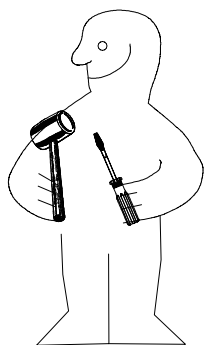
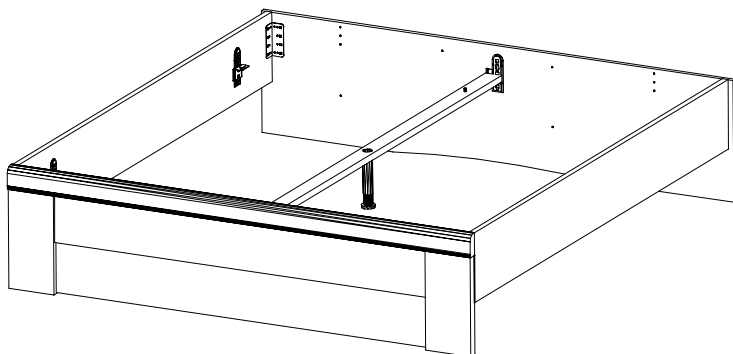


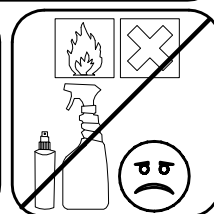
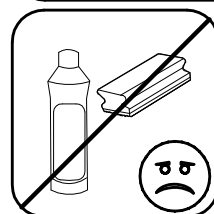
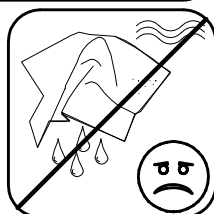
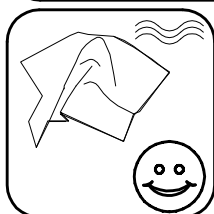
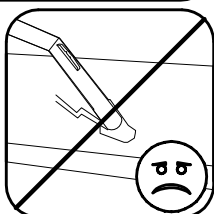
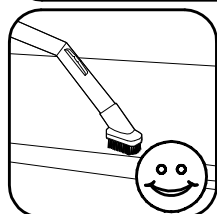
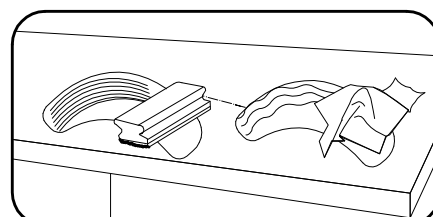
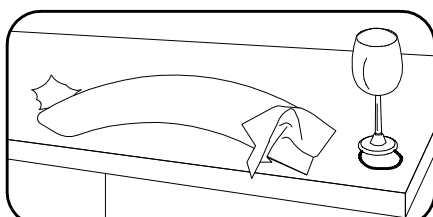
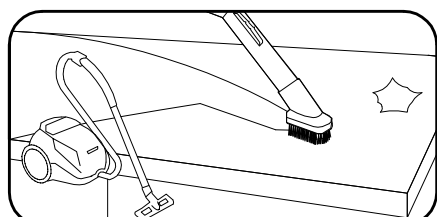
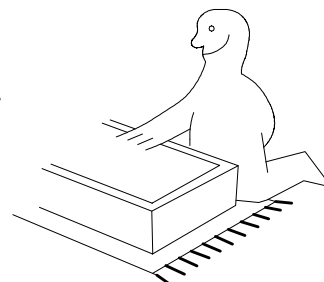
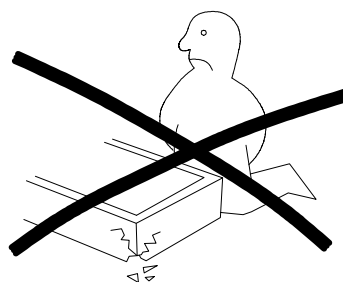
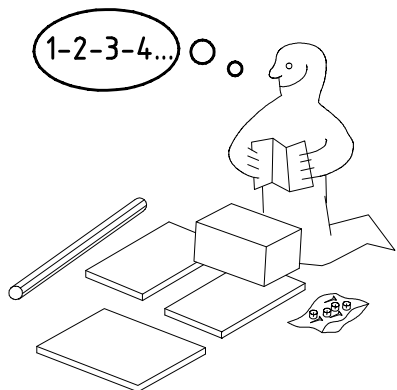
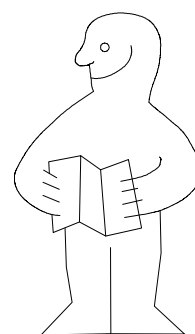
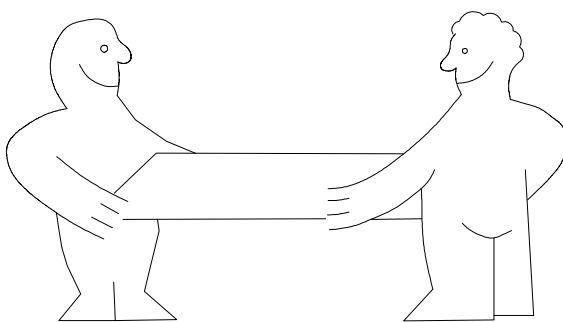
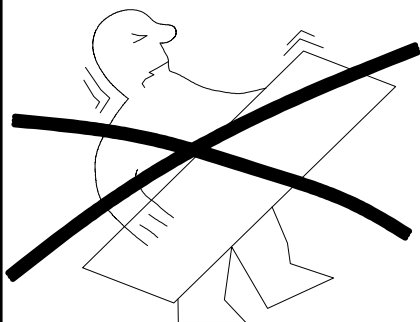
980422

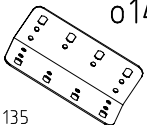
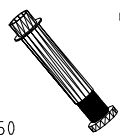
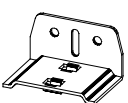
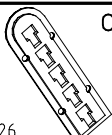





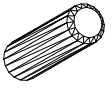
MONTÁŽNÍ/MONTÁŽNY NÁVOD


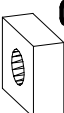
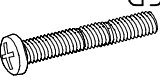
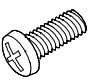


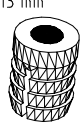

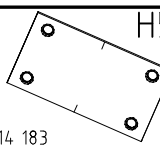

BS 260 uni

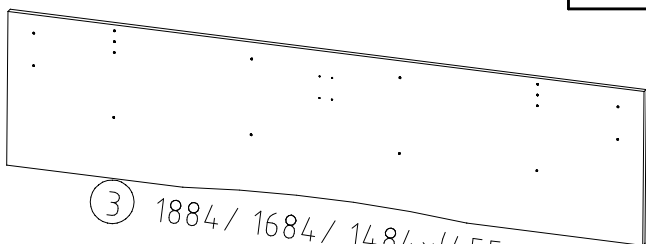
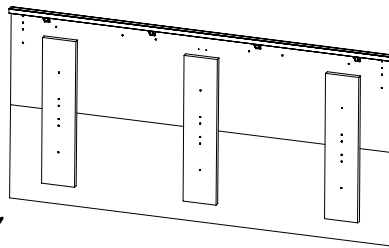
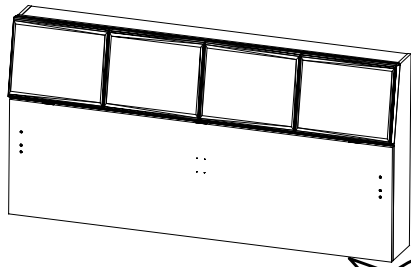
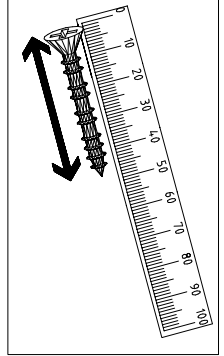
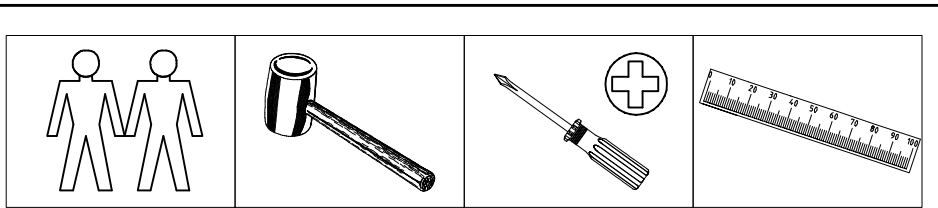
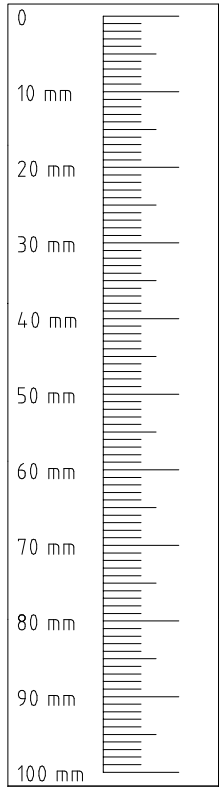


 111 135	o14 4x
 111650	o9 1x
 111 627	o7 6x
 111 626	o6 6x

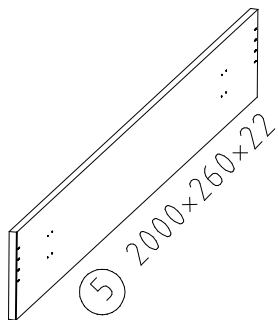
 121 130	4 X 20 mm G22 16x
 121 110	4,0 x 15 mm G23 16x
 121 121	4 X 20mm SP20 16x
 353 018	D ø8 x 30 2x

 129 407	US ø12 4x
 121 150	G6 4x
 121 149	5,0 x 35 mm G51 4x
 121 148	6,0 x 12 mm G4 6x

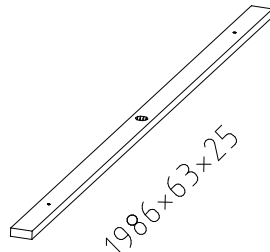
 111 112	ø 10 x 13 mm H 6x
 121128	SP30 4 X 30mm 6x
 114 183	H5 3x
 121 122	SP13 4 X 13mm 12x



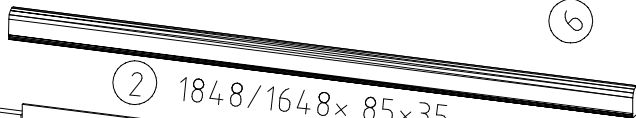
③ 1884 / 1684 / 1484 x (455 x 18)



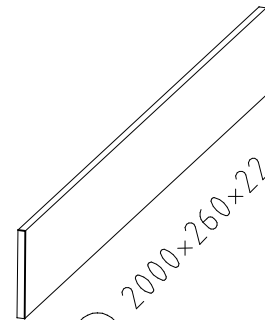
⑤ 2000 x 260 x 22



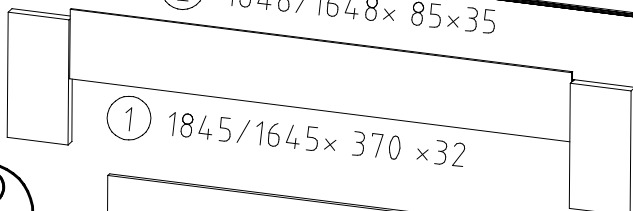
⑥ 1986 x 63 x 25



② 1848 / 1648 x 85 x 35



⑤ 2000 x 260 x 22

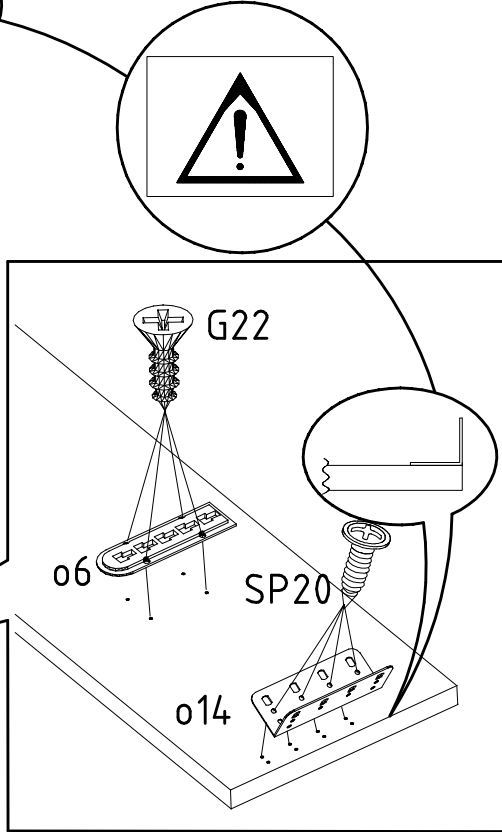
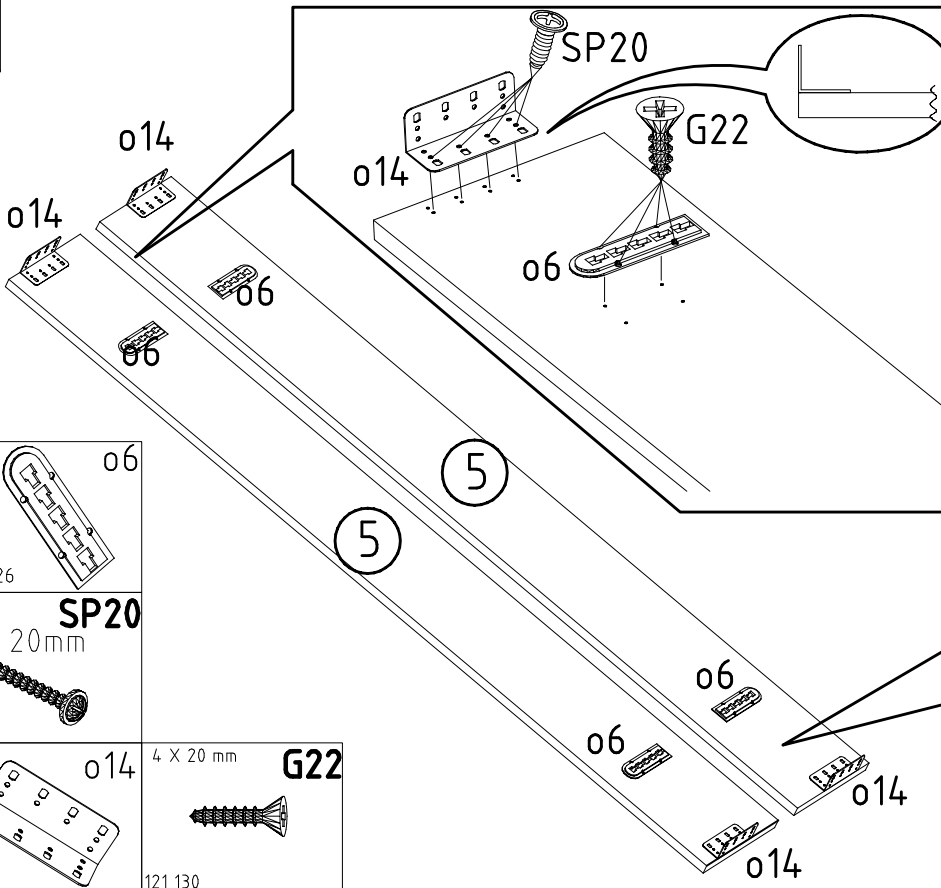


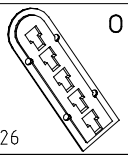

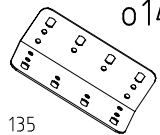

① 1845 / 1645 x 370 x 32



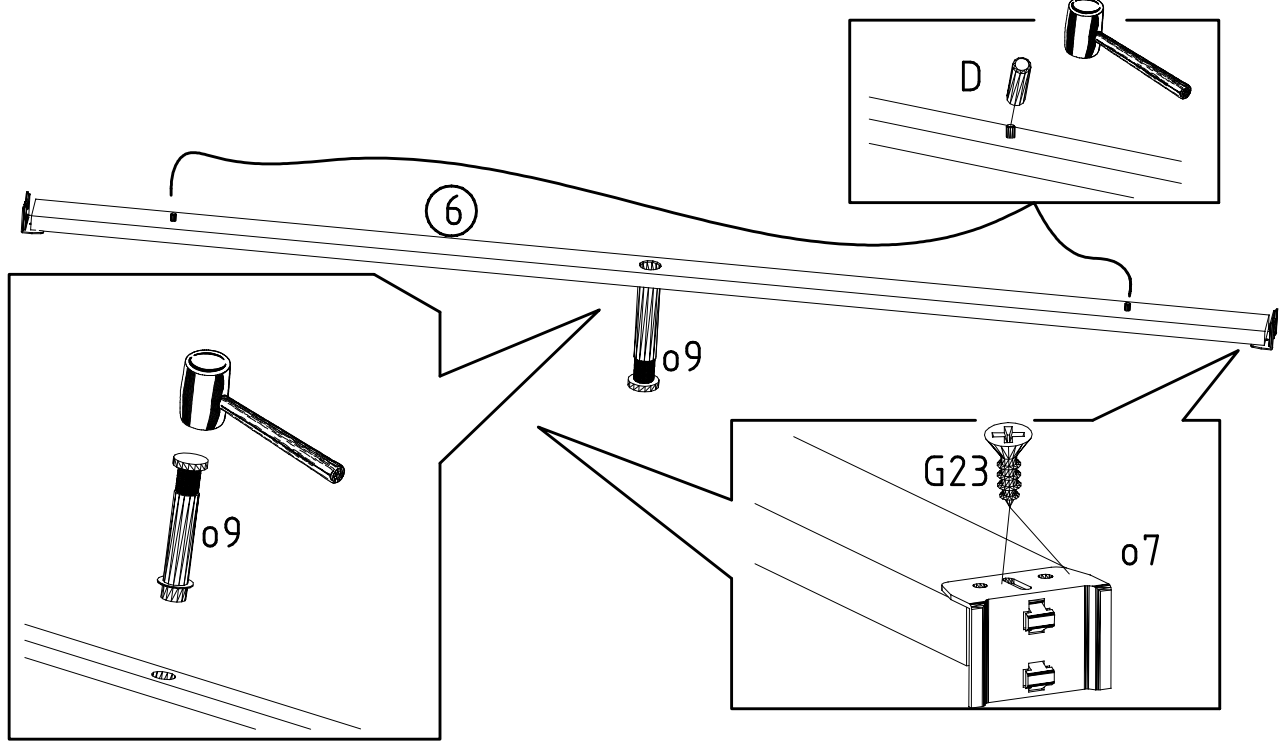
④ 1483 / 1283 x 189 x 15

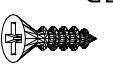
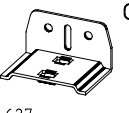
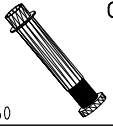
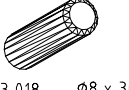
1



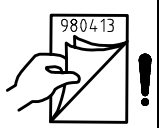
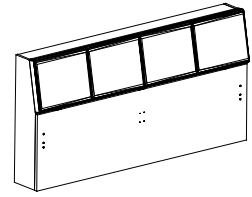
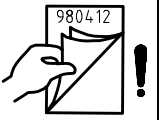
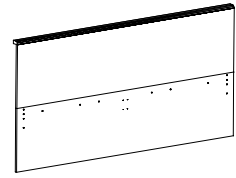
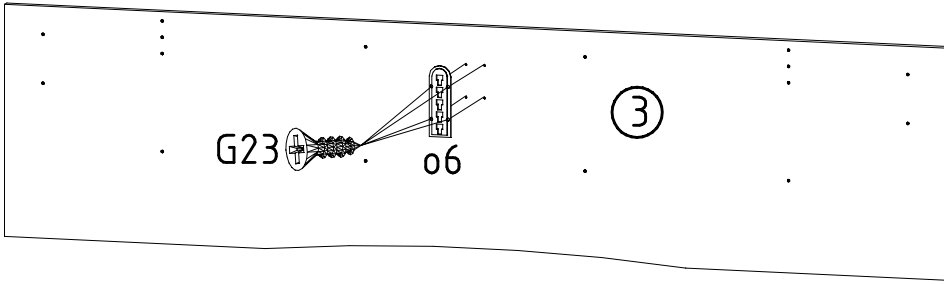
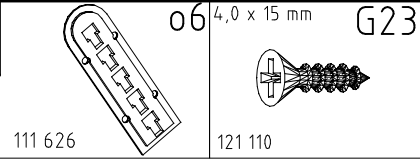
- 111 626  06
- 4 X 20mm **SP20**
121 121 
- 111 135  014
- 4 X 20 mm **G22**
121 130 

2

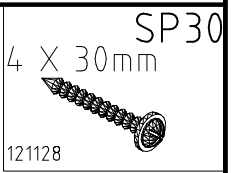
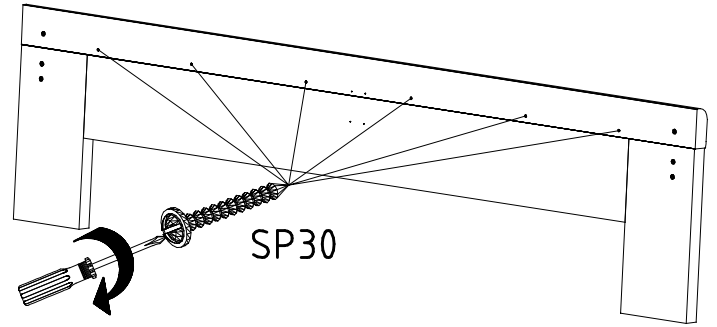
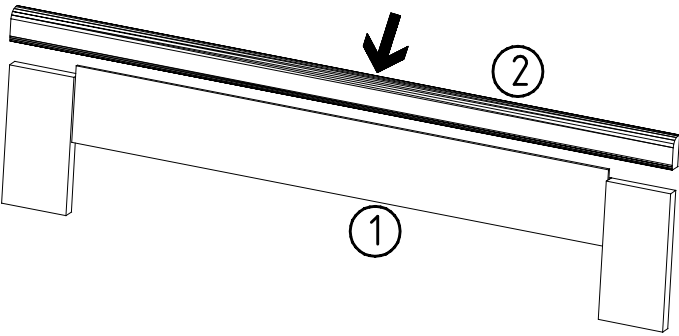


- 4,0 x 15 mm **G23**
121 110 
- 111 627  07
- 111650  09
- 353 018  D $\phi 8 \times 30$

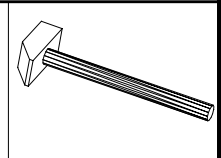
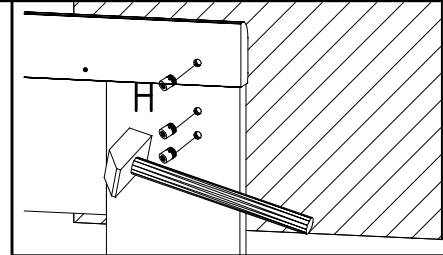
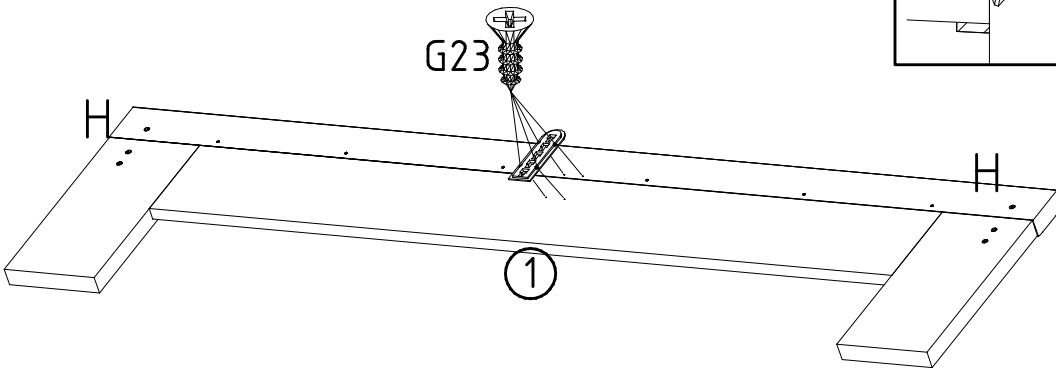
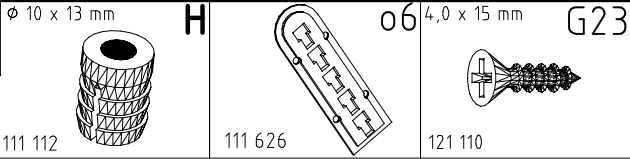
3



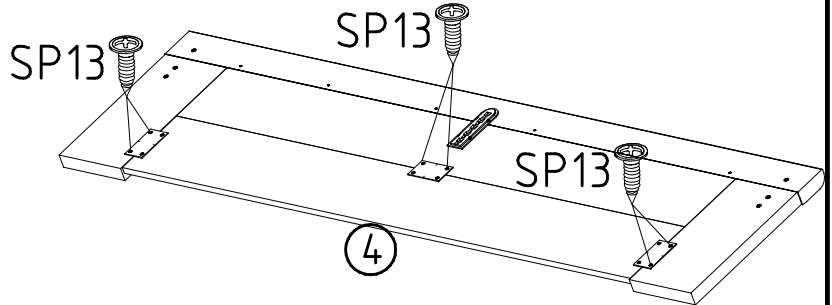
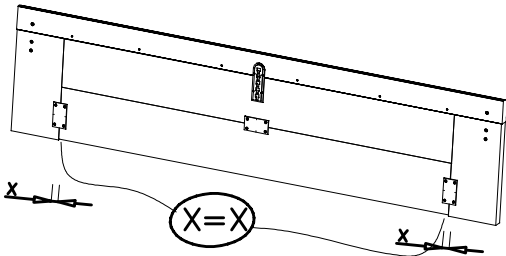
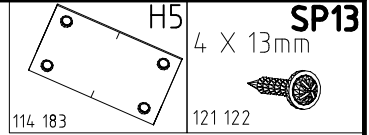
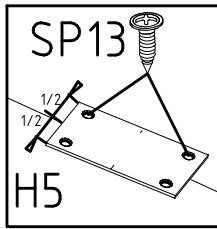
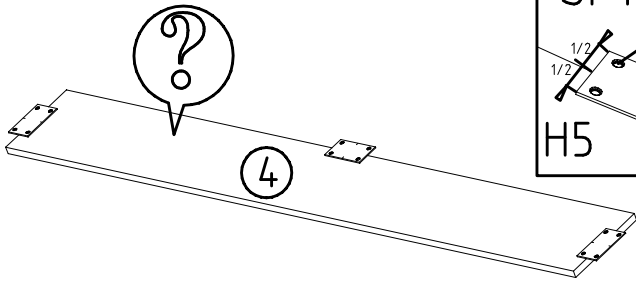
4



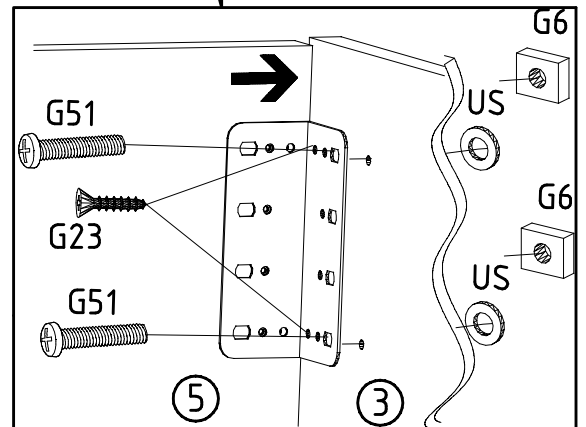
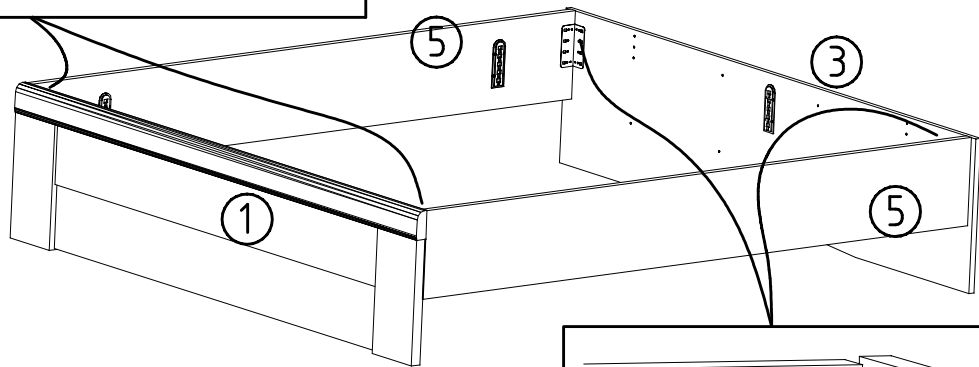
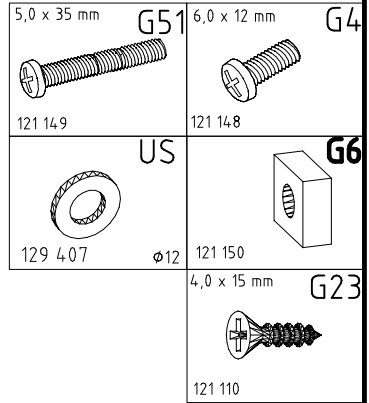
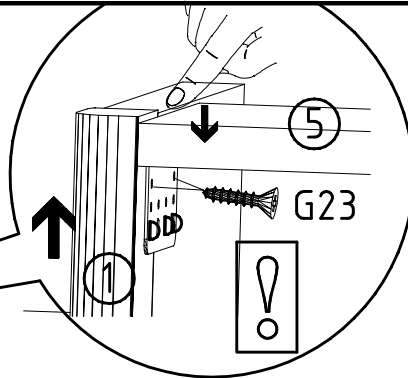
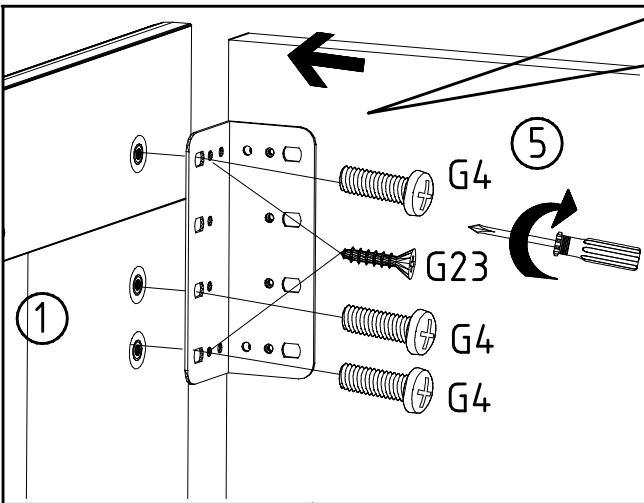
5

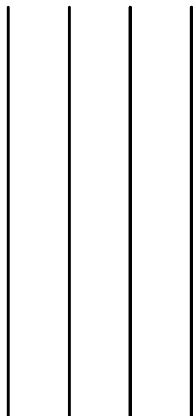
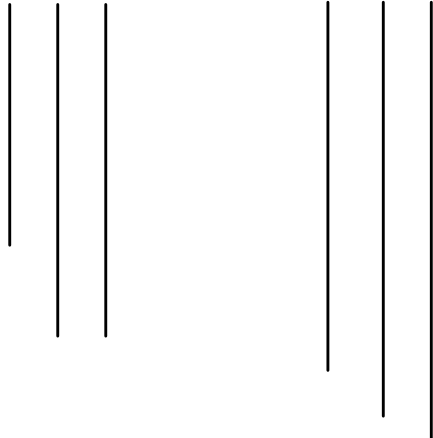
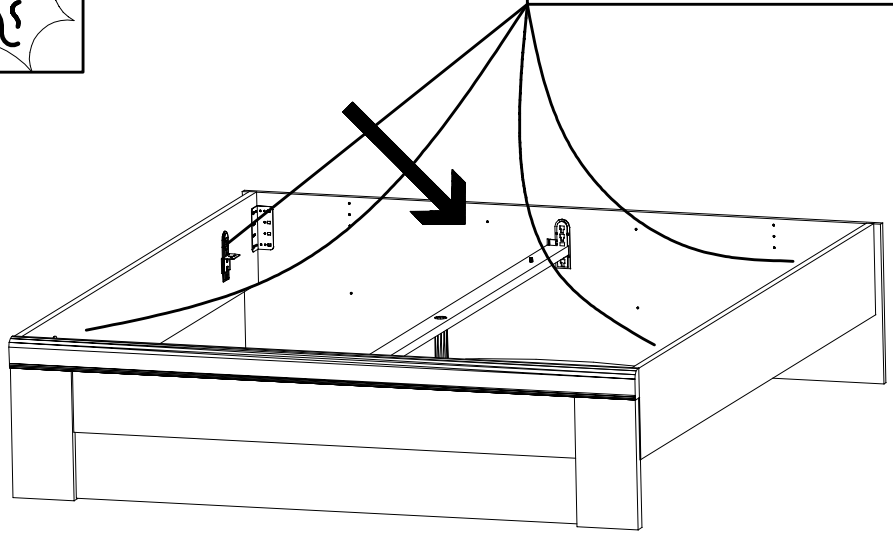
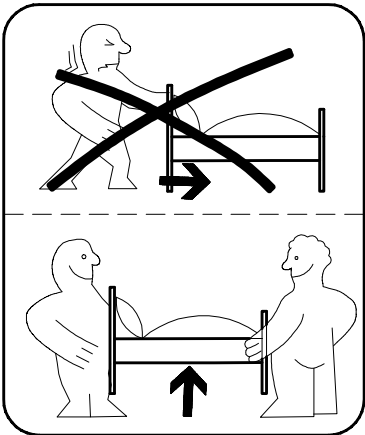
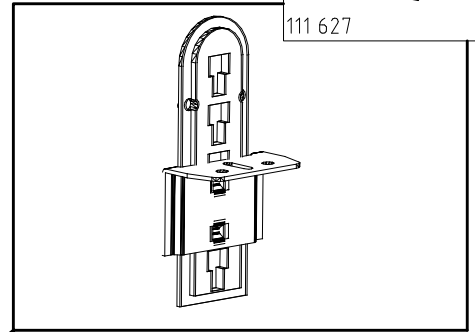
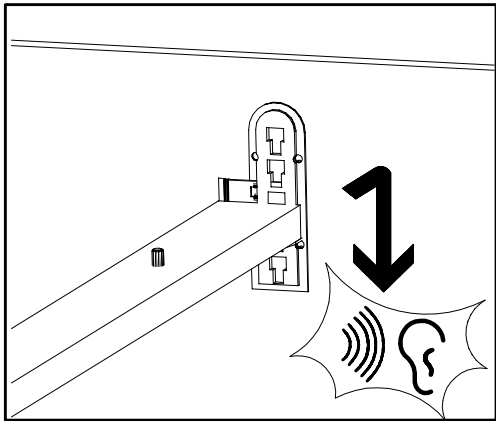
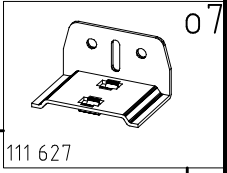


6



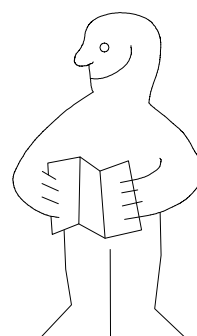
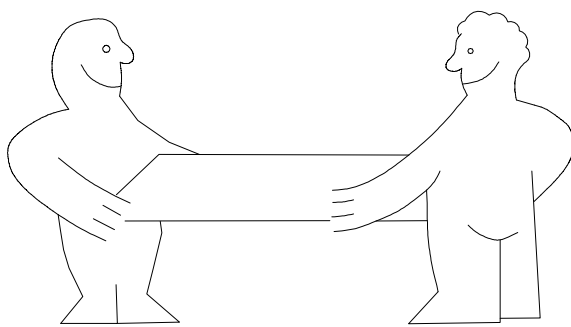
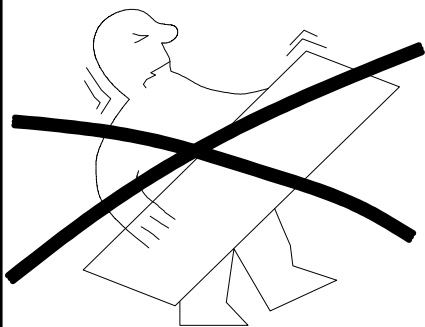
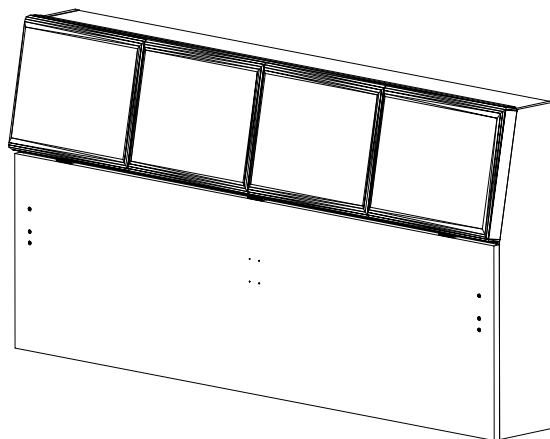
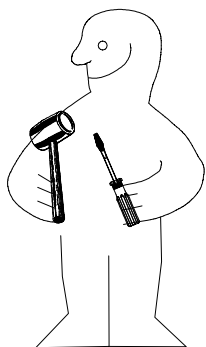
7



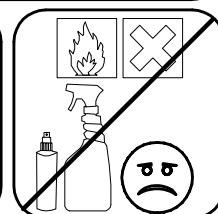
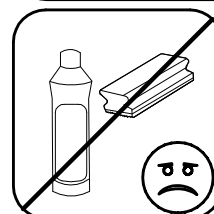
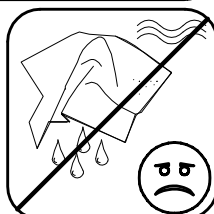
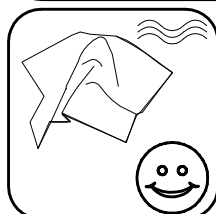
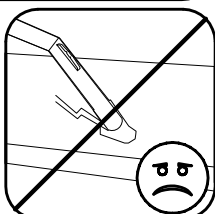
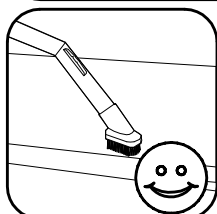
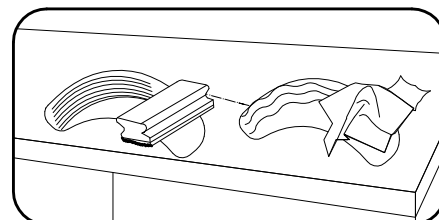
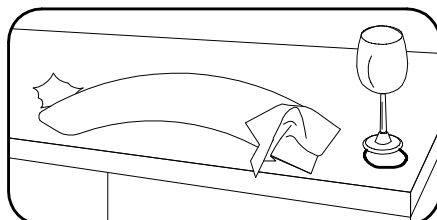
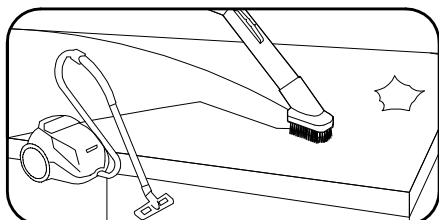
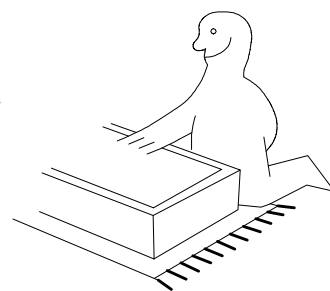
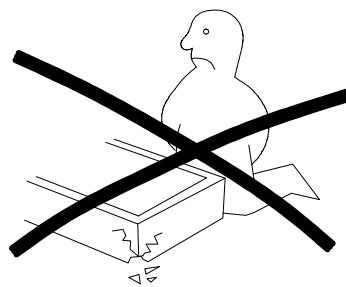
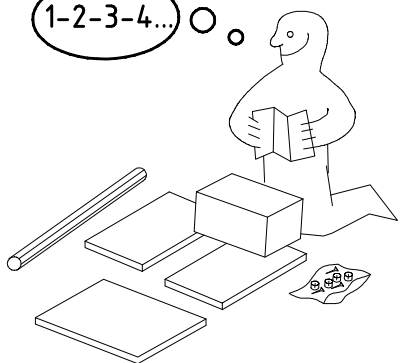



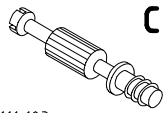

MONTÁŽNÍ/MONTÁŽNY NÁVOD


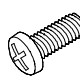

980413



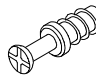


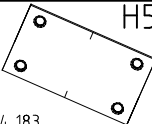

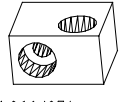
1-2-3-4...

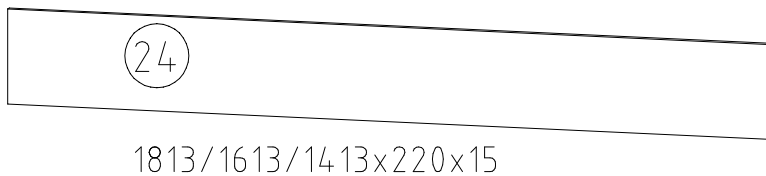
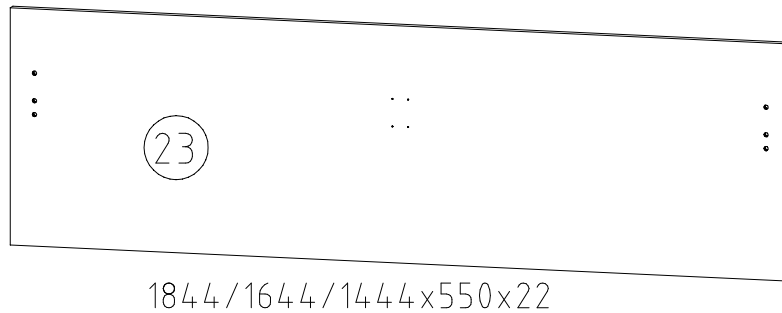
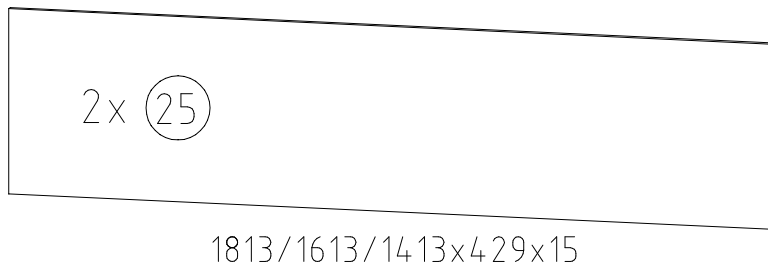
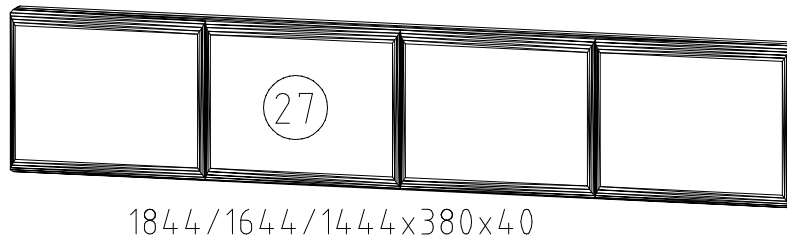
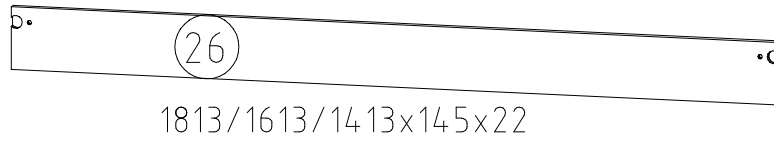
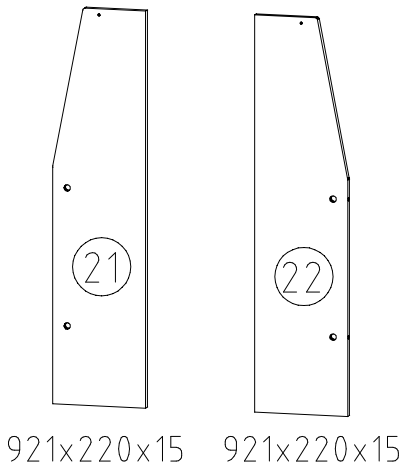
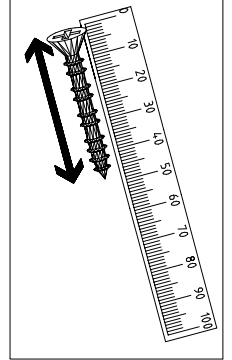
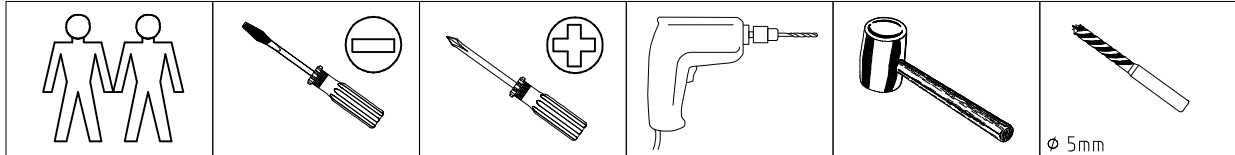
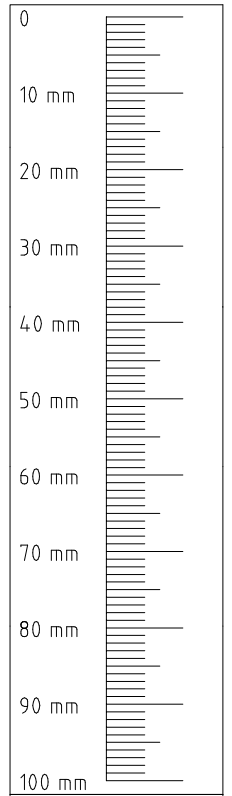


 111 102	A 4 x
 111 103	C 4 x
 121 120	SP15 4 X 15mm 24 x

 111 112	H 6 x
 121 148	G4 6,0 x 12 mm 6 x
 121117	SP23 4 X 23 mm 40 x

 111 252	SG 25 4 x
 111 252	VB23 2 x
 111 229	F 2 x

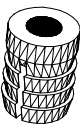
 114 183	H5 3 x
 111 xxx	N-K 3 x
 111 066/074	U 18 x



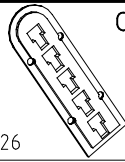
1

∅ 10 x 13 mm

H

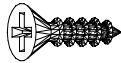


111 112

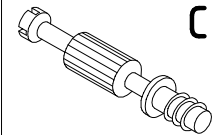
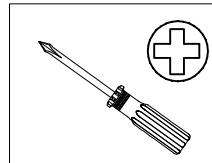
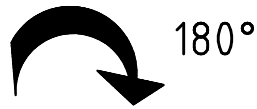
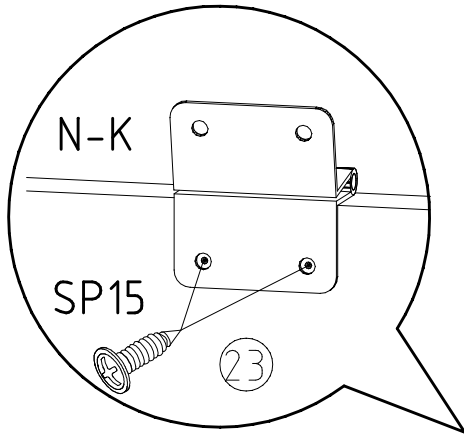
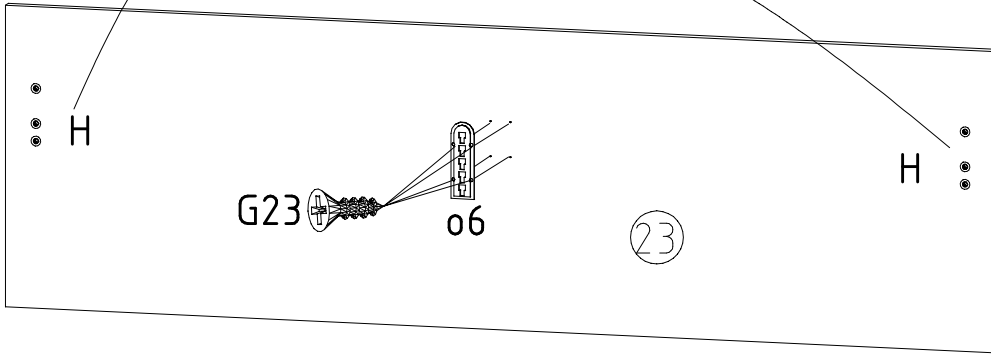
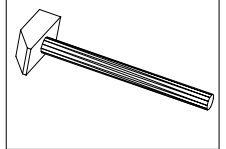
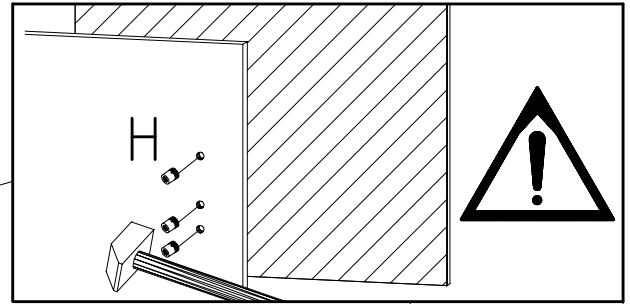
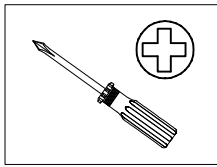


06 4,0 x 15 mm

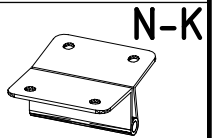
G23



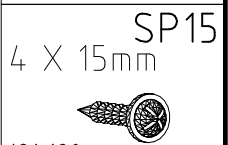
121 110



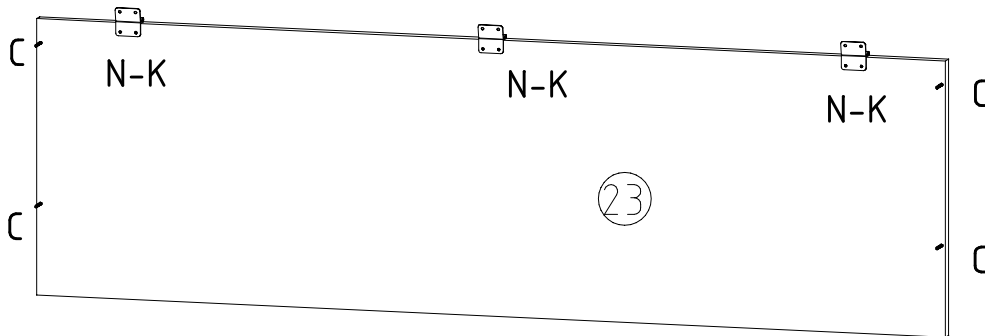
111 103



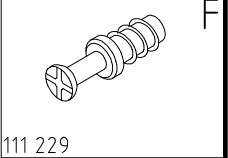
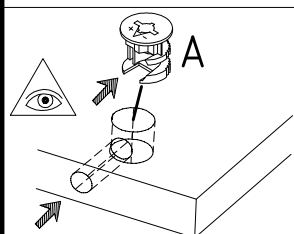
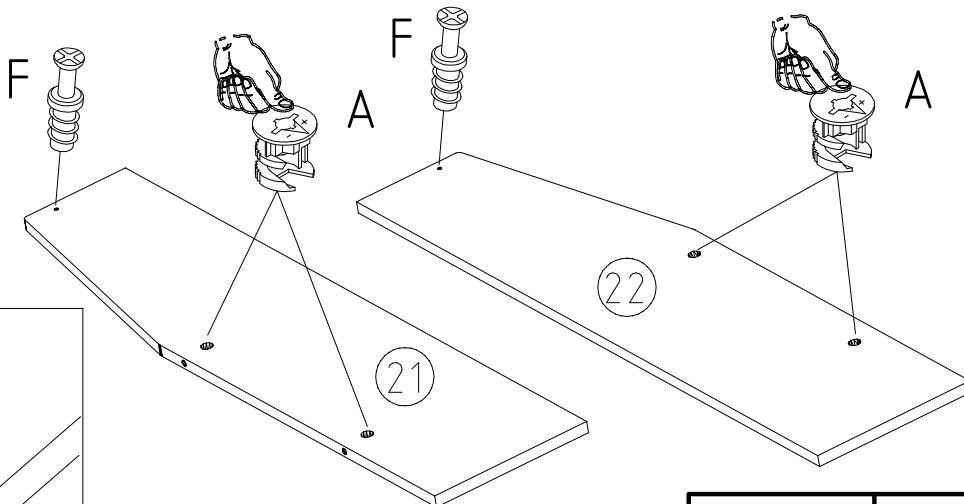
111 xxx



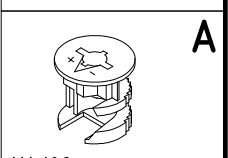
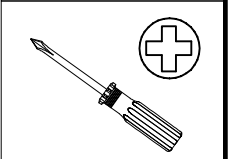
121 120



2



111 229



111 102

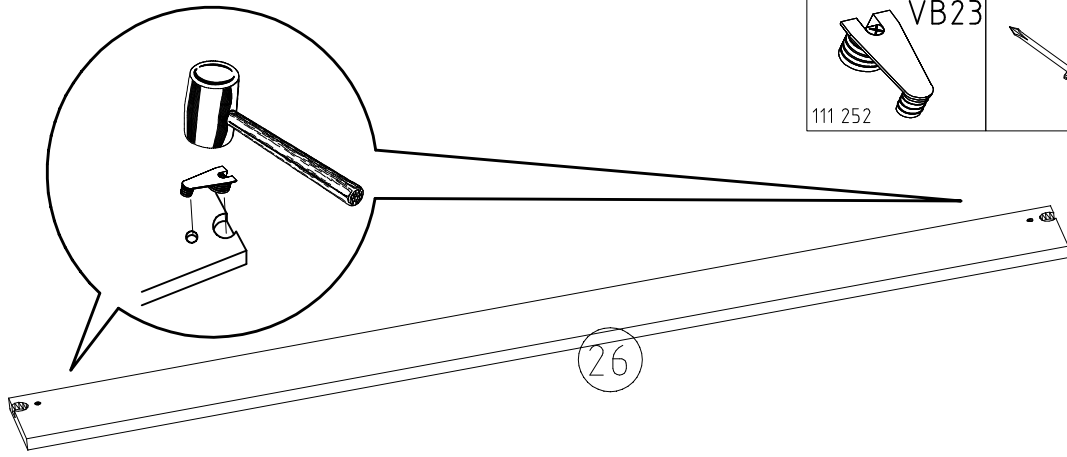
980413

17.06.16 / 27.03.20

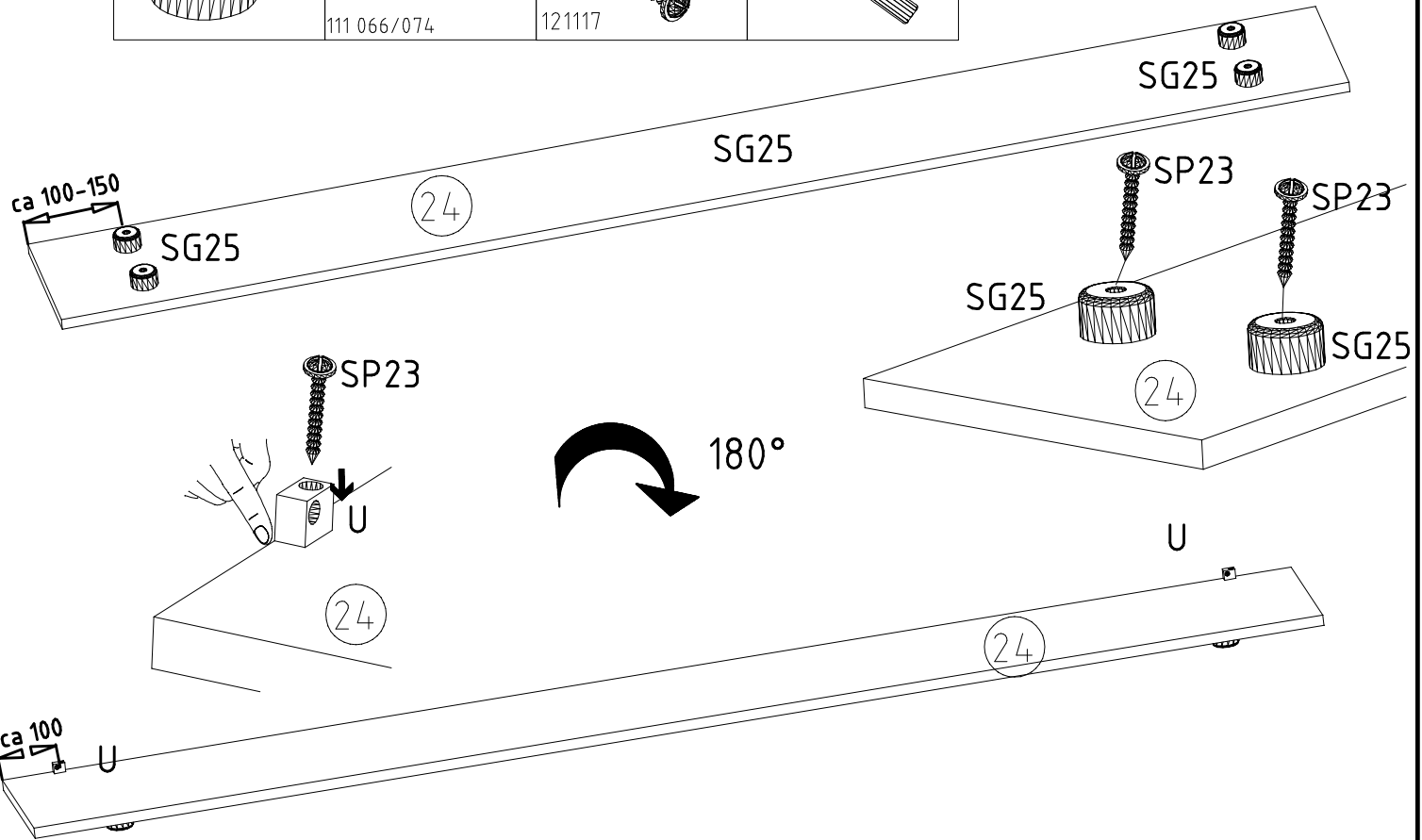
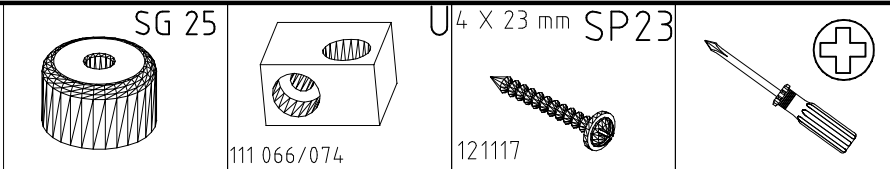
03 20

3/8

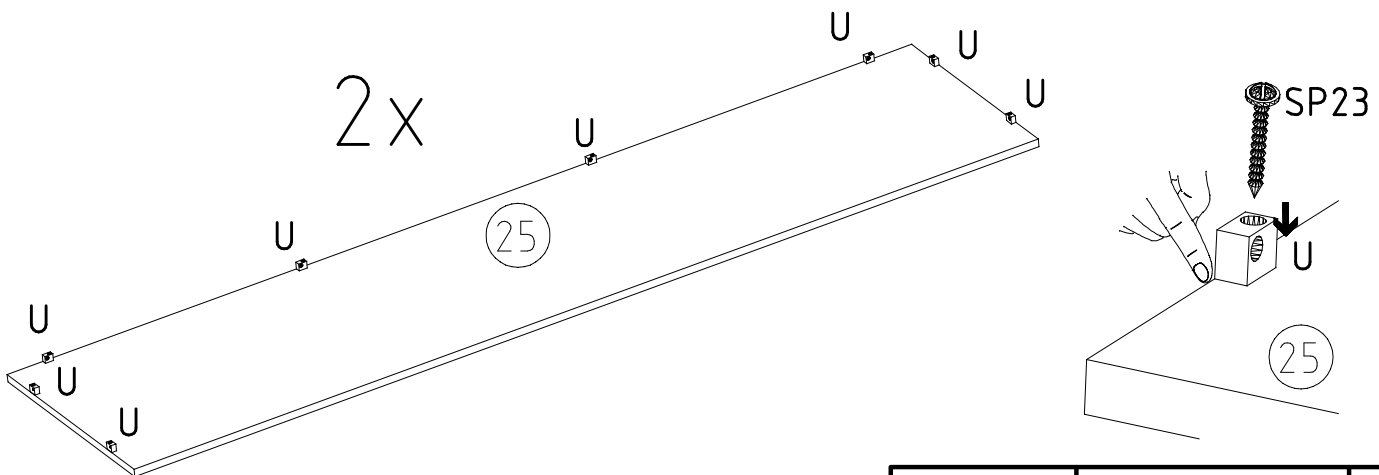
3



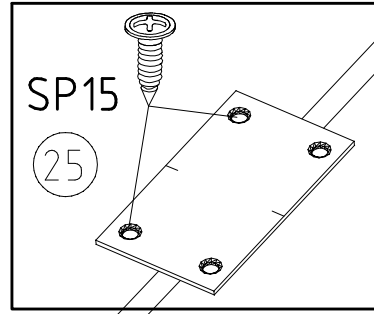
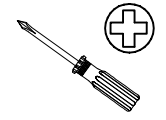
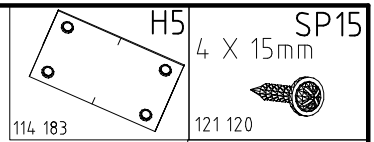
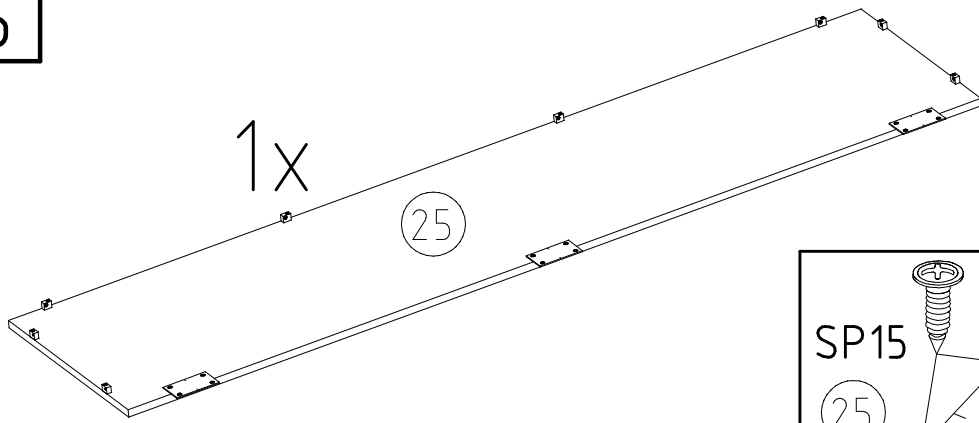
4



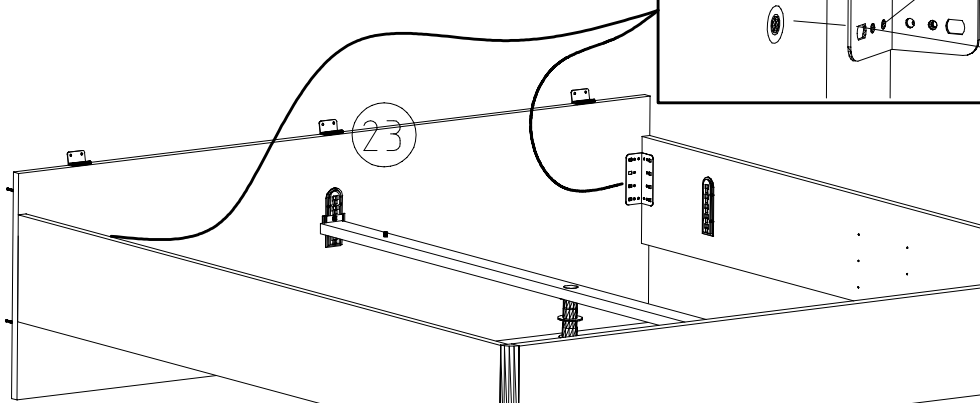
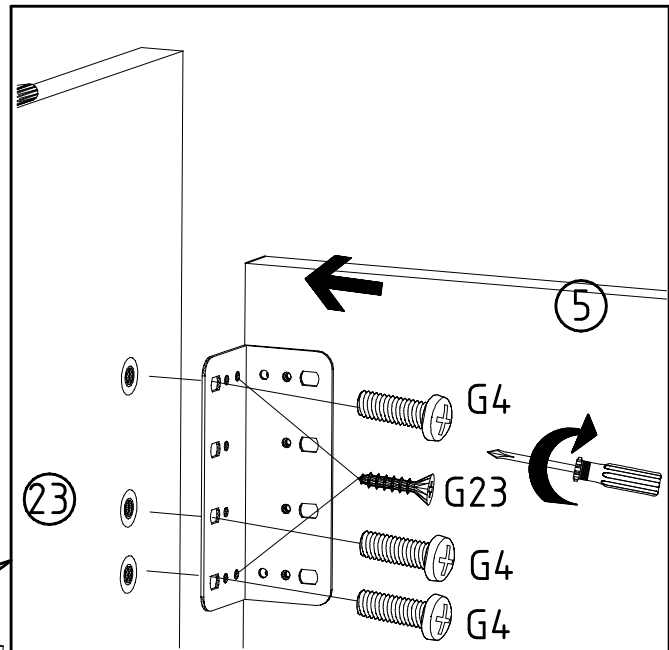
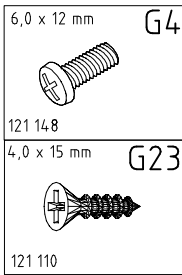
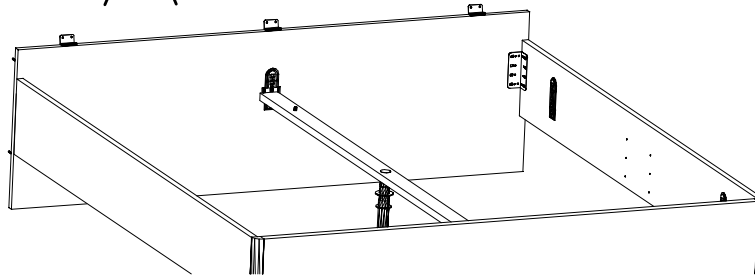
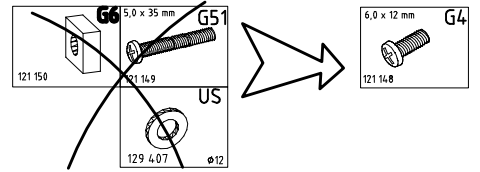
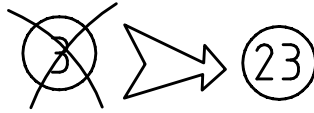
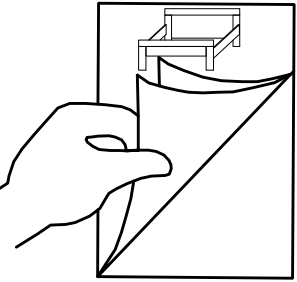
5



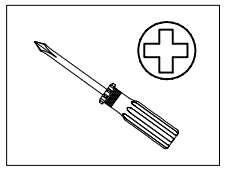
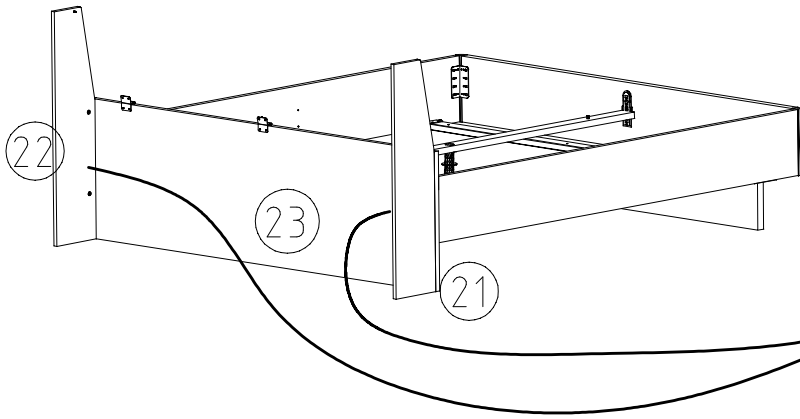
6



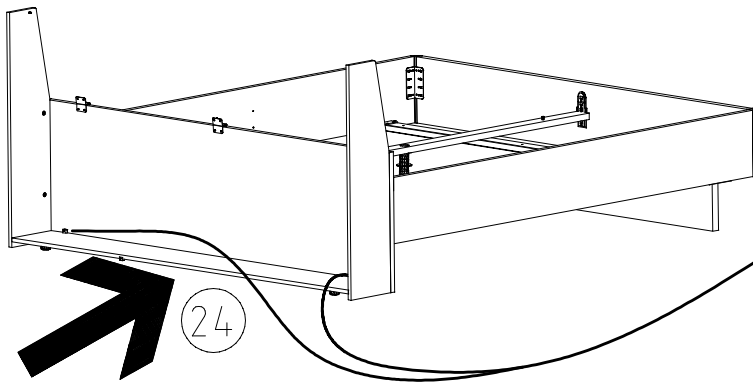
7



8

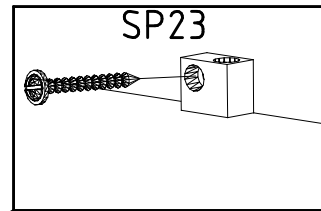
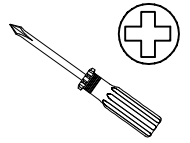


9

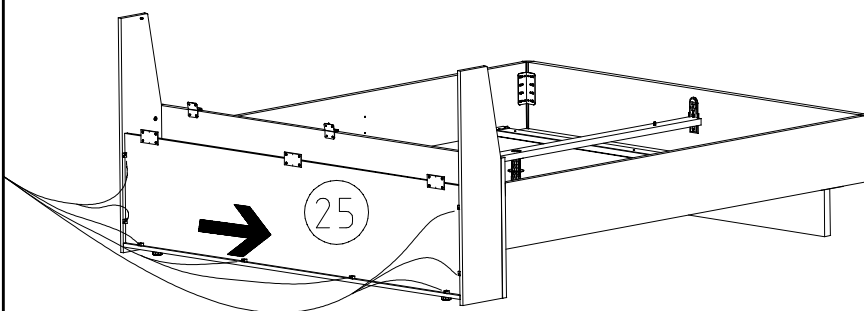
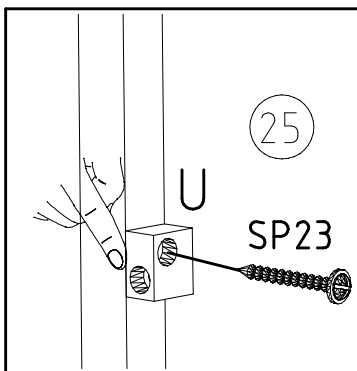


4 X 23 mm SP23

121117



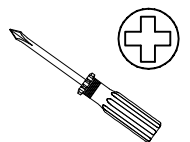
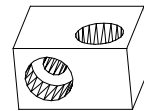
10



111 066/074

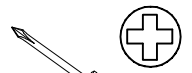
U 4 X 23 mm SP23

121117

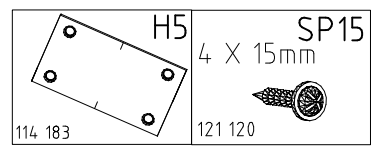
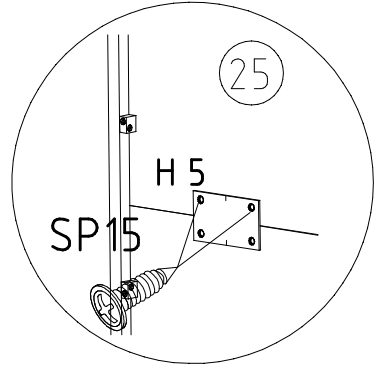
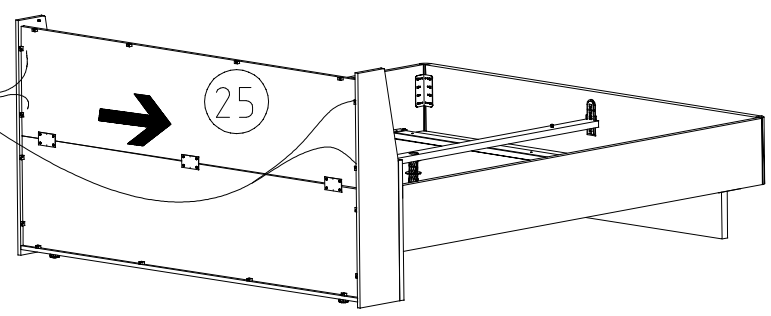
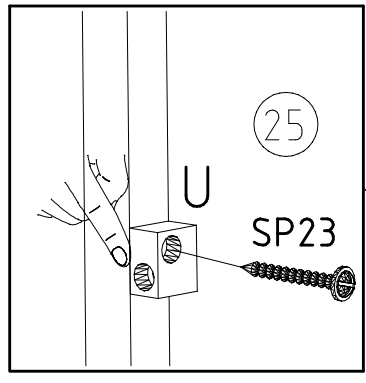


11

4 X 23 mm SP23

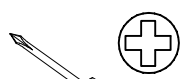


121117

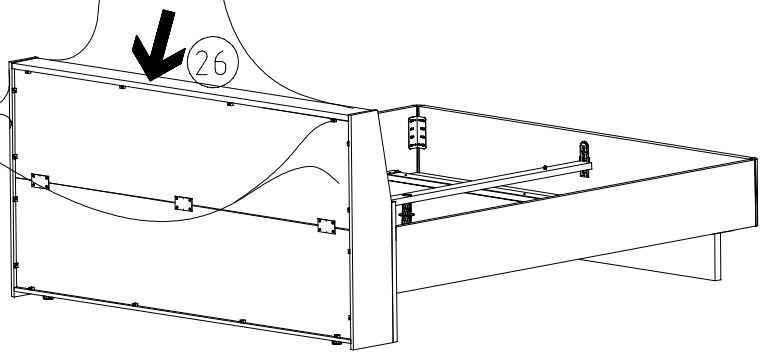
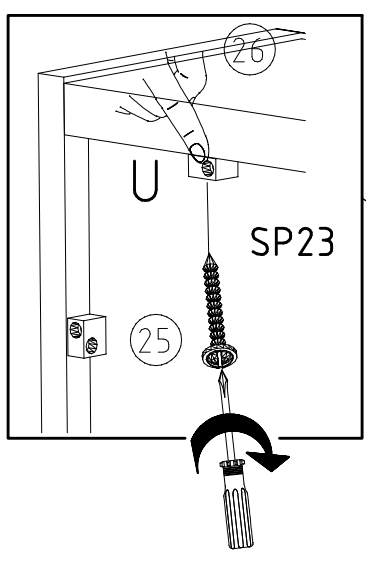
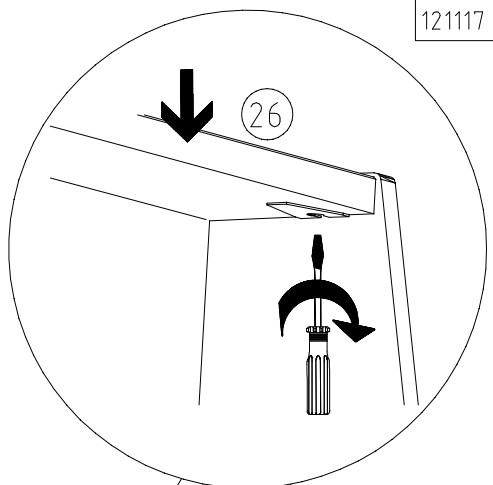


12

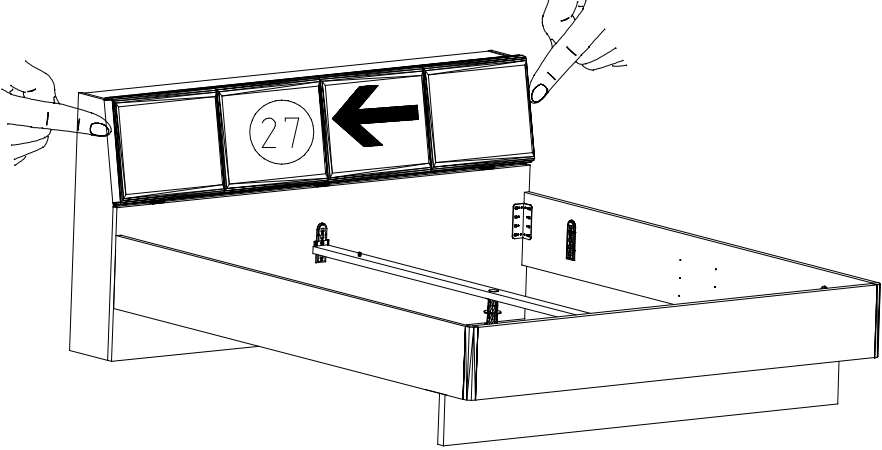
4 X 23 mm SP23



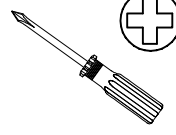
121117



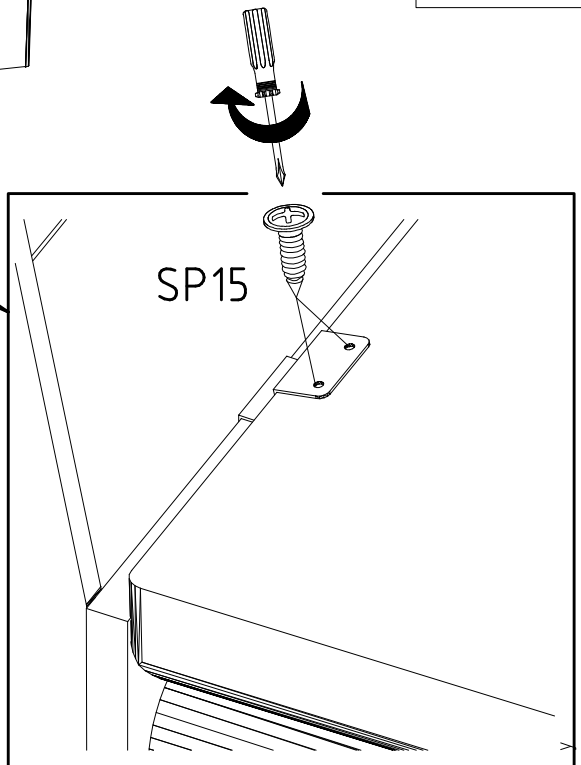
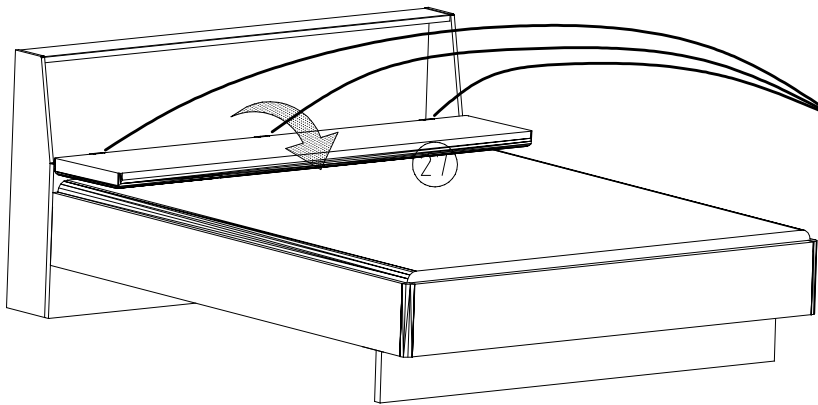

13



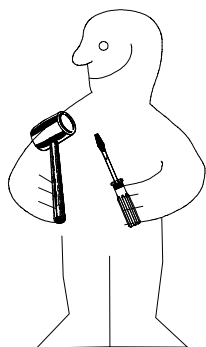
+



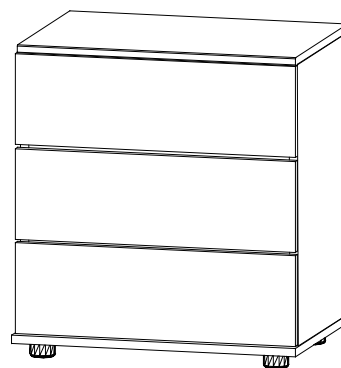
SP15
4 X 15mm
121 120



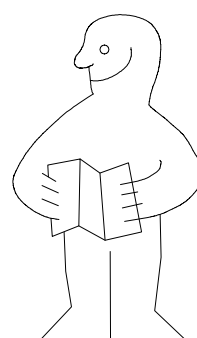
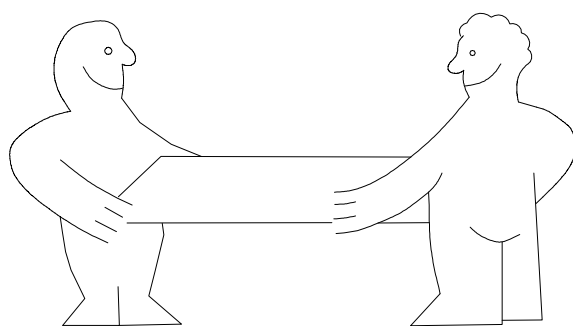
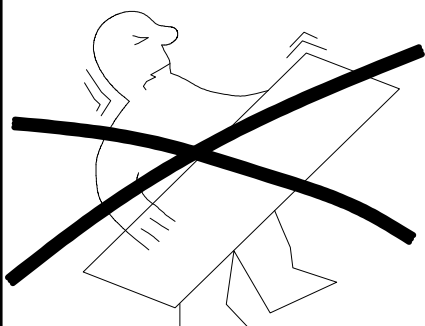
980103



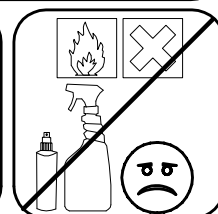
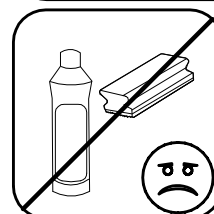
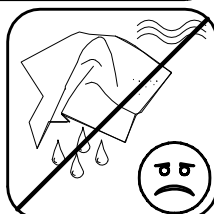
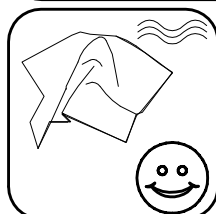
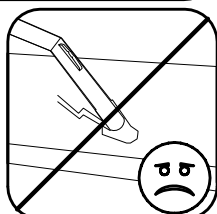
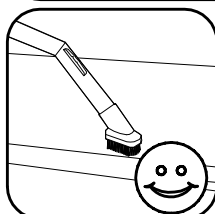
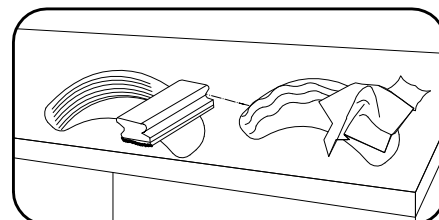
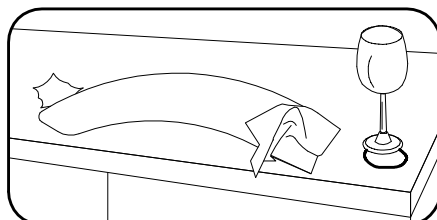
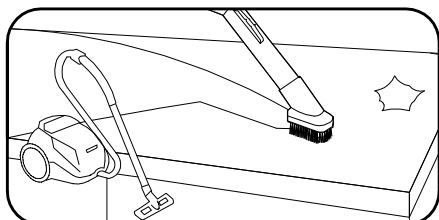
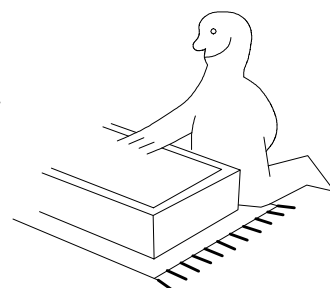
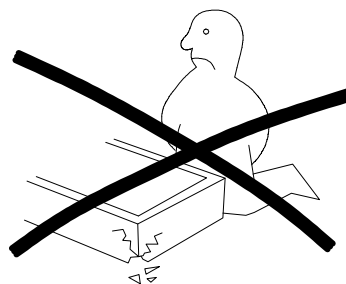
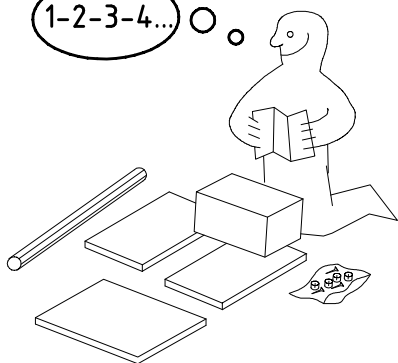
MONTÁŽNÍ/MONTÁŽNY NÁVOD



703



1-2-3-4...


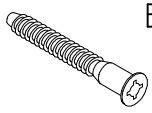
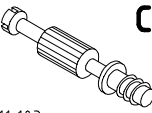


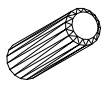
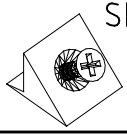

980103

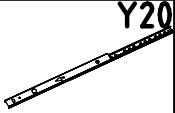
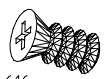
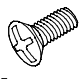
19.05.14 / 08.08.18

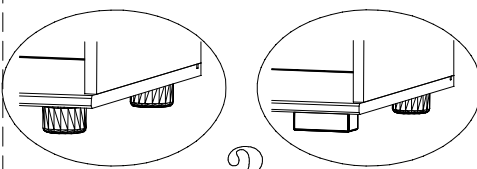
08 18



1/6


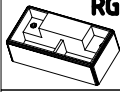

 111 102	A 4x
 111 609	B 4x
 111 103	C 4x

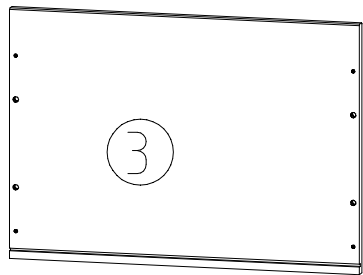
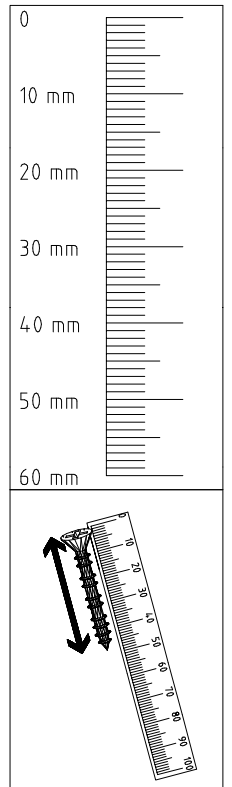
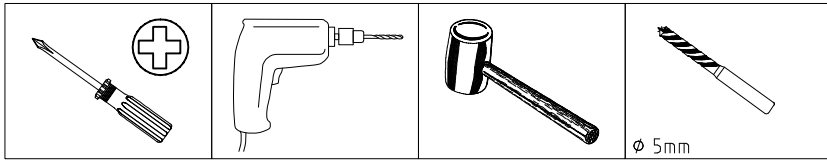
 353 018 $\phi 8 \times 30$	D 8x
 SBV	SBV 2x
 163 007	Z 2x

 112 190 M6 x 10	Y20 6x
 112 616 M4 x 9 mm	T3 12x
 111 015	G8 6x

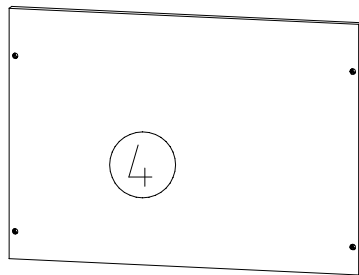


 4 X 23 mm SP23	SG 25 4x
 121117	4x

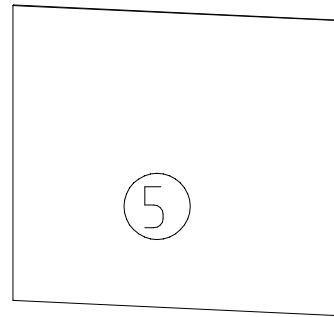
 4 X 23 mm SP23	SG 25 2x
 4 X 23 mm SP23	RG 2x
 121117	6x



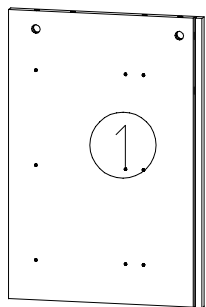
520x365x15



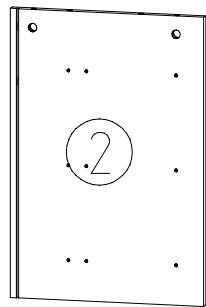
520x365x15



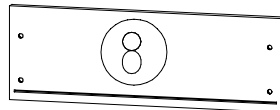
515x496x2,5



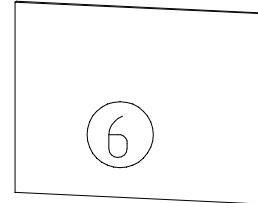
506x345x15



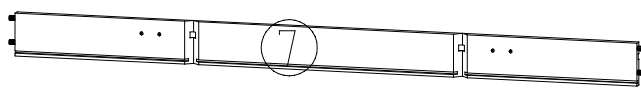
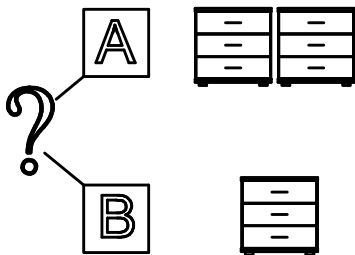
506x345x15



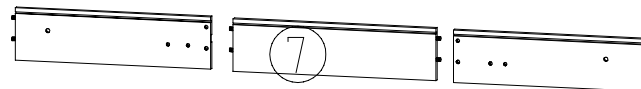
3x 513x163x15



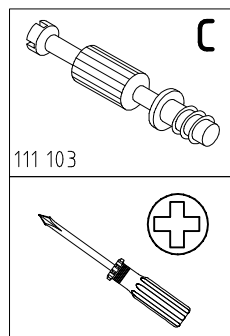
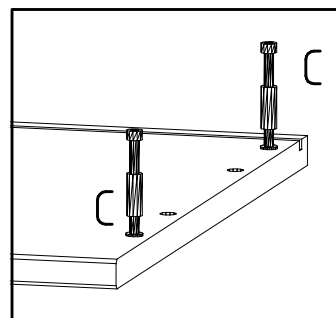
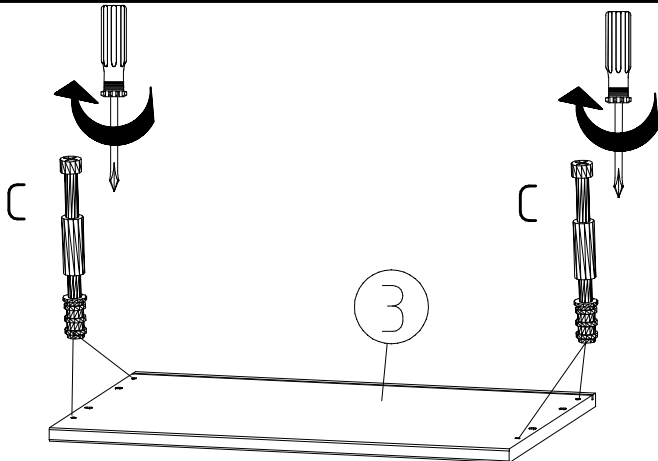
3x 465x315x2,5



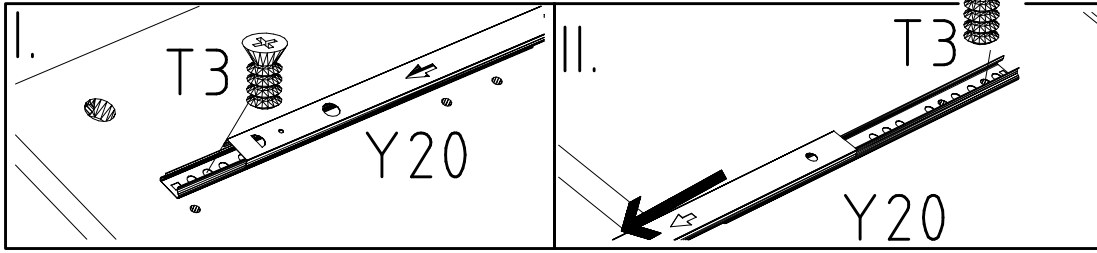
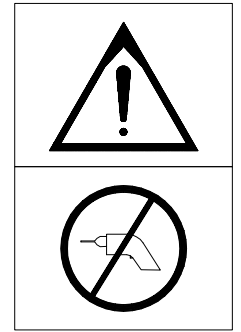
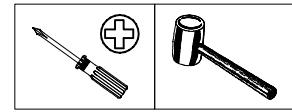
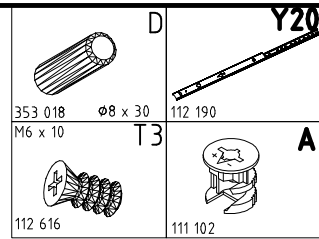
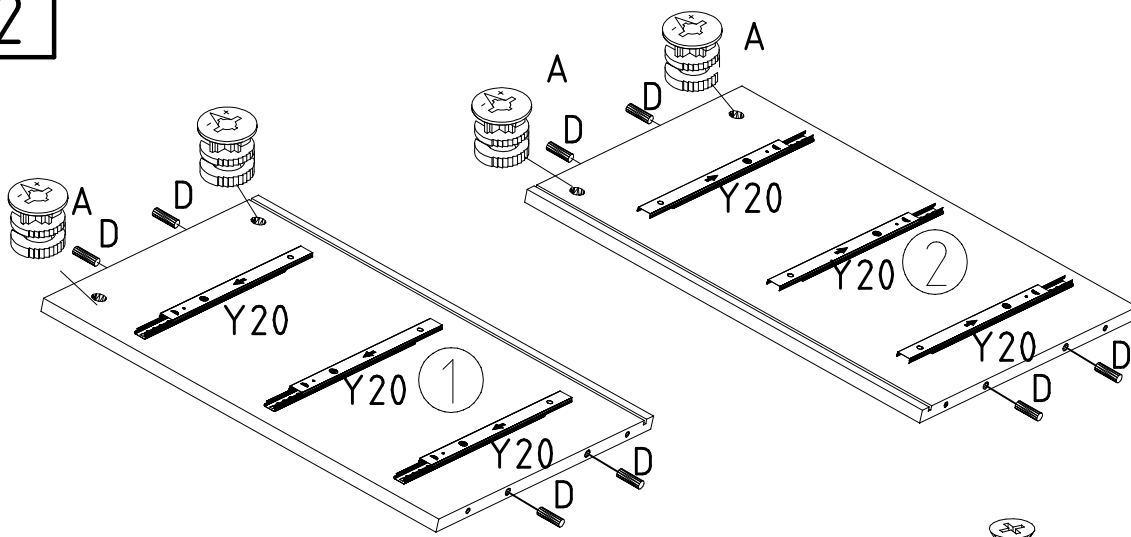
3x 316/480 / 316x75x12



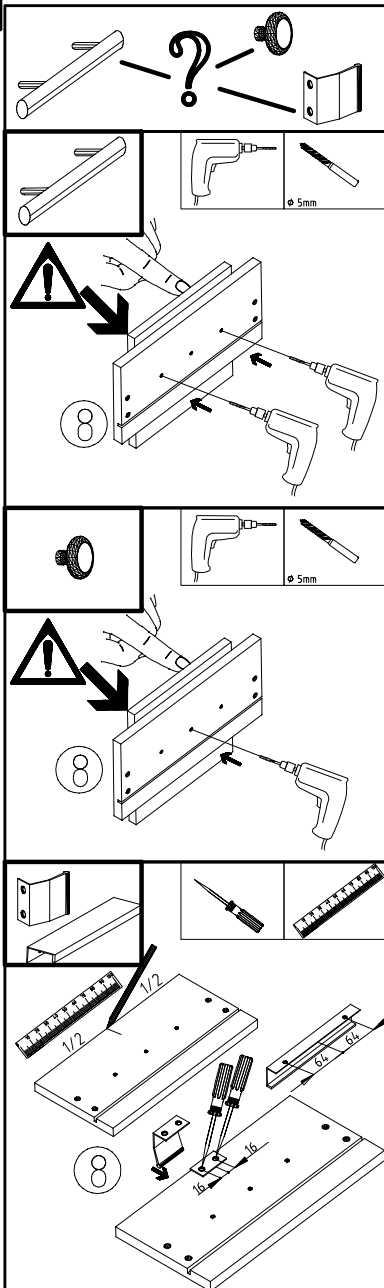
1



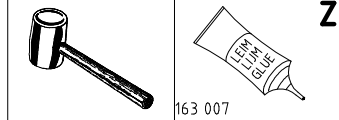
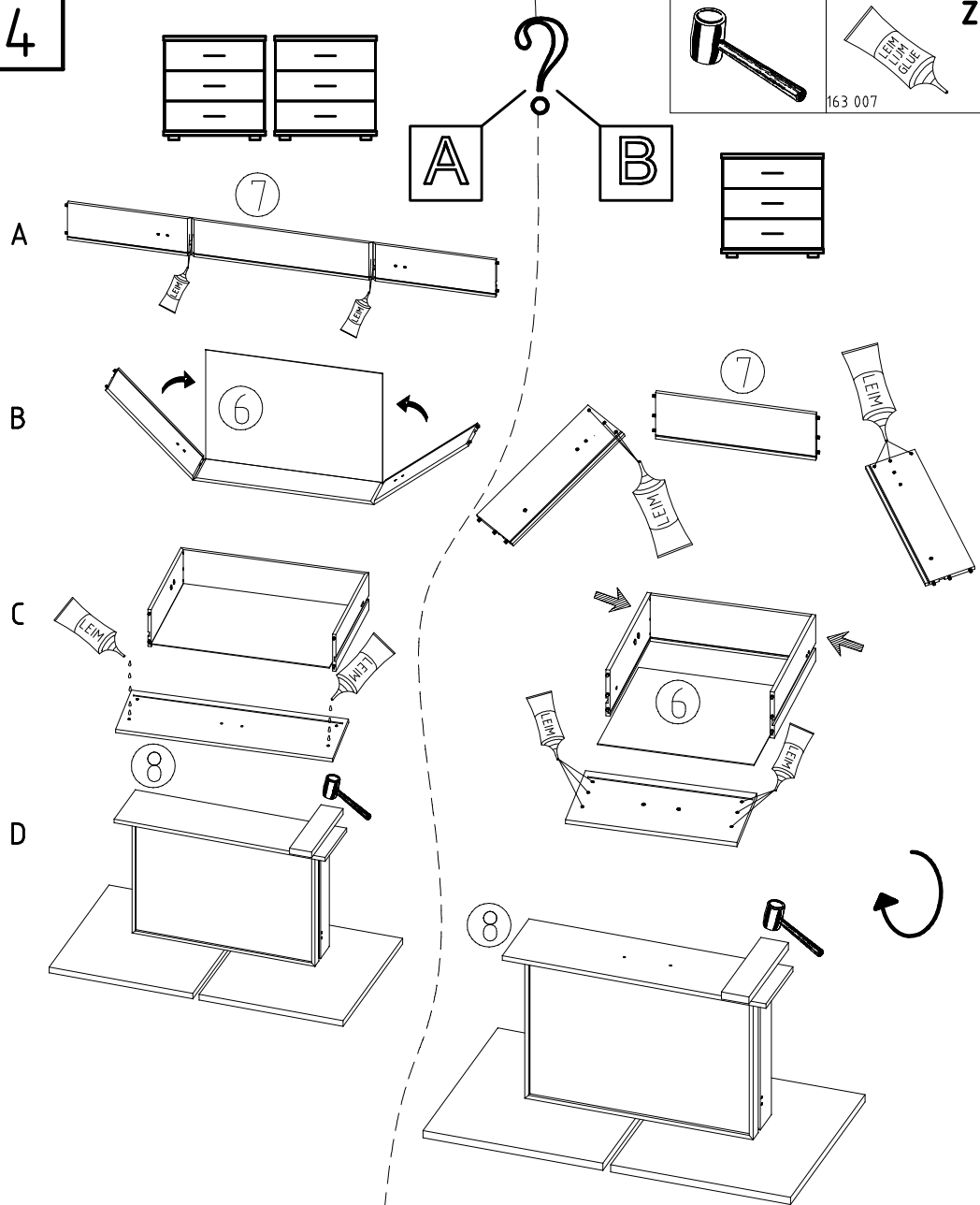
2

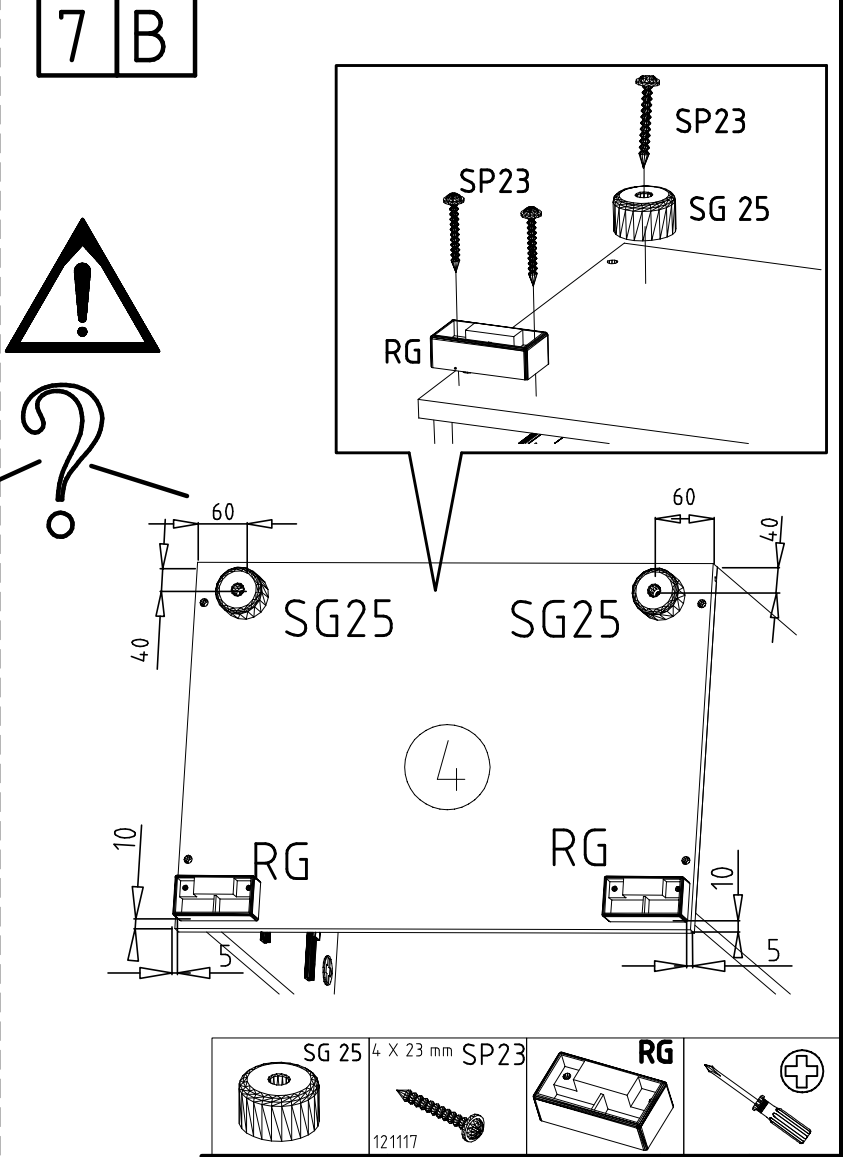
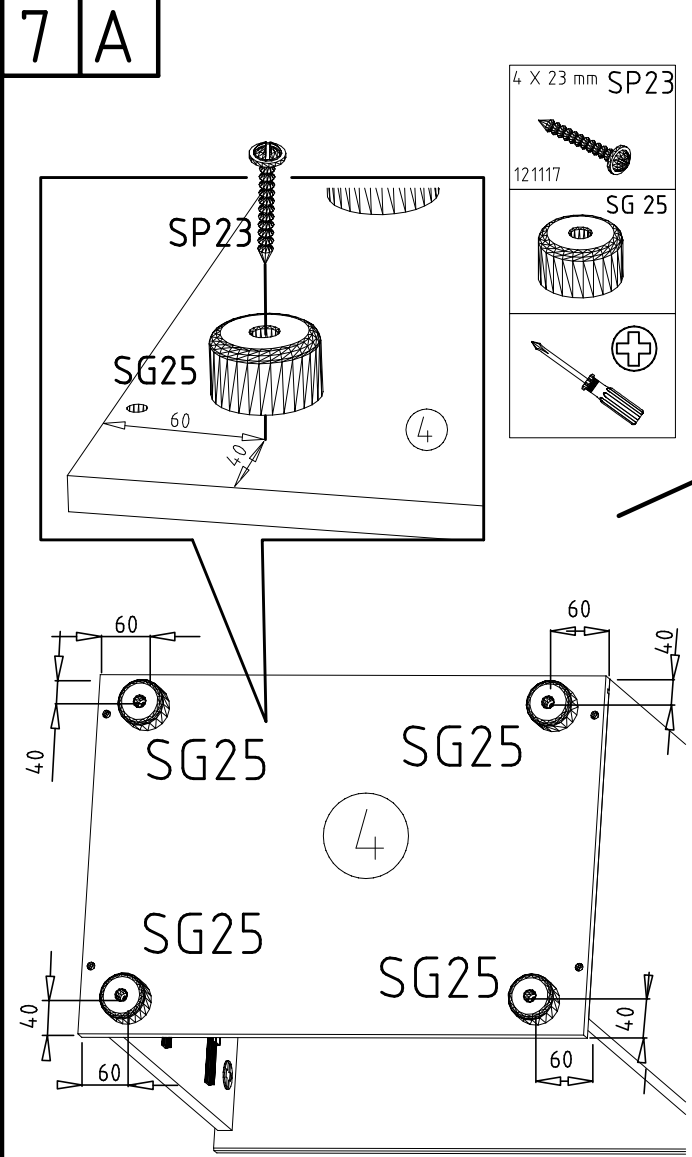
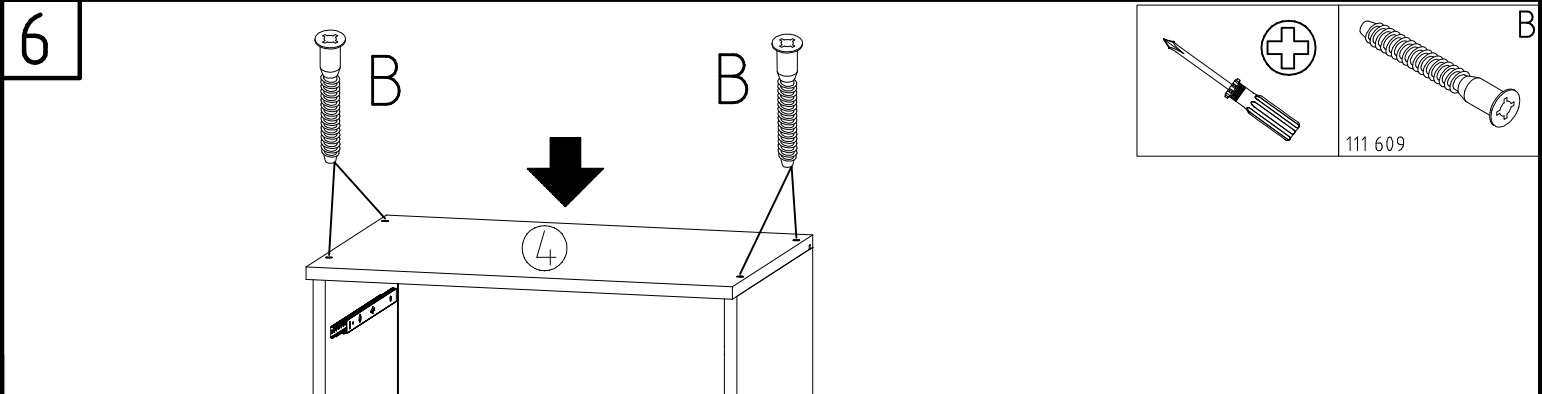
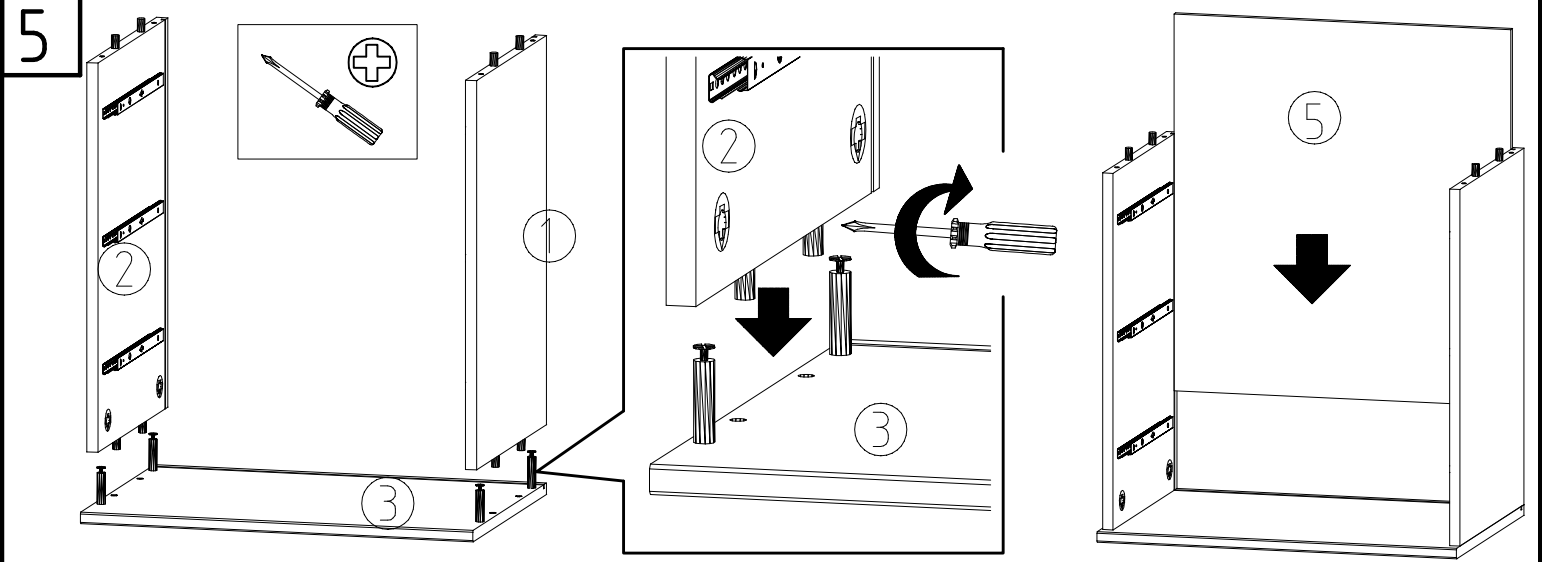


3

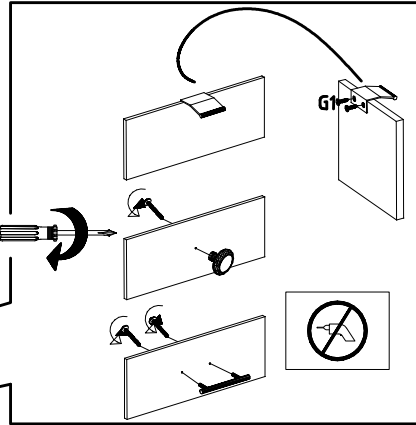
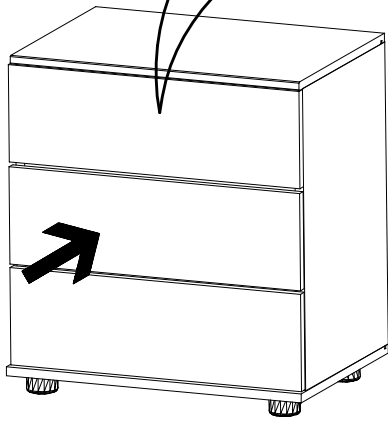
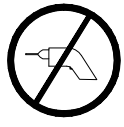


4

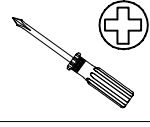




8



9

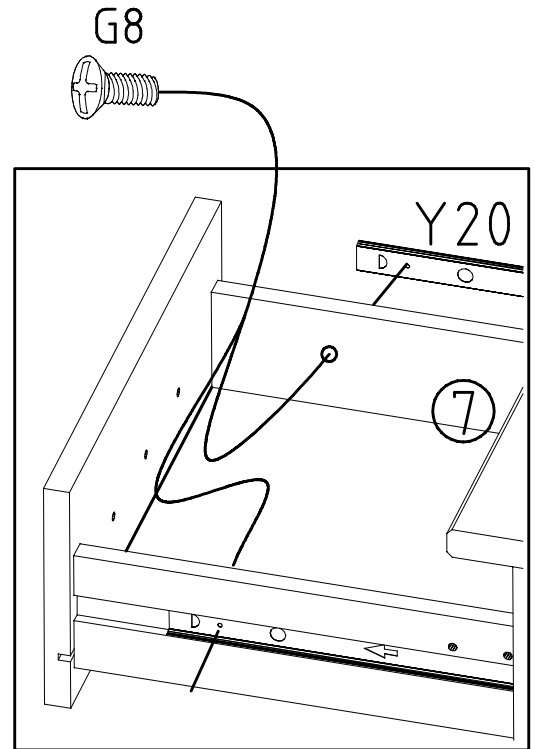


M4 x 9 mm

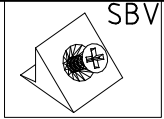
G8



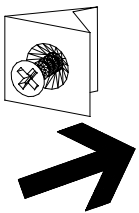
111 015



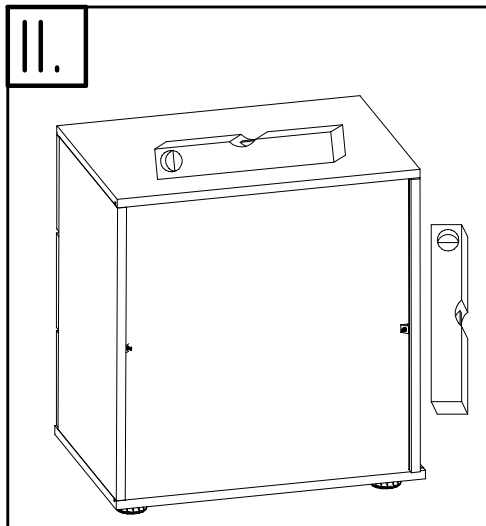
10



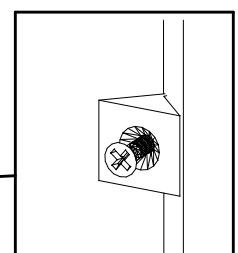
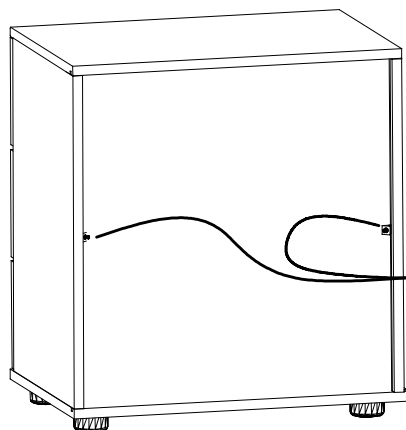
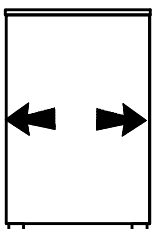
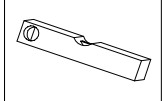
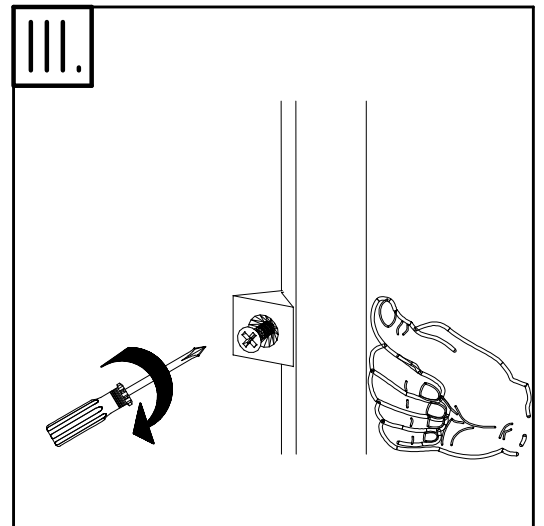
I.



II.



III.



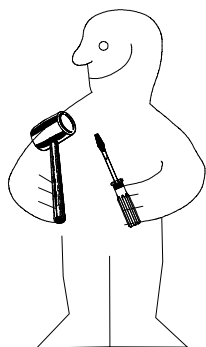
980103

19.05.14 / 08.08.18

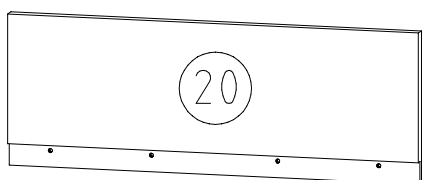
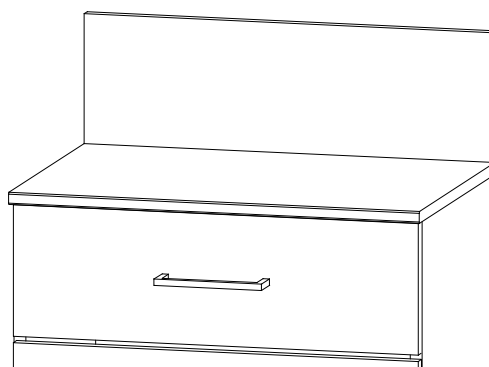
08 18

5/6

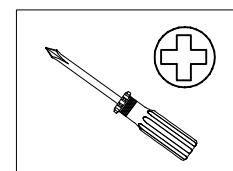
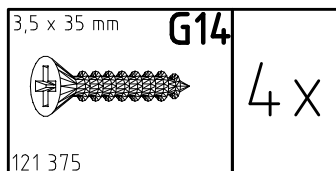
980513



MONTÁŽNÍ/MONTÁŽNY NÁVOD



520x189x15



1

