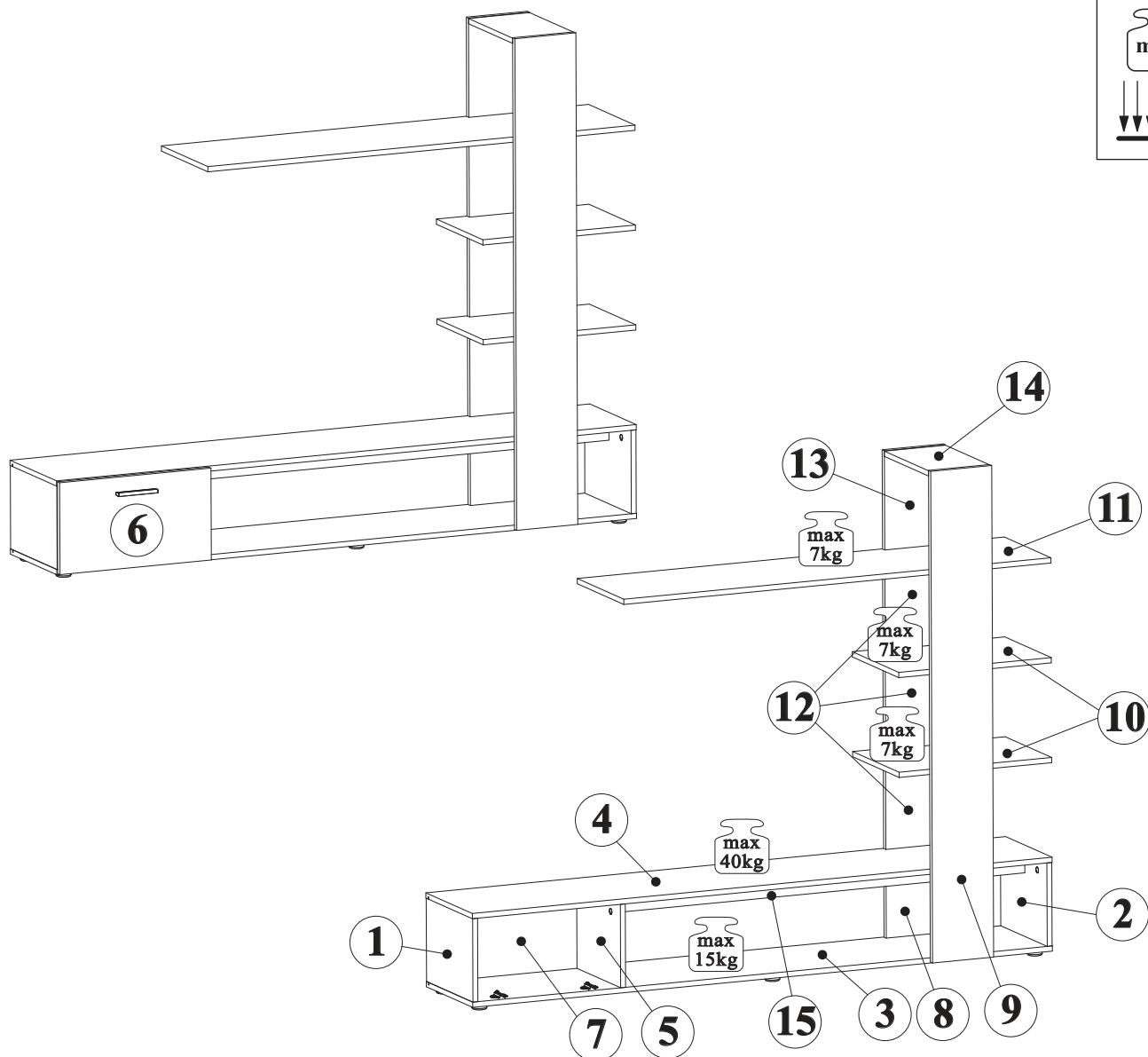
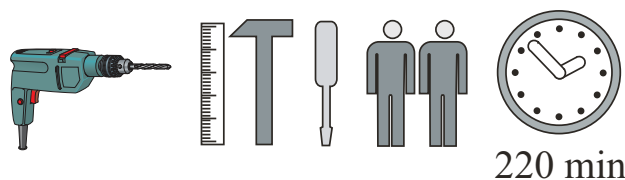


# ECO\_\_EC

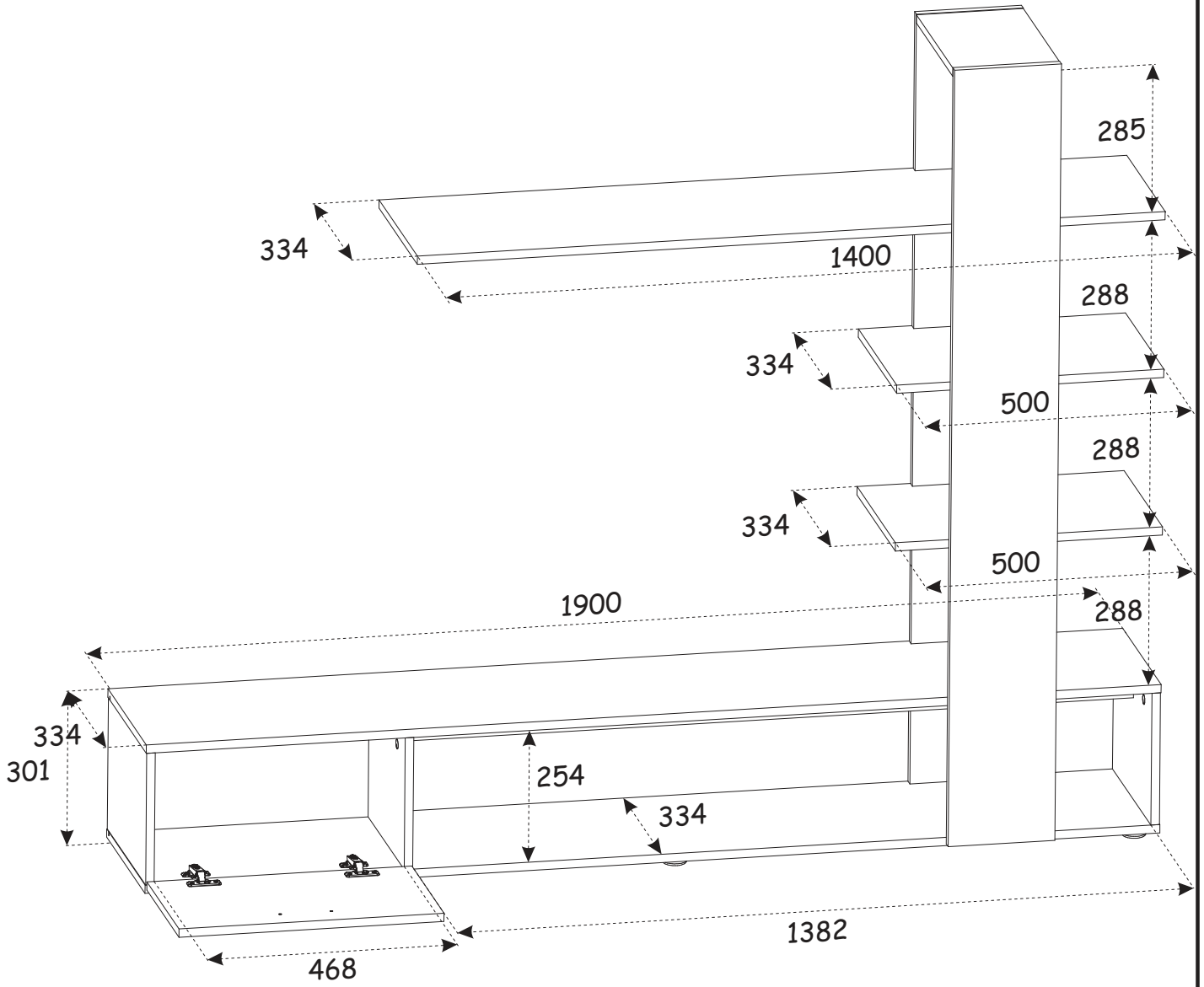


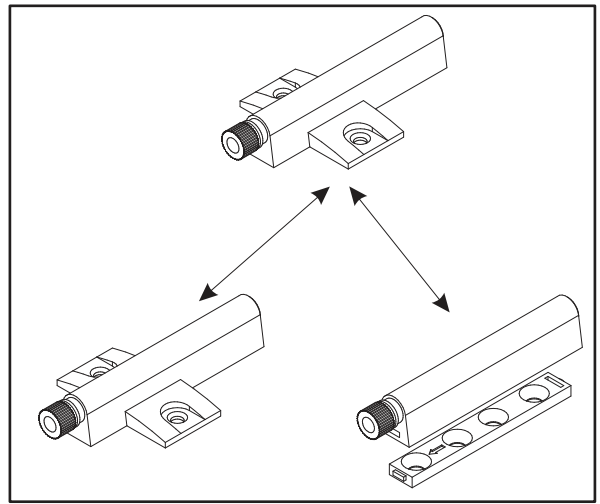
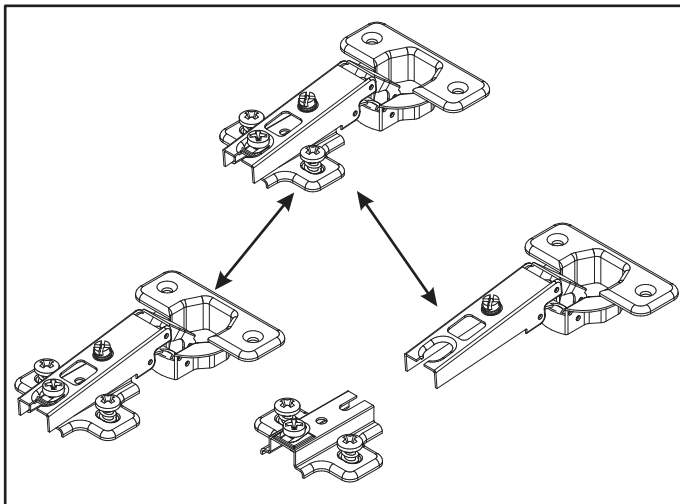
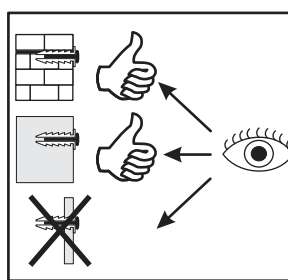
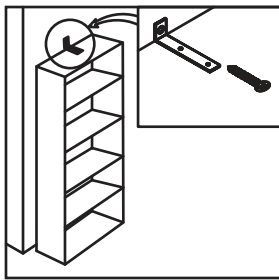
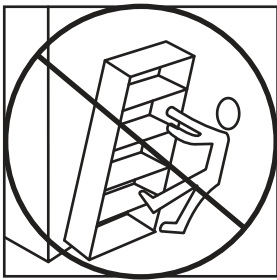
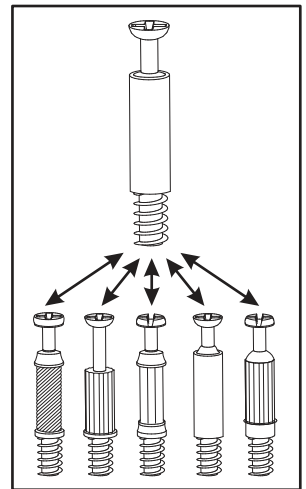
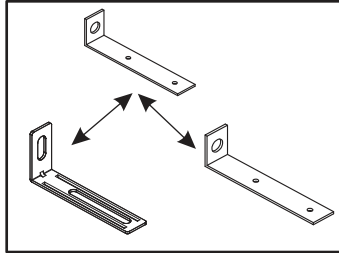
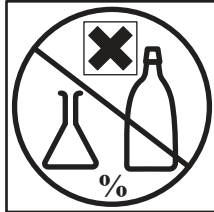
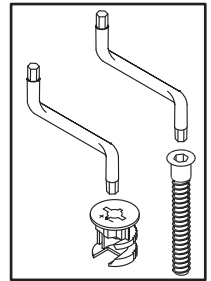
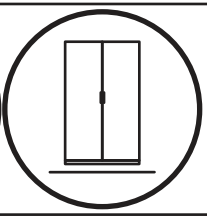
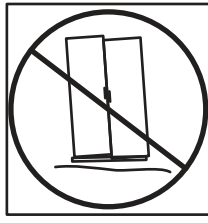
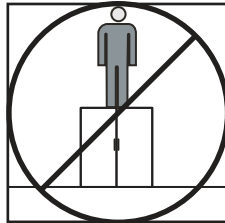
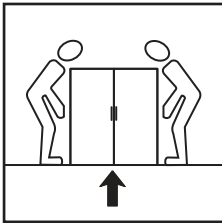
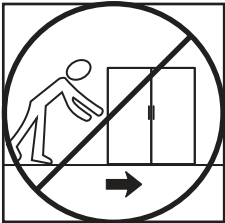
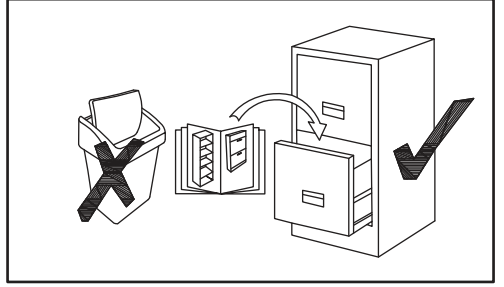
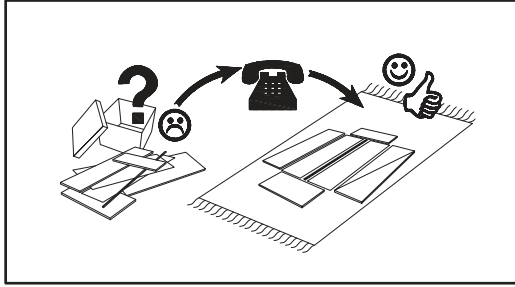
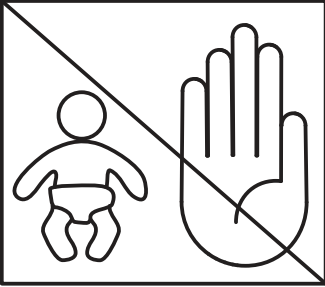
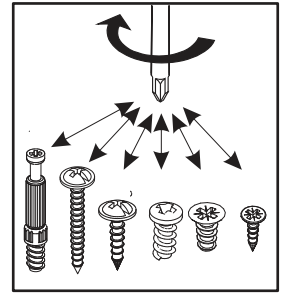
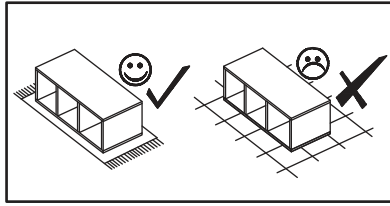
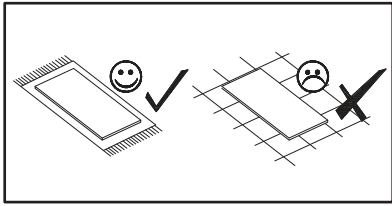
NO	Dim (mm)			Col.-No	Qty
1	254	334	16	1/1	1
2	254	334	16	1/1	1
3	1900	334	16	1/1	1
4	1900	334	16	1/1	1
5	254	334	16	1/1	1
6	496	280	16	1/1	1
7	480	266	3	1/1	1
8	254	200	16	1/1	1
9	1500	200	16	1/1	1
10	500	334	16	1/1	2
11	1400	334	16	1/1	1
12	288	200	16	1/1	3
13	302	200	16	1/1	1
14	317	200	16	1/1	1
15	1382	60	16	1/1	1



220 min

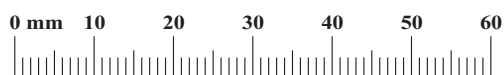
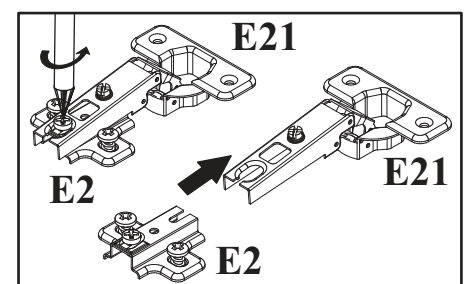
# ECO\_\_EC



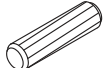


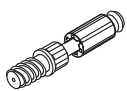
ECO\_\_EC

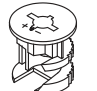
A1 x50 Ø8x36	B11 x7 Ø7x50	G4 x7	B4 x15	B6 x4 Ø7x76	B5 x23 Ø15x12
G5 x23	E21 x2 Ø35	E2 x2 H=0	I11 x8 Ø45, h=15	S1 x6	KL x1 L-128mm.
D10 x8 USØ3,5x13	UP6 x2 UPØ4x30	UP11 x8 UPØ4x20	PP1 x2	KR1 x2 Ø8	L1 x2
G2 x1					

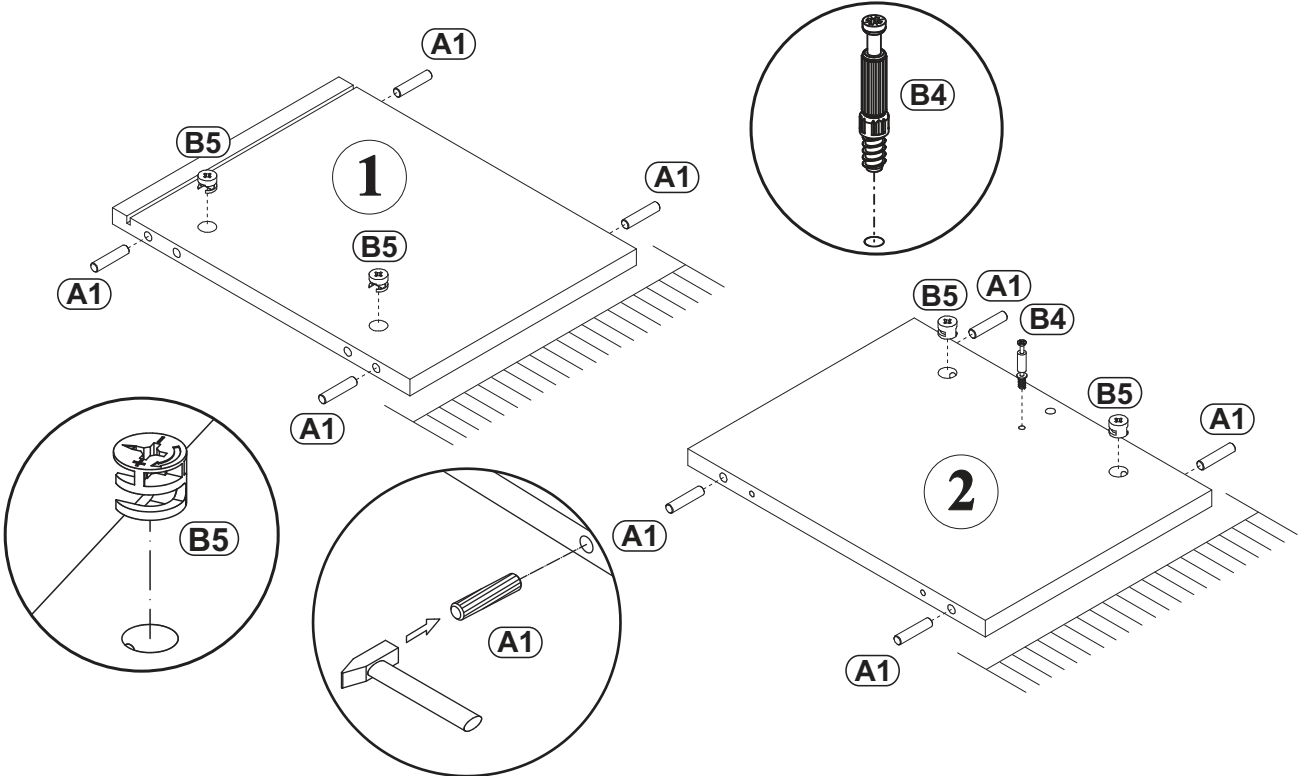


1

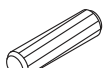
A1	
x8	∅8x36

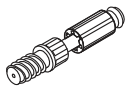
B4	
x1	

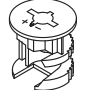
B5	
x4	∅15x12

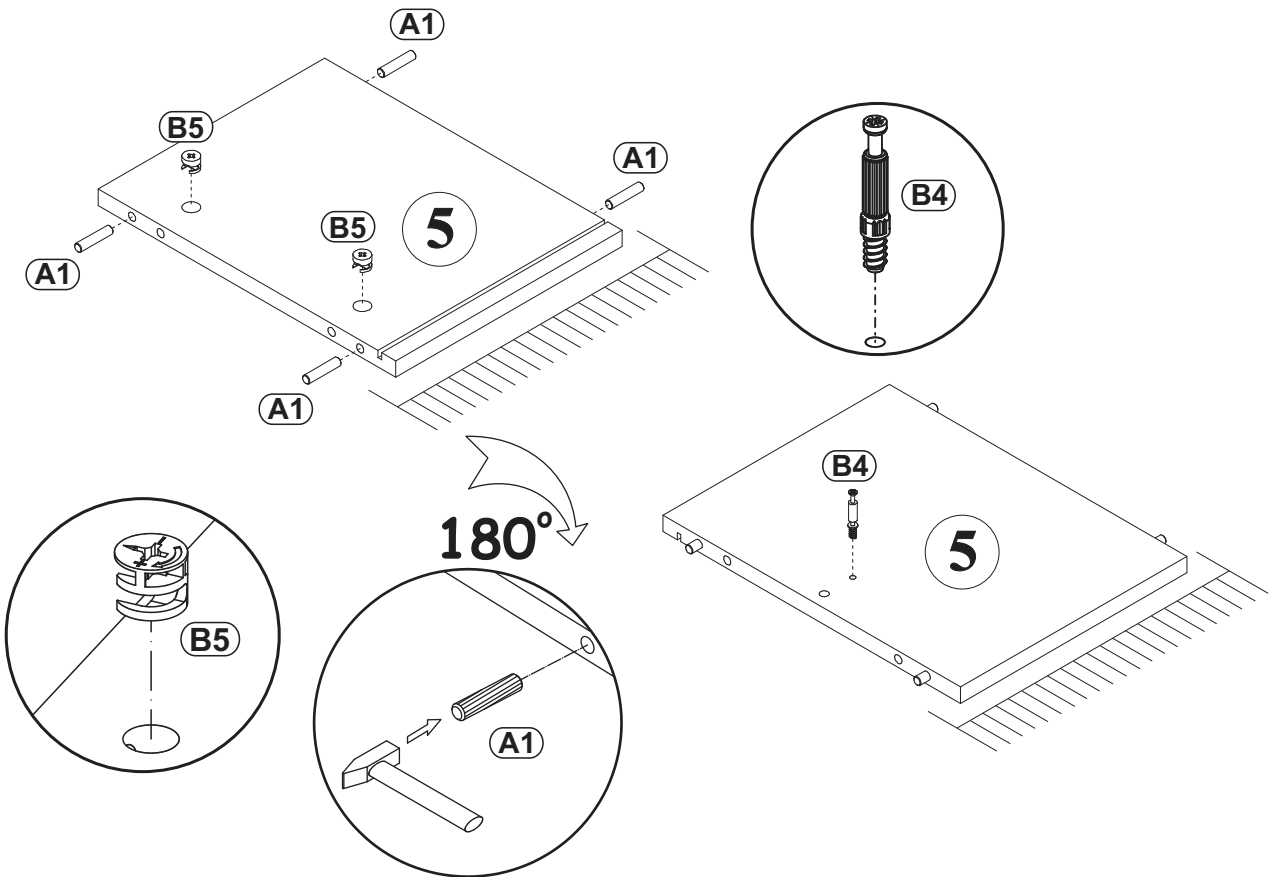


2

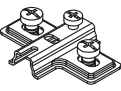
A1	
x4	∅8x36

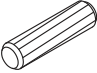
B4	
x1	

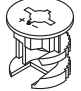
B5	
x2	∅15x12

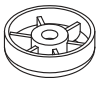


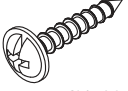
3

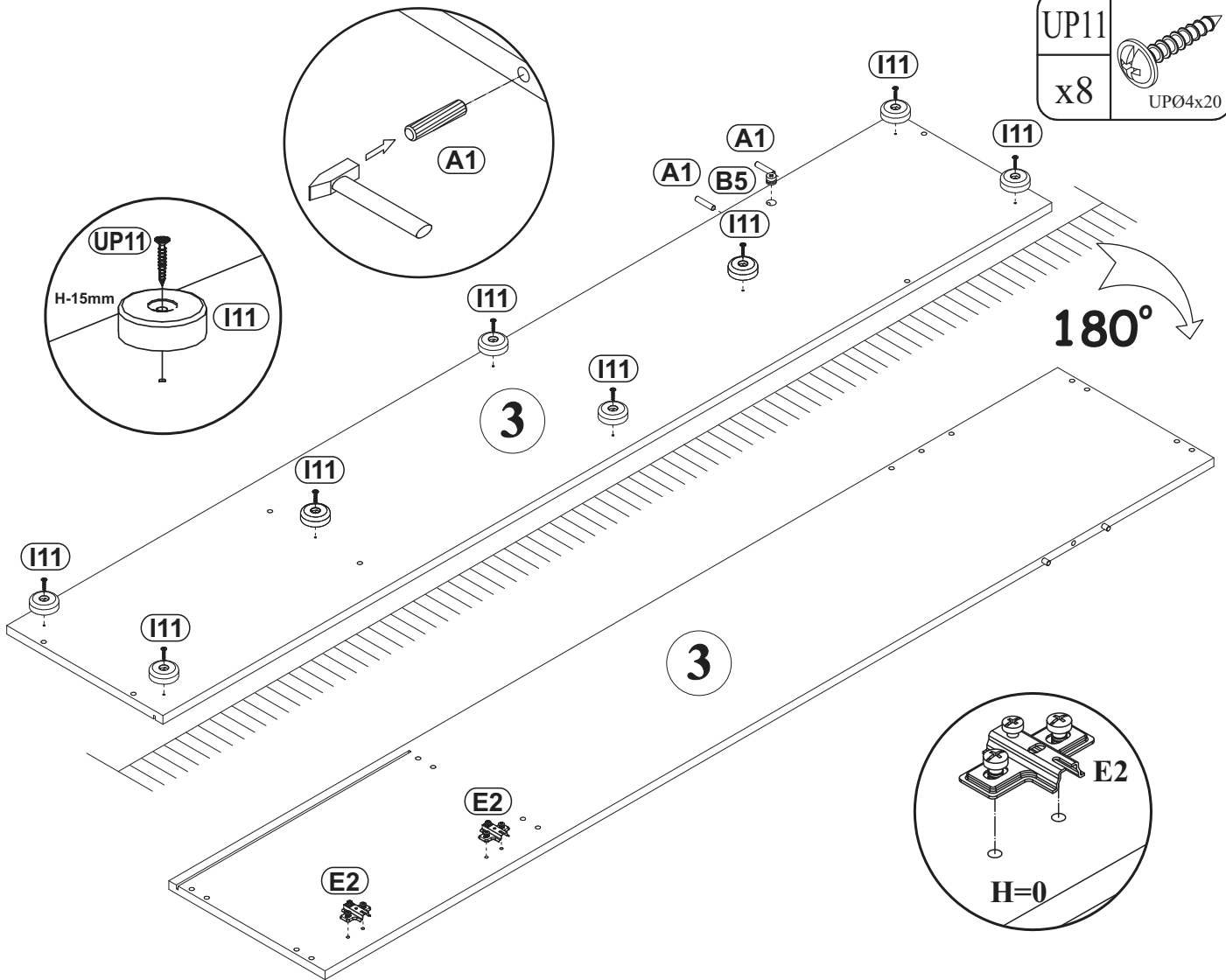
E2	
x2	H=0

A1	
x2	ø8x36

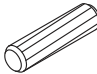
B5	
x1	Ø15x12

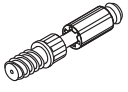
I11	
x8	Ø45, h=15


UP11	
x8	UPØ4x20

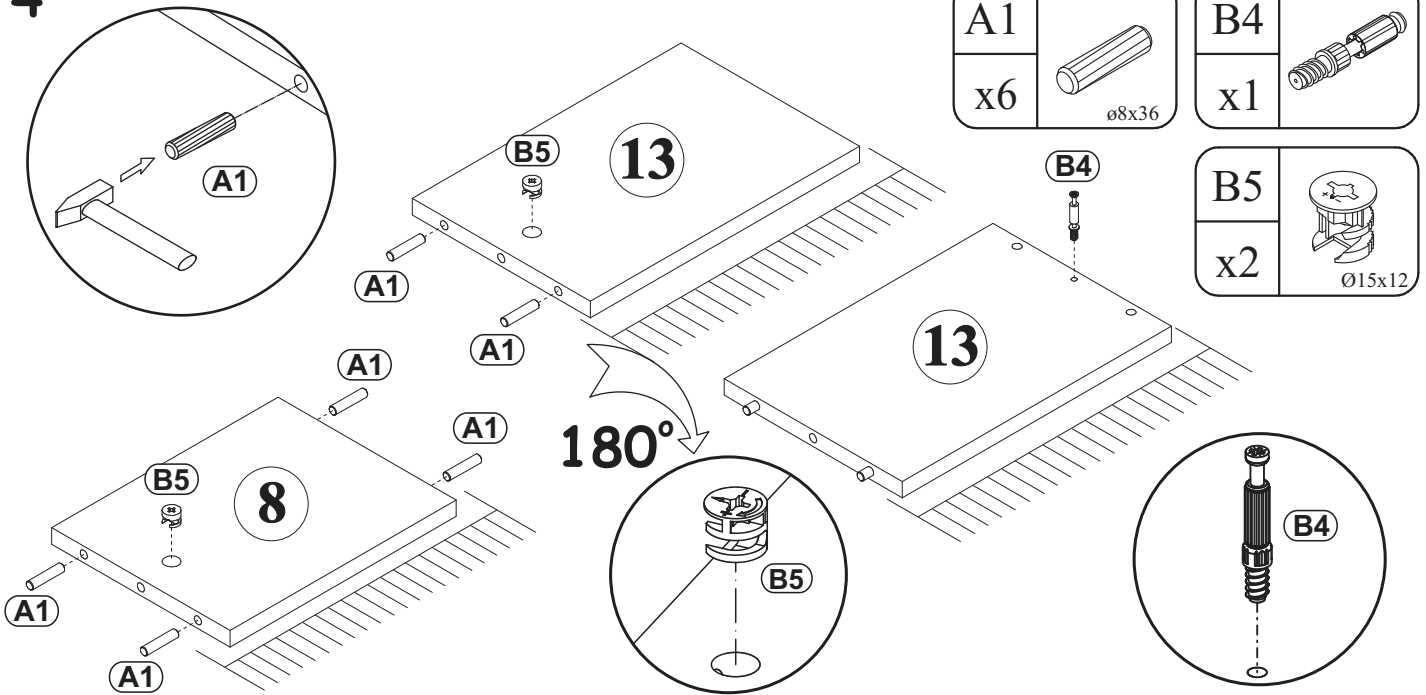


4

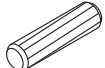
A1	
x6	ø8x36

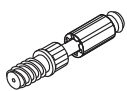
B4	
x1	

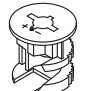
B5	
x2	Ø15x12

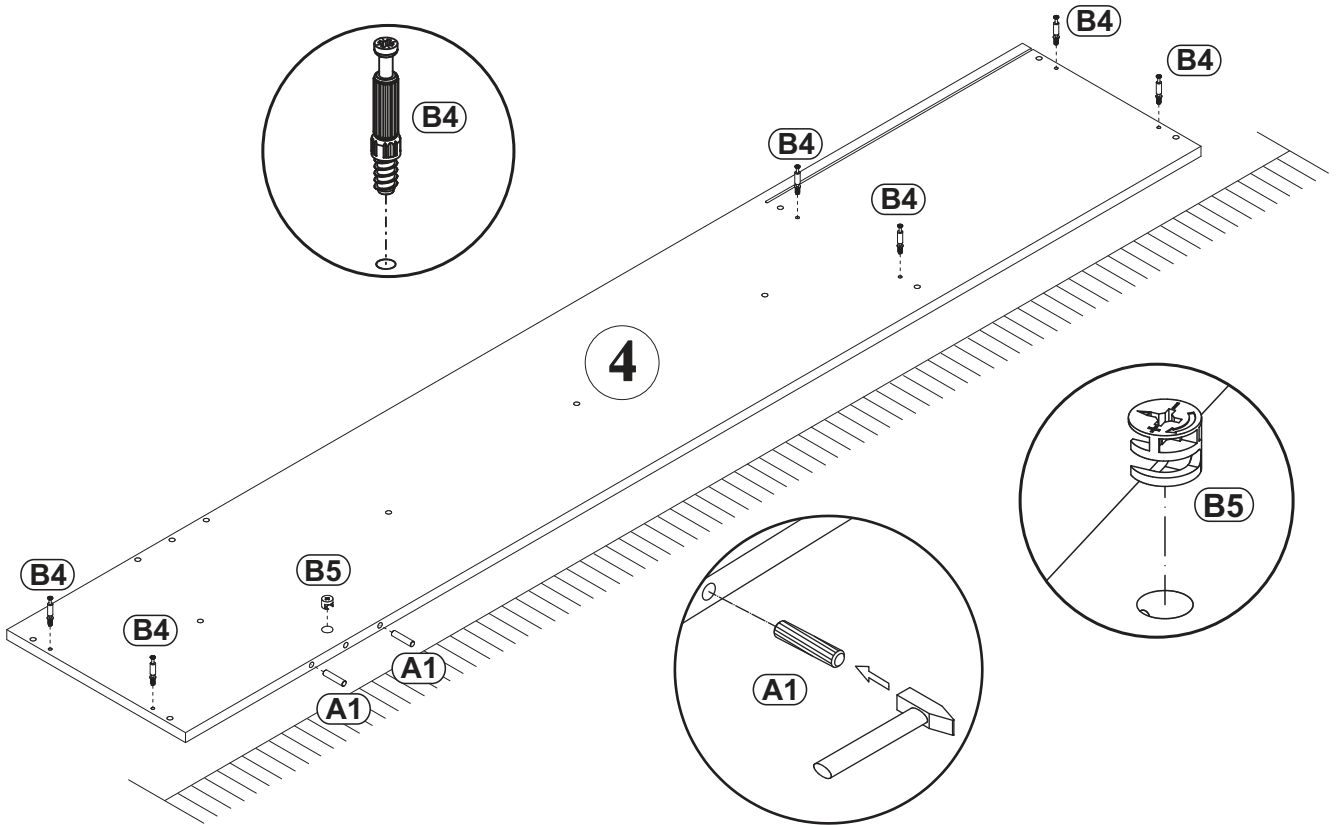


5

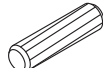
A1	
x2	ø8x36


B4	
x6	

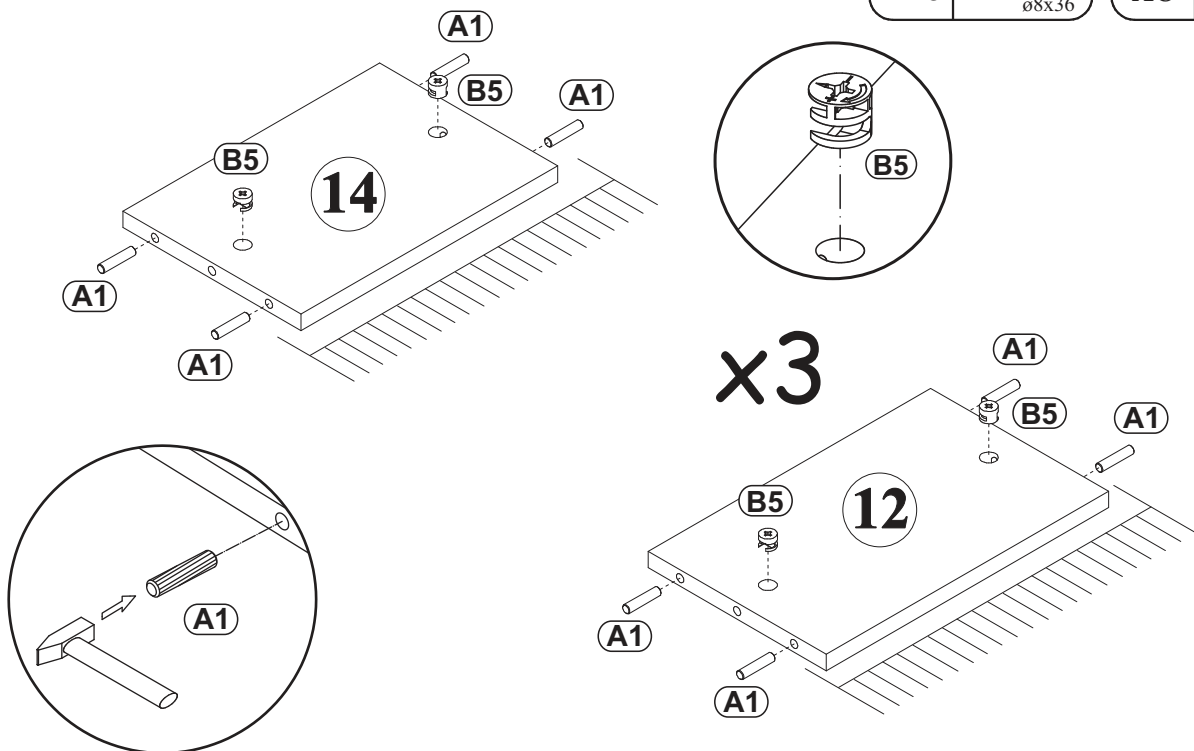
B5	
x1	Ø15x12

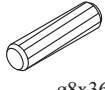


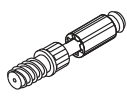
6

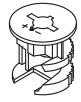
A1	
x16	ø8x36

B5	
x8	Ø15x12

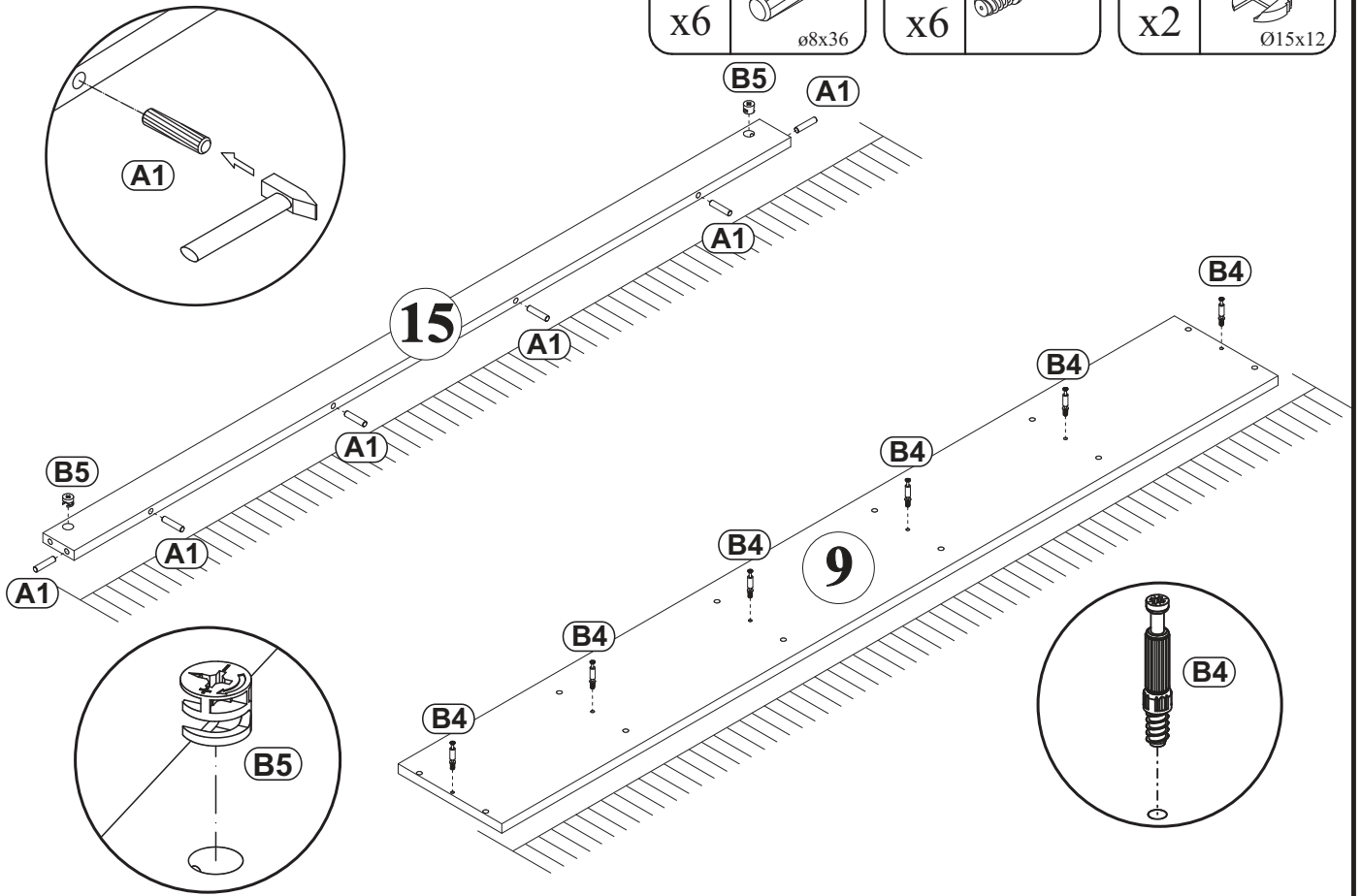


A1	
x6	∅8x36

B4	
x6	


B5	
x2	∅15x12

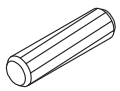
7

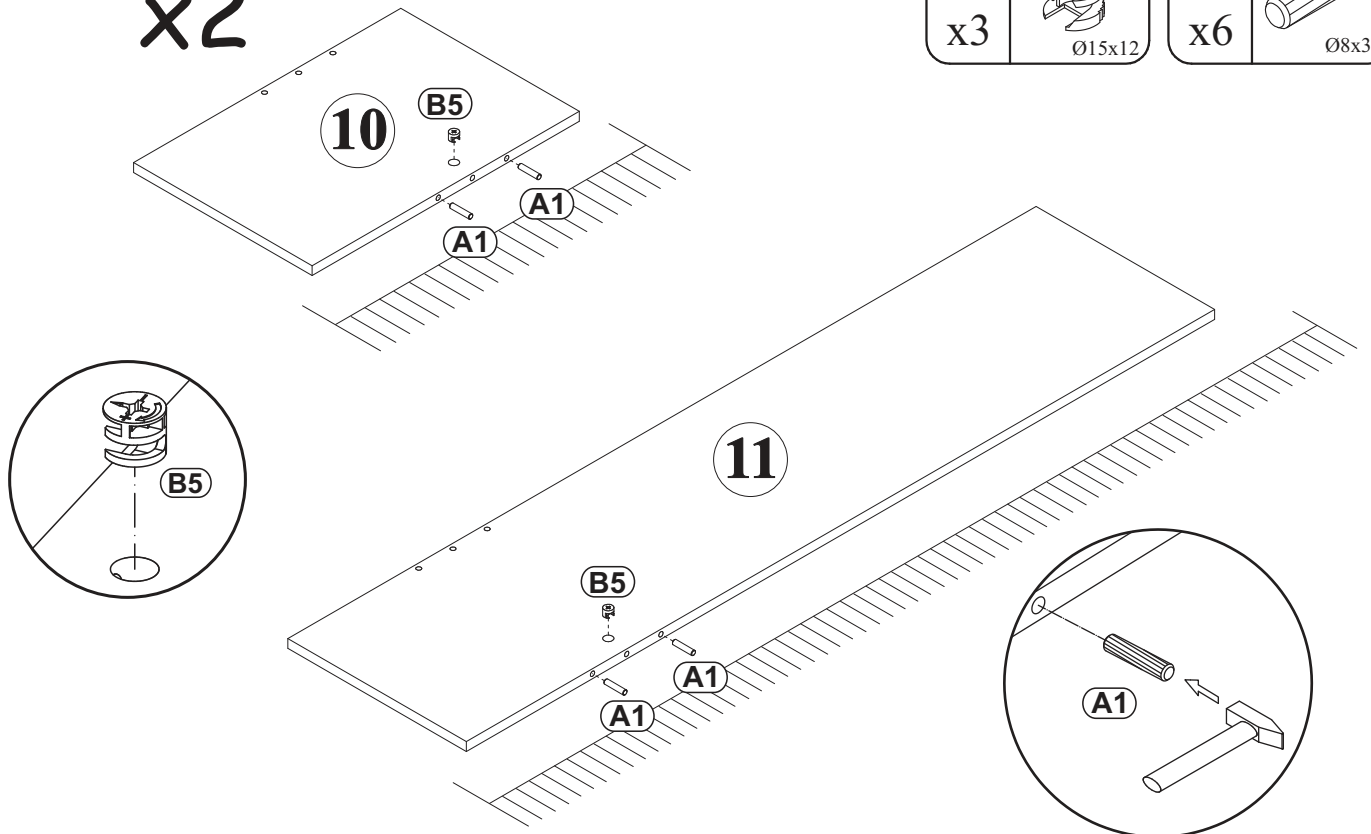


8

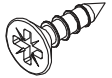
x2

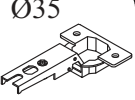
B5	
x3	∅15x12

A1	
x6	∅8x36

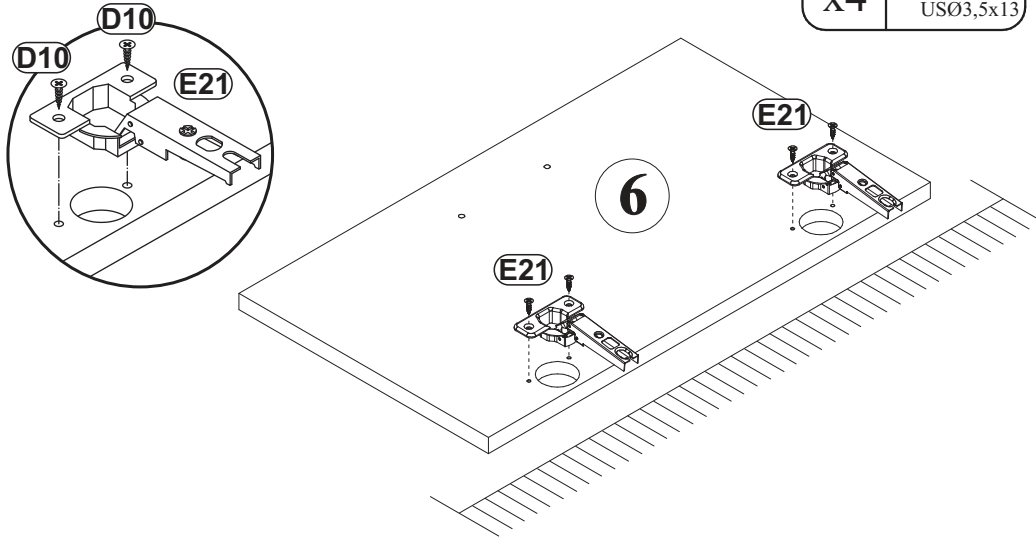





D10	
x4	USØ3,5x13

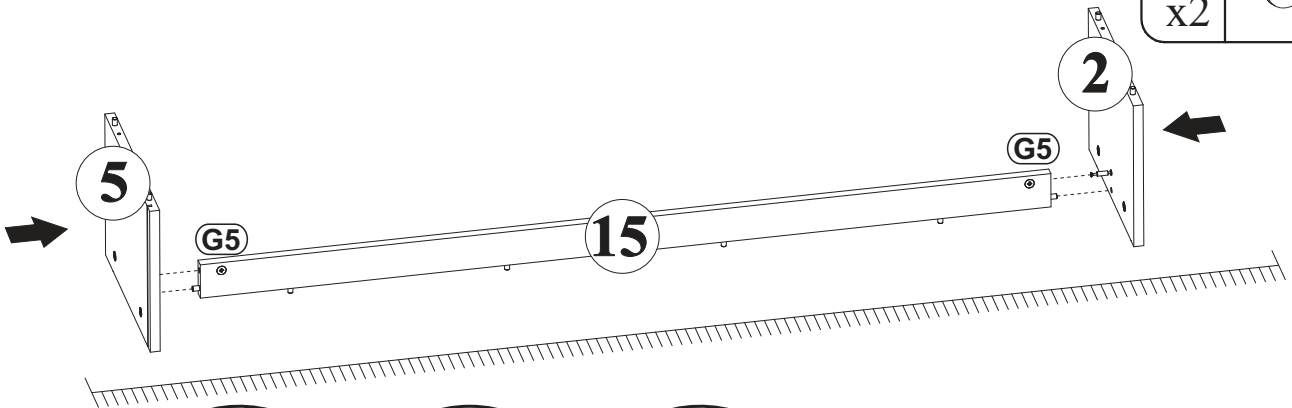
E21	
x2	Ø35 H=0

9

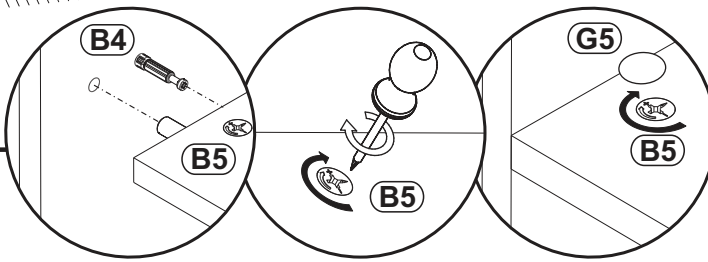



10

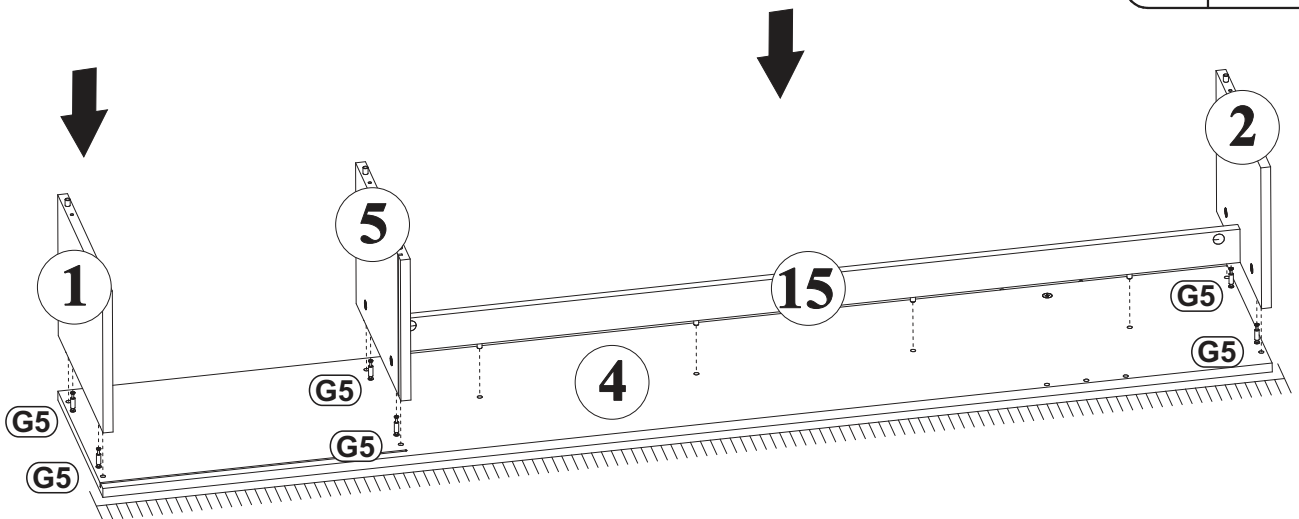
G5	
x2	



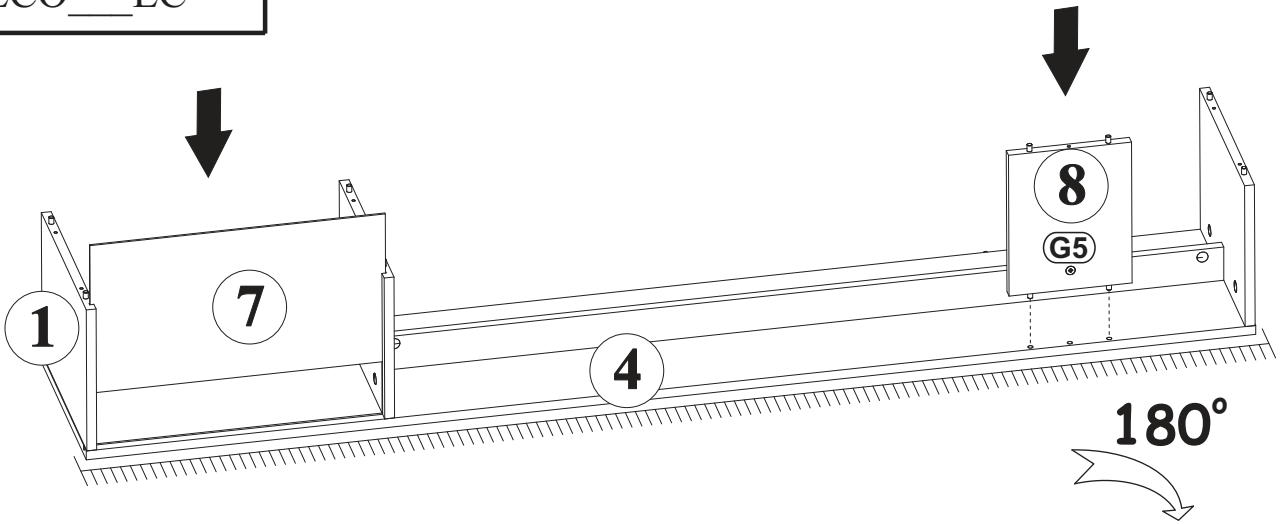
11



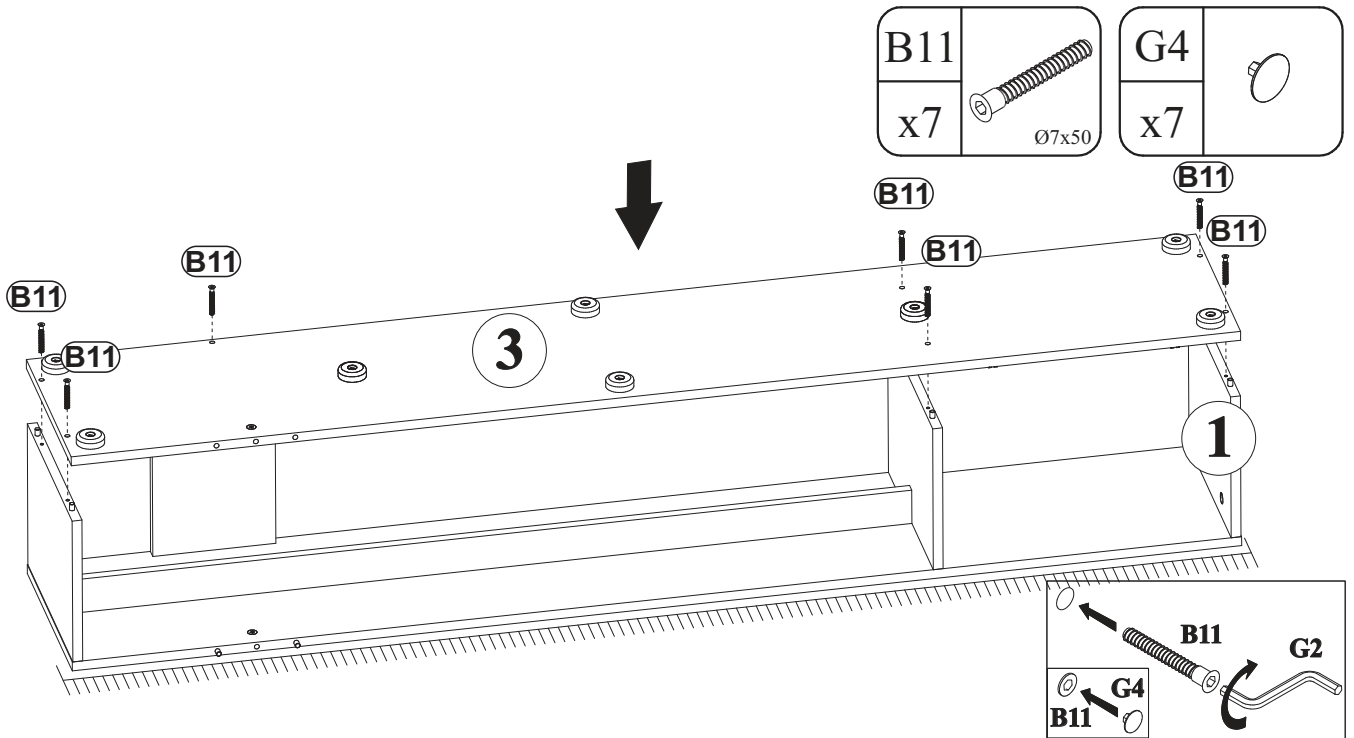
G5	
x6	



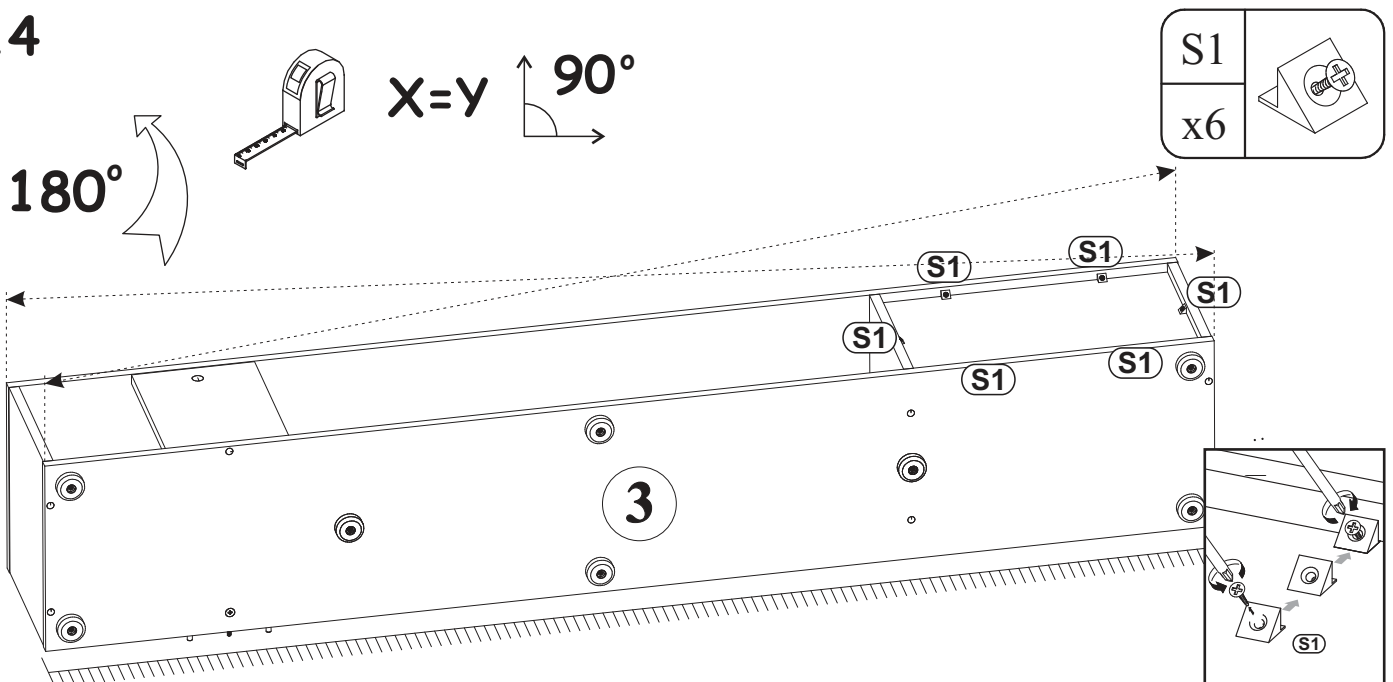
12




13




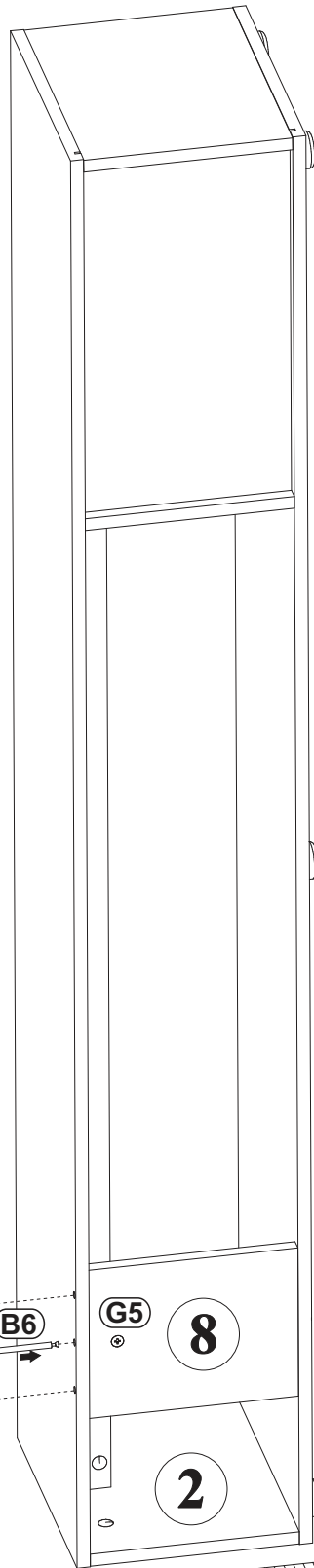
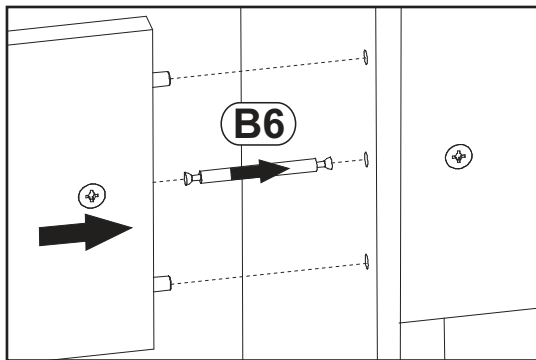
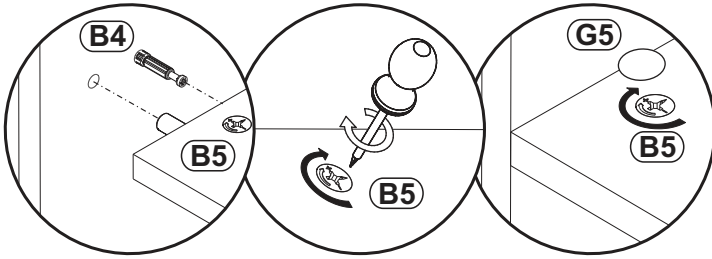
14




15


G5	
x2	

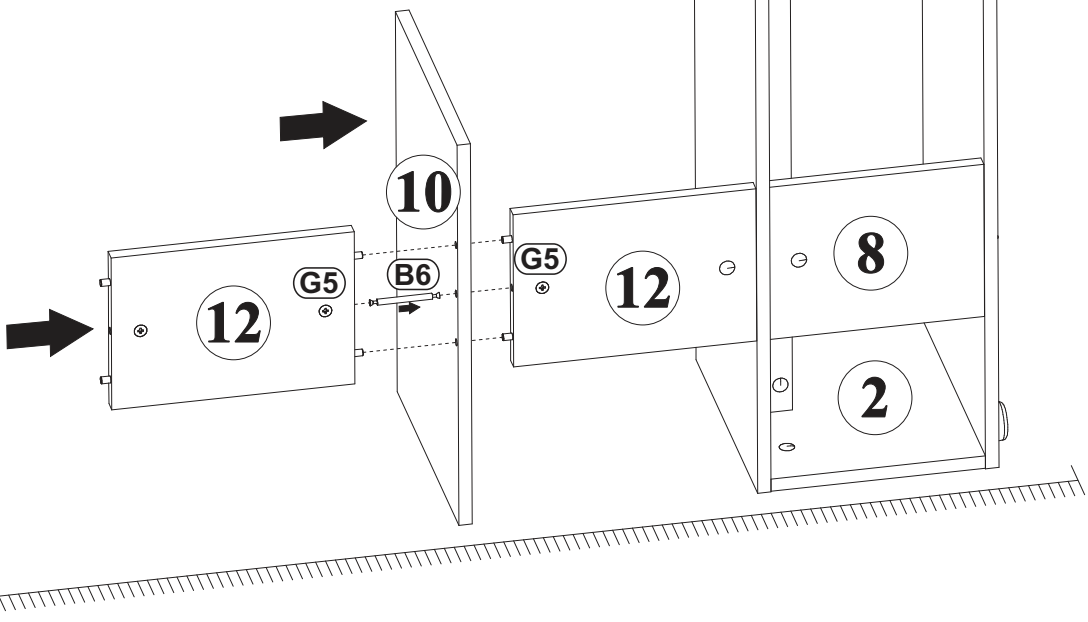
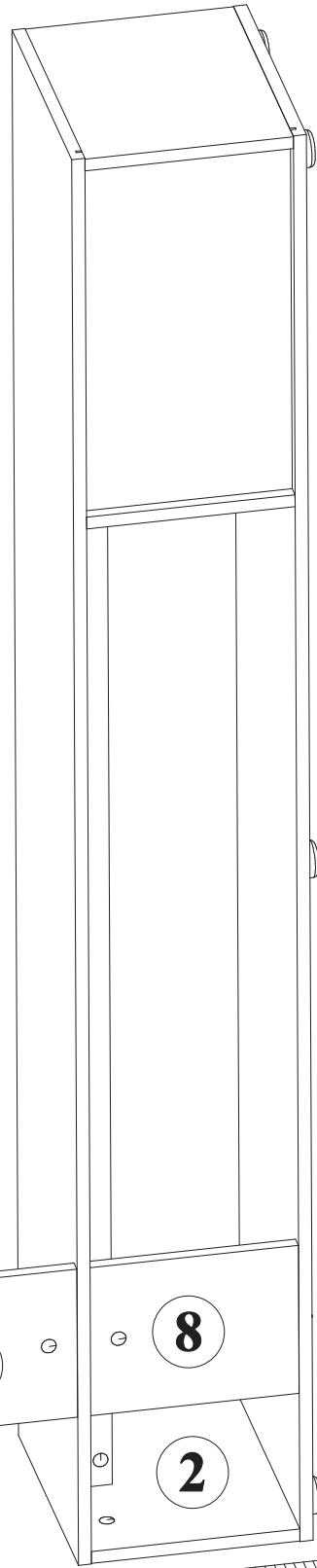
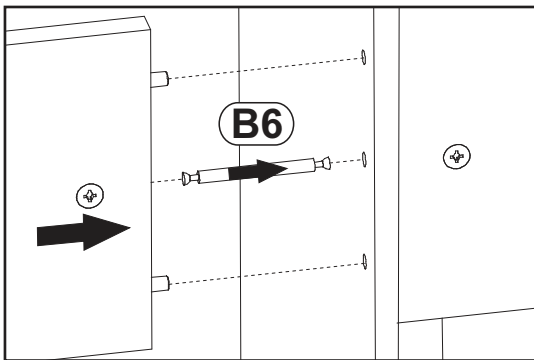
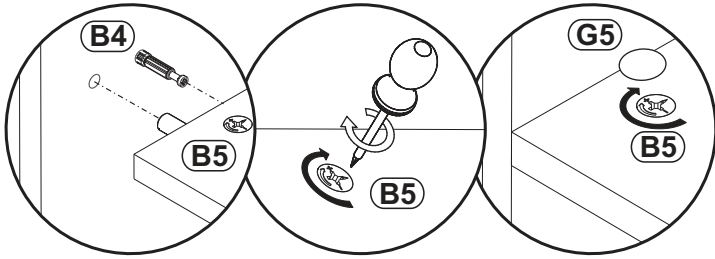
B6	
x1	Ø7x76





16

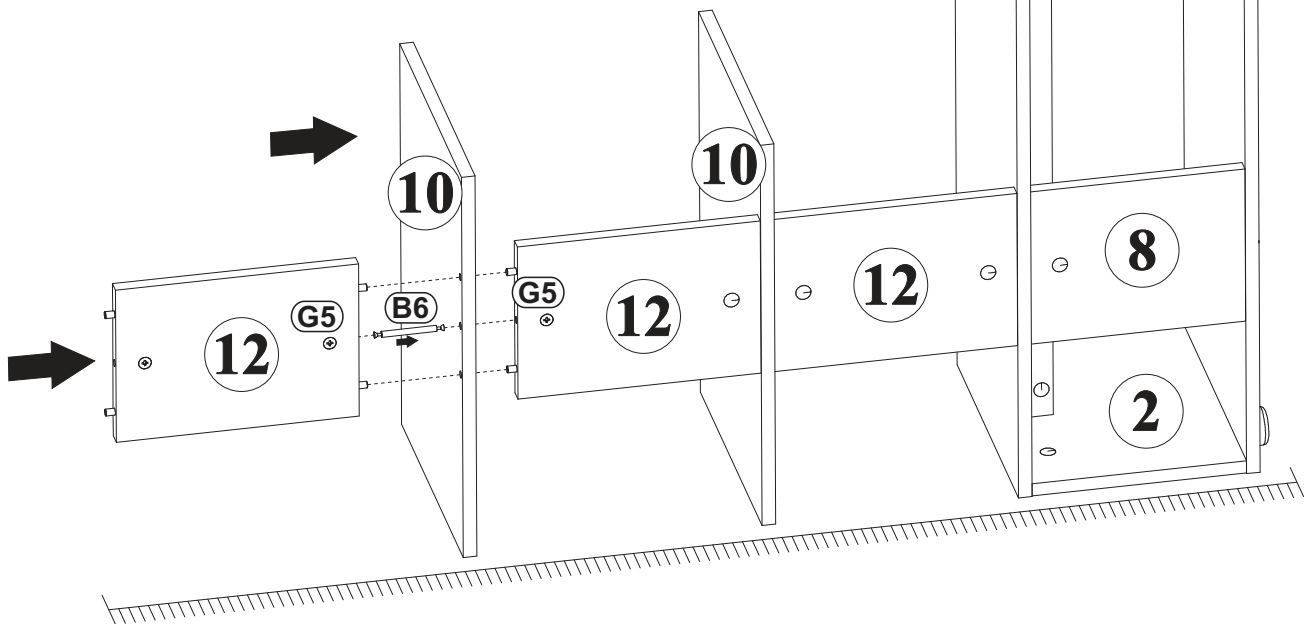
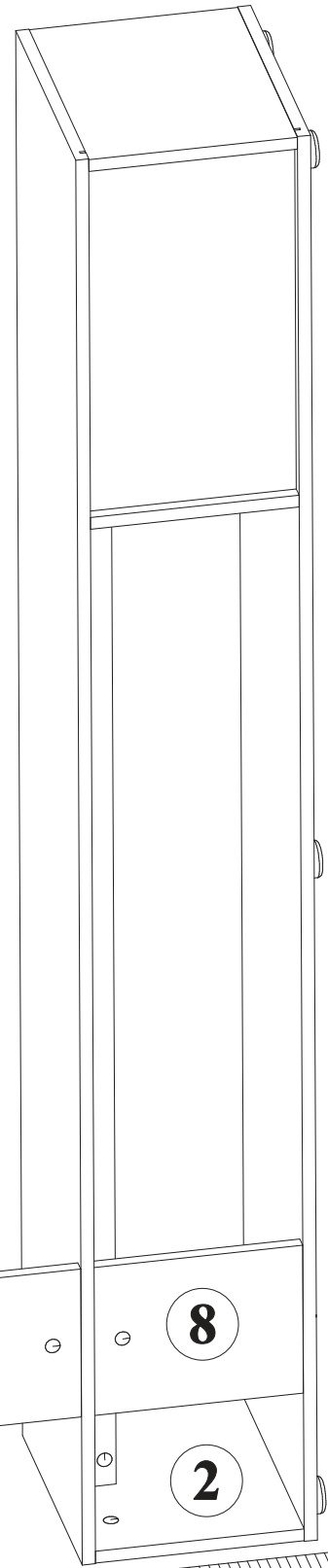
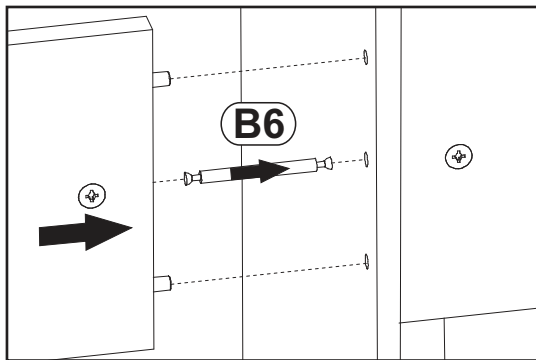
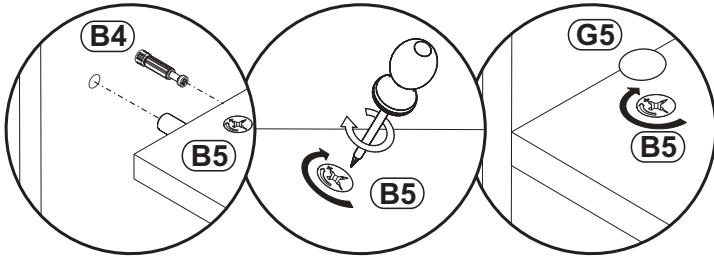
G5	
x2	

B6	
x1	Ø7x76

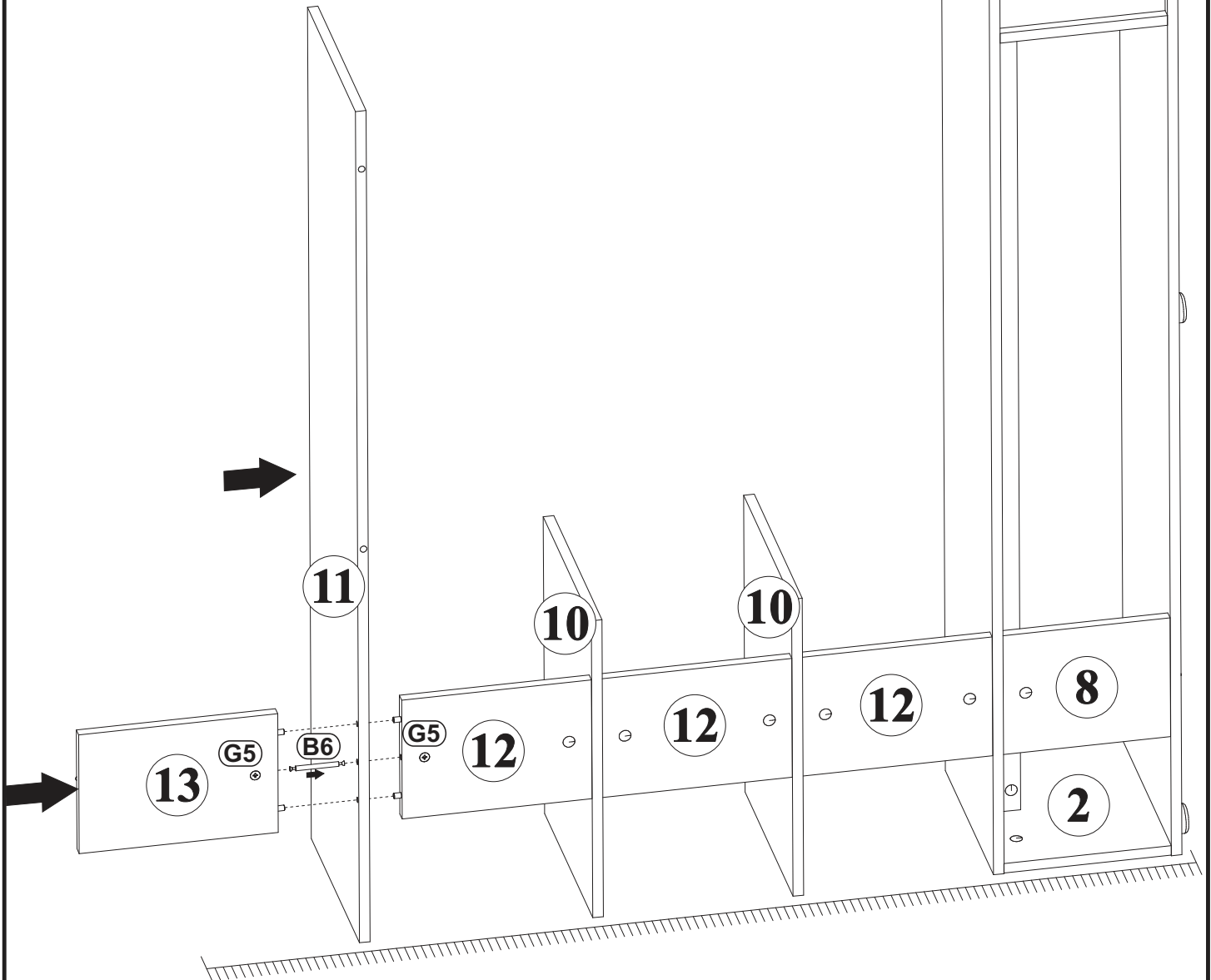
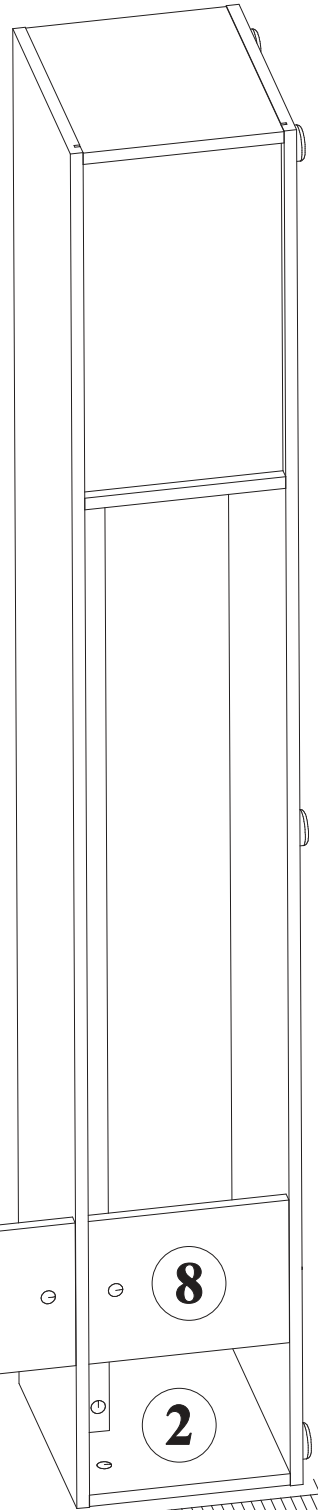
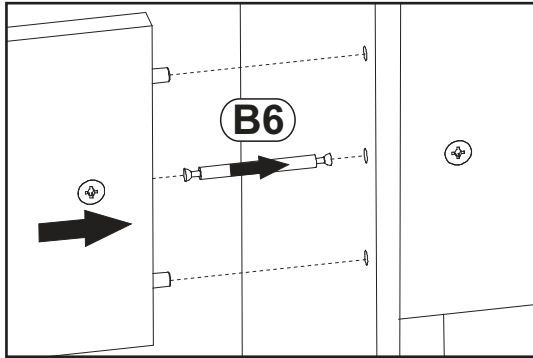
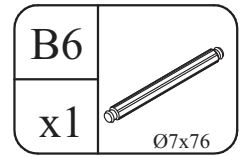
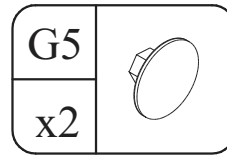
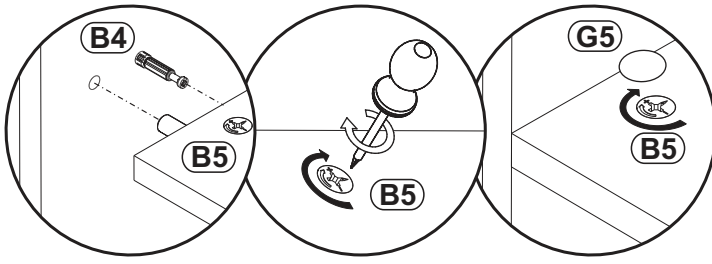



17

G5		B6	
x2		x1	Ø7x76

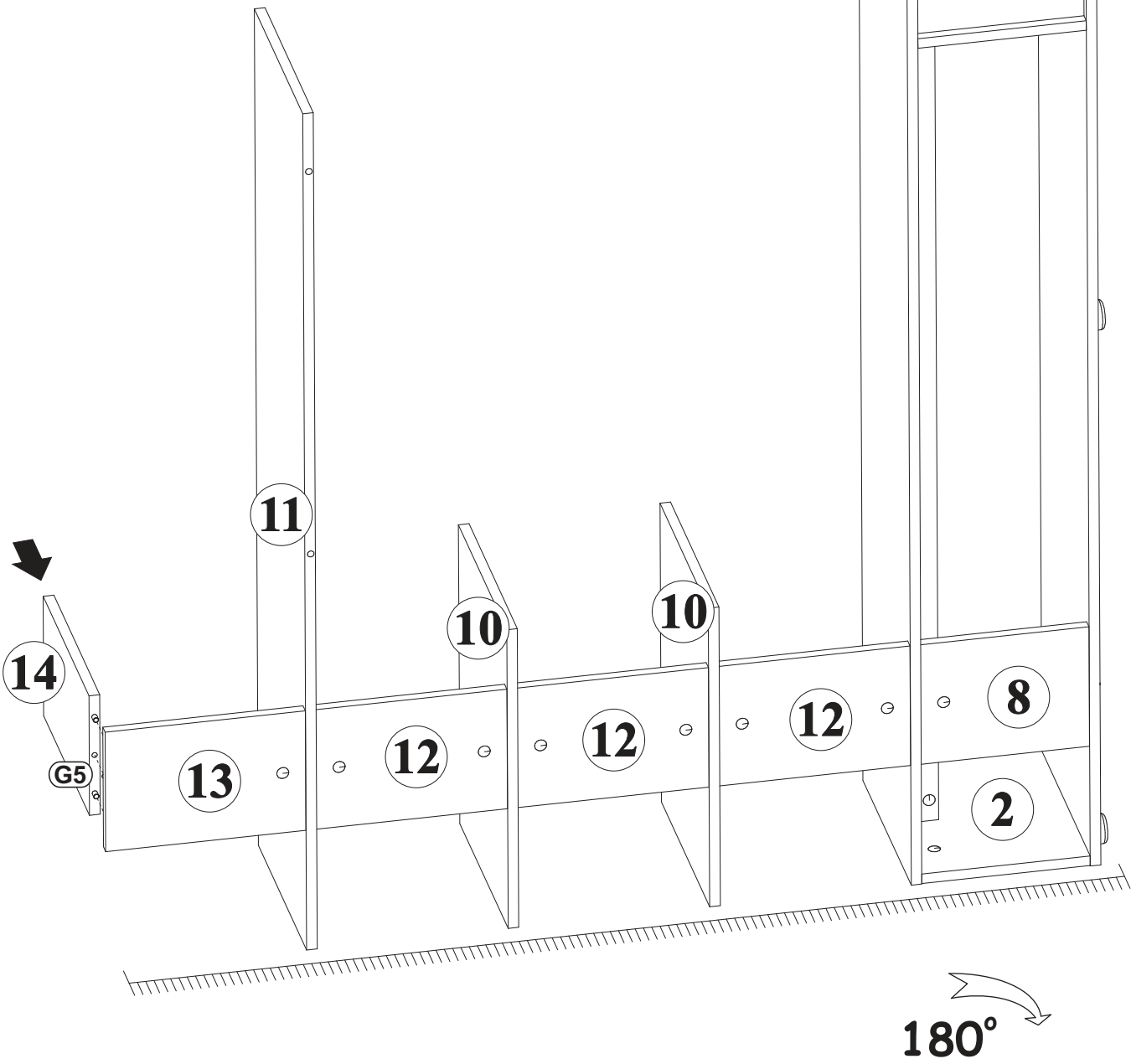
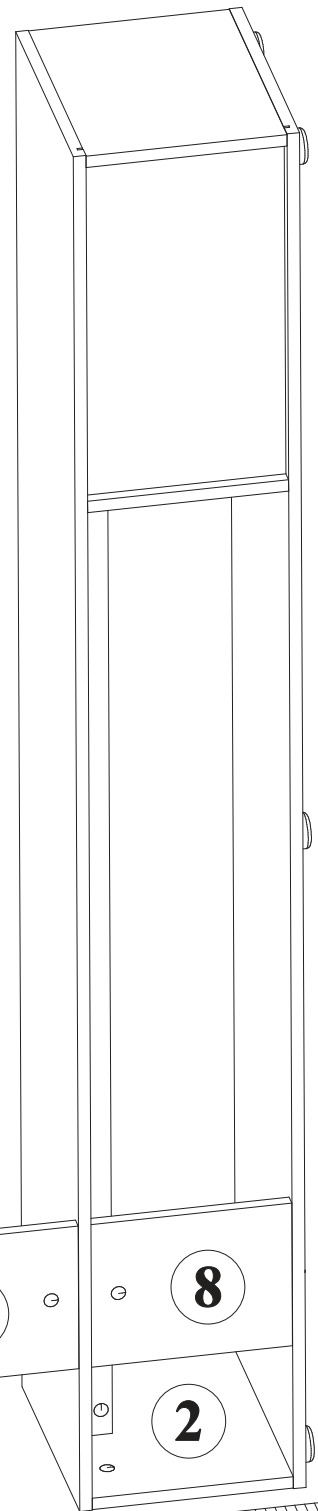
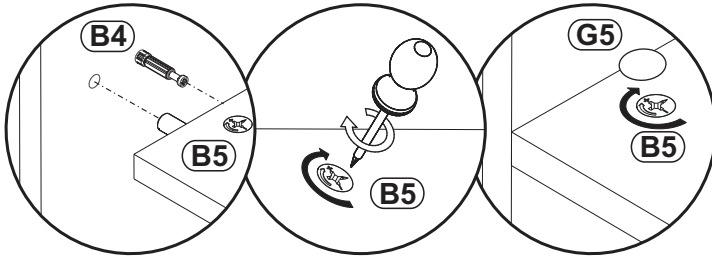



18



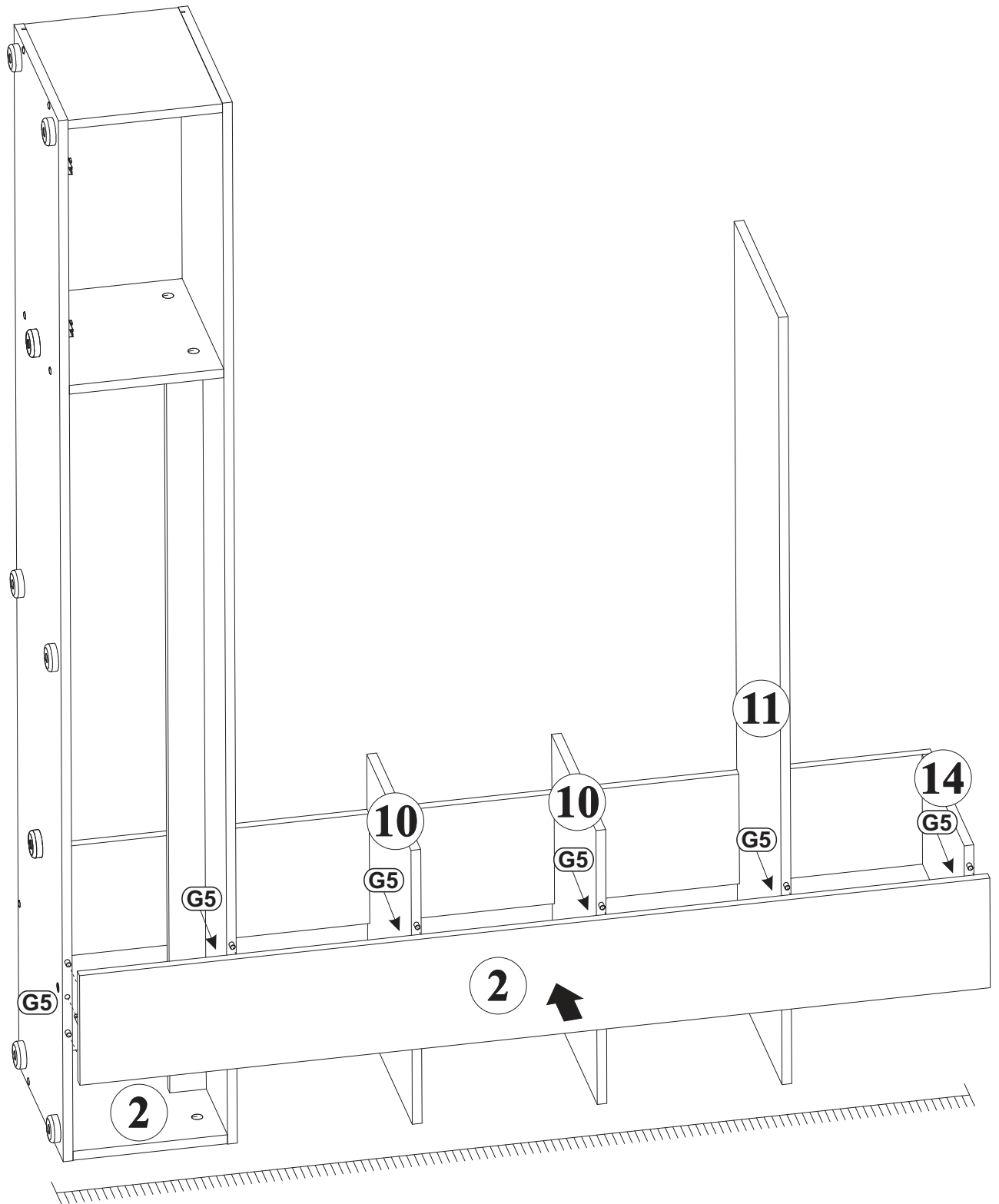
G5	
x1	


19



G5	
x6	

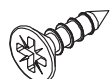
20

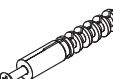


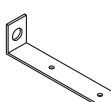
180° 




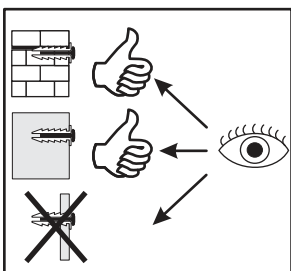
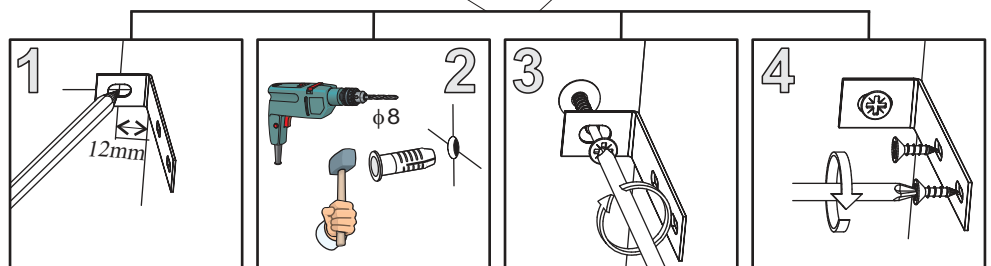
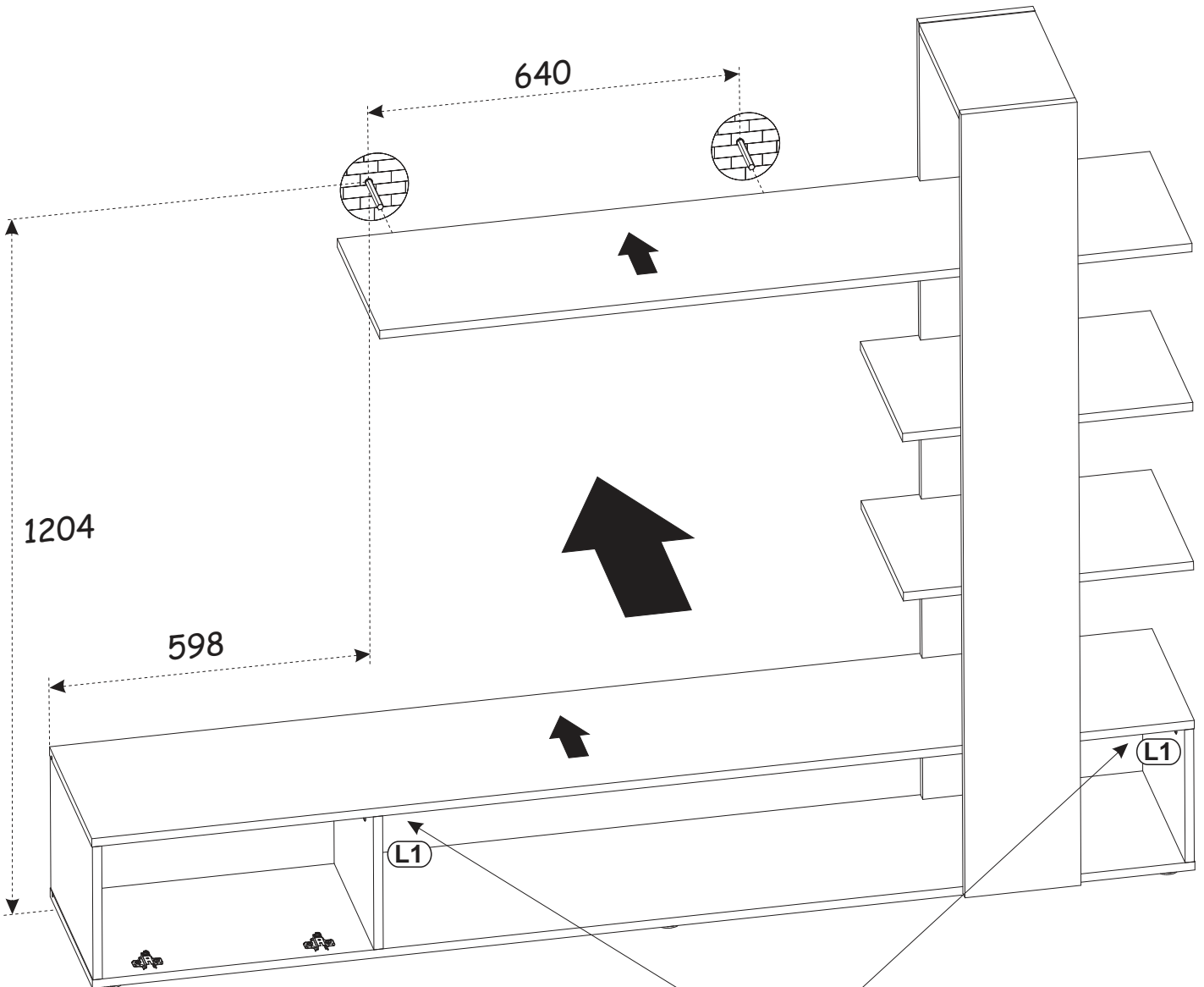
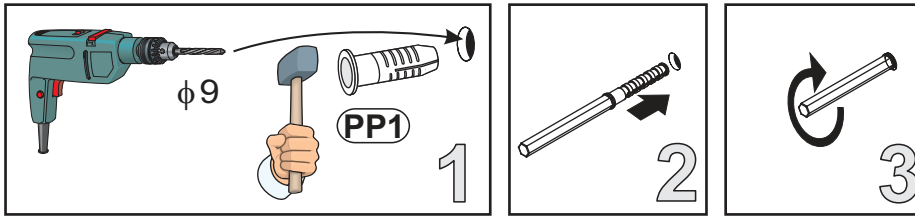
21

D10	
x4	USØ3,5x13

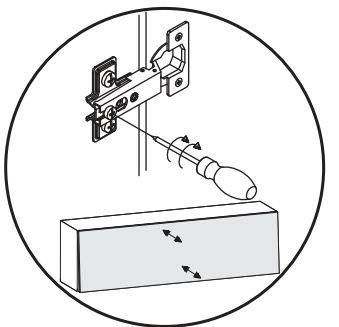
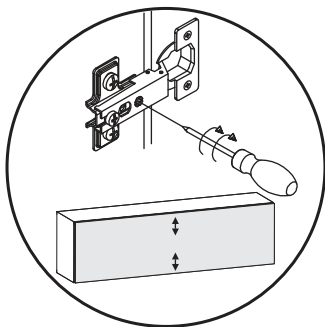
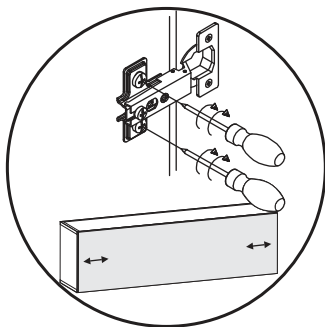
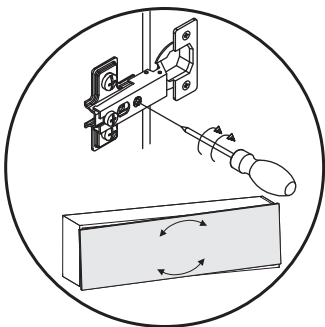
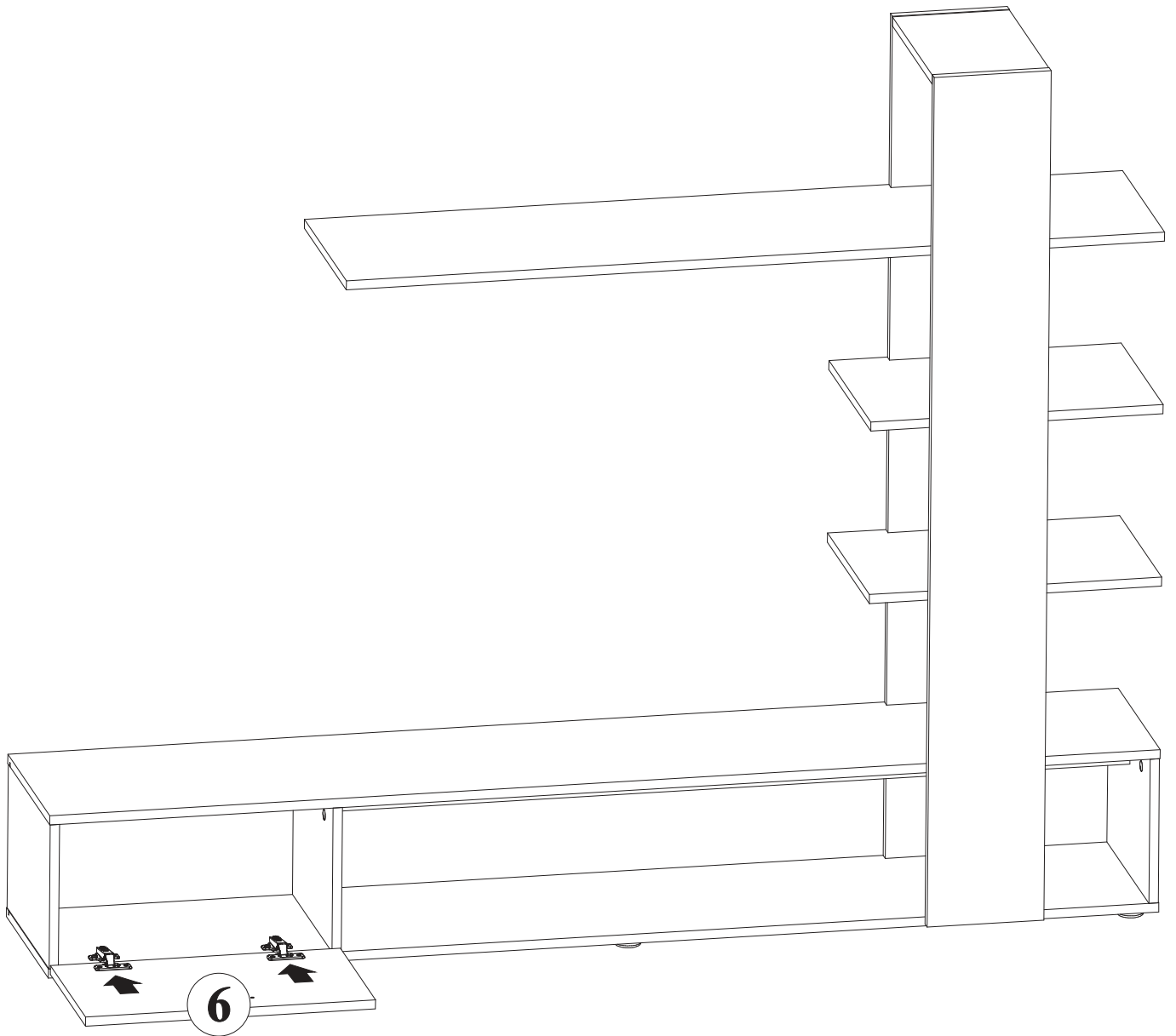
KR1	
x2	Ø8

L1	
x2	

PP1	
x2	



22



23

