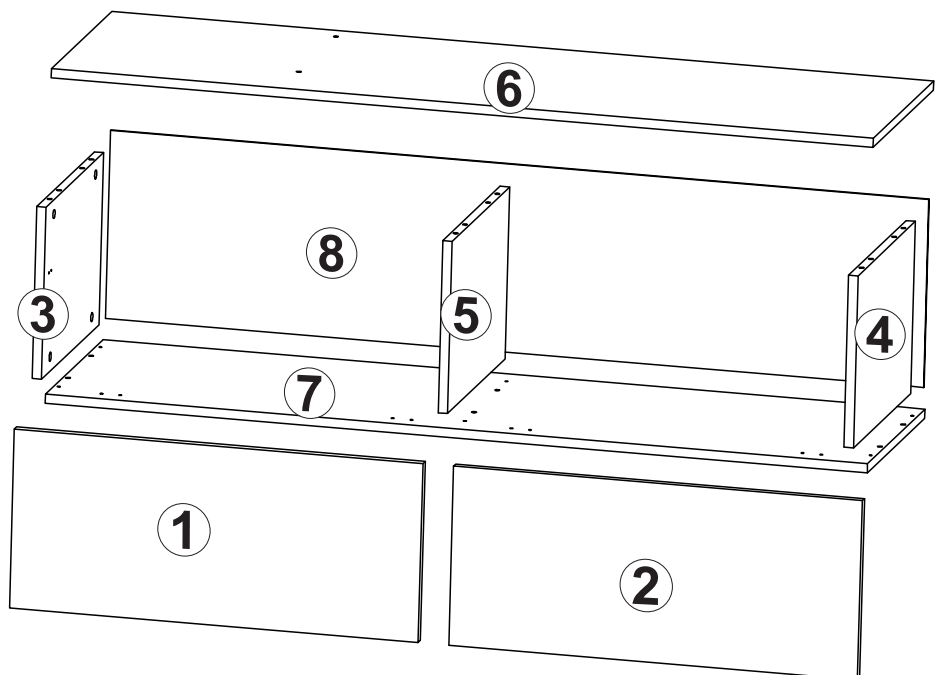


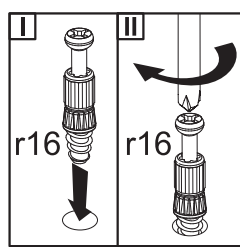
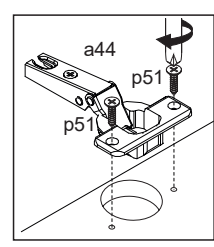
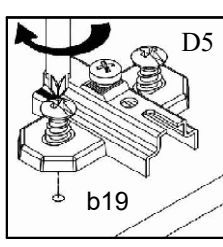
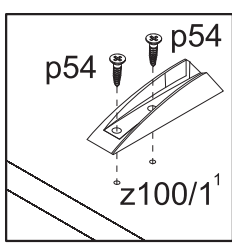
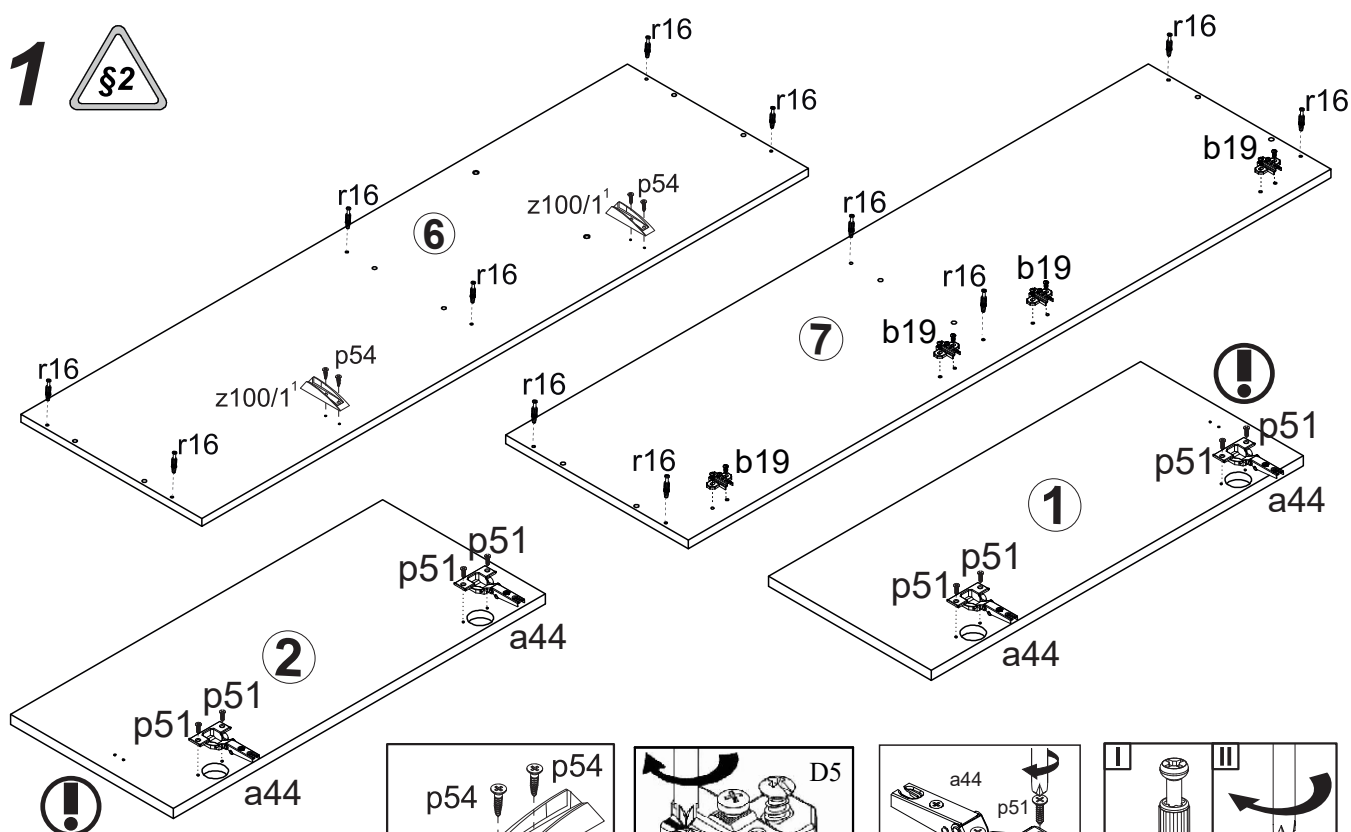
<p>4x k0 <b>a44</b></p>	<p>4x D5 <b>b19</b></p>	<p>18x <math>\phi 7 \times 50</math> mm <b>e1</b></p>	<p>2x <b>k1</b></p>	<p>8x <math>\phi 3,5 \times 15</math> mm <b>p51</b></p>	<p>20x <math>\phi 16</math> <b>s2</b></p>
<p>26x <math>\phi 8 \times 30</math> mm <b>f1</b></p>	<p>41x <math>\phi 15 \times 12</math> mm #16 <b>r1</b></p>	<p>41x 20/9 <b>r16</b></p>	<p>12x <math>\phi 3,5 \times 12</math> mm <b>p140</b></p>	<p>40x <b>l1</b></p>	<p>10x <math>\phi 5 \times 50</math> mm <b>e32</b></p>
<p>2x L-230 <b>m48</b></p>	<p>8x <math>\phi 3,5 \times 13</math> mm <b>p1</b></p>	<p>12x <math>\phi 6 \times 13</math> mm <b>e3</b></p>	<p>4x <math>\phi 5 \times 11</math> mm <b>e4</b></p>	<p>1x <b>z1</b></p>	<p>2x <math>\phi 7 \times 35</math> mm <b>e26</b></p>
<p>5x 60x60x25 mm <b>k55</b></p>	<p>4x 300mm <b>w206<sup>1</sup></b></p>	<p>4x 300mm <b>w206<sup>2</sup></b></p>	<p>6x <math>\phi 3 \times 12</math> mm <b>p54</b></p>	<p>2x <b>z100/1<sup>1</sup></b></p>	<p>2x <b>z100/1<sup>2</sup></b></p>
<p>10x <math>\phi 4 \times 35</math> mm <b>p6</b></p>	<p>2x i20 самоклейка <b>s100</b></p>	<p>2x <b>g2</b></p>	<p>2x <b>z100/1<sup>3</sup></b></p>	<p>2x <b>z100/1<sup>4</sup></b></p>	
<p>2x <math>\phi 6,3 \times 13</math> mm <b>e2</b></p>	<p>x2</p> <p>x2</p> <p>x2</p>				

I

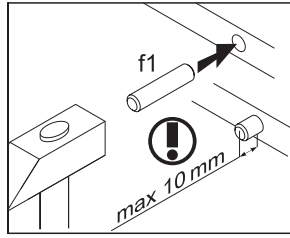
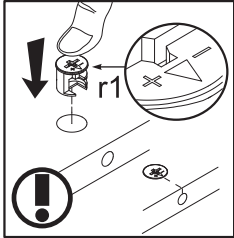
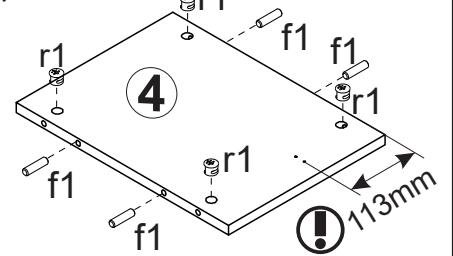
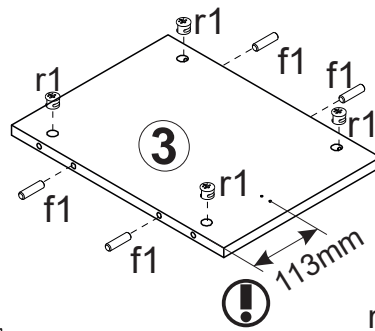
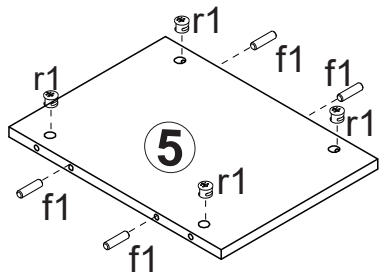


A	B	C		D
1	RB2-009	696	299	2/3
2	RB2-010	696	299	2/3
3	RB2-111	287	397	2/3
4	RB2-112	287	397	2/3
5	RB2-113	287	397	2/3
6	RB2-206	1400	422	2/3
7	RB2-202	1400	397	2/3
8	RB2-903	1394	320	2/3

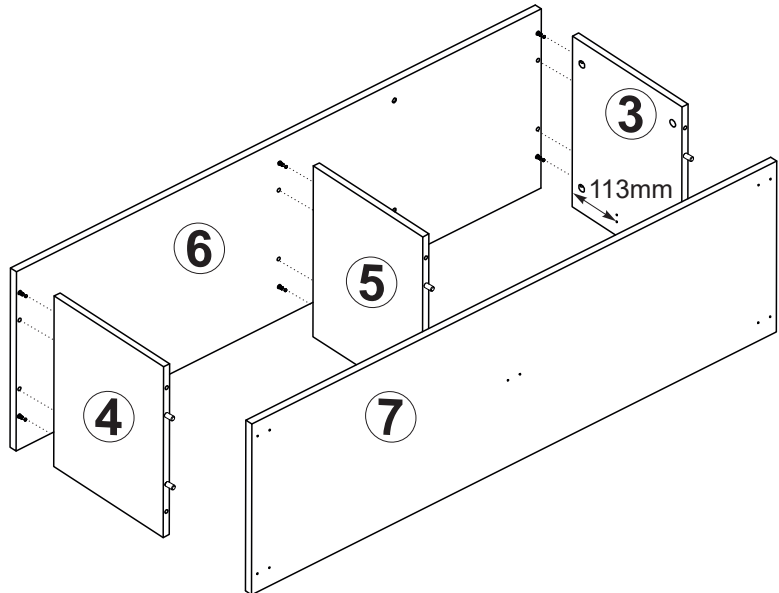
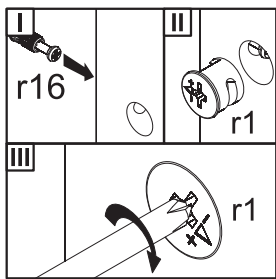
1 §2



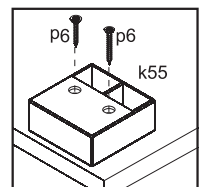
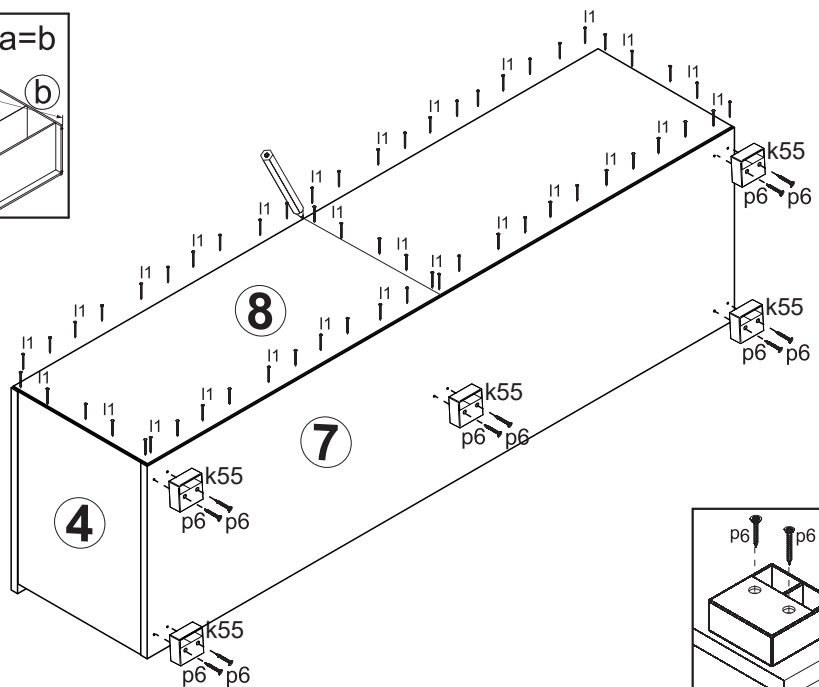
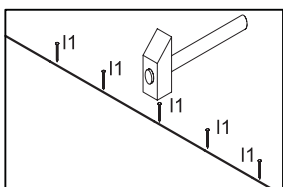
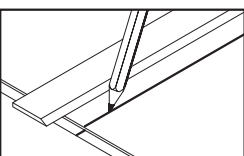
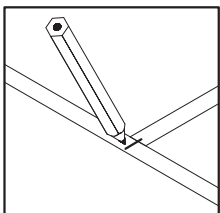
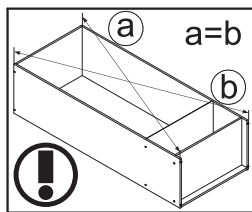
# 2



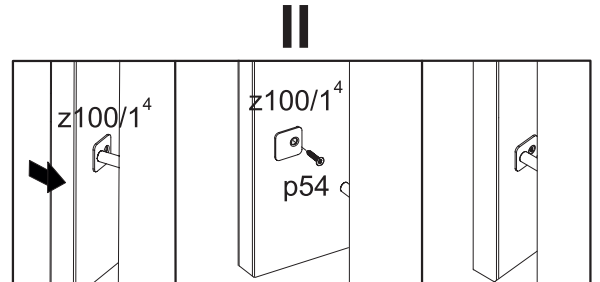
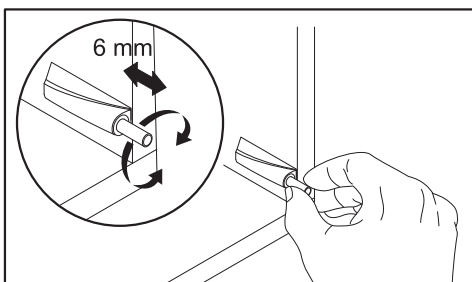
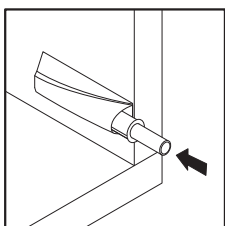
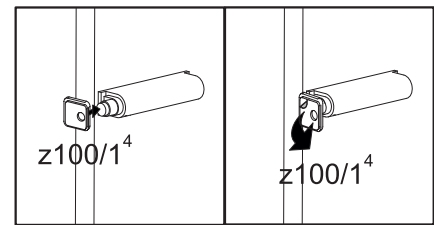
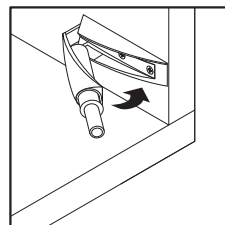
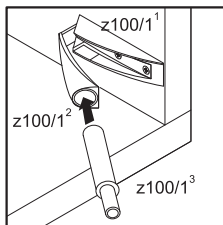
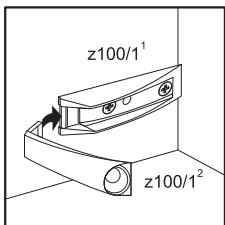
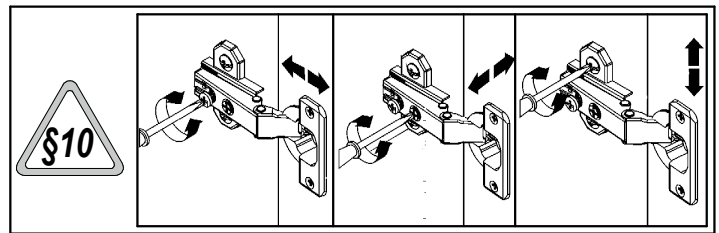
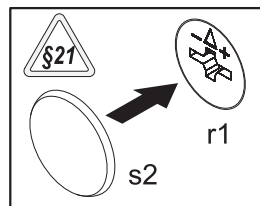
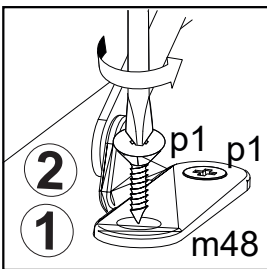
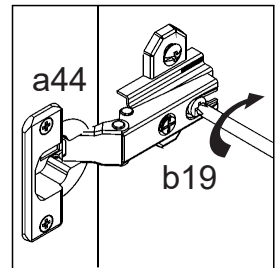
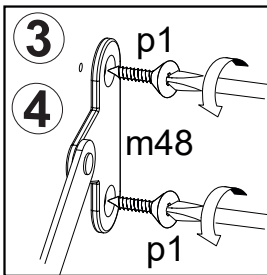
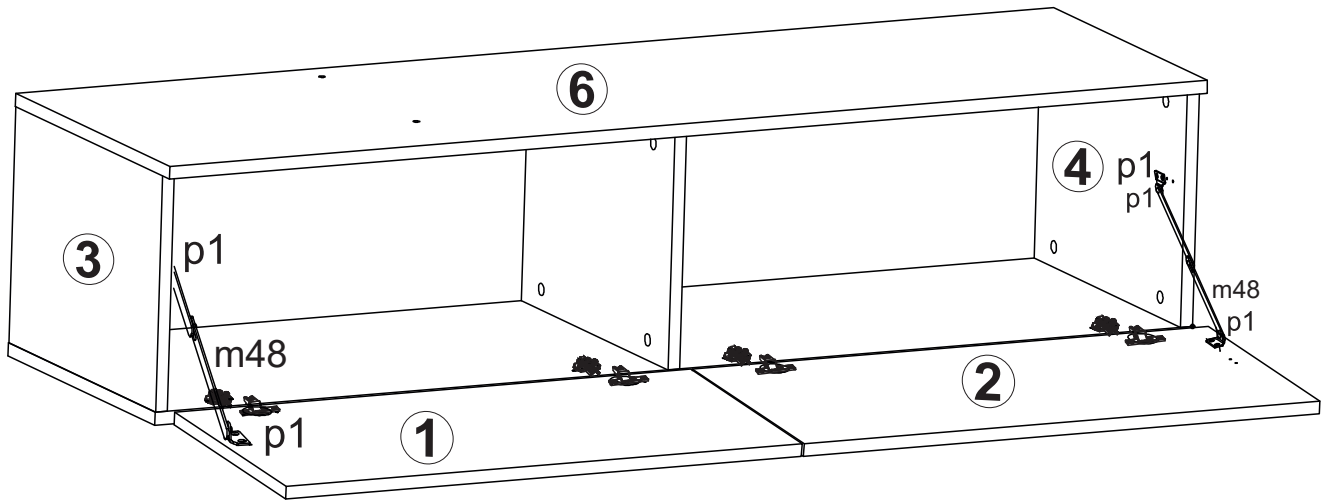
# 3



# 4

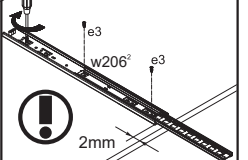
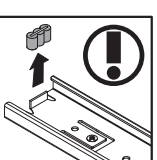
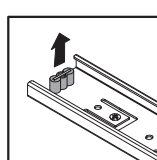
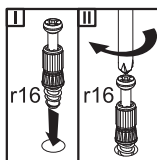
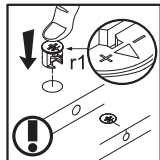
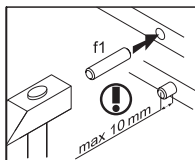
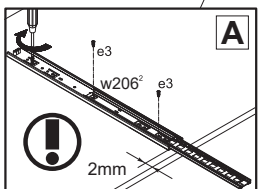
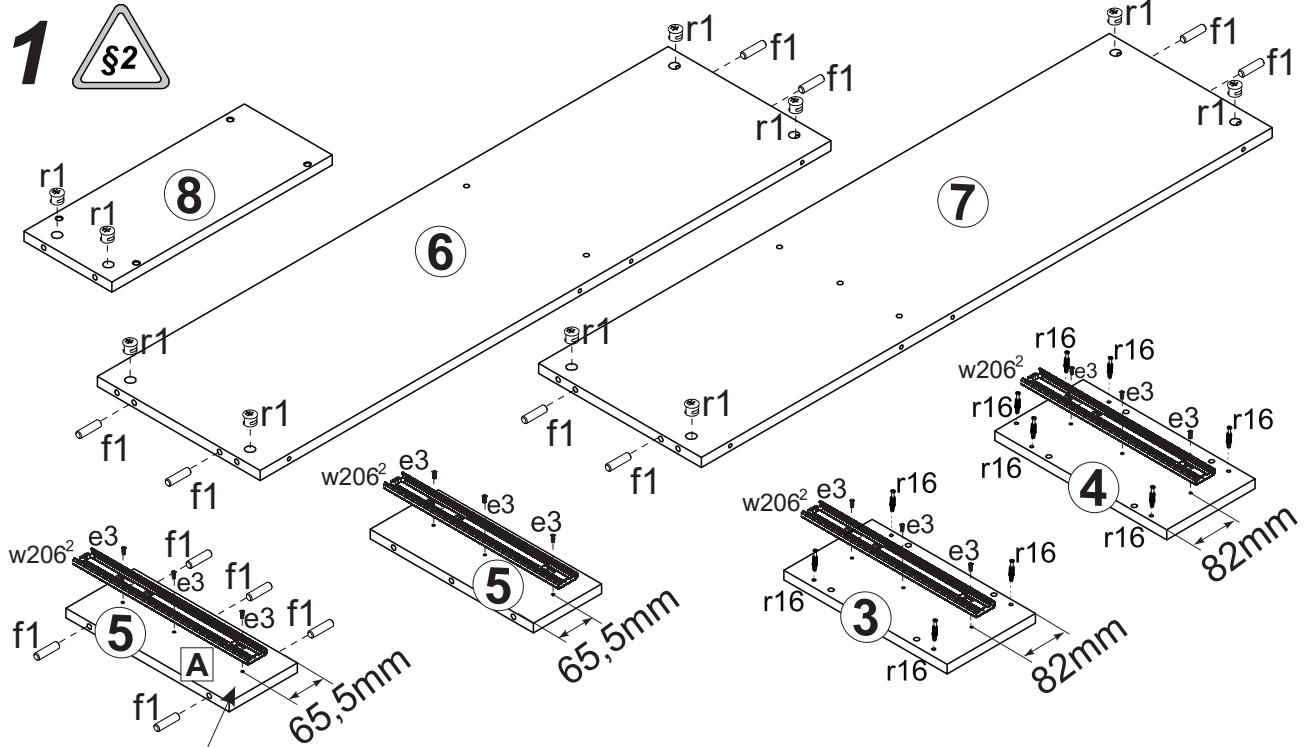
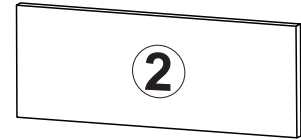
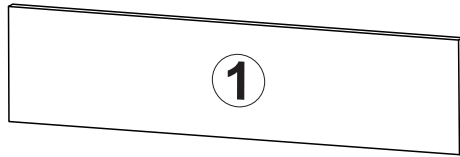
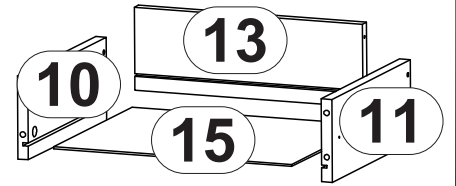
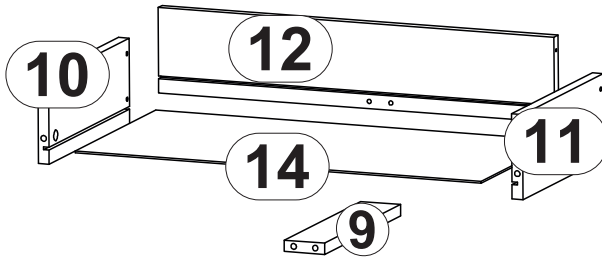
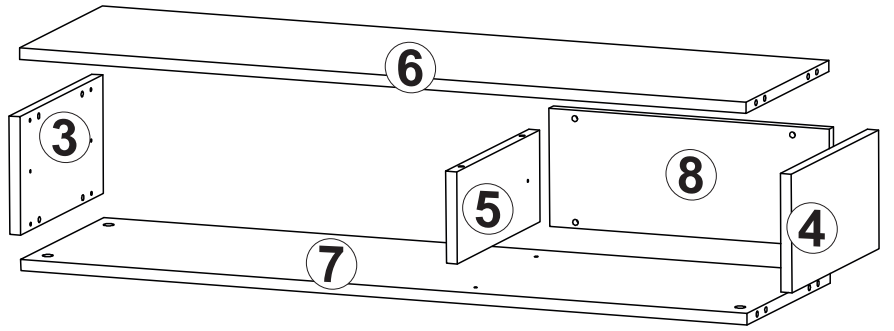


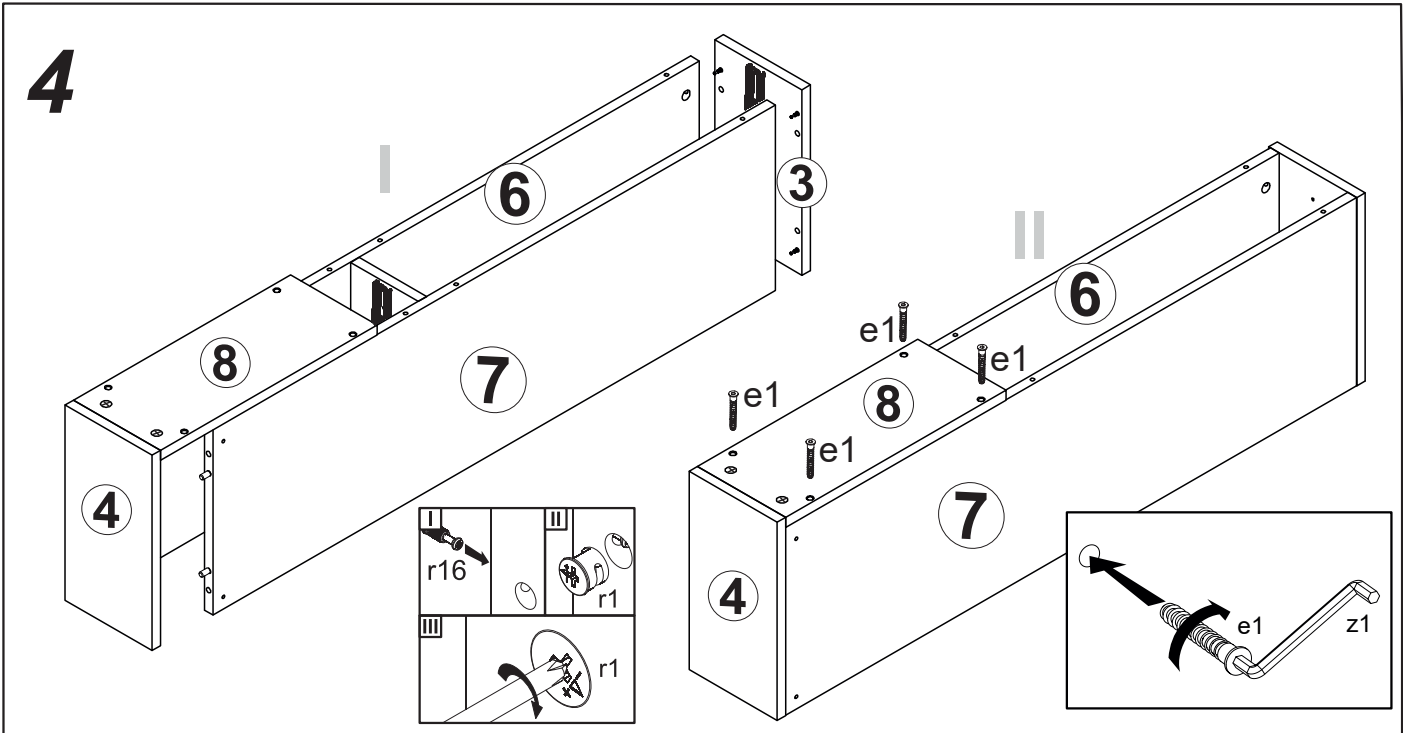
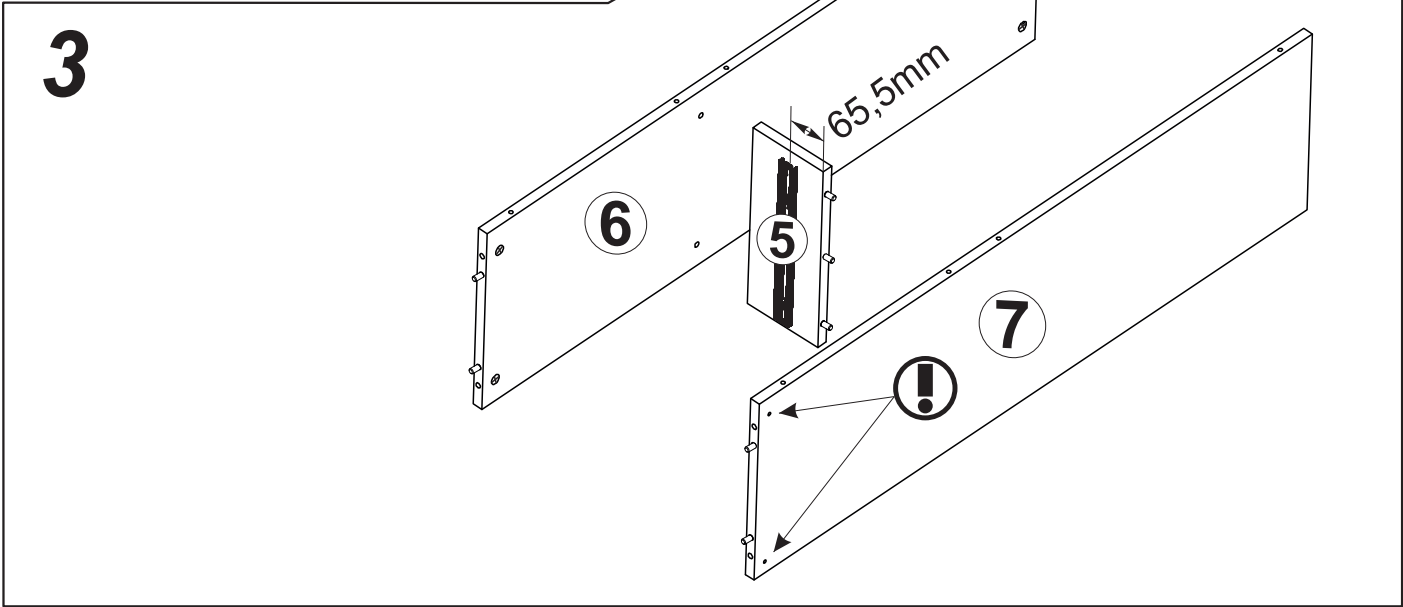
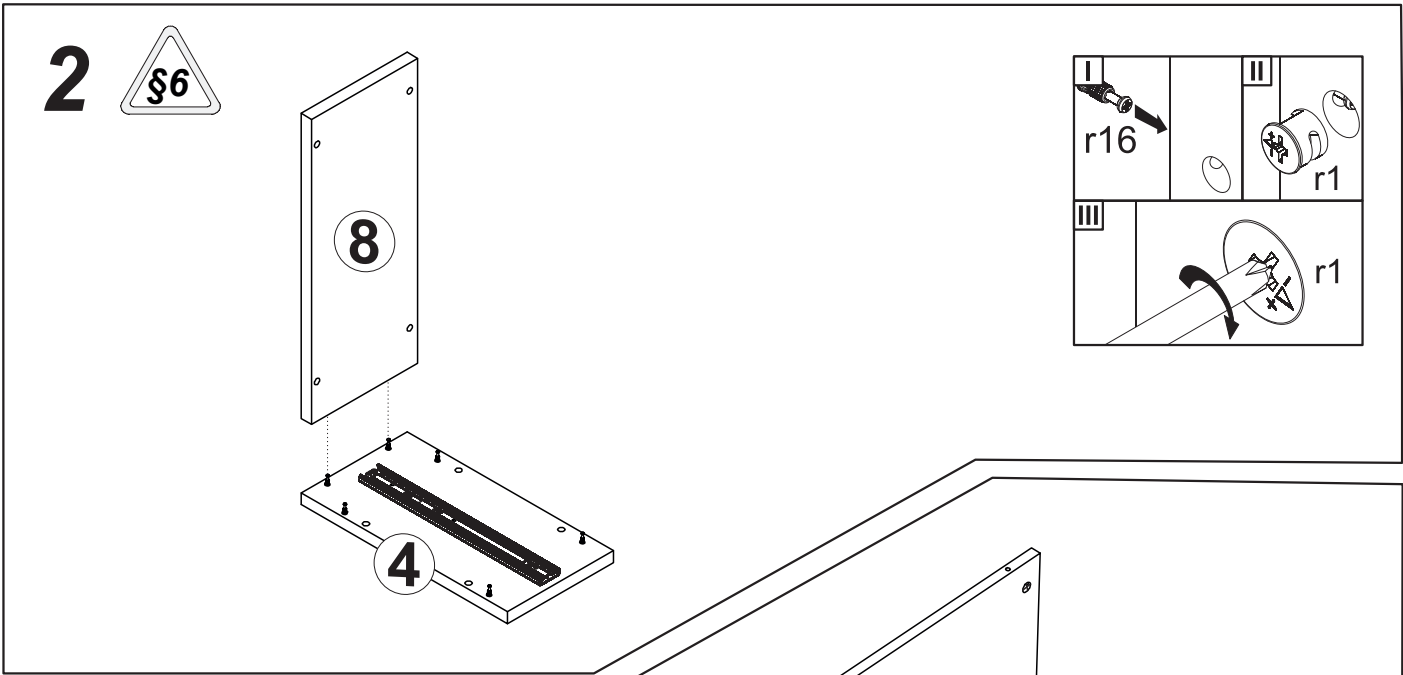
# 5



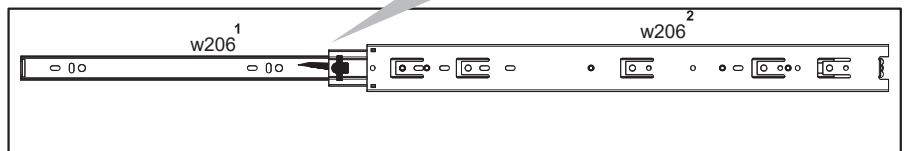
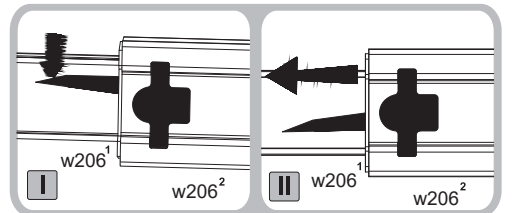
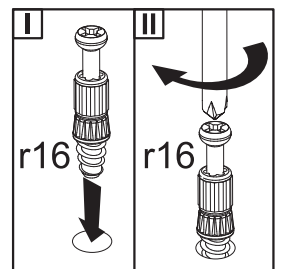
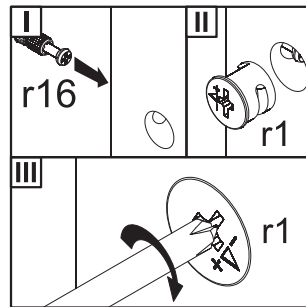
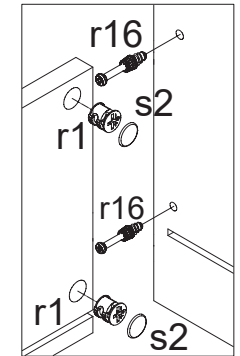
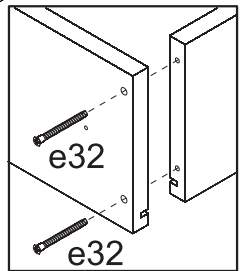
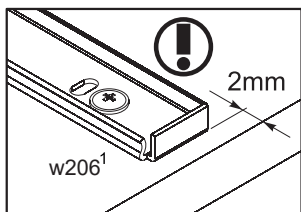
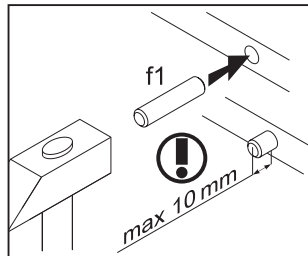
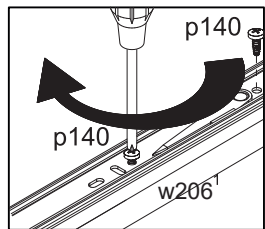
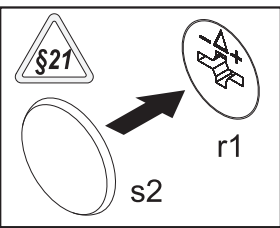
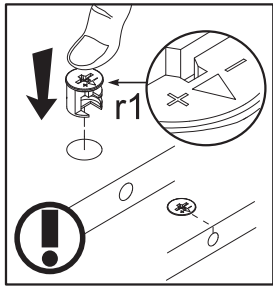
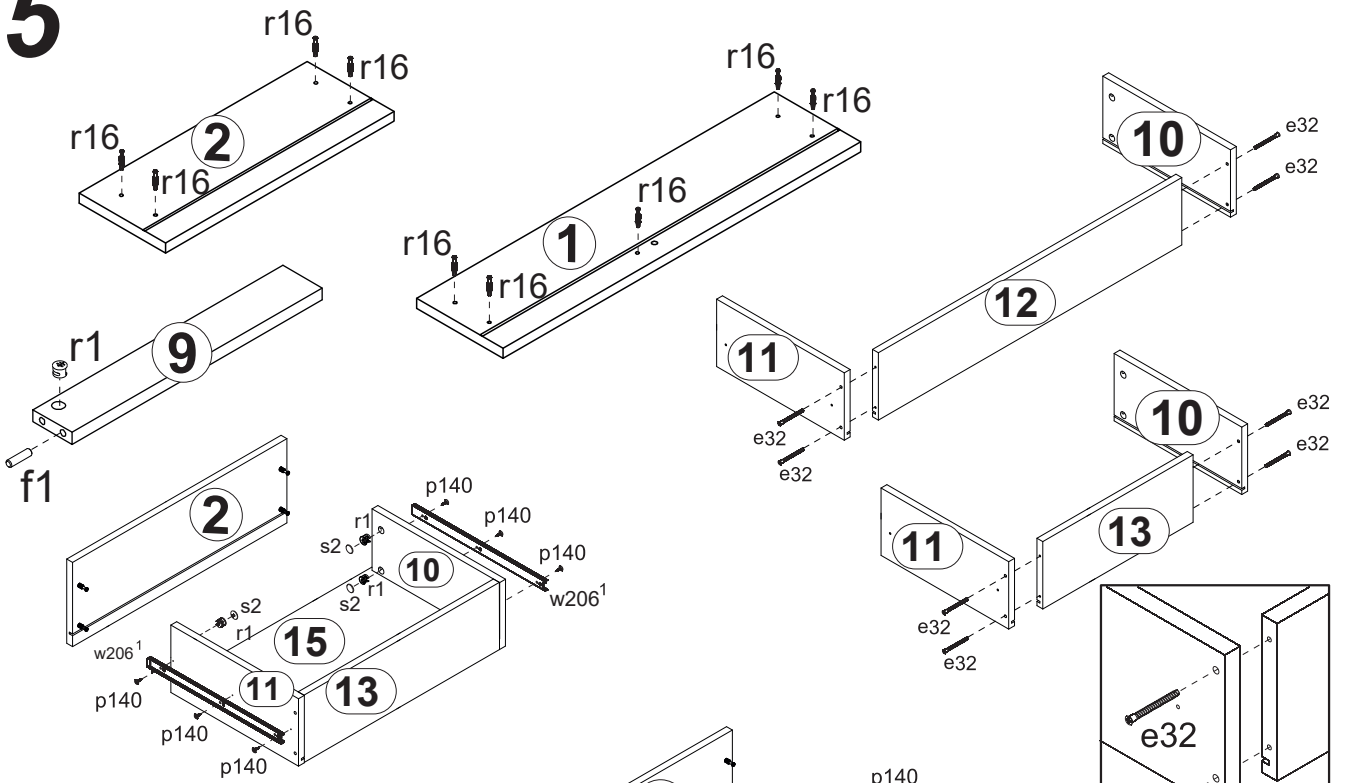
# II

A	B	C	D	
1	RB2-001	669	161	3/3
2	RB2-002	427	161	3/3
3	RB2-101	305	165	3/3
4	RB2-102	321	165	3/3
5	RB2-103	305	128	3/3
6	RB2-301	1068	305	3/3
7	RB2-302	1068	305	3/3
8	RB2-401	412	165	3/3
9	RB2-402	283	60	3/3
10	RB2-551	300	120	3/3
11	RB2-552	300	120	3/3
12	RB2-553	588	120	3/3
13	RB2-554	348	120	3/3
14	RB2-901	299	603	3/3
15	RB2-902	299	363	3/3





# 5

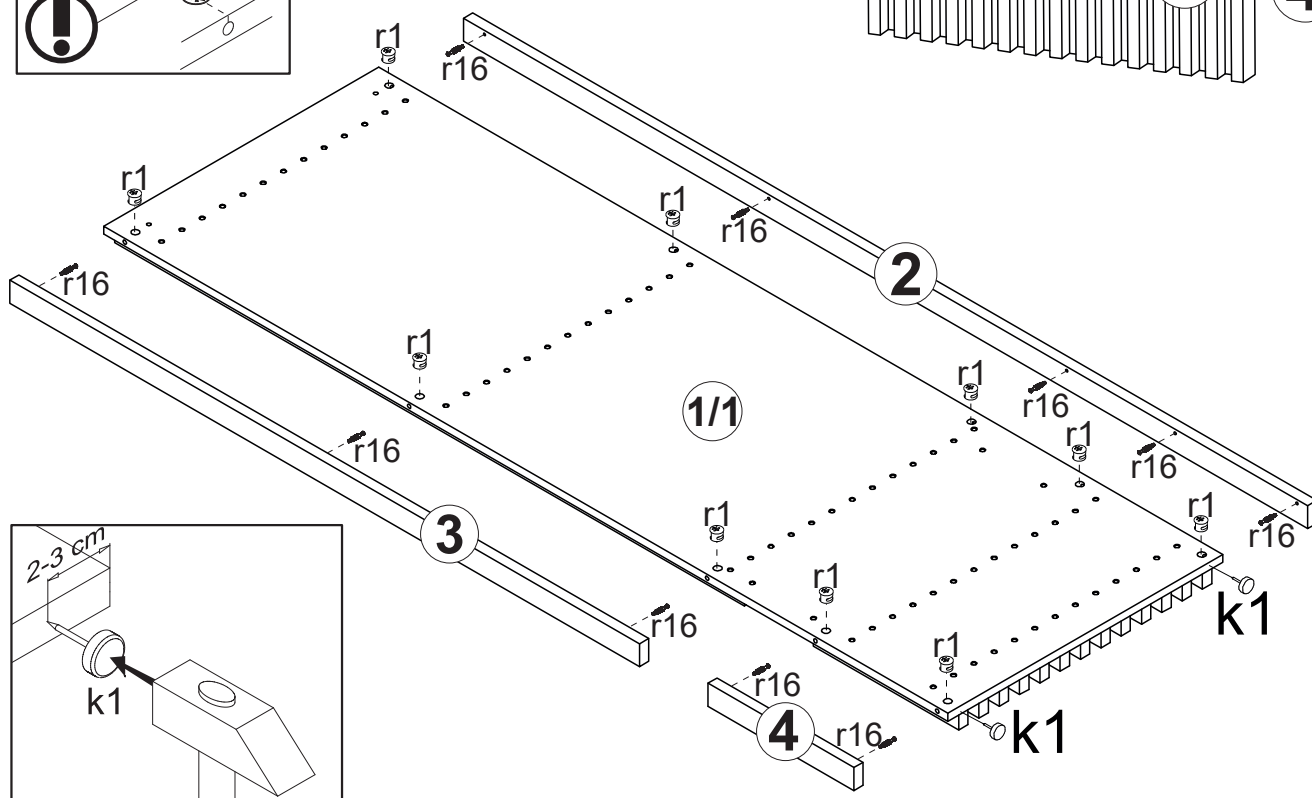
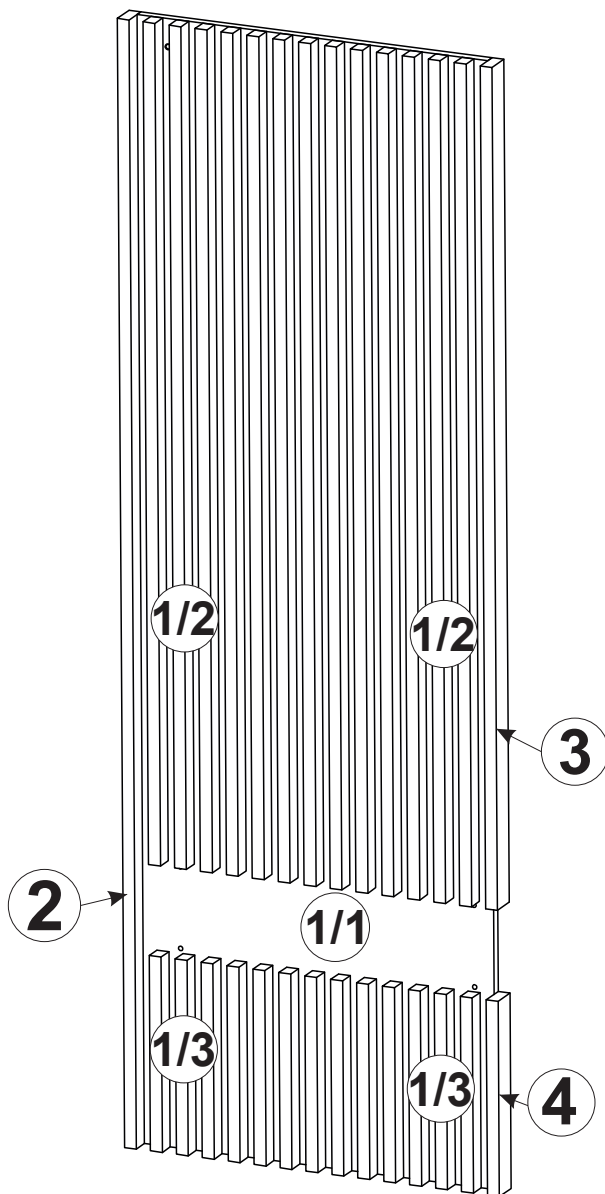
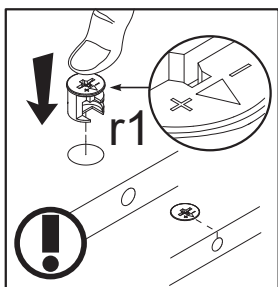
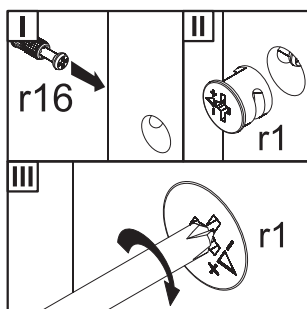
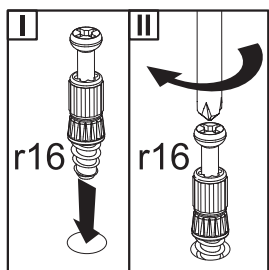


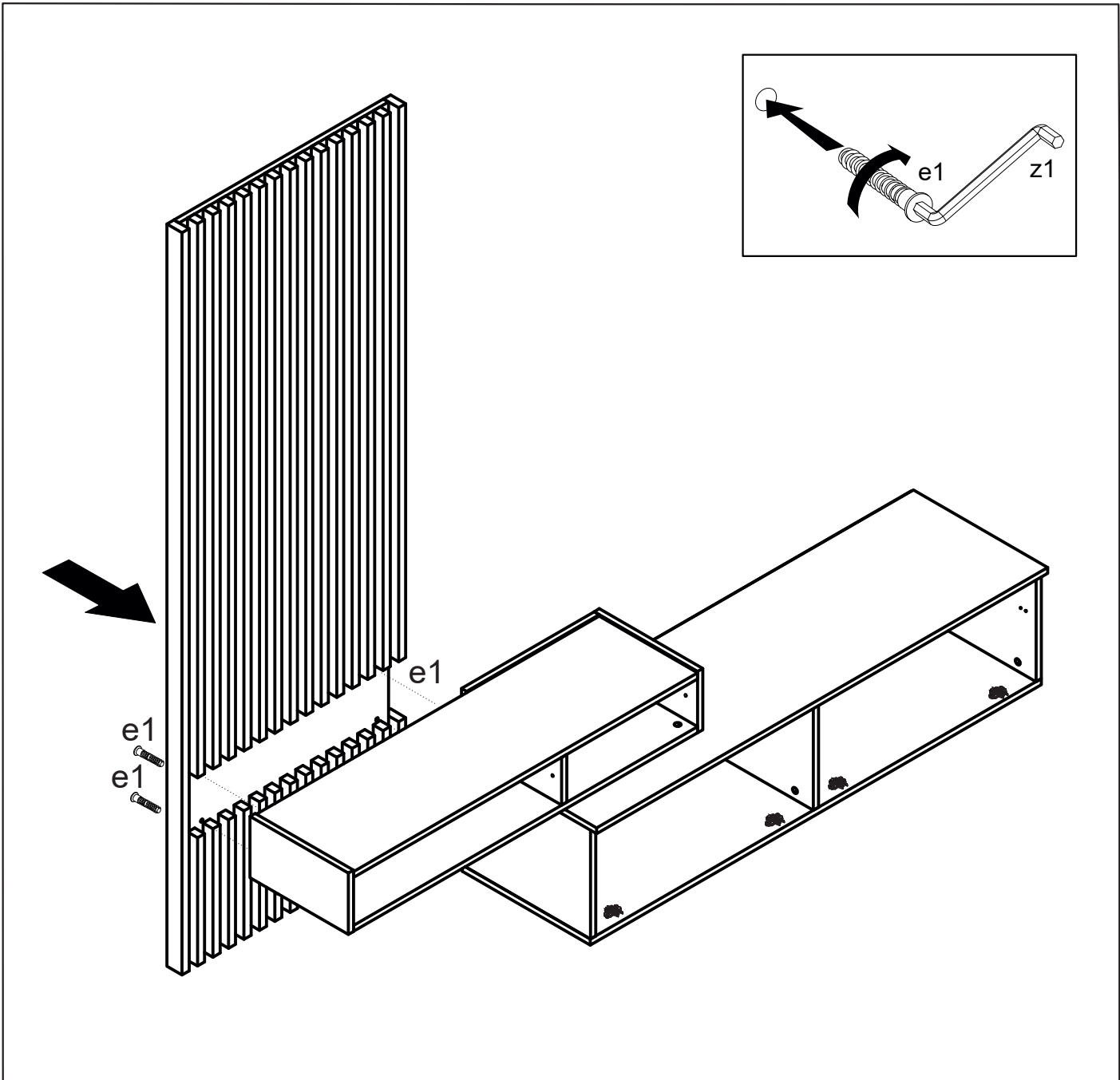
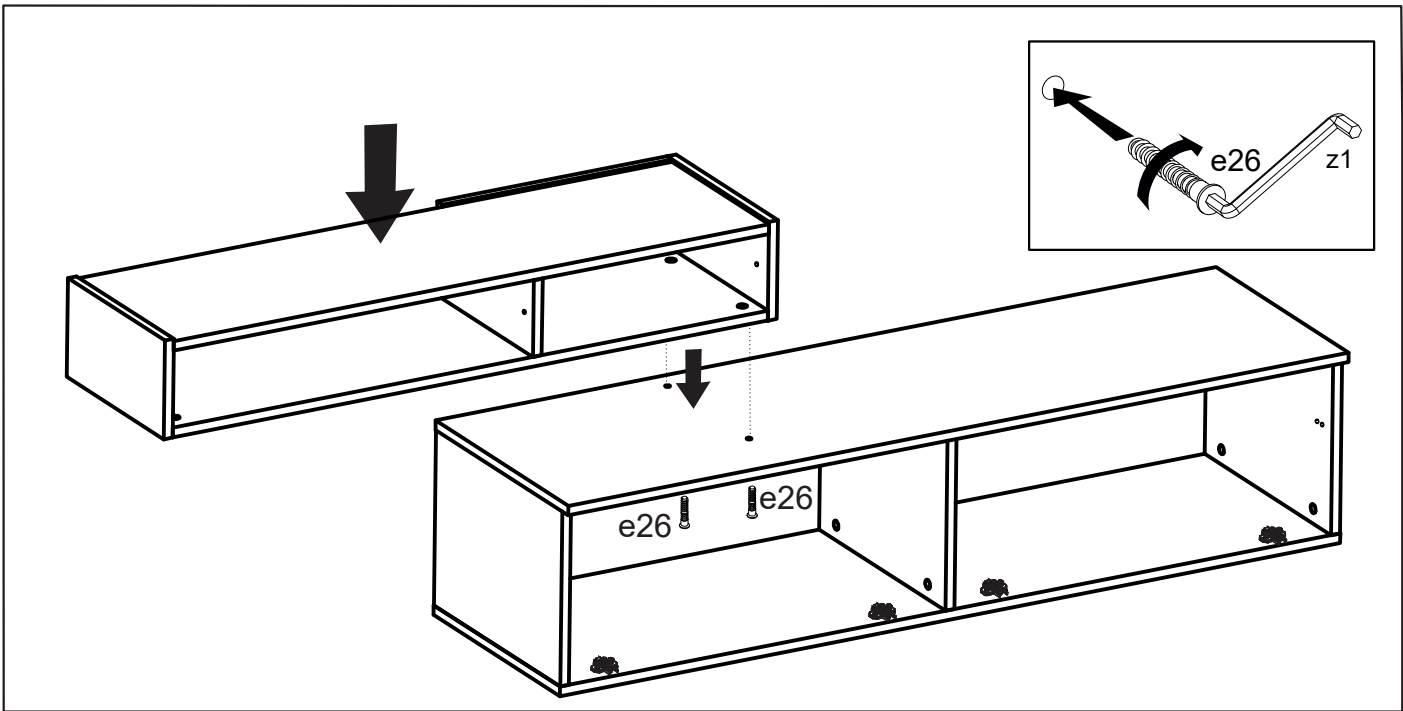


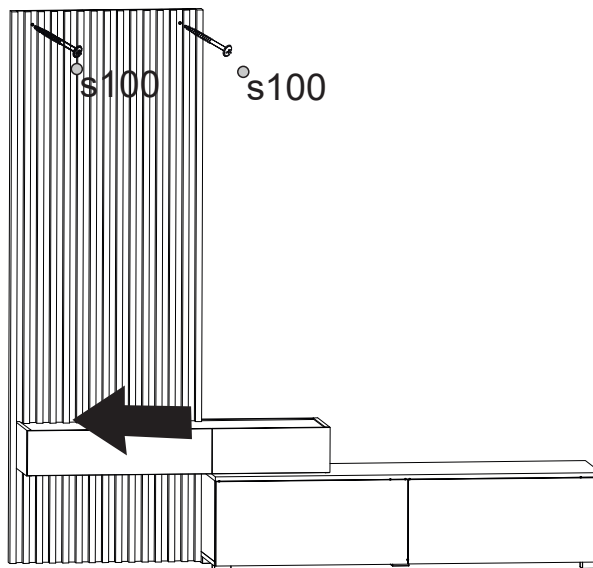
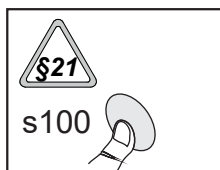
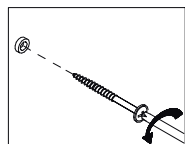
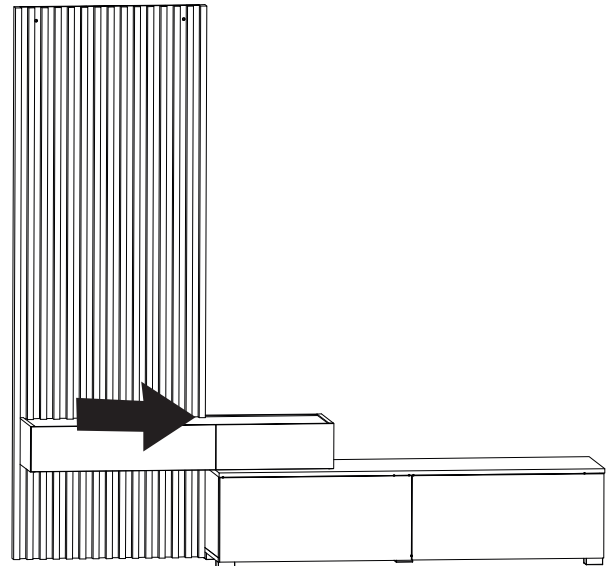
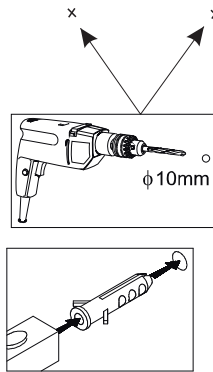
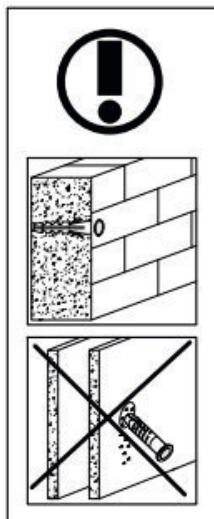
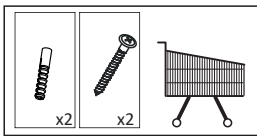
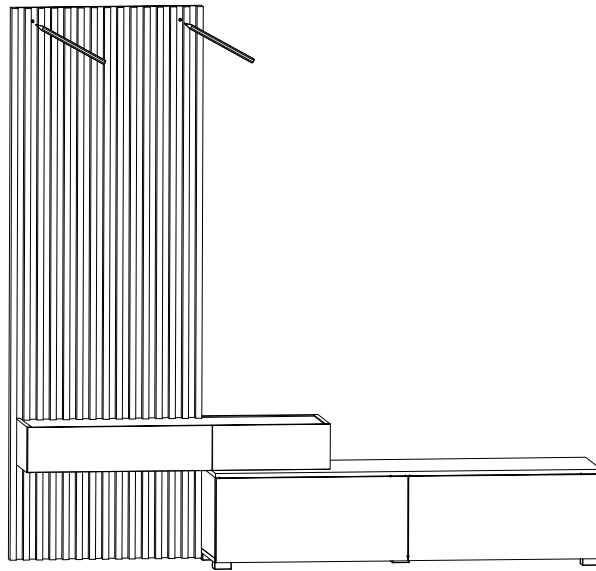
A	B	C		D
1	RB2- 501	1995	650	1/3



1/1	RB2- 403	1995	650	1/3
1/2	RB2- 405	1488	31	1/3
1/3	RB2- 406	345	31	1/3
2	RB2- 404	1995	47	1/3
3	RB2- 407	1488	47	1/3
4	RB2- 408	345	47	1/3

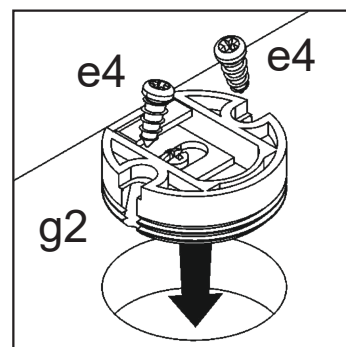
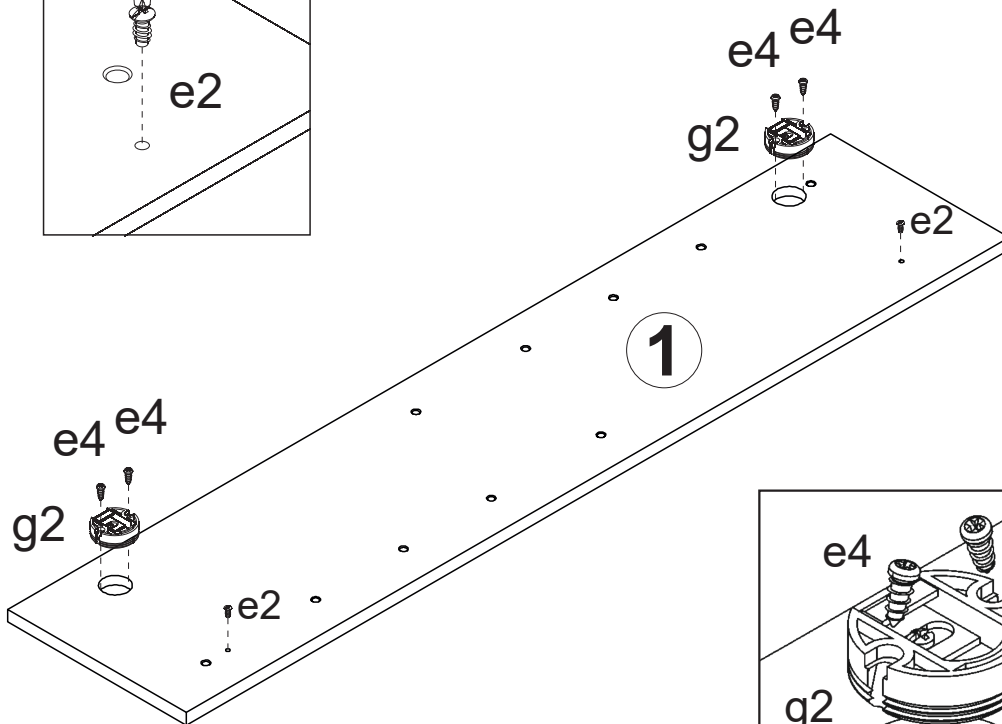
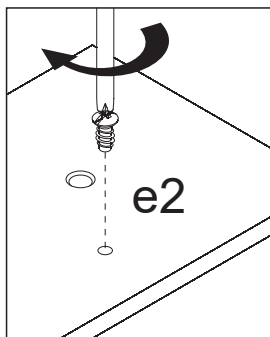
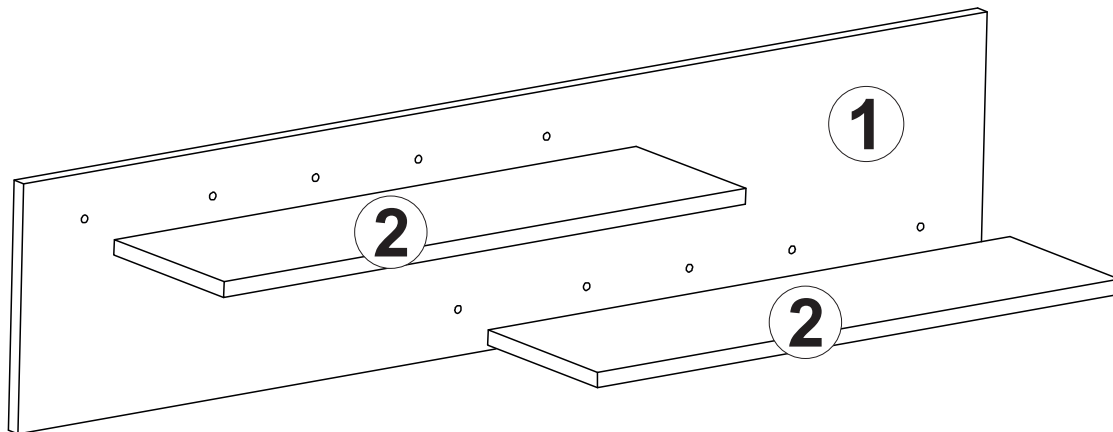




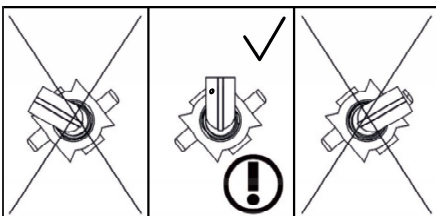
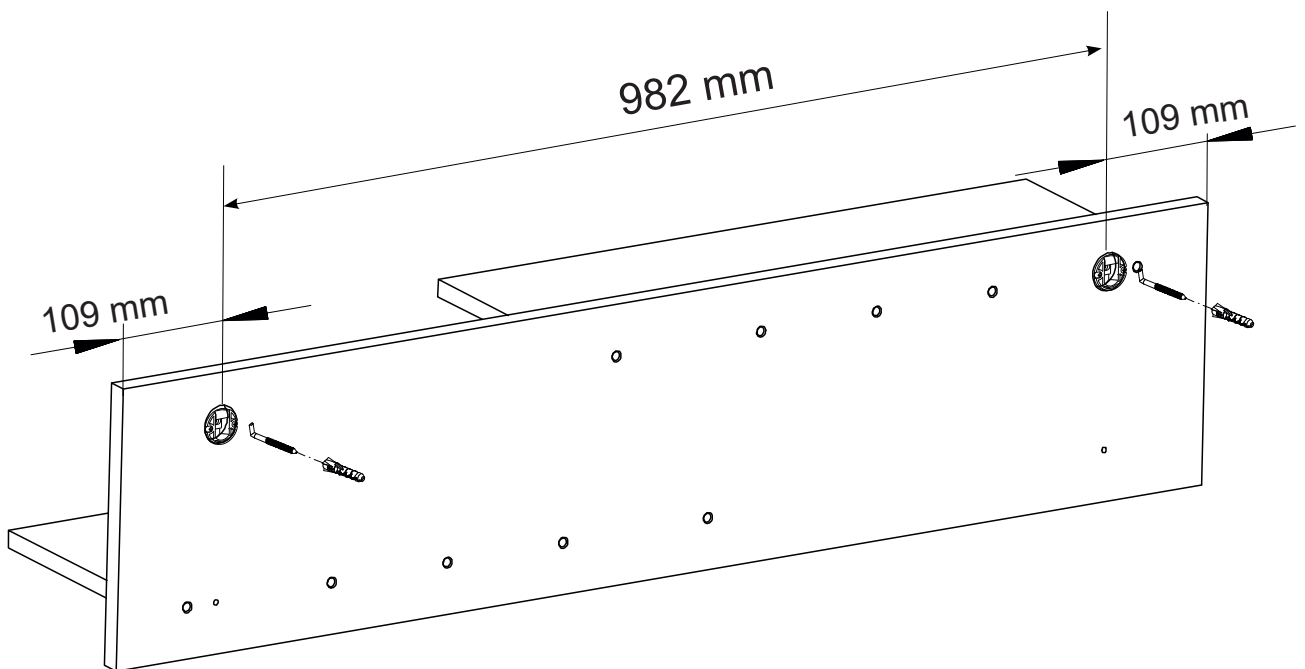
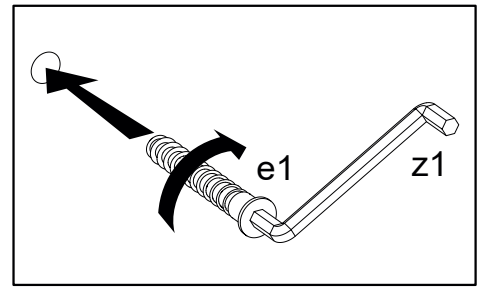
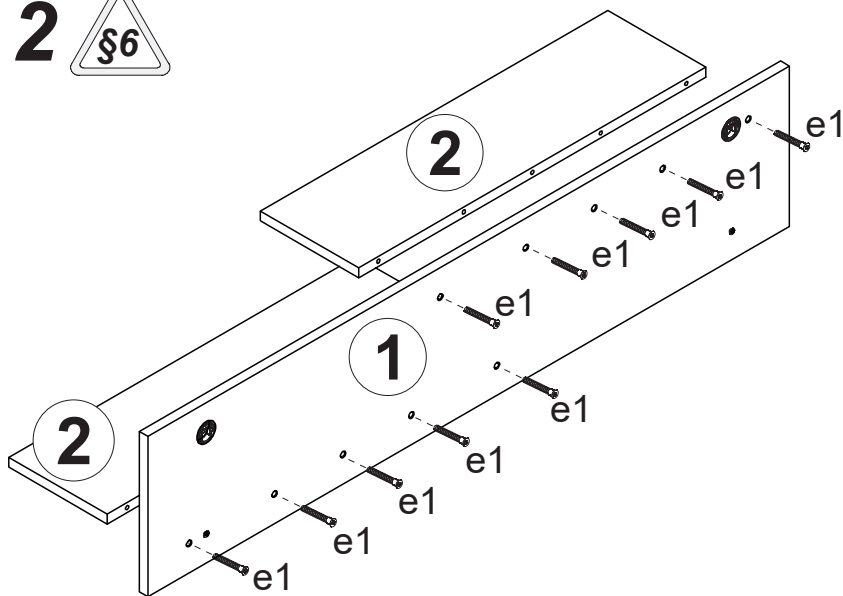


# IV

A	B	C		D
1	RB2 -409	1200	260	2/3
2	RB2 -303	650	184	3/3



**2** §6



§10

