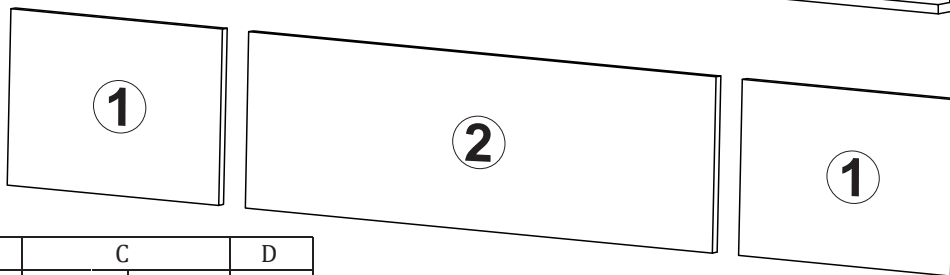
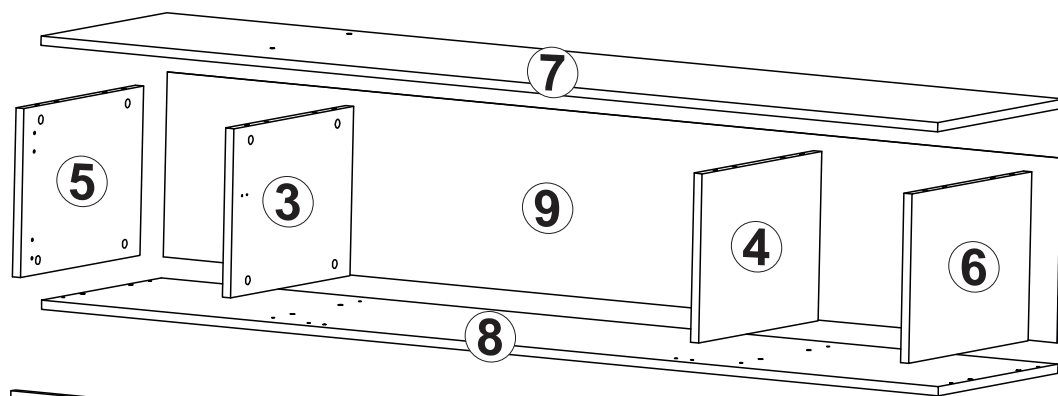


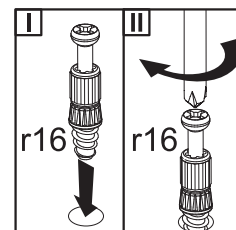
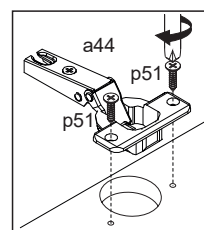
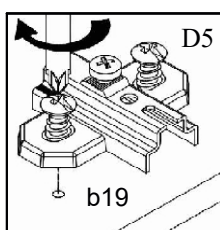
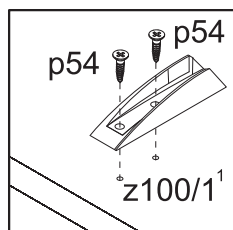
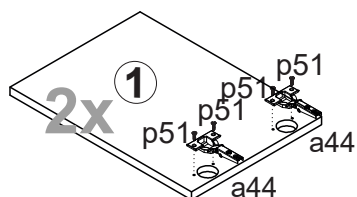
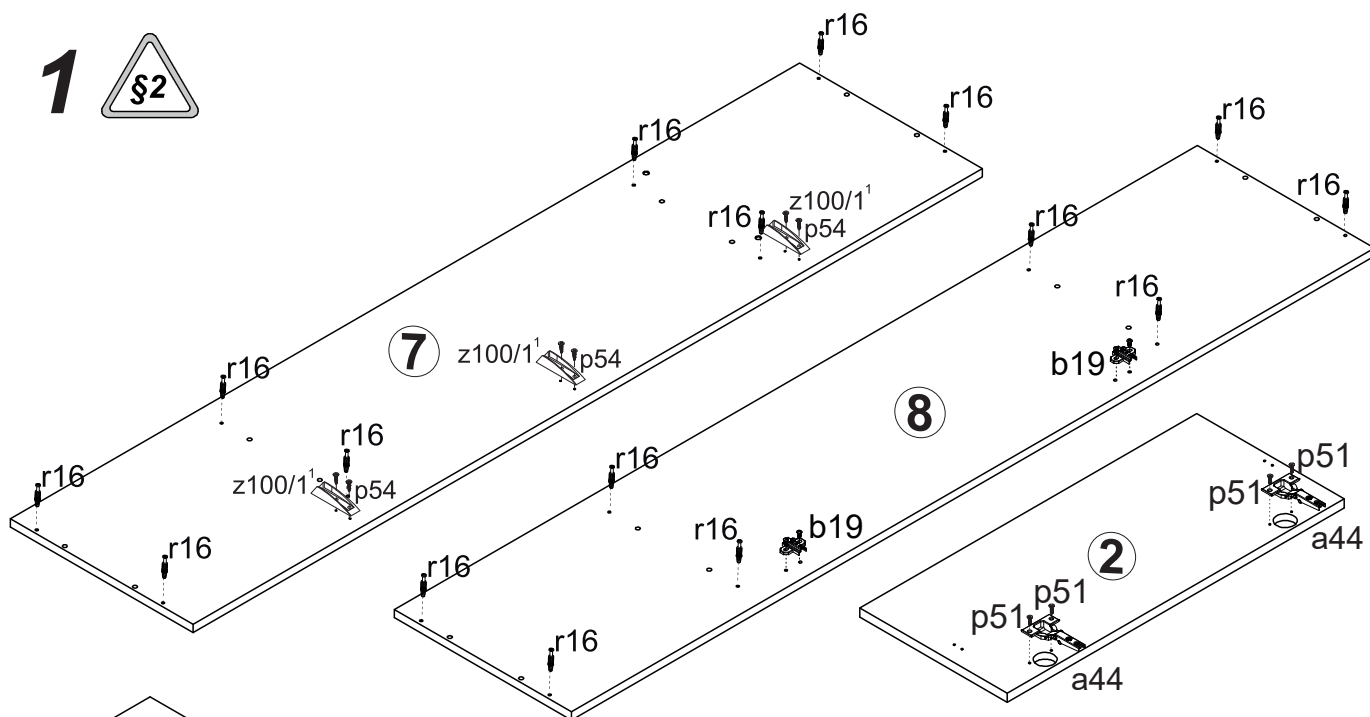
6x  k0 <b>a44</b>	6x  D5 <b>b19</b>	18x  φ7x50 mm <b>e1</b>	2x  <b>k1</b>	12x  φ3,5x15 mm <b>p51</b>	24x  φ16 <b>s2</b>
30x  φ8x30 mm <b>f1</b>	45x  φ15x12mm #16 <b>r1</b>	45x  20/9 <b>r16</b>	12x  φ3,5x12 mm <b>p140</b>	50x  <b>l1</b>	10x  φ5x50 mm <b>e32</b>
2x  L-230 <b>m48</b>	8x  φ3,5x13 mm <b>p1</b>	12x  φ6x13 mm <b>e3</b>	4x  φ5x11 mm <b>e4</b>	1x  <b>z1</b>	2x  φ7x35 mm <b>e26</b>
6x  60x60x25 mm <b>k55</b>	4x  300mm <b>w206<sup>1</sup></b>	4x  300mm <b>w206<sup>2</sup></b>	9x  φ3x12 mm <b>p54</b>	3x  <b>z100/1<sup>1</sup></b>	3x  <b>z100/1<sup>2</sup></b>
12x  φ4x35 mm <b>p6</b>	2x  i20 самоклейка <b>s100</b>	2x  <b>g2</b>	3x  <b>z100/1<sup>3</sup></b>	3x  <b>z100/1<sup>4</sup></b>	
2x  φ6,3x13 mm <b>e2</b>					

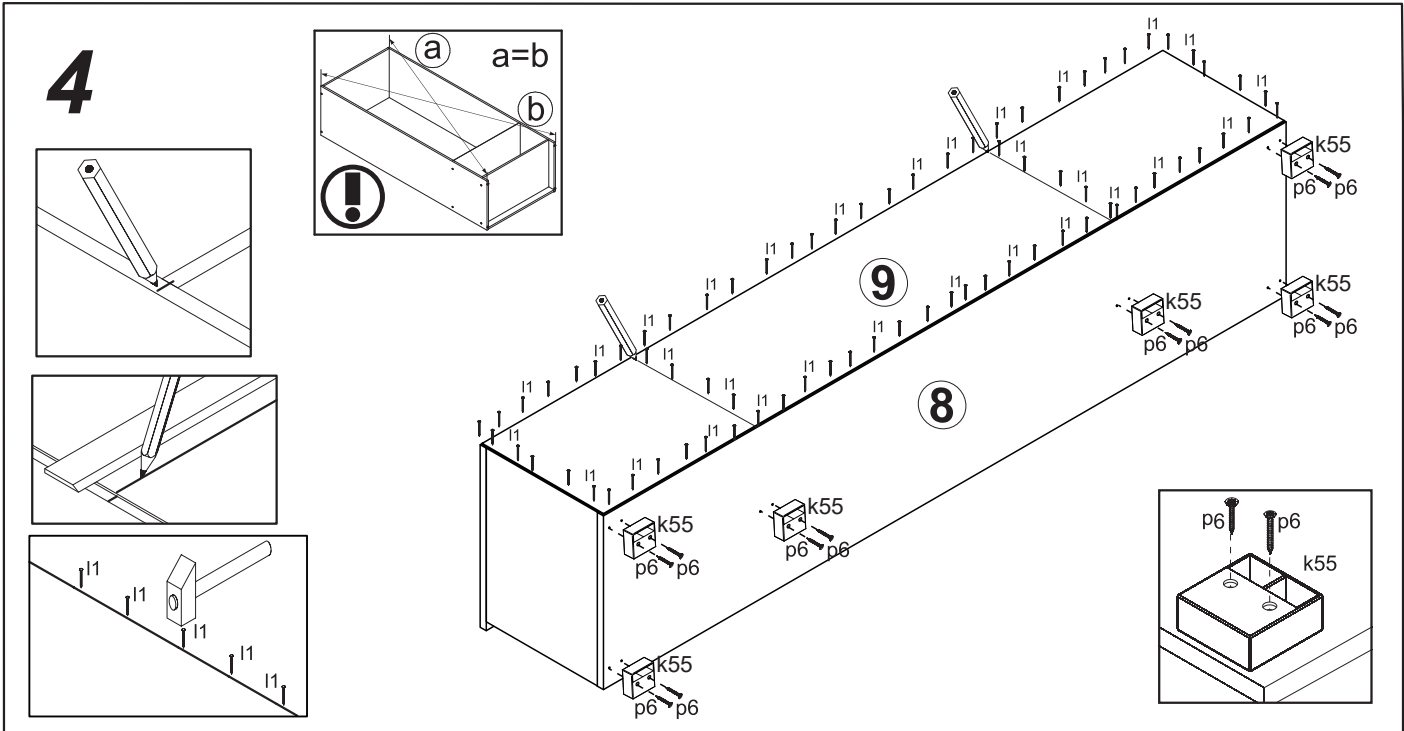
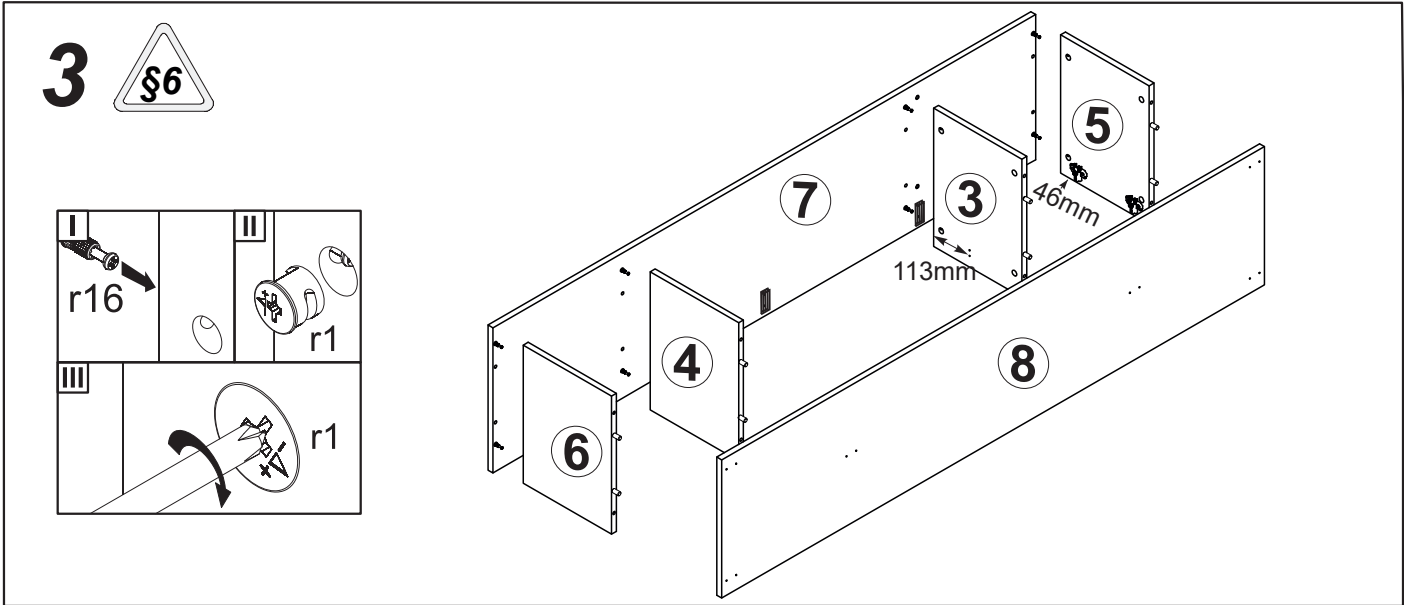
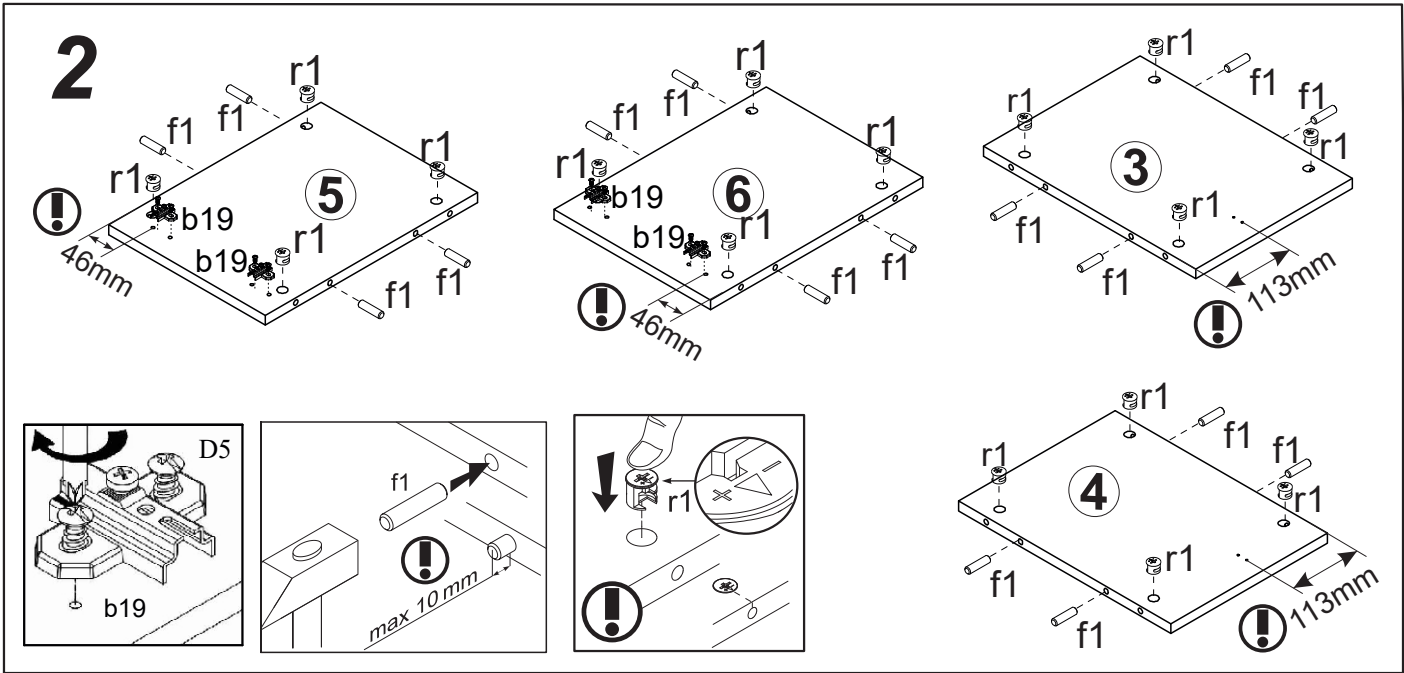
# I



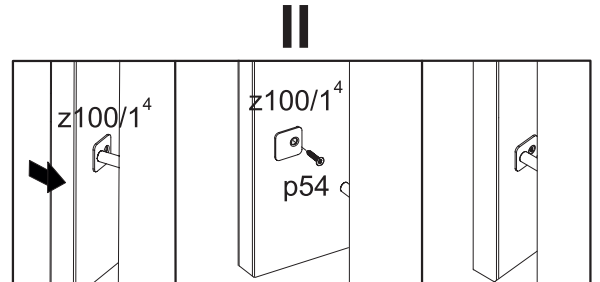
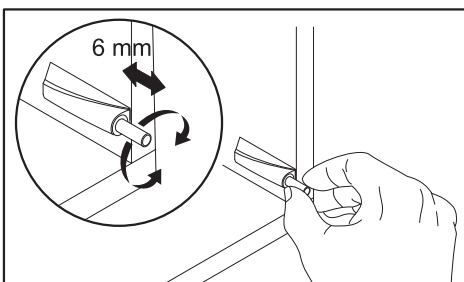
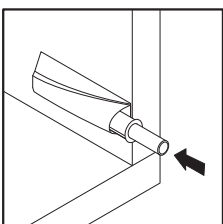
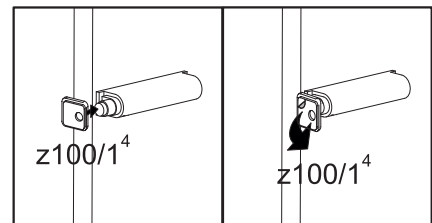
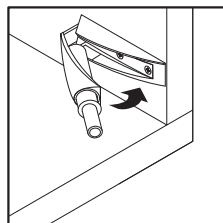
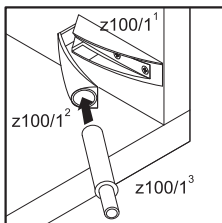
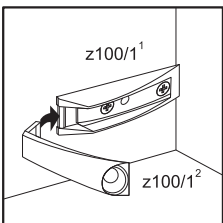
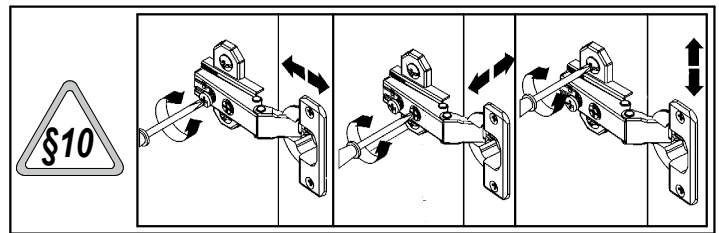
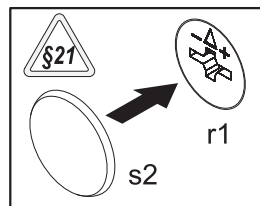
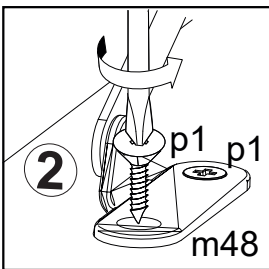
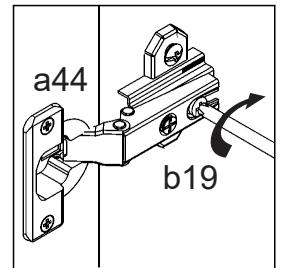
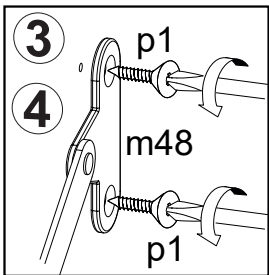
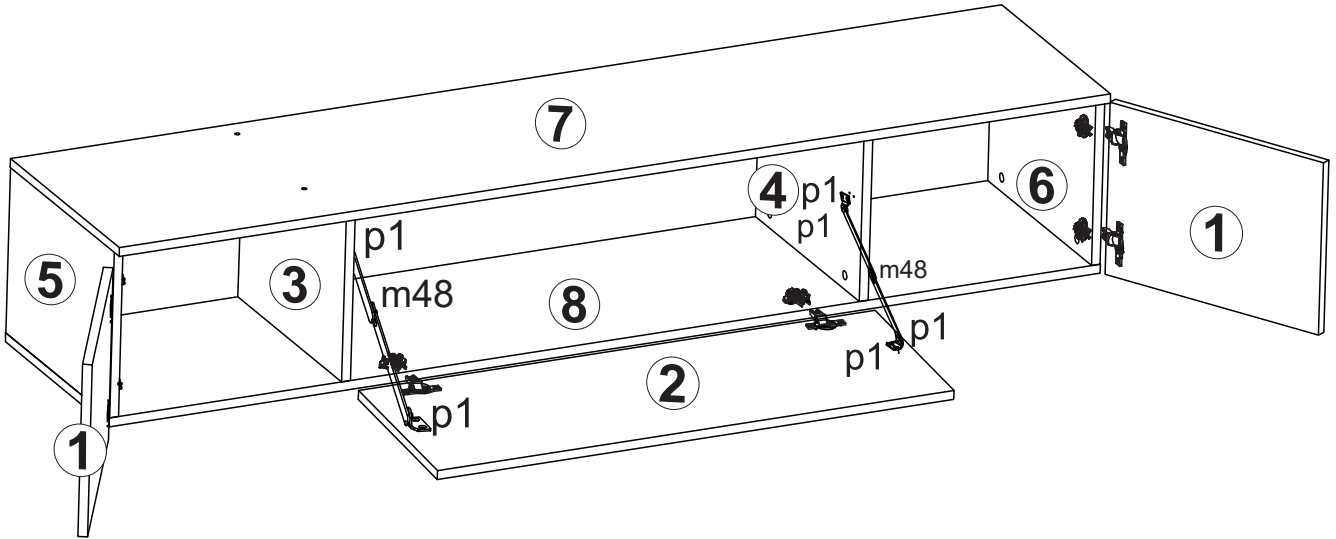
A	B	C	D	
1	RB2-007	425	299	2/3
2	RB2-008	938	299	2/3
3	RB2-111	287	397	2/3
4	RB2-112	287	397	2/3
5	RB2-109	287	397	2/3
6	RB2-110	287	397	2/3
7	RB2-205	1800	422	2/3
8	RB2-204	1800	397	2/3
9	RB2-904	1794	320	2/3

# 1



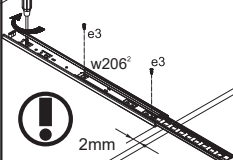
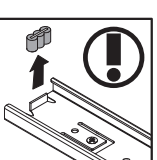
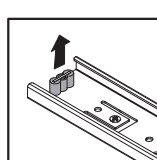
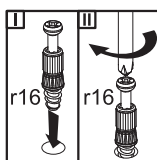
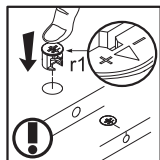
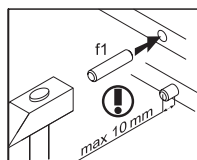
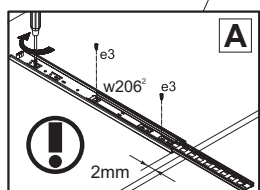
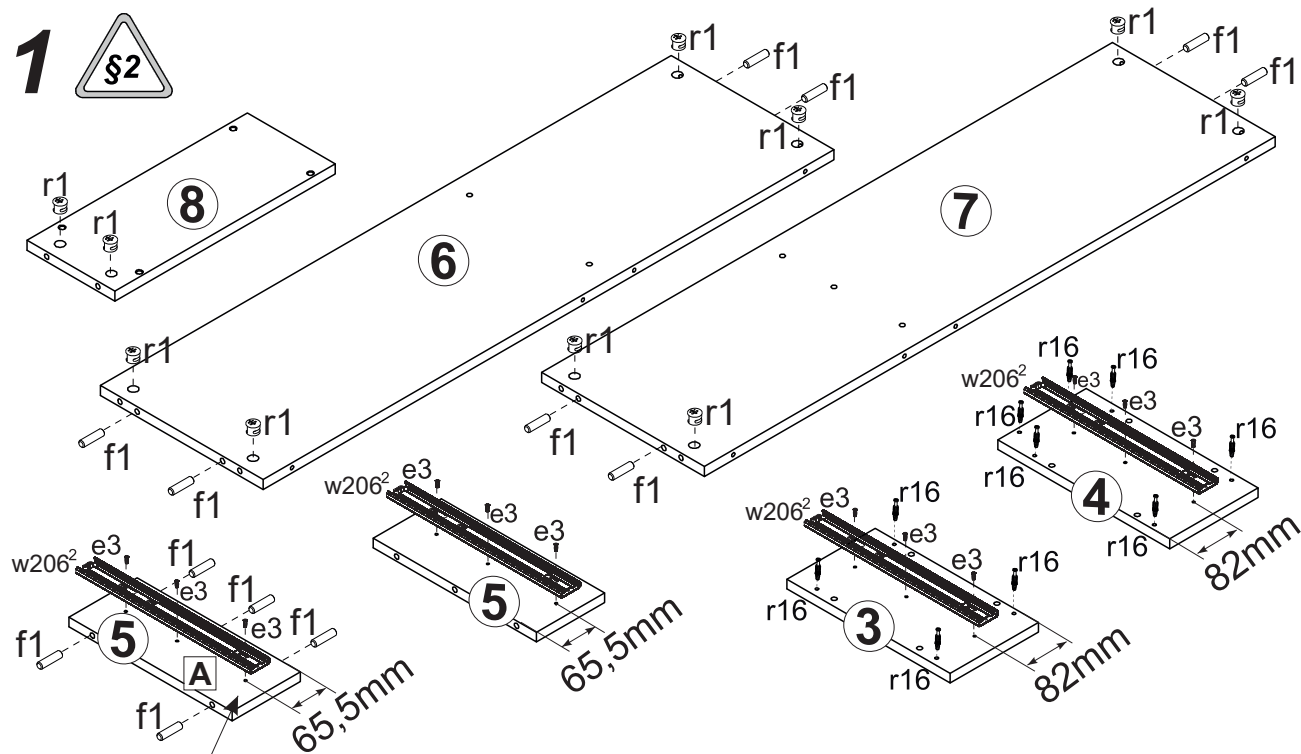
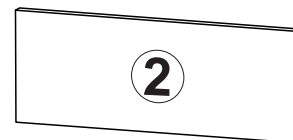
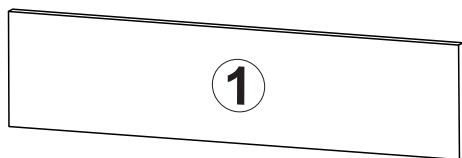
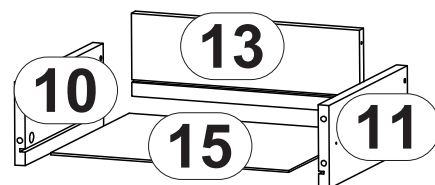
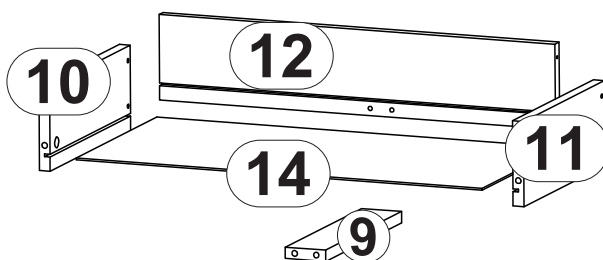
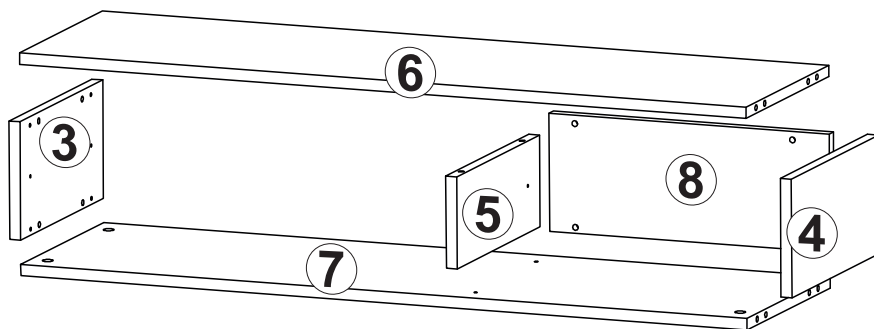


# 5



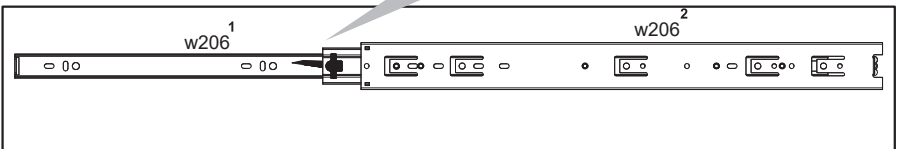
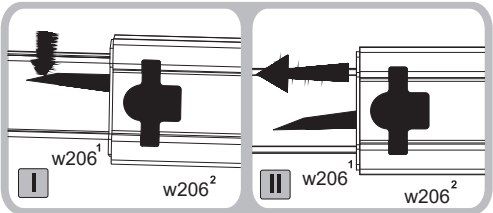
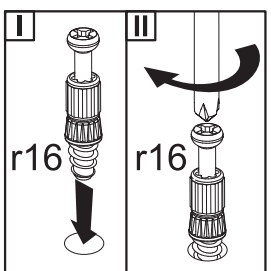
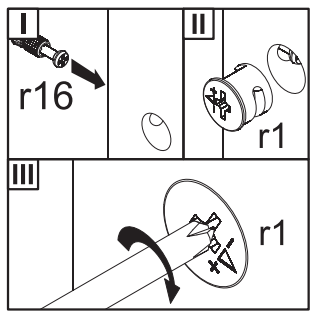
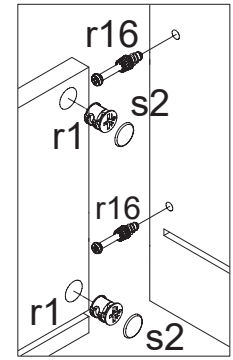
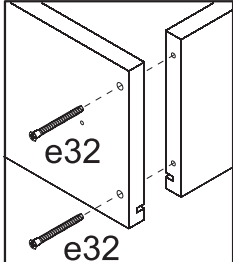
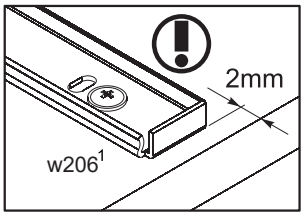
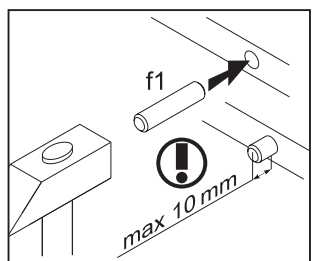
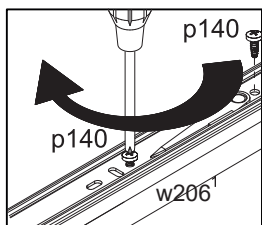
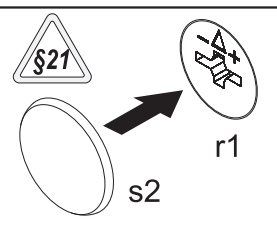
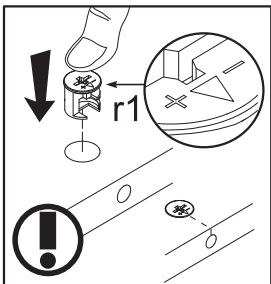
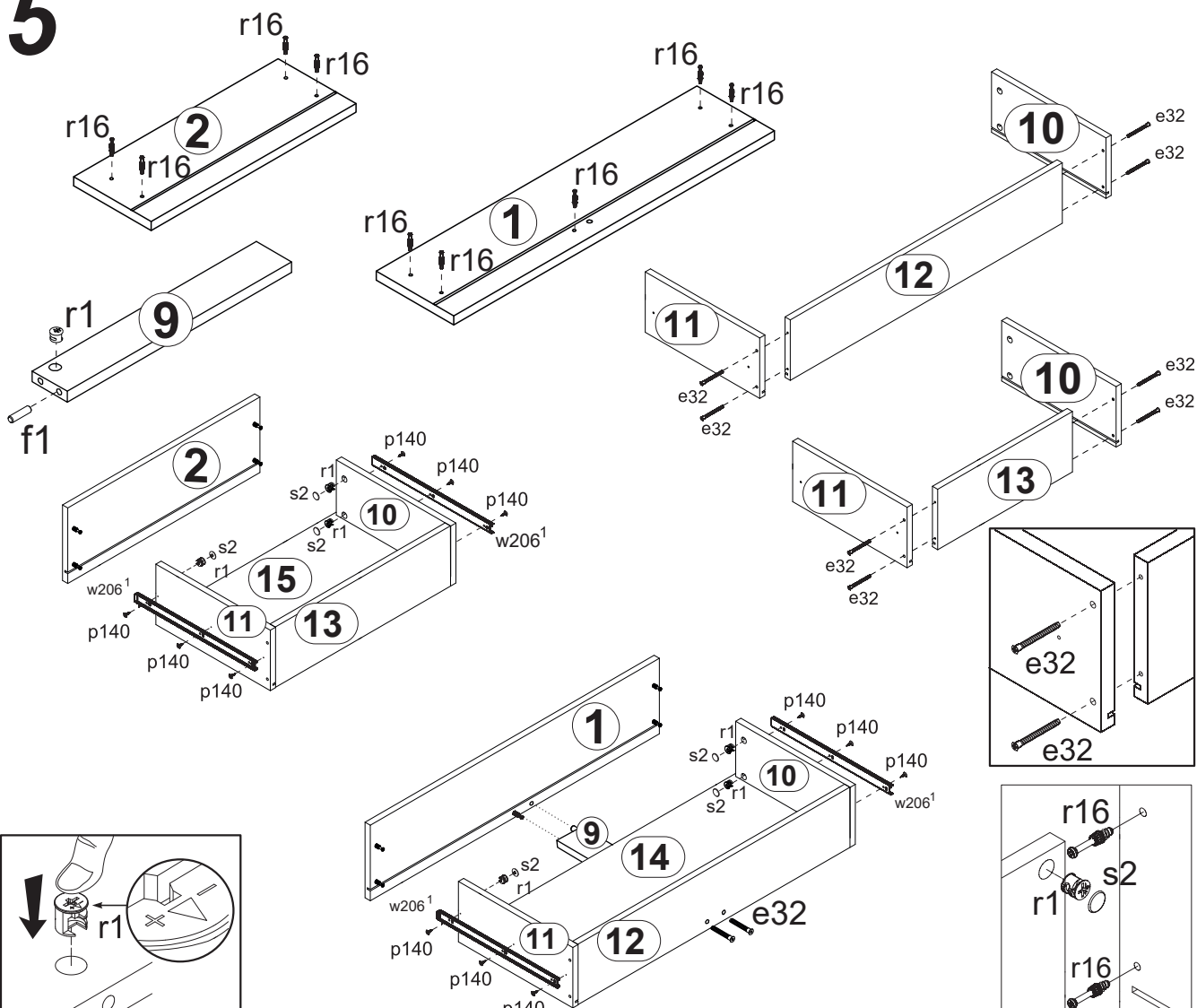
# II

A	B	C	D	
1	RB2-001	669	161	3/3
2	RB2-002	427	161	3/3
3	RB2-101	305	165	3/3
4	RB2-102	321	165	3/3
5	RB2-103	305	128	3/3
6	RB2-301	1068	305	3/3
7	RB2-302	1068	305	3/3
8	RB2-401	412	165	3/3
9	RB2-402	283	60	3/3
10	RB2-551	300	120	3/3
11	RB2-552	300	120	3/3
12	RB2-553	588	120	3/3
13	RB2-554	348	120	3/3
14	RB2-901	299	603	3/3
15	RB2-902	299	363	3/3





# 5

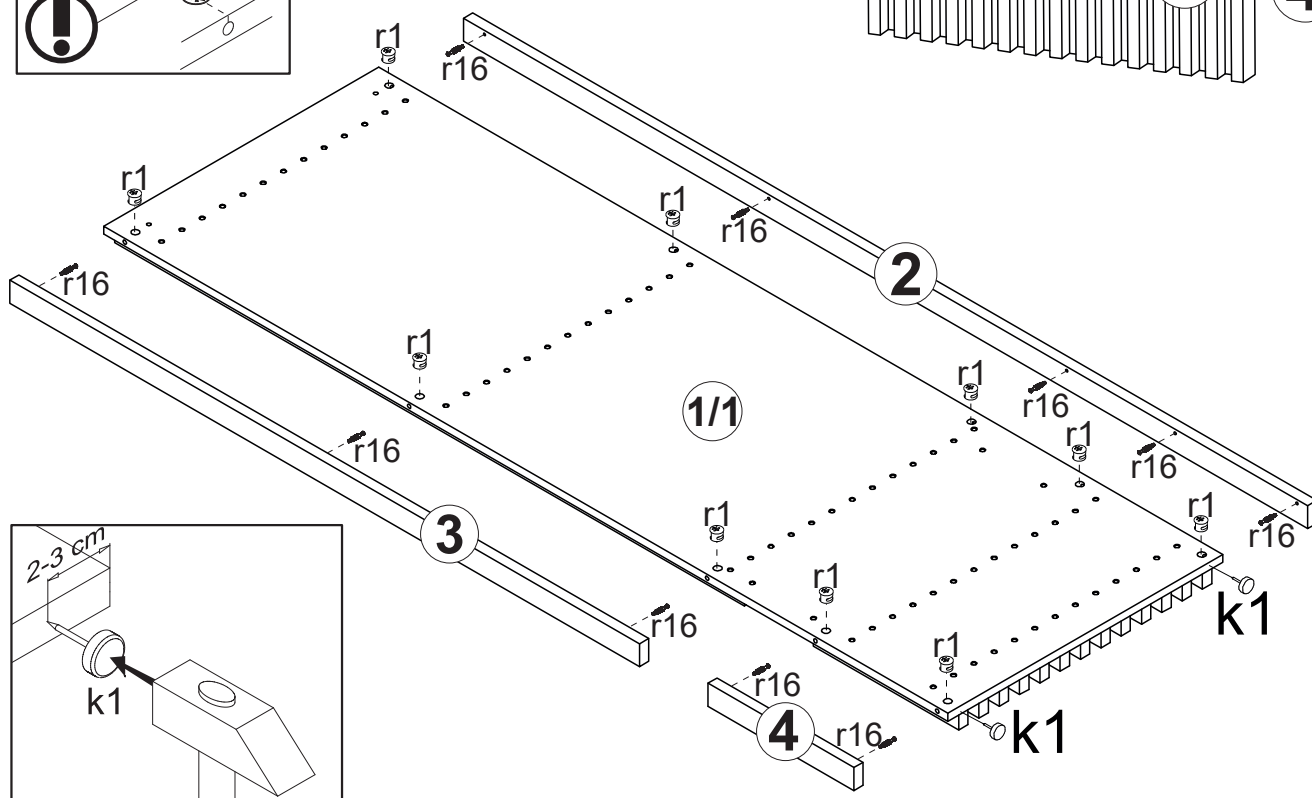
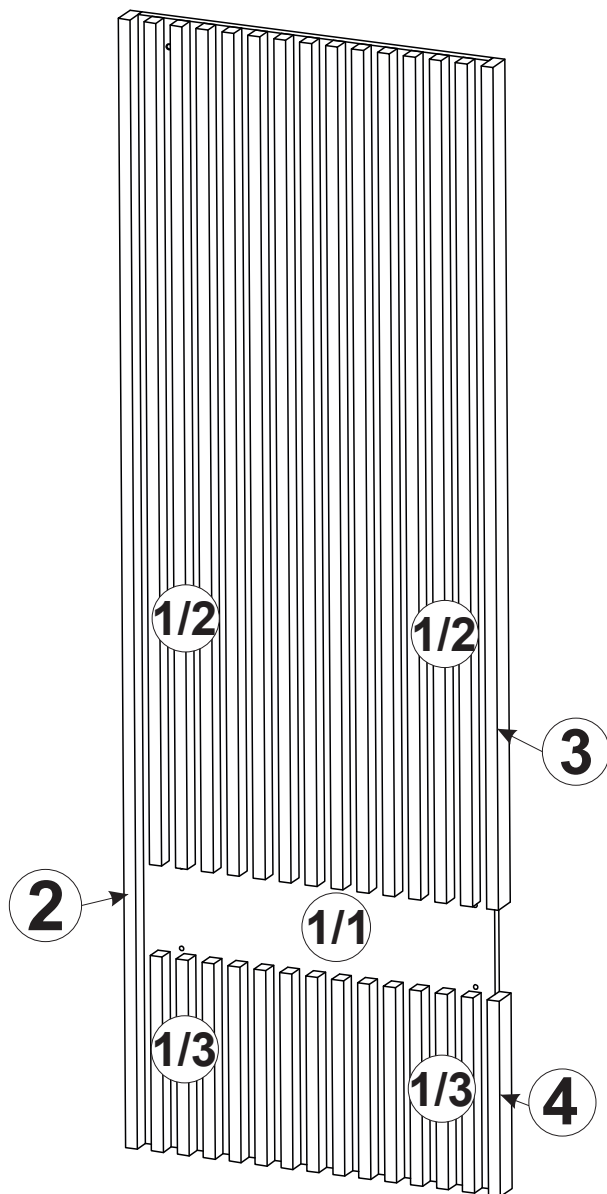
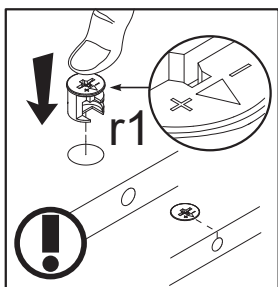
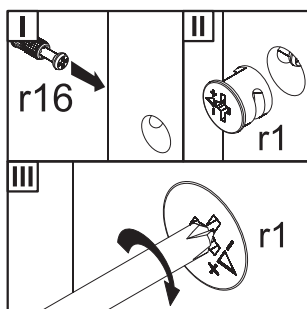
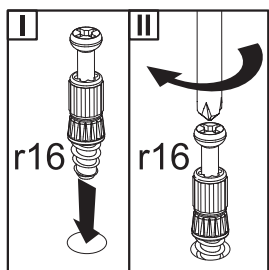


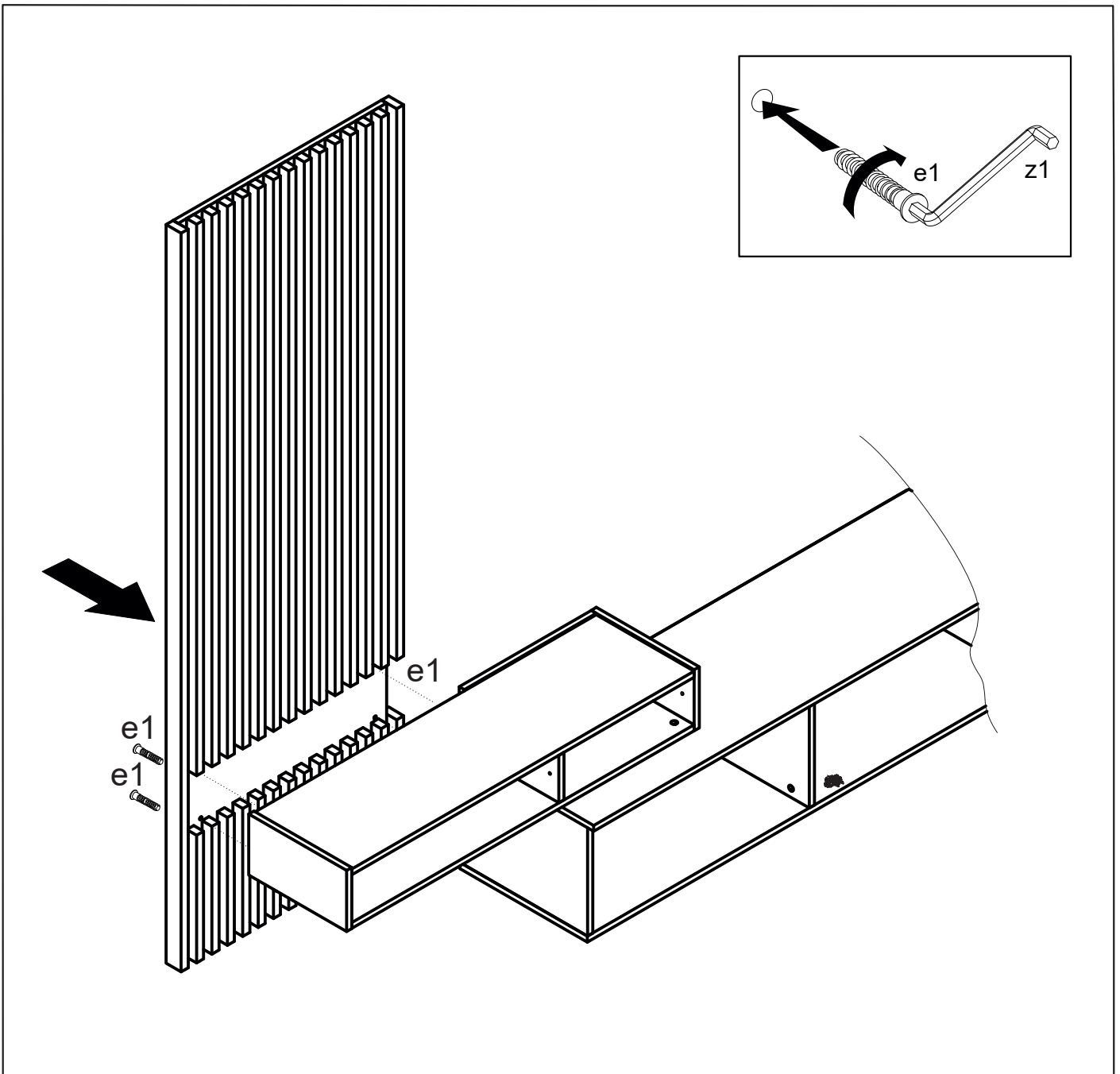
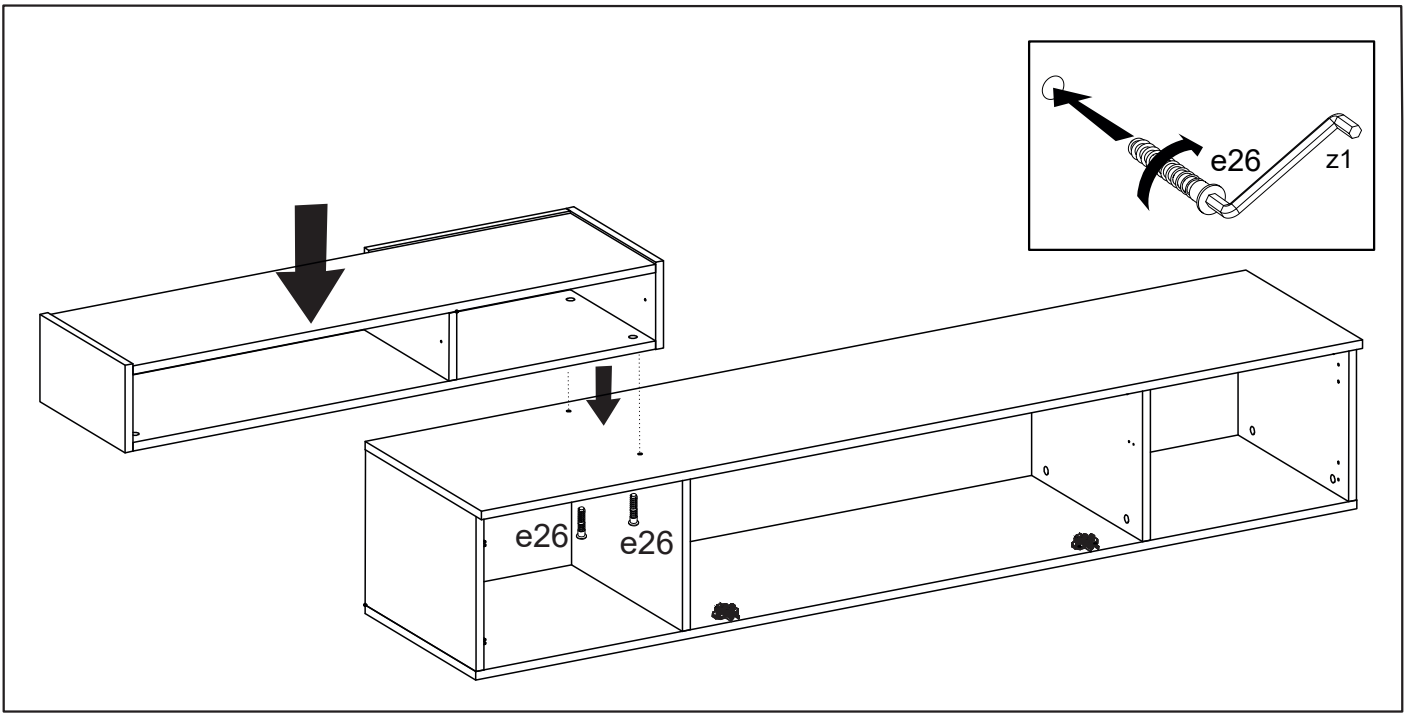


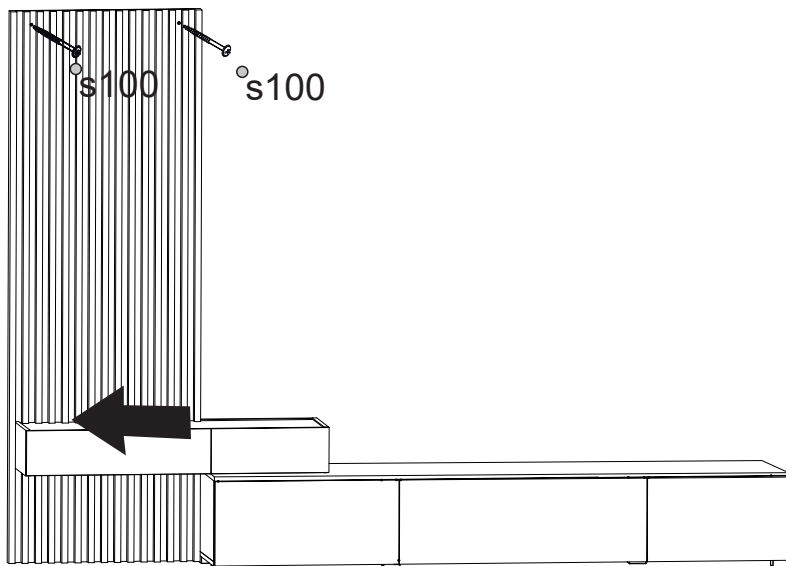
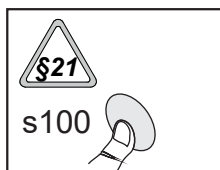
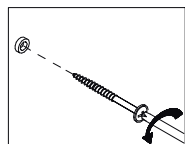
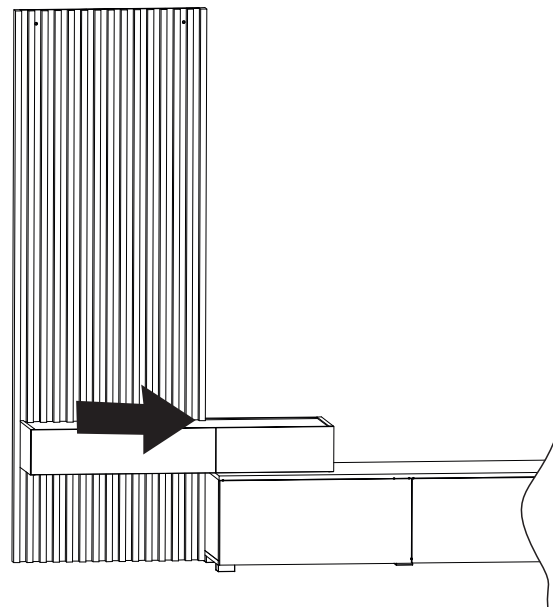
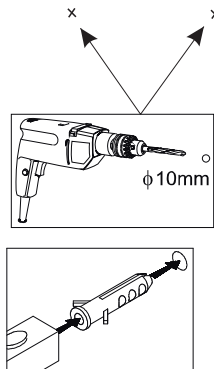
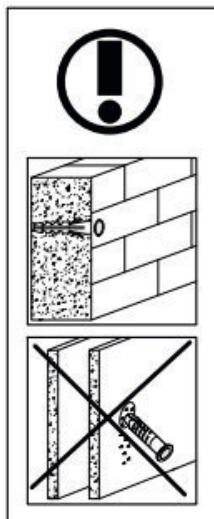
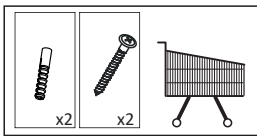
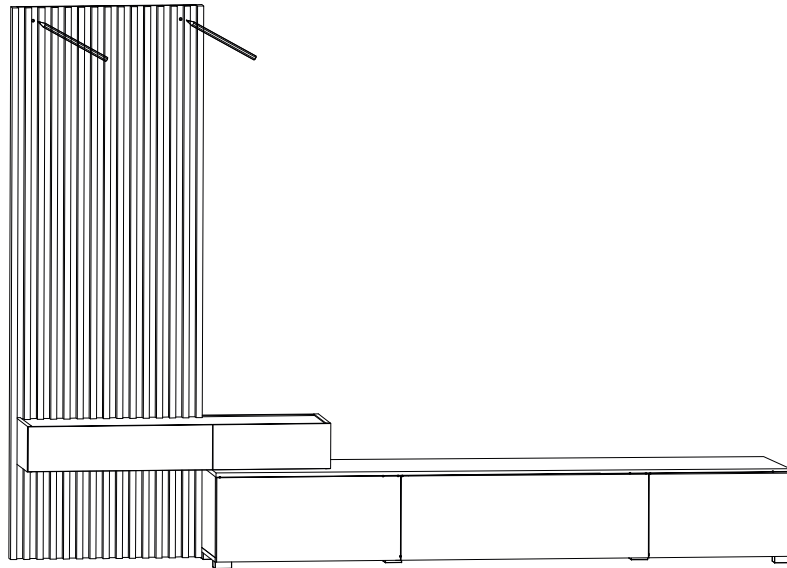
A	B	C		D
1	RB2- 501	1995	650	1/3



1/1	RB2- 403	1995	650	1/3
1/2	RB2- 405	1488	31	1/3
1/3	RB2- 406	345	31	1/3
2	RB2- 404	1995	47	1/3
3	RB2- 407	1488	47	1/3
4	RB2- 408	345	47	1/3

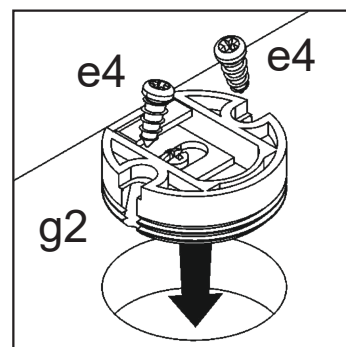
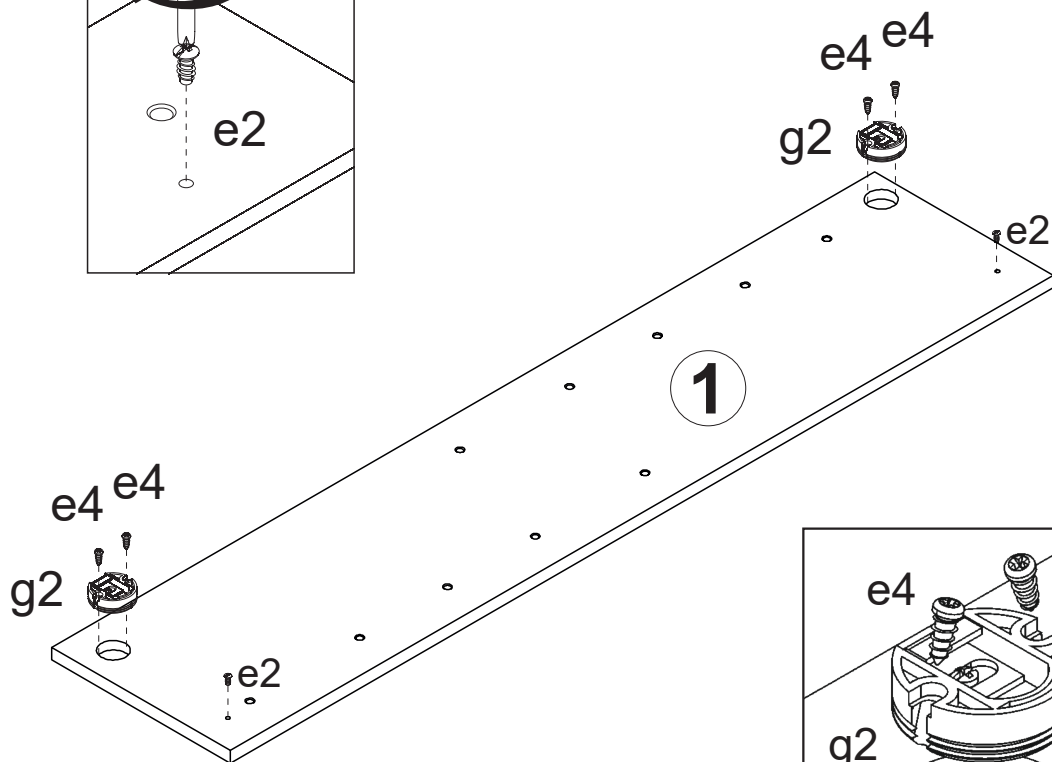
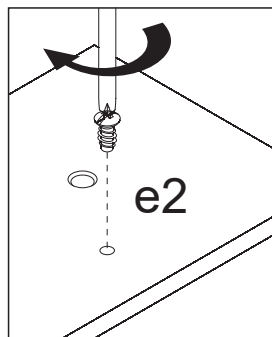
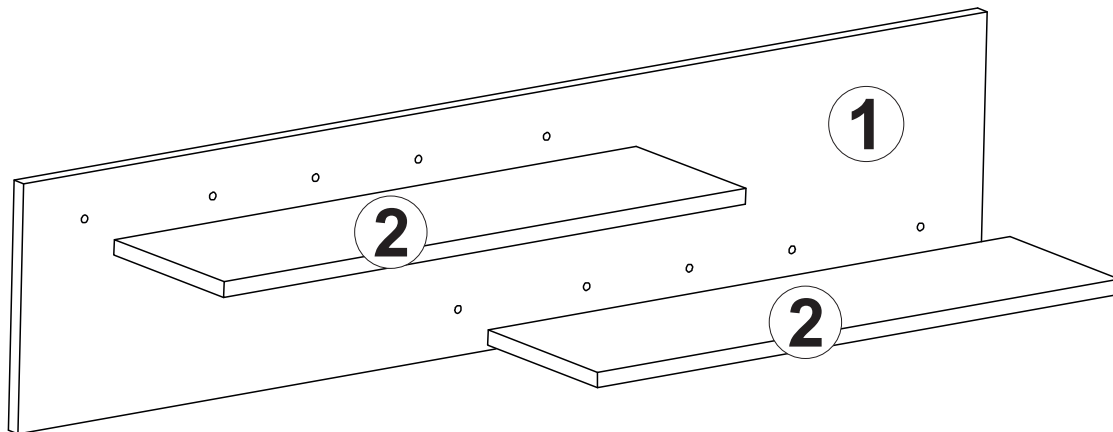




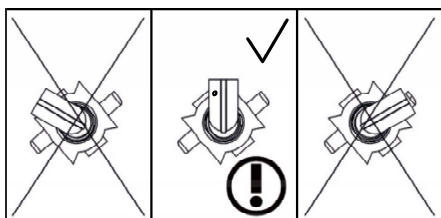
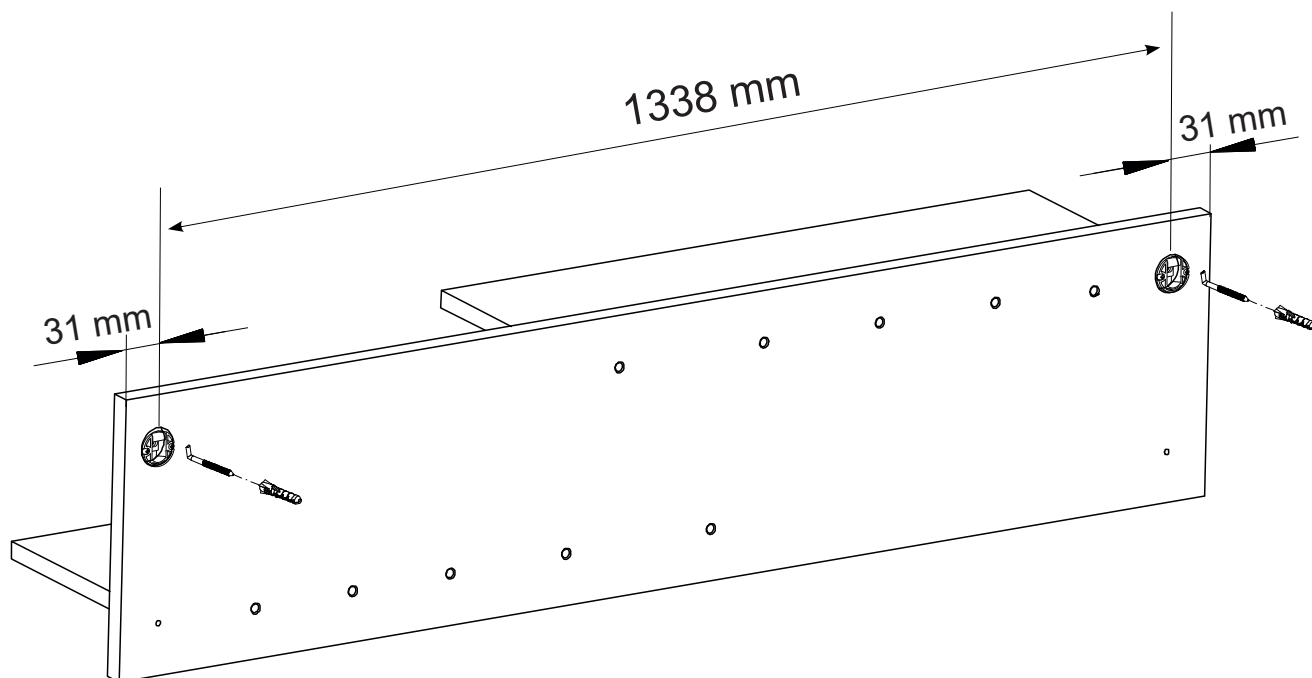
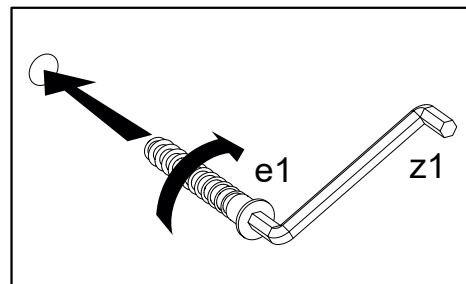
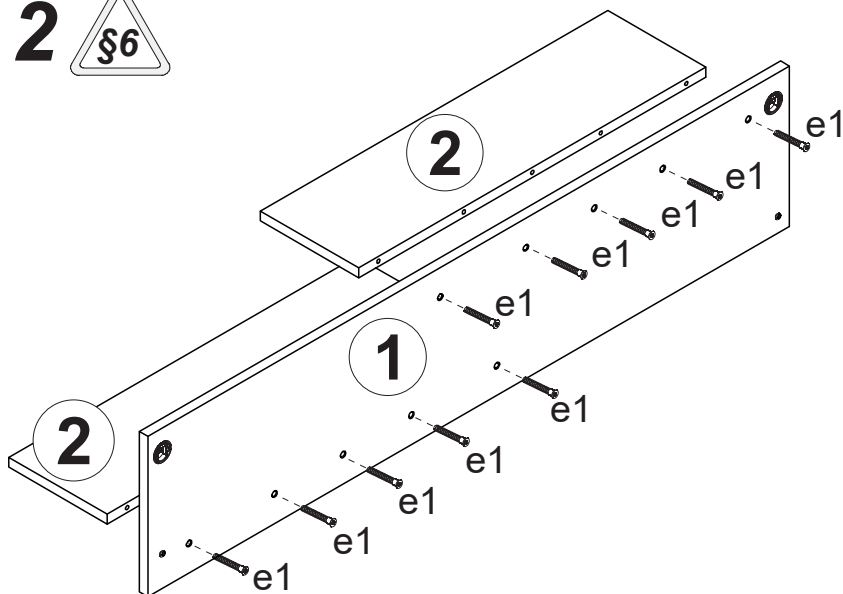


# IV

A	B	C		D
1	RB2 -410	1400	260	2/3
2	RB2 -304	750	184	3/3



2 §6



§10

