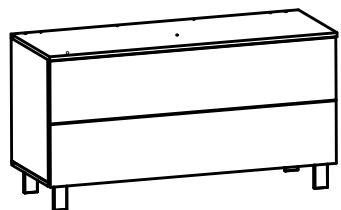
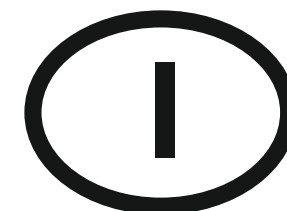
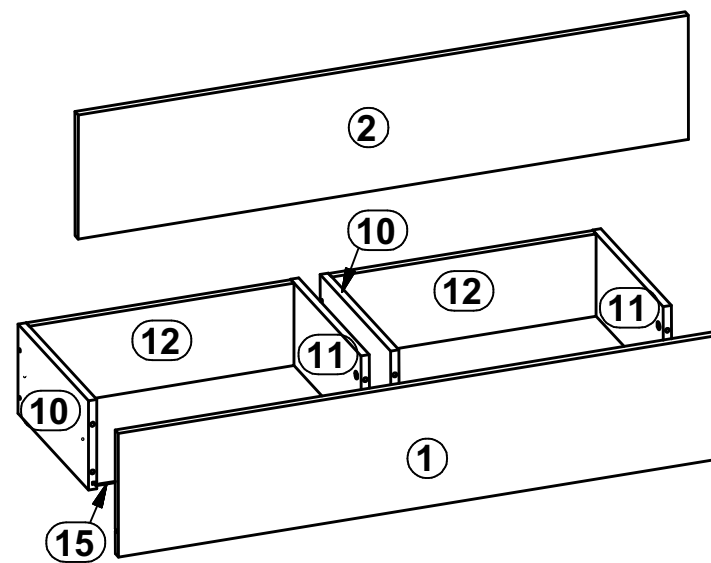
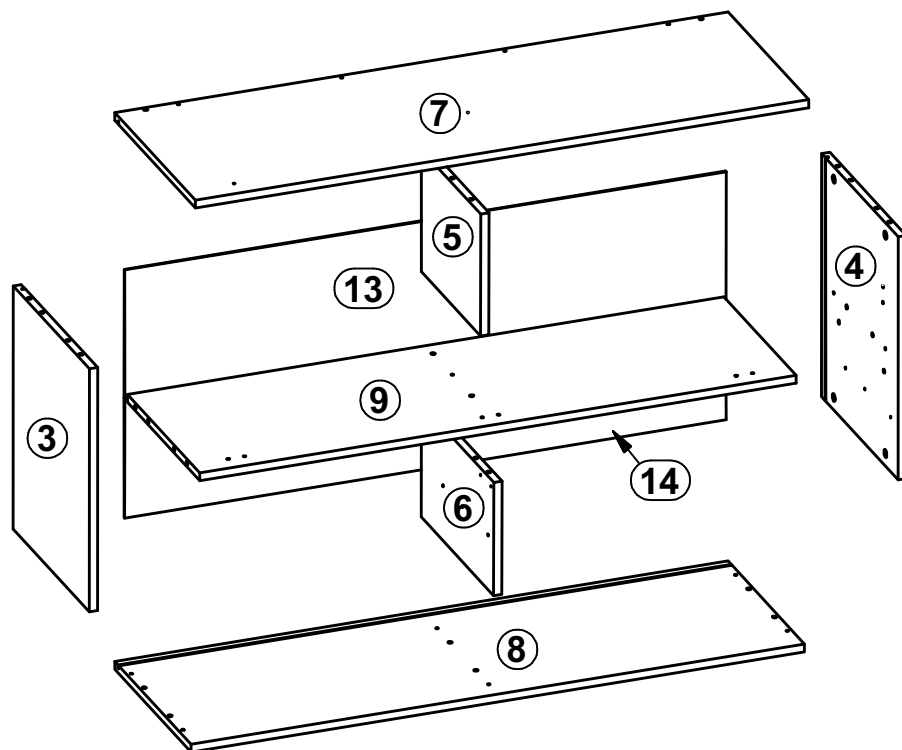


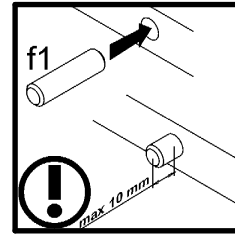
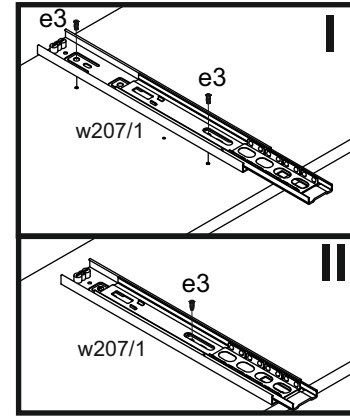
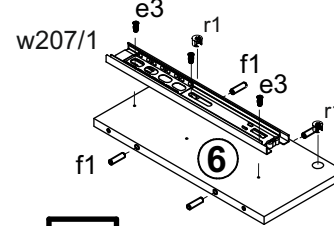
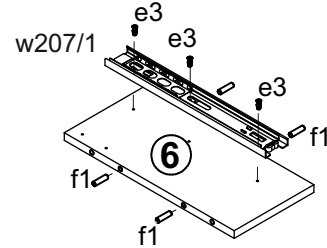
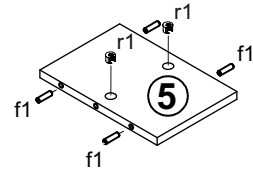
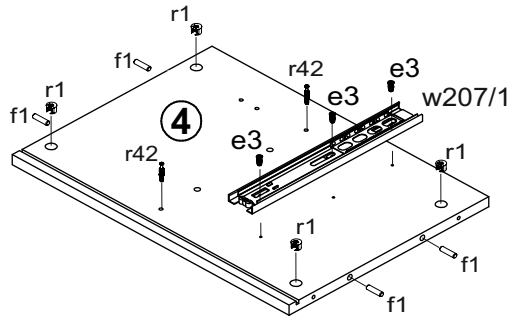
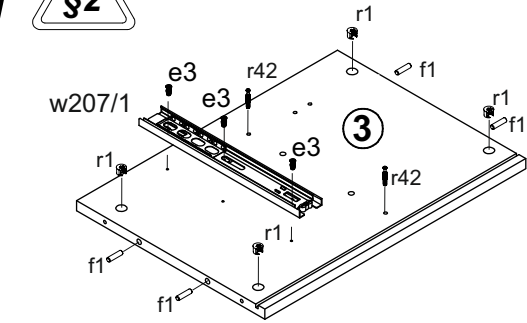
1x 1x		cm 0 1 2 3 4 5 6 7 8 9 10										10x a44		3x a68		13x b33											
qb20/1		16x d1		4x d3		3x d100 ¹		6x d100 ²		8x e1		3x e2		12x e3		4x e5		4x e4		76x f1		8x f25		6x o54		6x e41	
2x g2		10x l1		56x l2		2x m3		5x n108		2x n165L		2x n165P		8x k36 ²		1x k38 ³		1x k38 ⁴		2x p17		8x p21		6x p8			
13x p38		5x p55		26x p51		4x p75		74x r1		74x r42		30x s2		32x e31		4x w207/1		4x w207/2		12x p140		3x p44		1x z1			
4x j91		4x j101		6x p20		4x k1		6x e27		18x p54		6x z100/1 ¹		6x z100/1 ²		6x z100/1 ³		6x z100/1 ⁴		6x z100/1 ⁴							



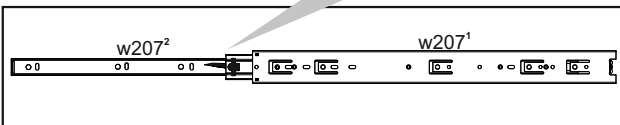
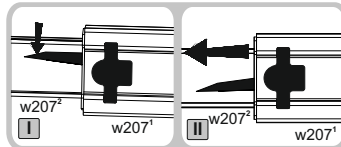
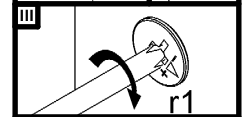
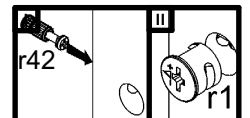
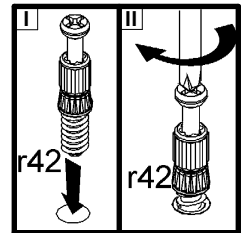
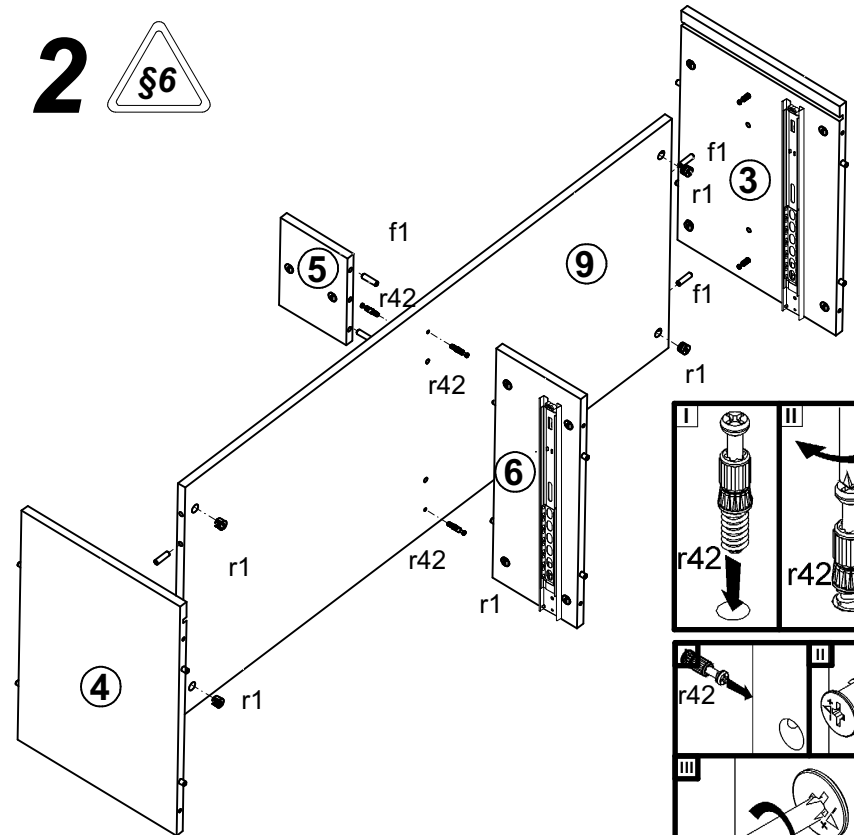
A	B	C (mm)		D
1	N72-002	1195	250	4/6
2	N72-003	1195	250	4/6
3	N72-107	490	379	4/6
4	N72-108	490	379	4/6
5	N72-109	246	294	3/6
6	N72-110	228	359	3/6
7	N72-203	1201	379	4/6
8	N72-204	1201	379	4/6
9	N72-305	1168	359	4/6
10	N72-503	350	180	3/6
11	N72-504	350	180	3/6
12	N72-505	518	180	3/6
13	N72-903	259	1178	4/6
14	N72-904	241	1178	4/6
15	N72-905	528	350	4/6



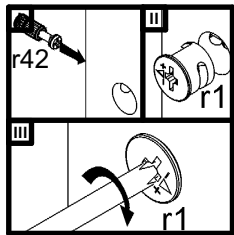
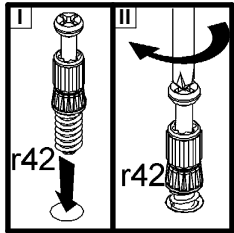
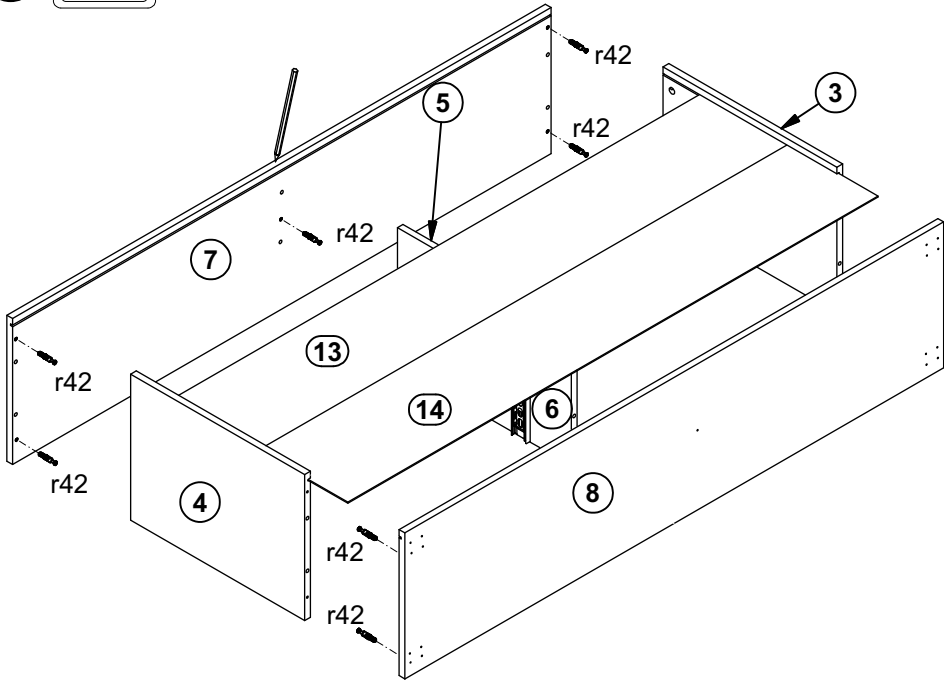
1



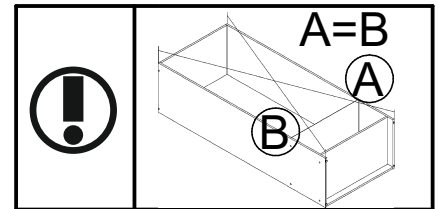
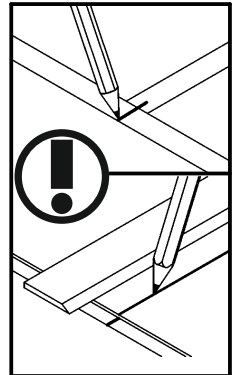
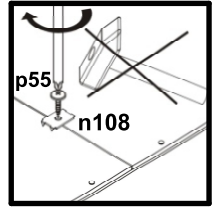
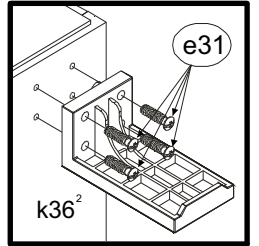
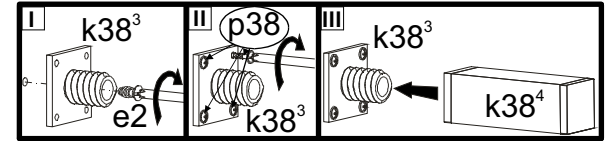
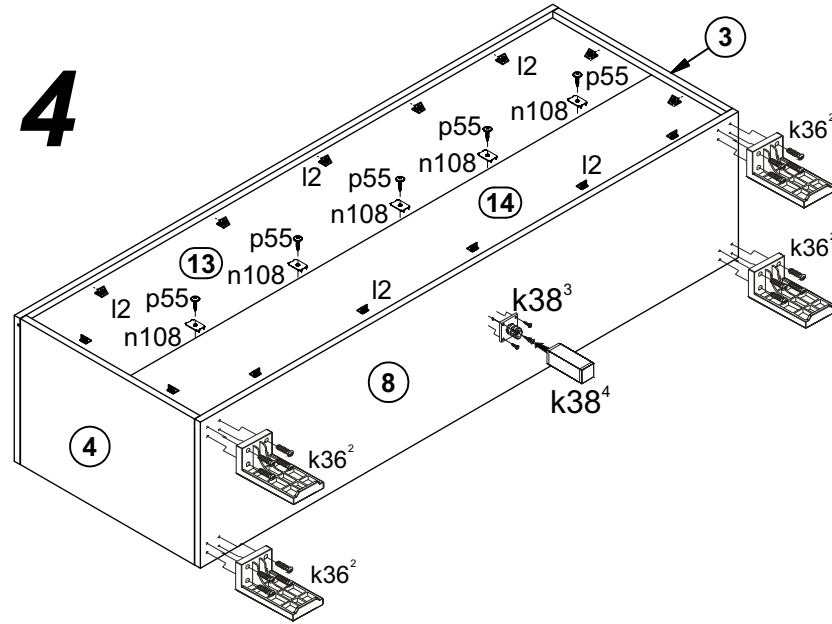
2



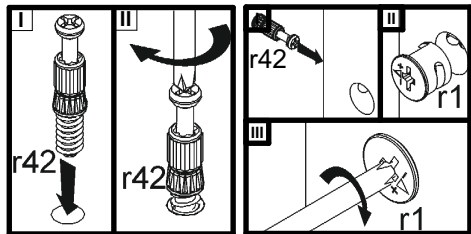
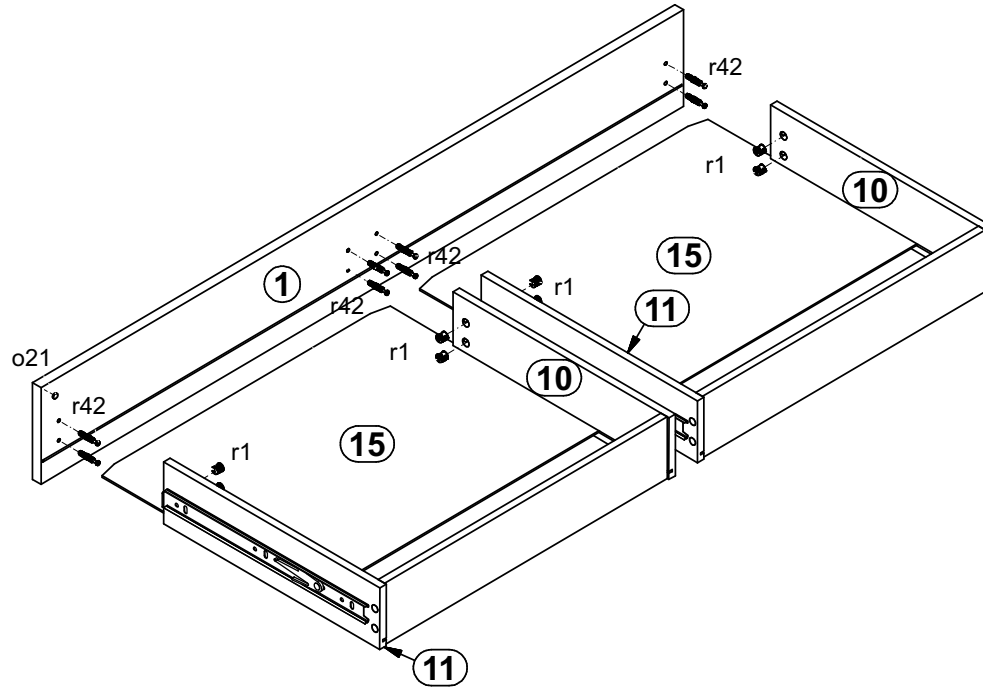
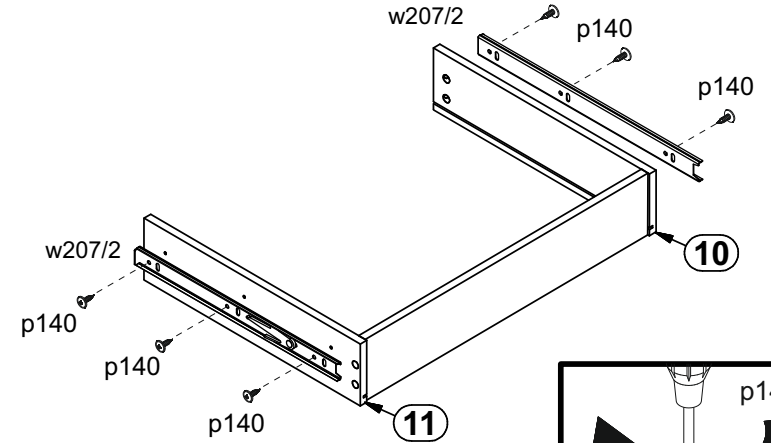
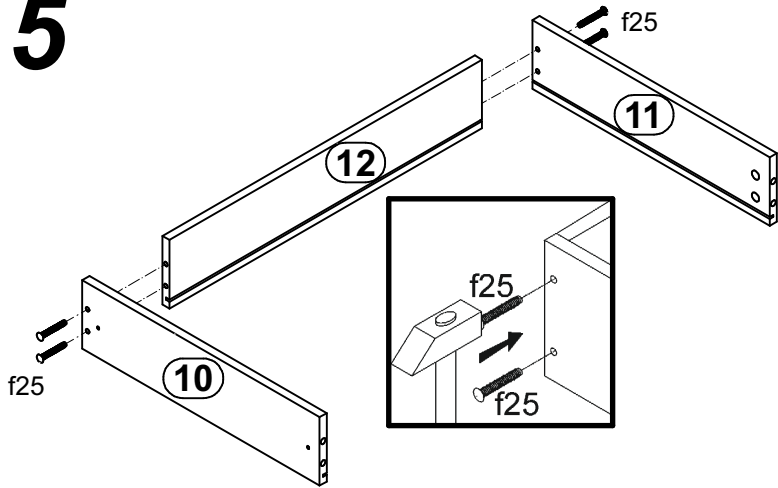
3



4

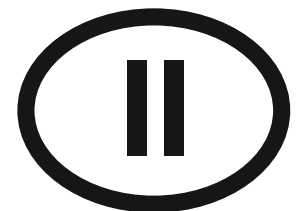
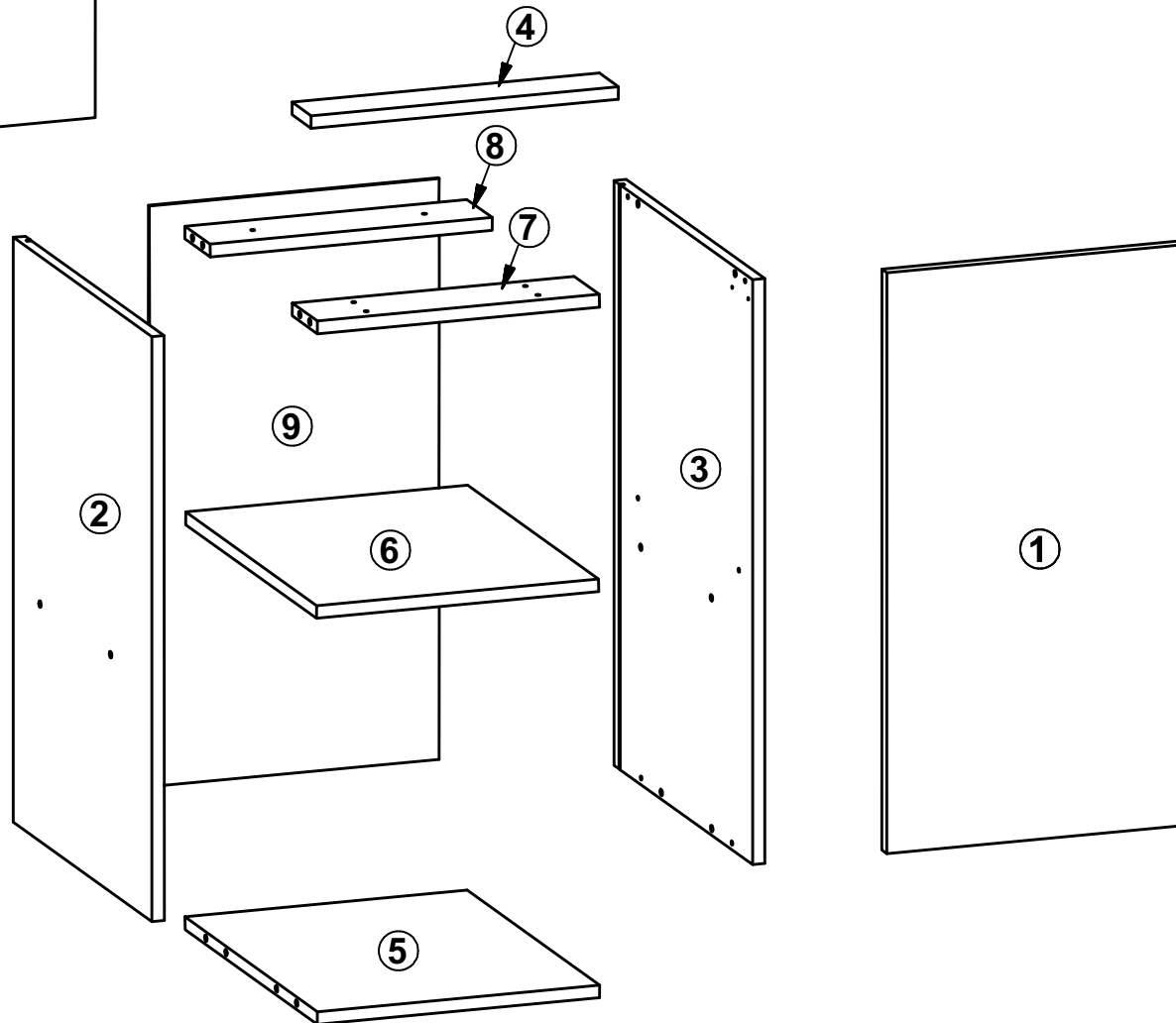
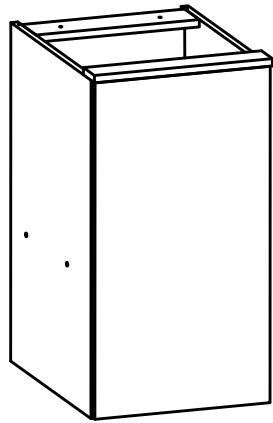


5

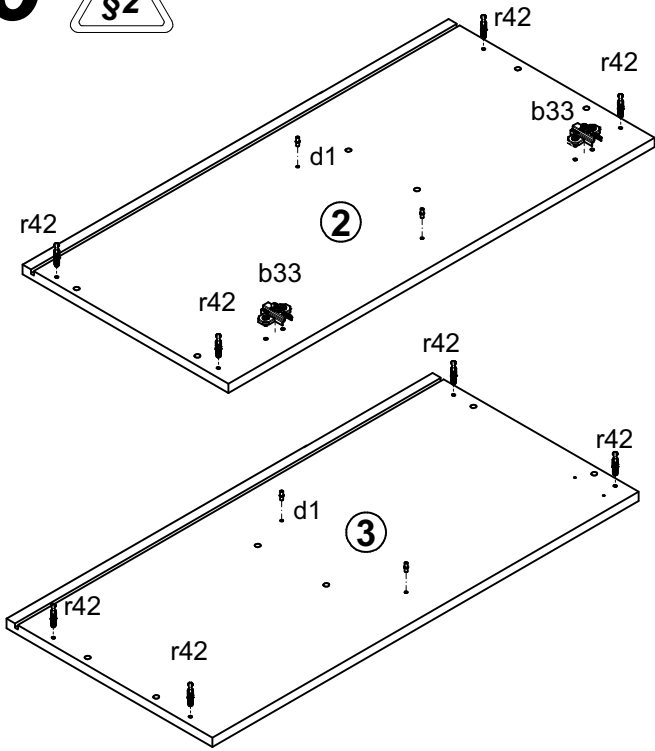




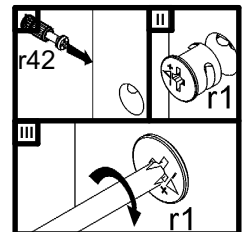
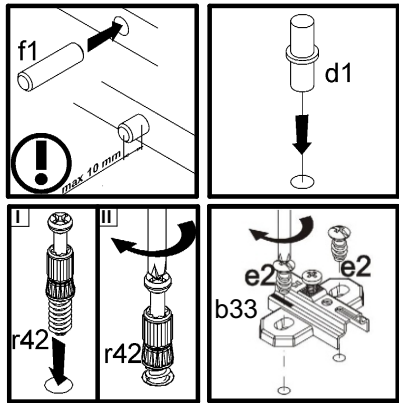
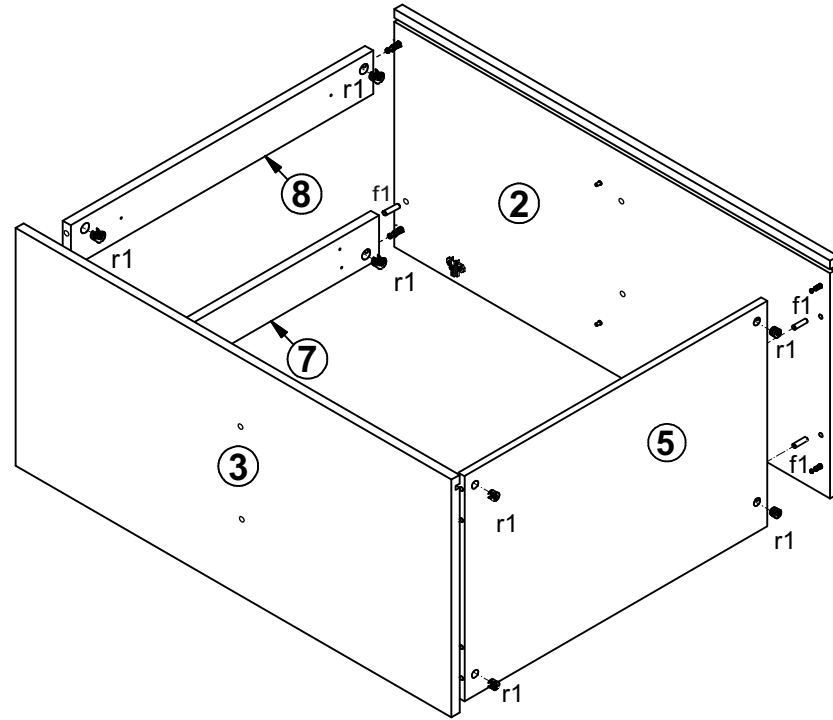
A	B	C (mm)		D
1	N72-004	395	732	5/6
2	N72-111	737	440	5/6
3	N72-112	737	440	5/6
4	N72-205	401	60	3/6
5	N72-306	368	420	5/6
6	N72-307	368	415	5/6
7	N72-401	368	80	5/6
8	N72-402	368	80	5/6
9	N72-906	378	732	5/6



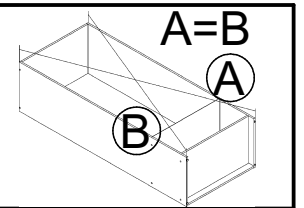
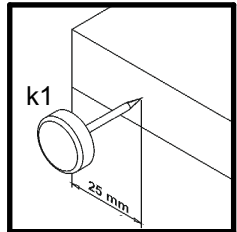
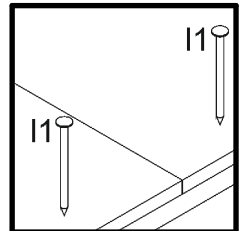
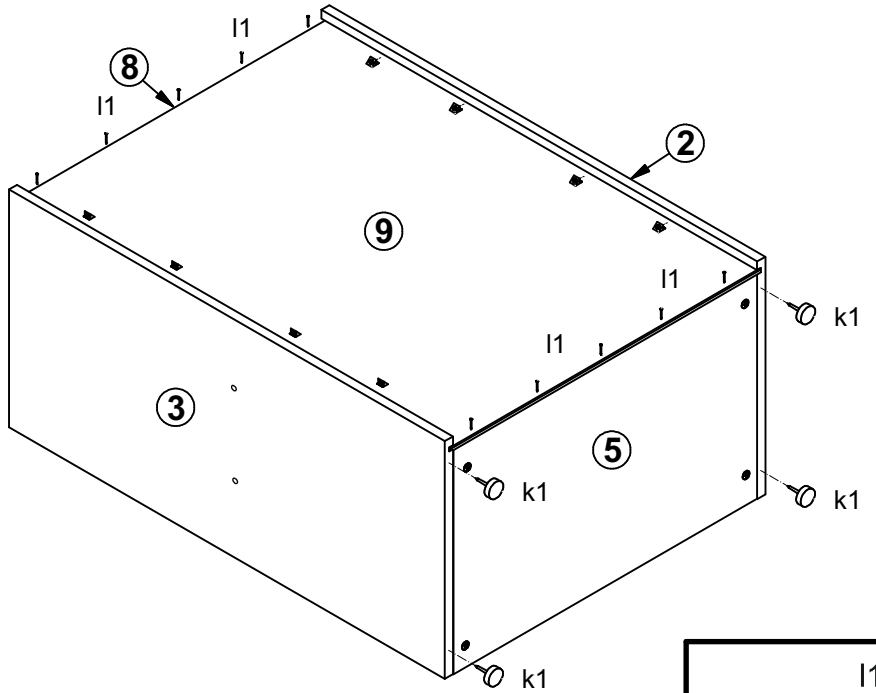
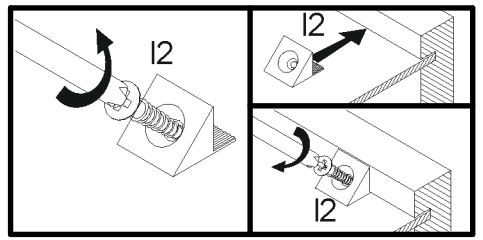
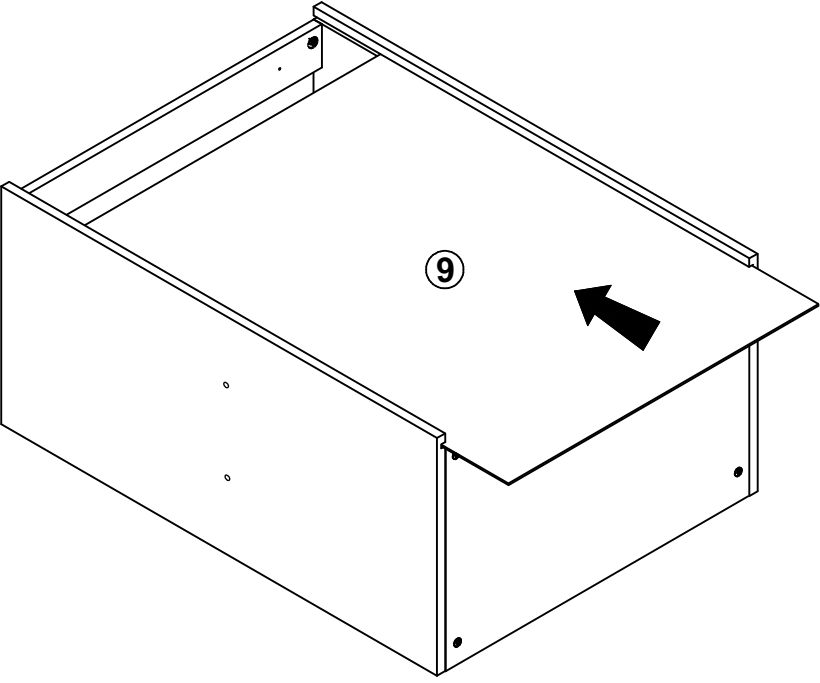
6



7

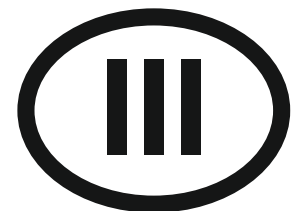
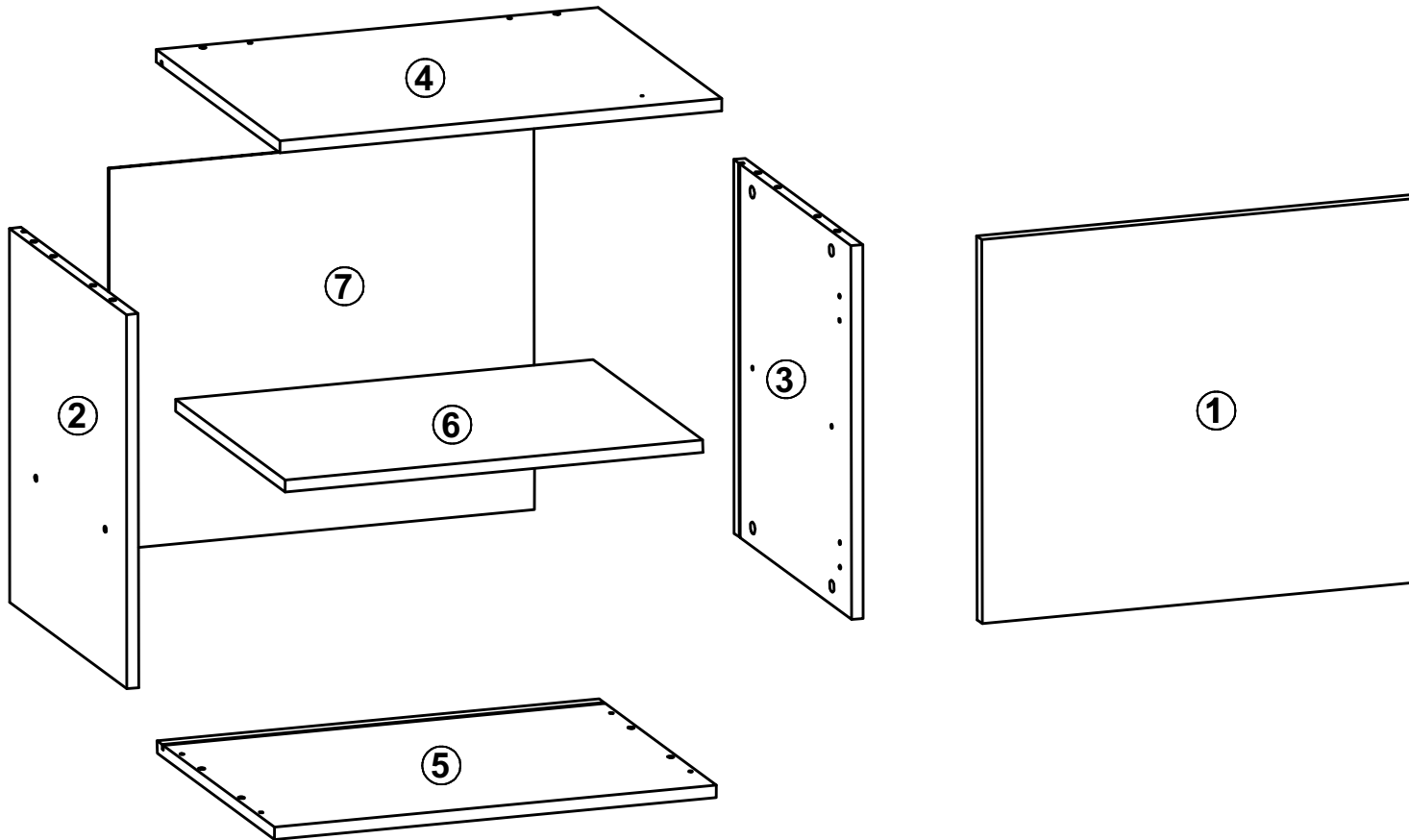
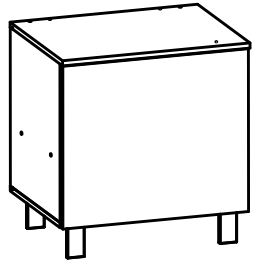


8

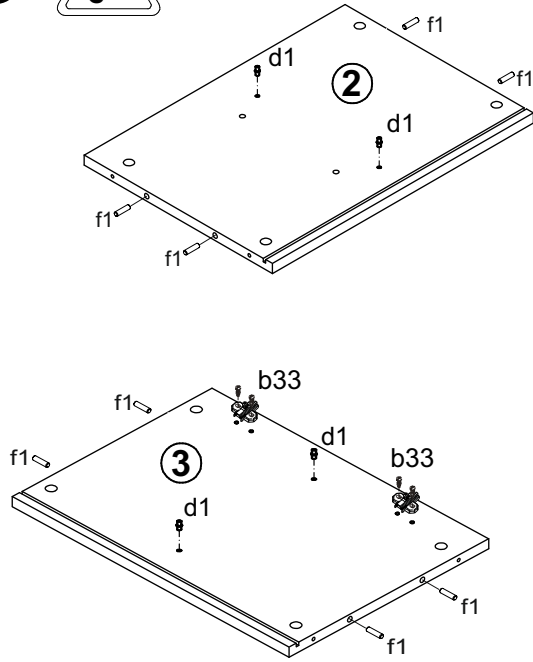




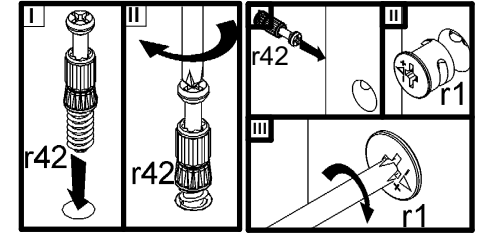
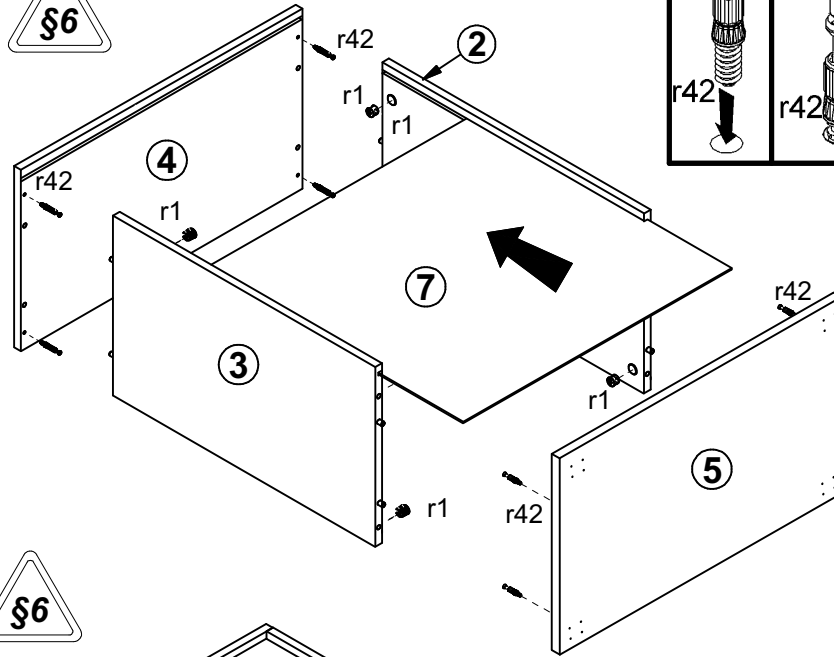
A	B	C (mm)		D
1	N72-005	593	503	6/6
2	N72-113	490	379	6/6
3	N72-114	490	379	6/6
4	N72-206	599	400	6/6
5	N72-207	599	379	6/6
6	N72-308	566	354	6/6
7	N72-907	576	500	6/6



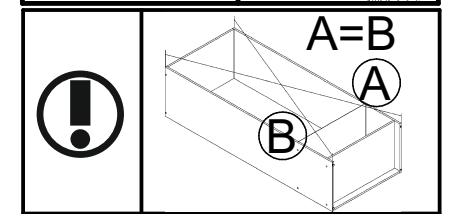
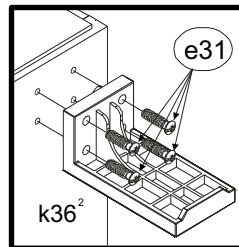
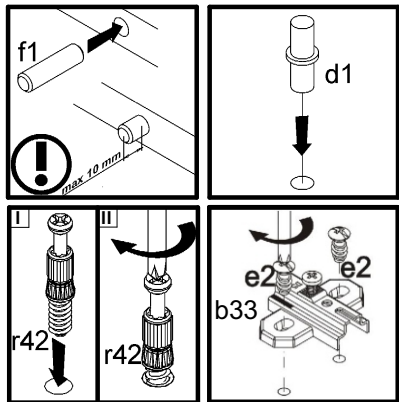
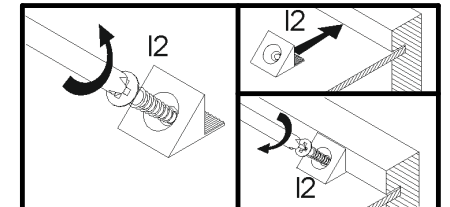
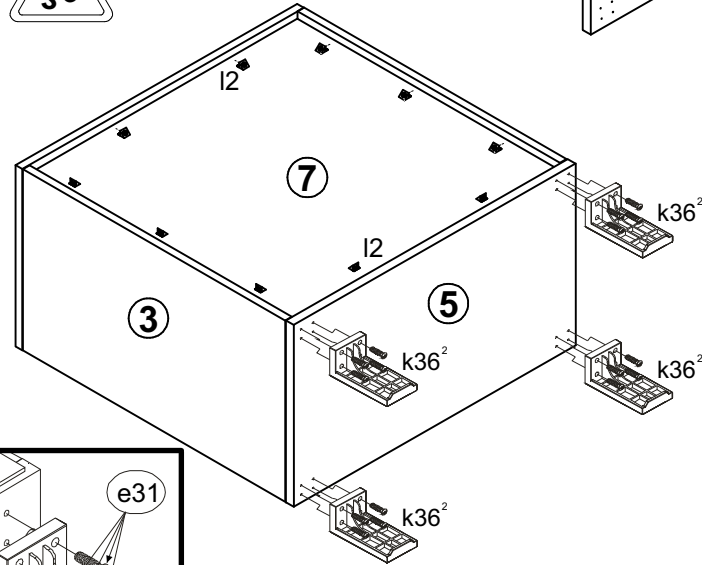
9



10

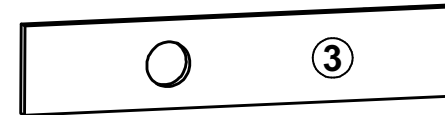
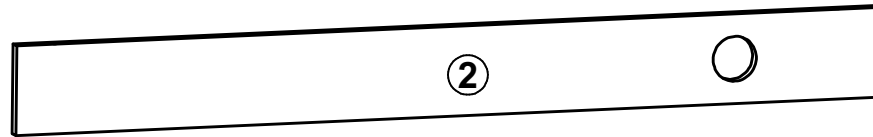
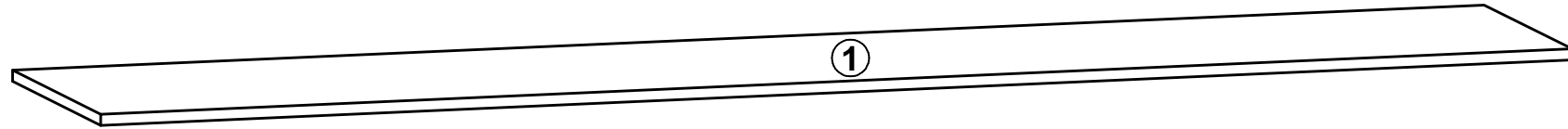


11

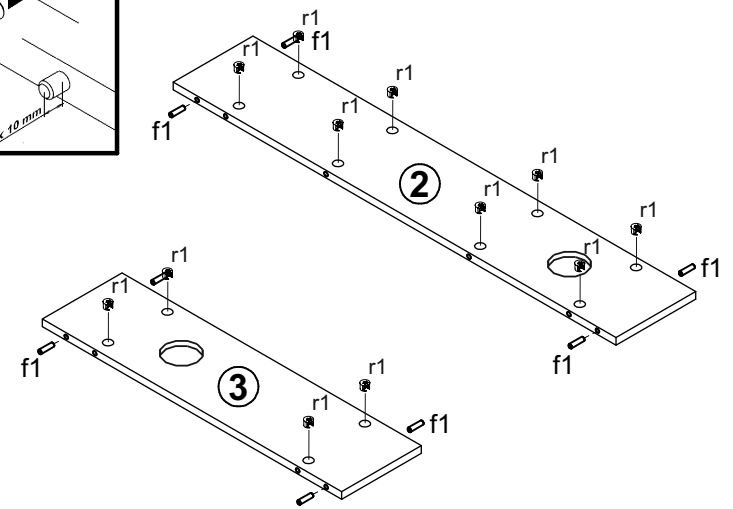
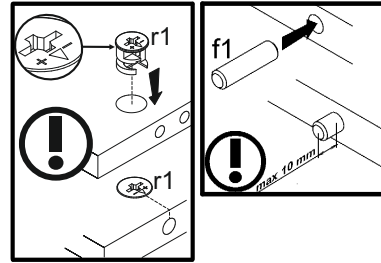
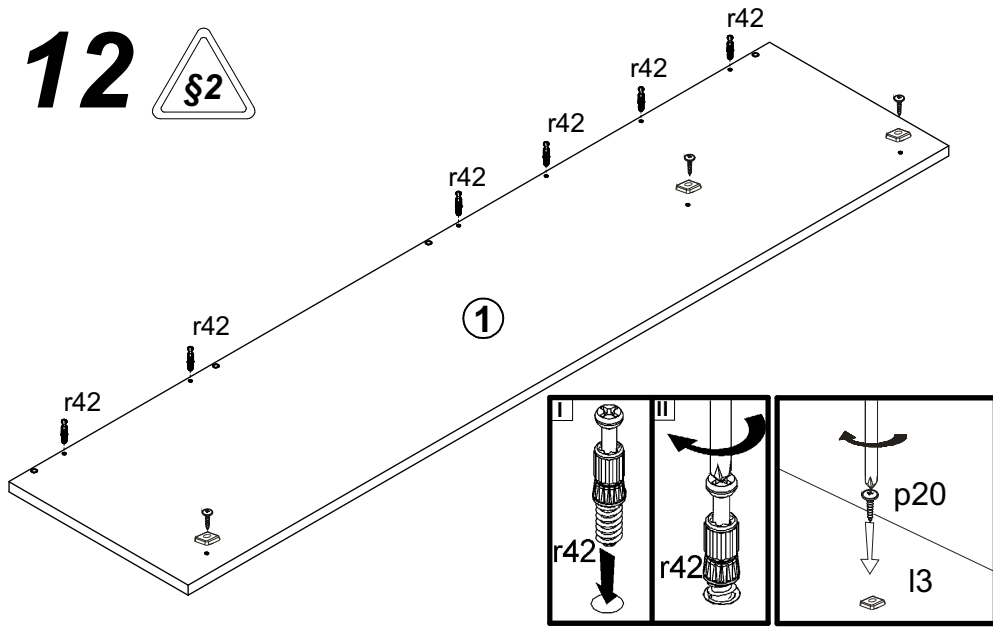




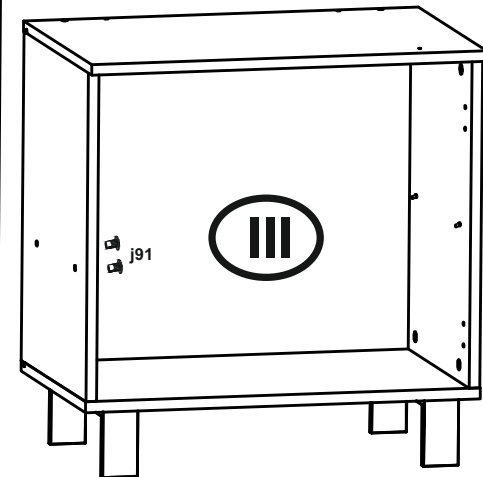
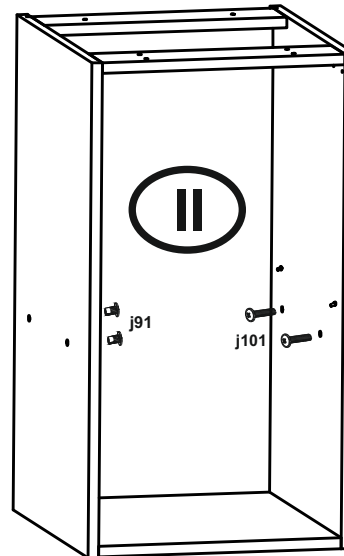
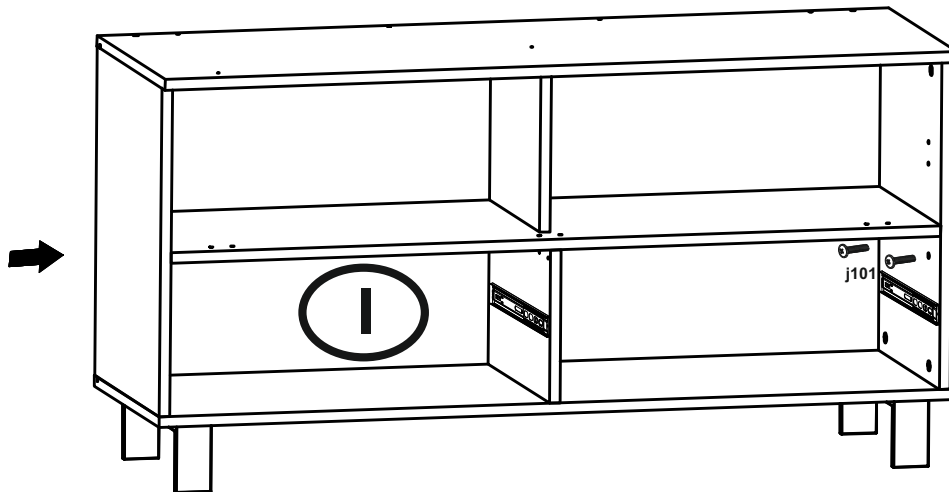
A	B	C (mm)		D
1	N72-208	2200	400	3/6
2	N72-403	1200	120	3/6
3	N72-404	598	120	3/6



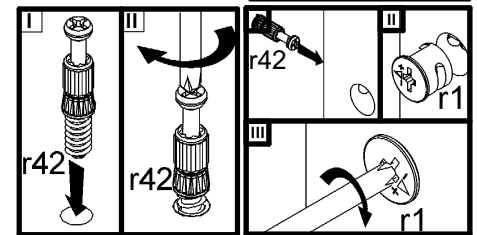
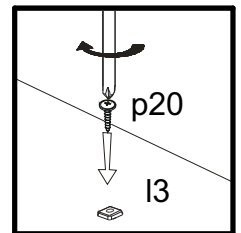
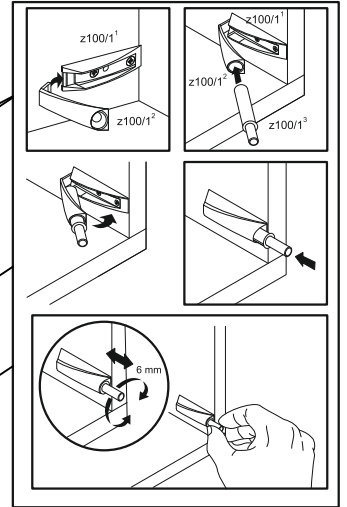
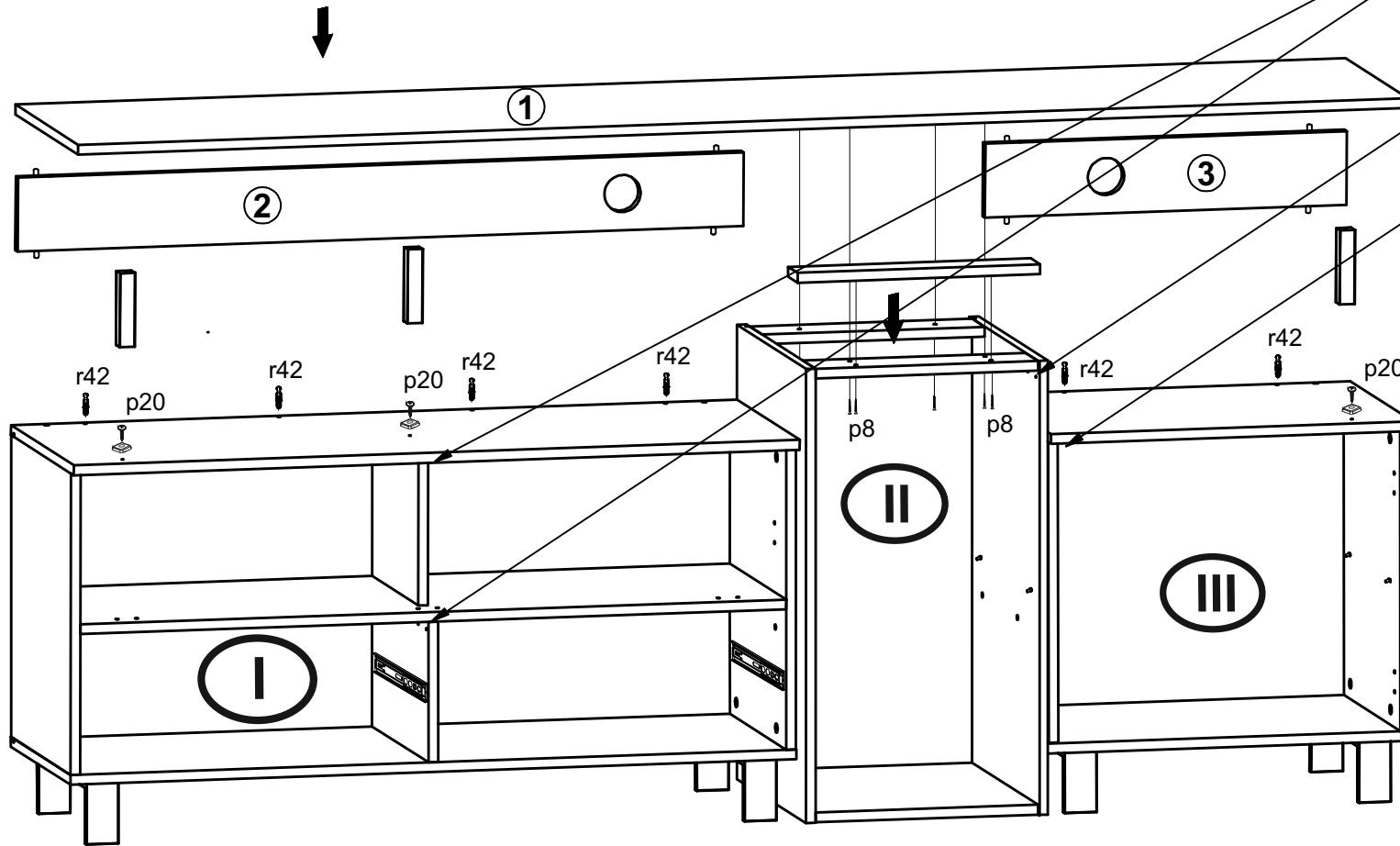
12



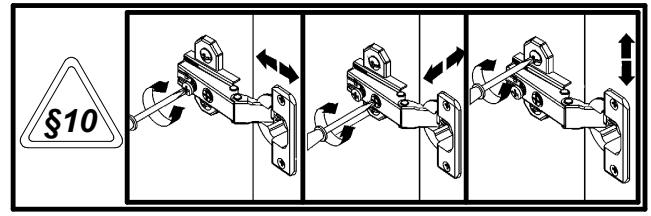
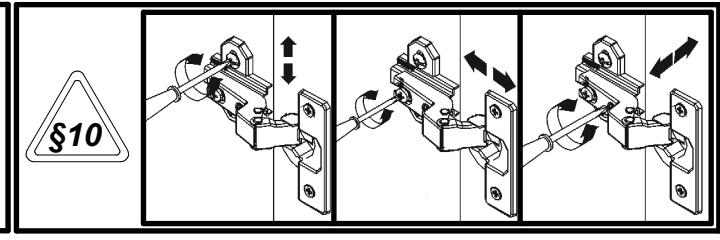
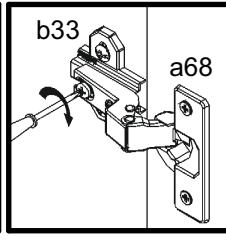
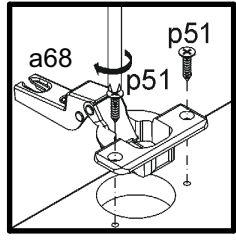
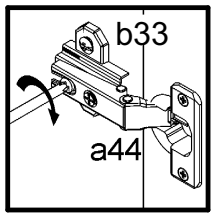
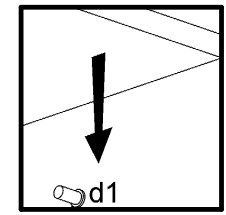
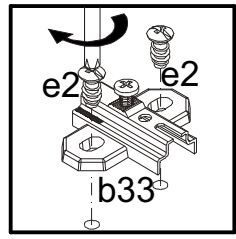
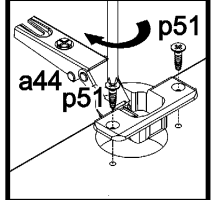
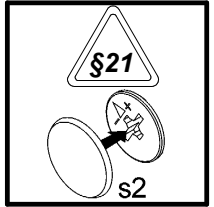
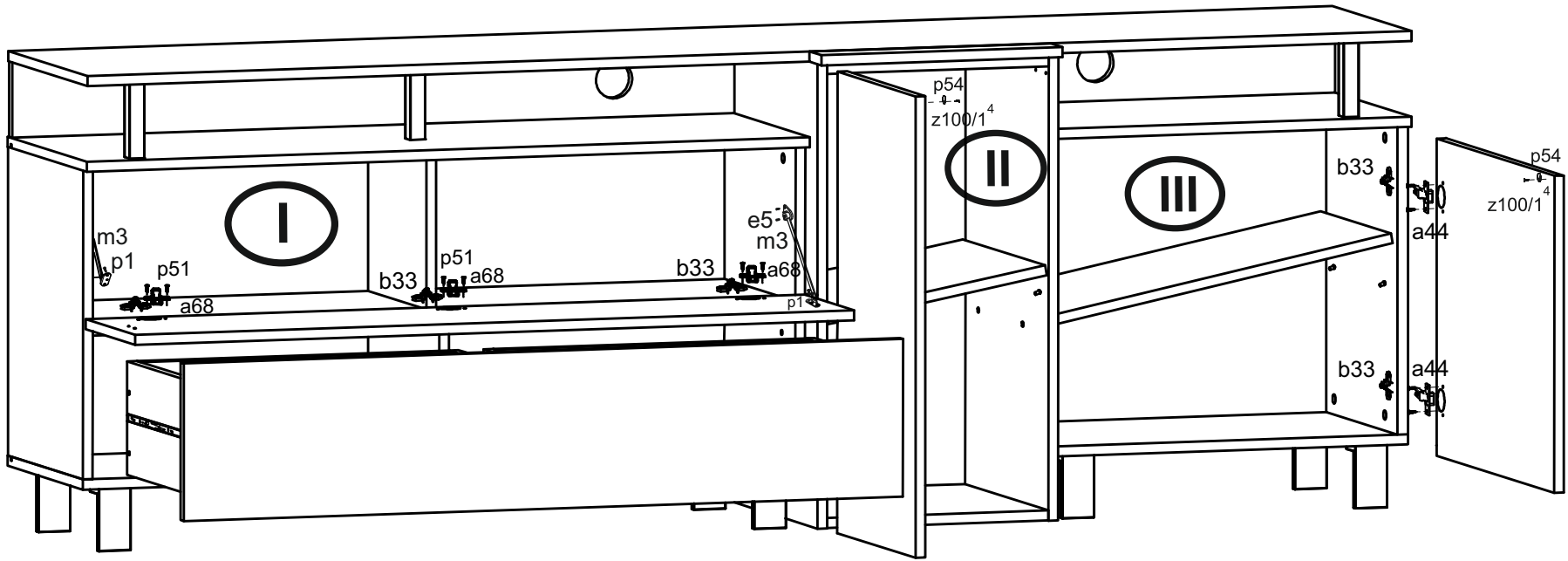
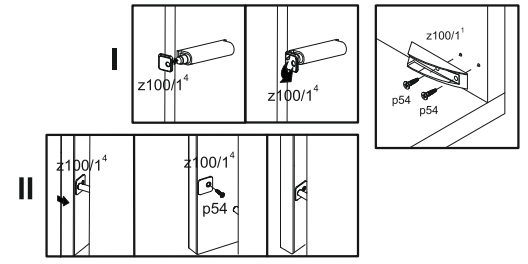
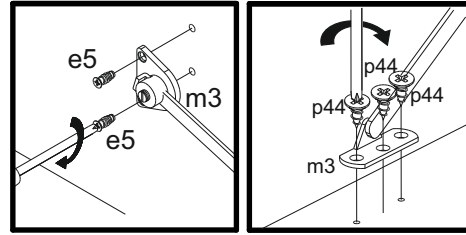
13



14

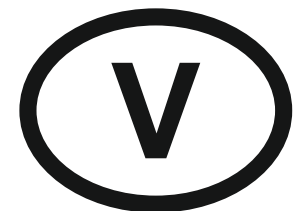
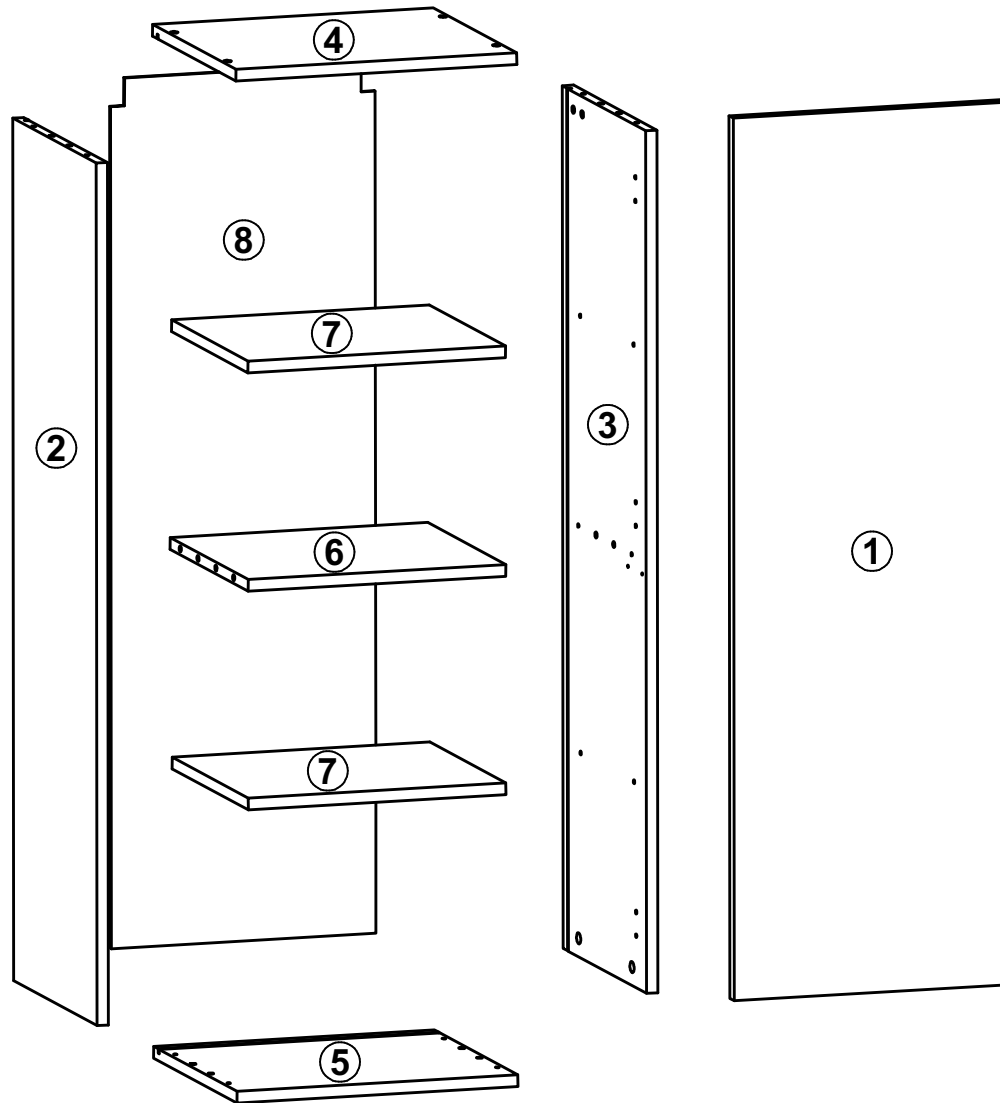
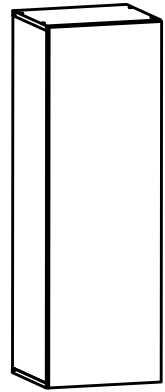


15

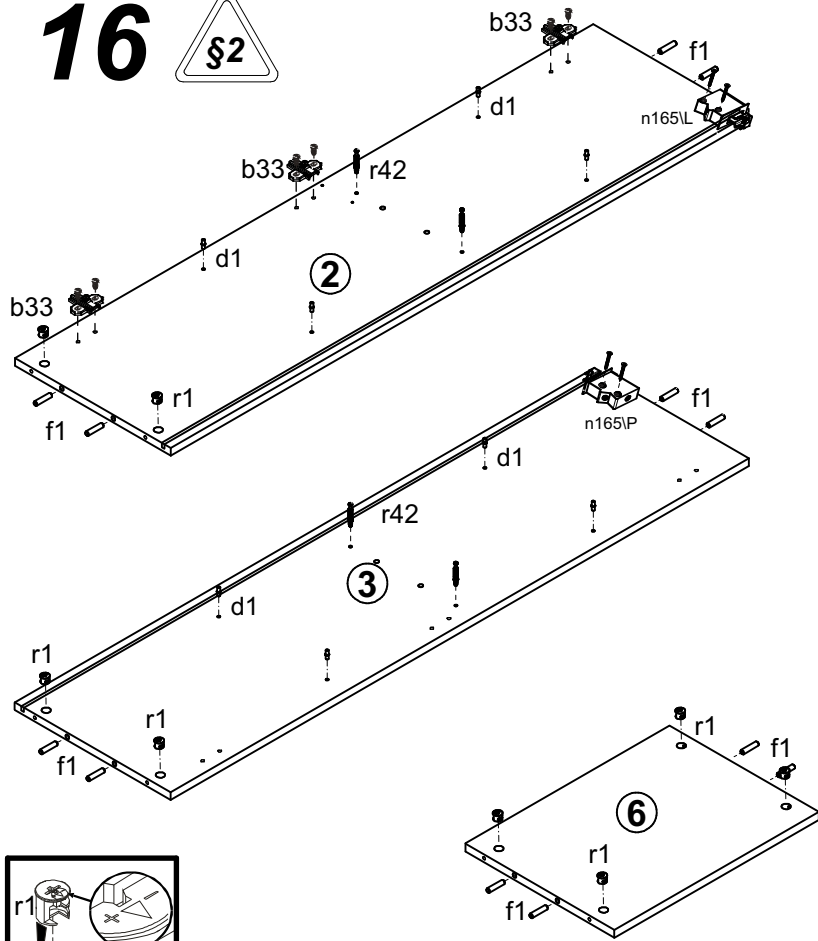




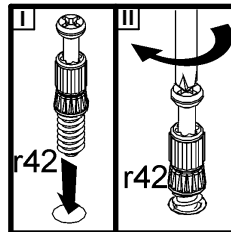
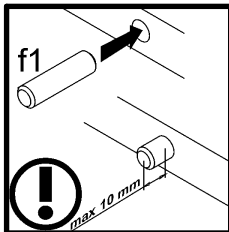
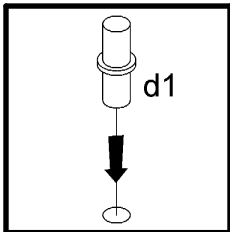
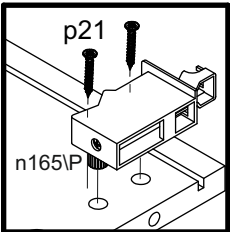
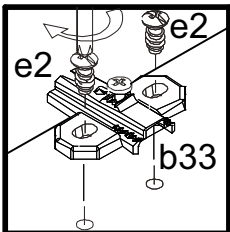
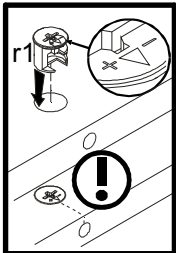
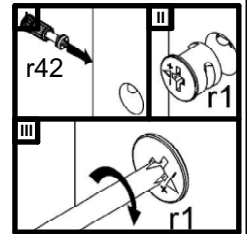
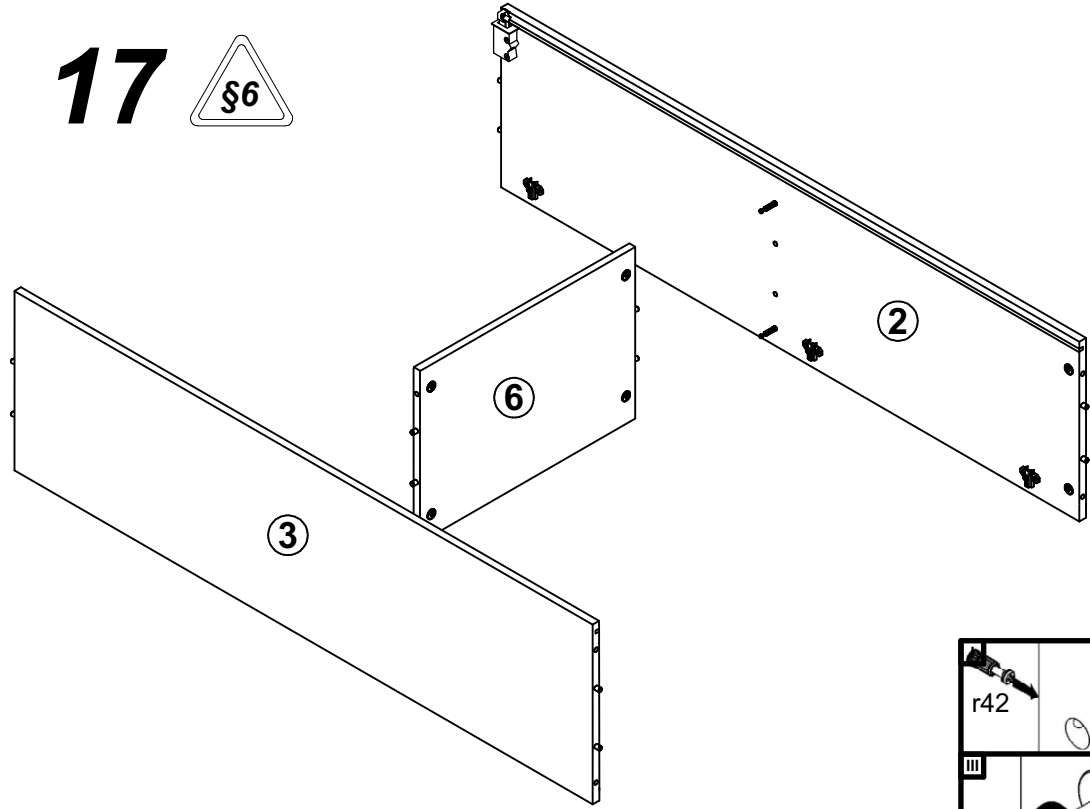
A	B	C (mm)		D
1	N72-001	1195	395	1/6
2	N72-101	1168	300	1/6
3	N72-102	1168	300	1/6
4	N72-201	400	300	1/6
5	N72-202	400	300	1/6
6	N72-301	367	280	1/6
7	N72-302	367	274	1/6
8	N72-901	1178	377	1/6



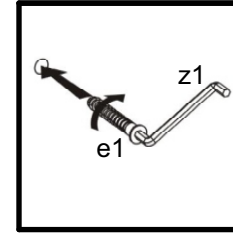
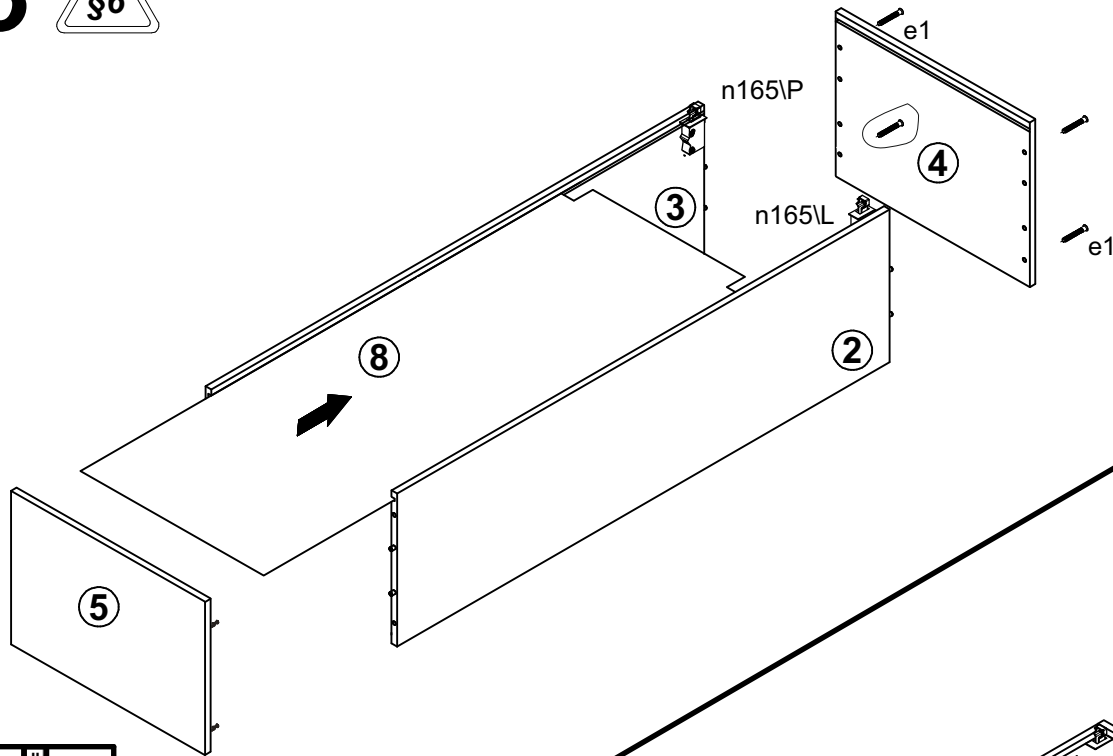
16



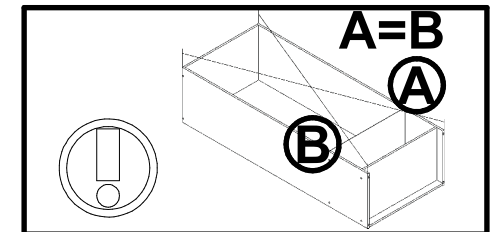
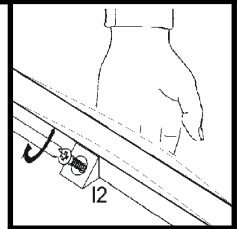
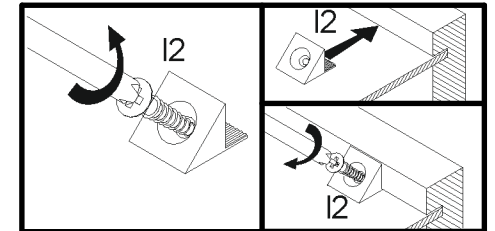
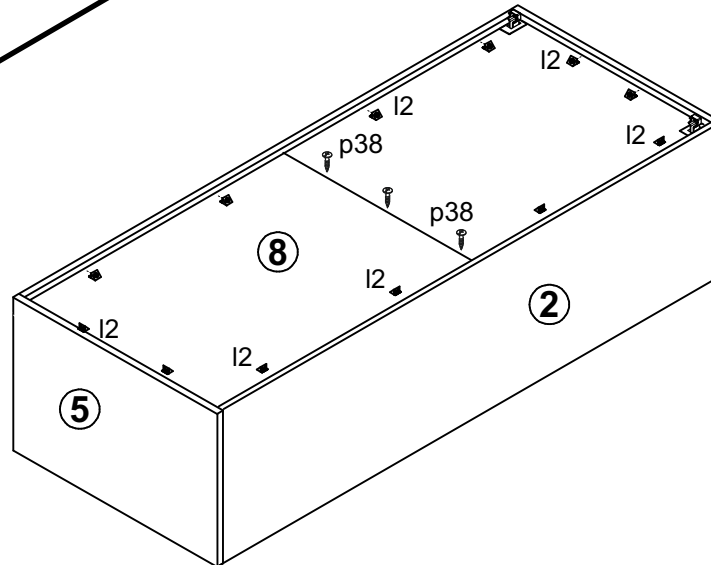
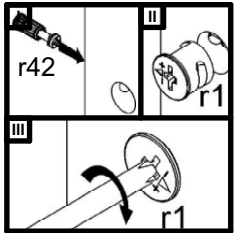
17



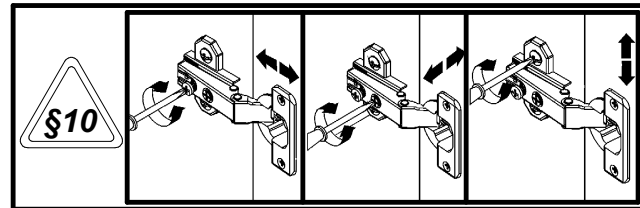
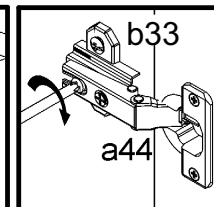
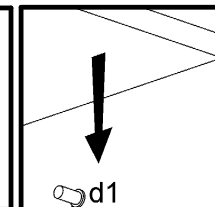
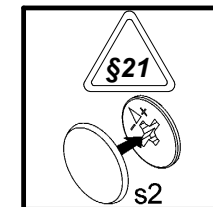
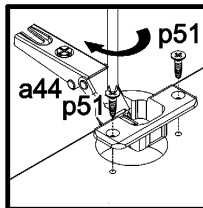
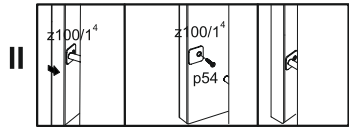
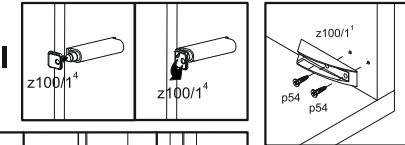
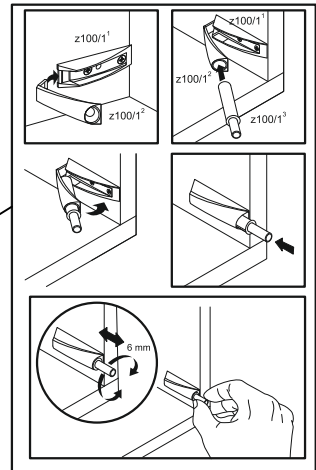
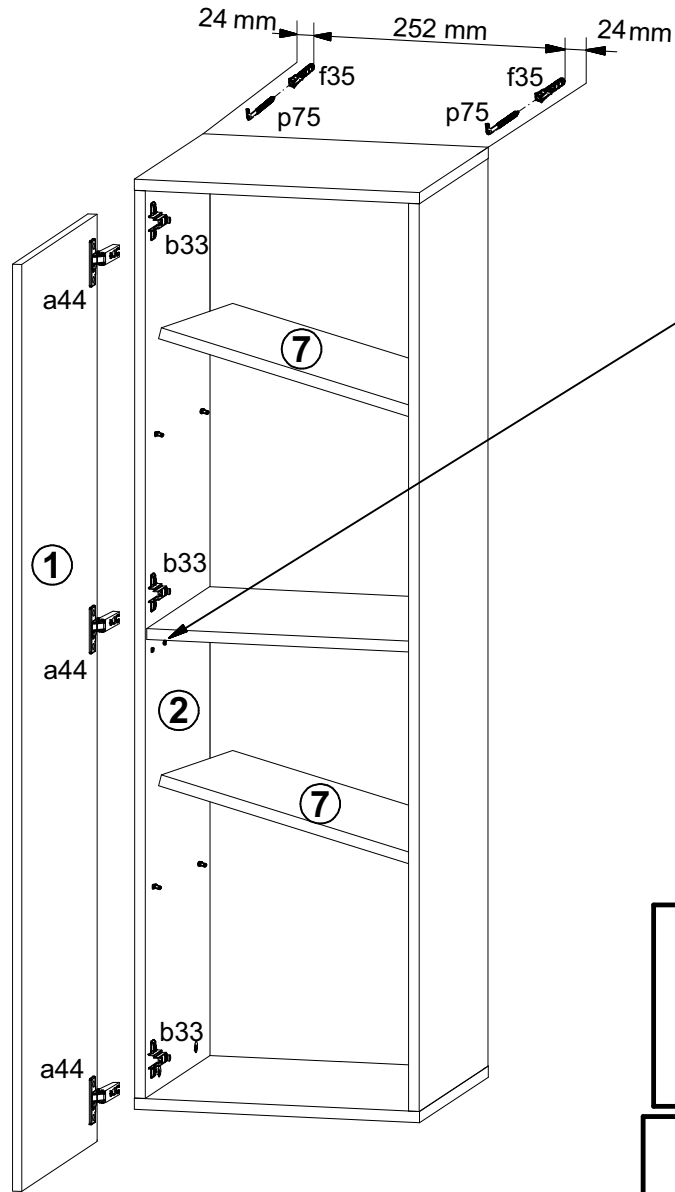
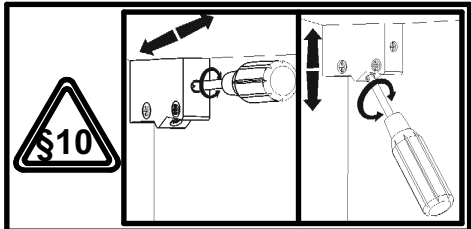
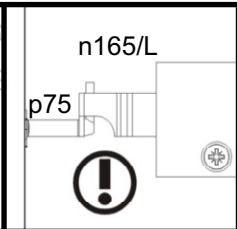
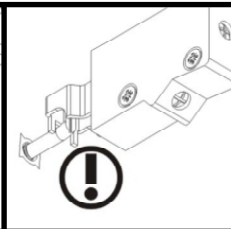
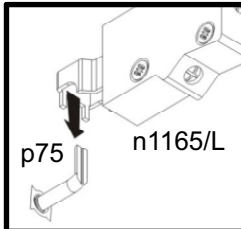
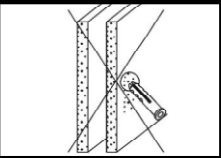
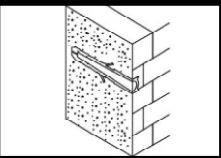
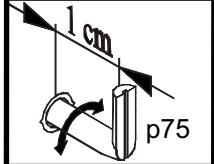
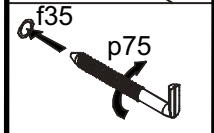
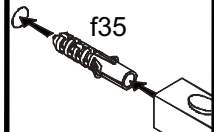
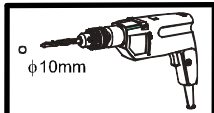
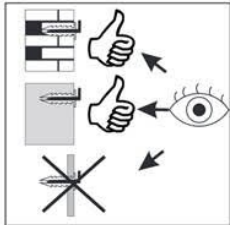
18

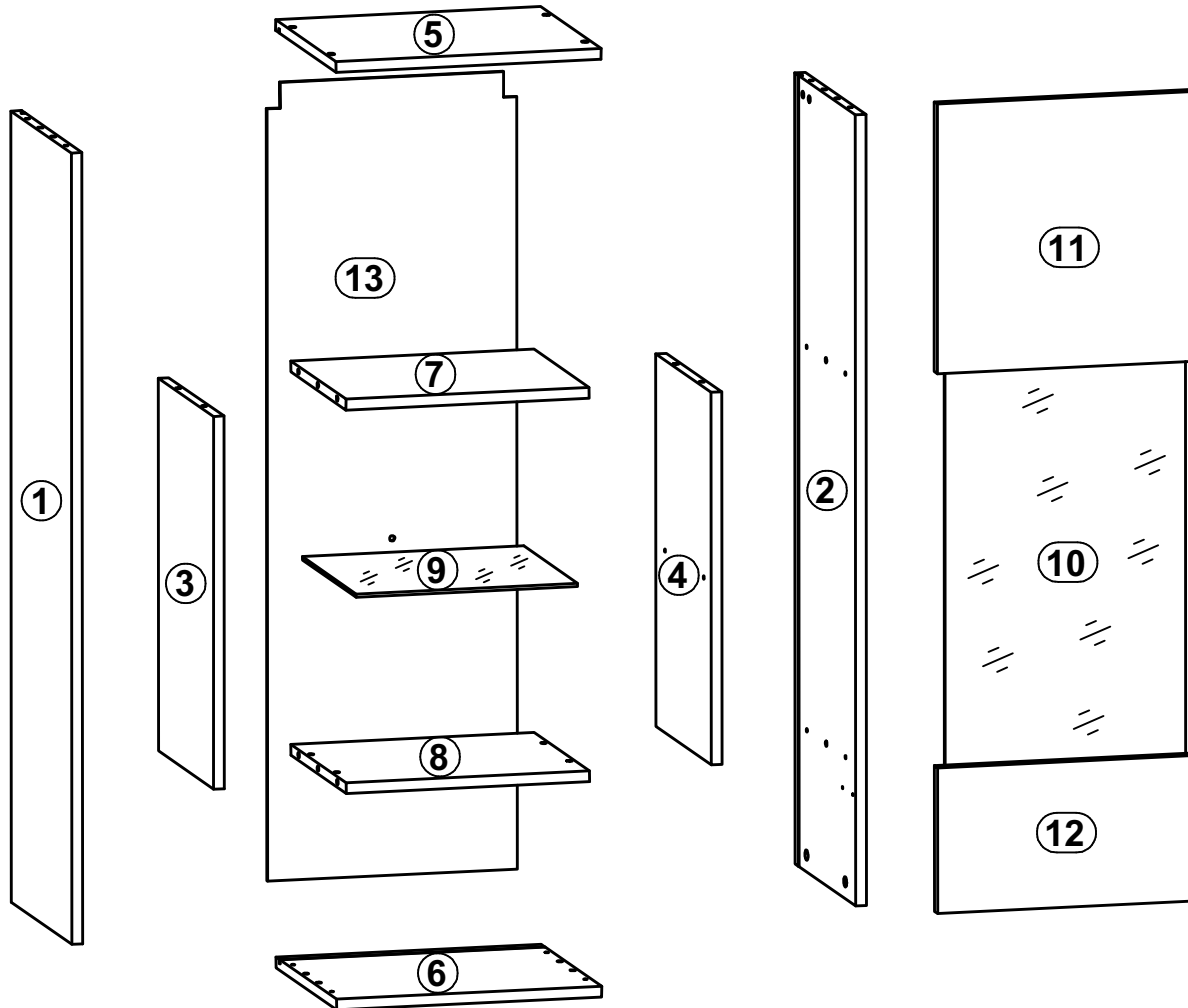
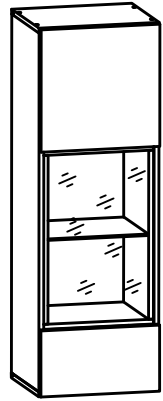


19



20

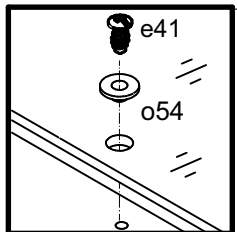
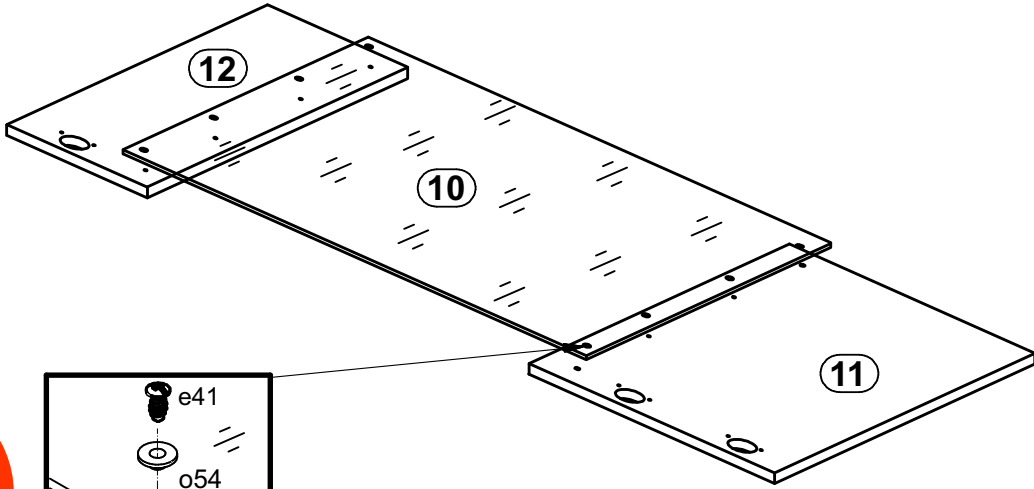
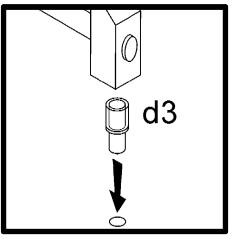
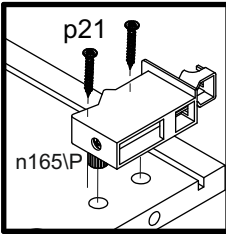
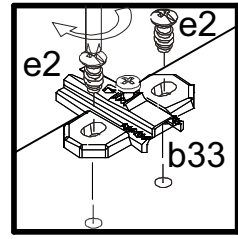
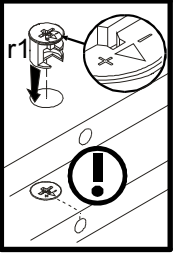
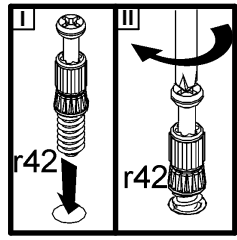
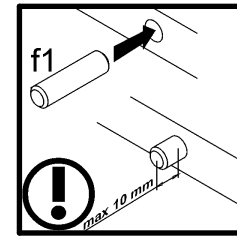
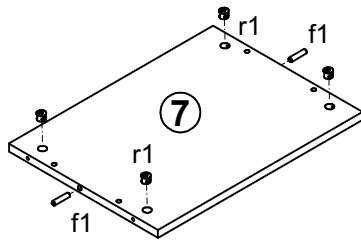
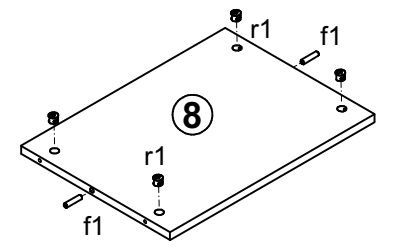
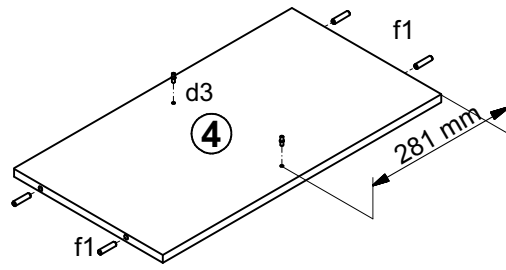
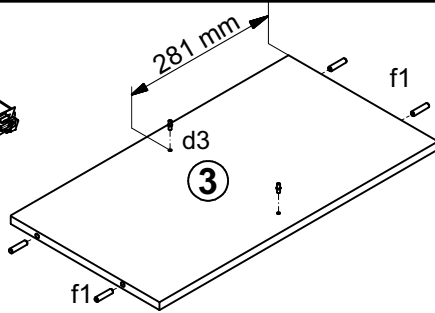
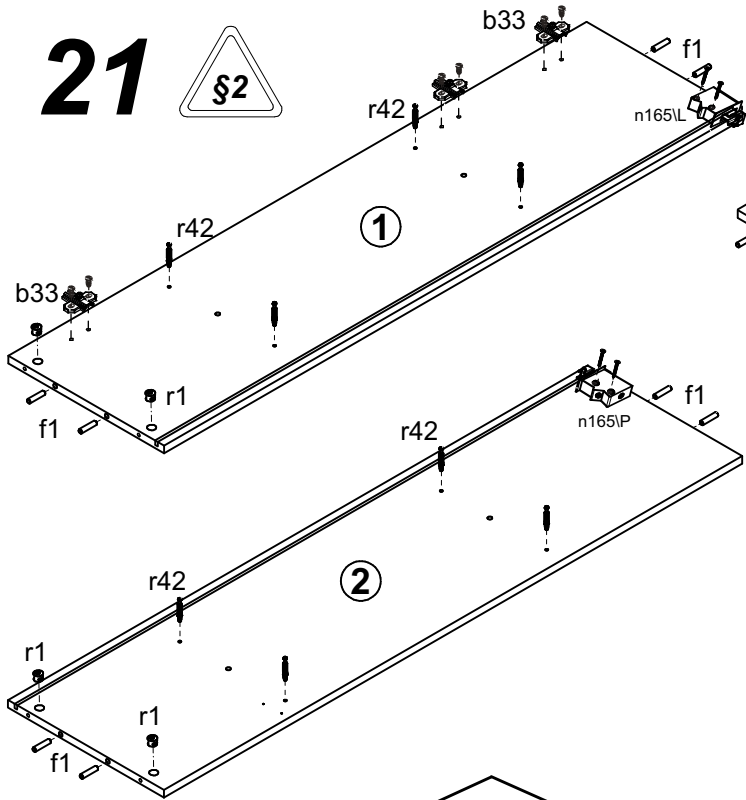




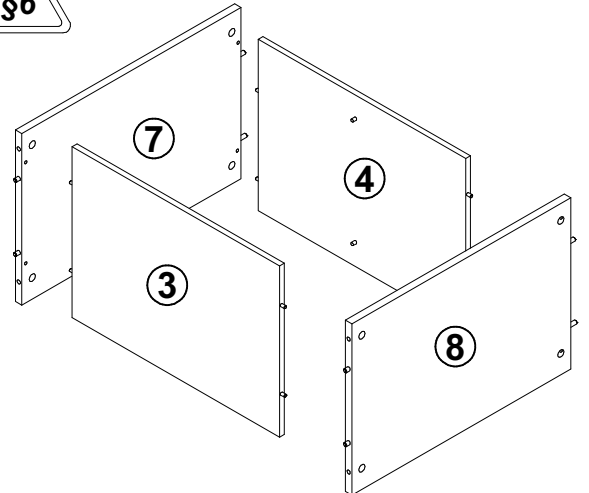
A	B	C (mm)		D
1	N72-103	1168	300	2/6
2	N72-104	1168	300	2/6
3	N72-105	550	274	2/6
4	N72-106	550	274	2/6
5	N72-201	400	300	2/6
6	N72-202	400	300	2/6
7	N72-303	367	274	2/6
8	N72-304	367	274	2/6
9	N72-501	334	268	2/6
10	N72-502	642	363	2/6
11	N72-701	398	395	2/6
12	N72-702	220	395	2/6
13	N72-902	1178	377	2/6



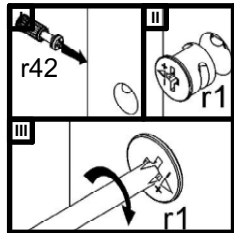
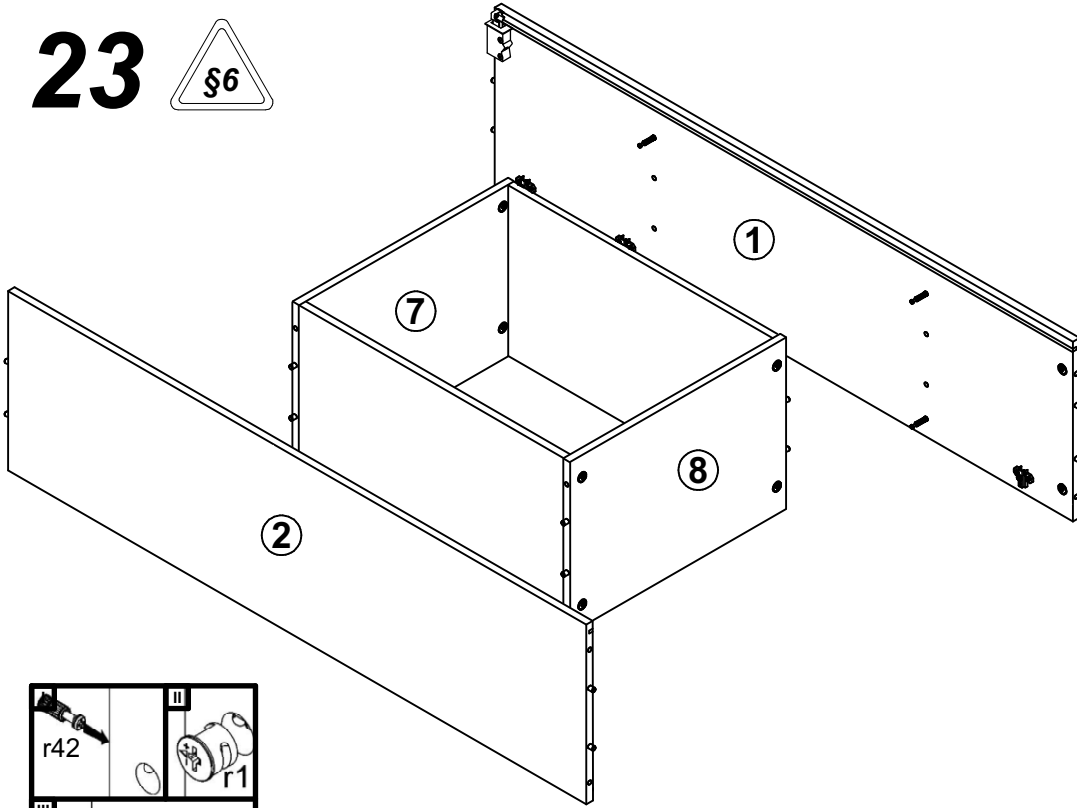
21



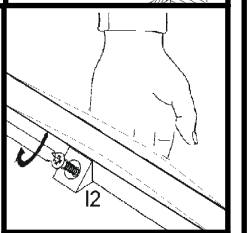
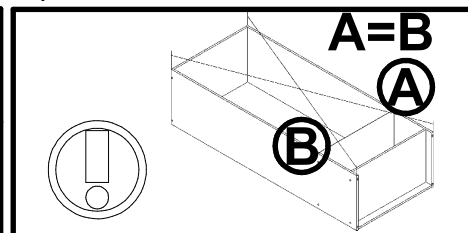
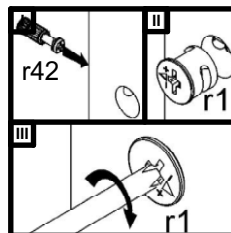
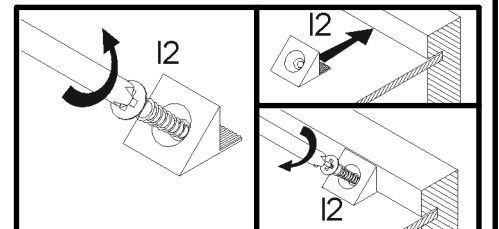
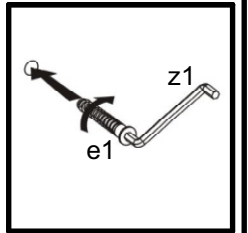
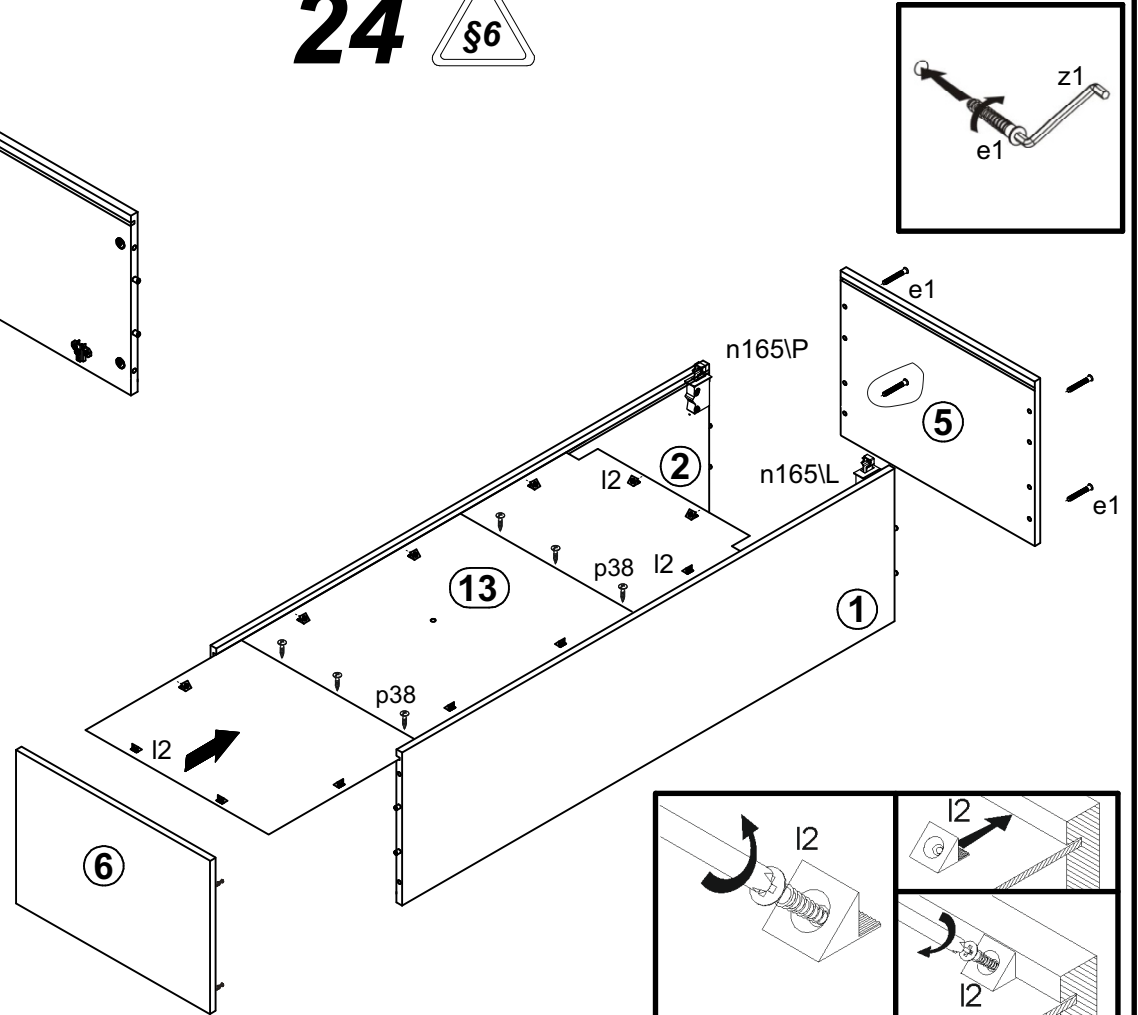
22



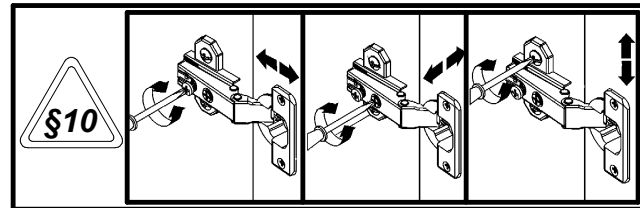
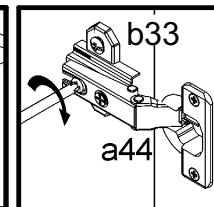
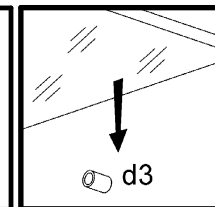
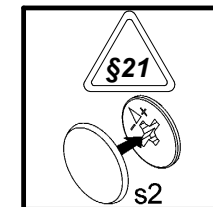
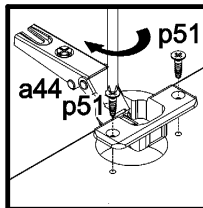
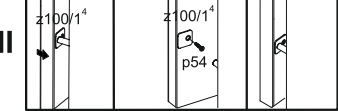
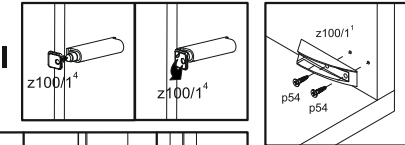
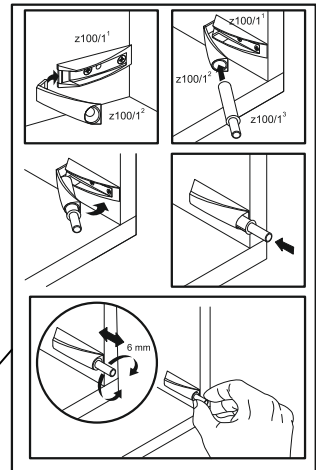
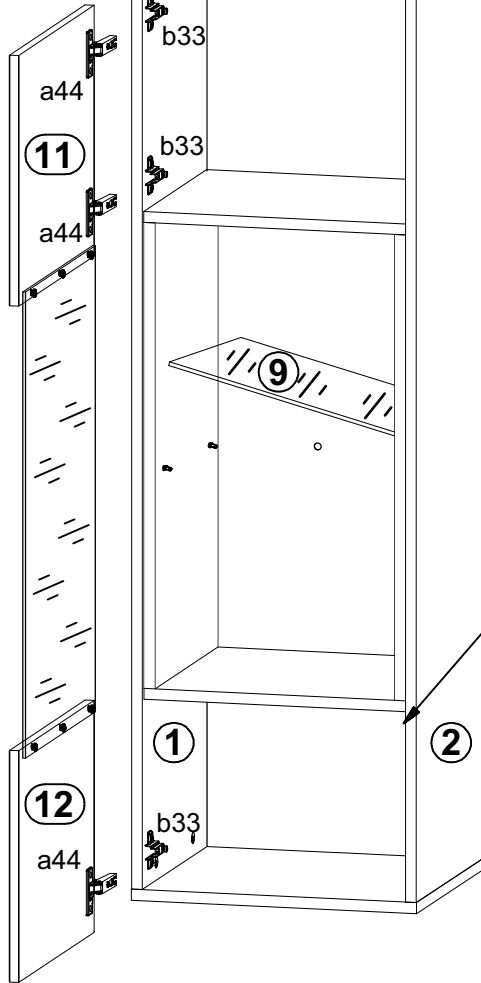
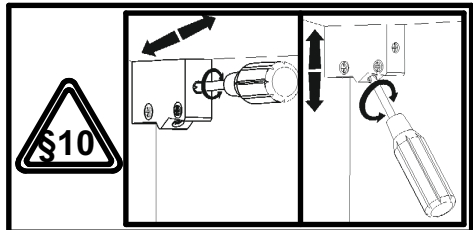
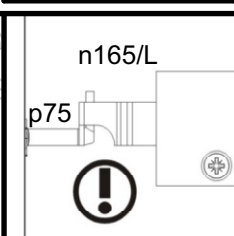
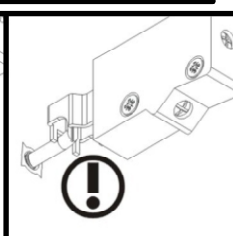
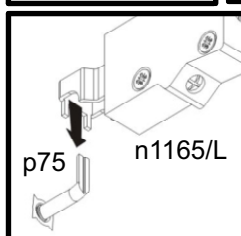
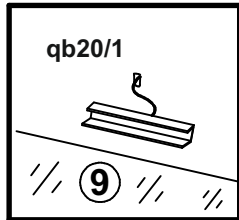
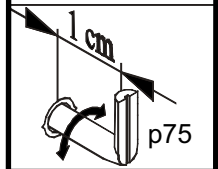
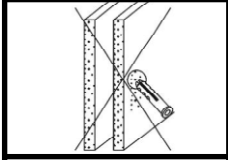
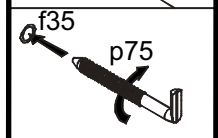
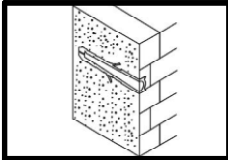
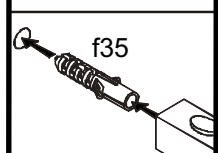
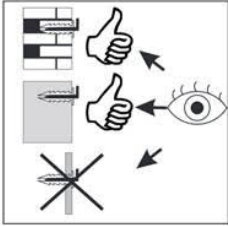
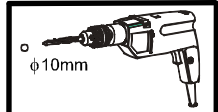
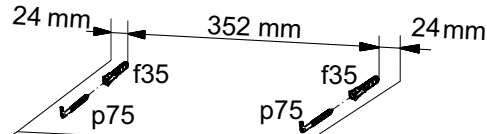
23

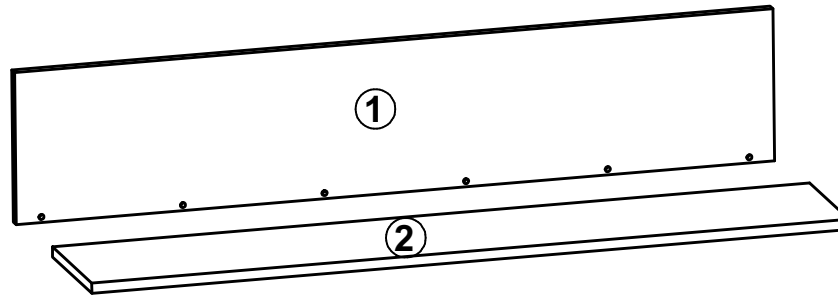


24



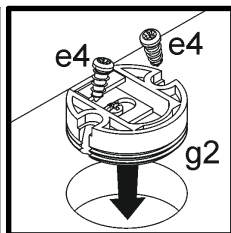
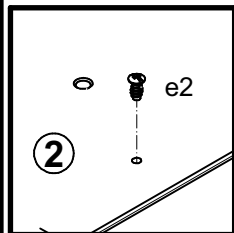
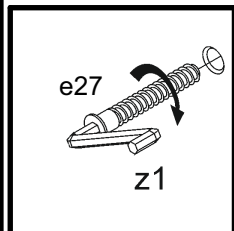
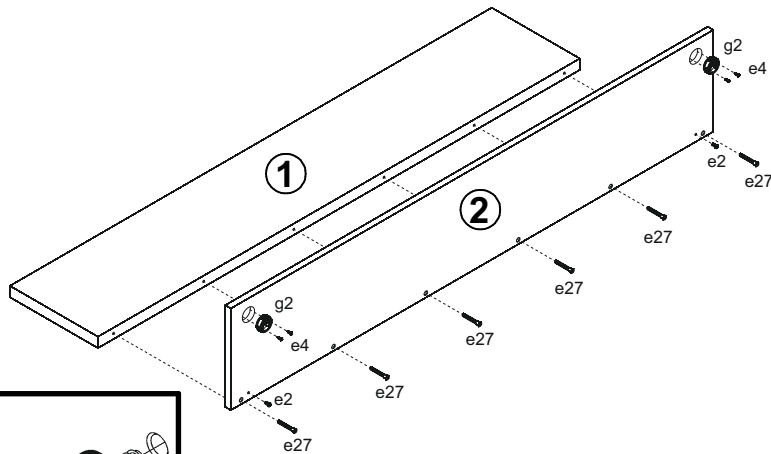
25





A	B	C (mm)		D
1	N72-309	1198	220	3/6
2	N72-405	1200	240	3/6

26



27

