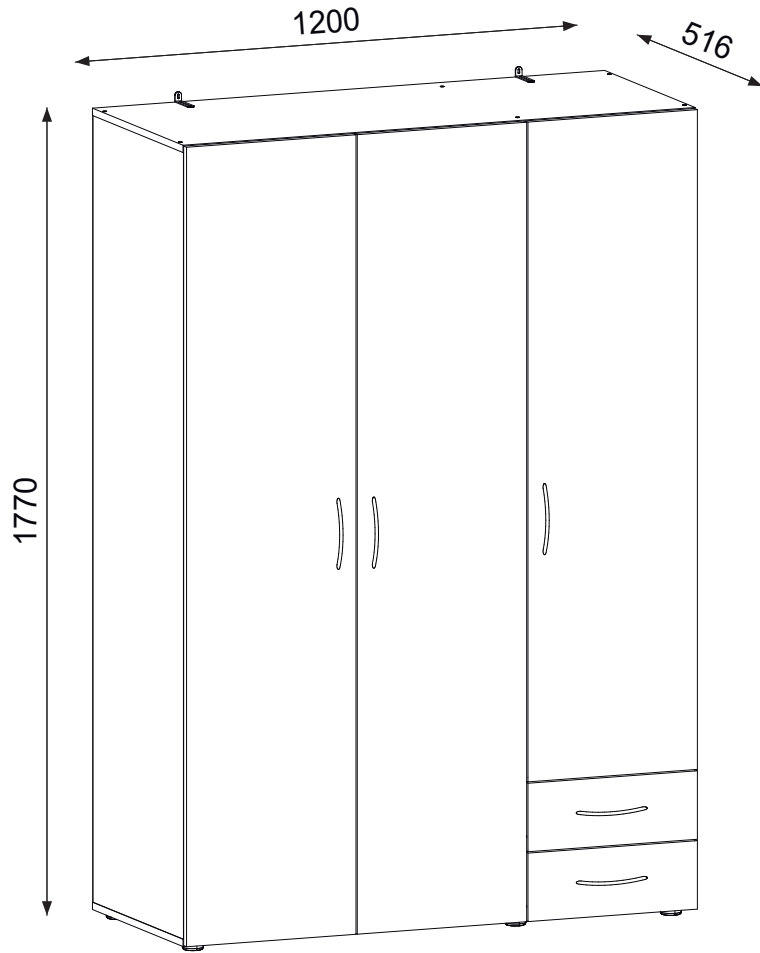
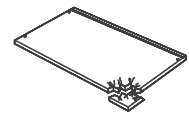
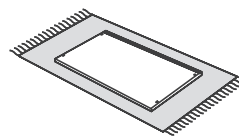
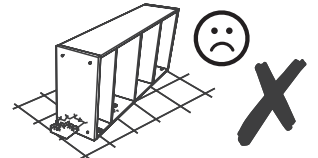
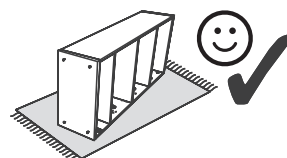
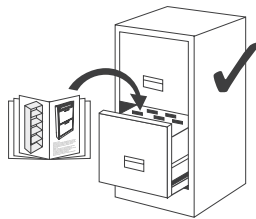
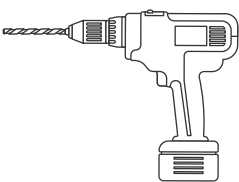
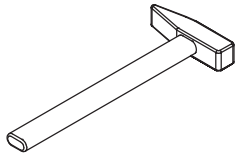
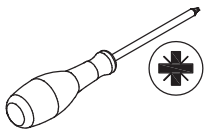
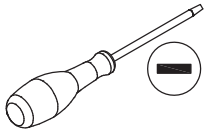
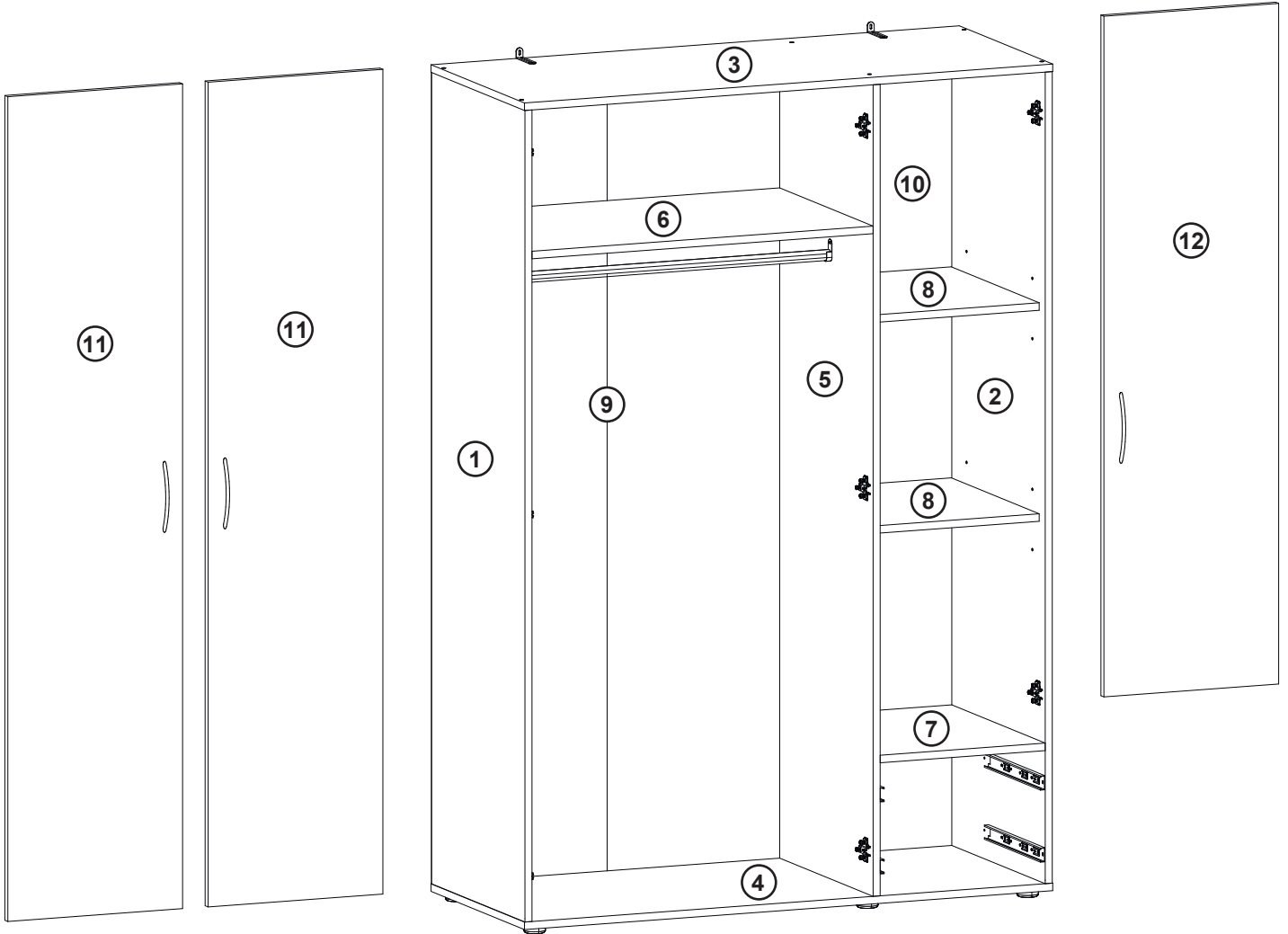
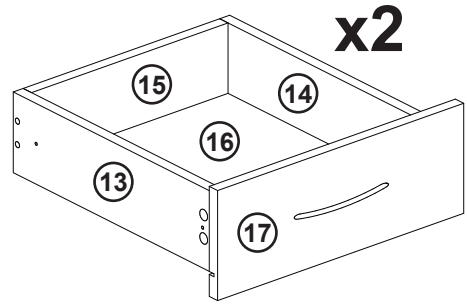
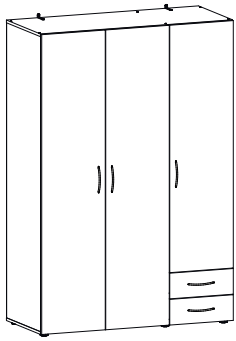




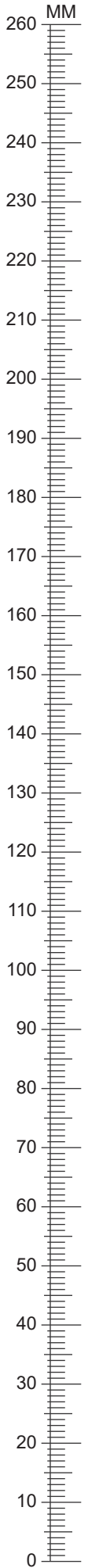
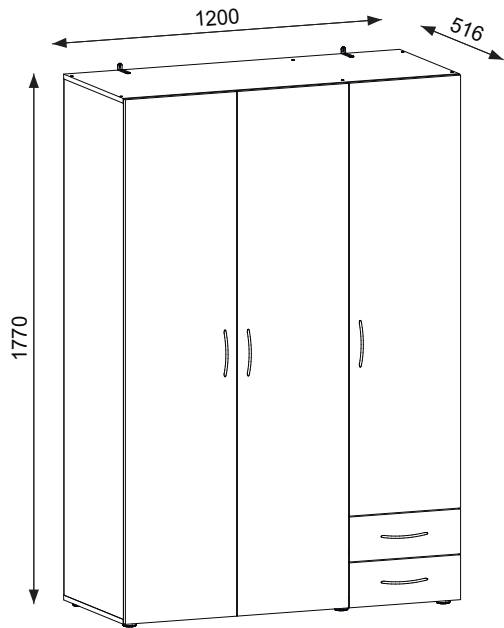
Modell **Wardrobe 3d**

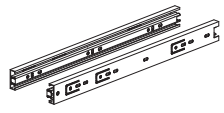










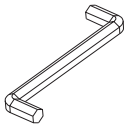
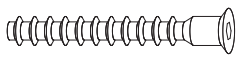
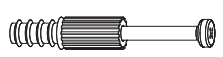

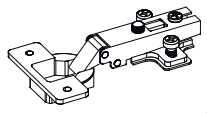
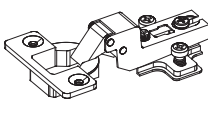

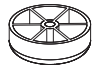


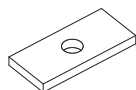
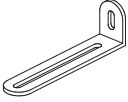
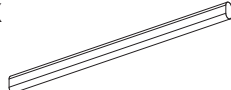
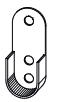


A	B (mm)		C	D
1	1723	500	16	x1 2/3
2	1723	500	16	x1 2/3
3	1200	500	16	x1 1/3
4	1200	500	16	x1 1/3
5	500	1723	16	x1 2/3
6	775	500	16	x1 1/3
7	375	500	16	x1 1/3
8	374	470	16	x2 1/3
9	1751	796	2.5	x1 3/3

A	B (mm)		C	D
10	1751	398	2.5	x1 3/3
11	1751	397	16	x2 3/3
12	1445	397	16	x1 3/3
13	110	400	16	x2 1/3
14	110	400	16	x2 1/3
15	96	317	16	x2 1/3
16	408	333	2.5	x2 1/3
17	397	150	16	x2 1/3



2x  L=400mm <b>n2</b>
10x  Ø 4,2x25mm <b>p25</b>
26x  Ø 8x30mm <b>f1</b>
12x  Ø 20mm <b>s2</b>
6x  Ø 4x20mm <b>p27</b>
16x  Ø 3,5x16mm <b>p51</b>
8x  Ø 5mm <b>d1</b>
6x  Ø 6mm <b>r5</b>
17x  Ø 3x16mm <b>p50</b>

1x  4mm <b>z1</b>	20x  Ø 6,3x50mm <b>e27</b>
16x  45mm <b>r23</b>	16x  Ø 15x12mm <b>r1</b>
5x  Ø 35mm <b>ab1</b>	3x  Ø 35mm <b>ab2</b>
12x  Ø 5x13 mm <b>e3</b>	6x  15x45x45mm <b>k46</b>
5x  L=128mm <b>c252</b>	50x  Ø 2x20mm <b>g1</b>
5x  L=20x10x2 mm <b>n108</b>	2x  L=75x25x15mm <b>n14/2</b>
1x  L=770x23x15mm <b>t1</b>	2x  30x15mm <b>t3</b>

# 1

f1 x 12



Ø 8x30mm

r23 x 4



45mm

b1 x 5



40x50x12mm

t3 x 1



30x15mm

e3 x 6

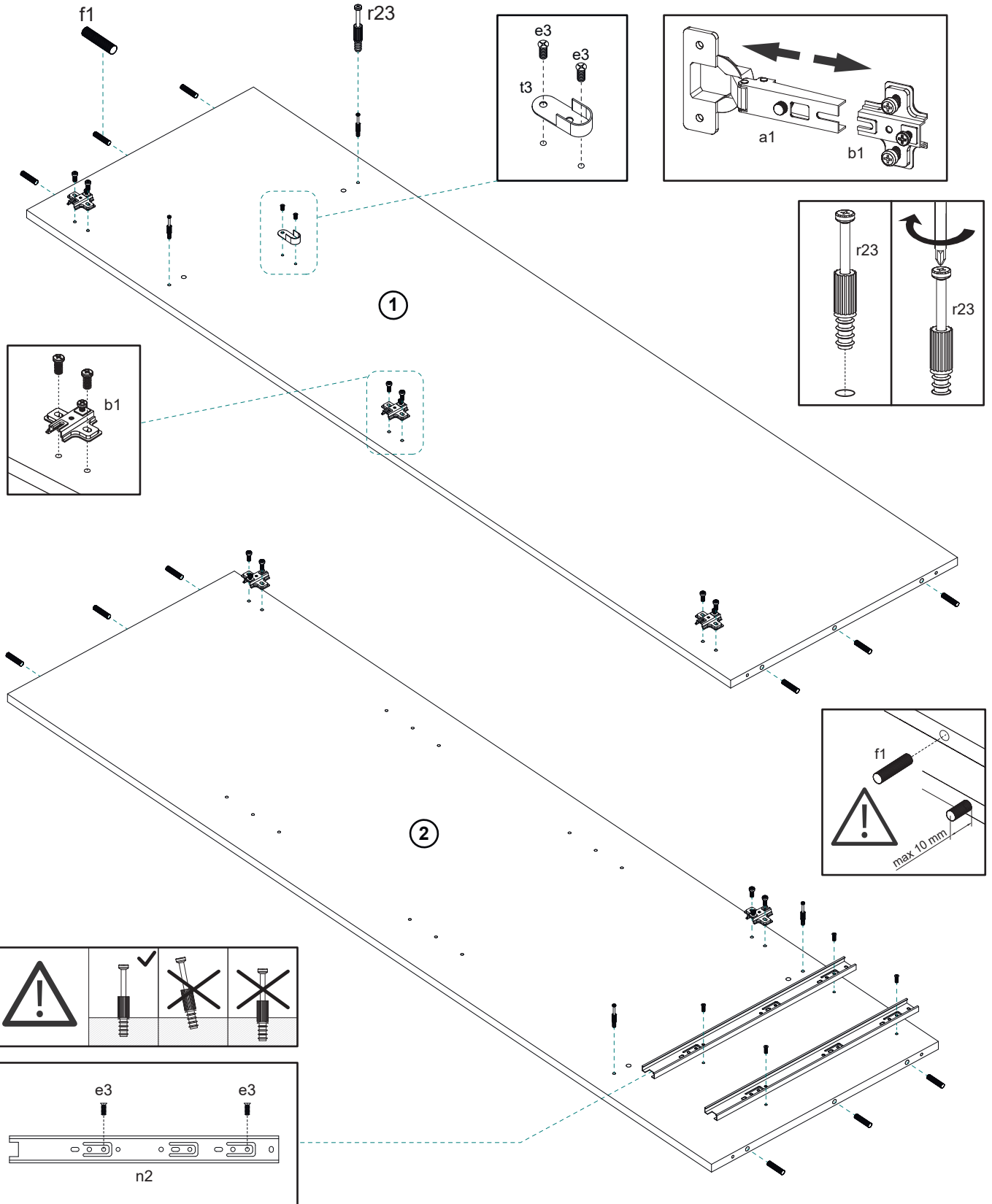


Ø 5x13mm

n2 x 2



L=400mm



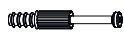
# 2

f1 x 6



Ø 8x30mm

r23 x 4



45mm

b2 x 3



40x50x12mm

t3 x 1



30x15mm

e3 x 6

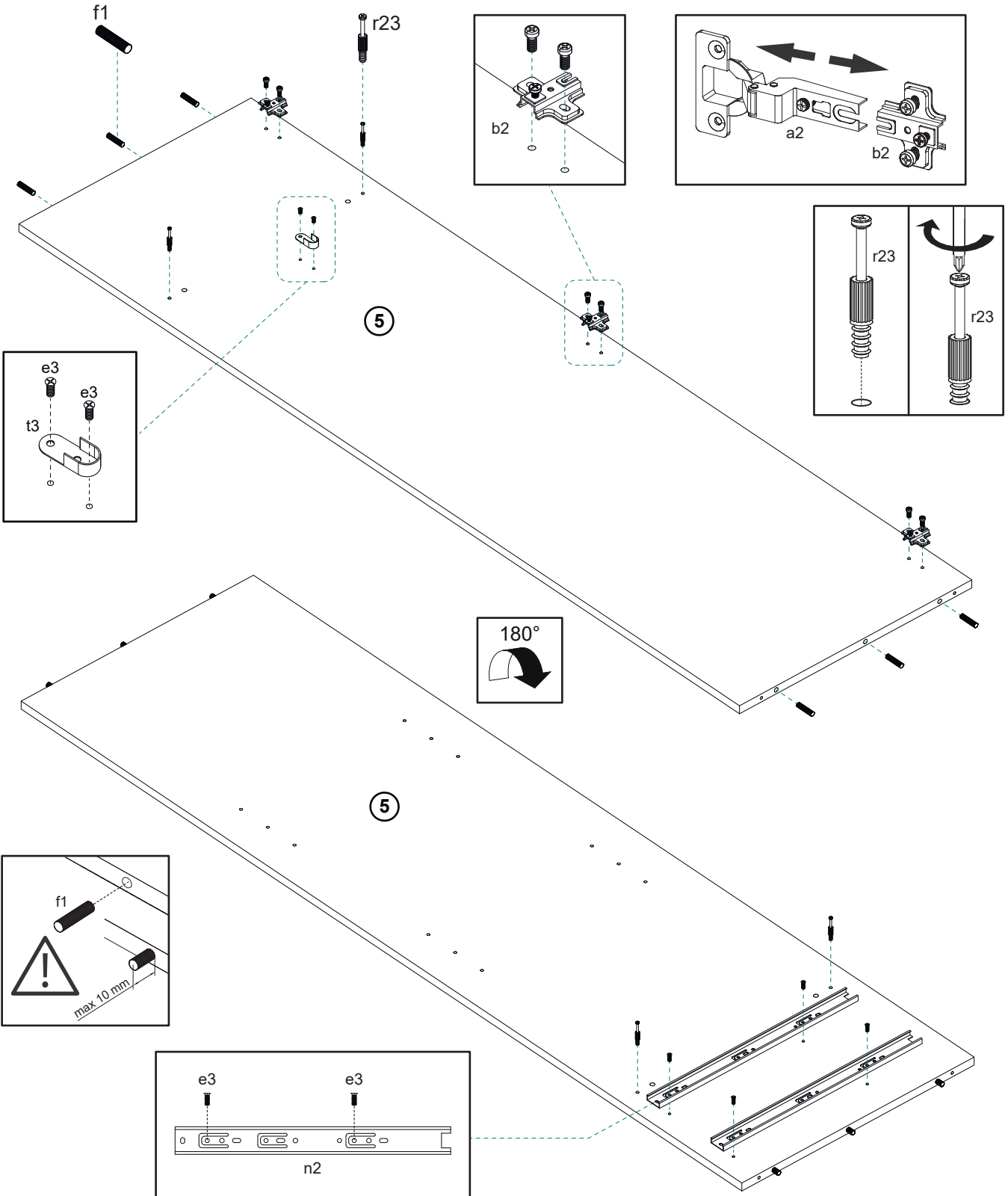


Ø 5x13mm

n2 x 2



L=400mm



# 3

f1 x 8

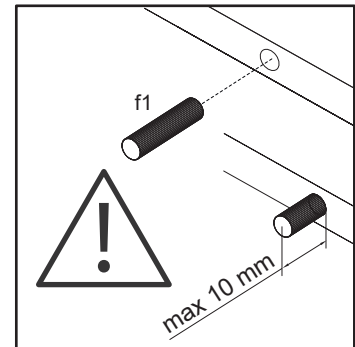
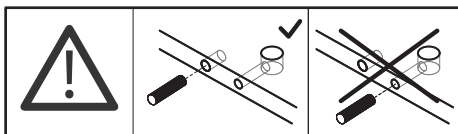
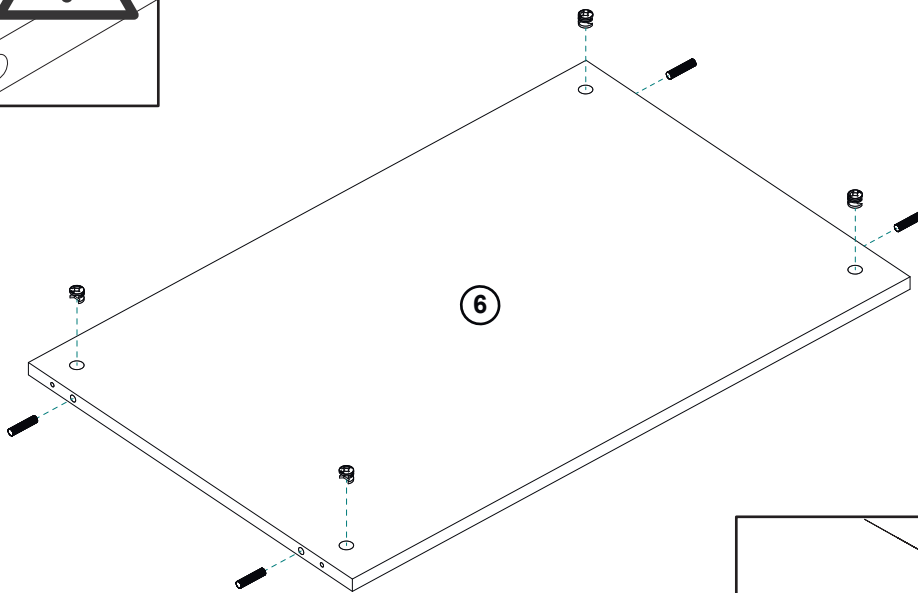
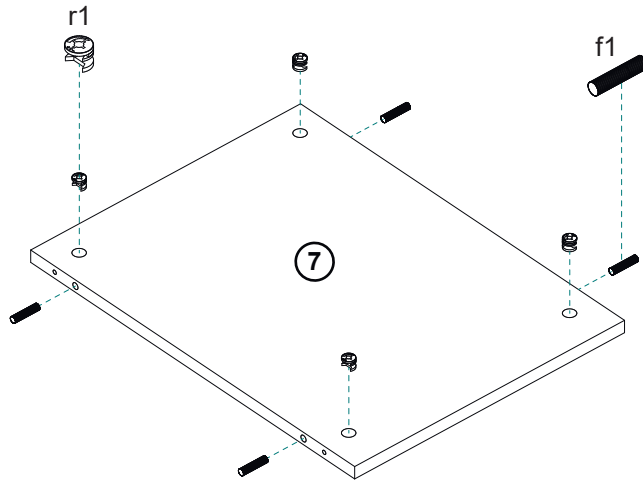
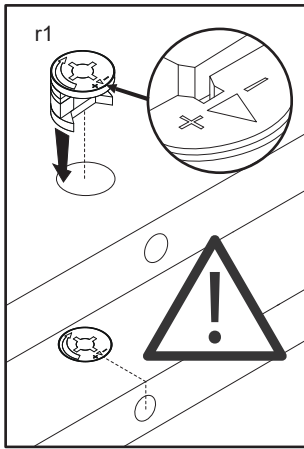


Ø 8x30mm

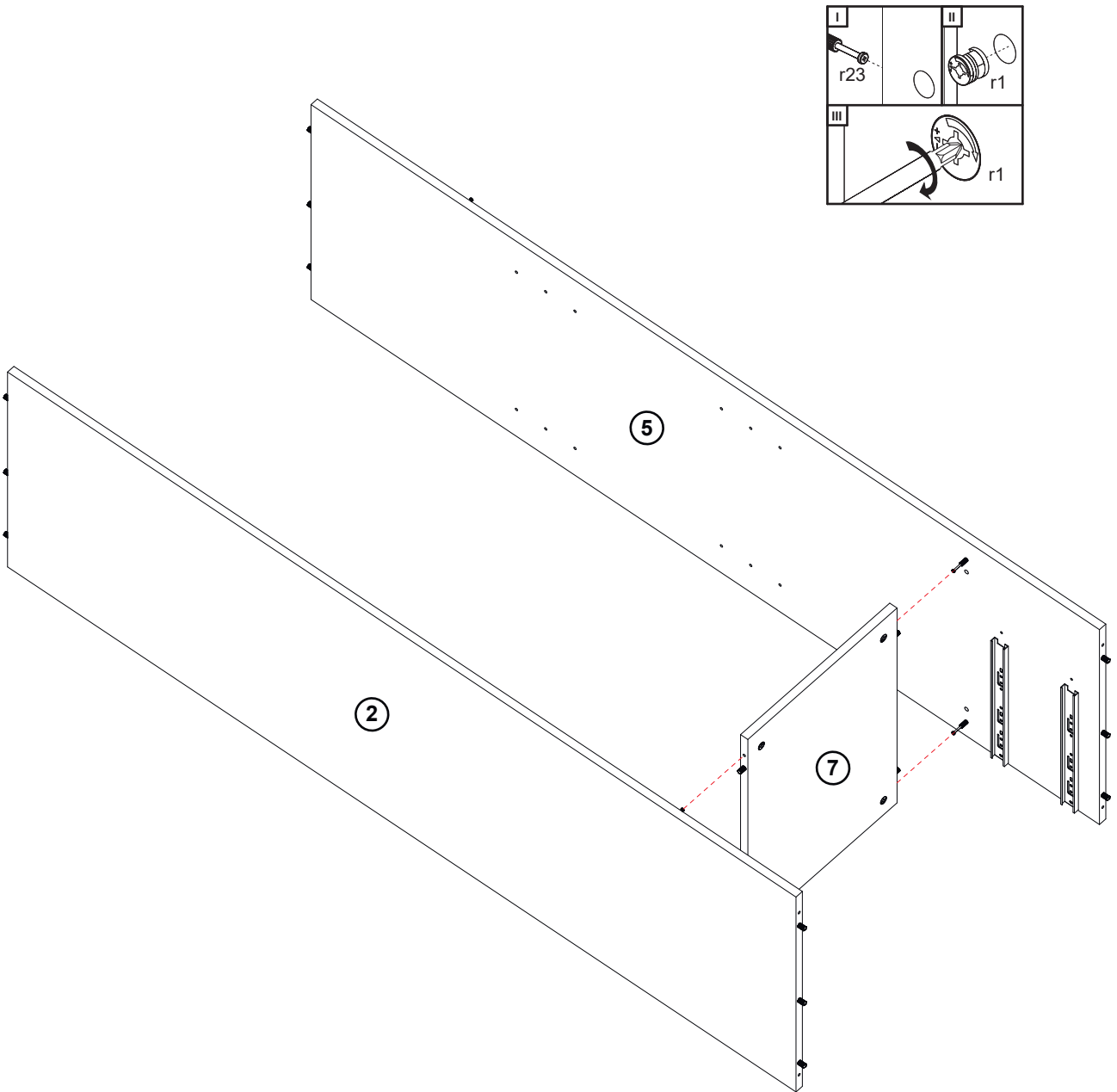
r1 x 8



Ø 15x12mm



4

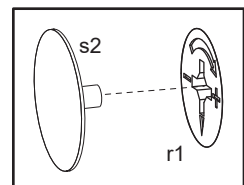
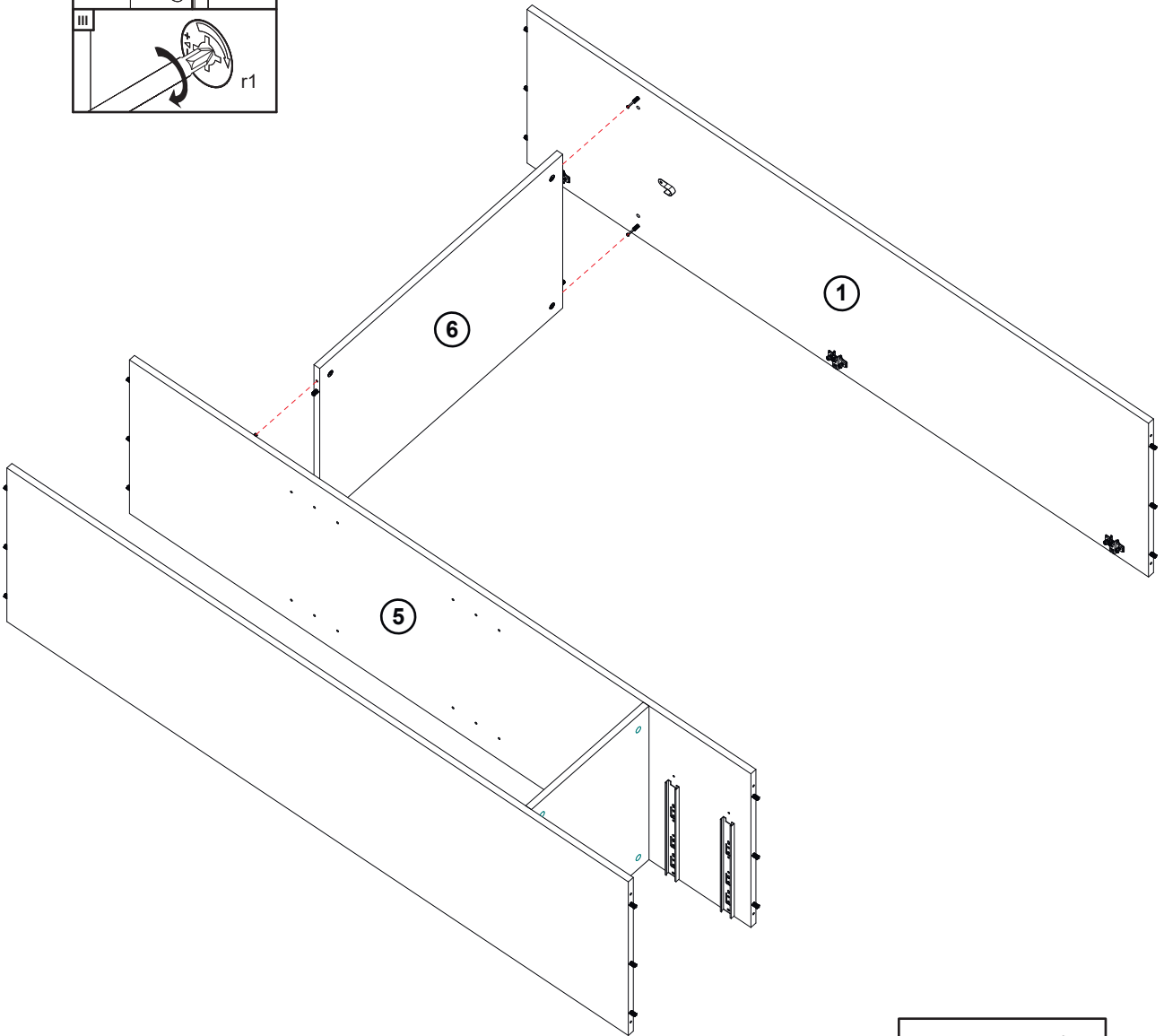
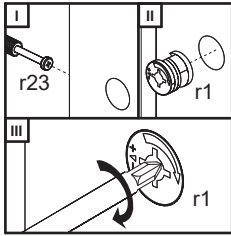


# 5

s2 x 4



Ø 20mm





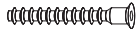
# 6

z1 x 1

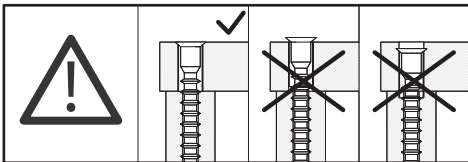
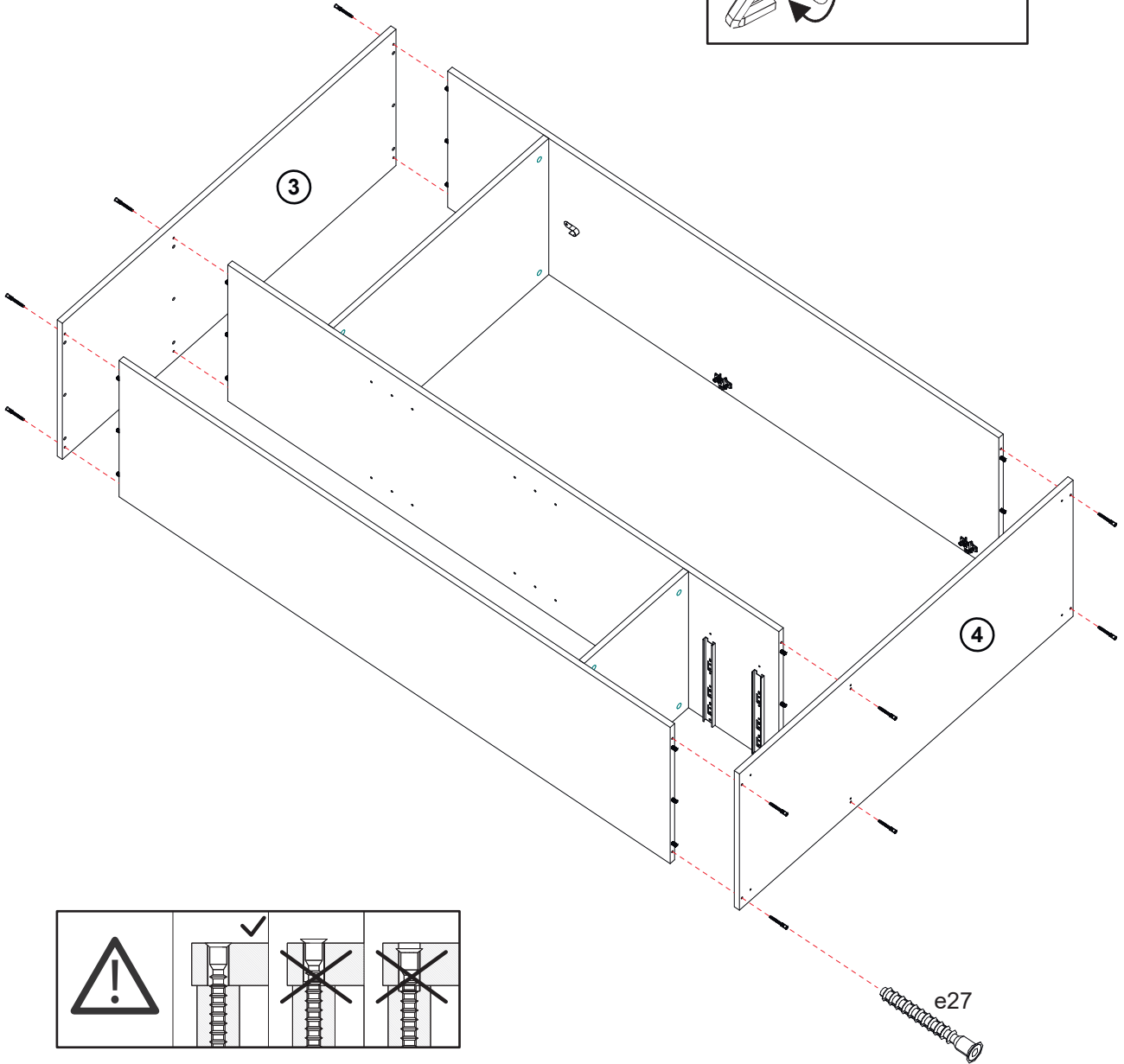
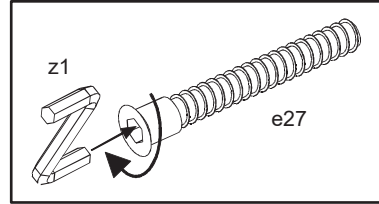


4mm

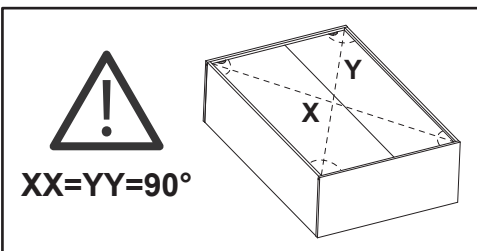
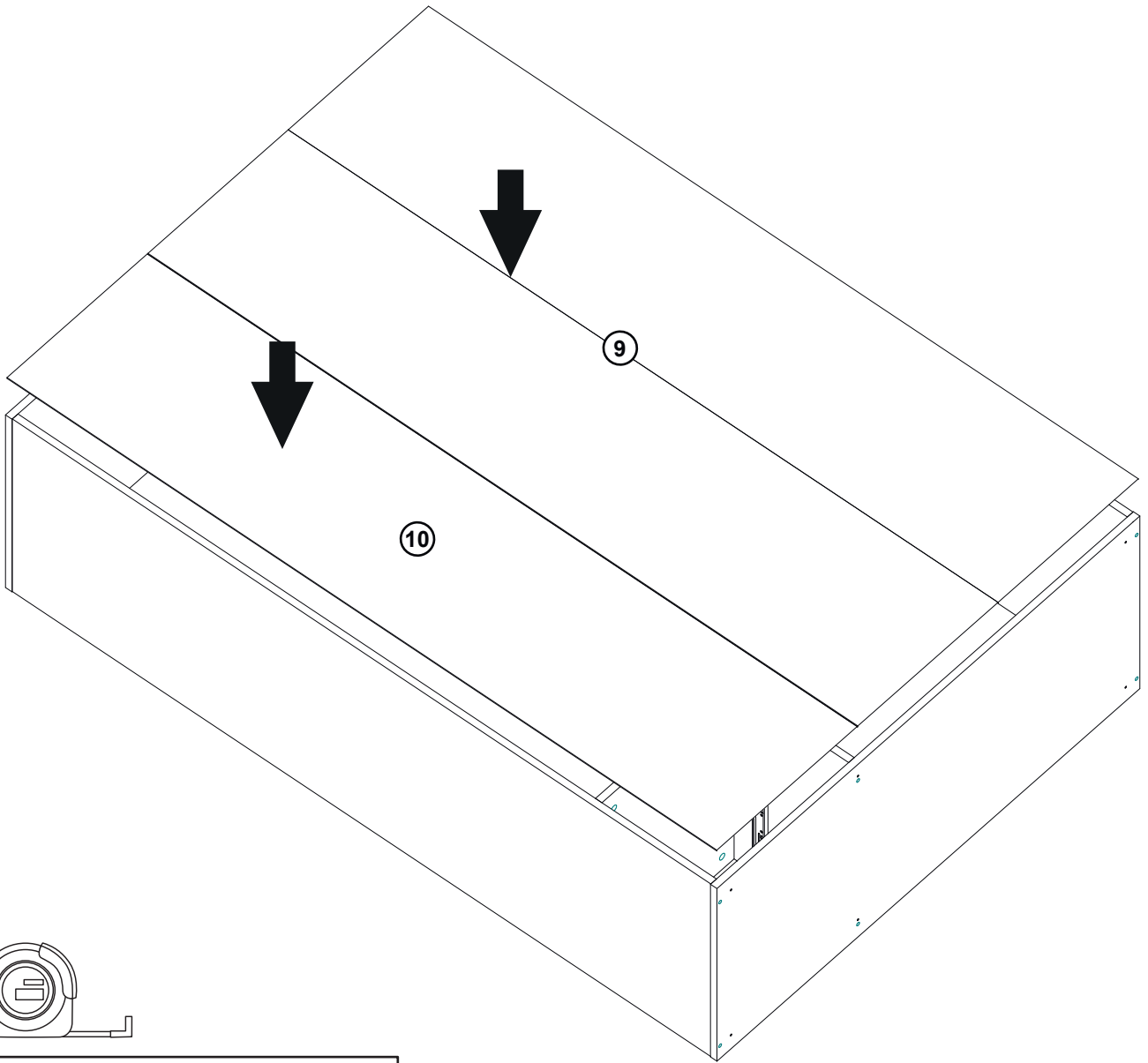
e27 x 12



Ø 6,3x50mm



7



# 8

k46 x 6



15x45x45mm

p27 x 6



Ø 4x20mm

n108 x 5



L=20x10x2mm

p50 x 5

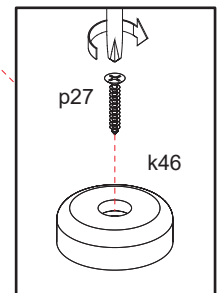
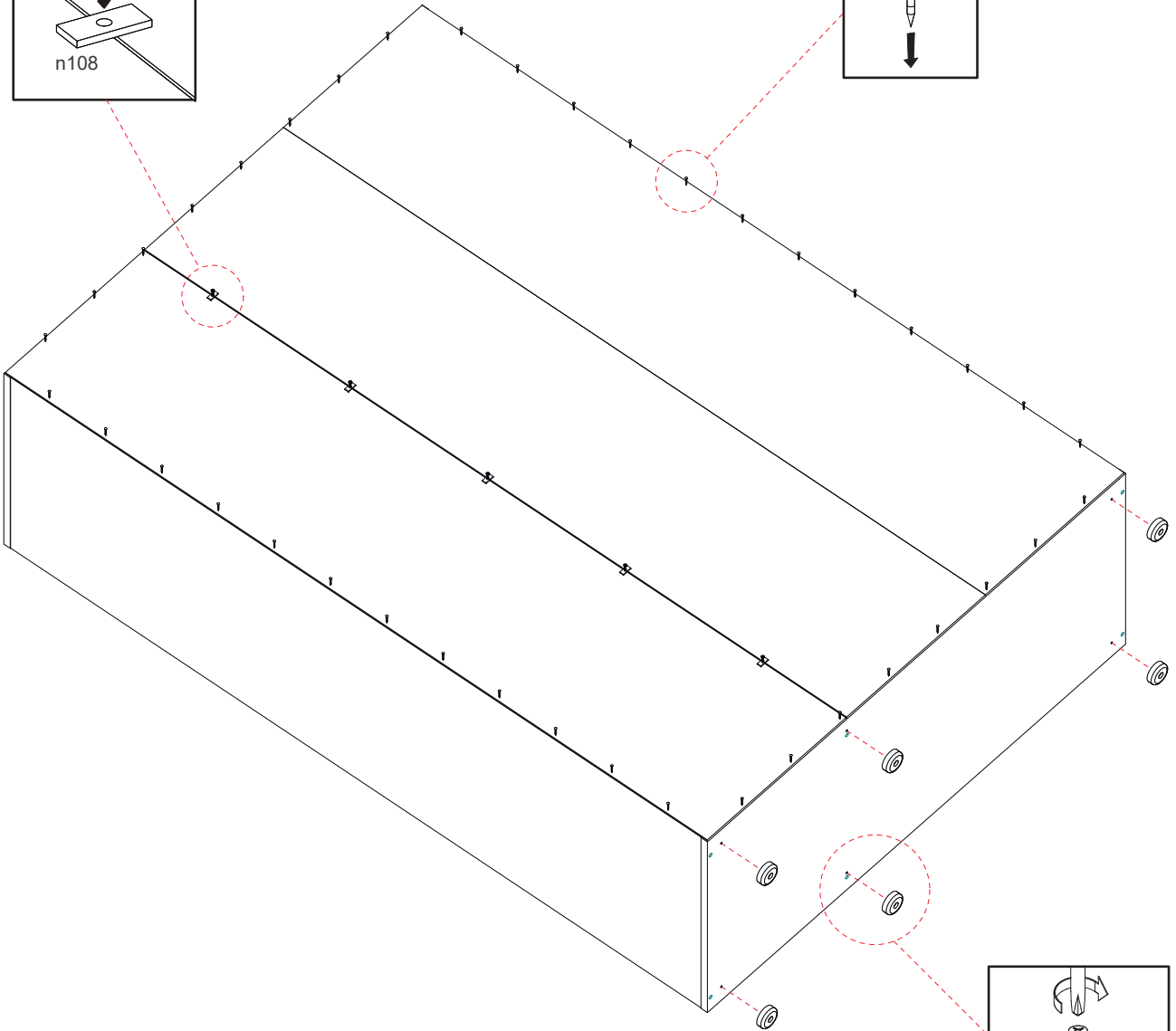
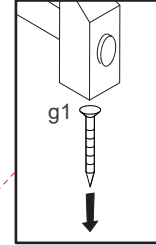
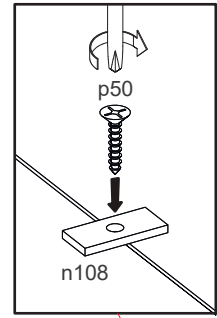


Ø 3x16mm

g1 x 40



Ø 2x20mm



# 9

t1 x 1

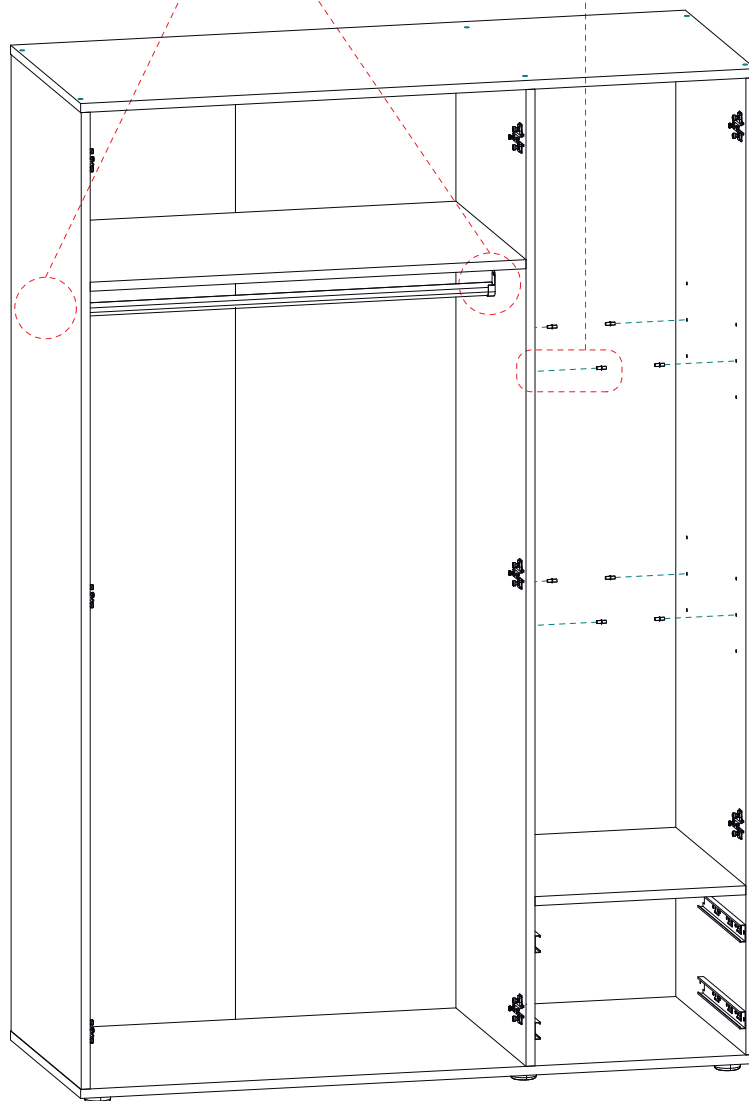
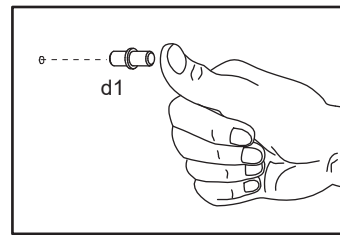
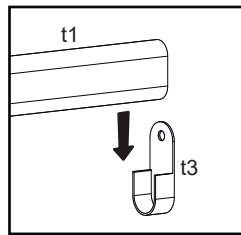


L=770x23x15mm

d1 x 8

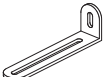


Ø 5mm



# 10

n14/2 x 2

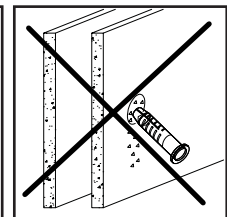
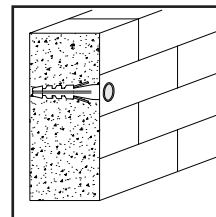
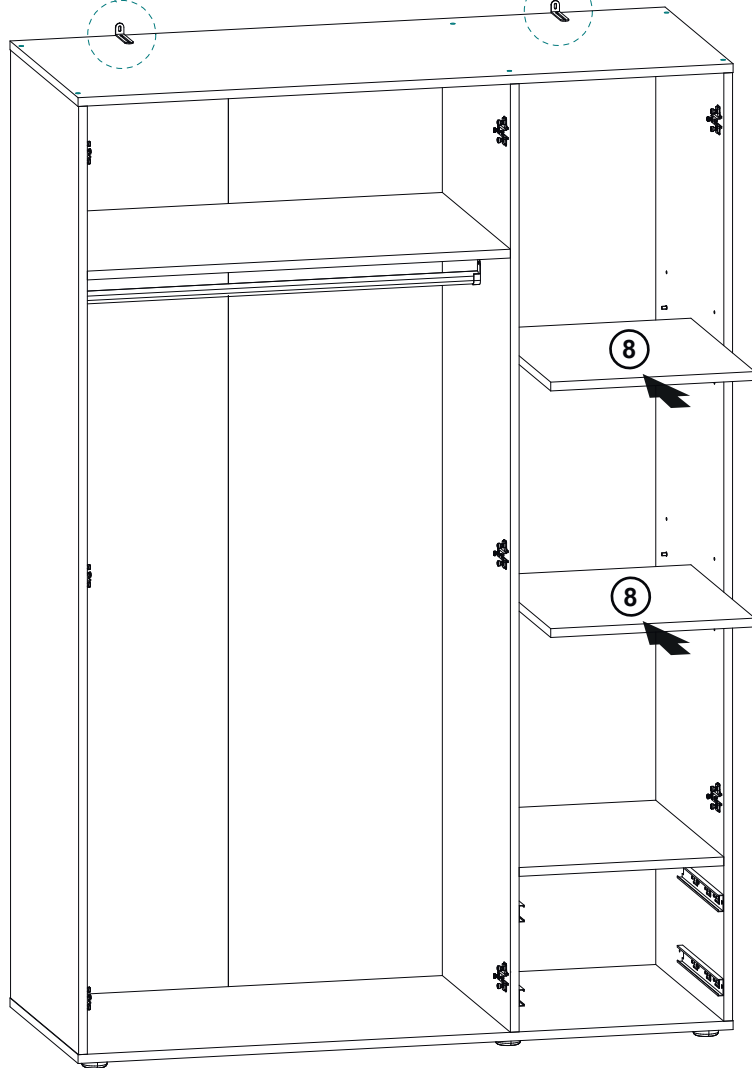
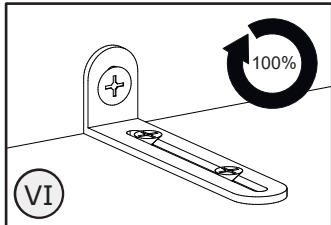
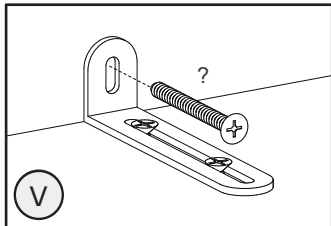
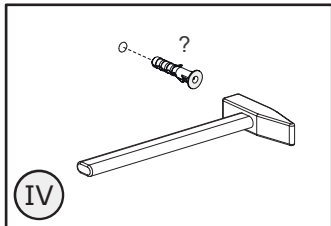
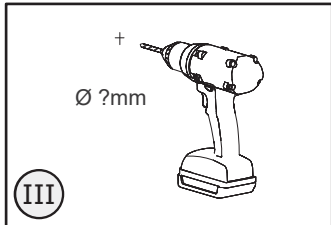
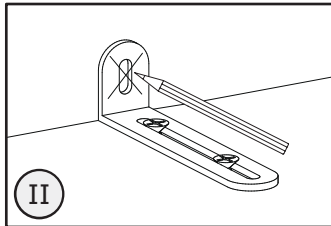
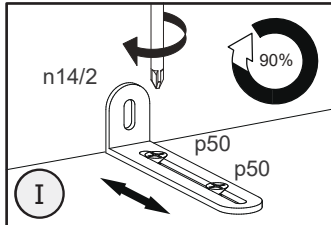
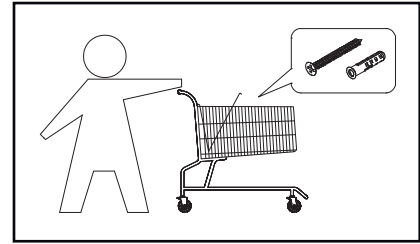


L=75x25x15mm

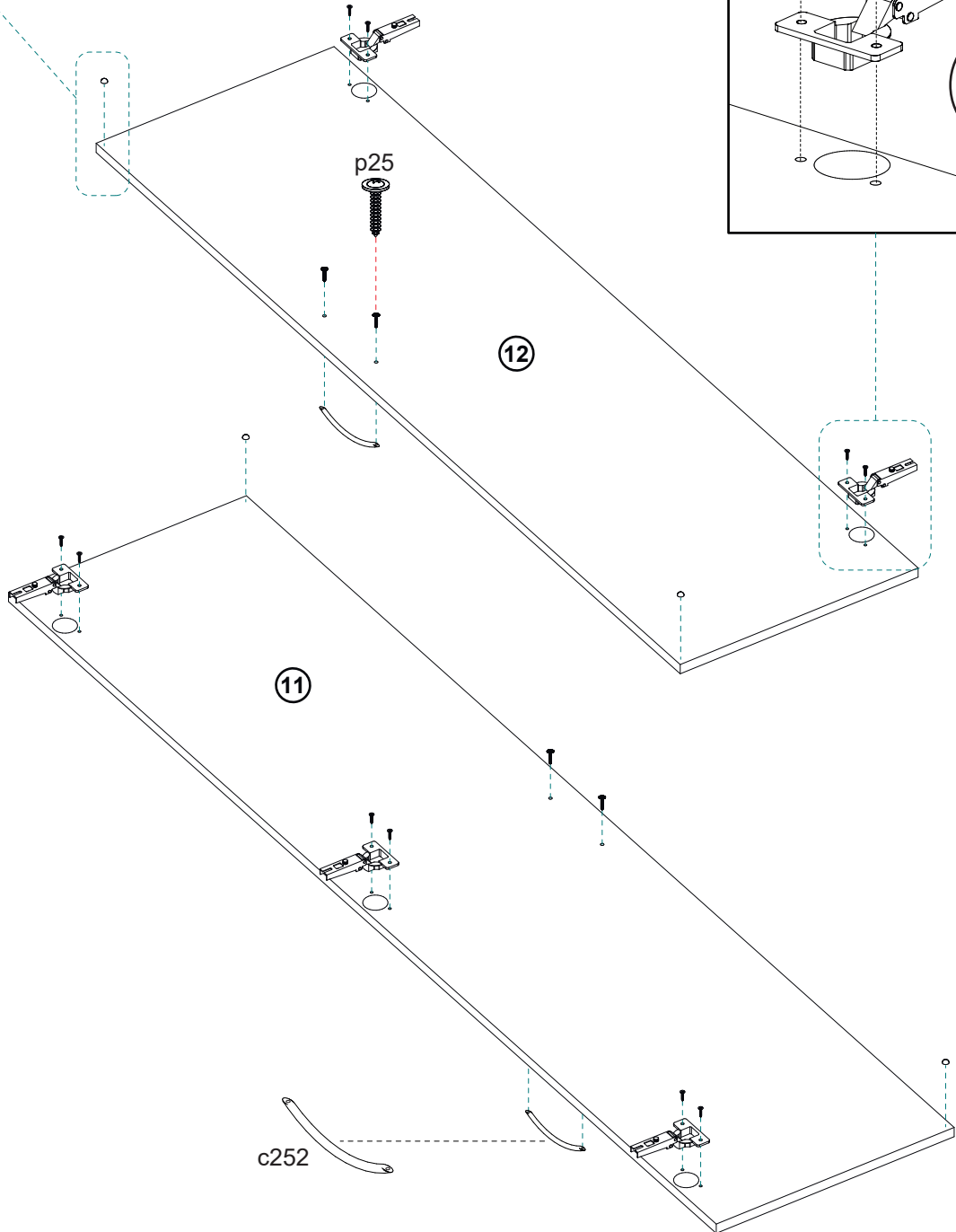
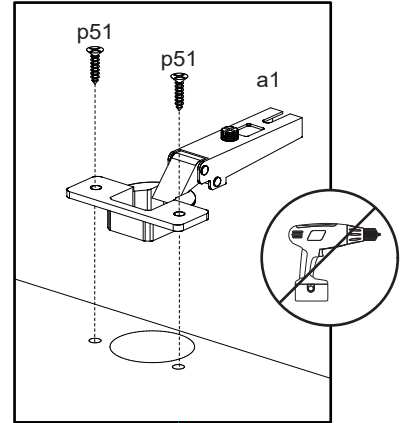
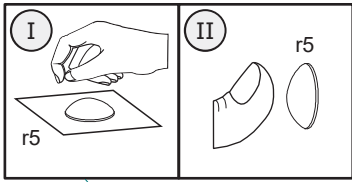
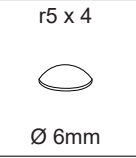
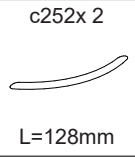
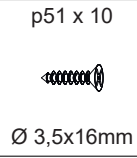
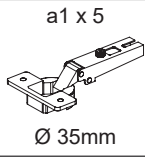
p50 x 4



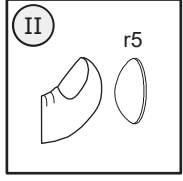
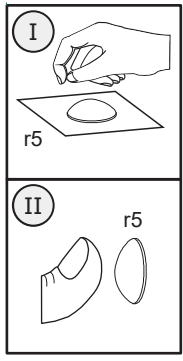
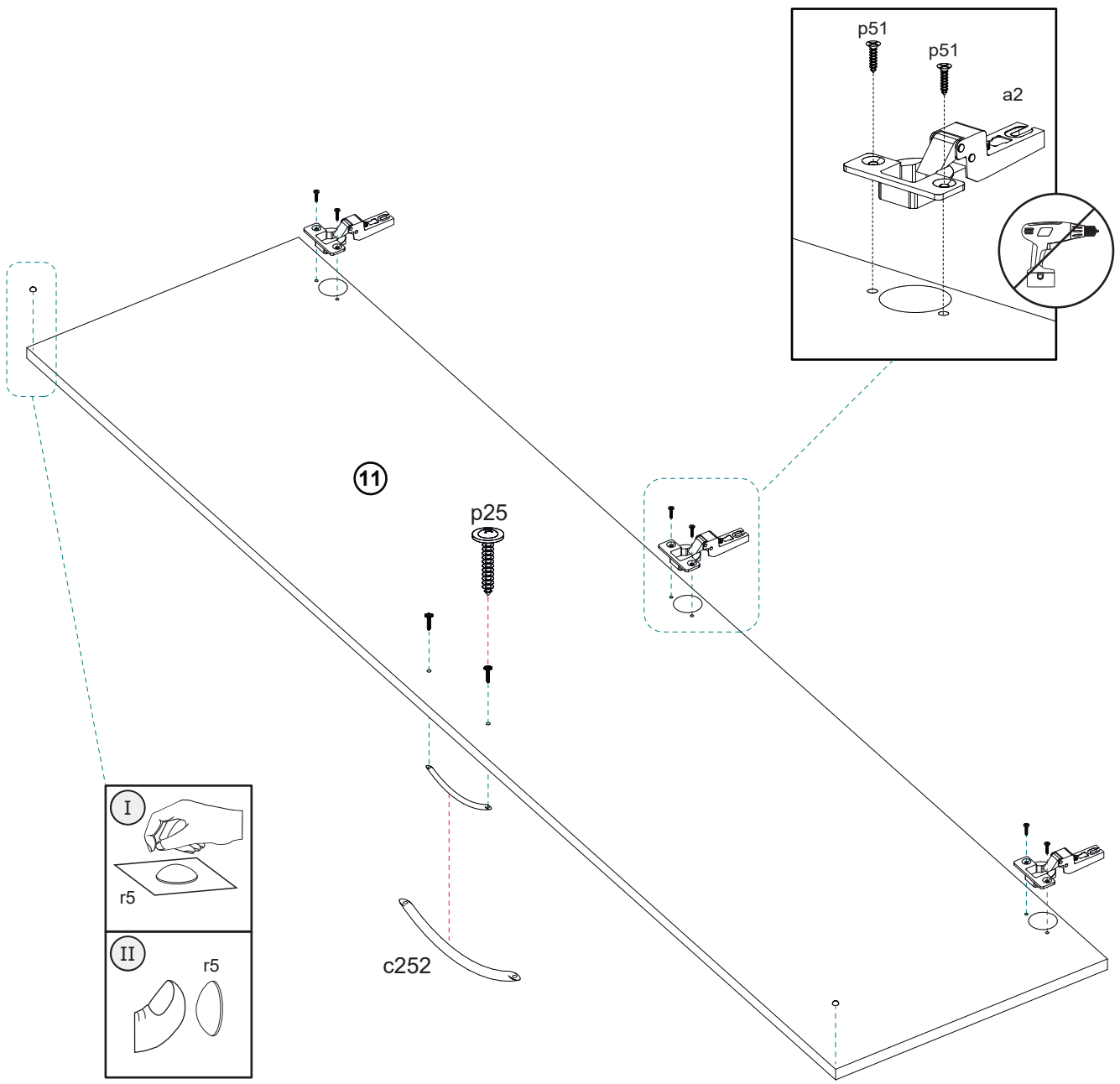
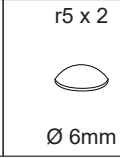
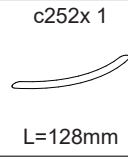
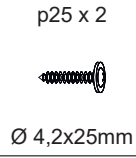
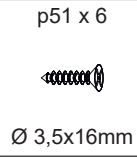
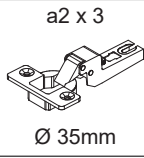
Ø 3x16mm



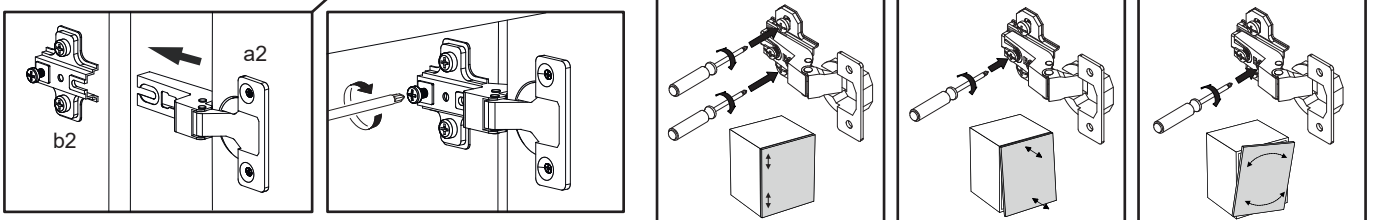
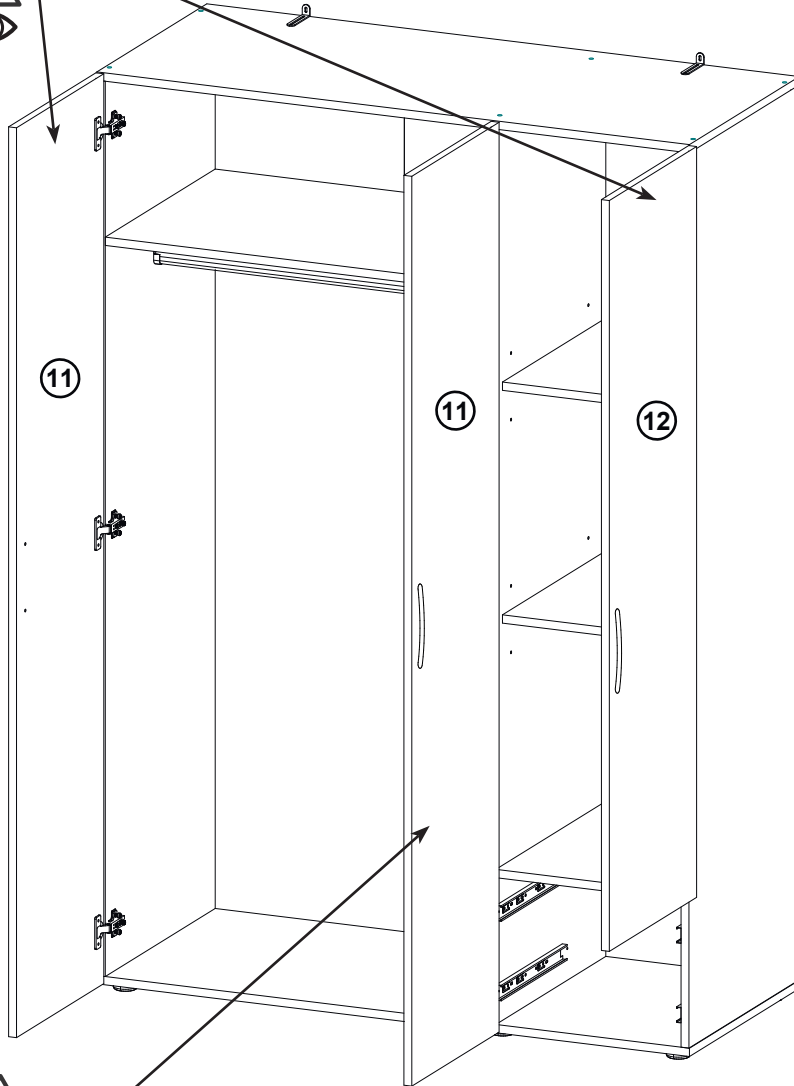
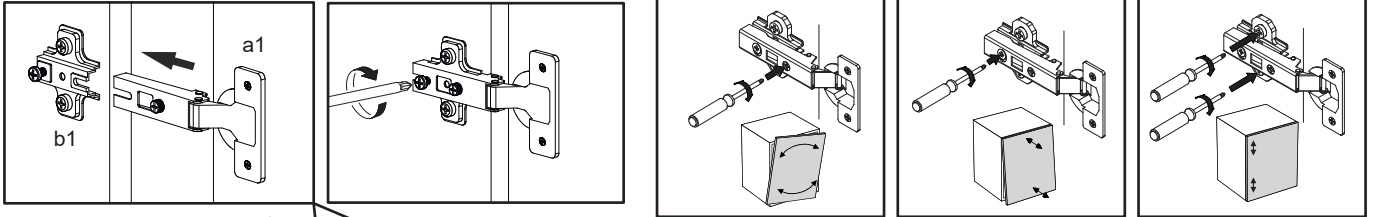
# 11



# 12



# 13





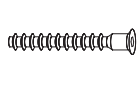
# 14

z1 x 1



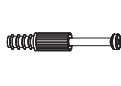
4mm

e27 x 8



Ø 6,3x50mm

r23 x 8



45mm

r1 x 8



Ø 15x12mm

p25 x 4



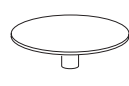
Ø 4,2x25mm

c252x 2

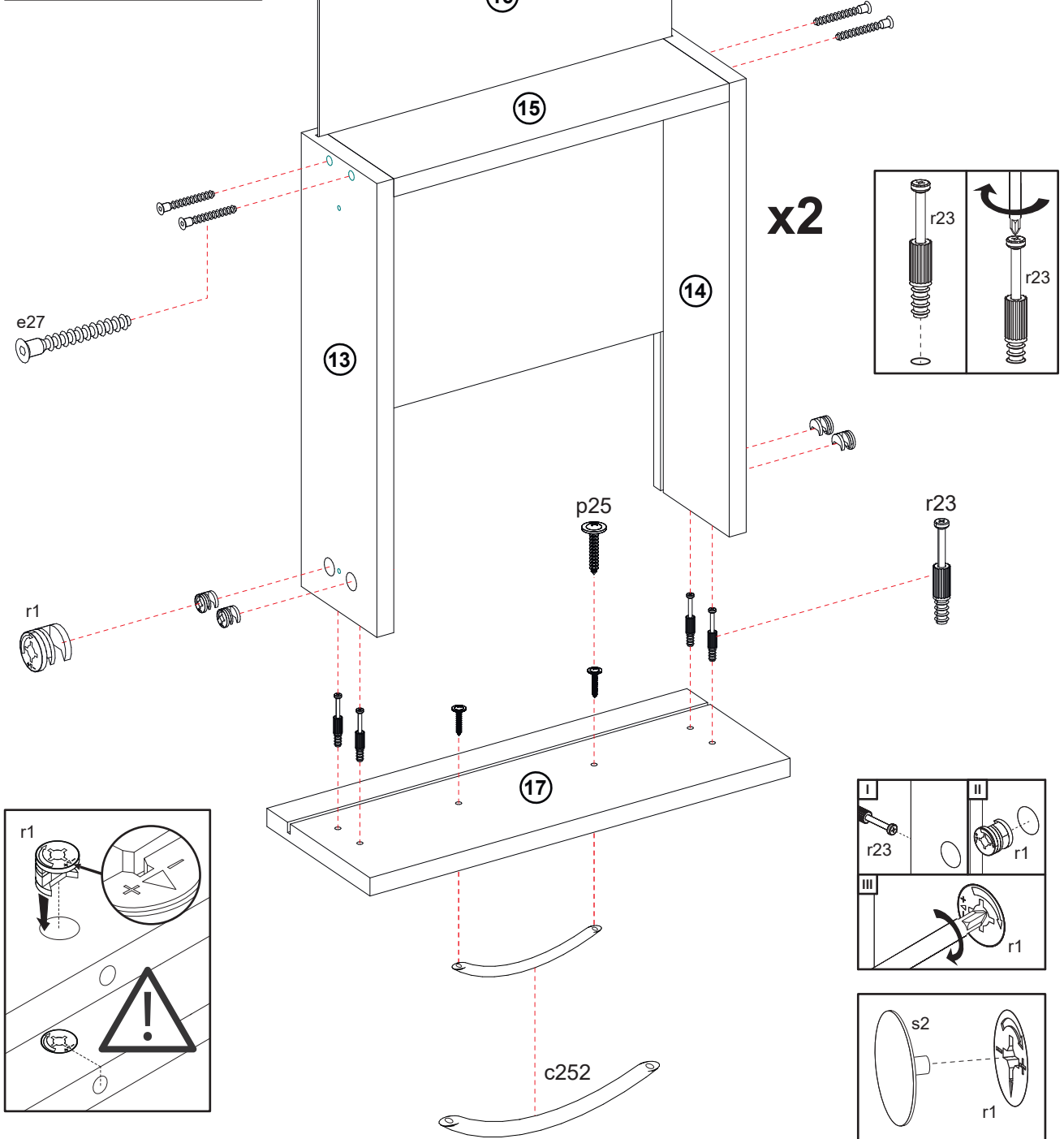
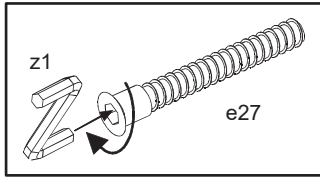


L=128mm

s2 x 8

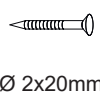


Ø 20mm

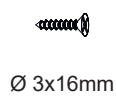


# 15

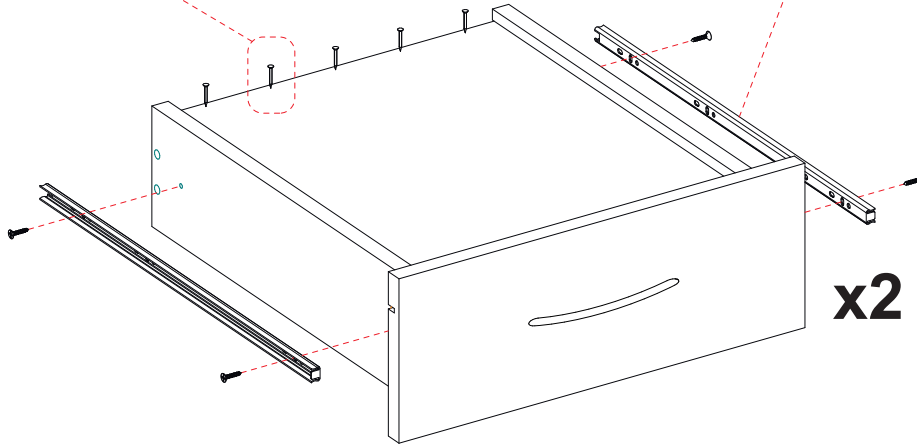
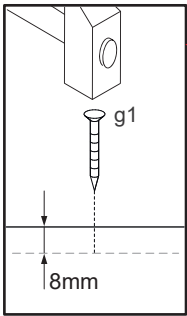
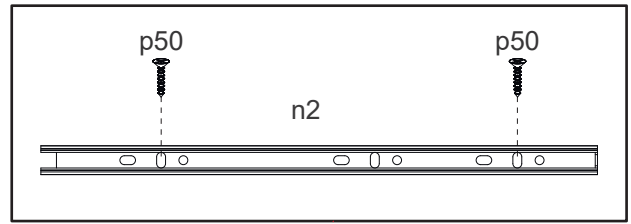
g1x 10



p50 x 8



n2 x 2



# 16

