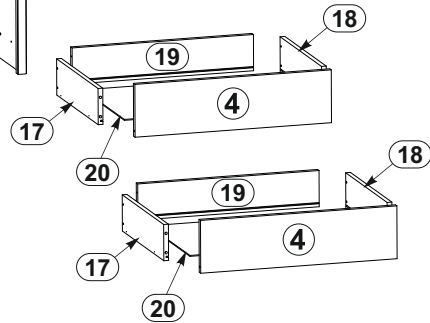
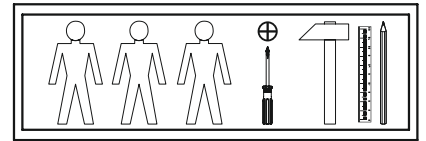
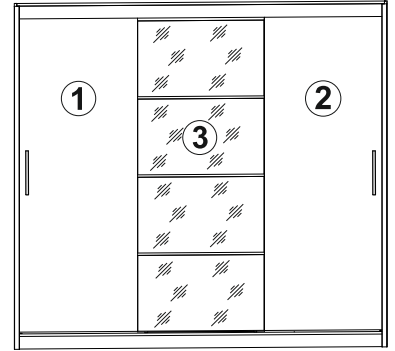
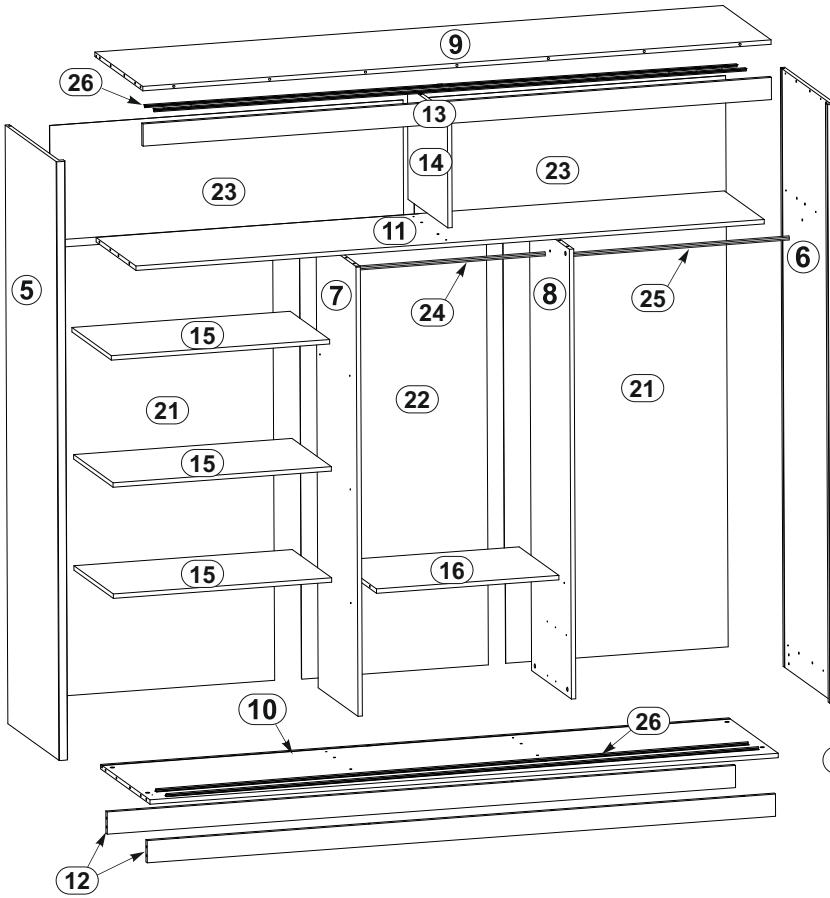


# Mario - 220

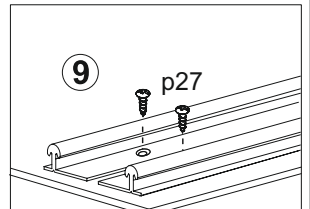
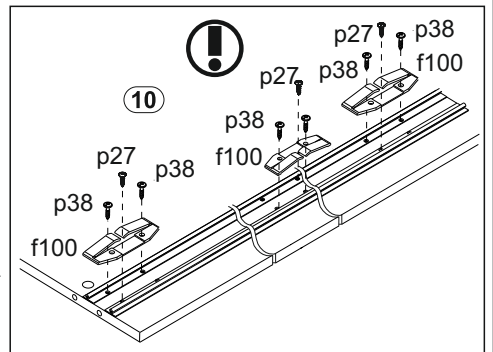
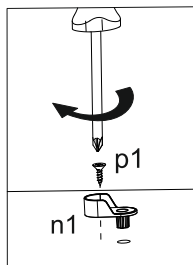
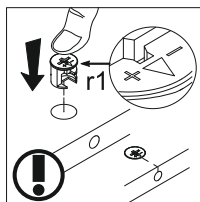
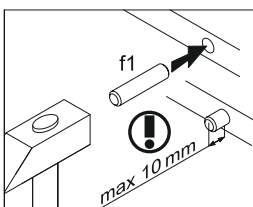
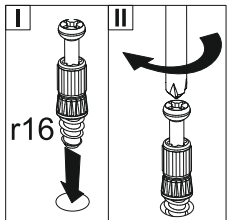
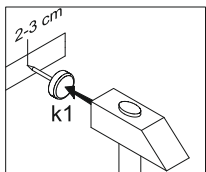
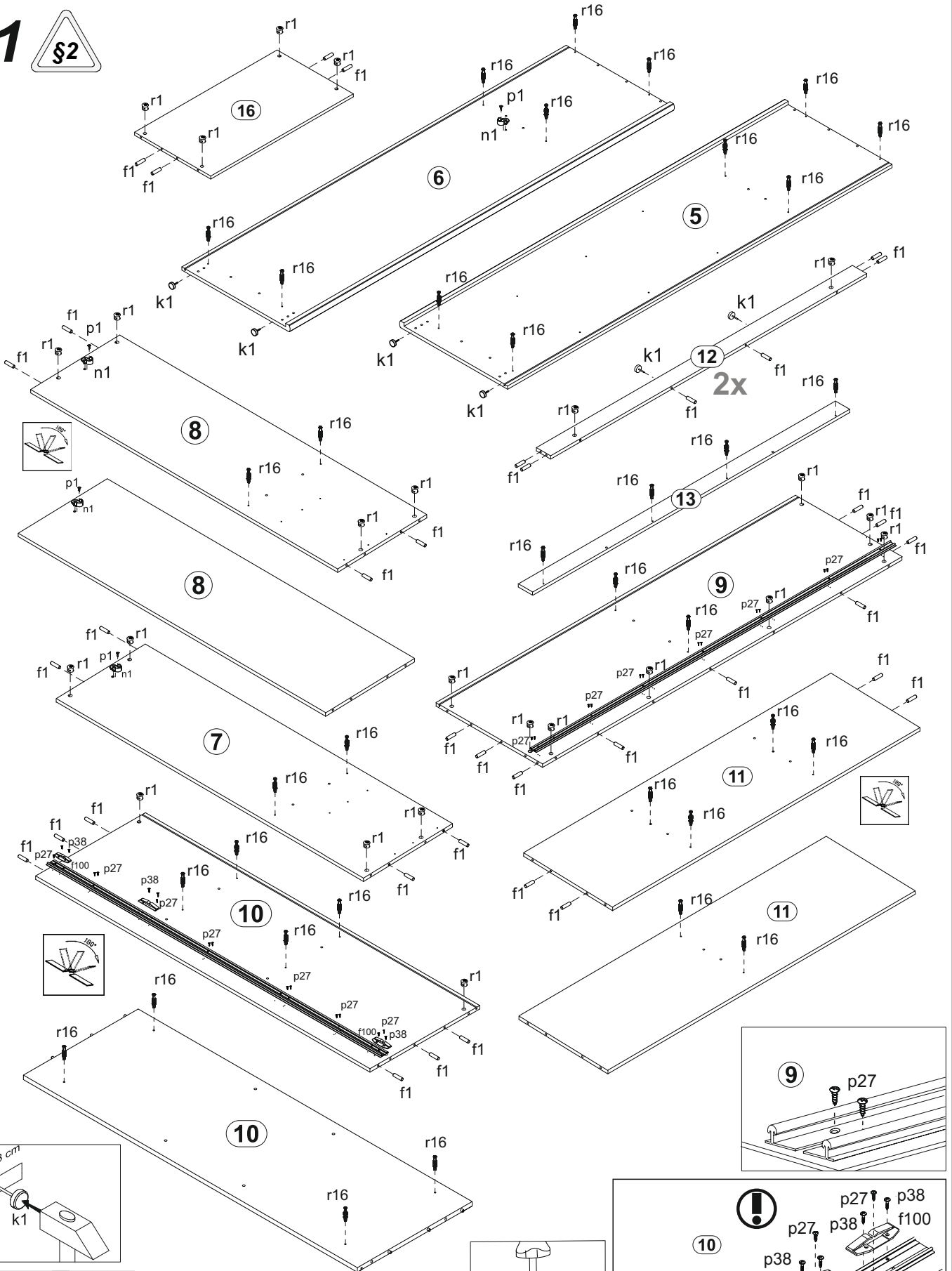


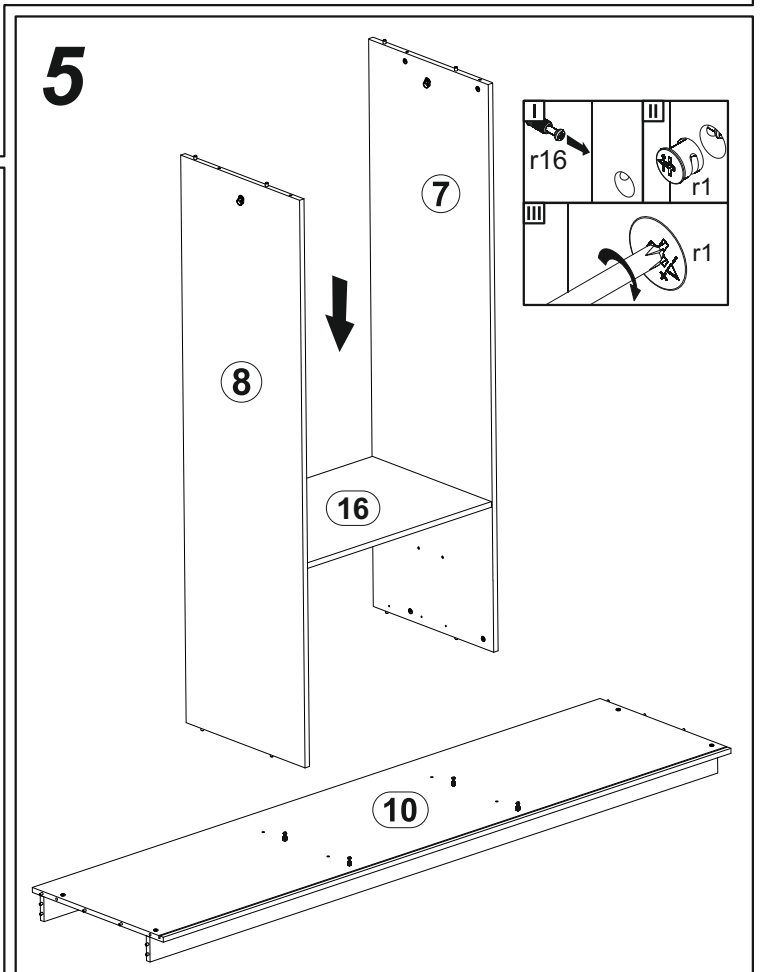
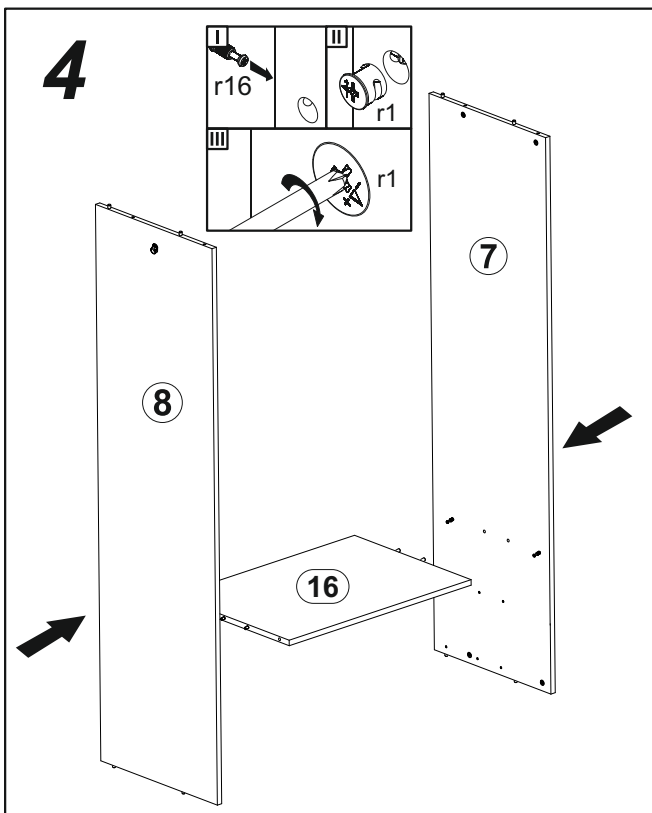
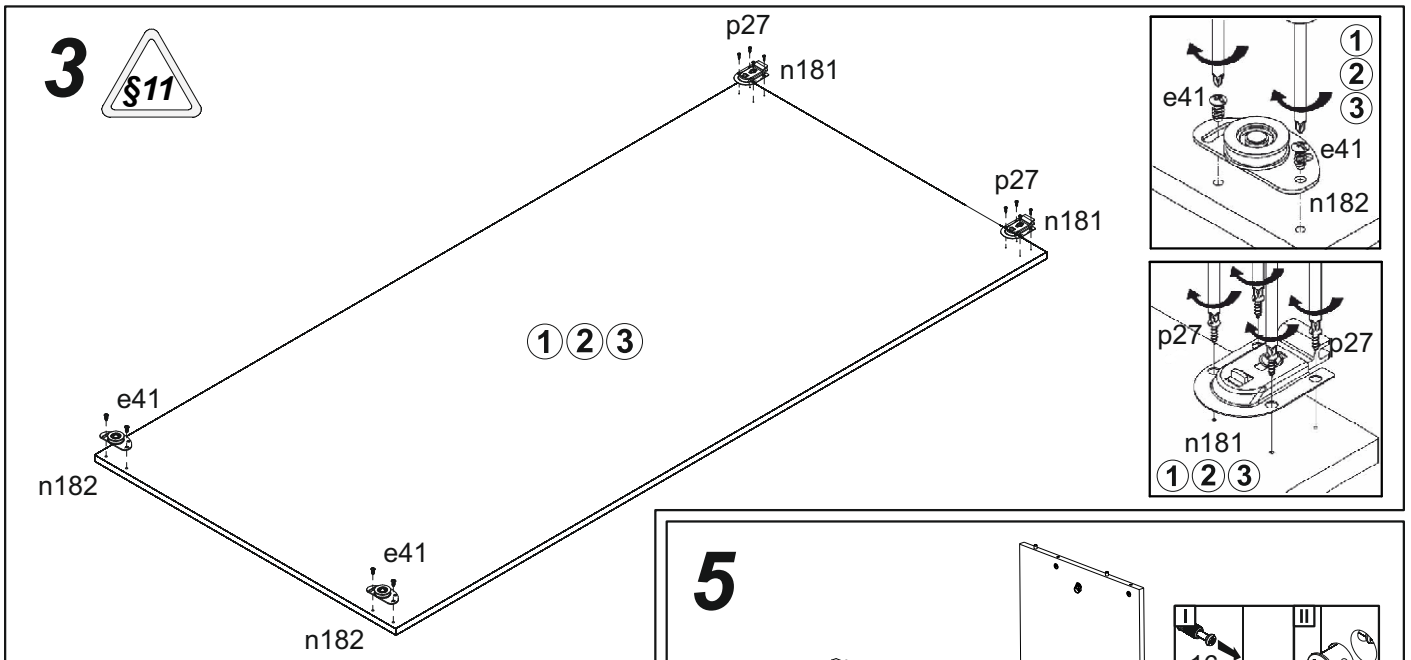
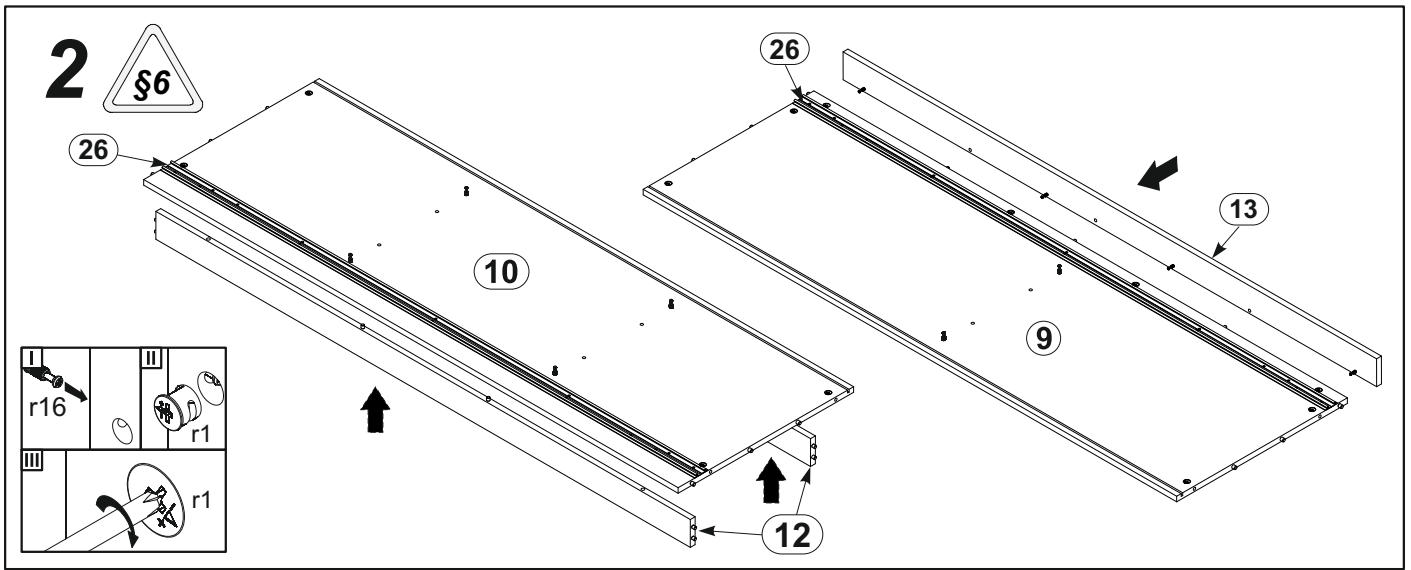
A	B	C	D	A	B	C	D		
1	KR1-025	2029	749	4/5	14	KR1-108	407	460	3/5
2	KR1-026	2029	749	4/5	15	KR1-328	756	455	3/5
3	KR1-023	2029	749	5/5	16	KR1-329	624	460	3/5
4	KR1-027	618	175	3/5	17	KR1-503	400	120	3/5
5	KR1-110	2155	608	1/5	18	KR1-504	400	120	3/5
6	KR1-111	2155	608	1/5	19	KR1-516	567	120	3/5
7	KR1-107	1619	460	1/5	20	KR1-910	399	582	3/5
8	KR1-109	1619	460	1/5	21	KR1-908	1634	770	5/5
9	KR1-326	2168	566	2/5	22	KR1-909	1634	640	5/5
10	KR1-325	2168	583	2/5	23	KR1-917	422	1091	5/5
11	KR1-327	2168	460	2/5	24	DR-619	619		1/5
12	KR1-411	2168	80	2/5	25	DR-751	751		1/5
13	KR1-412	2168	80	2/5	26		2167		2/5



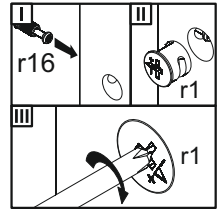
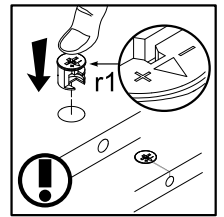
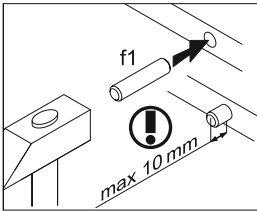
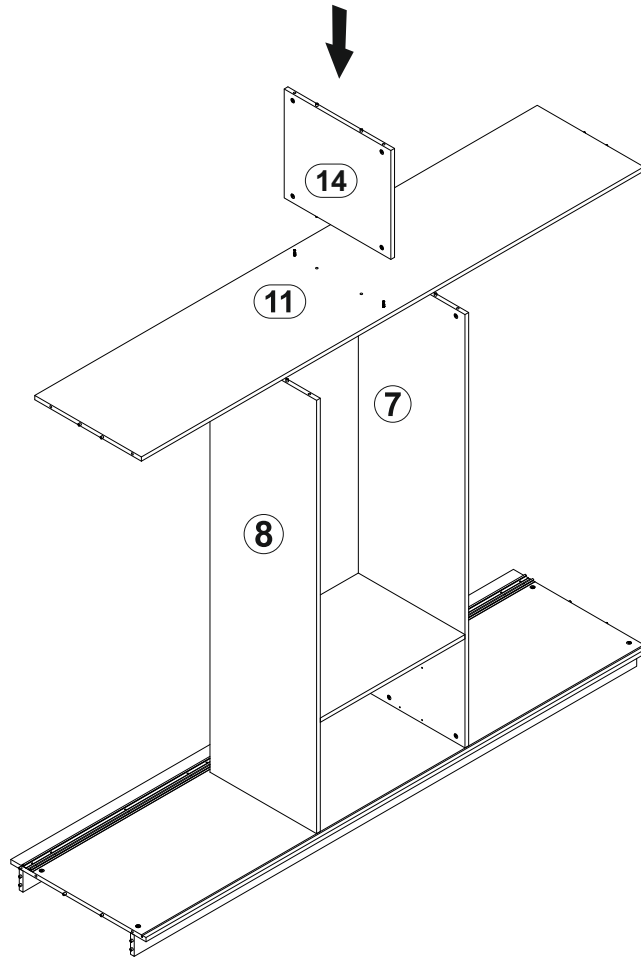
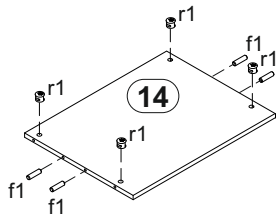
47x φ8x30 mm <b>f1</b>	44x <b>r16</b>	44x φ15x12mm #16 <b>r1</b>	12x φ5x17 mm <b>d1</b>	8x <b>k1</b>	4x φ3,5x13 mm <b>p1</b>	3x <b>Stoper f100</b>	4x φ3,5x16 mm <b>p25</b>
6x <b>l1</b>	4x <b>n1</b>	1x <b>n2611</b>	36x φ16 <b>s2</b>	7x φ3,5x16 mm <b>p38</b>	24x <b>l2</b>	12x φ6x13 mm <b>e3</b>	49x φ3,5x13 mm <b>p27</b>
6x <b>n181</b>	6x <b>n182</b>	12x φ4x13 mm <b>p28</b>	12x φ5x12 mm <b>e41</b>	6x φ3,5x25 mm <b>p42</b>	8x φ5x50 mm <b>e32</b>	8x φ3x12 mm <b>p54</b>	2x 276 mm <b>c80611</b>
2x 400 mm <b>w5<sup>CL</sup></b>	2x 400 mm <b>w5<sup>CR</sup></b>	2x 400 mm <b>w5<sup>DL</sup></b>	2x 400 mm <b>w5<sup>DR</sup></b>	2x 383 mm <b>t14</b>	3x silikon φ8x1,8mm <b>o21</b>	22x 20x13x3,51 <b>n108</b>	22x φ2,9x16 mm <b>p55</b>

1

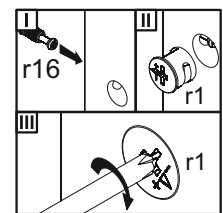
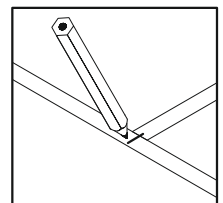
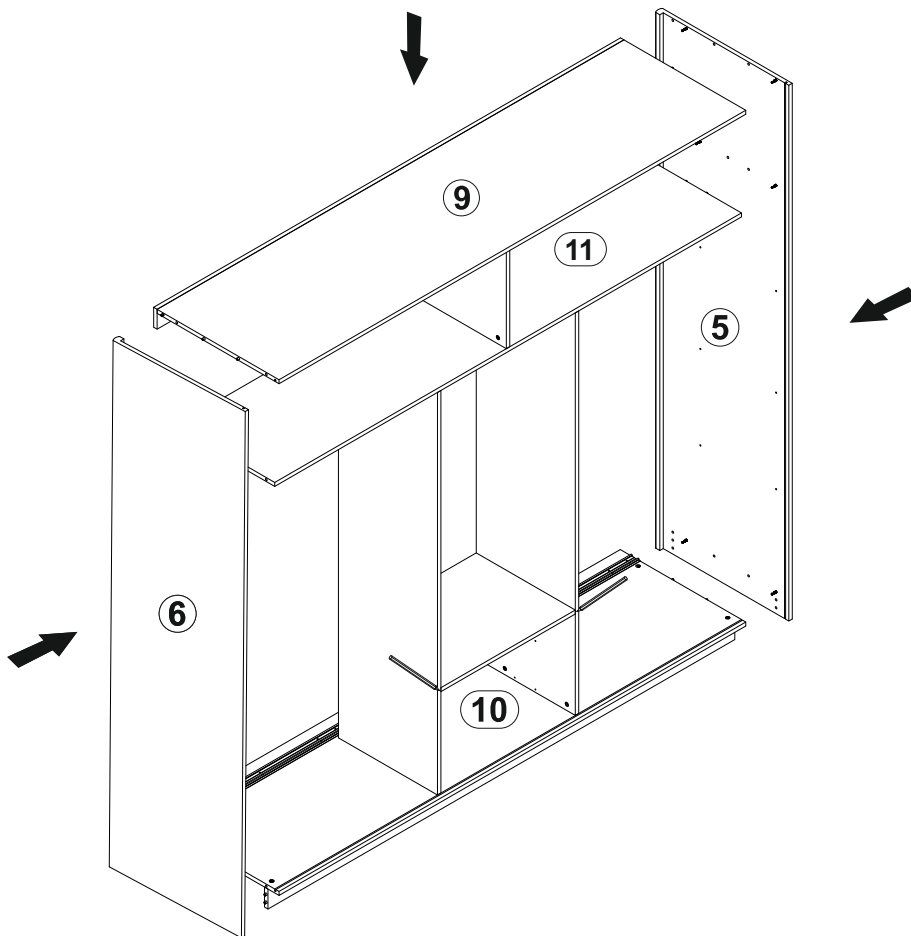




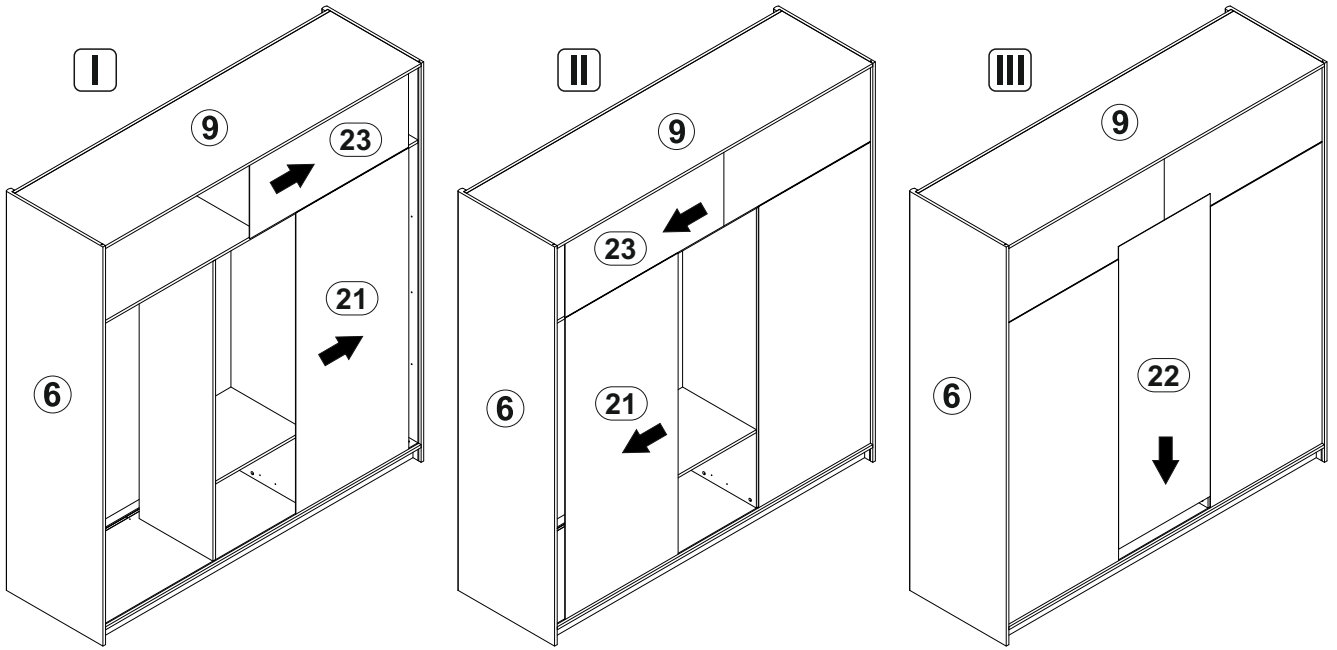
# 6



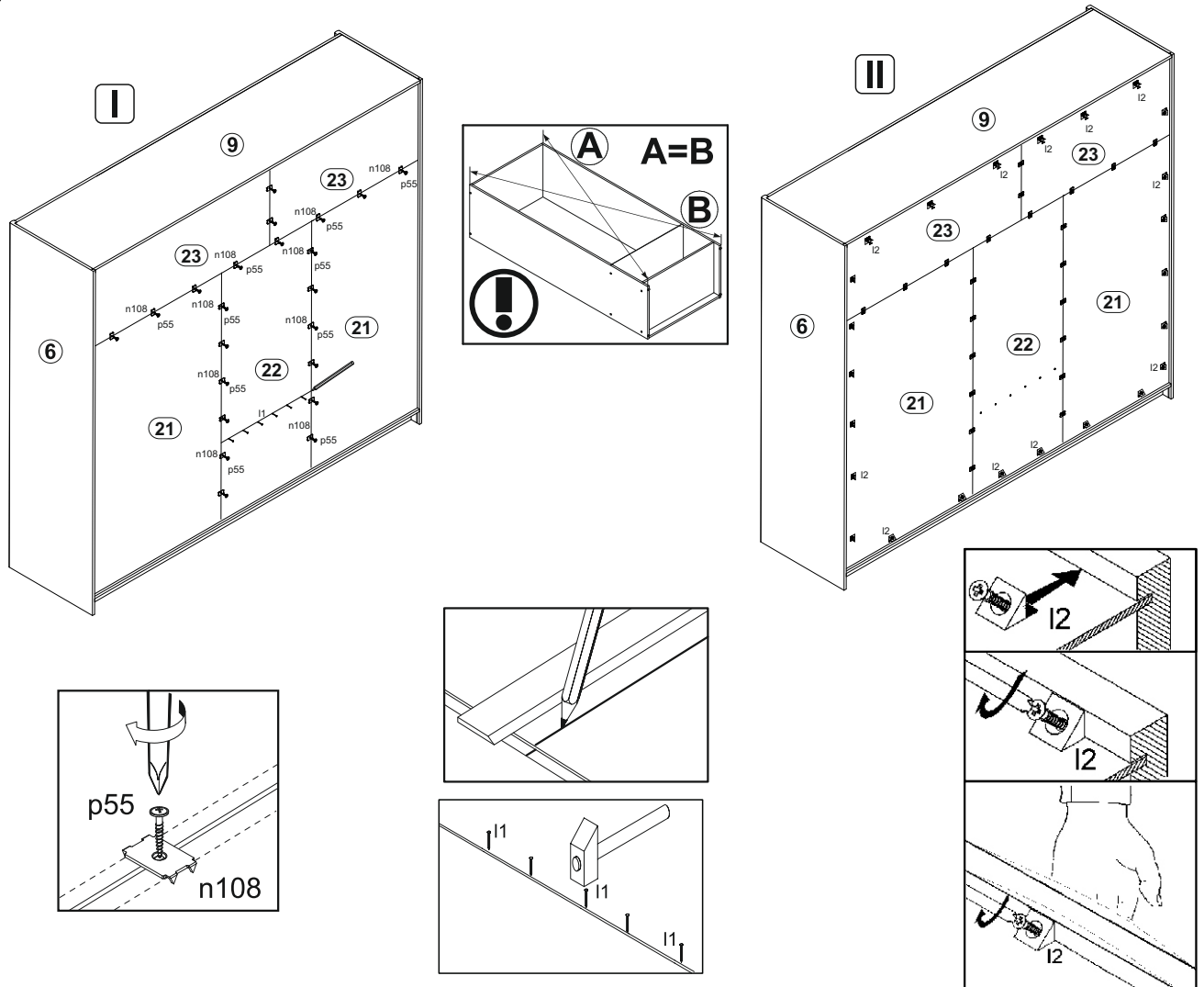
# 7



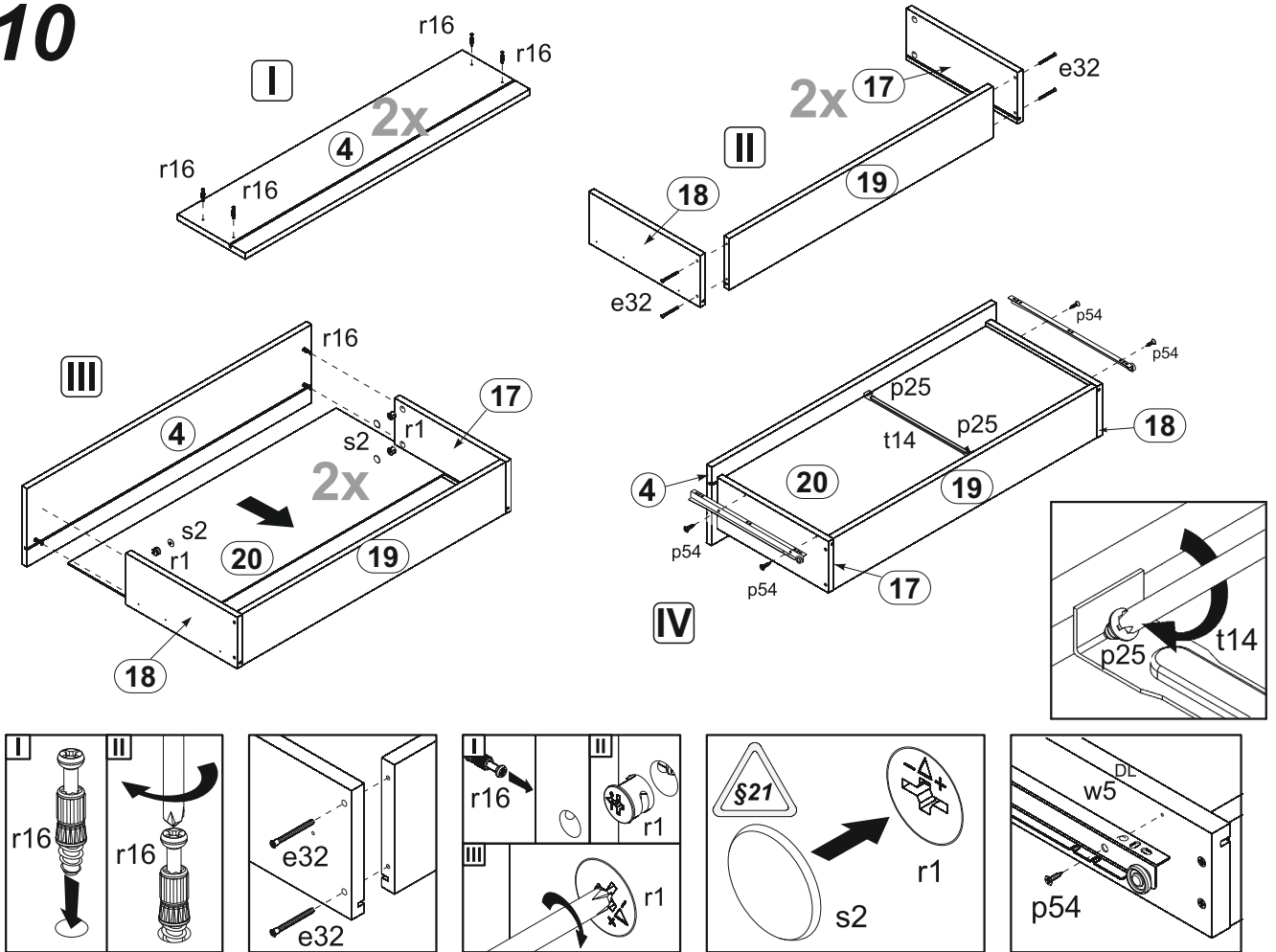
# 8



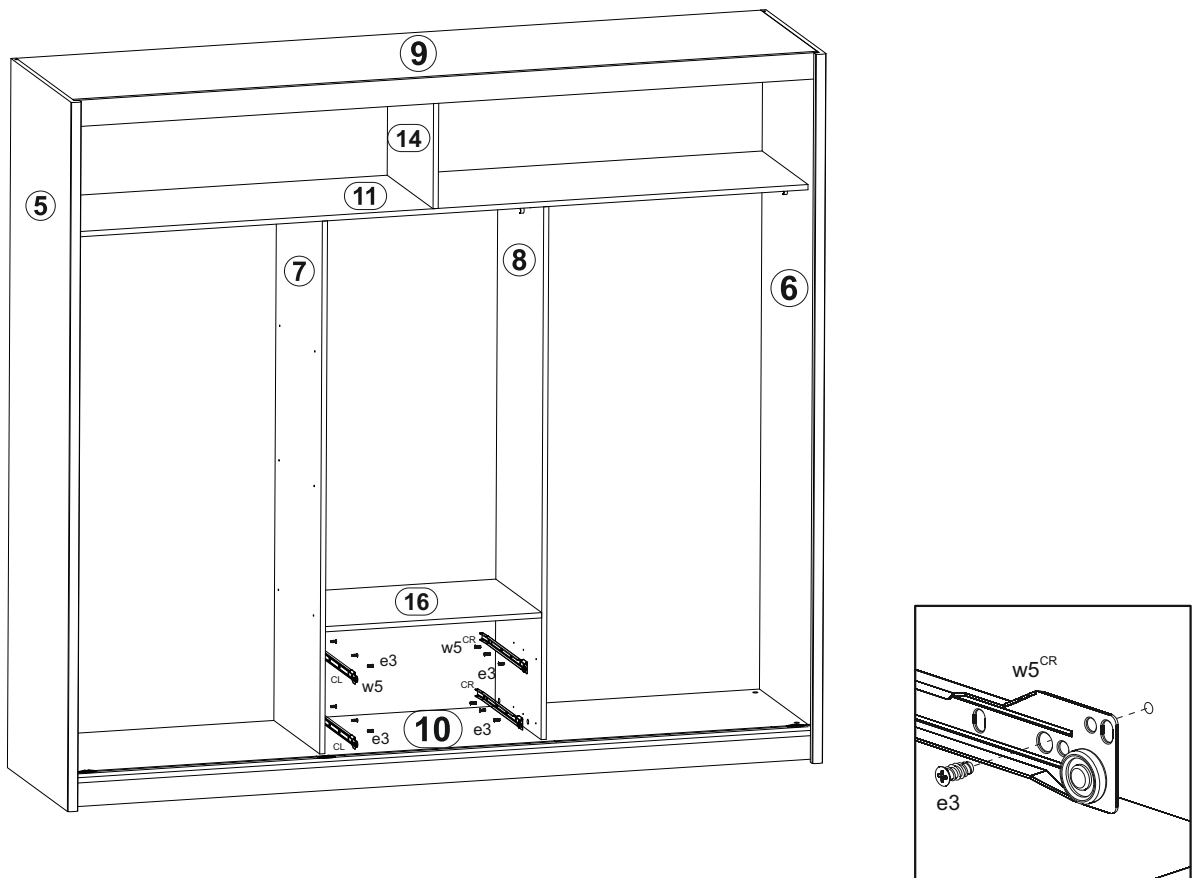
# 9



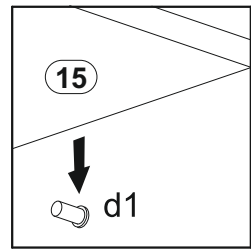
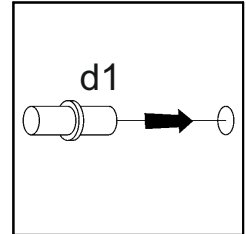
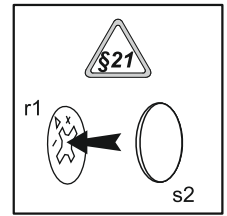
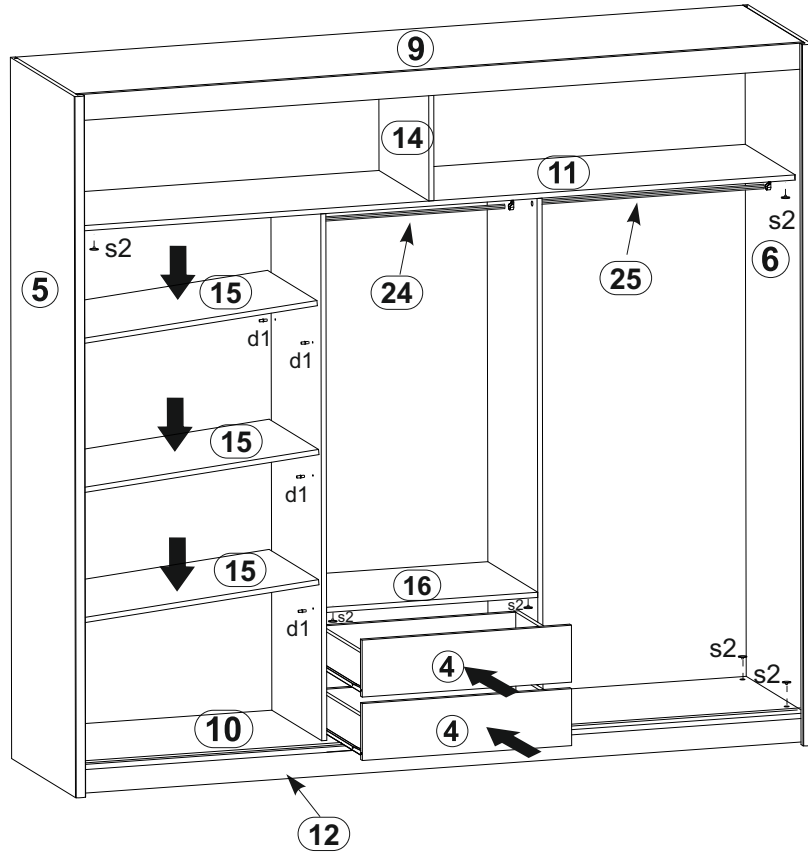
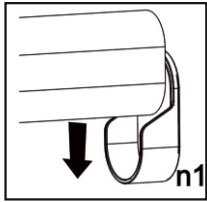
# 10



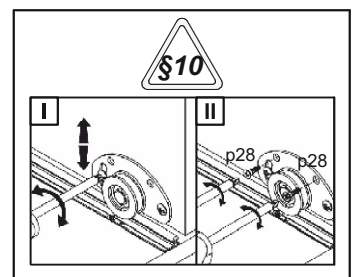
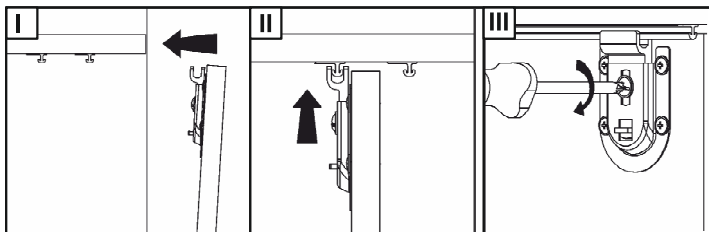
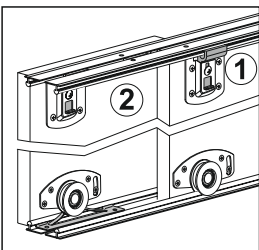
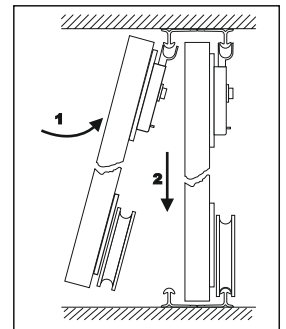
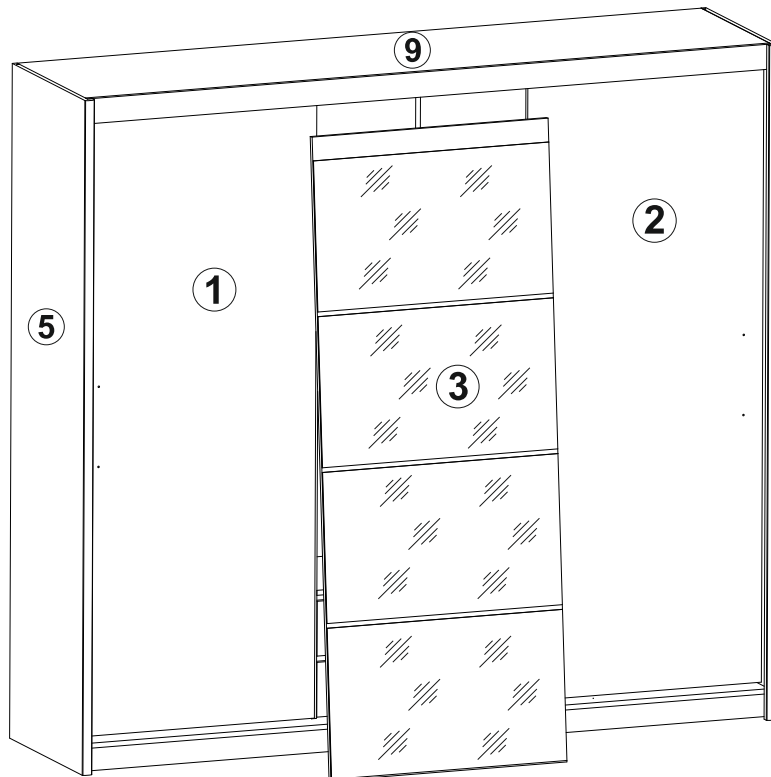
# 11



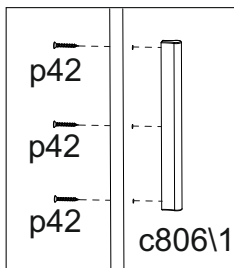
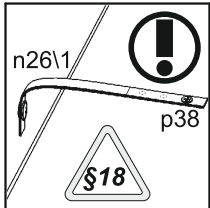
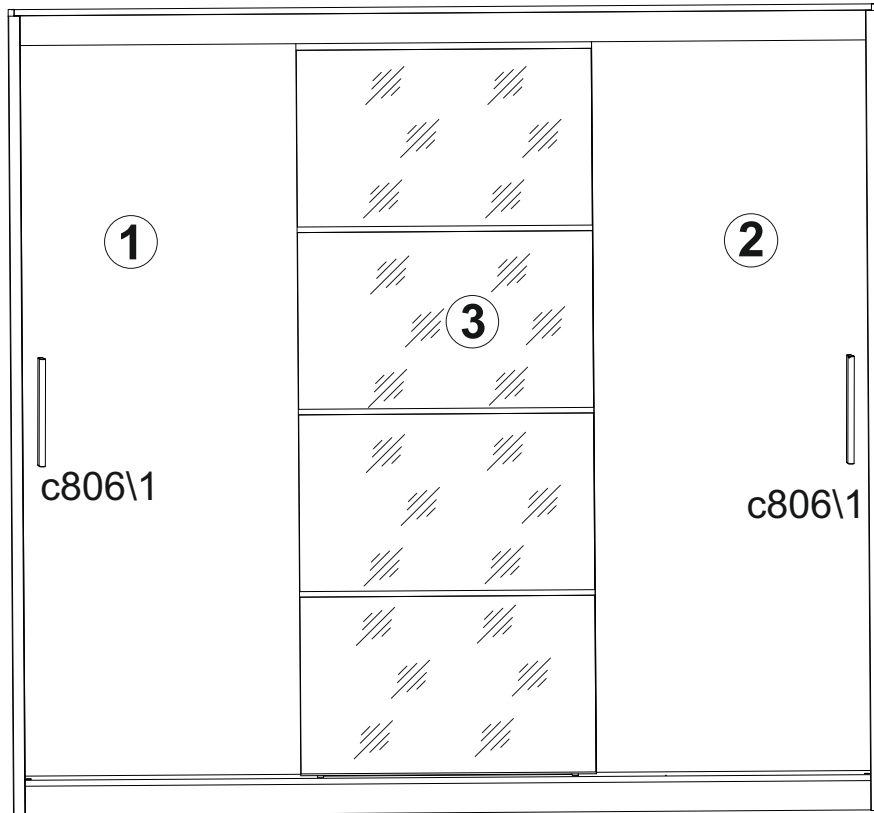
# 12



# 13



# 14



# 15

