
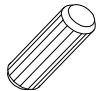
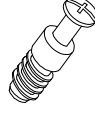

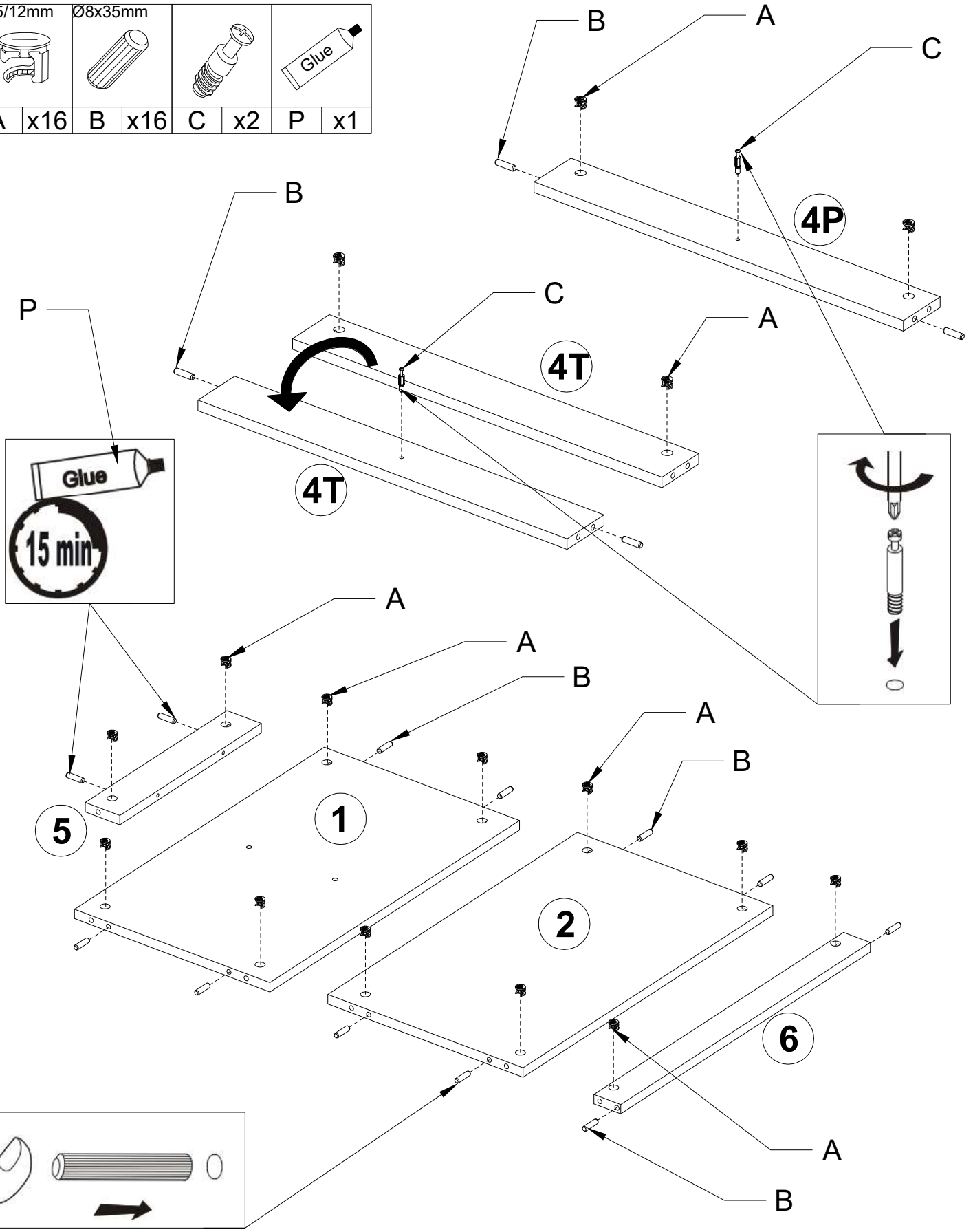
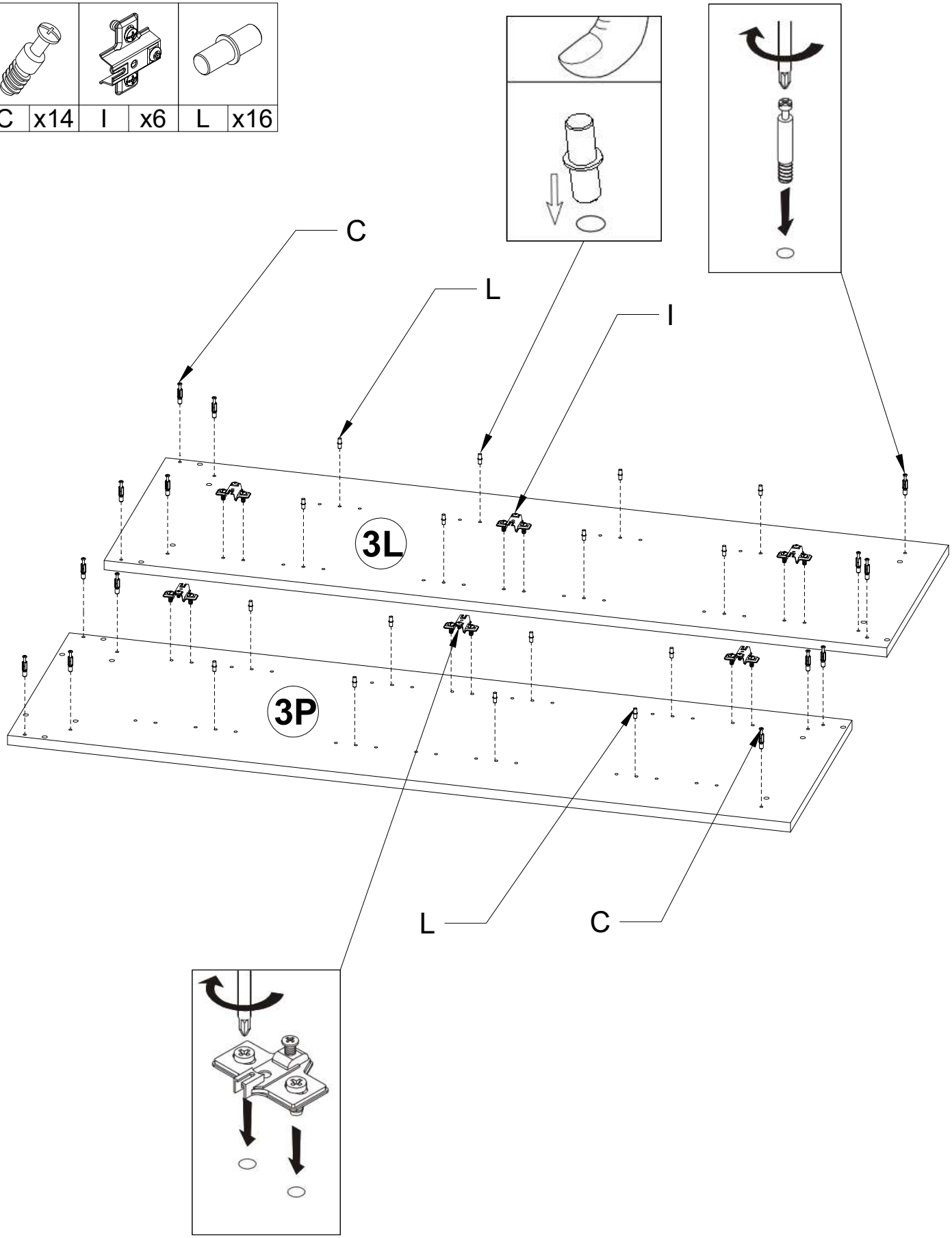
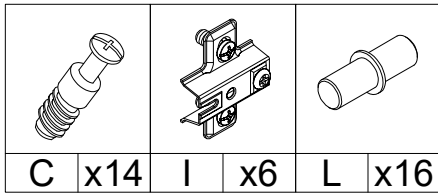
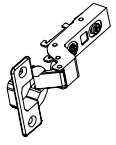

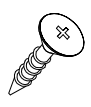
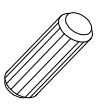


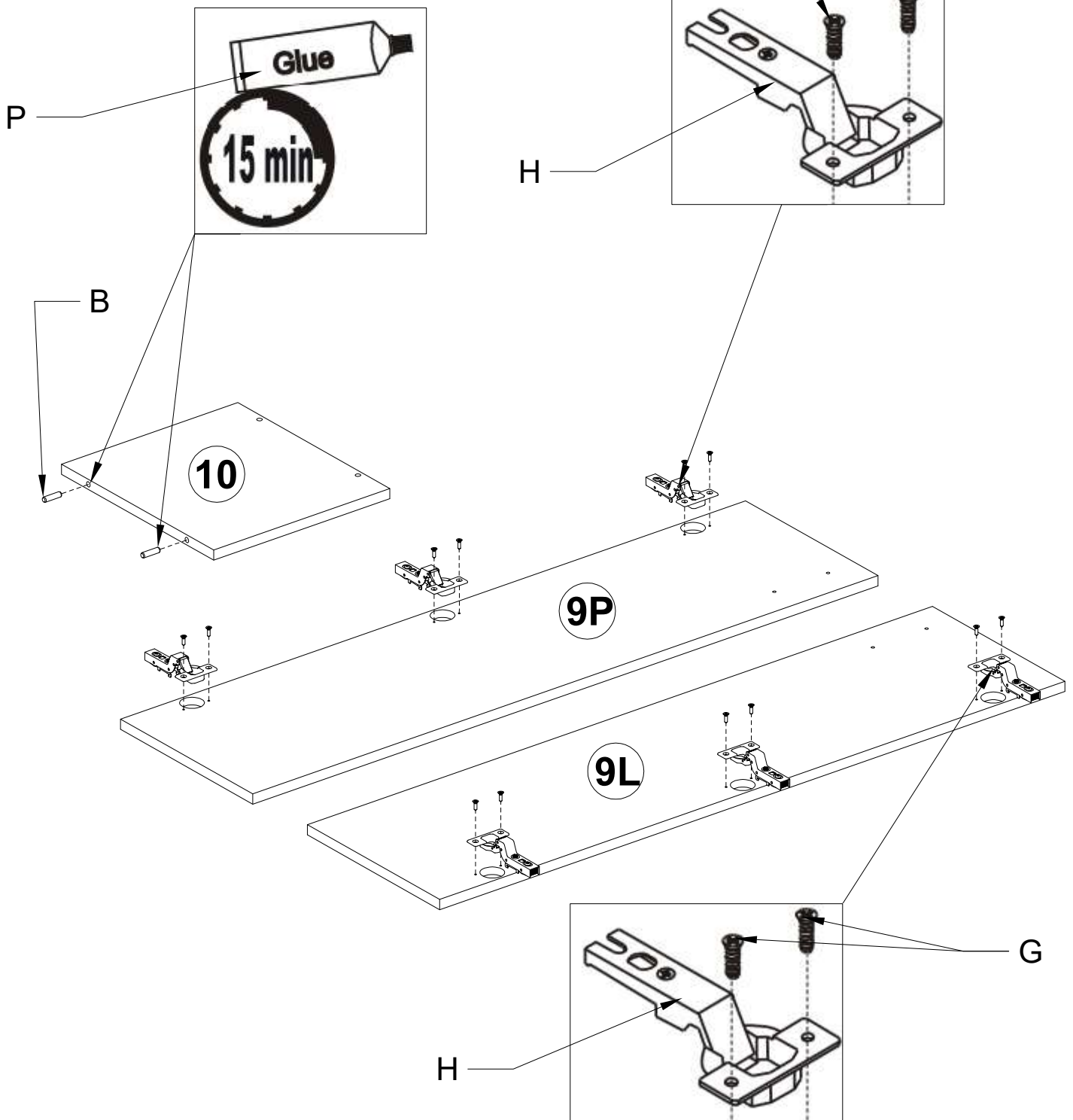
1	610x364x16	x1
2	610x364x16	x1
3L, 3P	380x1250x16	x2
4P, 4T	610x80x16	x2
5	346x64x16	x1
6	610x50x16	x1
7	1120x317,5x3	x1
8	1120x317,5x3	x1
9P, 9T	1118x301x16	x2
10	346x315x16	x1
11	609x360x16	x4


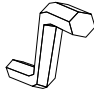

Ø15/12mm	Ø8x35mm		
			
A x16	B x16	C x2	P x1

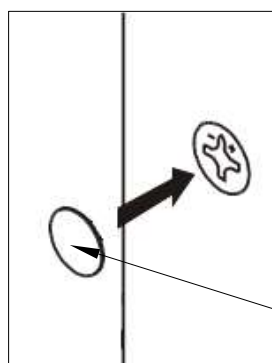
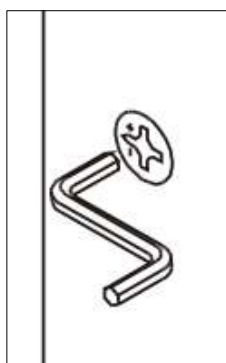
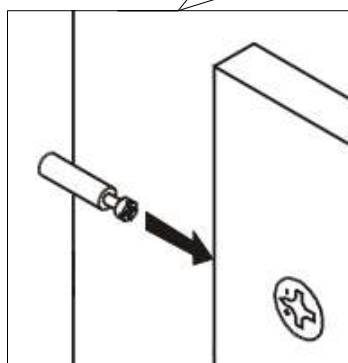
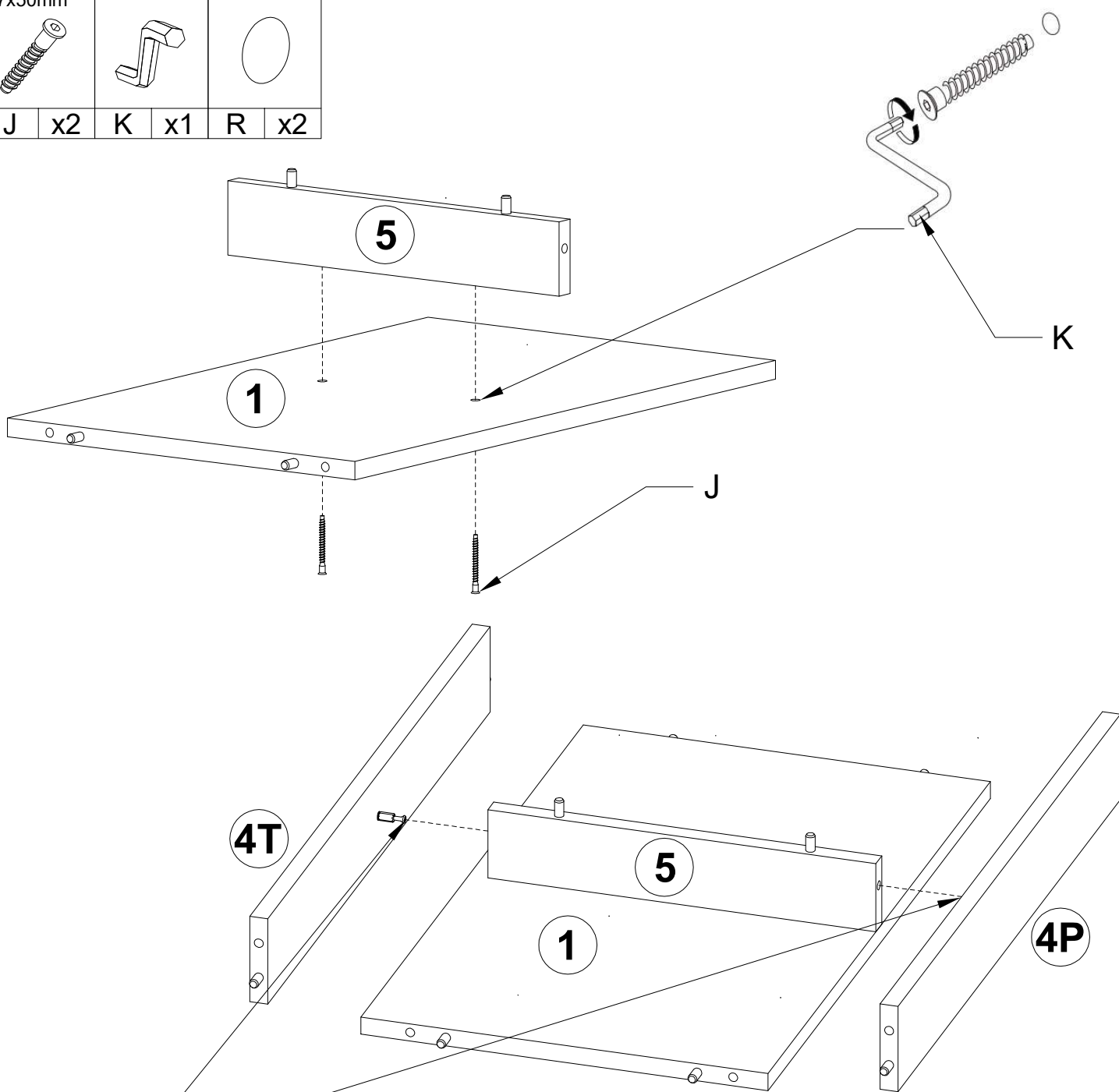




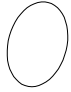
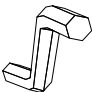
			
H x6	P x1	G x12	B x2

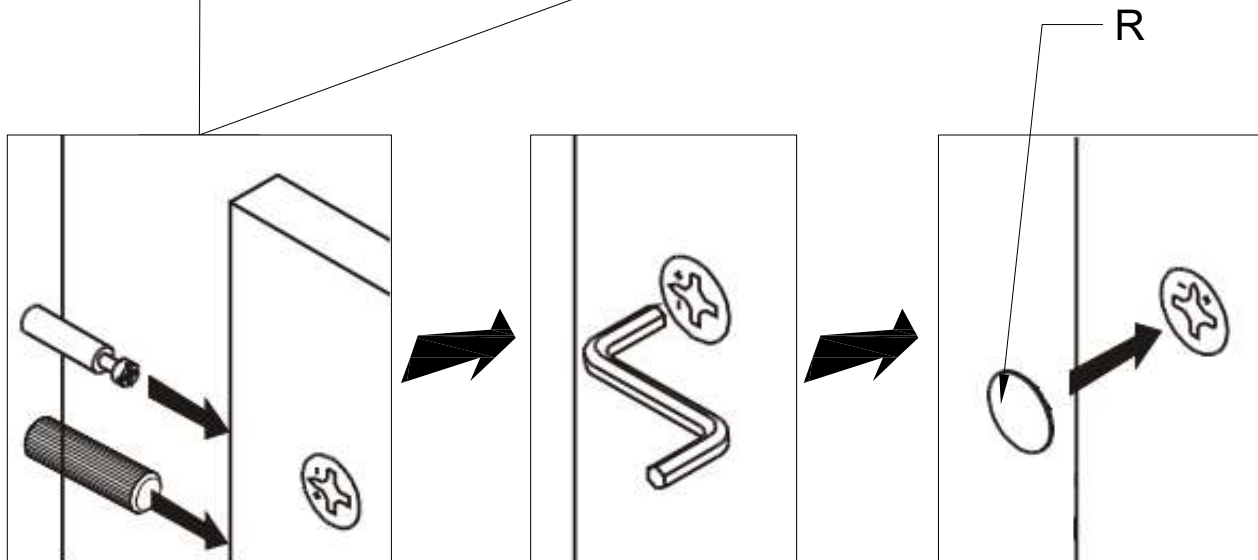
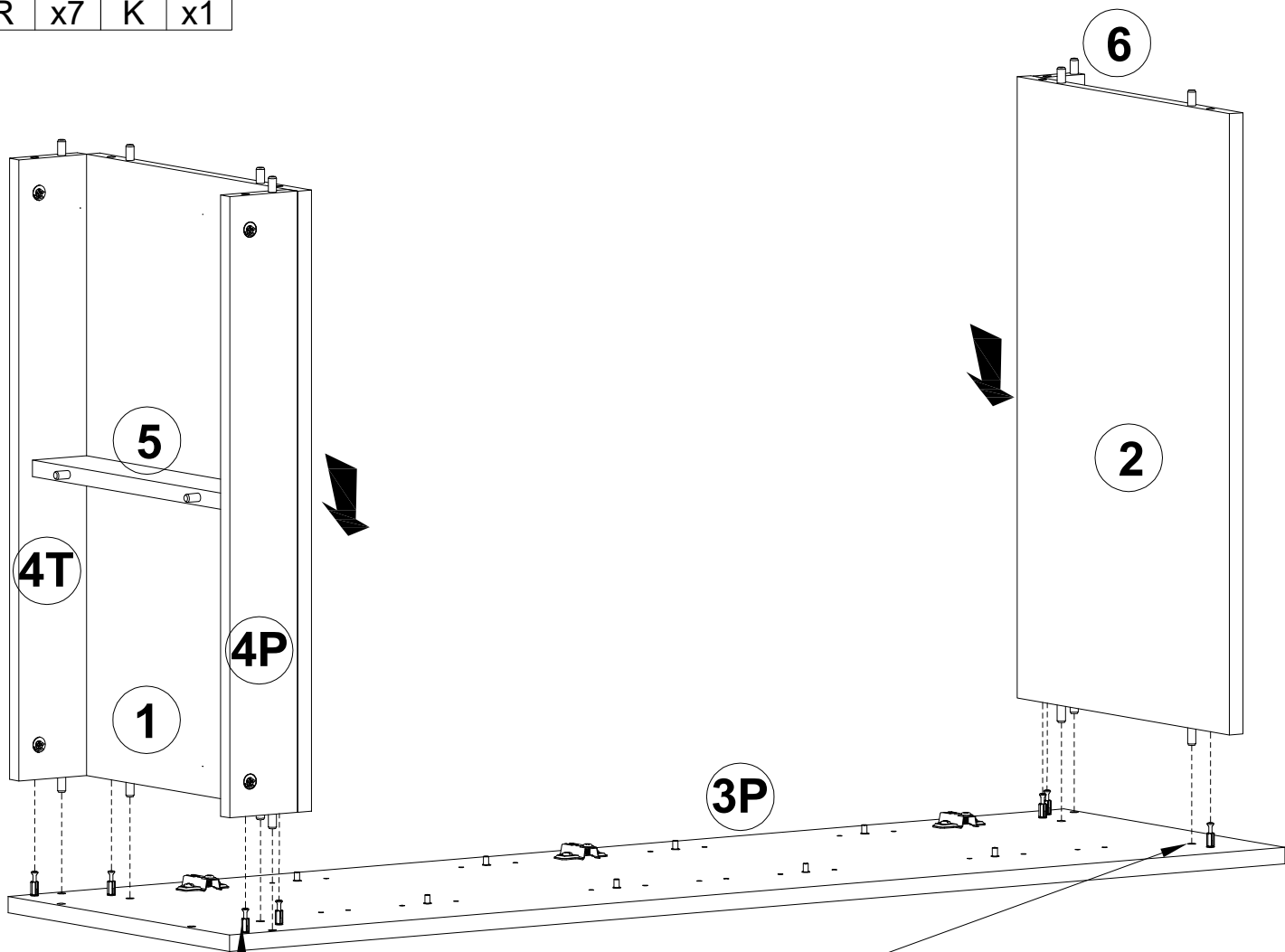


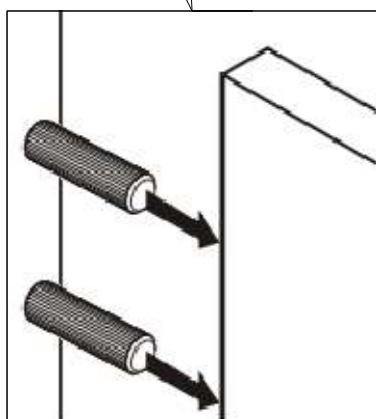
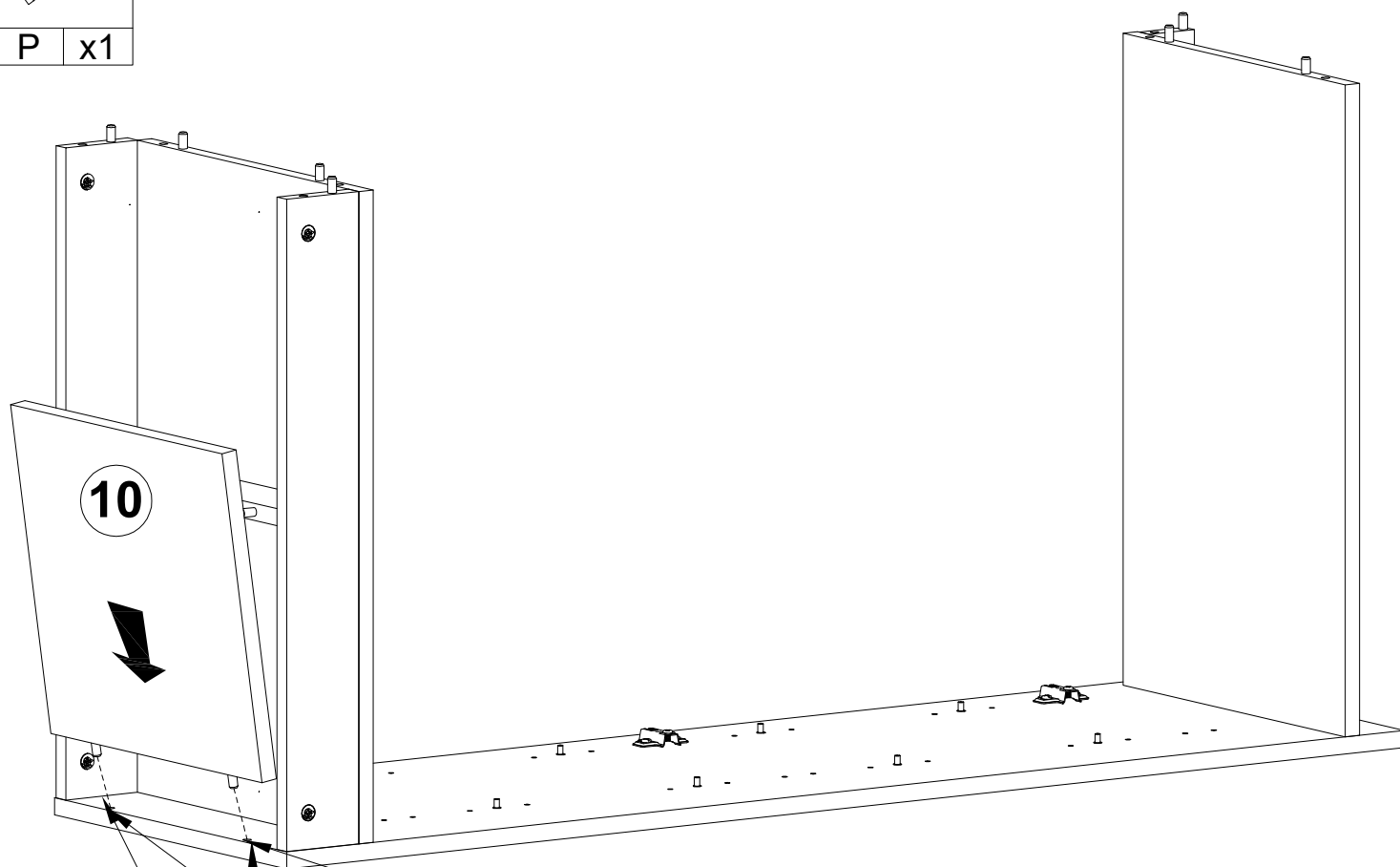
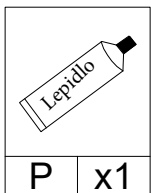
Ø7x50mm					
					
J	x2	K	x1	R	x2



R

	
R x7	K x1





P

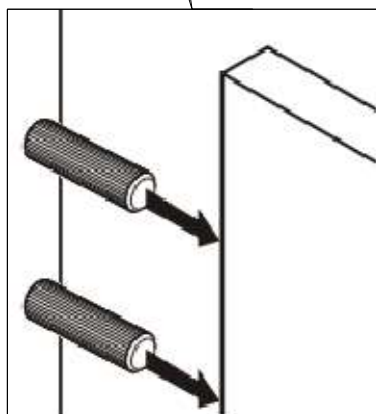
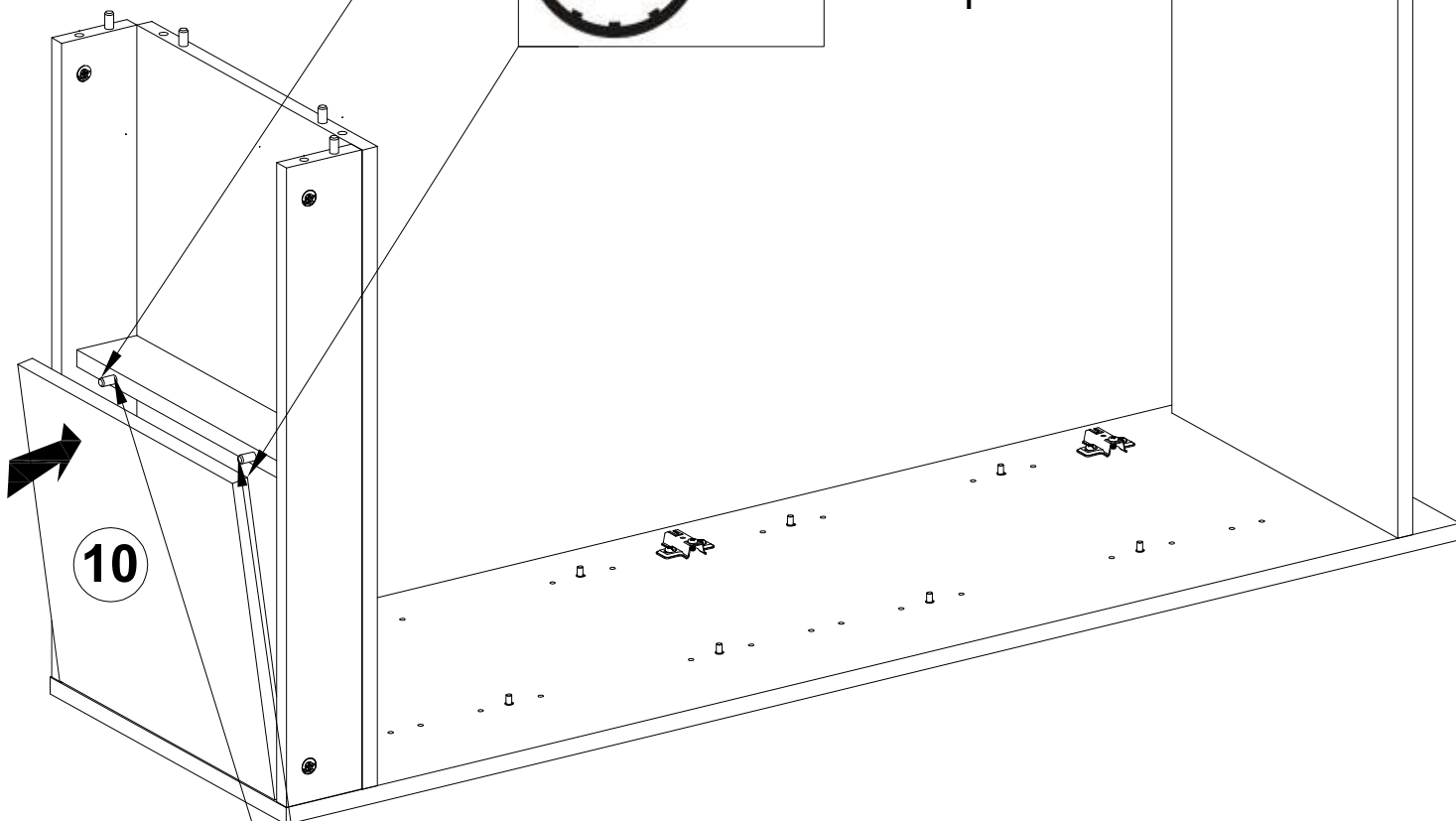


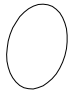
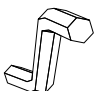


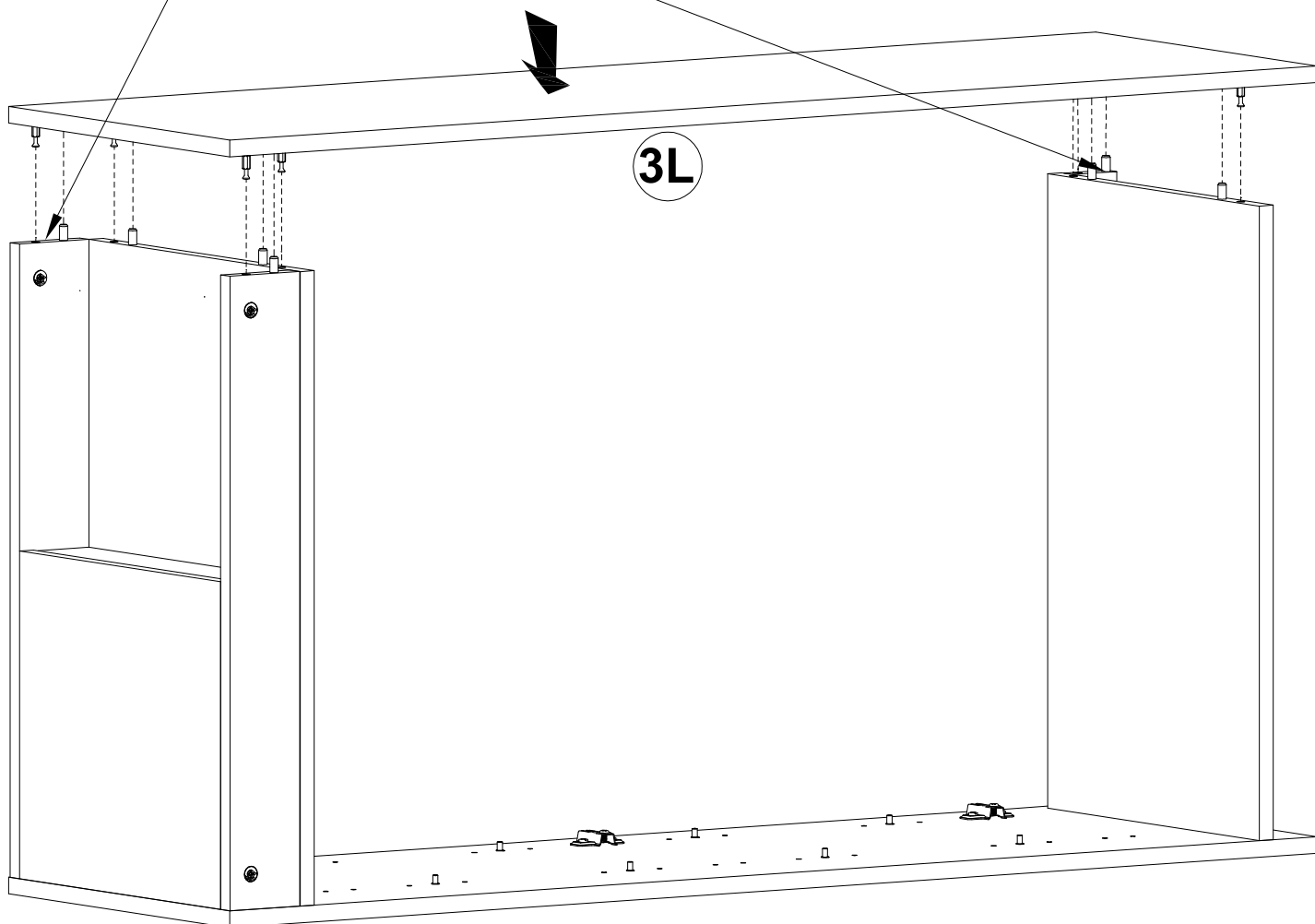
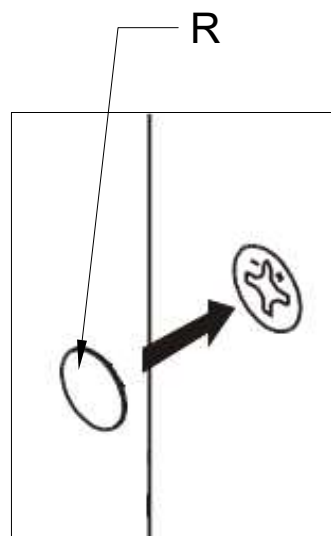
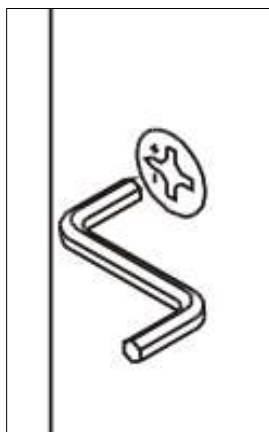
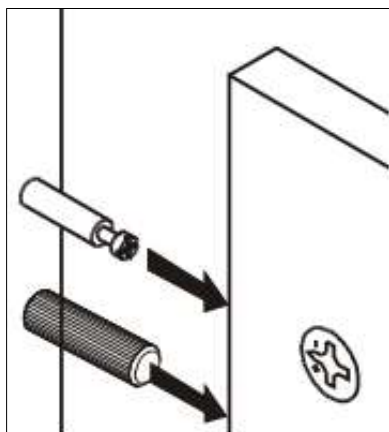
P x1

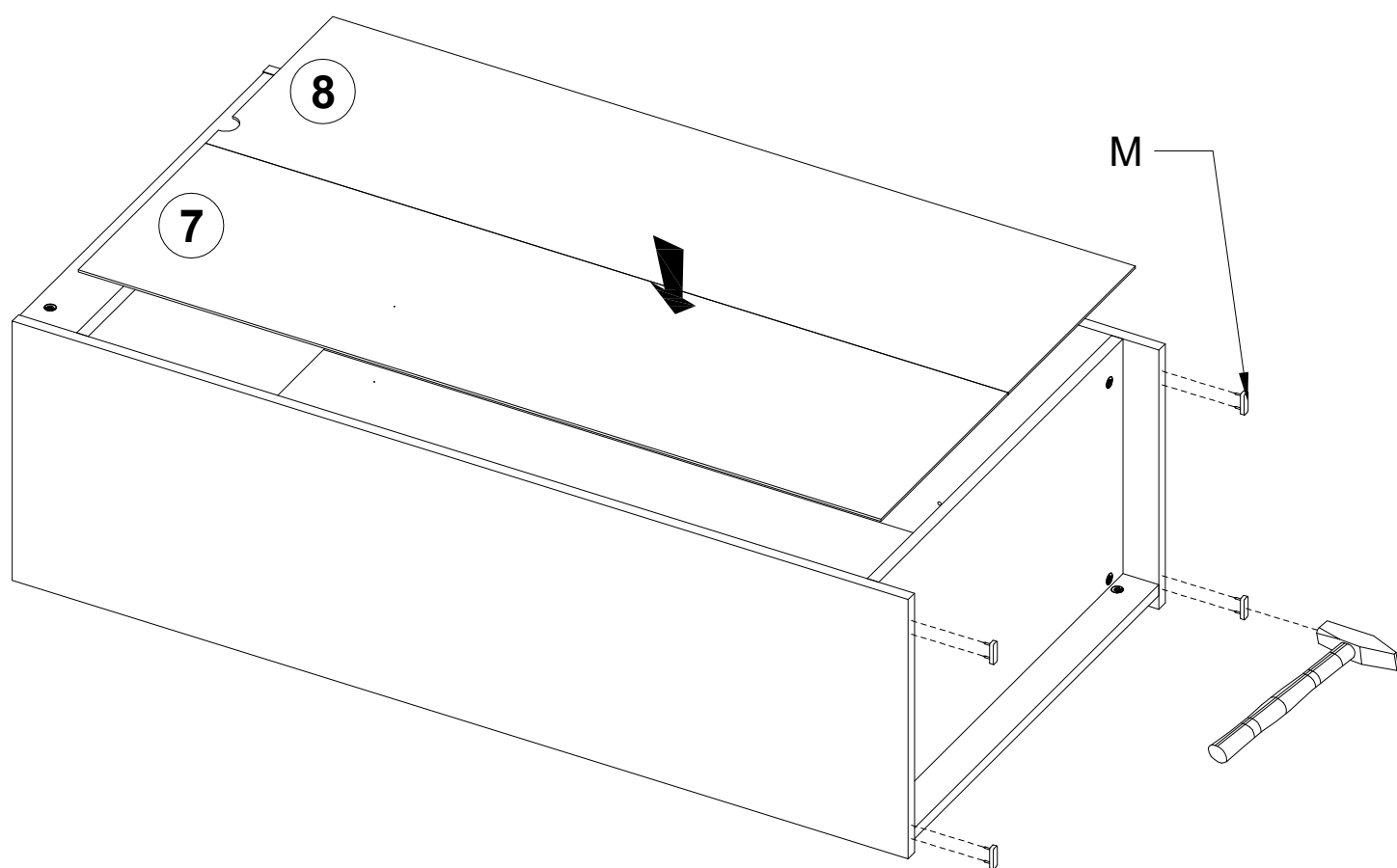
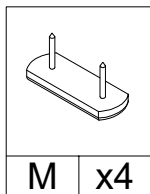


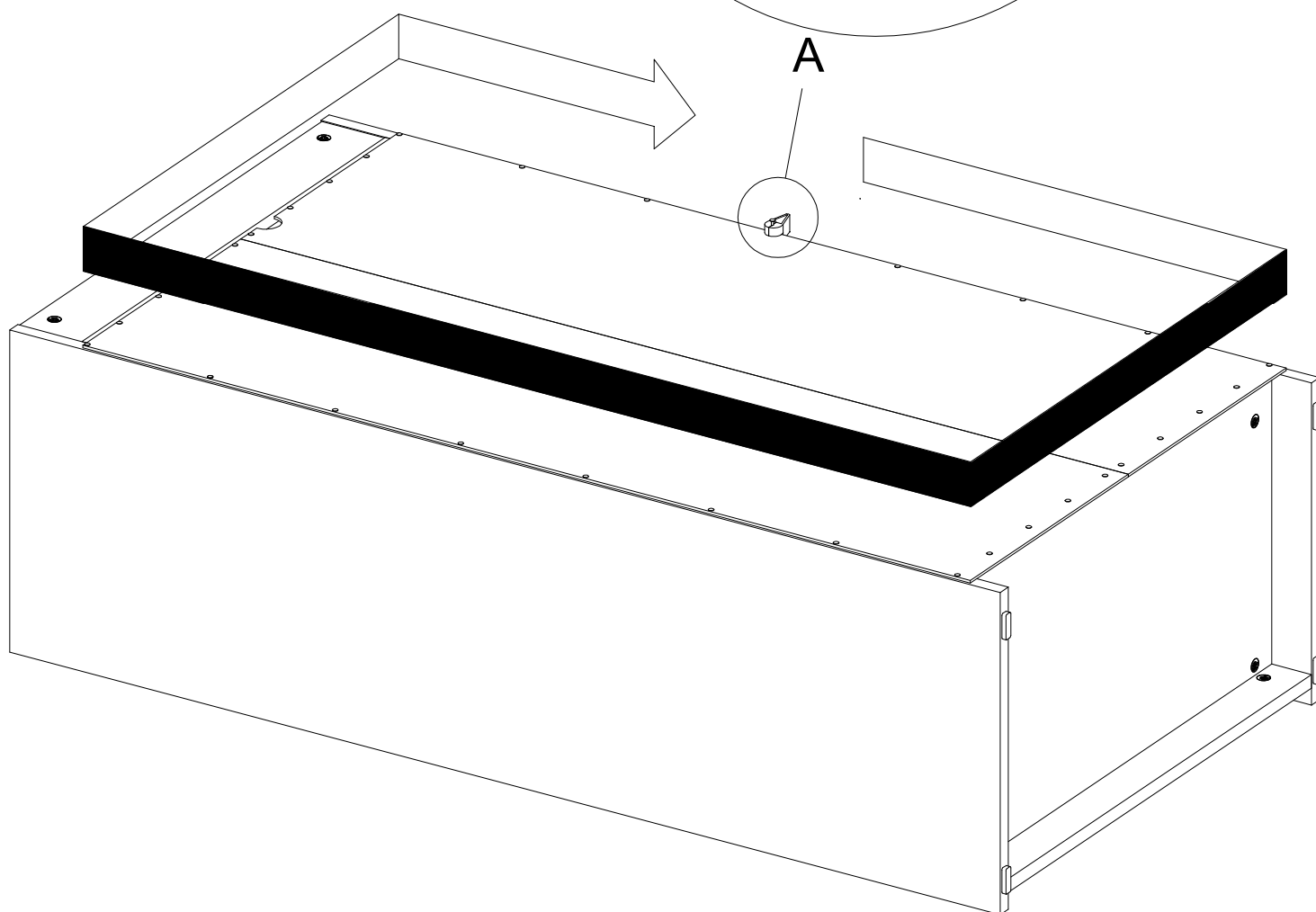
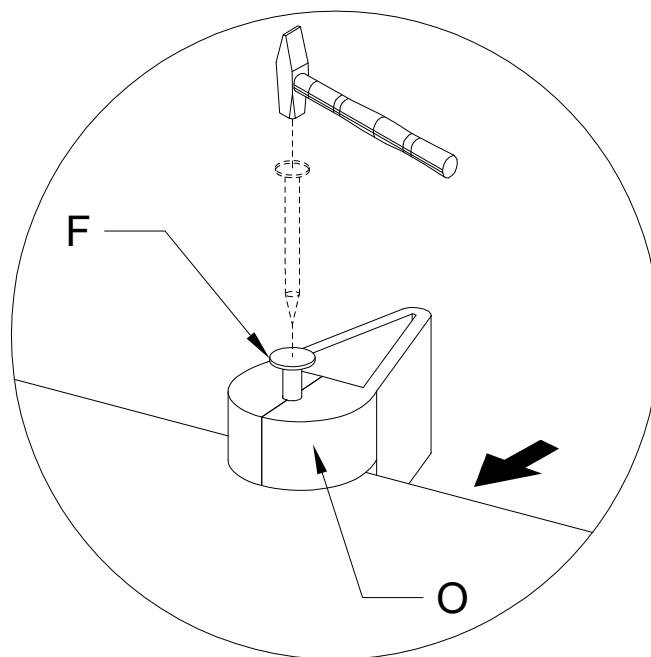
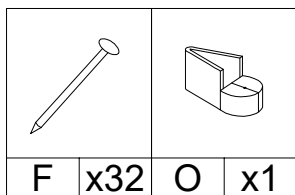
P

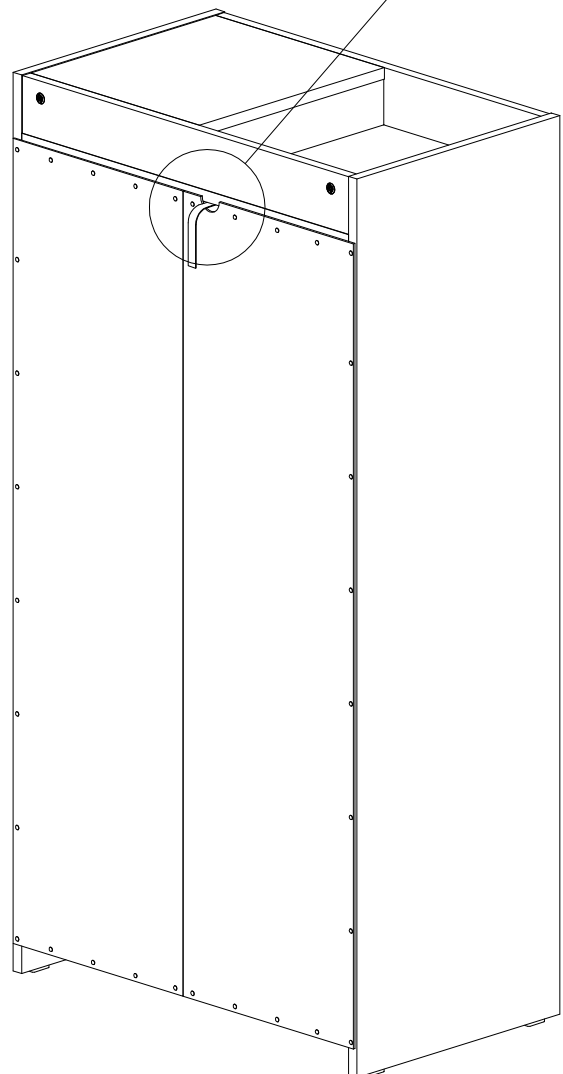
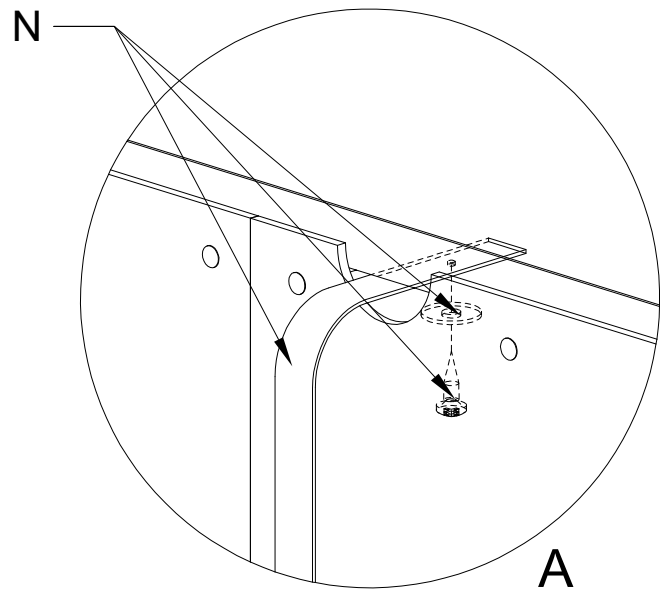
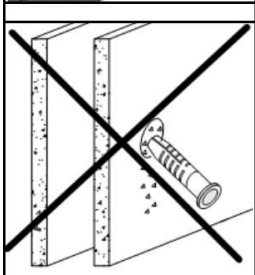
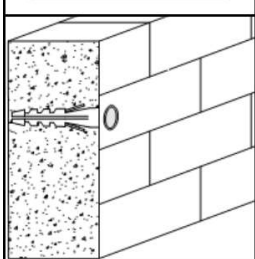
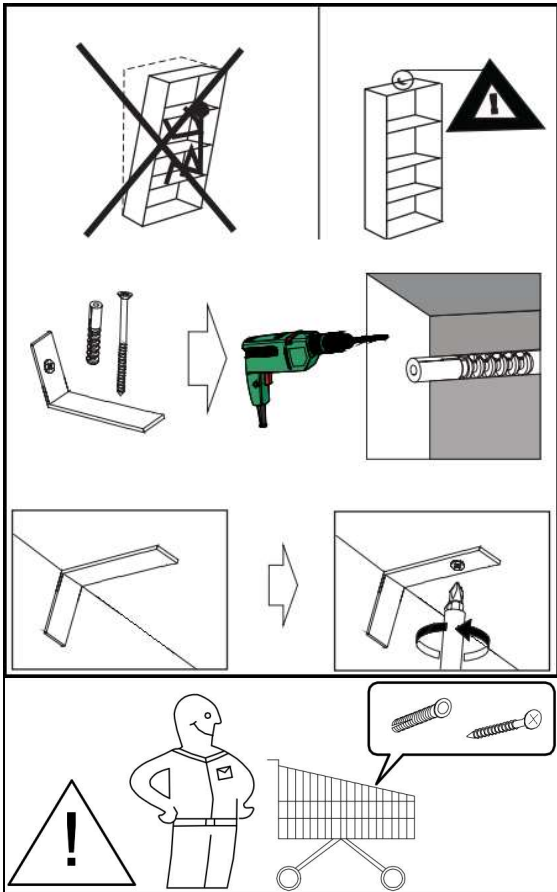
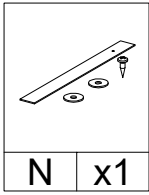


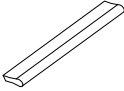

	
R x7	K x1









L-115 mm	Ø3,5x25mm
	
D x2	E x4

