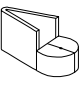

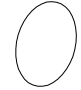

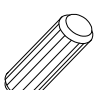

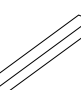





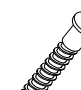
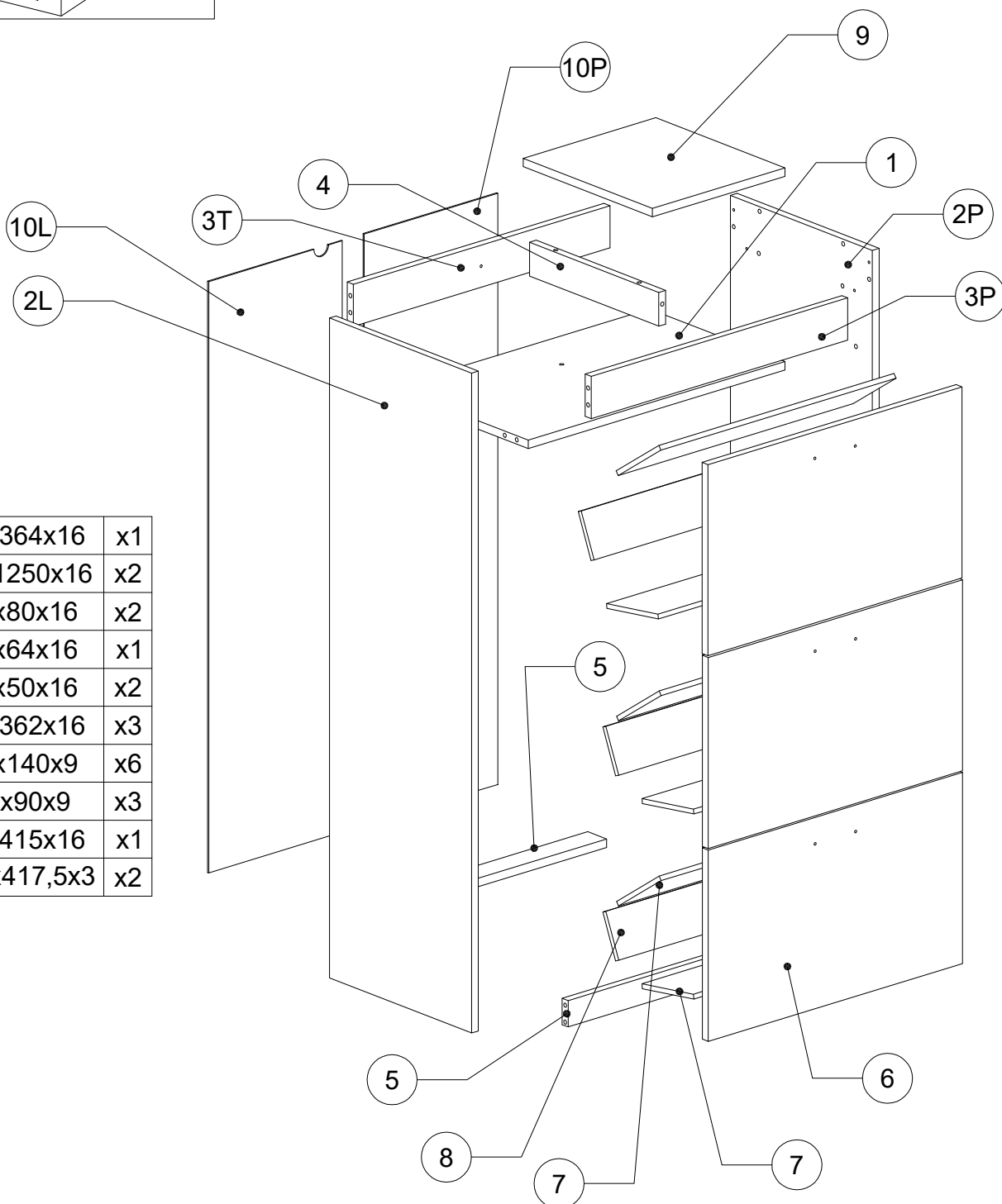
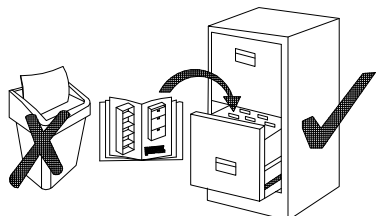
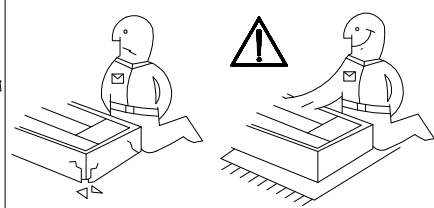
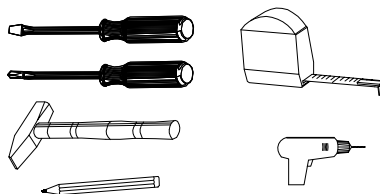
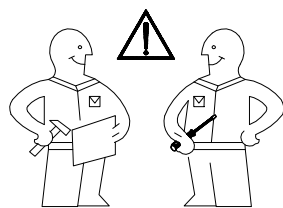

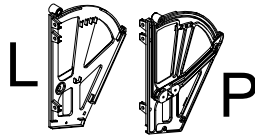
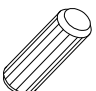

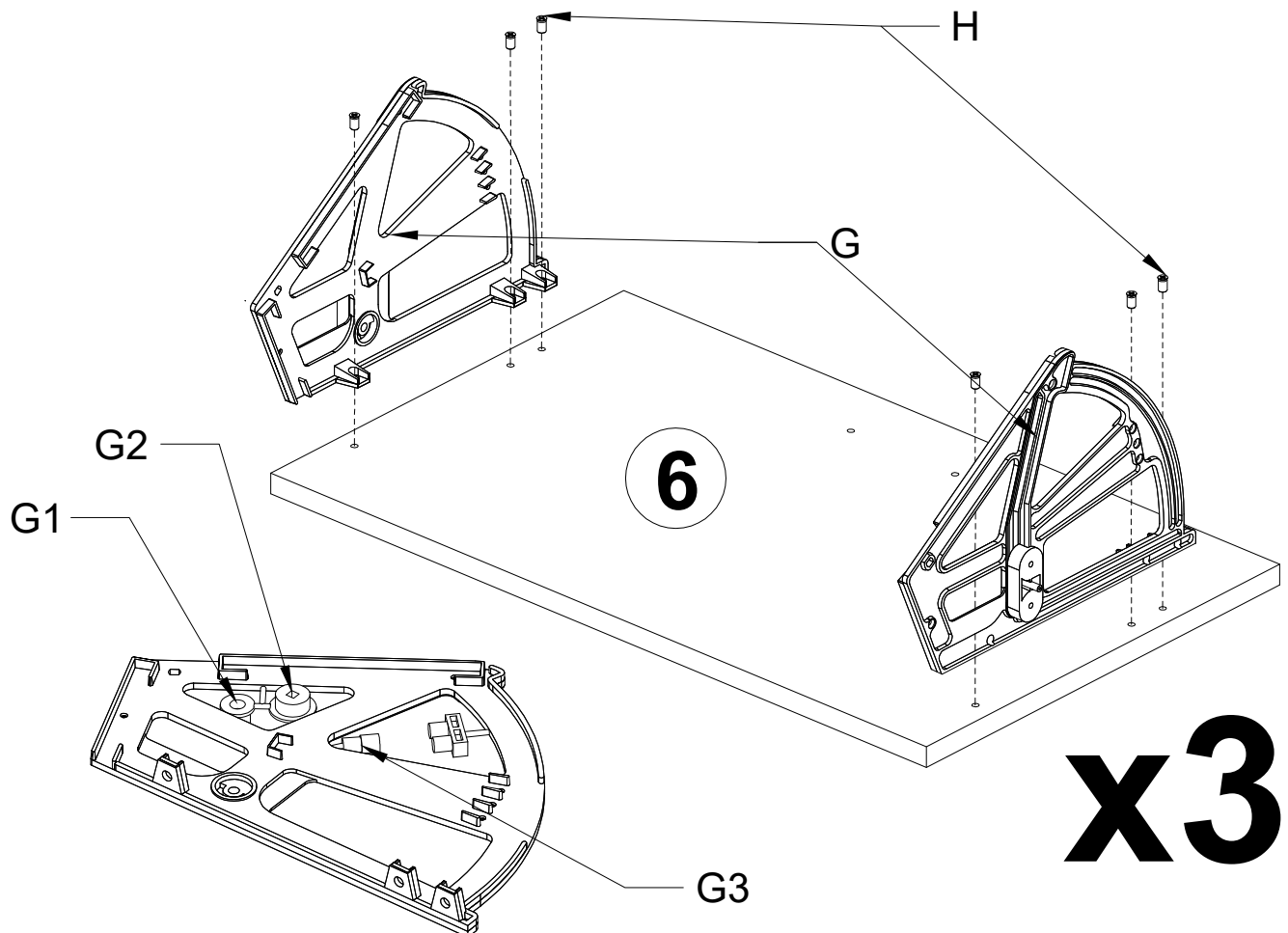
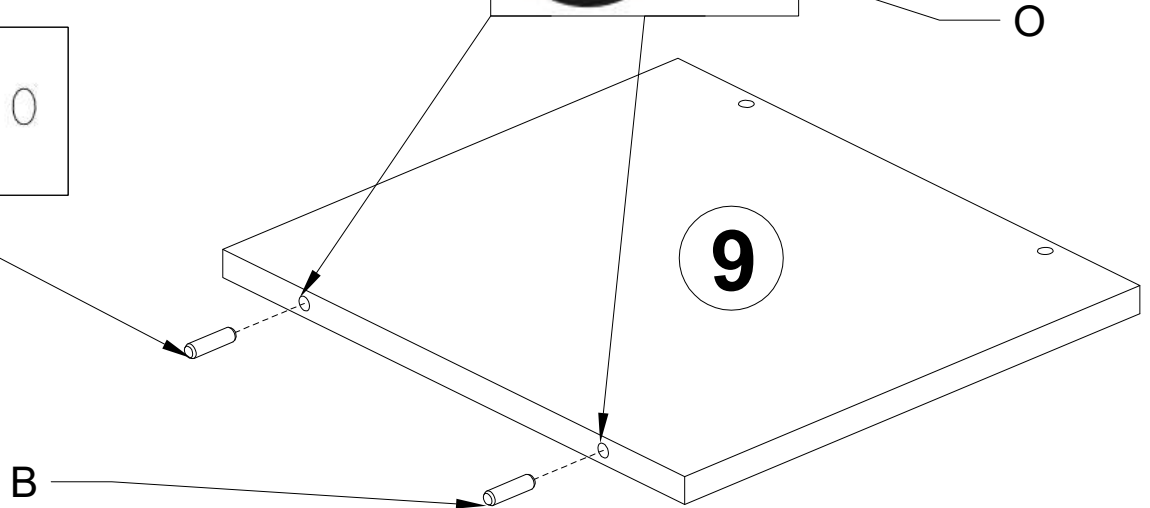
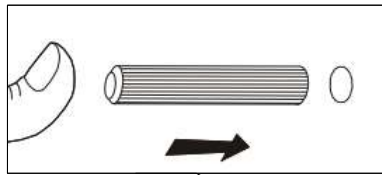
 $\varnothing 3 \times 16 \text{mm}$		 Lepidlo	
J x1	K x4	L x1	M x18	N x1	O x1	P x14
$\varnothing 15/12 \text{mm}$	$\varnothing 8 \times 35 \text{mm}$		L-115 mm	$\varnothing 3,5 \times 25 \text{mm}$		
						 L
A x14	B x16	C x14	D x3	E x6	F x32	 P
						 $\varnothing 6 \times 13 \text{mm}$
						 $\varnothing 7 \times 50 \text{mm}$
						H x24
						I x2



1	810x364x16	x1
2L, 2P	380x1250x16	x2
3T, 3P	810x80x16	x2
4	346x64x16	x1
5	810x50x16	x2
6	804x362x16	x3
7	795x140x9	x6
8	795x90x9	x3
9	346x415x16	x1
10L, 10P	1140x417,5x3	x2

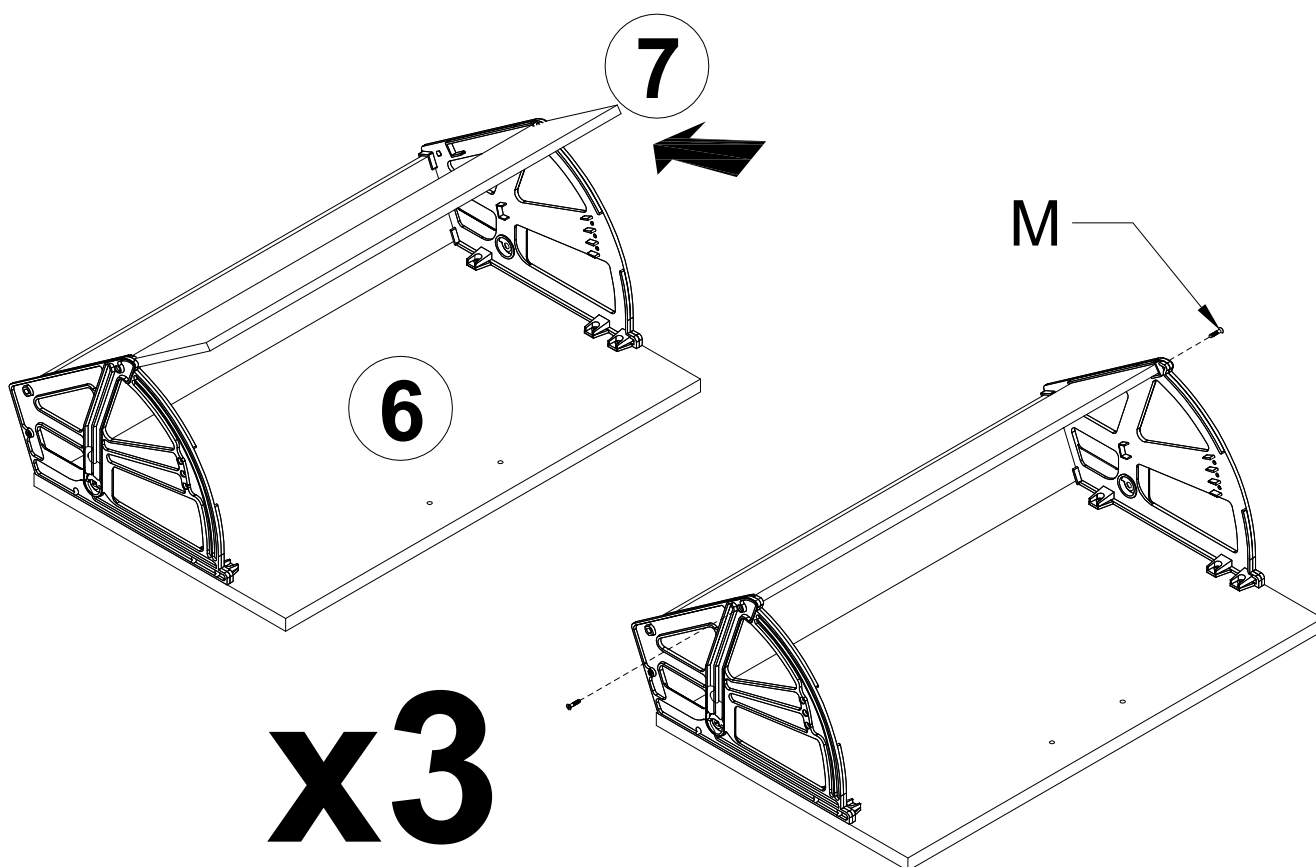
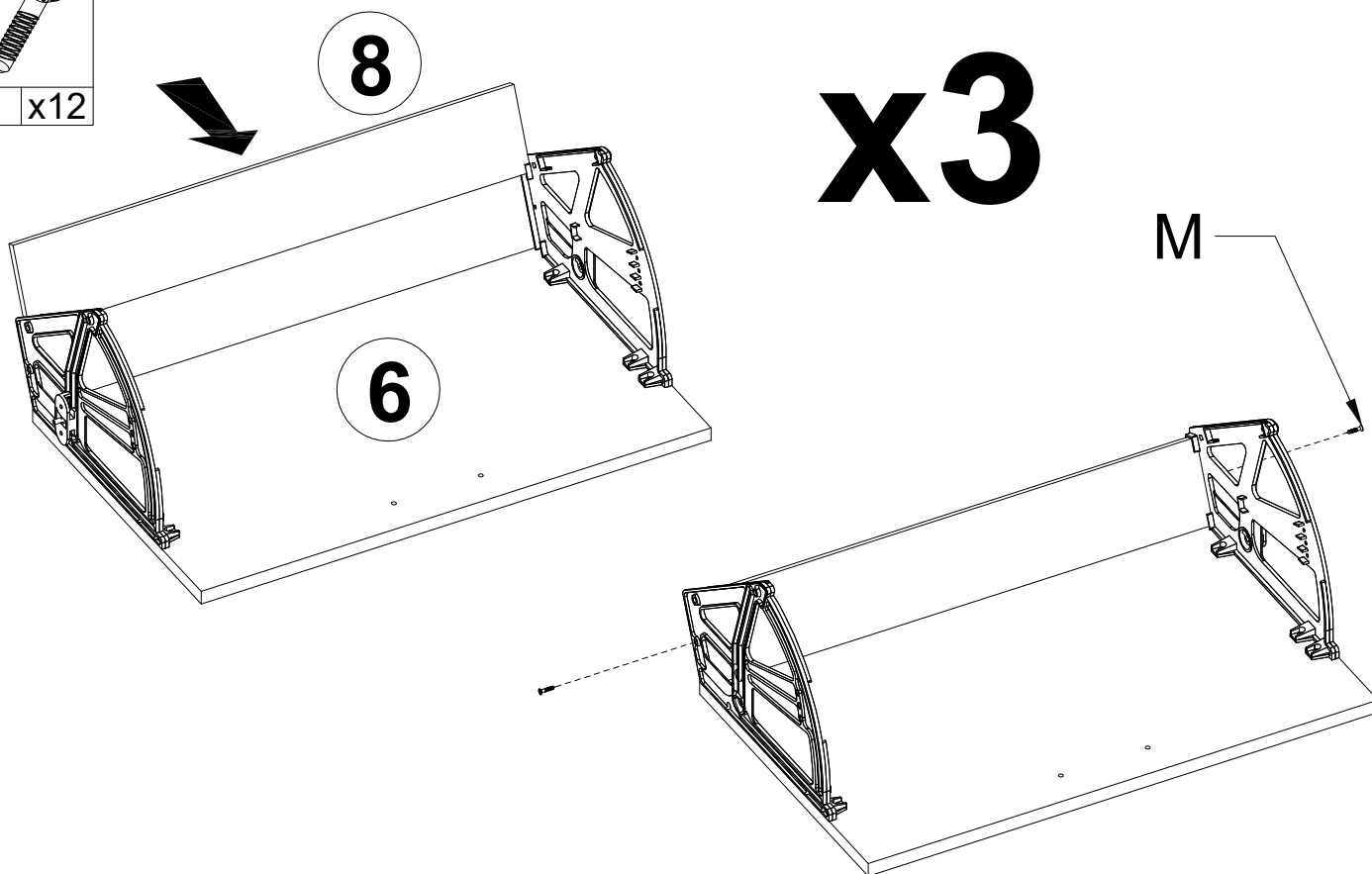
 <p>Ø6,2x15mm</p>	 <p>L P</p>	 <p>Ø8x35mm</p>	 <p>Glue</p>
H x18	G x3	B x2	O x1



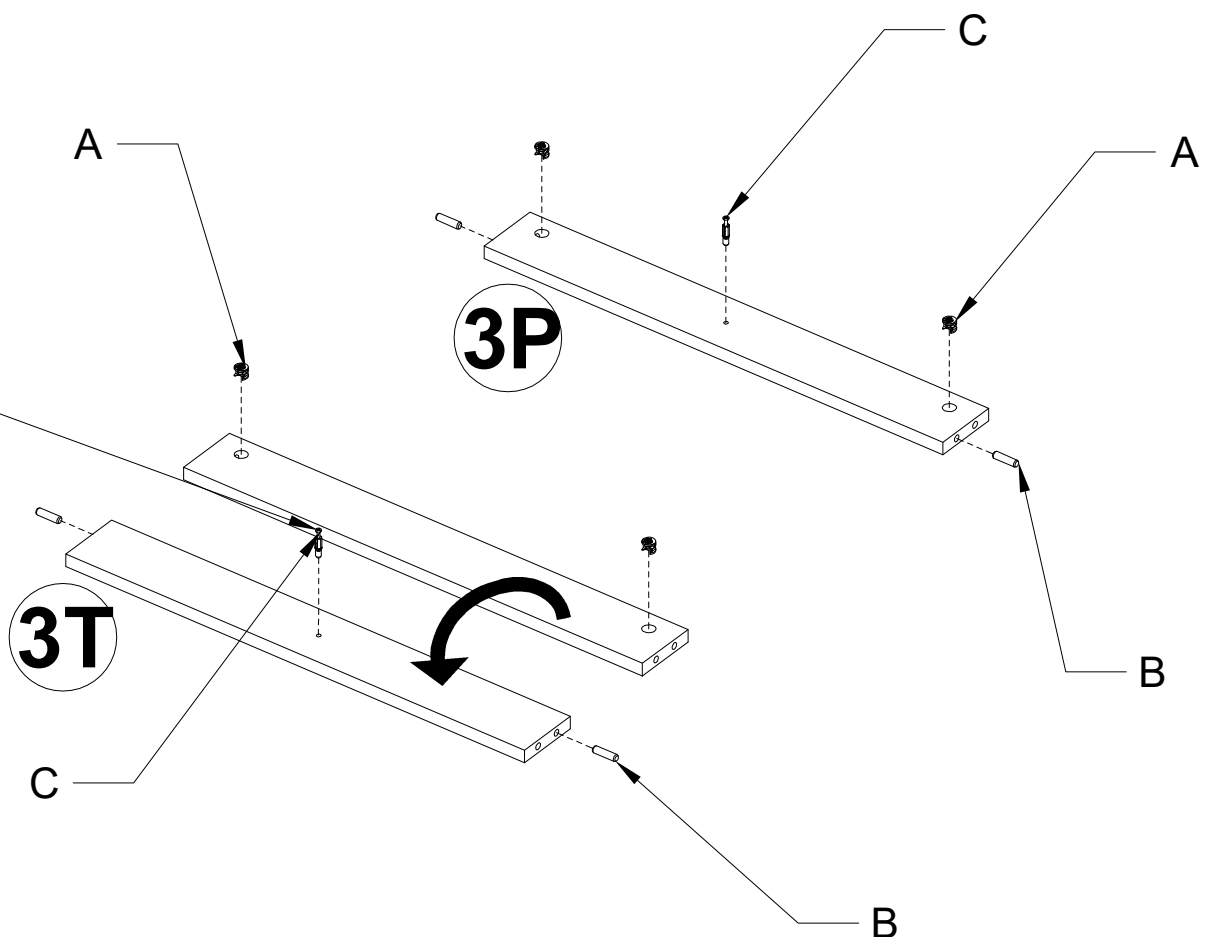
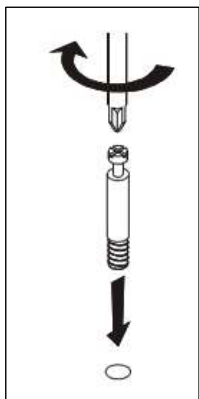
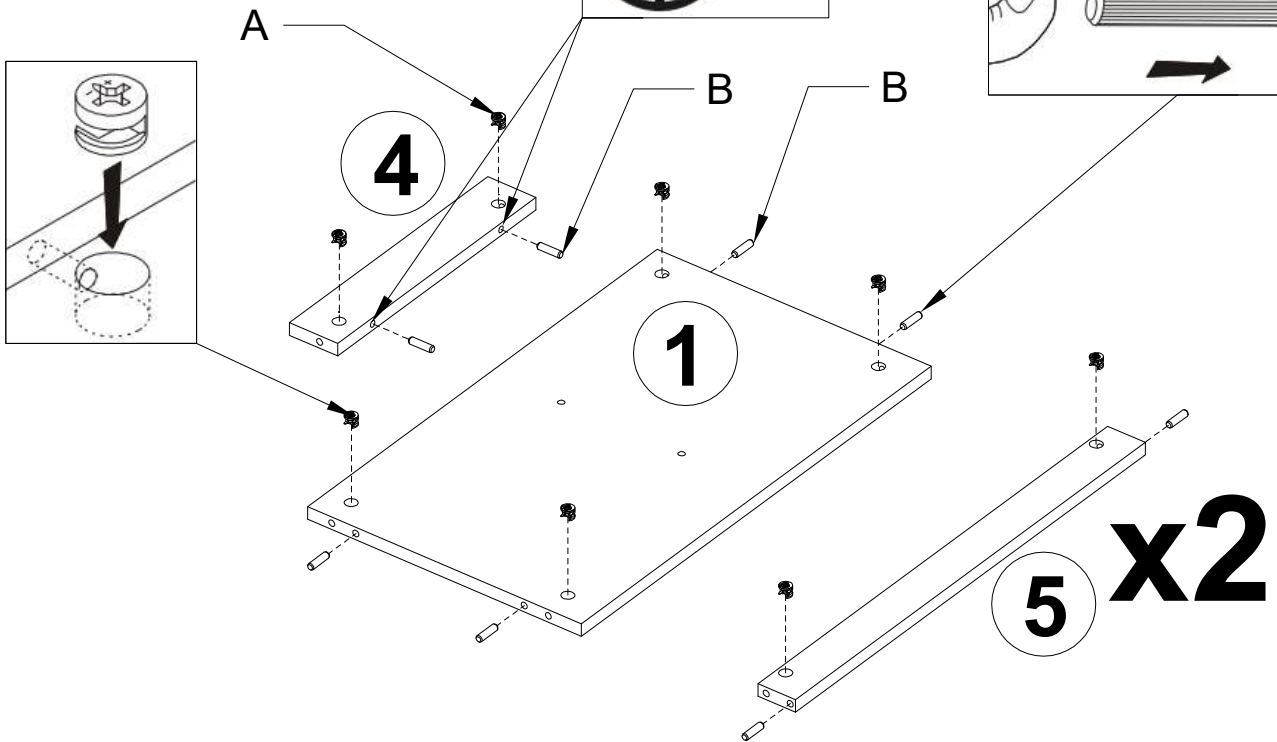
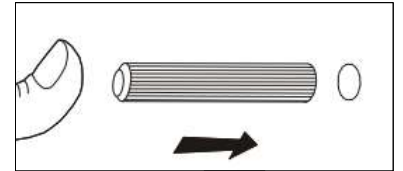
Ø3x16mm

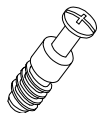
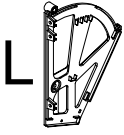



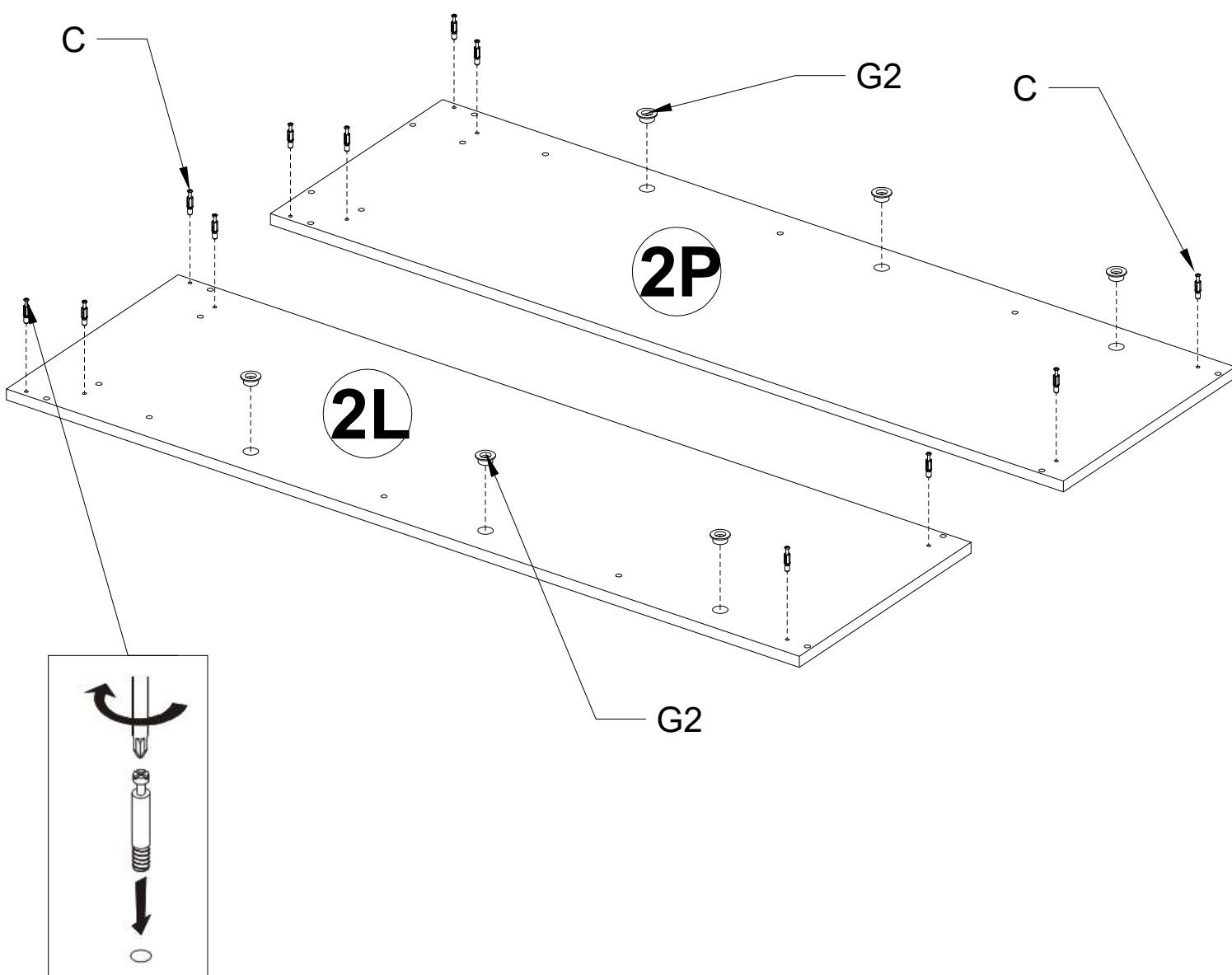
M x12




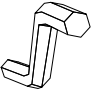
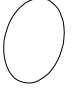
Ø15/12mm	Ø8x35mm		
A x14	B x14	C x2	O x1

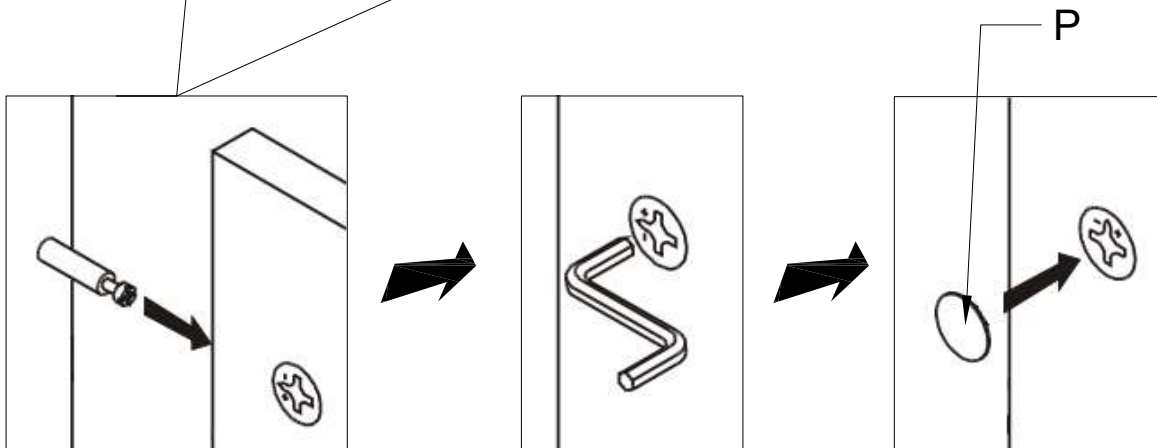
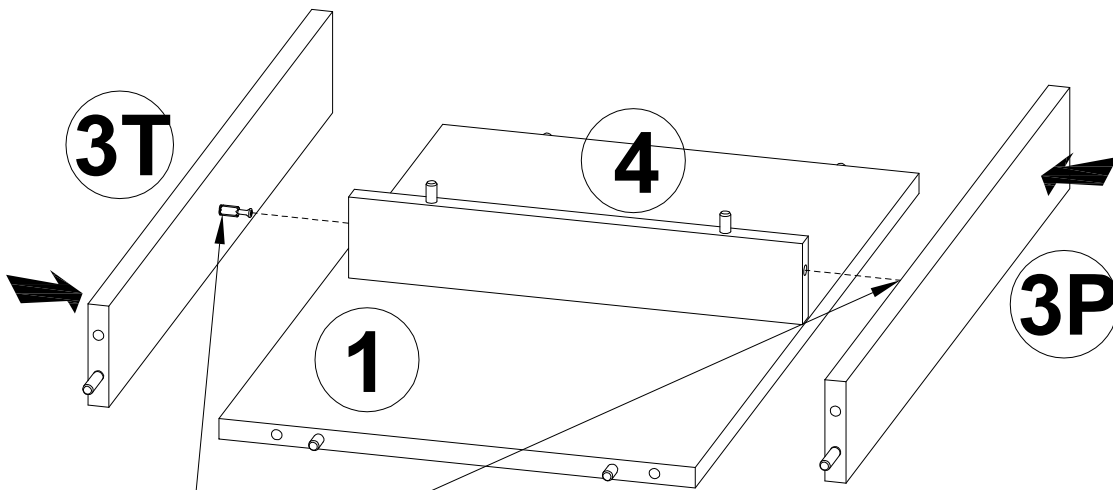
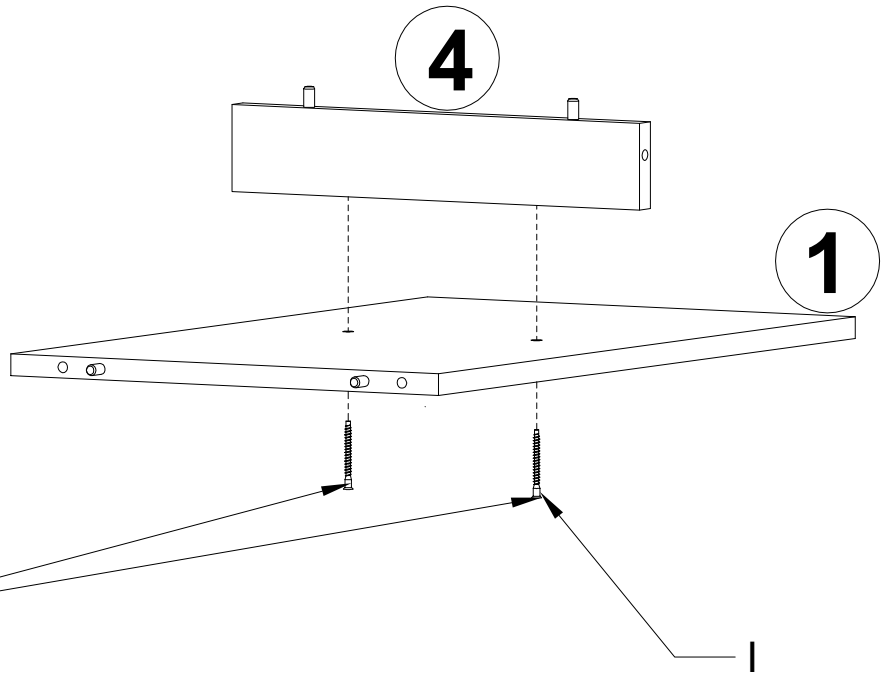
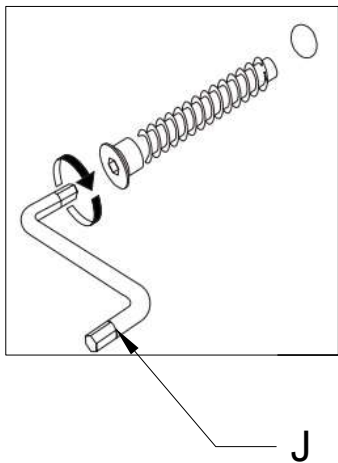


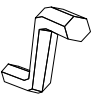
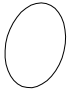
		
C x12	G x6	P x6

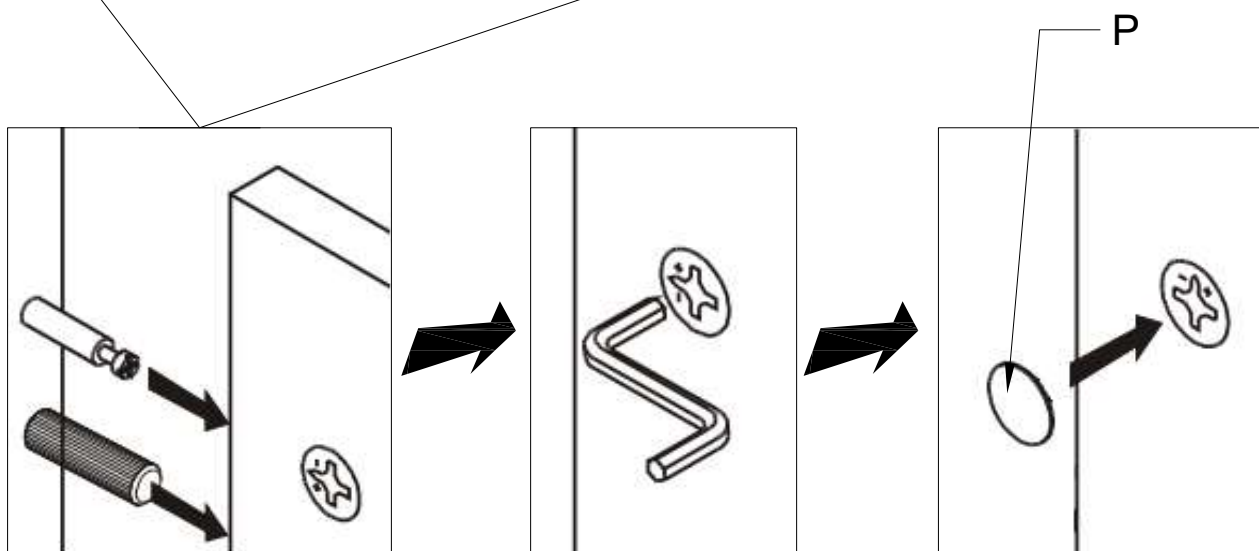
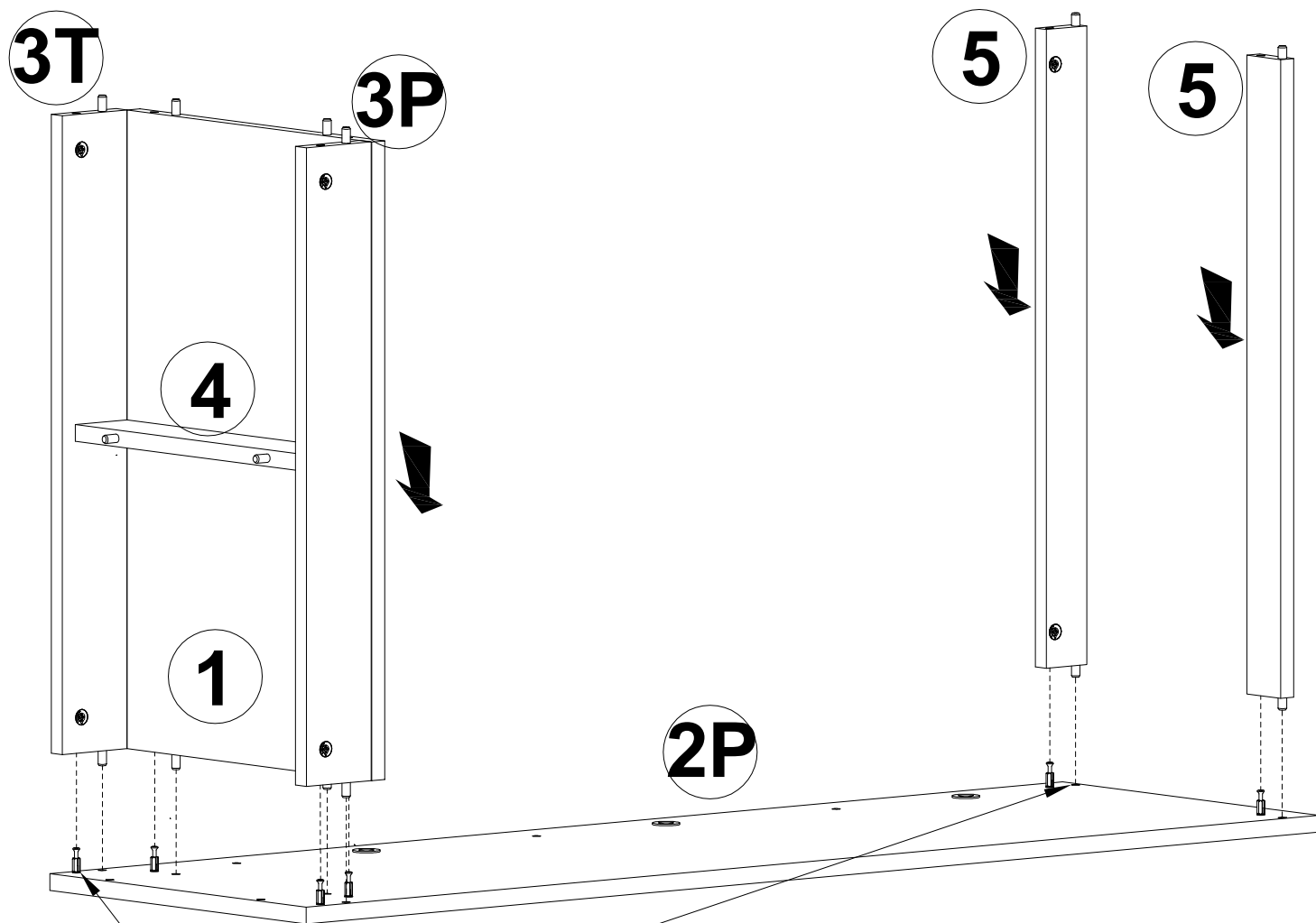


Ø7x50mm

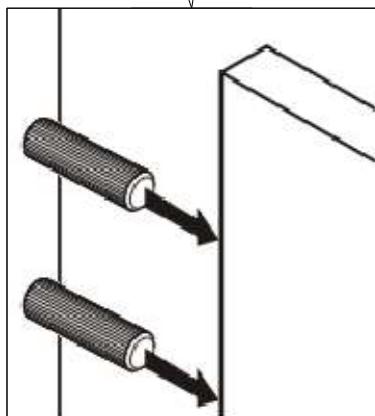
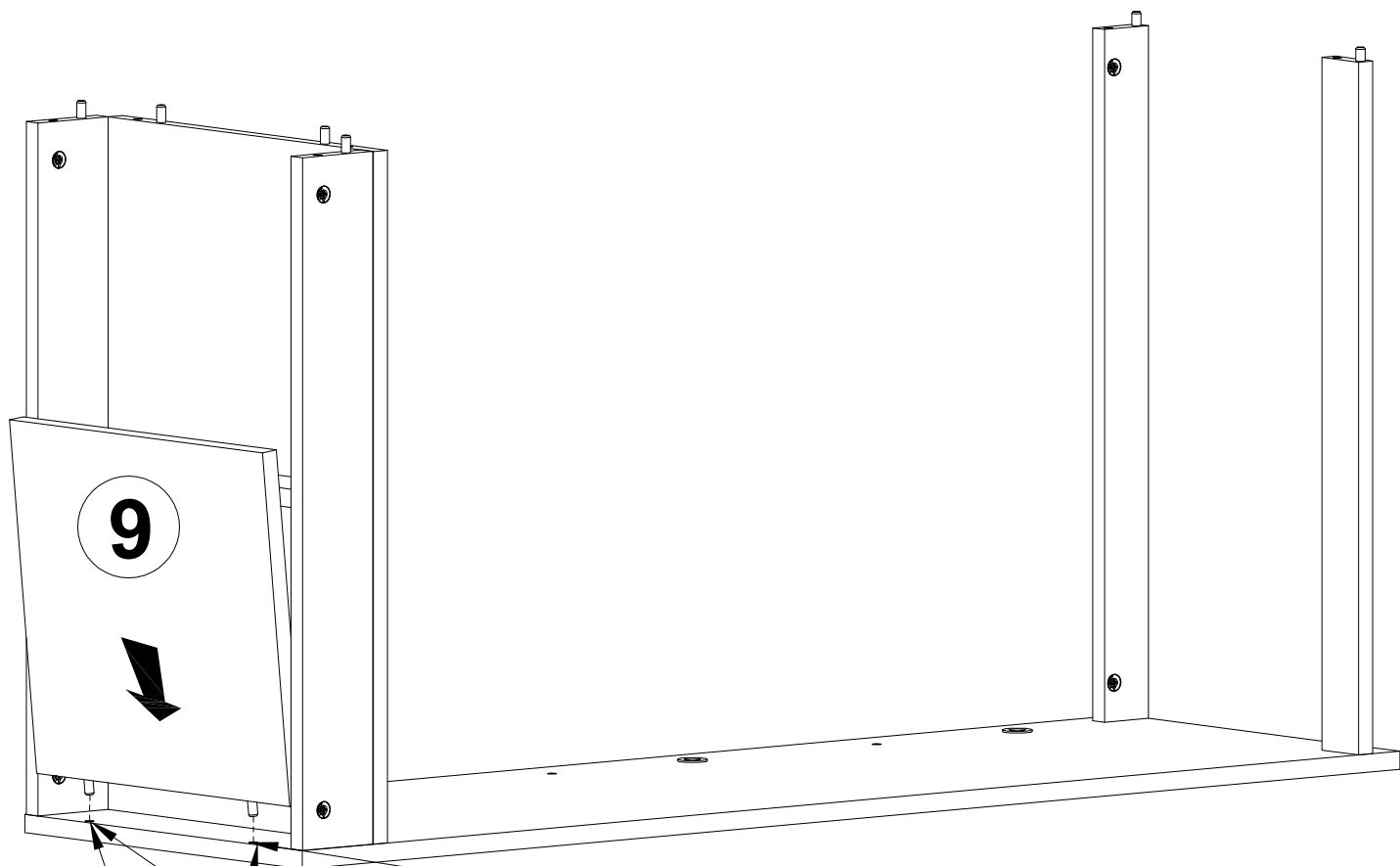
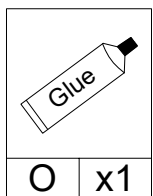
					
I	x2	J	x1	P	x2



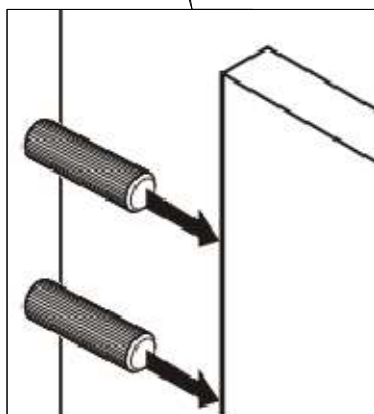
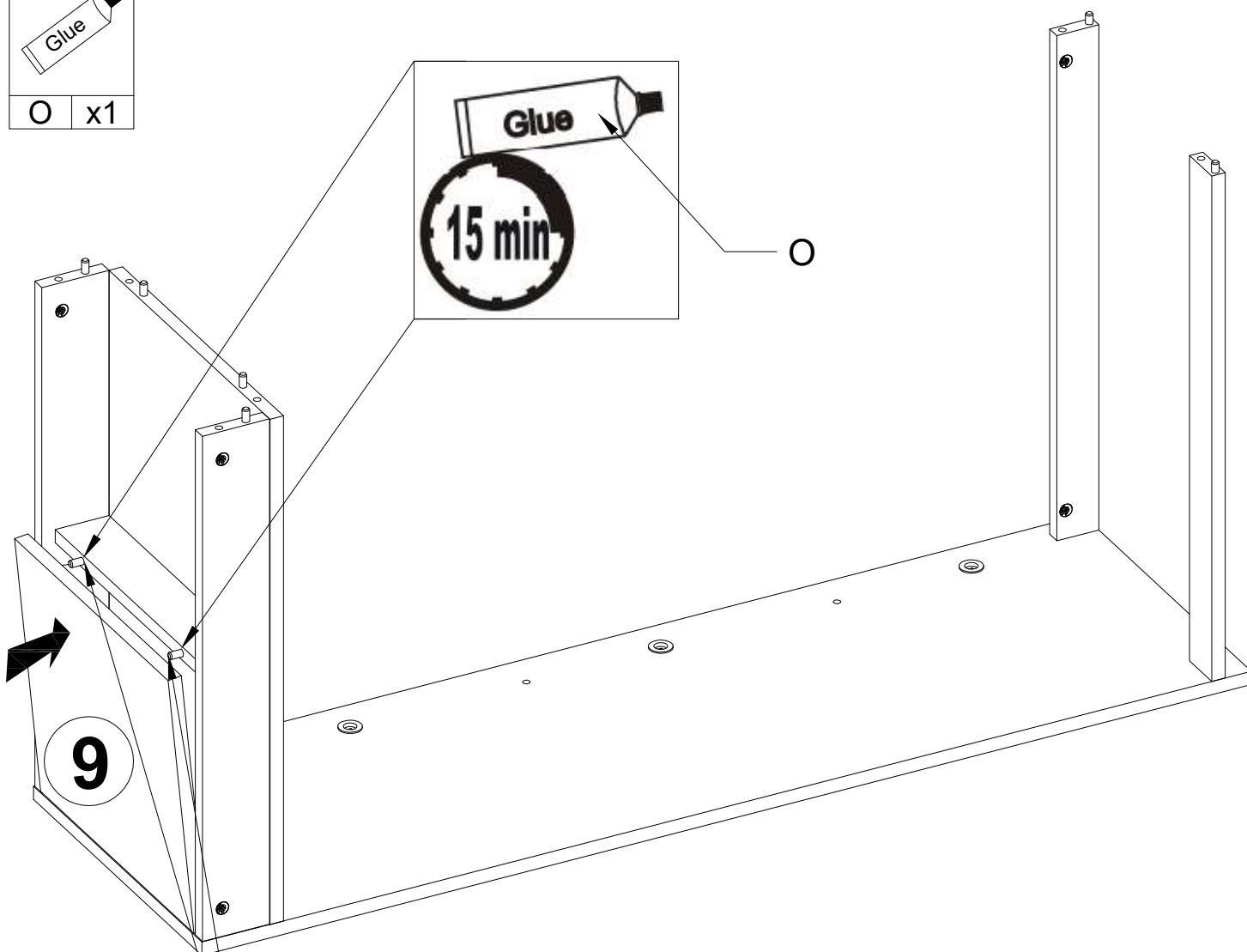
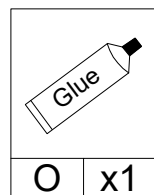
			
J	x1	P	x6

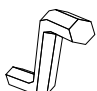
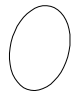


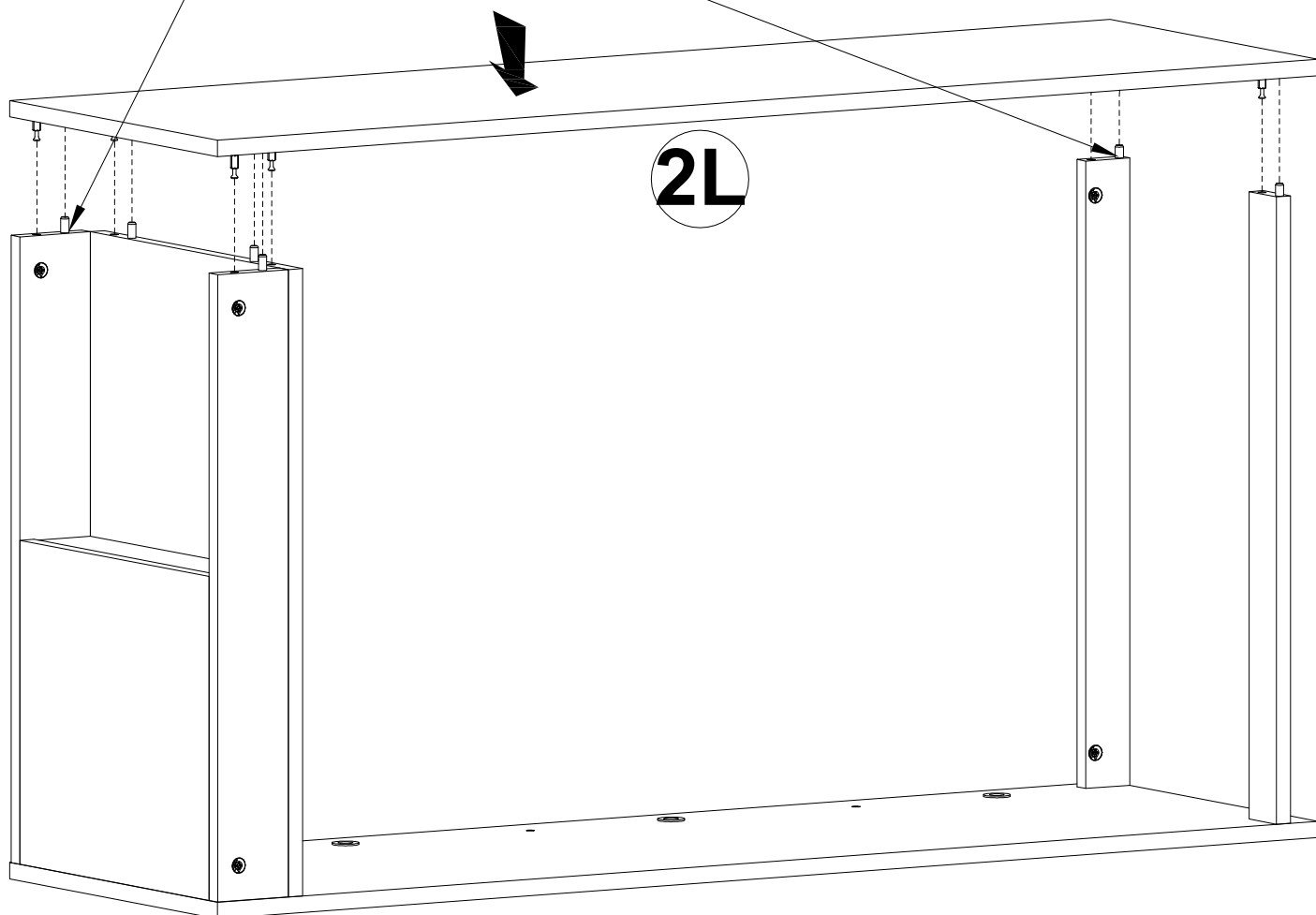
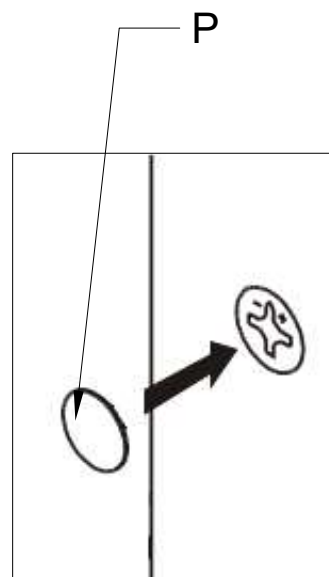
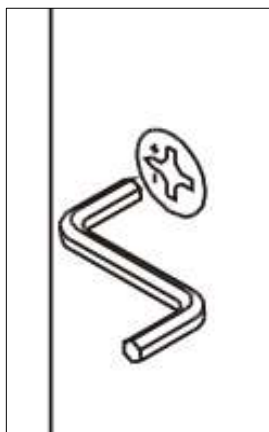
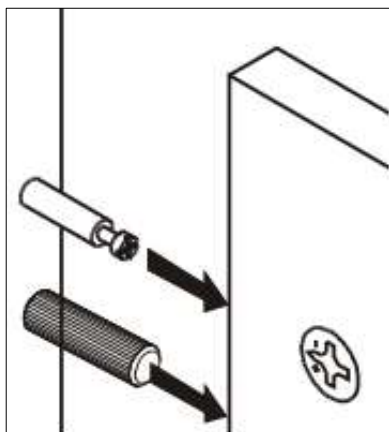


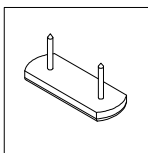


O

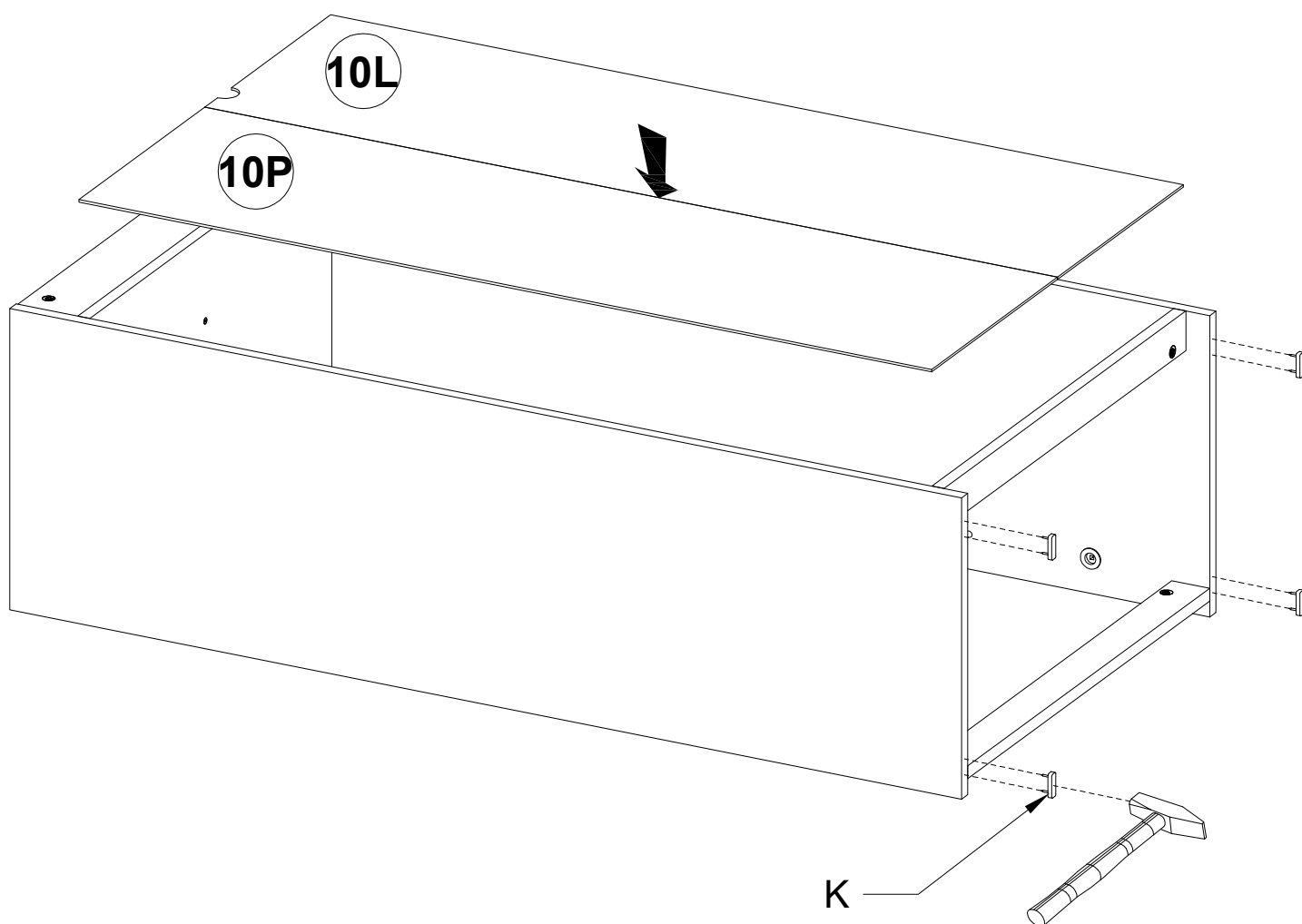


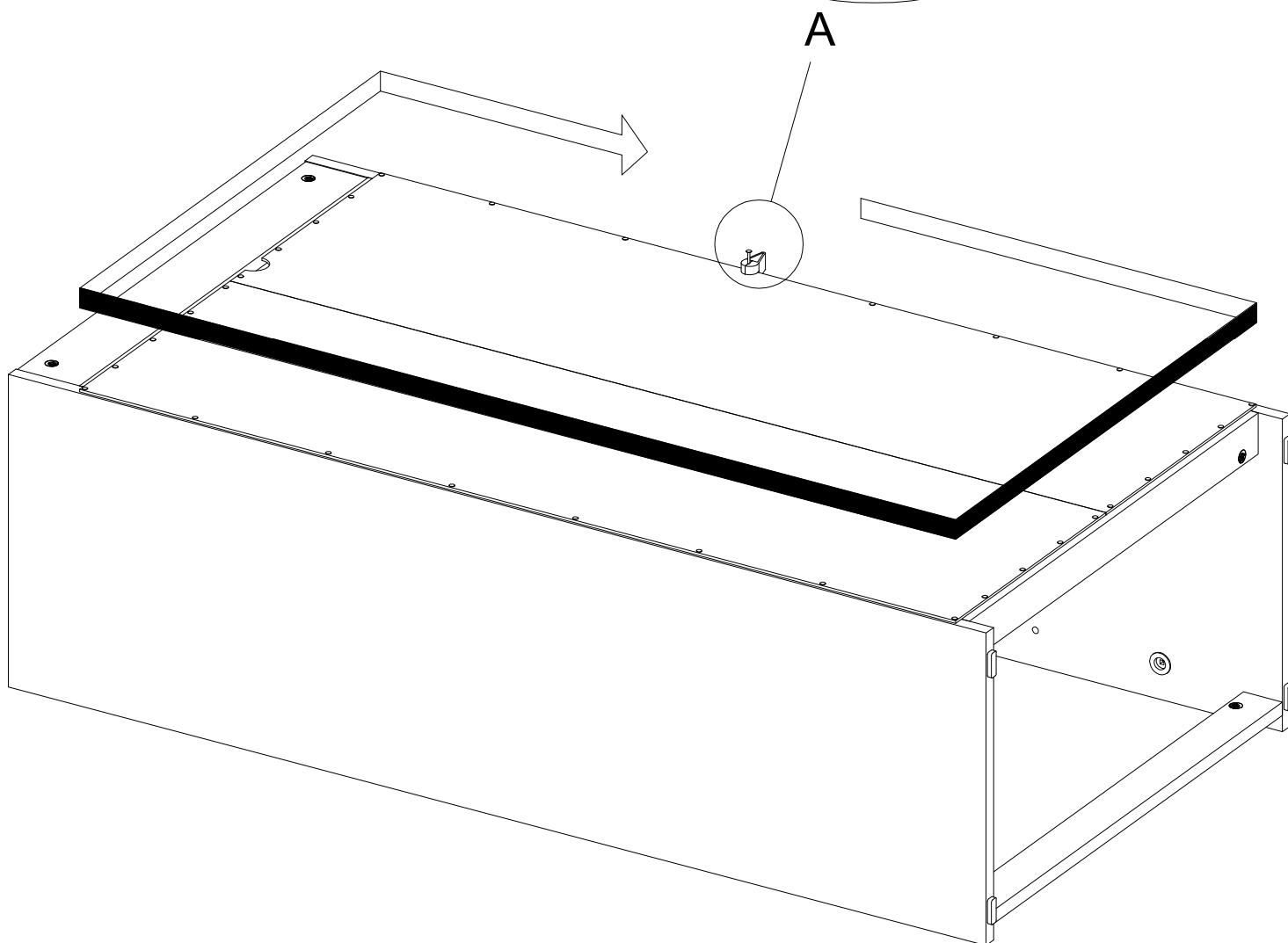
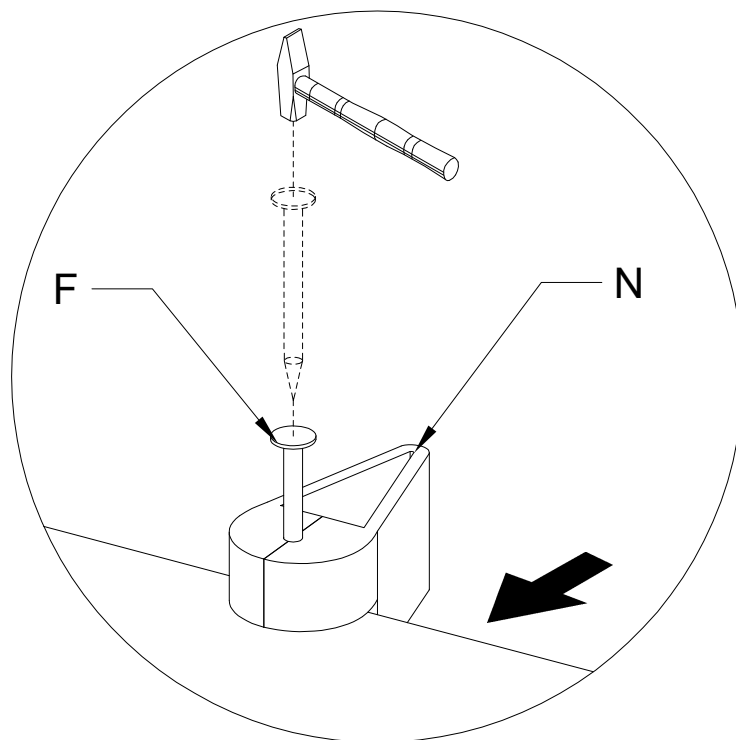
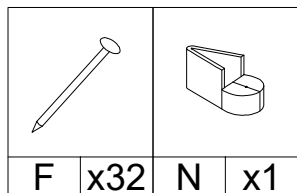
			
J	x1	P	x6

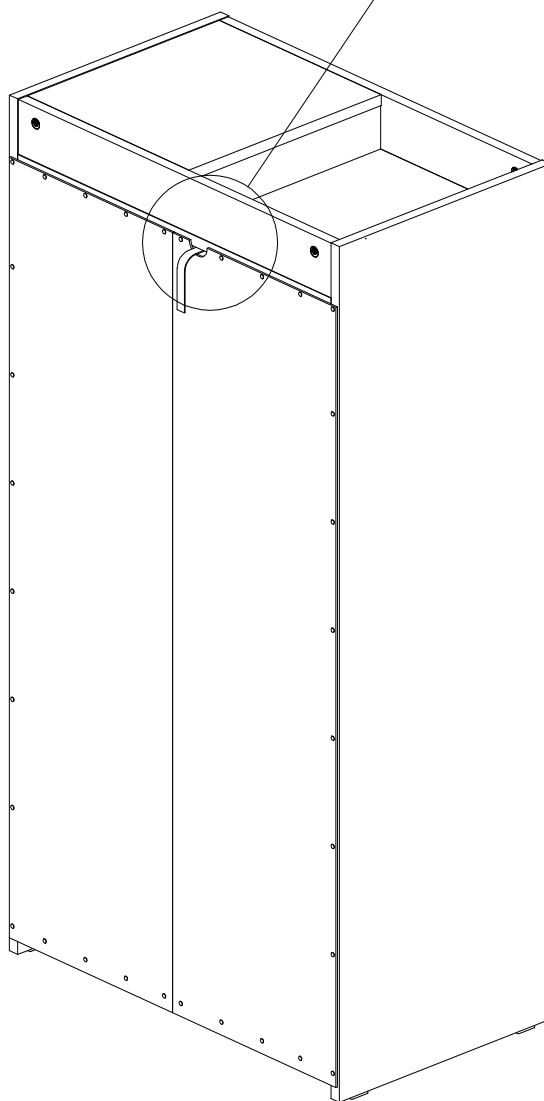
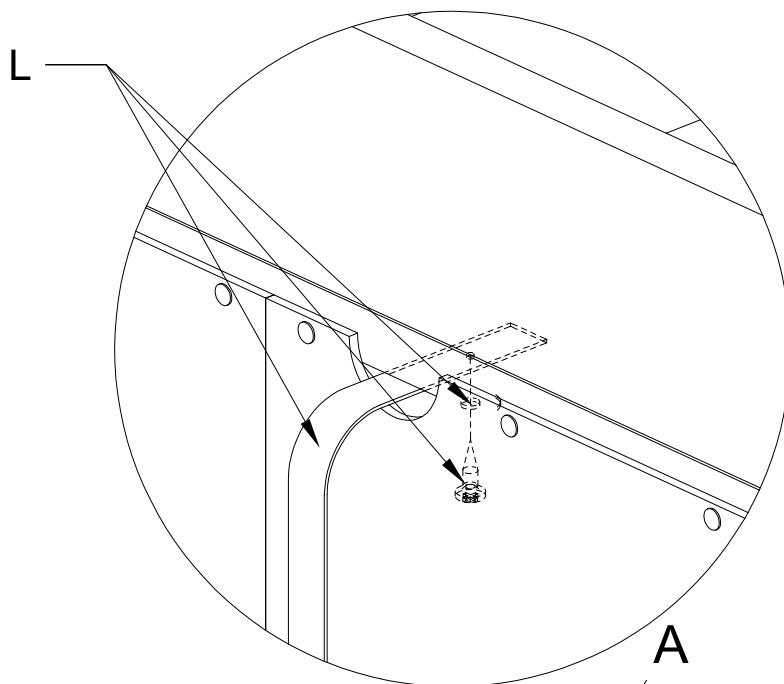
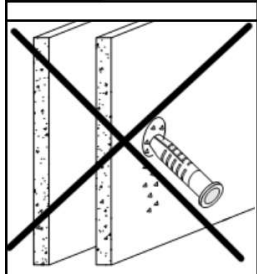
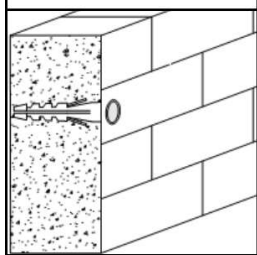
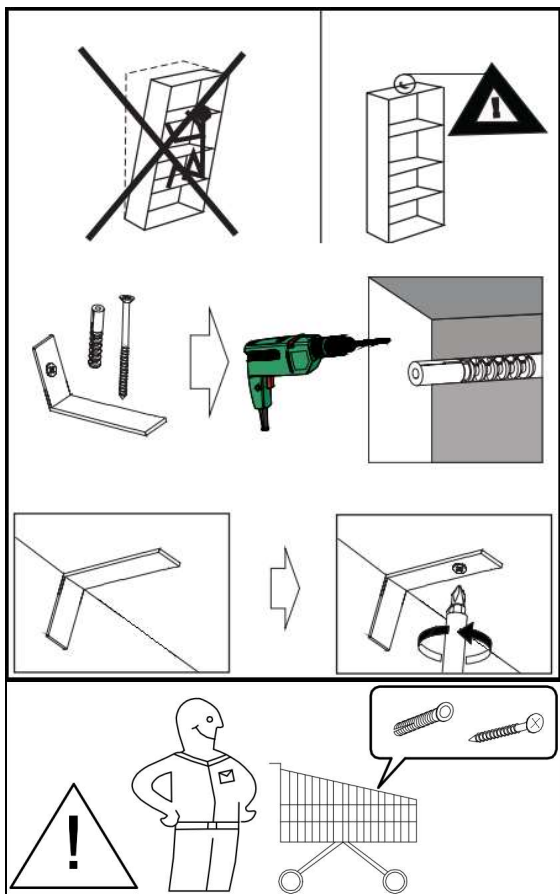
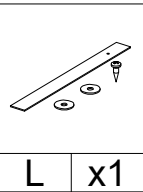


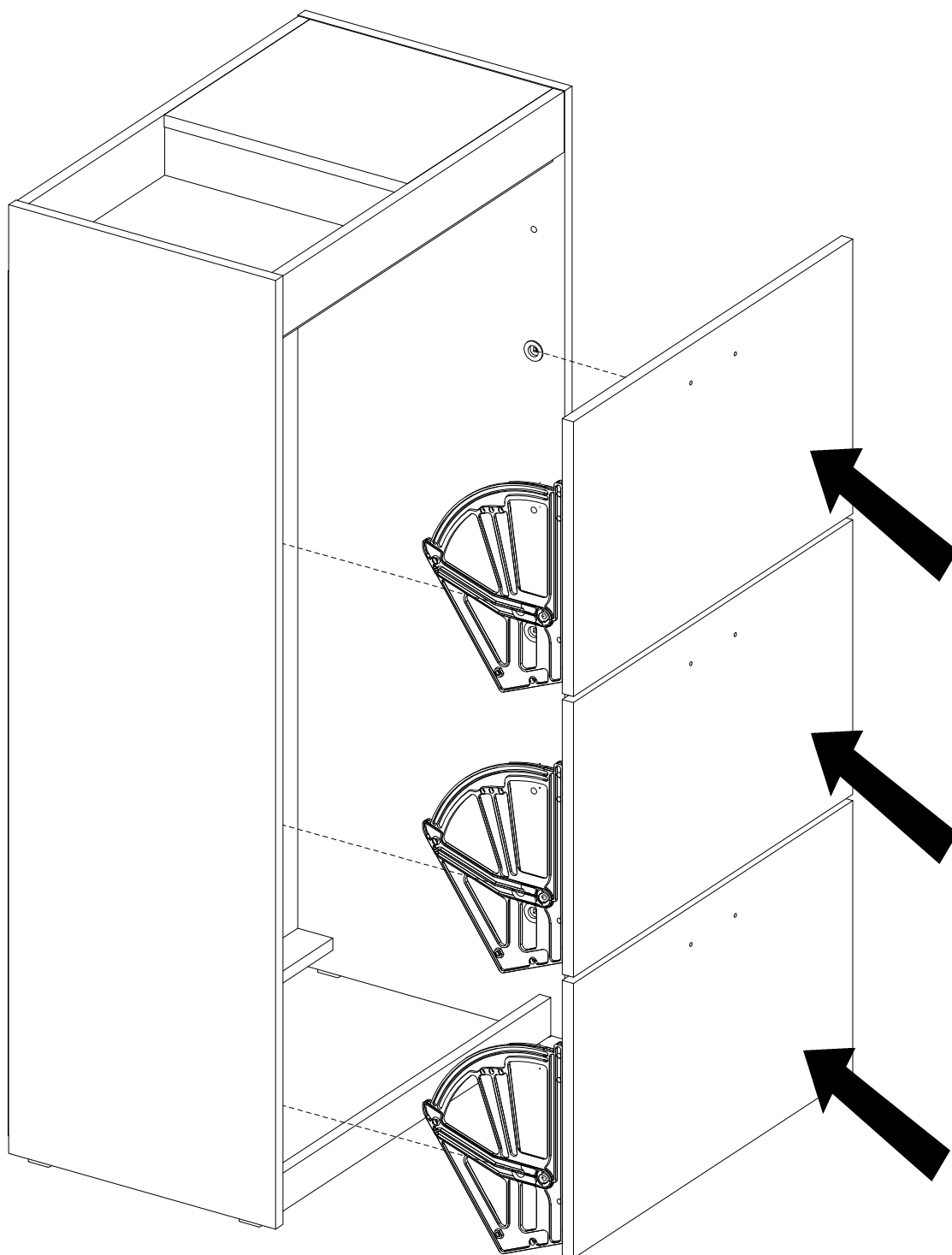


K x4

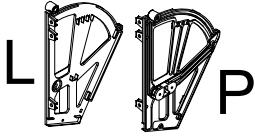








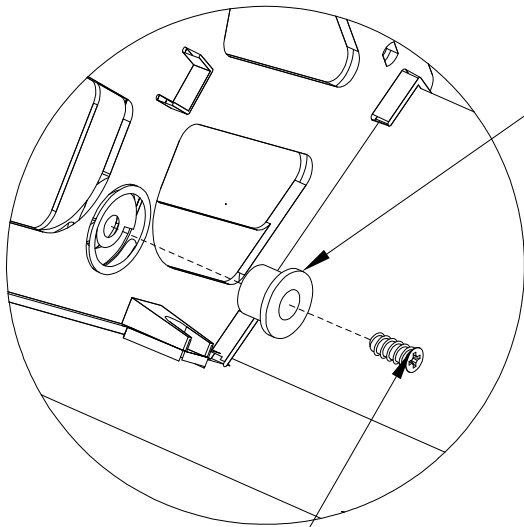
Ø6,2x15mm



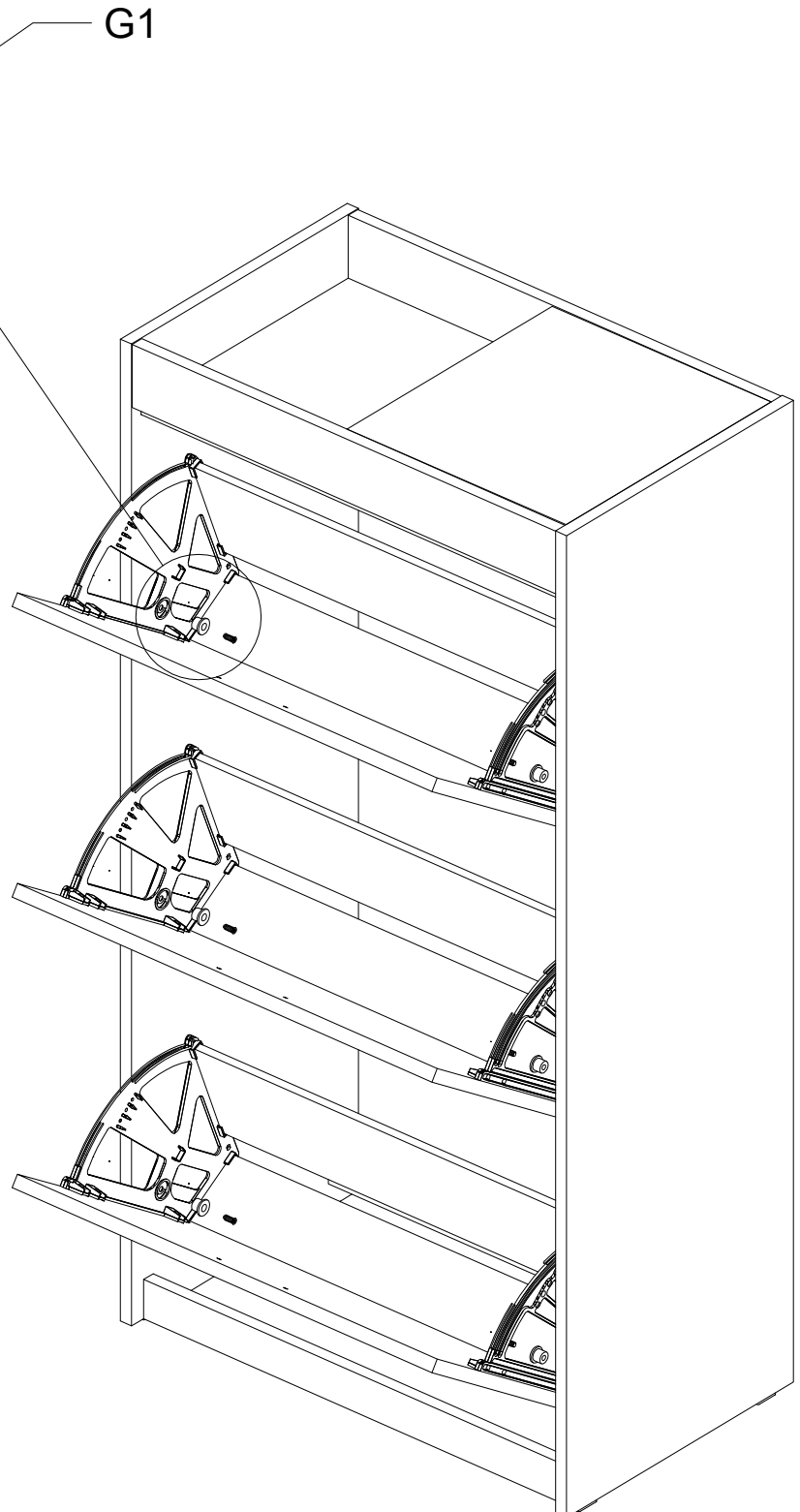
H x6

G


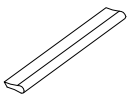

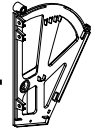
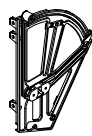
x3



H





Ø3x16mm 	L-115 mm 	Ø3,5x25mm 	 L  P
M x6	D x3	E x6	G x3

