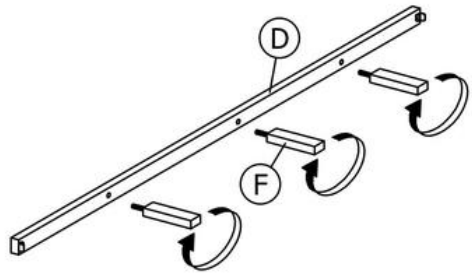
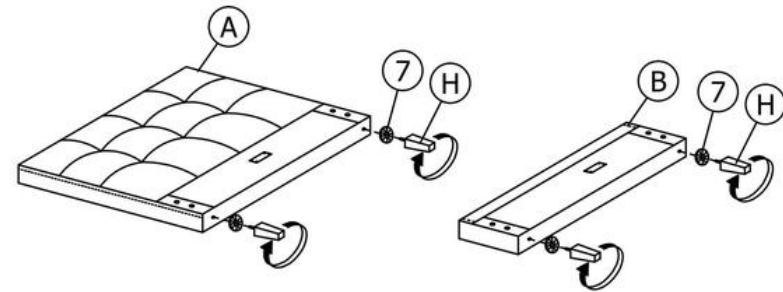


A	1 PC	1	M8 x 30mm		8 PCS
B	1 PC	2			34 PCS
C	2 PCS	3			17 PCS
D	1 PC	4	M3.5 x 16mm		8 PCS
E	2 PCS	5	M5		1 PC
F	3 PCS	6	M4 x 20mm		2 PCS
G	34 PCS	7			4 PCS
H	4 PCS				

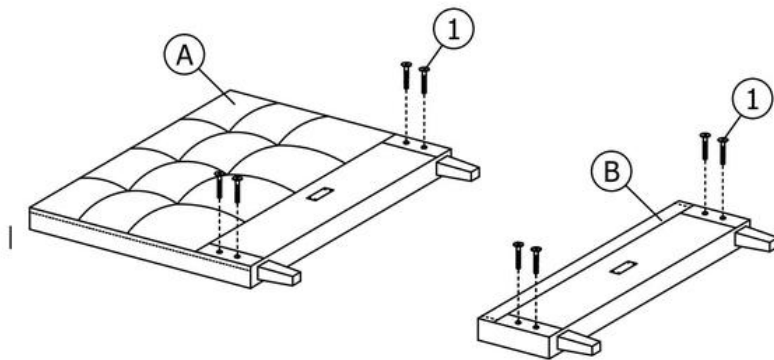
1



2



3



4

