


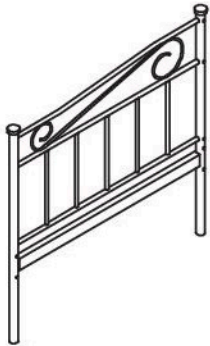
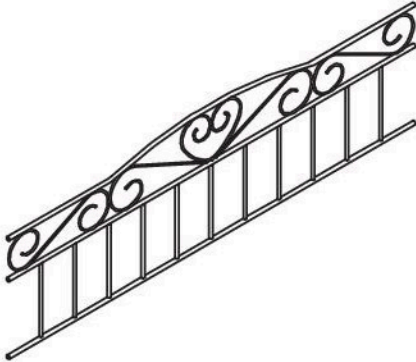
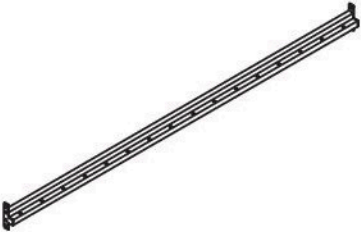



# BIRMA



a		x40
b		x 6
c		x 1

A	B	C	D
			
x 2	x 1	x 2	x 16

