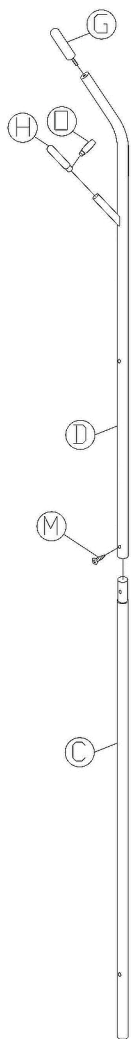
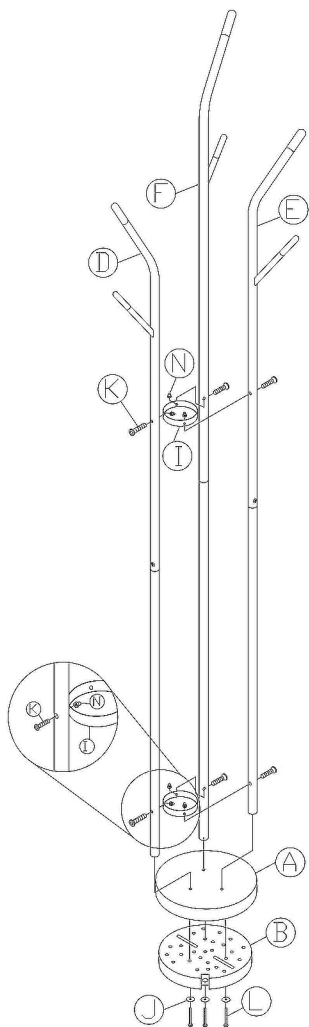


SANDER

1



2



(A)	(I)
 x1	 x2
(B)	(J)
 x1	 x3
(C)	(K)
 x3	 x6
(D)	(L)
 x1	 x3
(E)	(M)
 x1	 x3
(F)	(N)
 x1	 x6
(G)	(O)
 x3	 x1
(H)	(P)
 x3	 x1