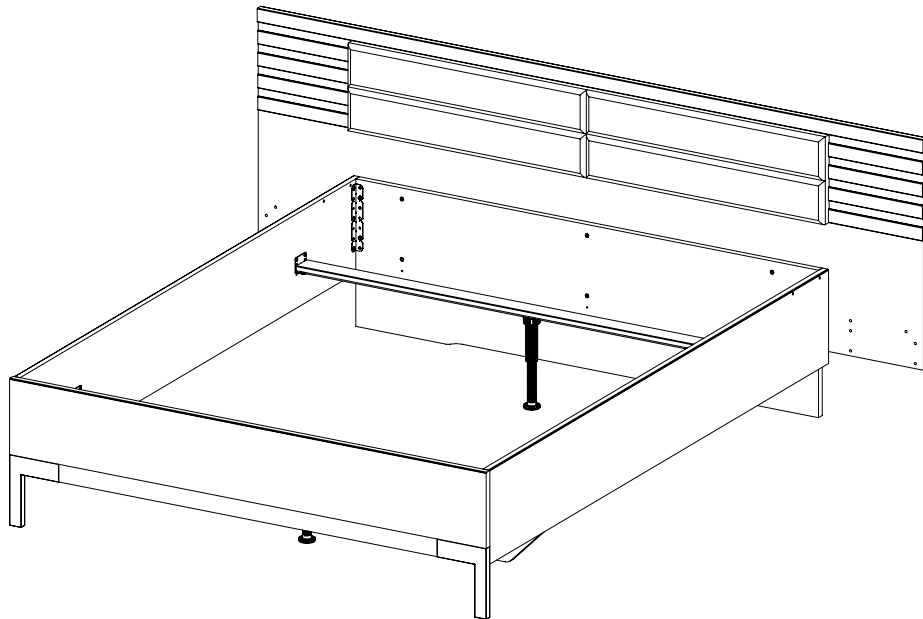
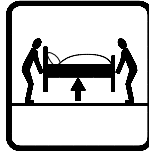
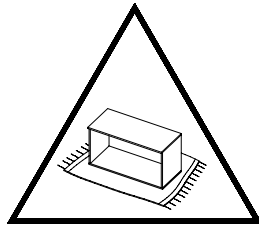
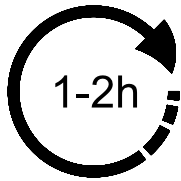
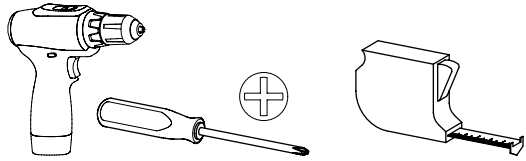
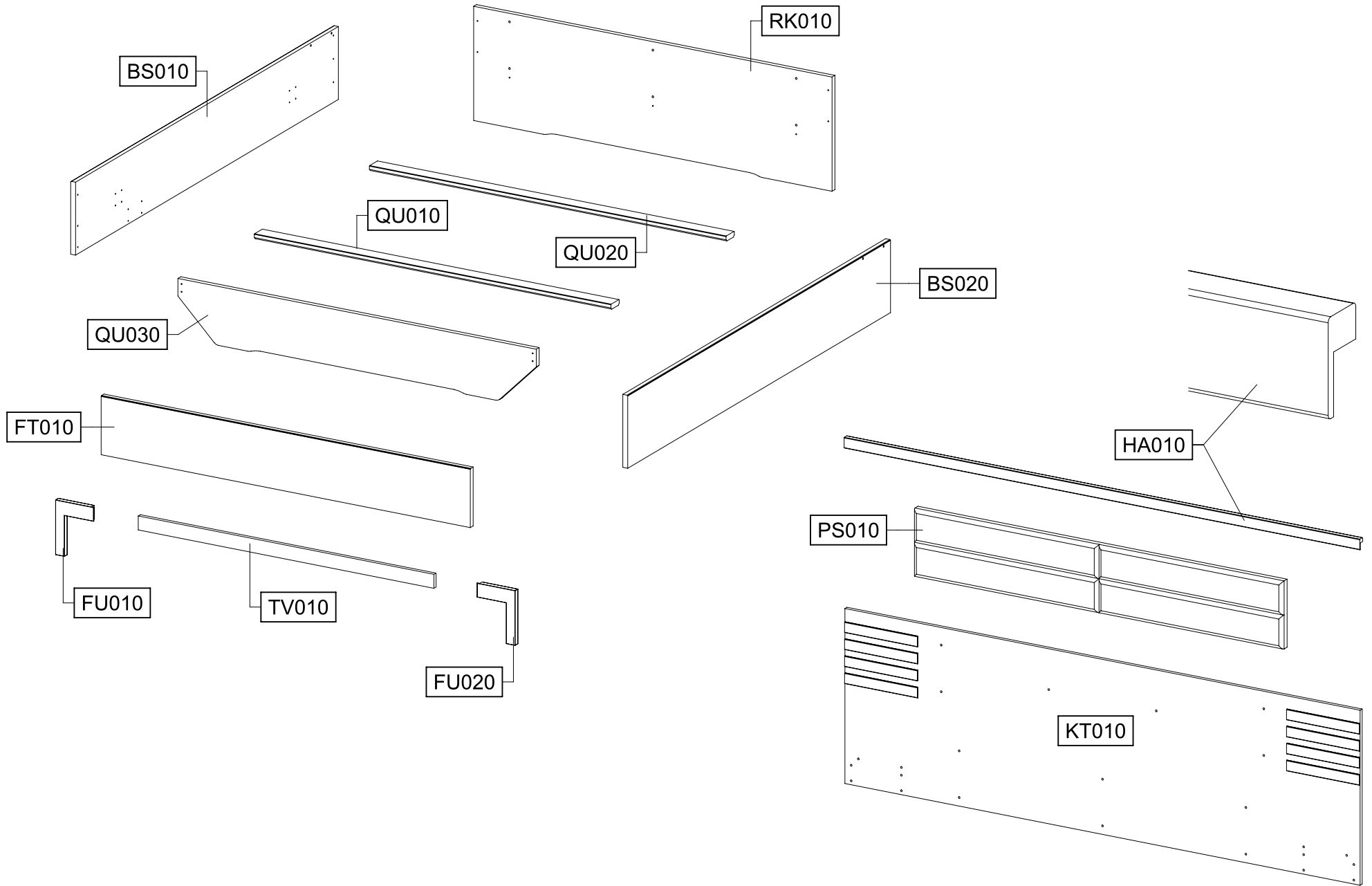
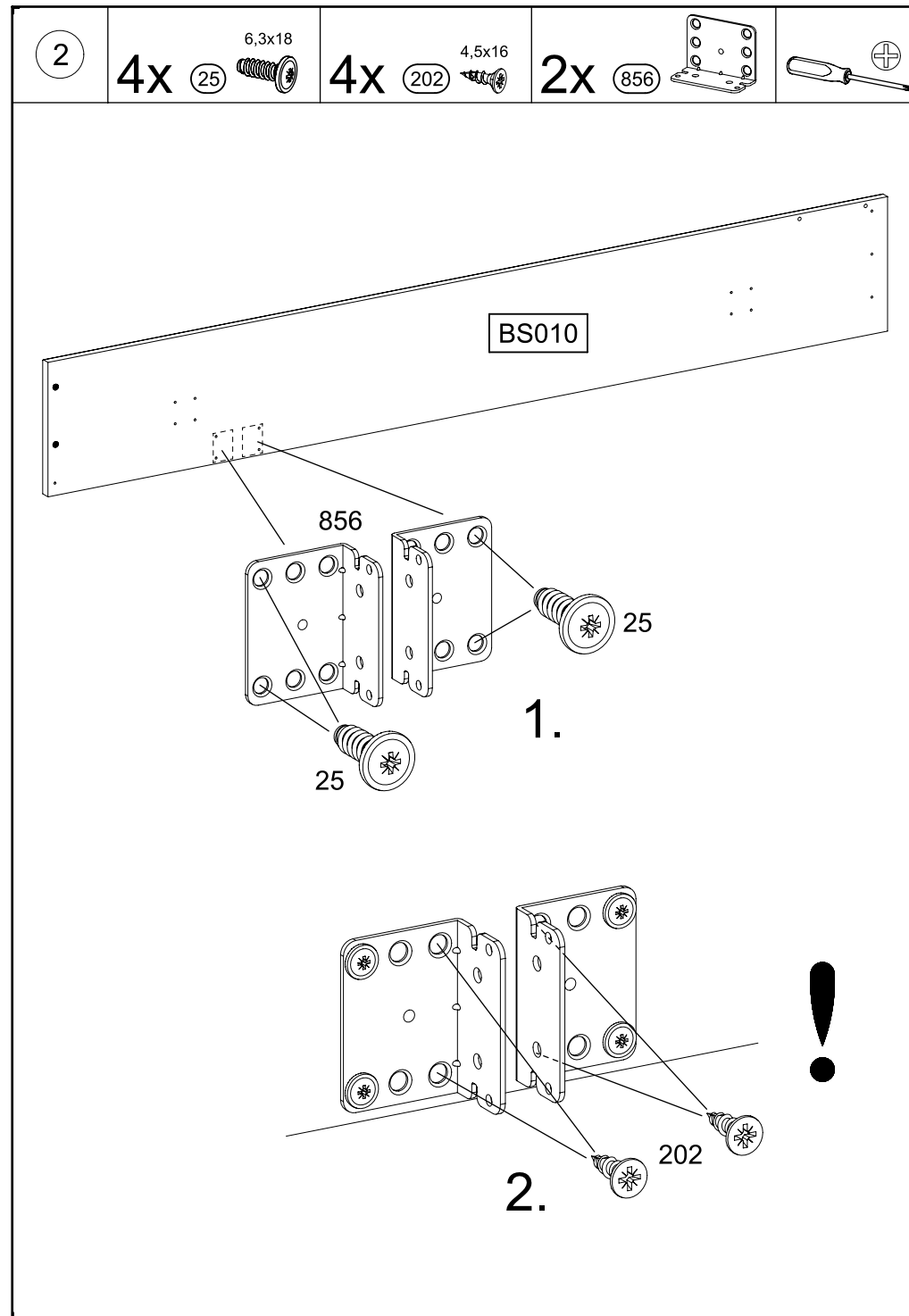
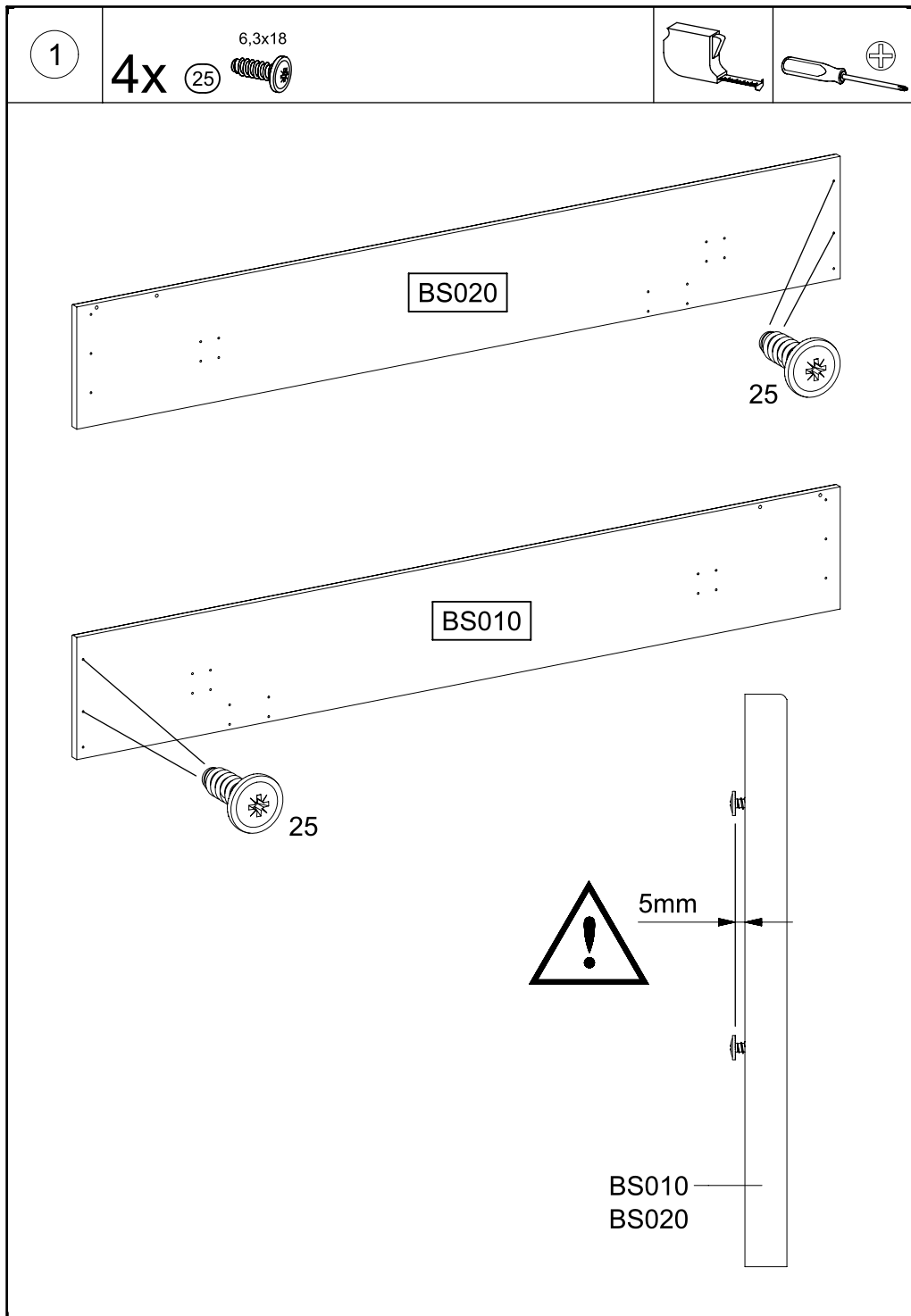


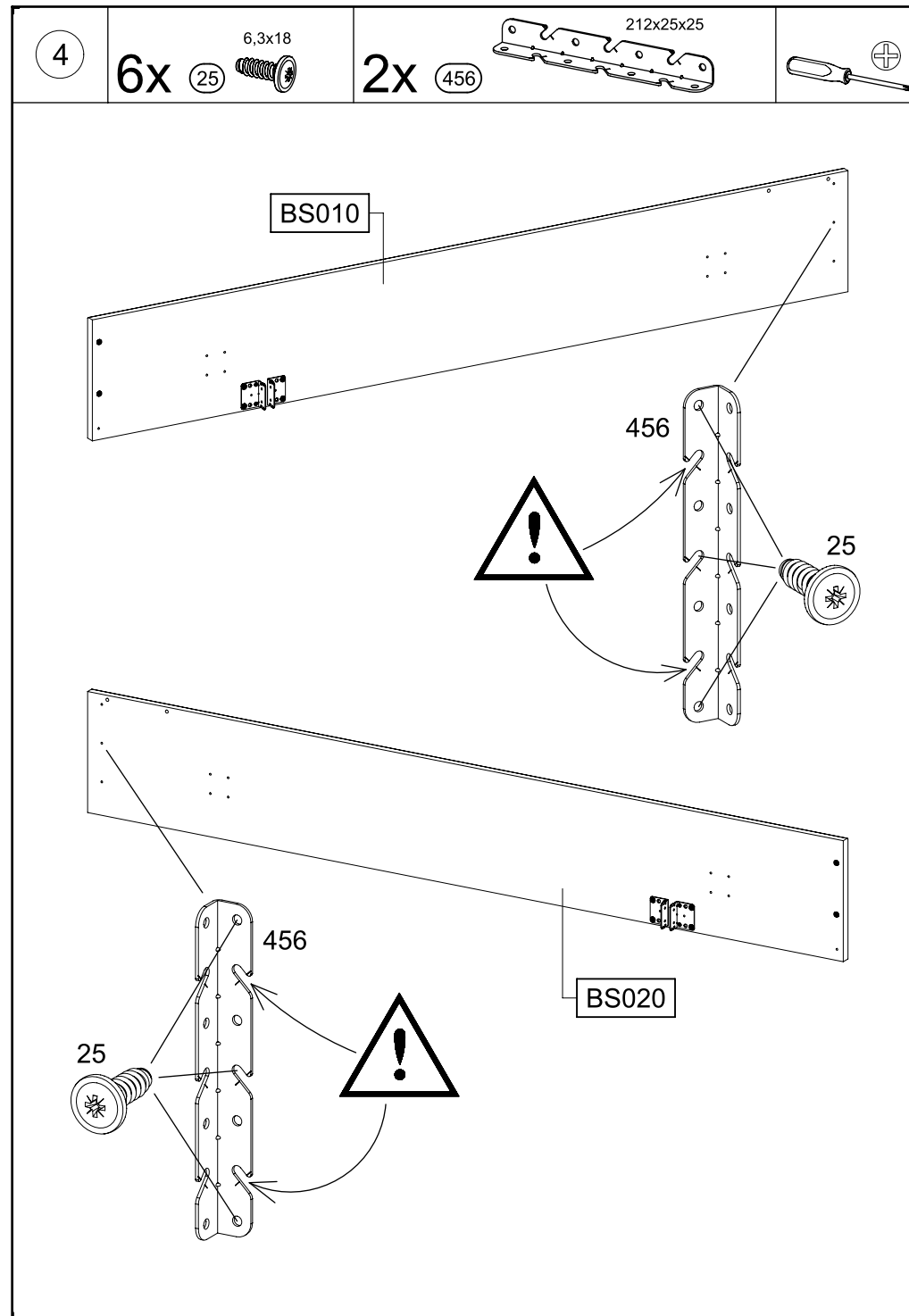
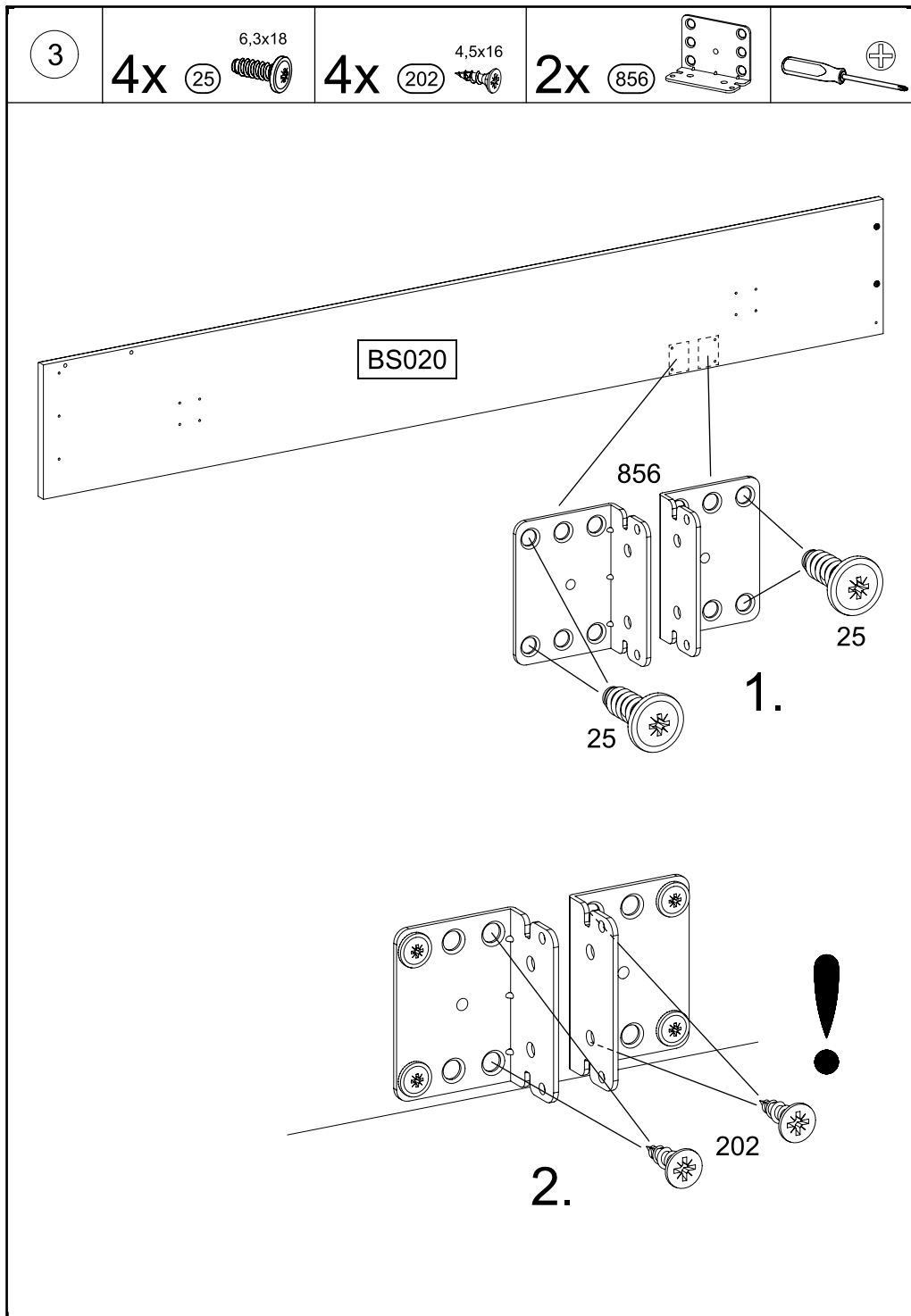
M2887_01

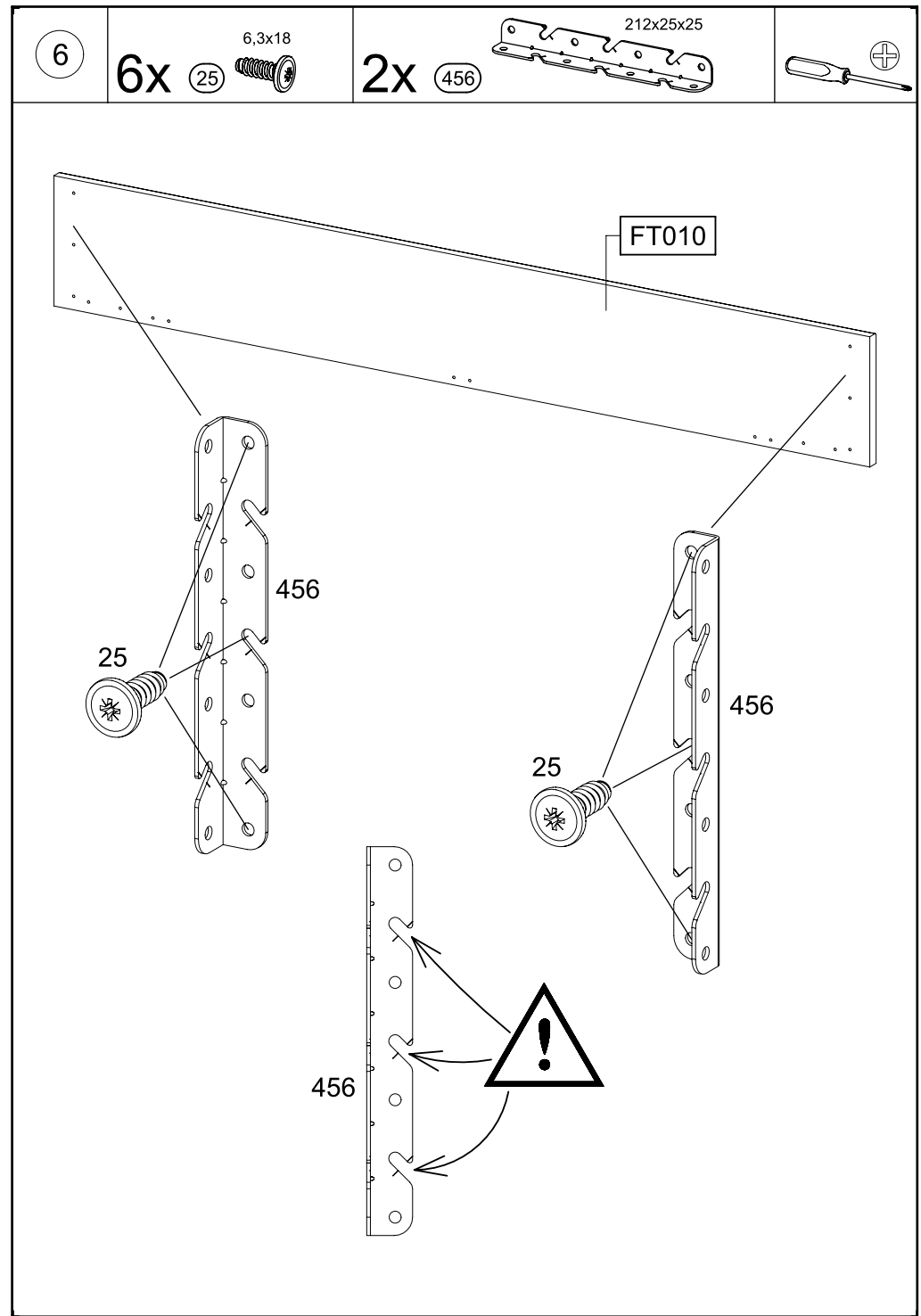
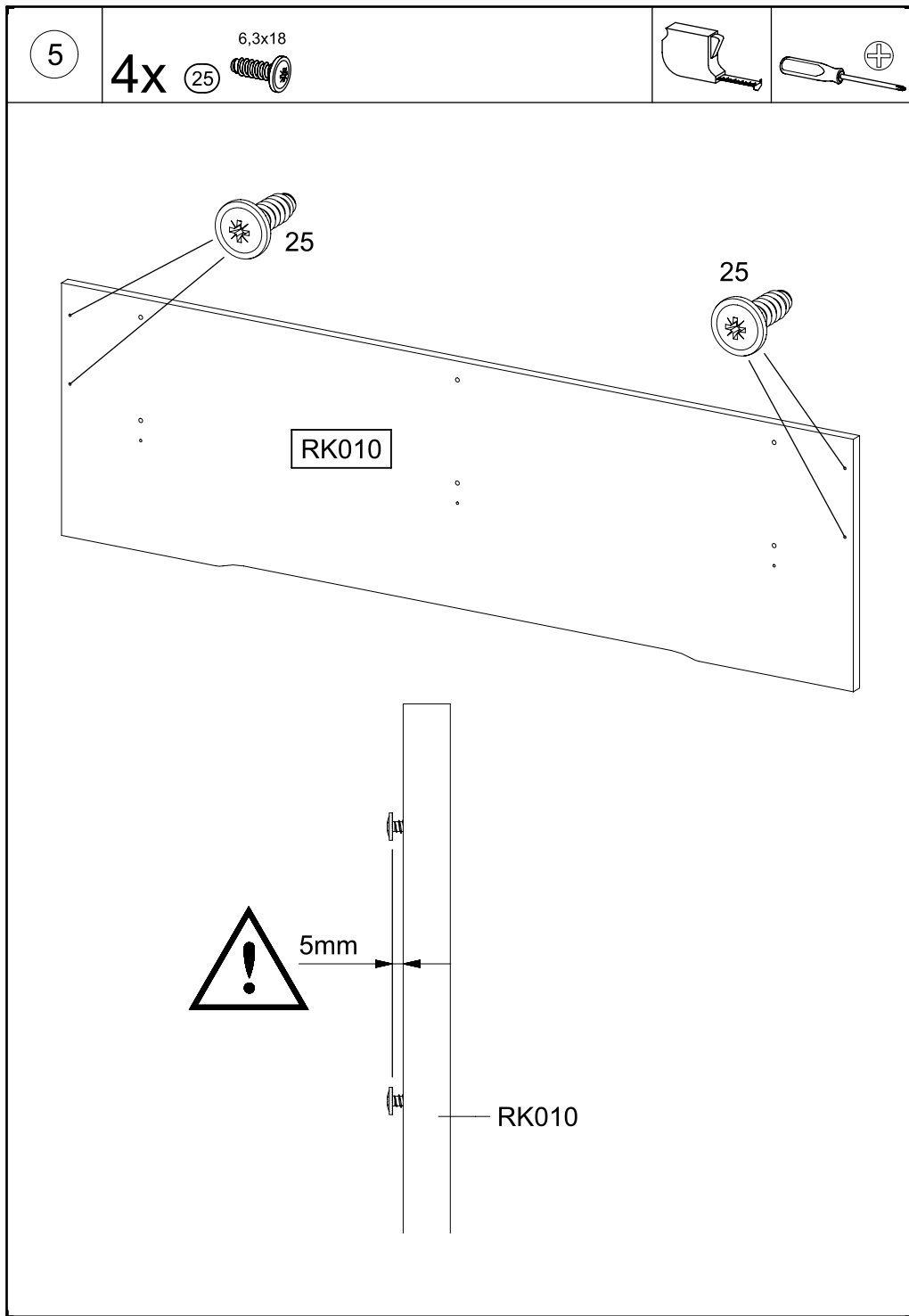


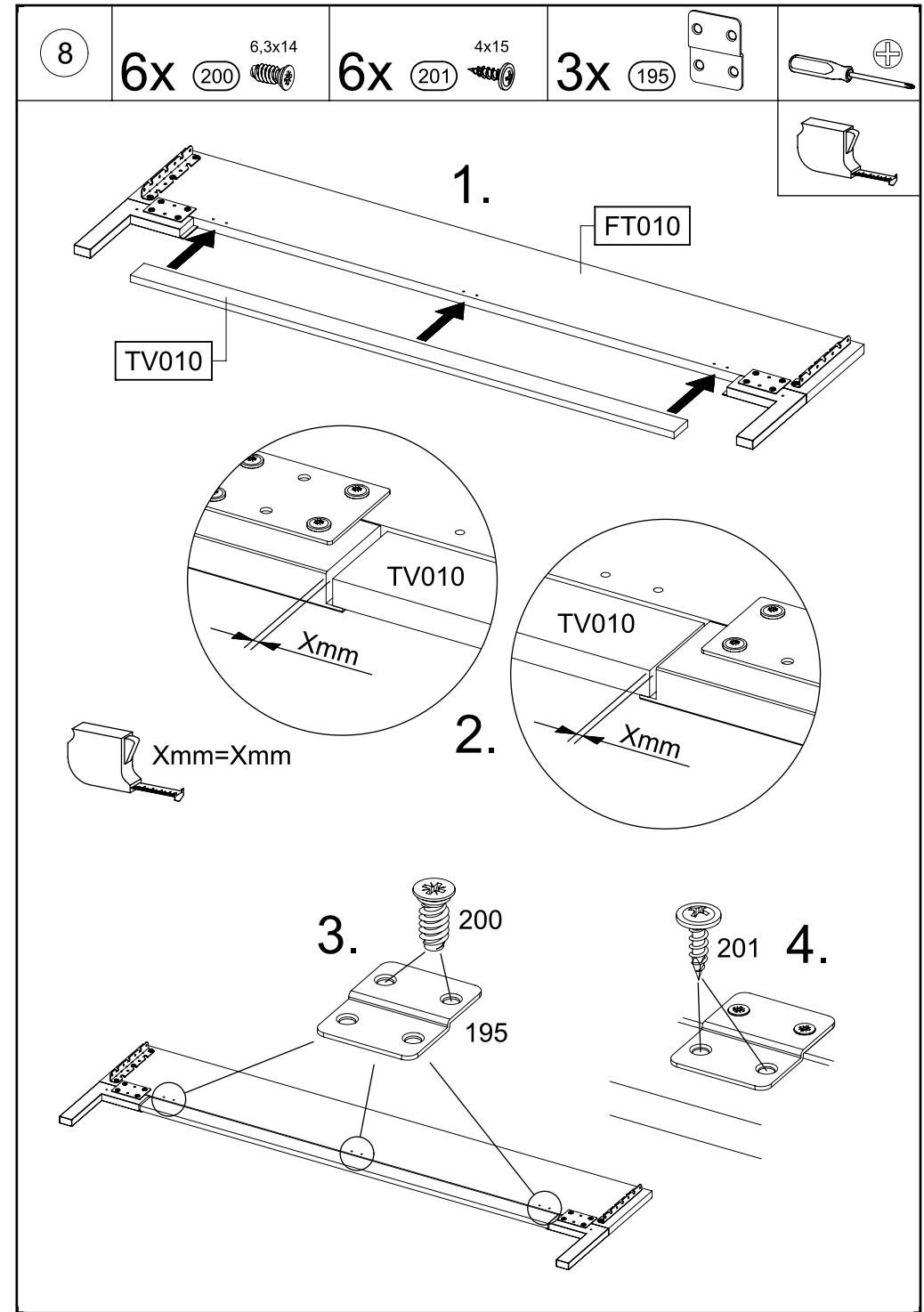
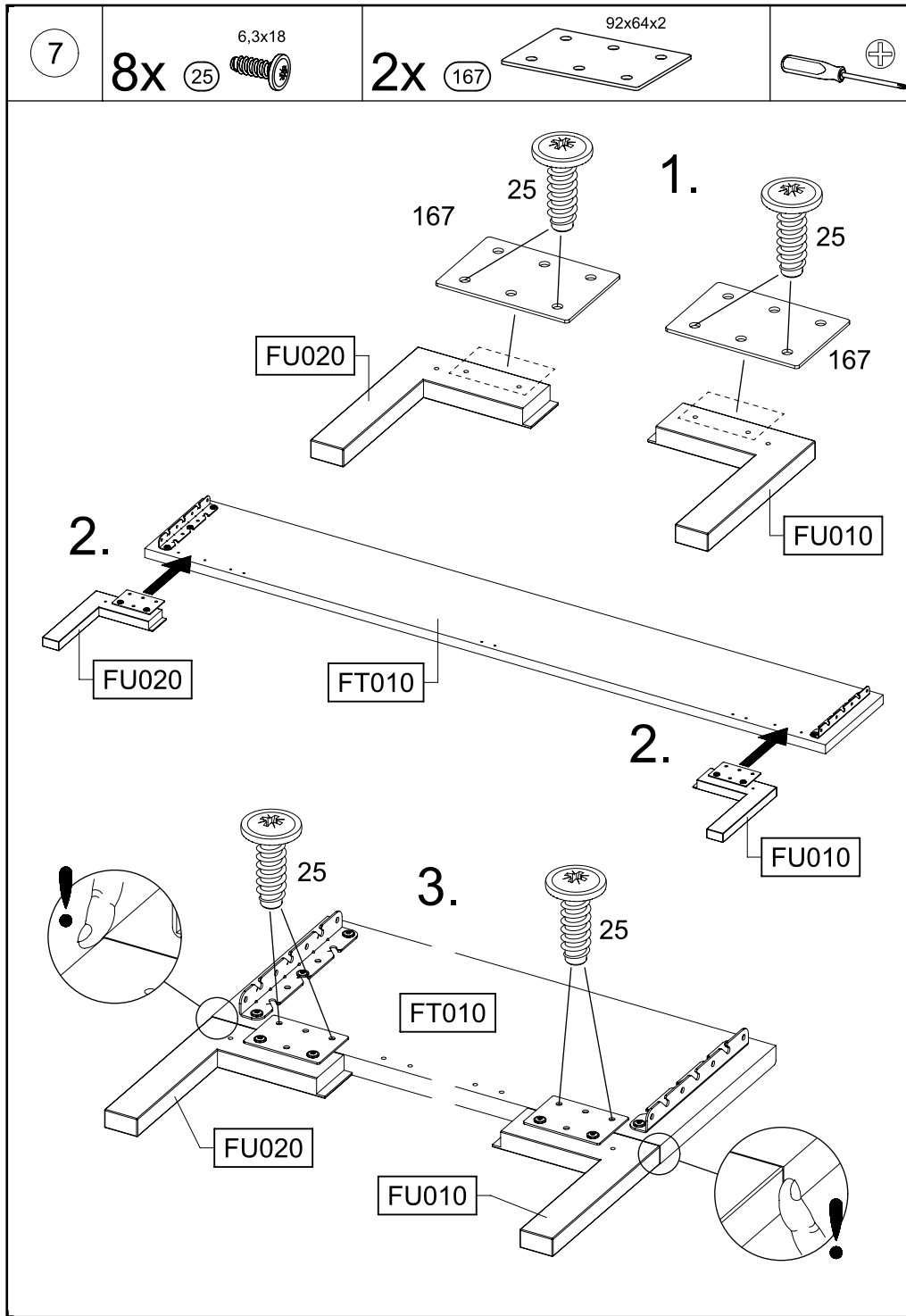
4x 856 	3x 195 	2x 197
2x 167 	40x 25 6,3x18 	14x 200 6,3x14
30x 202 4,5x16 	6x 547 4x35 	6x 201 4x15
3x 14 	6x 149 M6 	6x 204 M6x30
6x 216 6,3x32 	4x 56 M4x32 	4x 176 M4
6x 427 4x20 	4x 456 212x25x25 	4x 698
2x 1118 	2x 1119 	

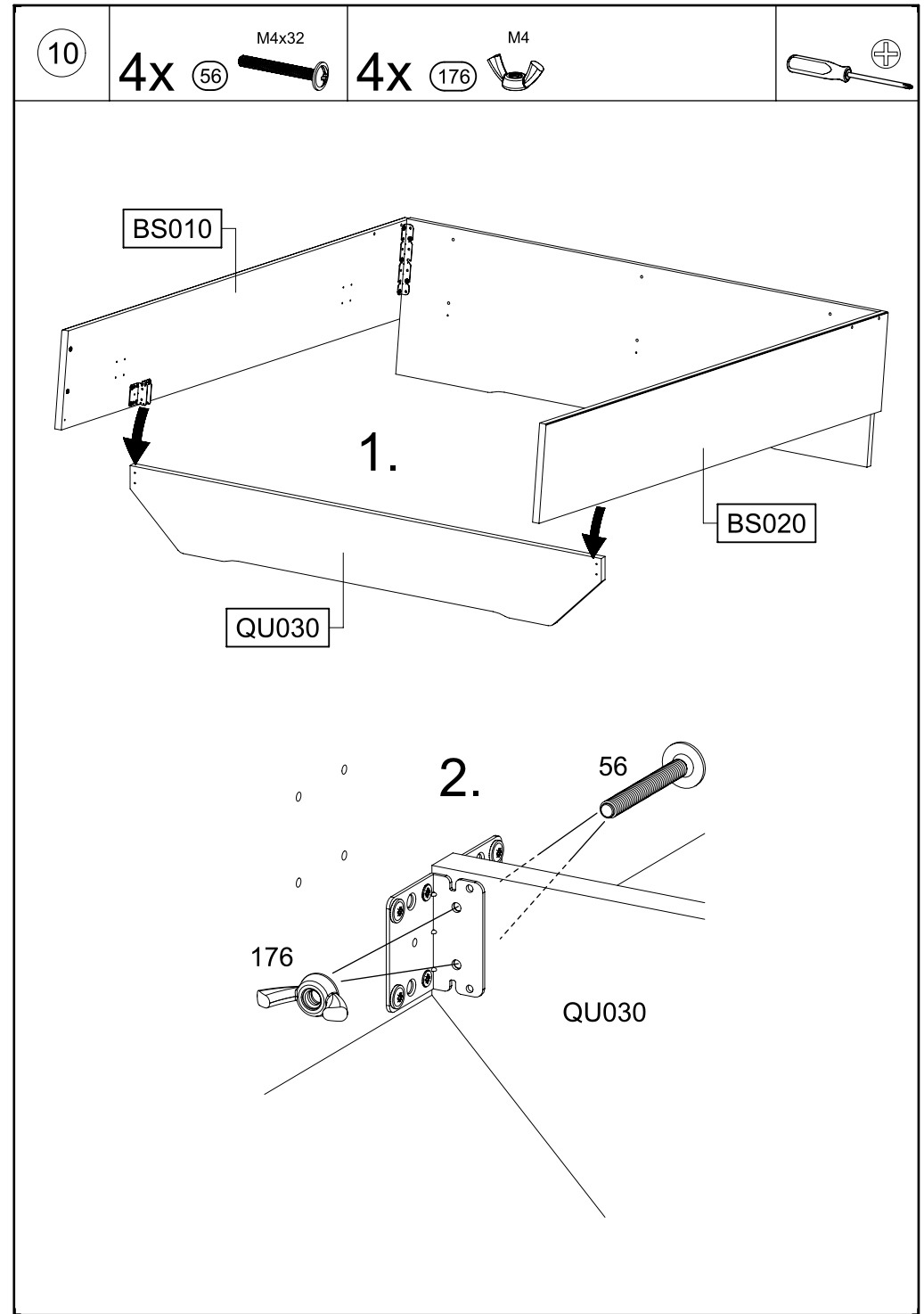
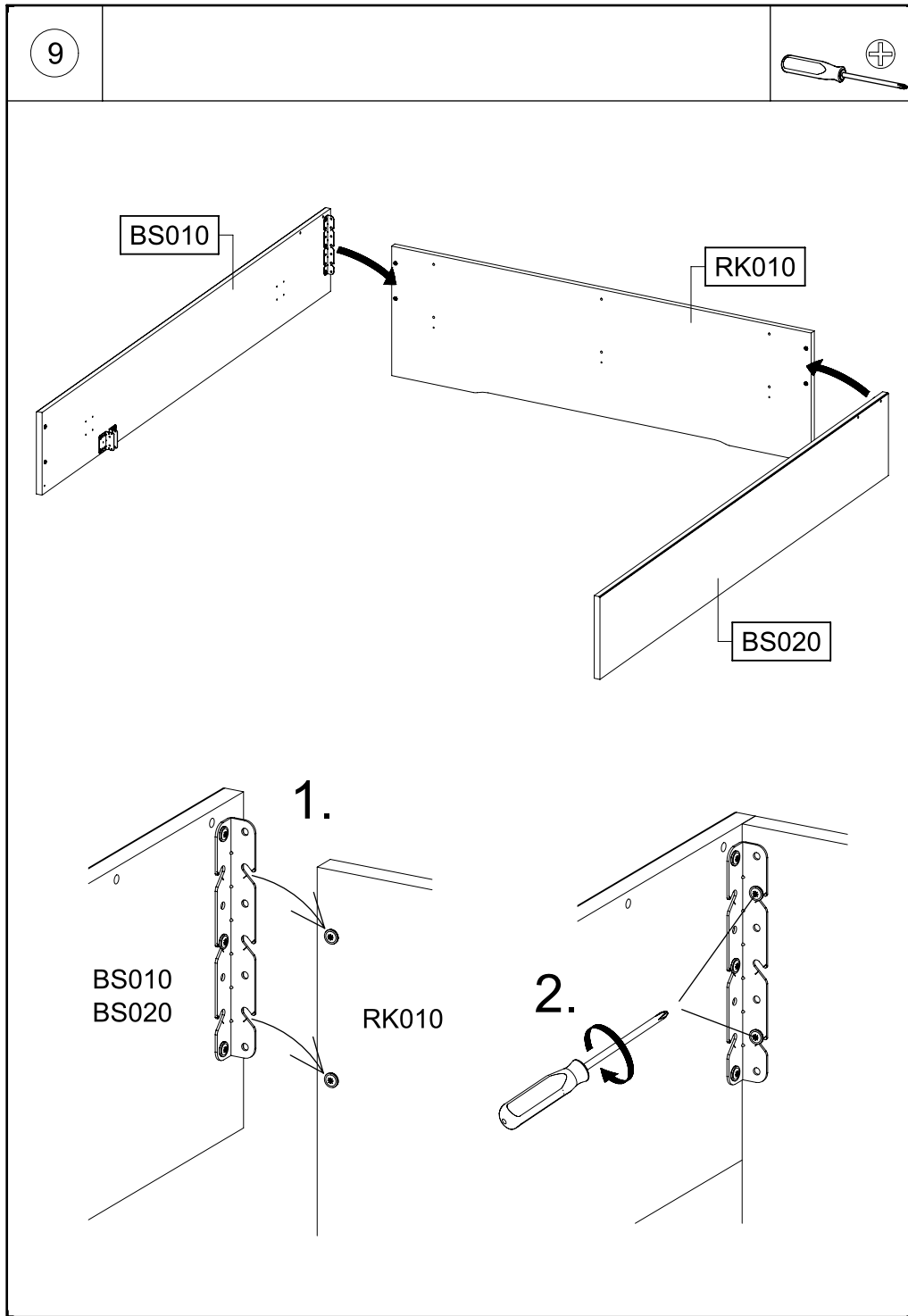




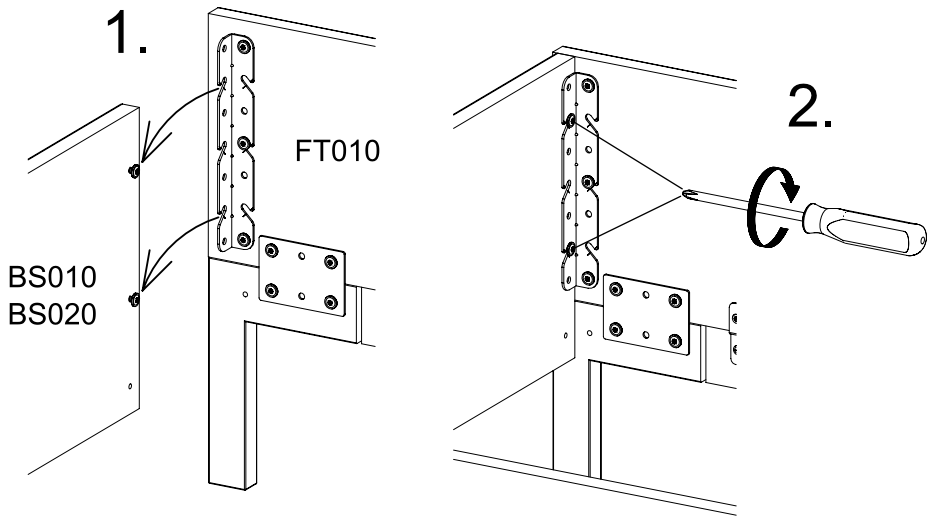
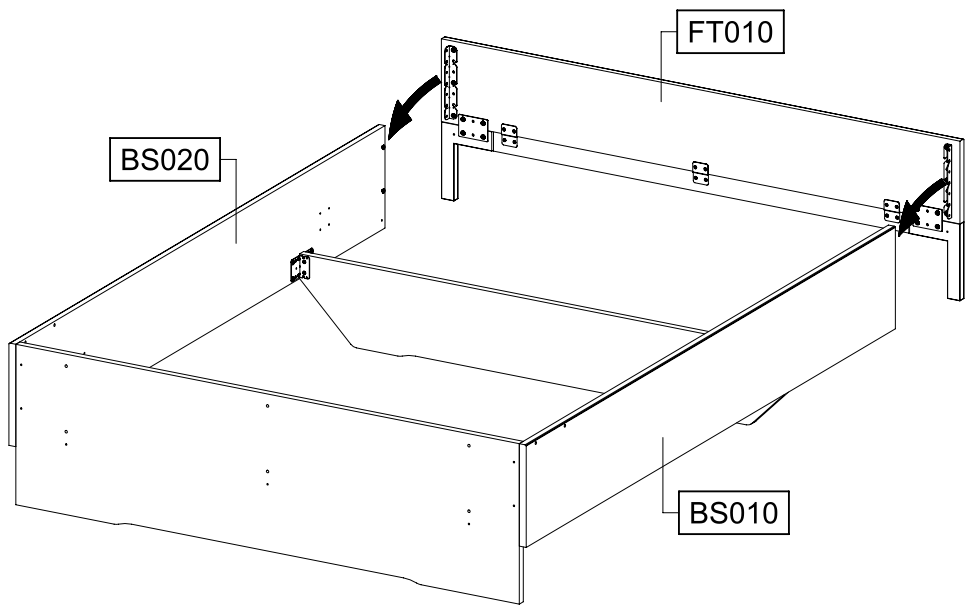
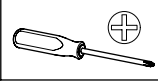








11



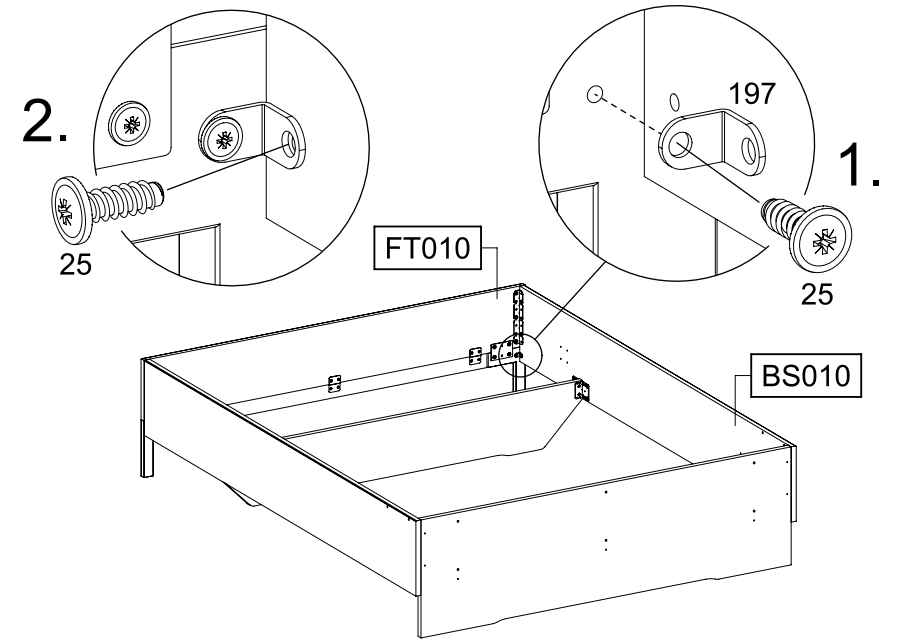
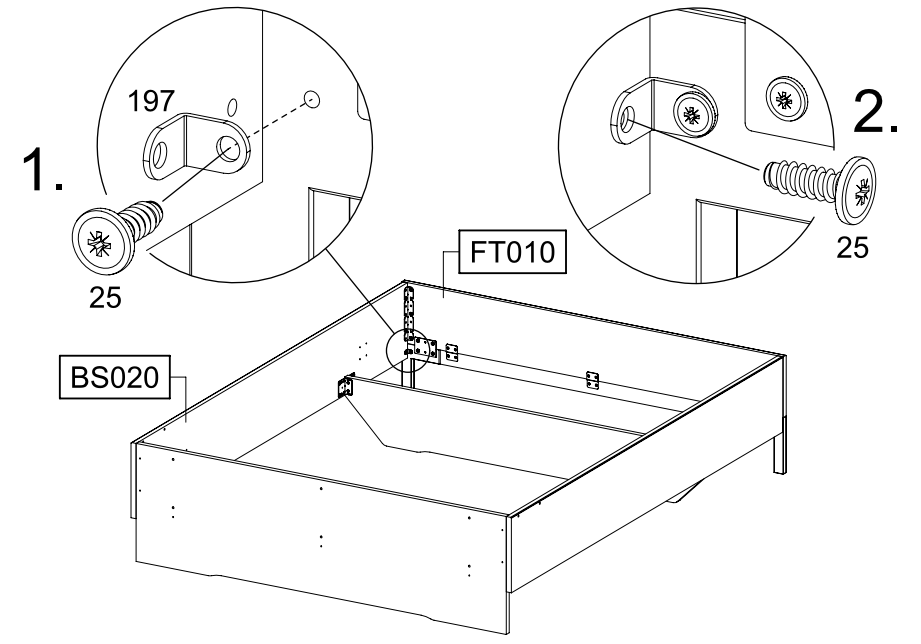
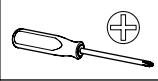
12

2x 197



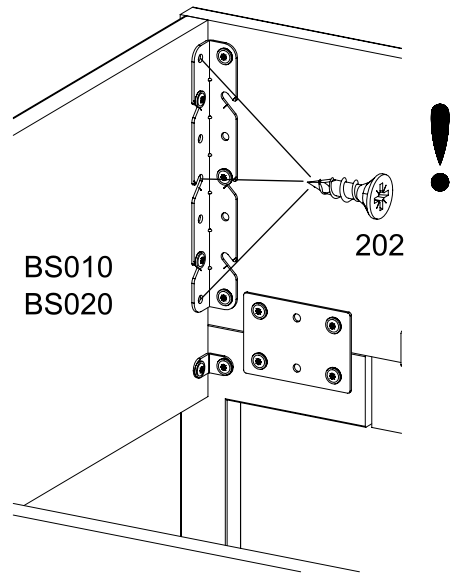
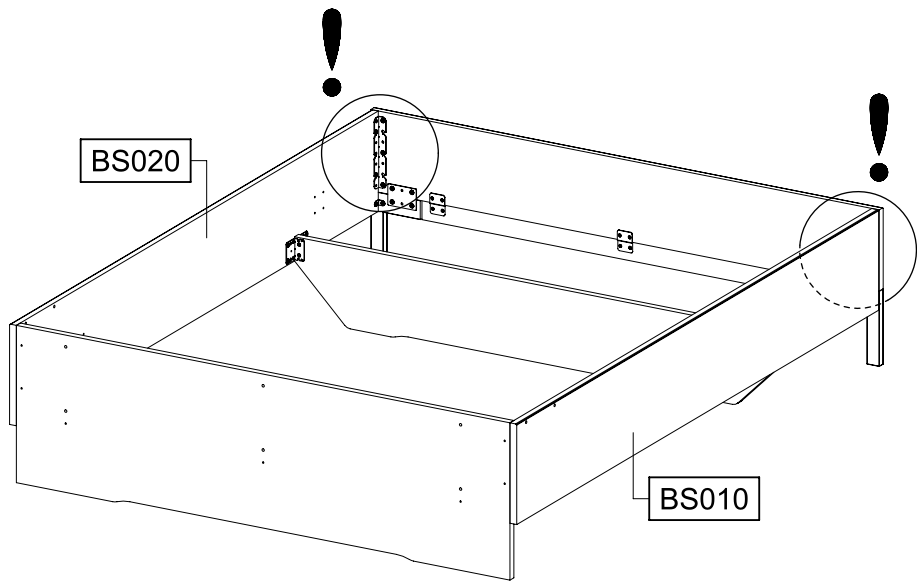
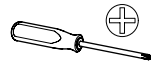
4x 25

6,3x18



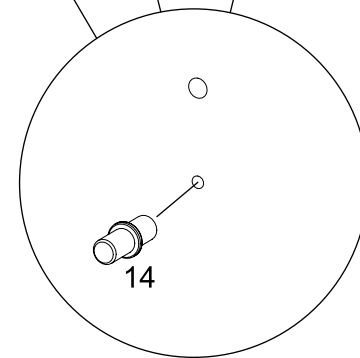
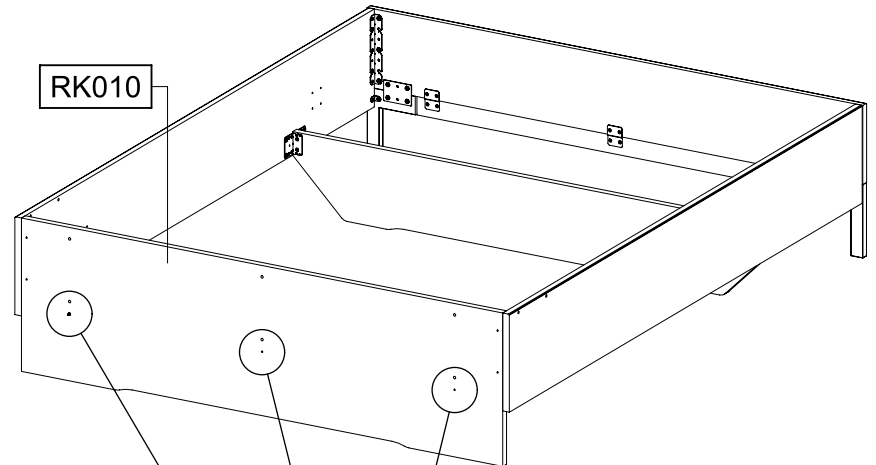
13

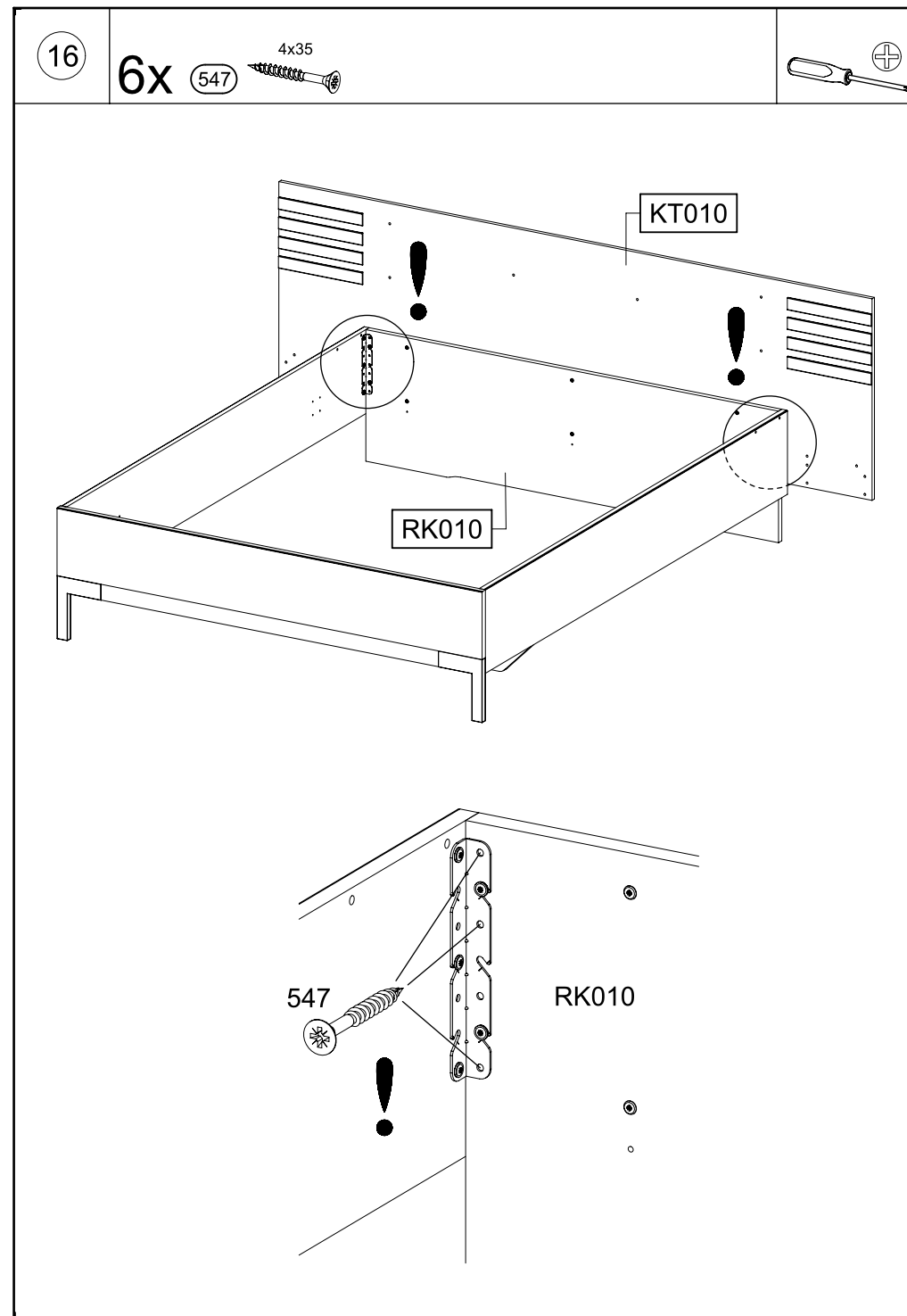
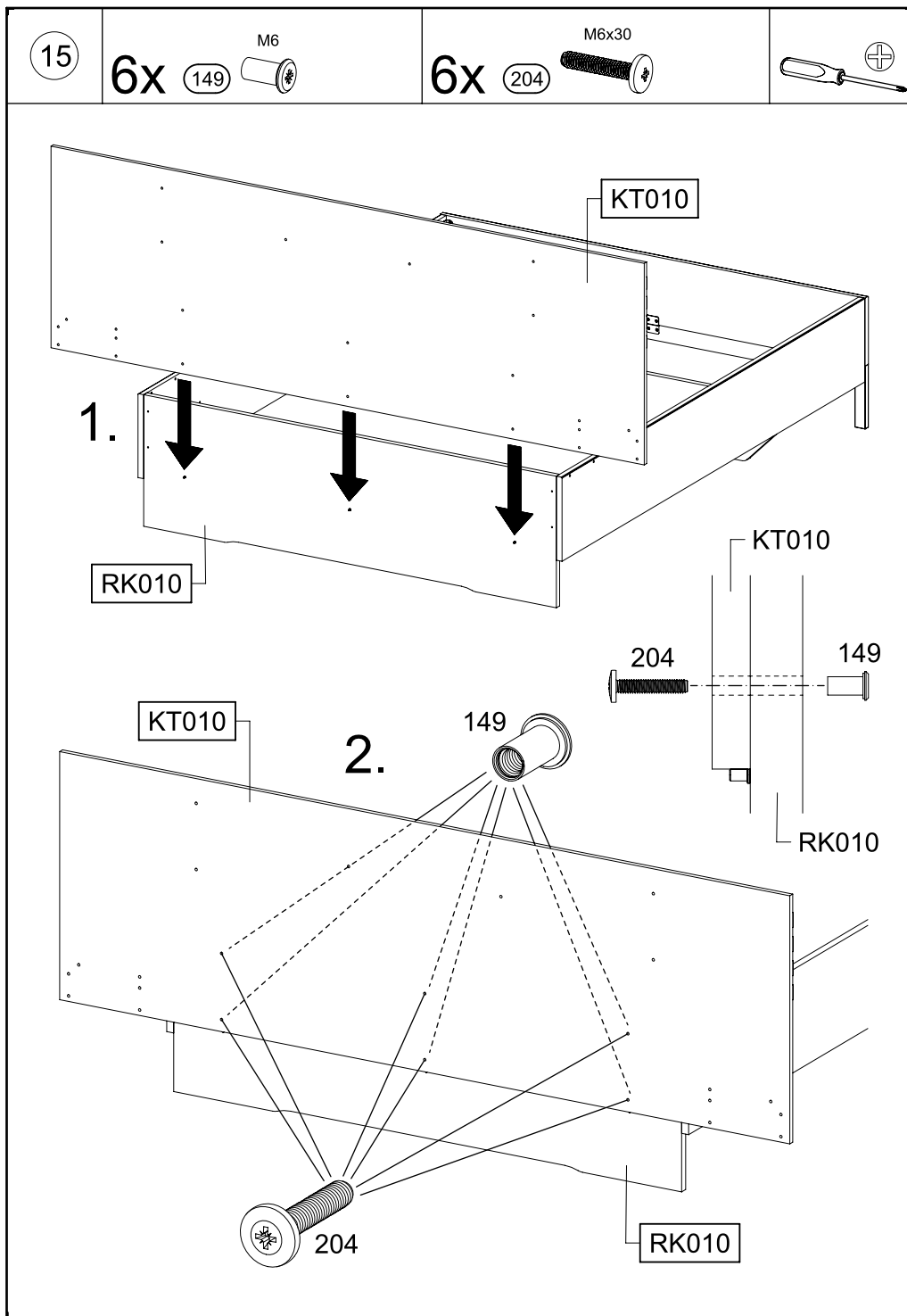
6x 202 4,5x16



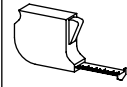
14

3x 14

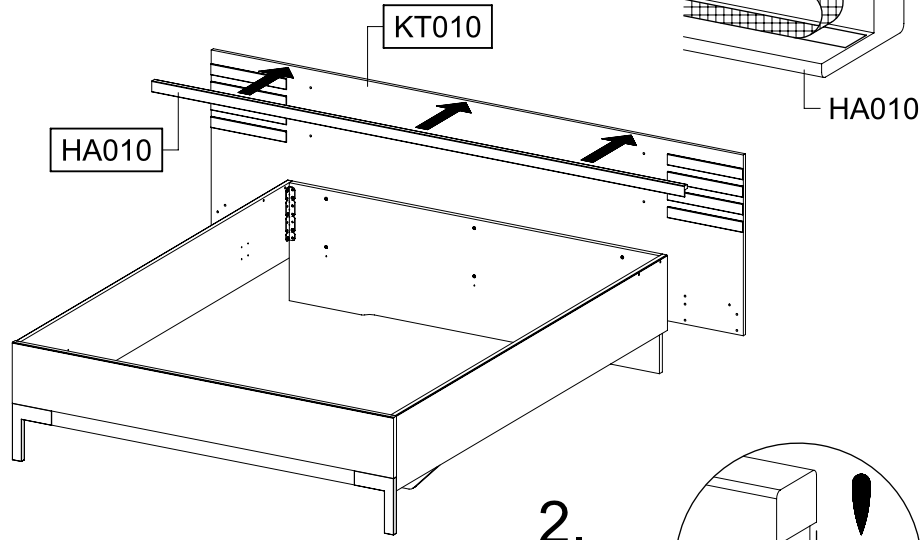
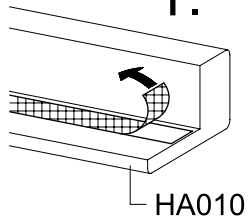




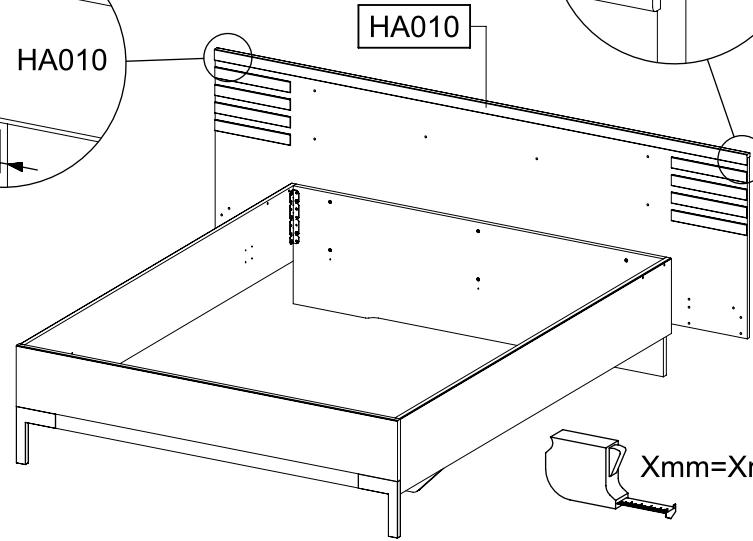
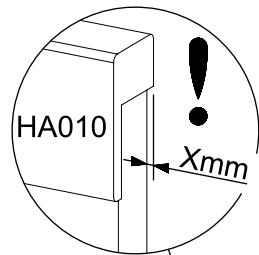
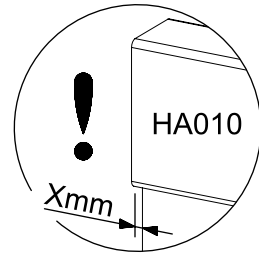
17



1.



2.

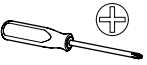
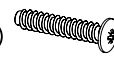


18

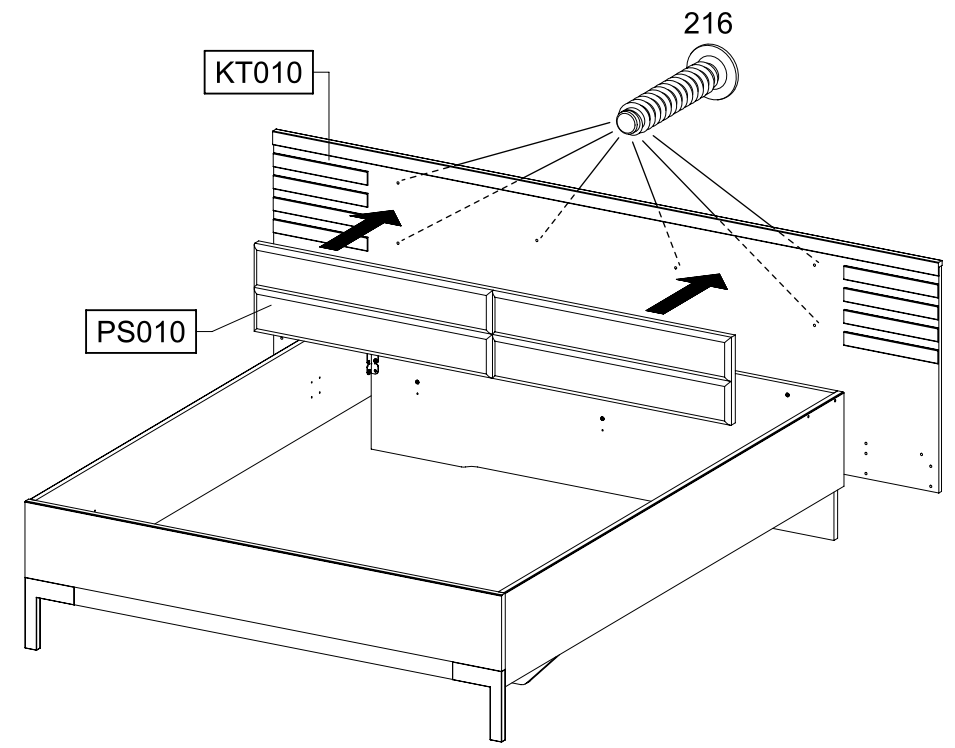
6x

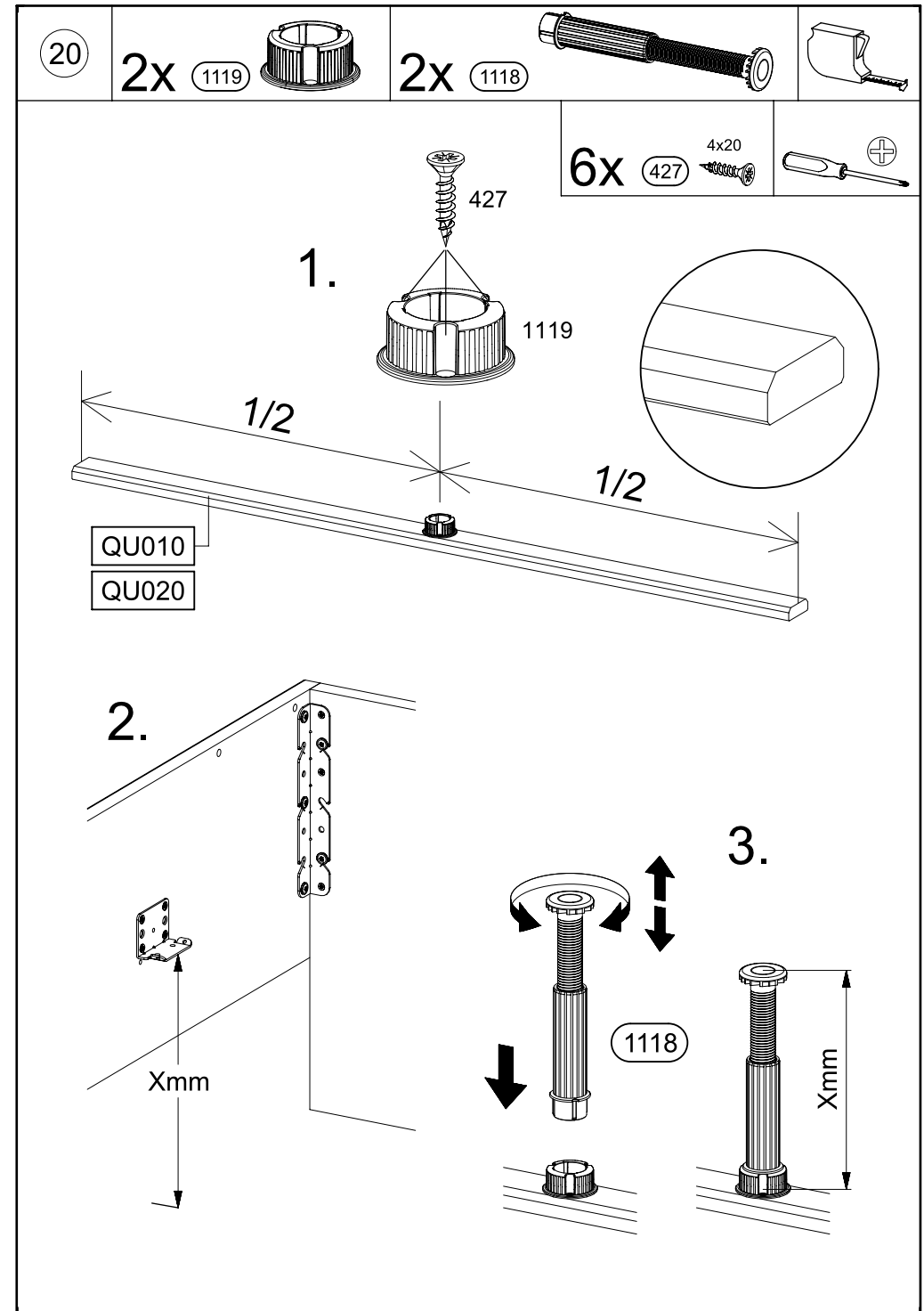
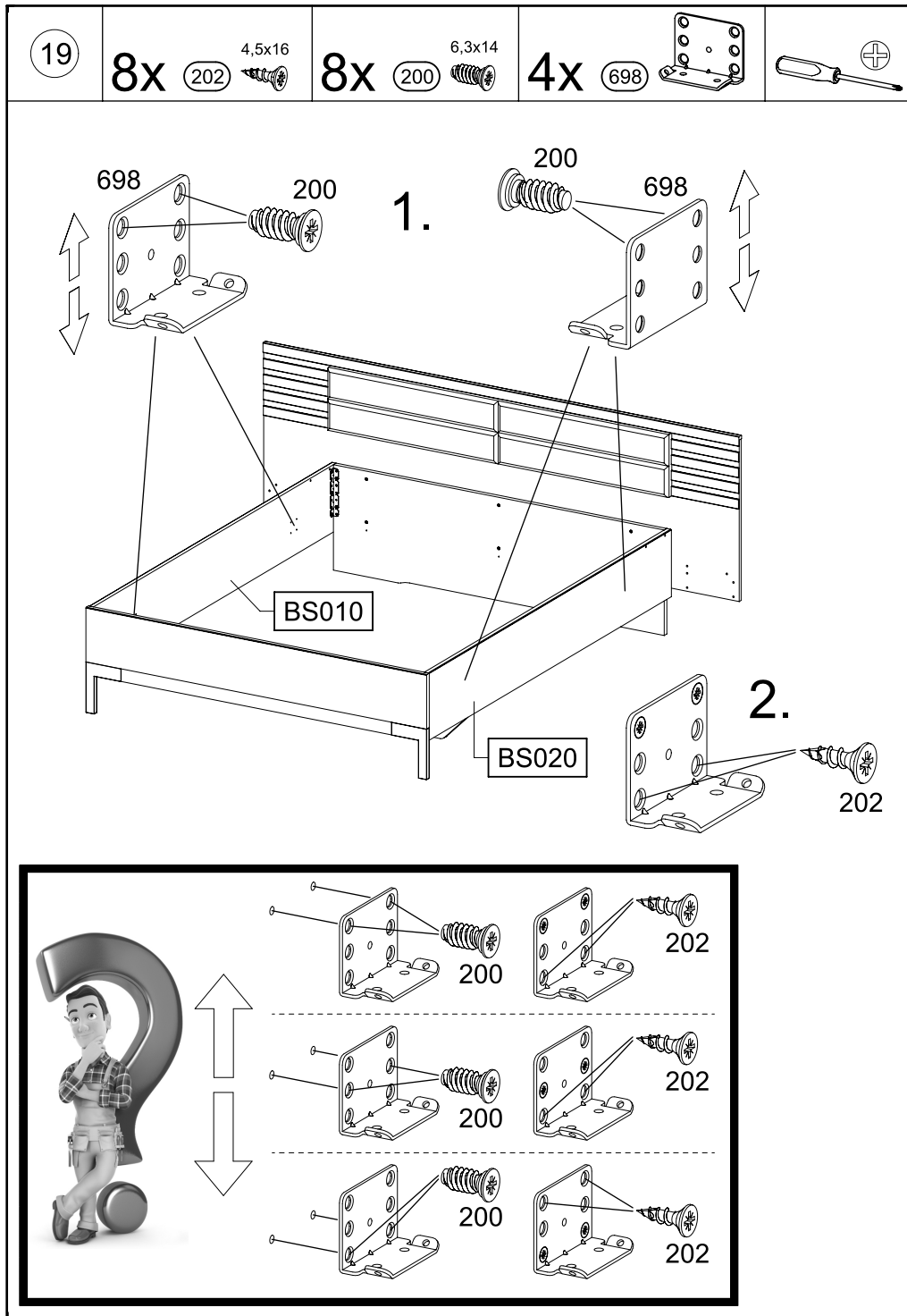
216

6,3x32



216



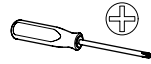


21

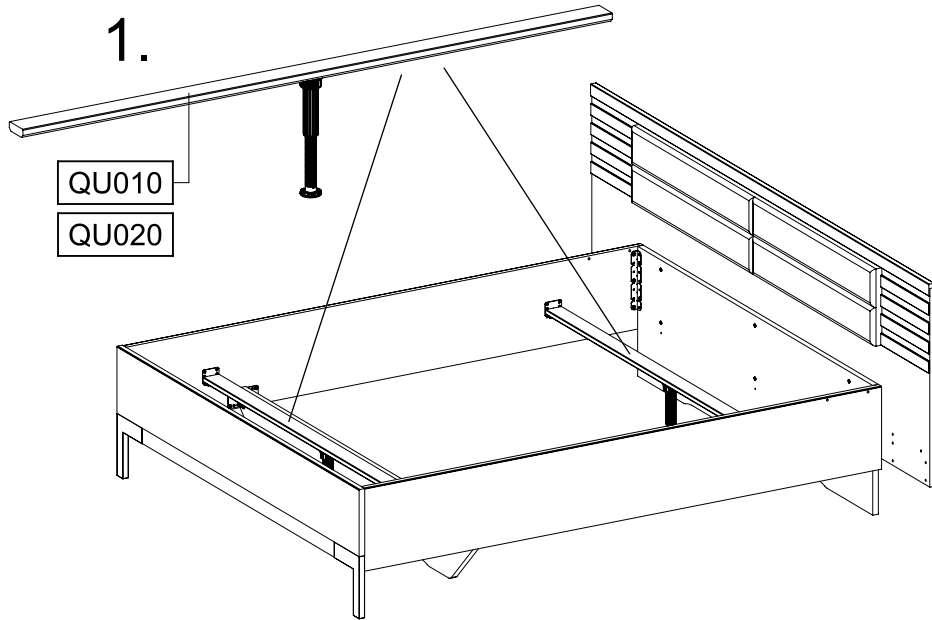
8x

202

4,5x16

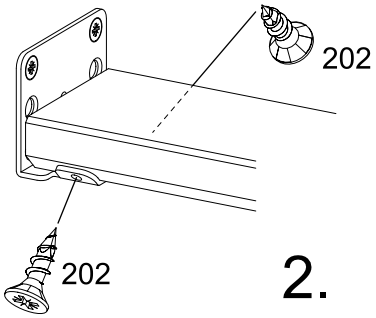


1.

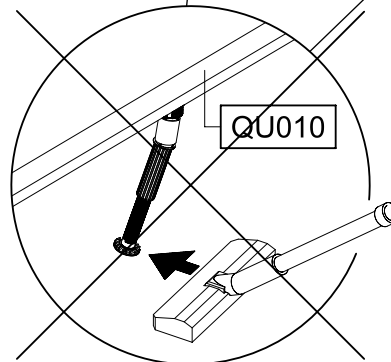
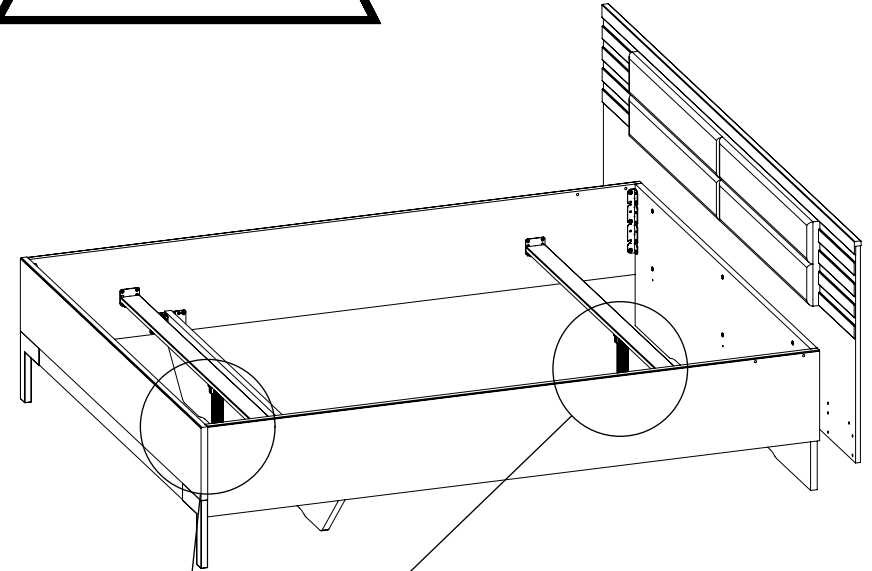
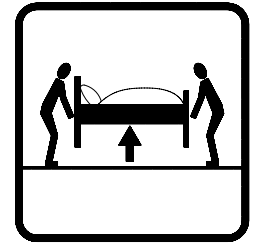
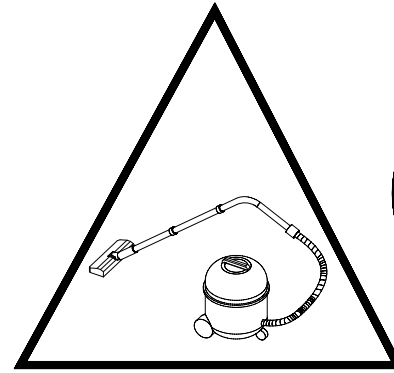
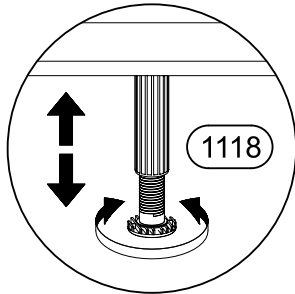
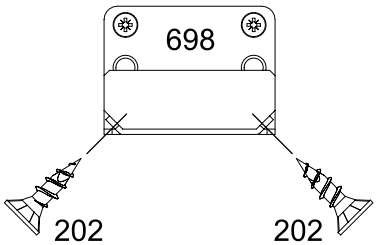


QU010

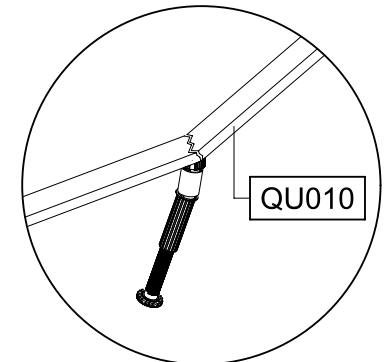
QU020



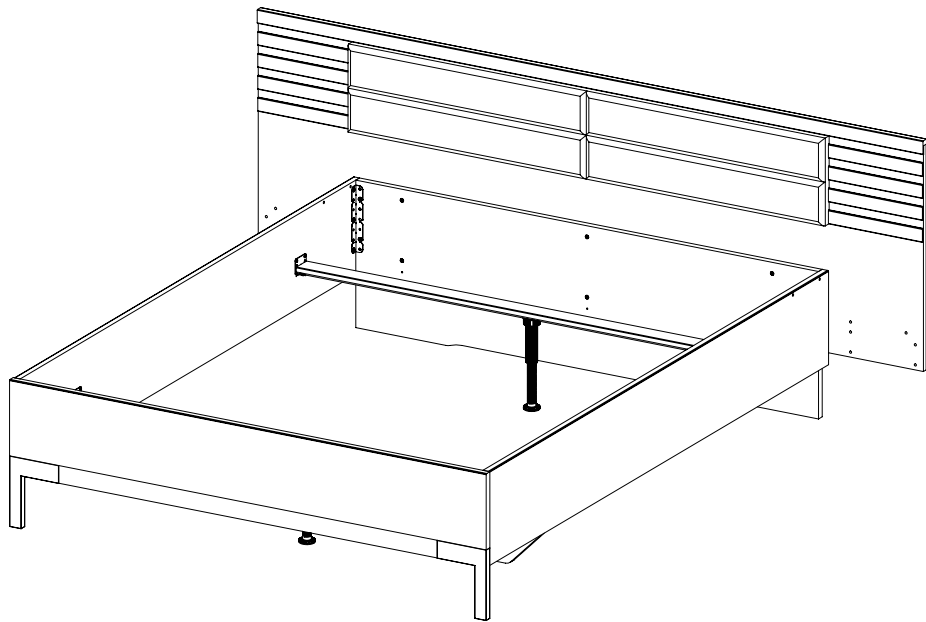
2.



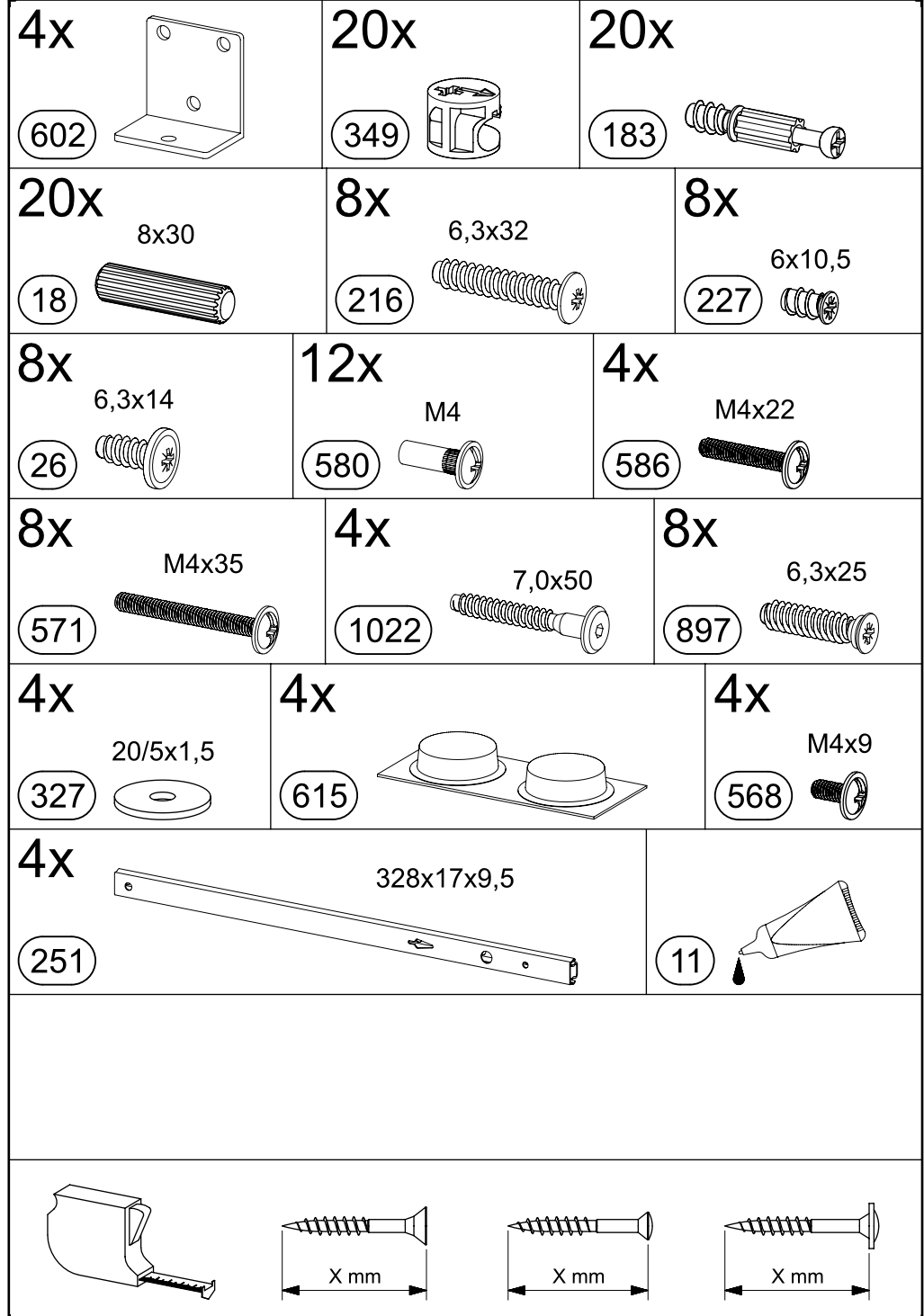
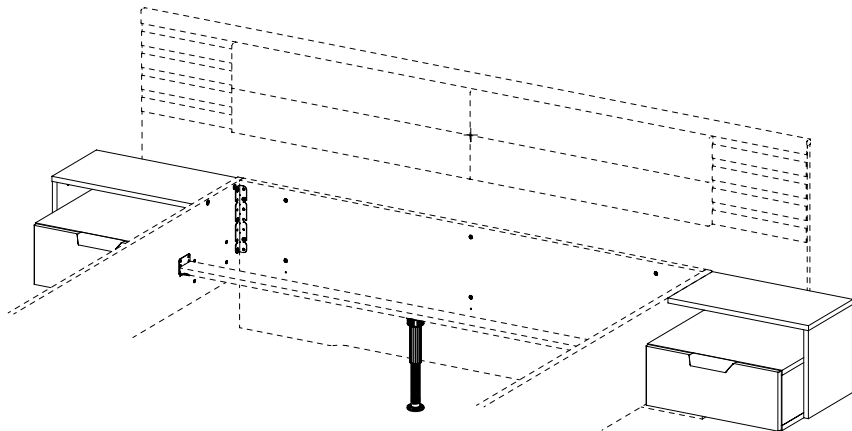
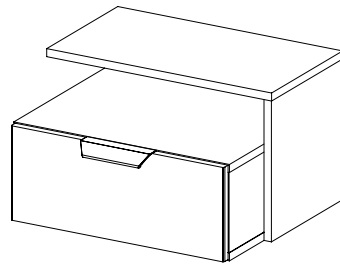
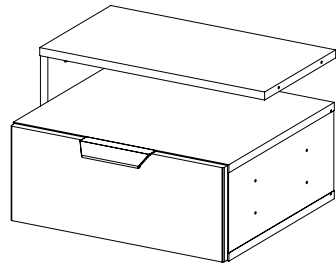
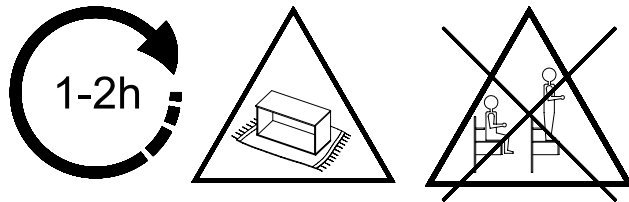
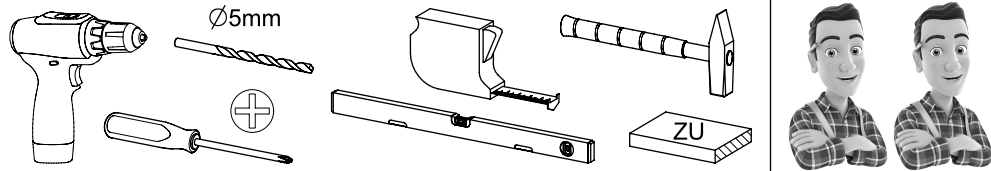
QU010

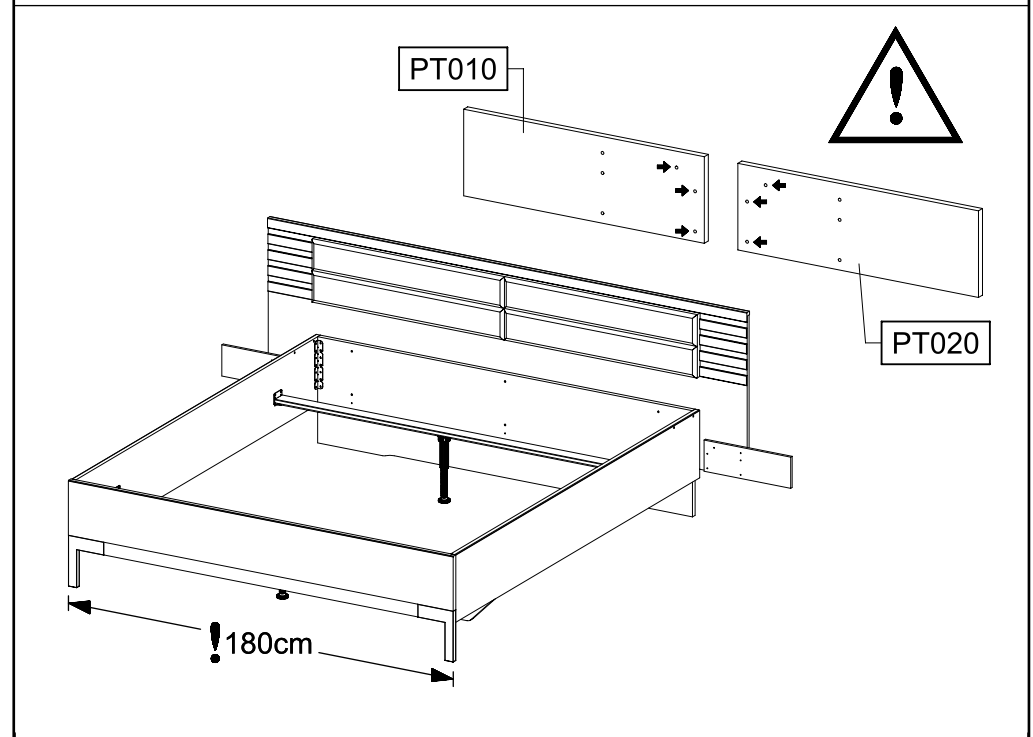
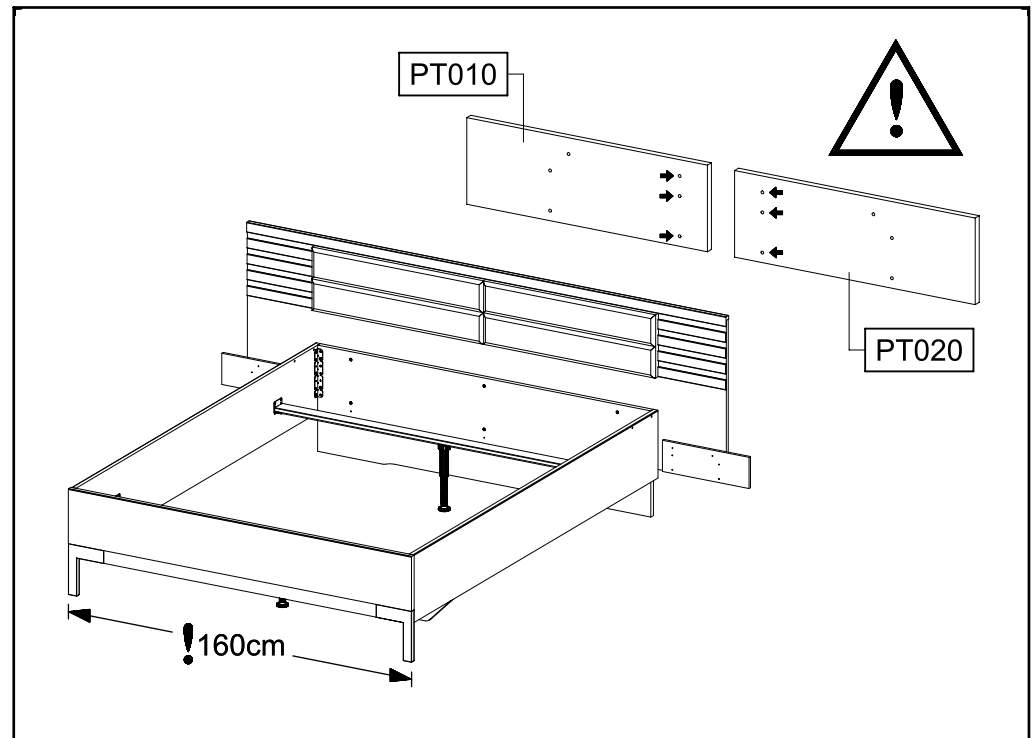
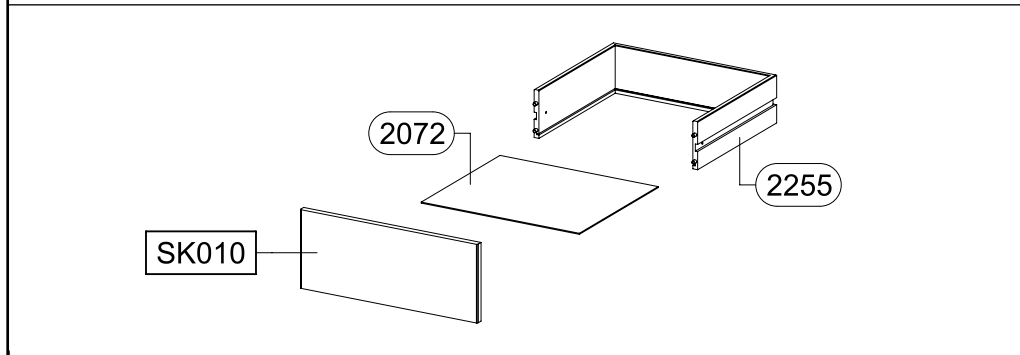
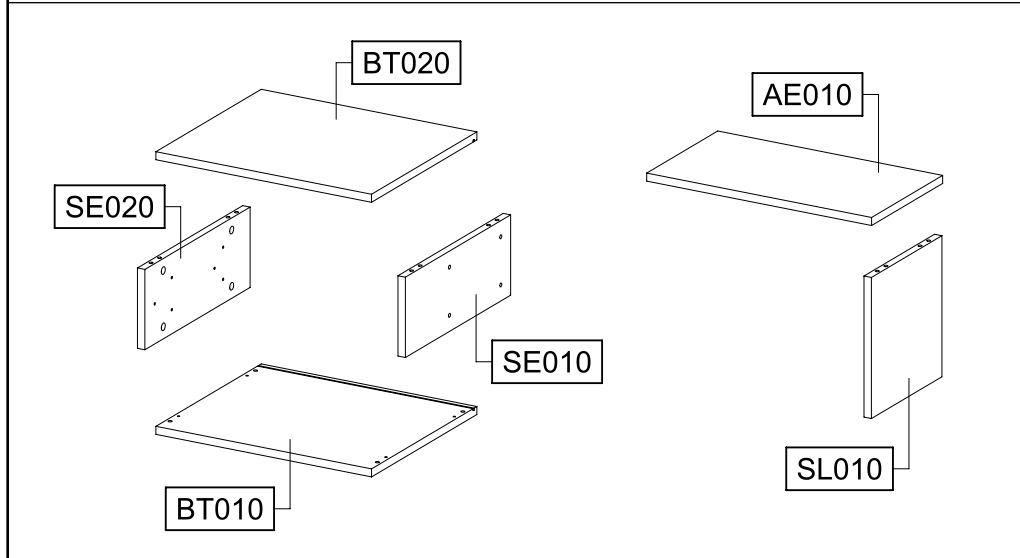
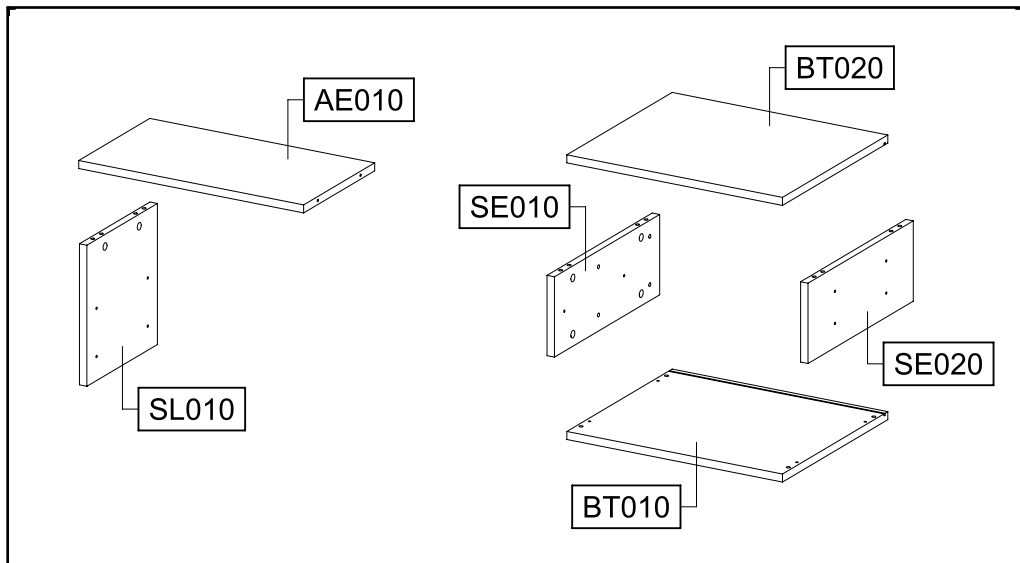


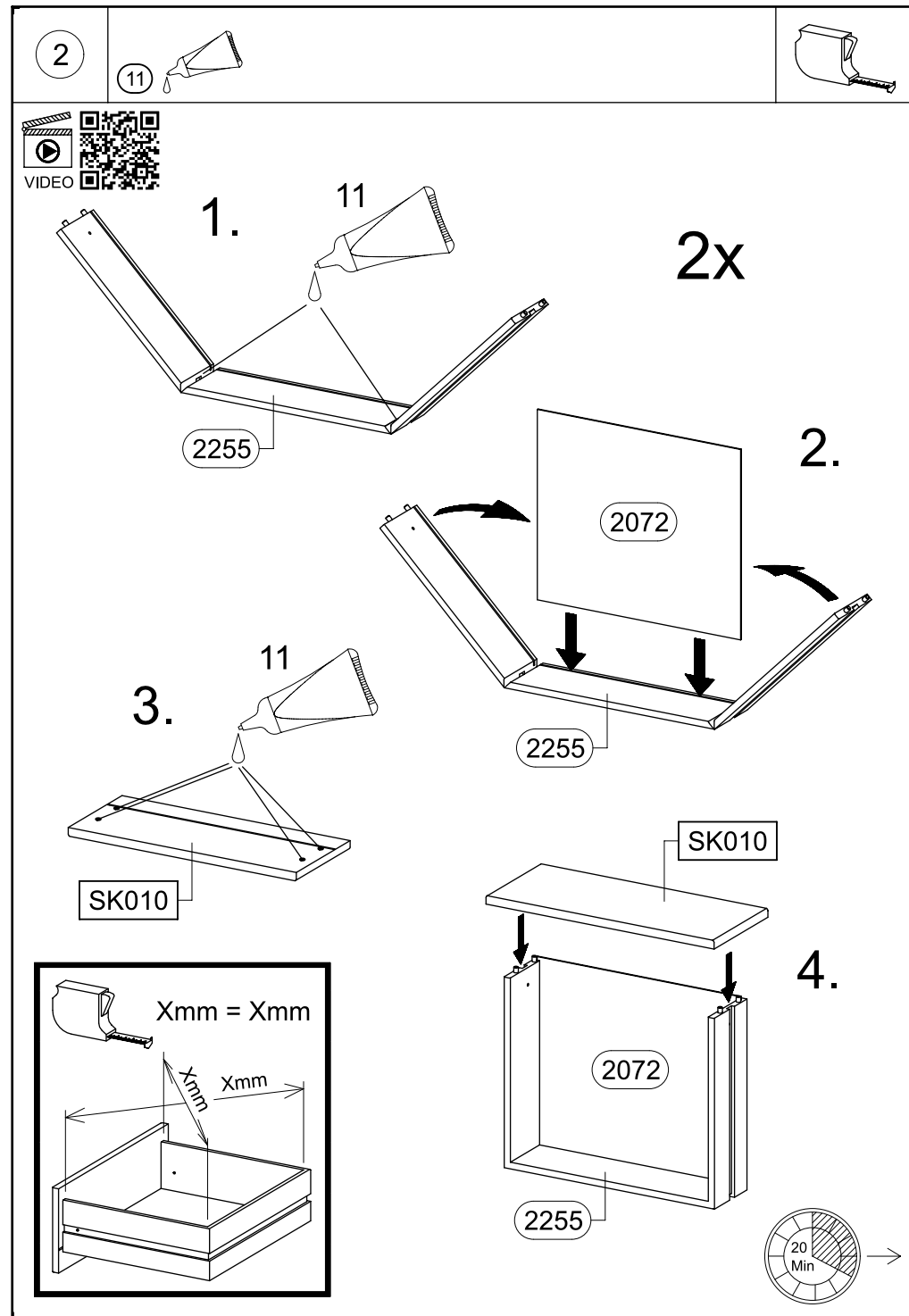
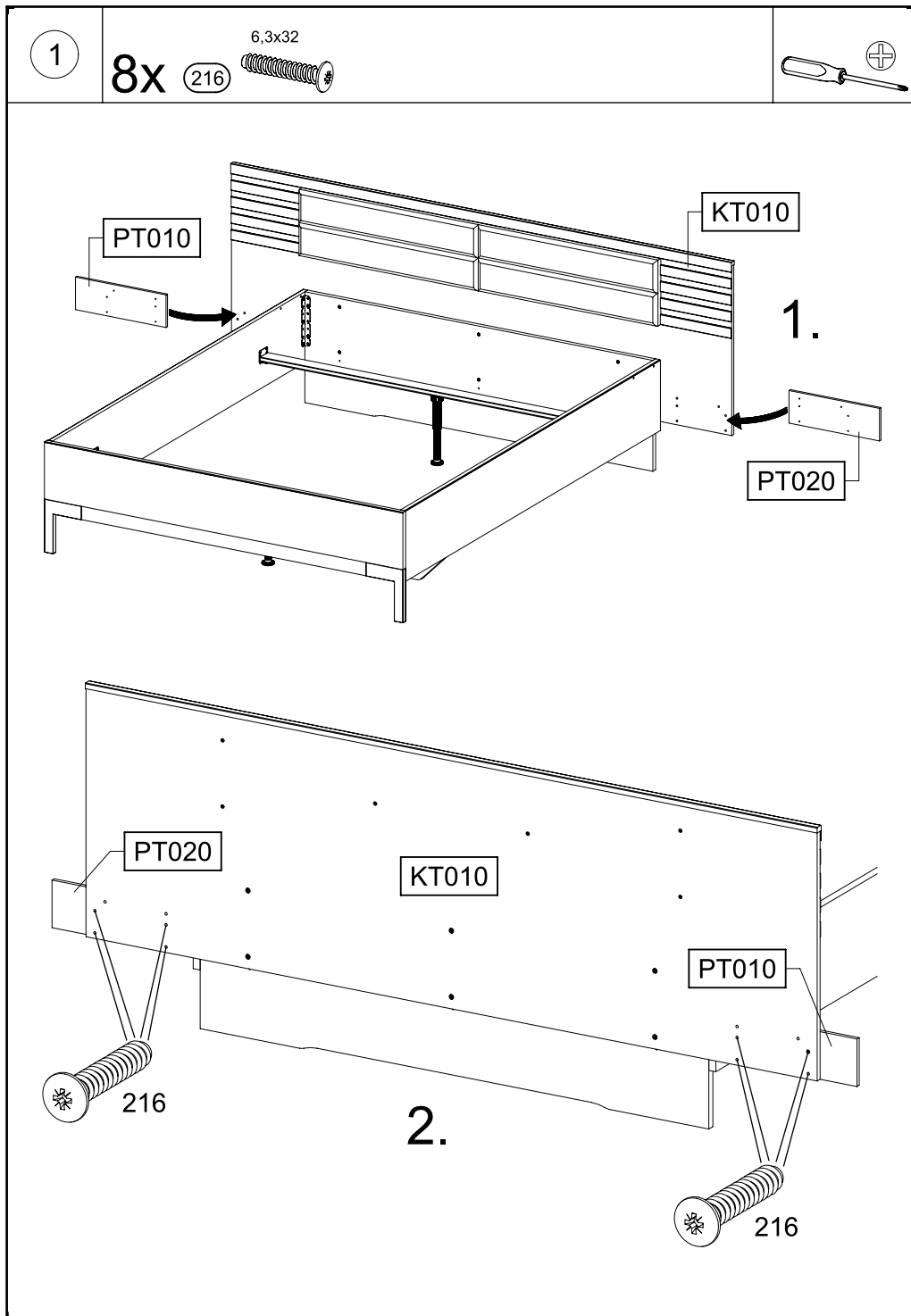
QU010



M2888_01







3

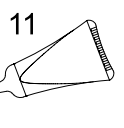
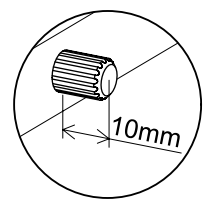
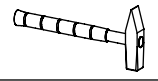
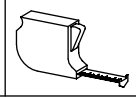
16x

18

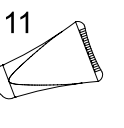
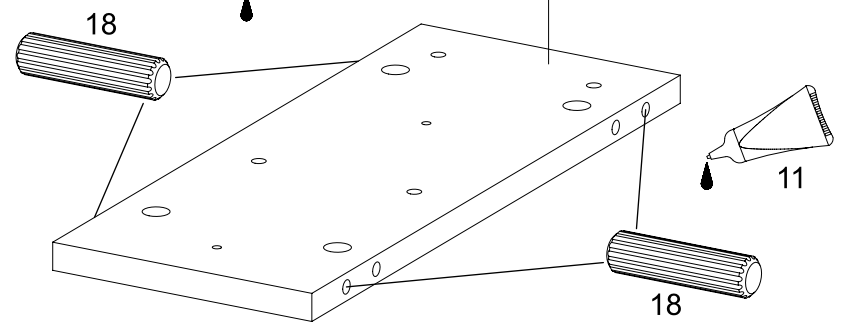


8x30

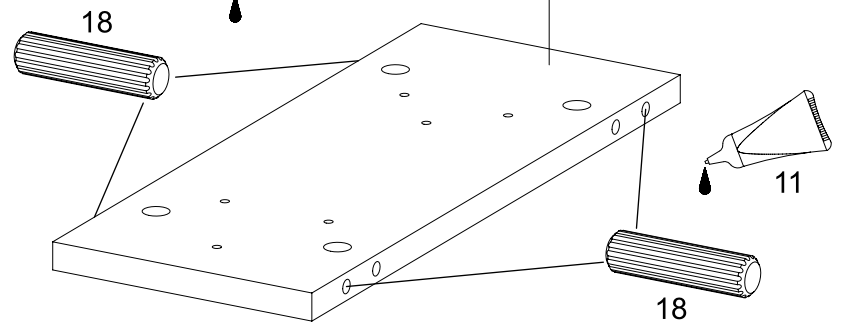
11



SE010 2x



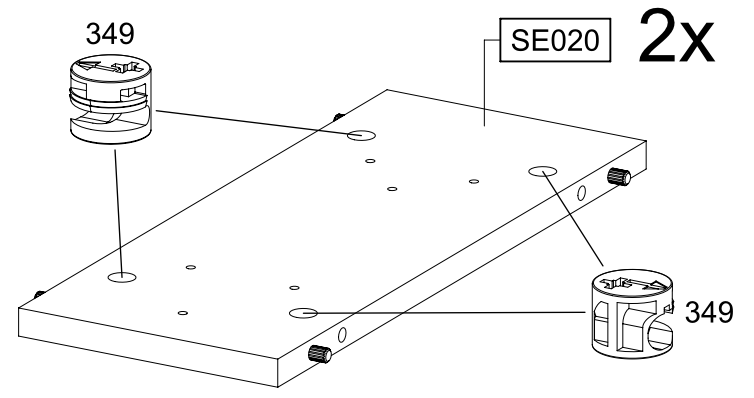
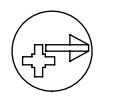
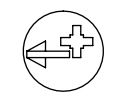
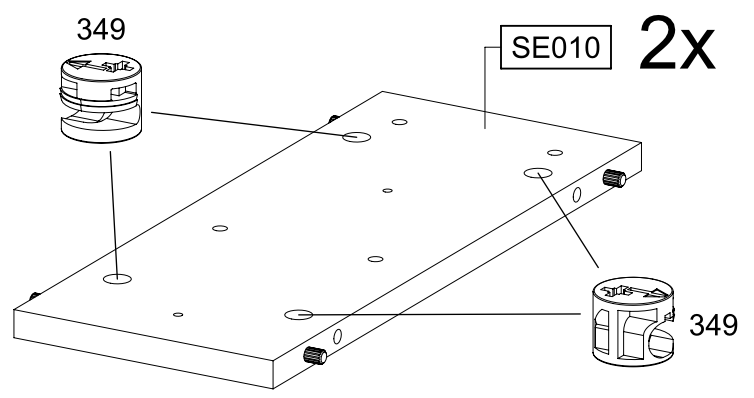
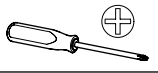
SE020 2x

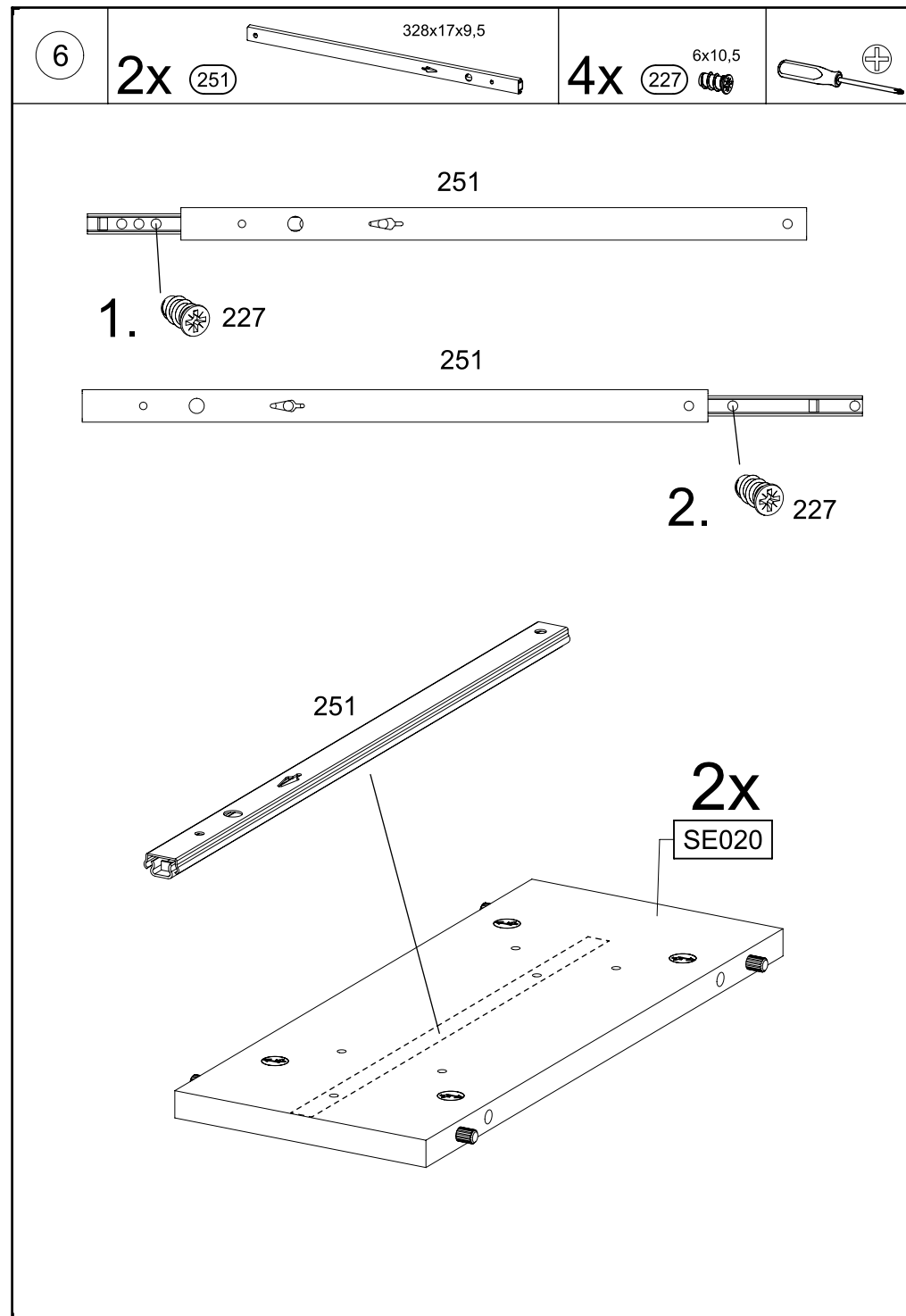
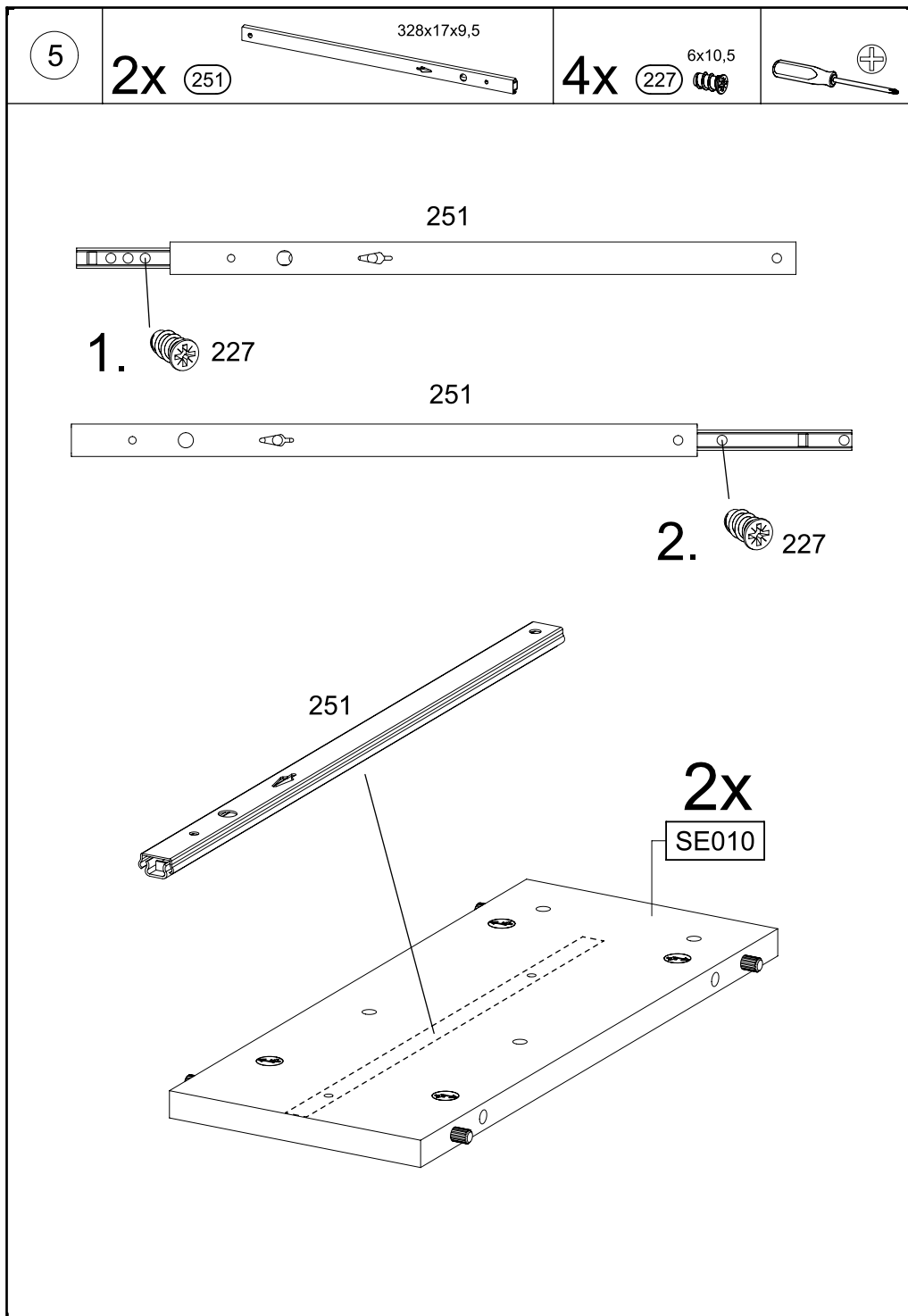


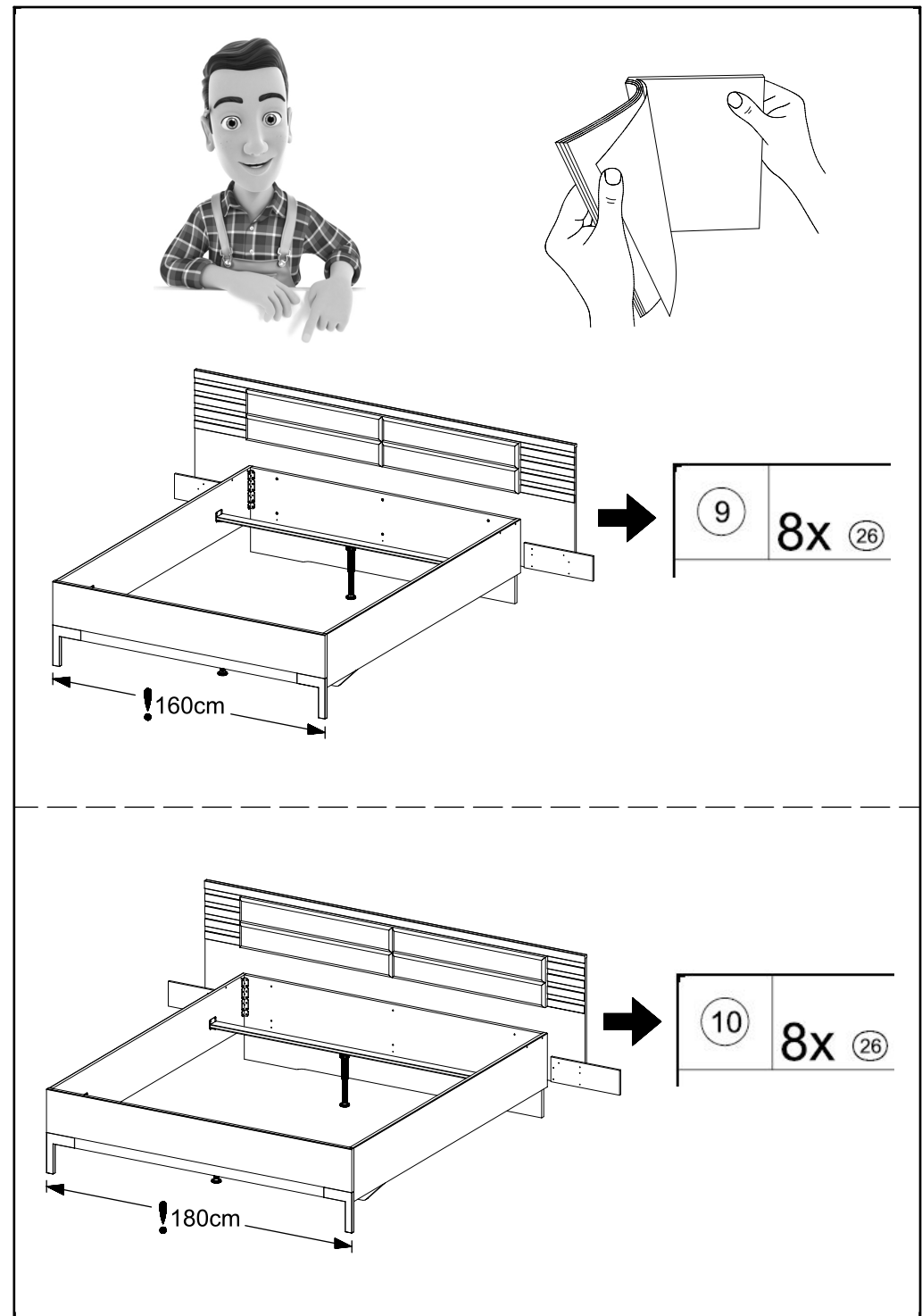
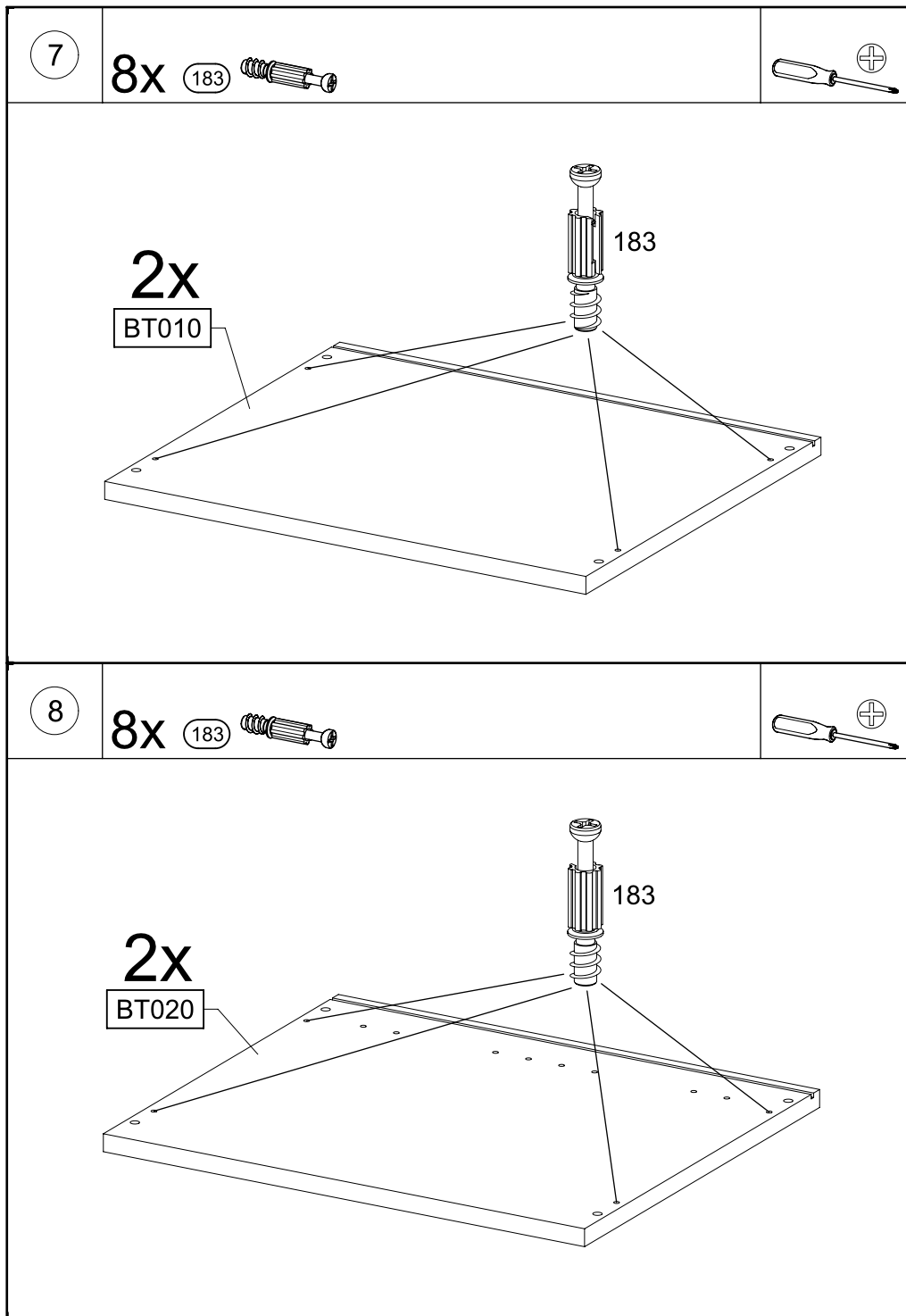
4

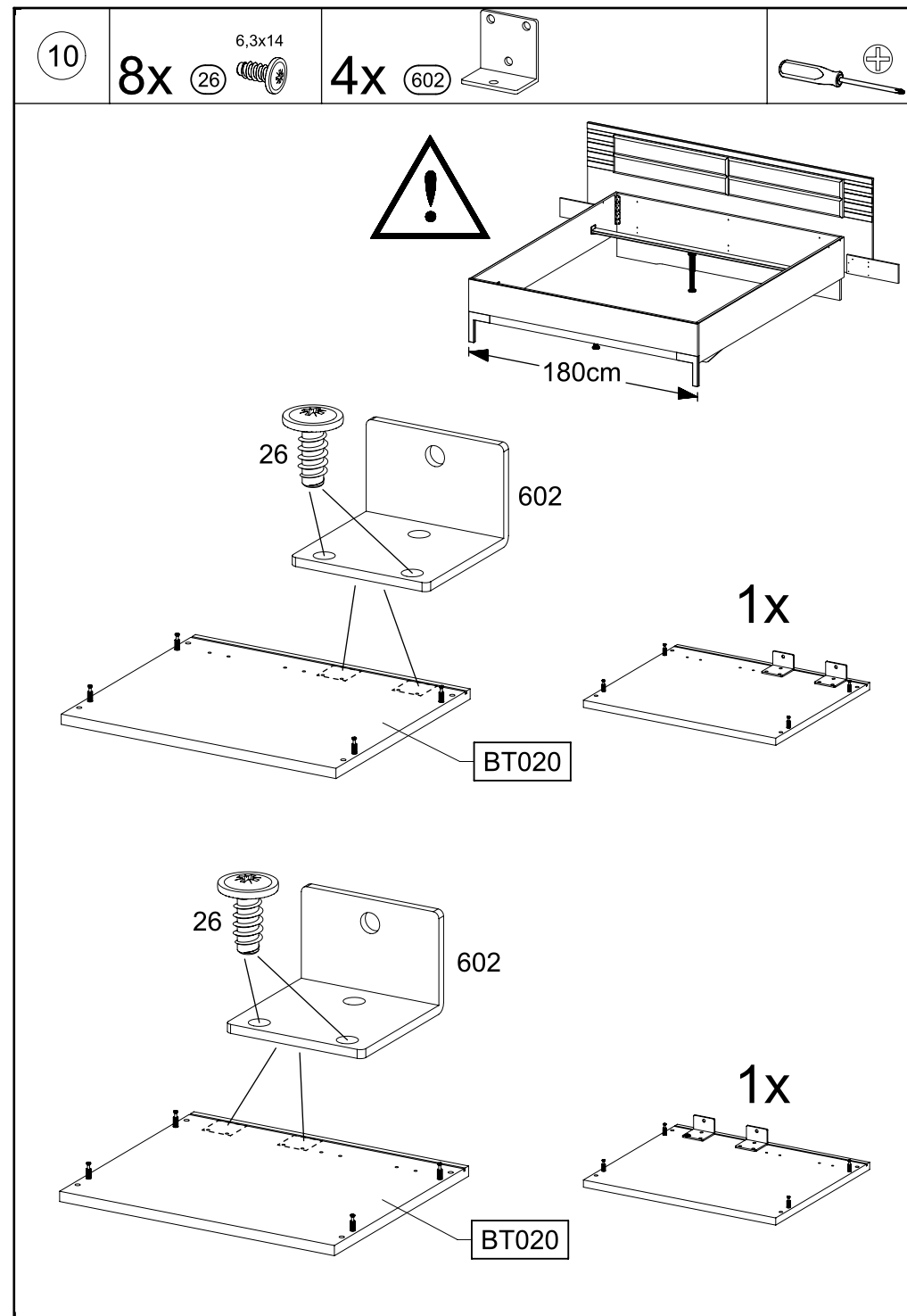
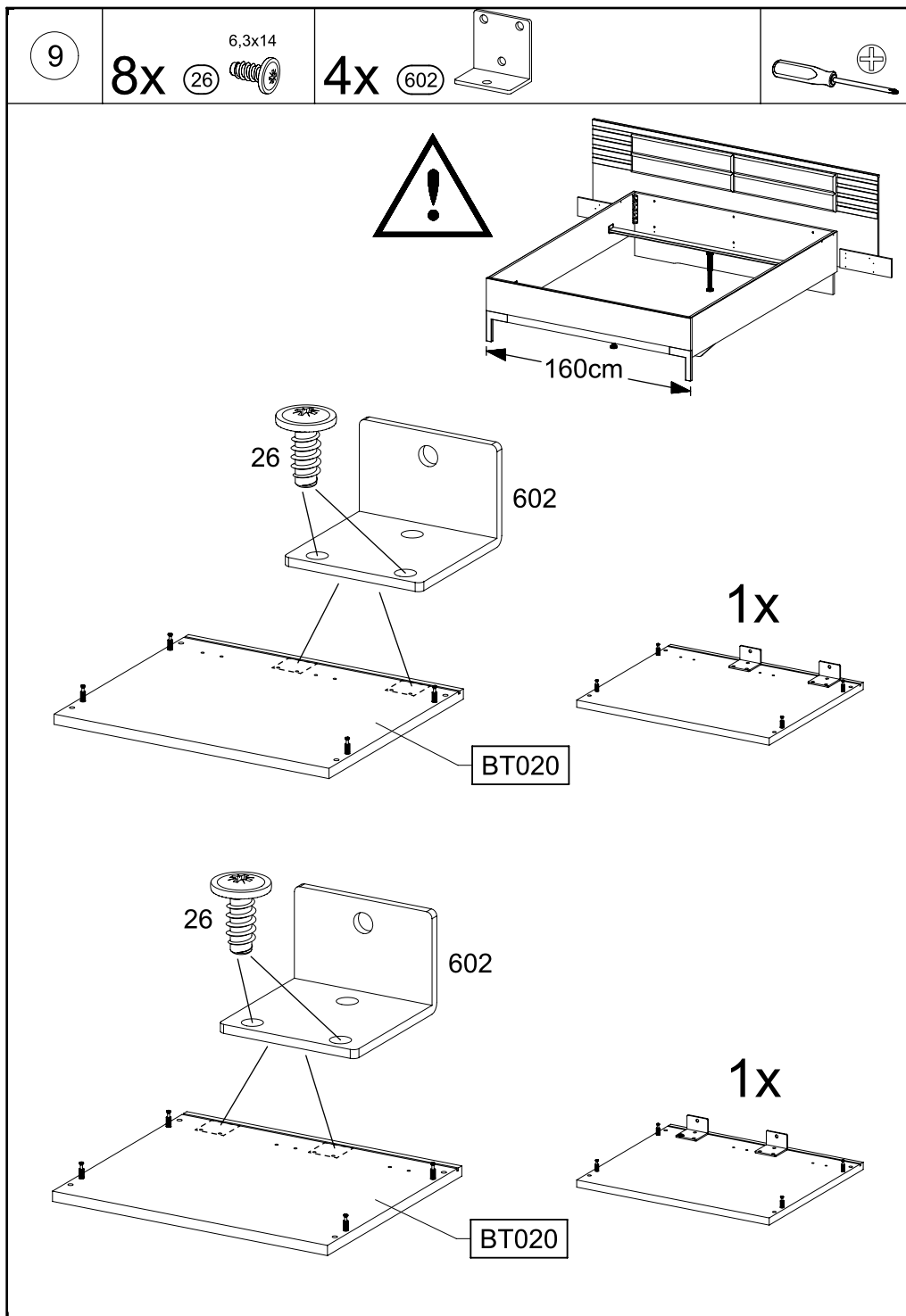
16x

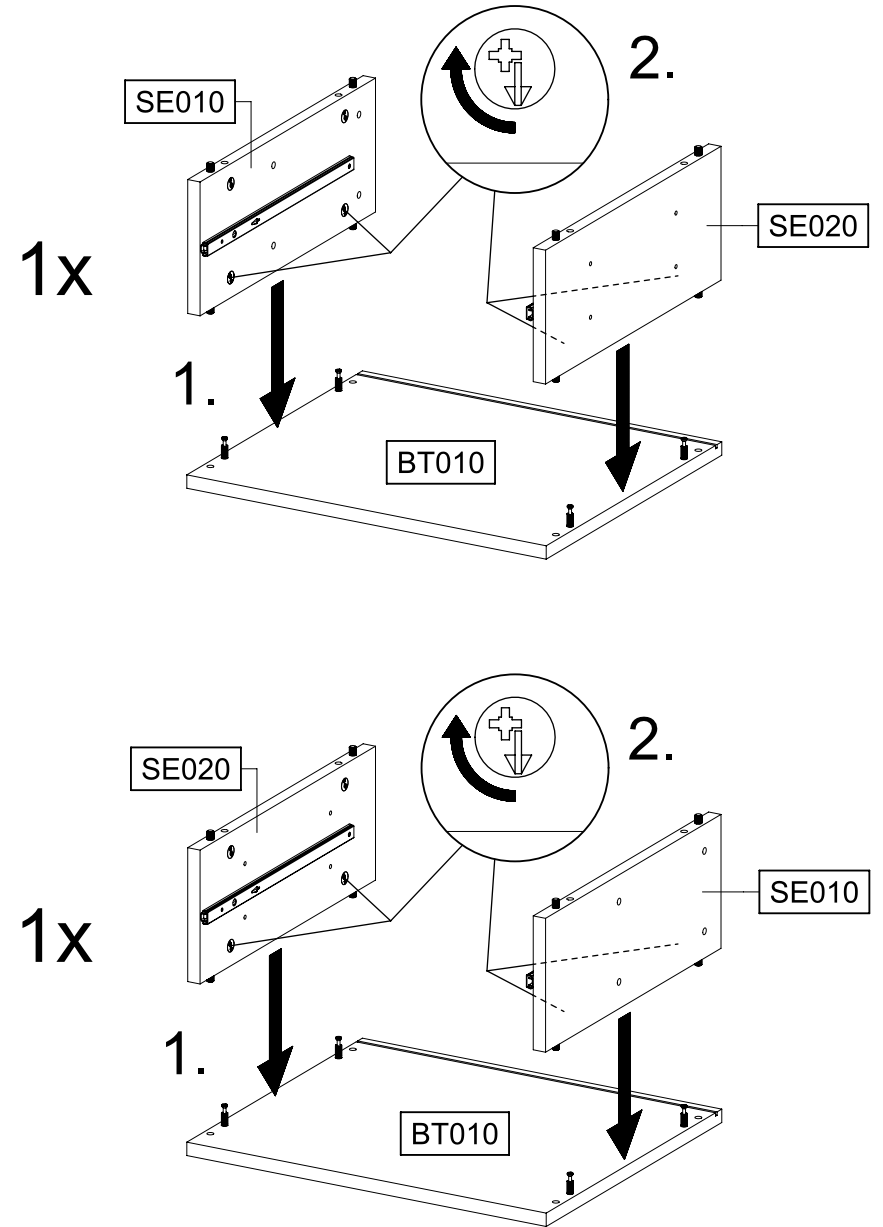
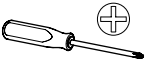
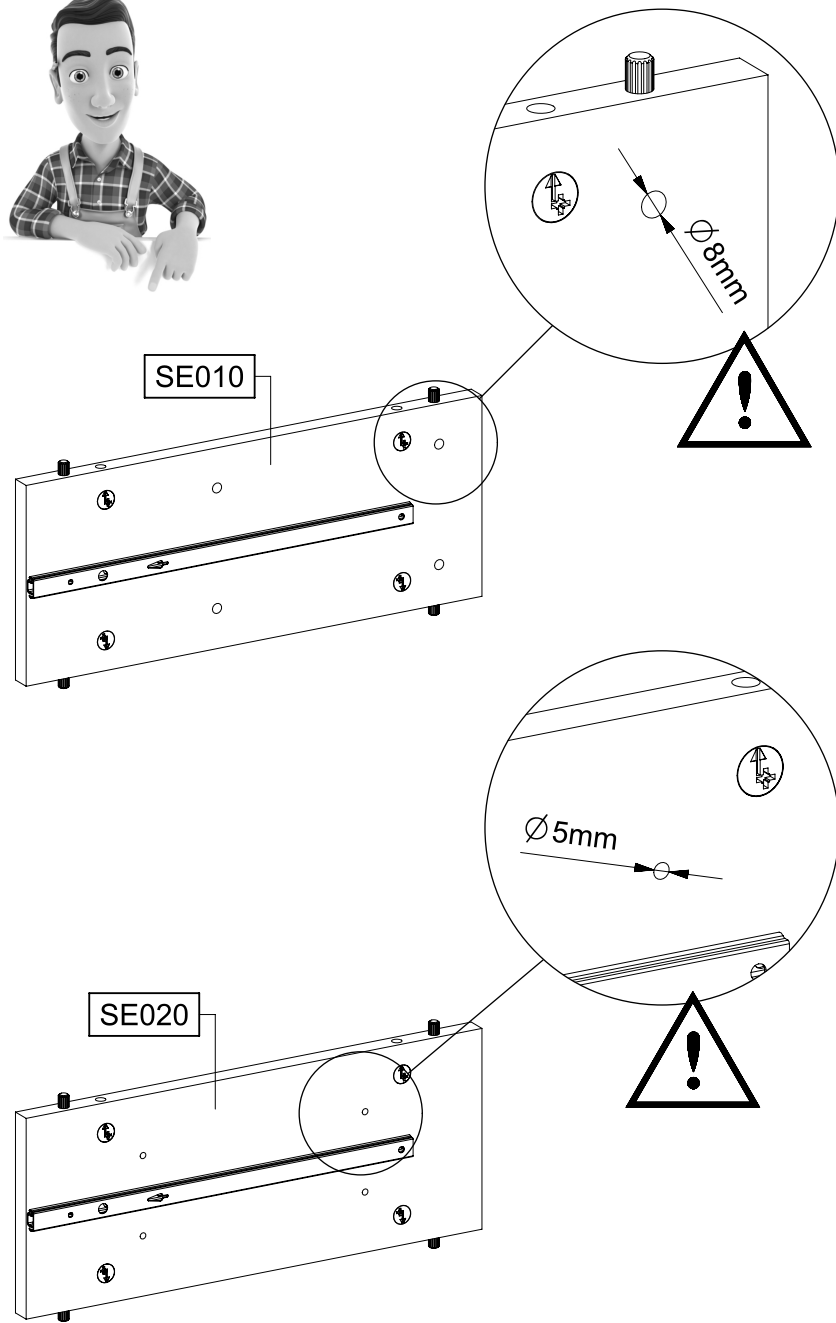
349



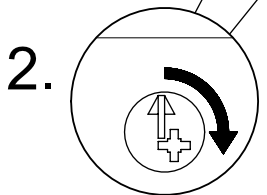
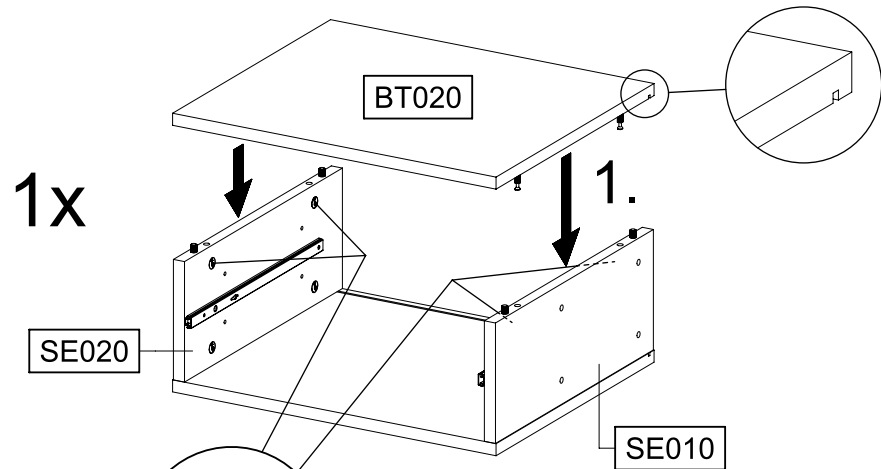
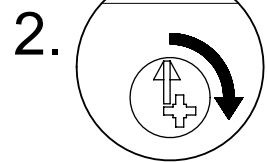
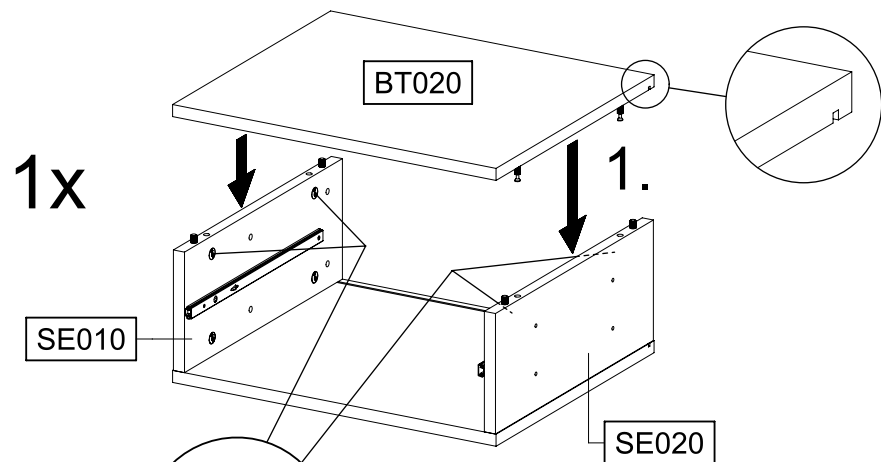
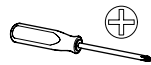






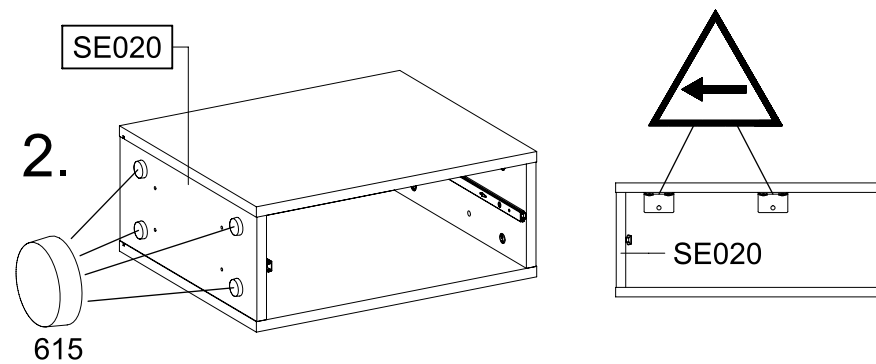
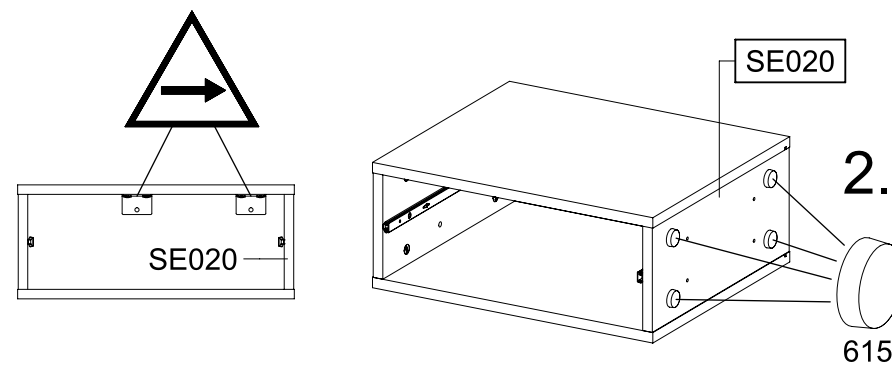
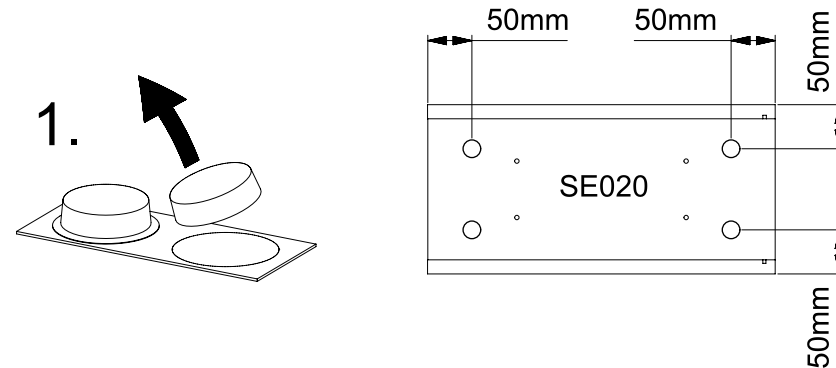
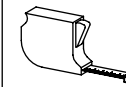
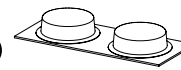


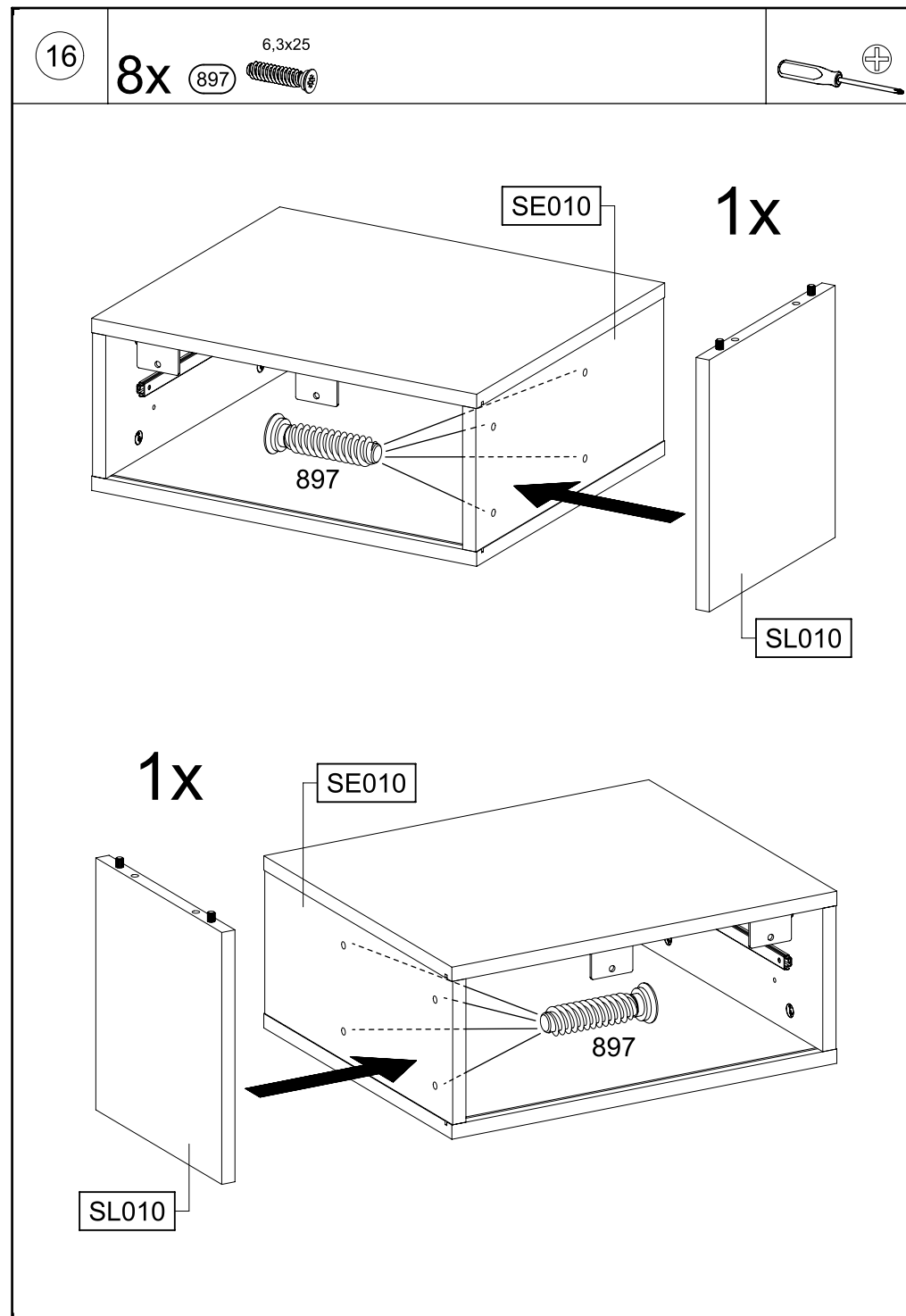
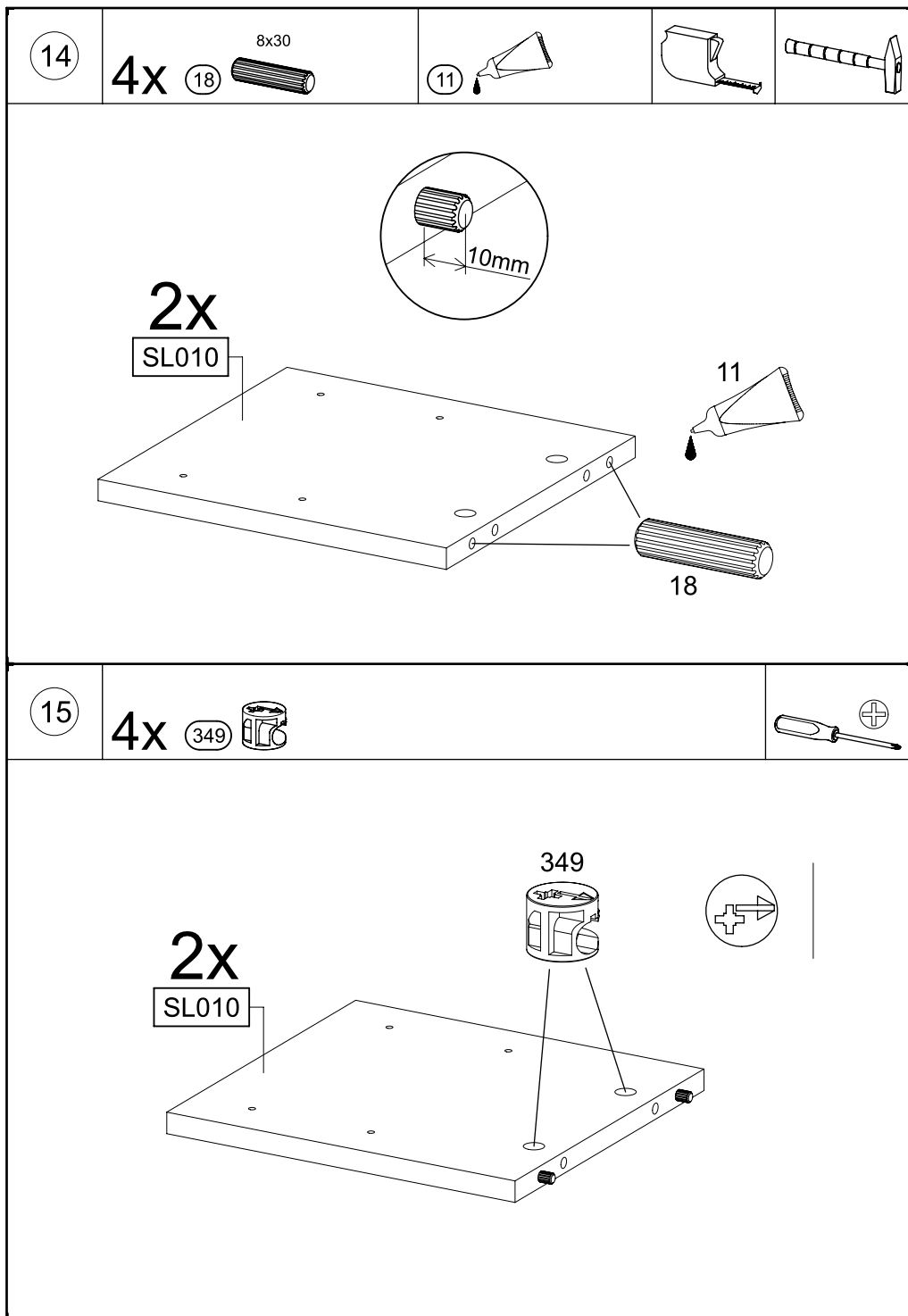
12

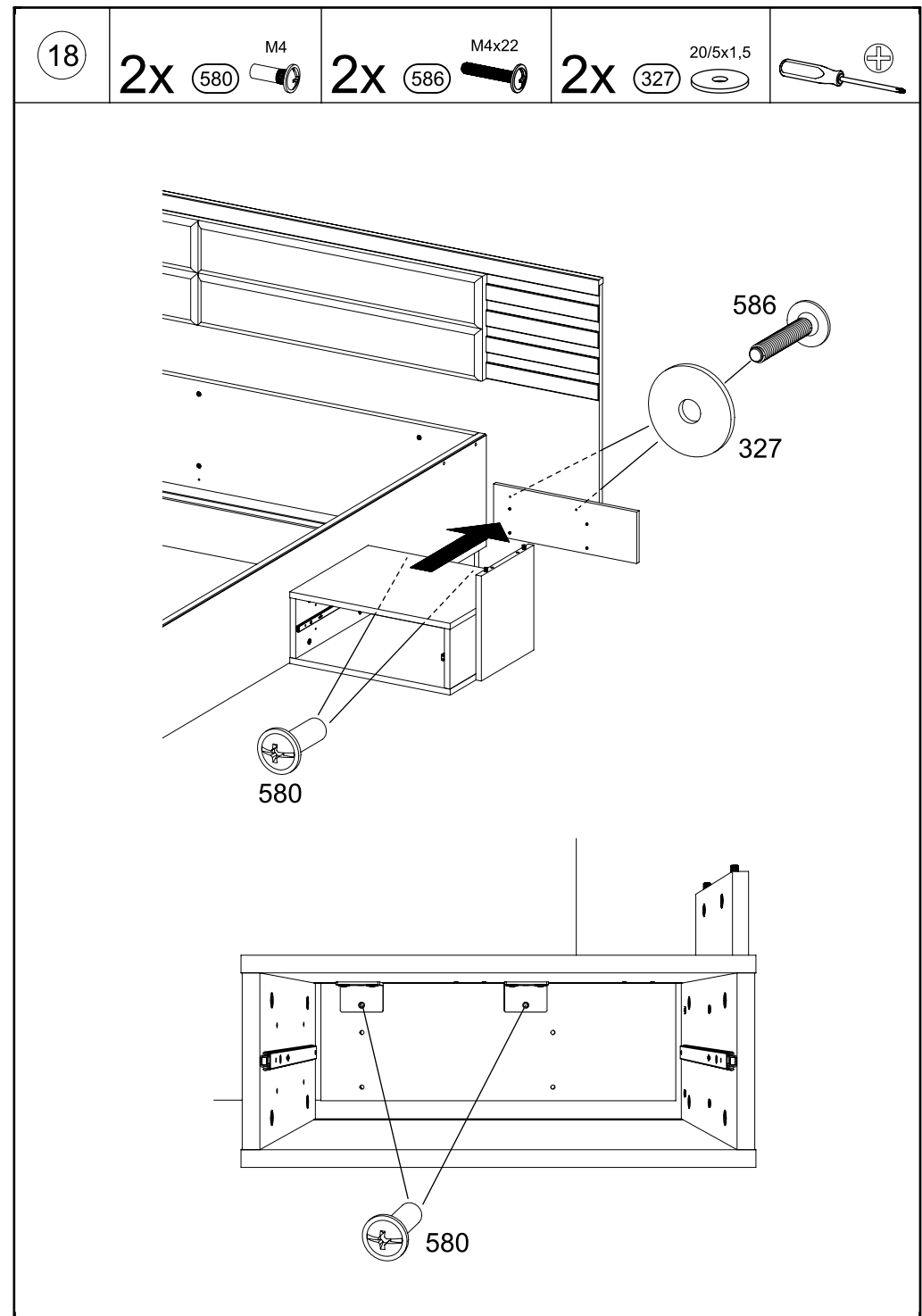
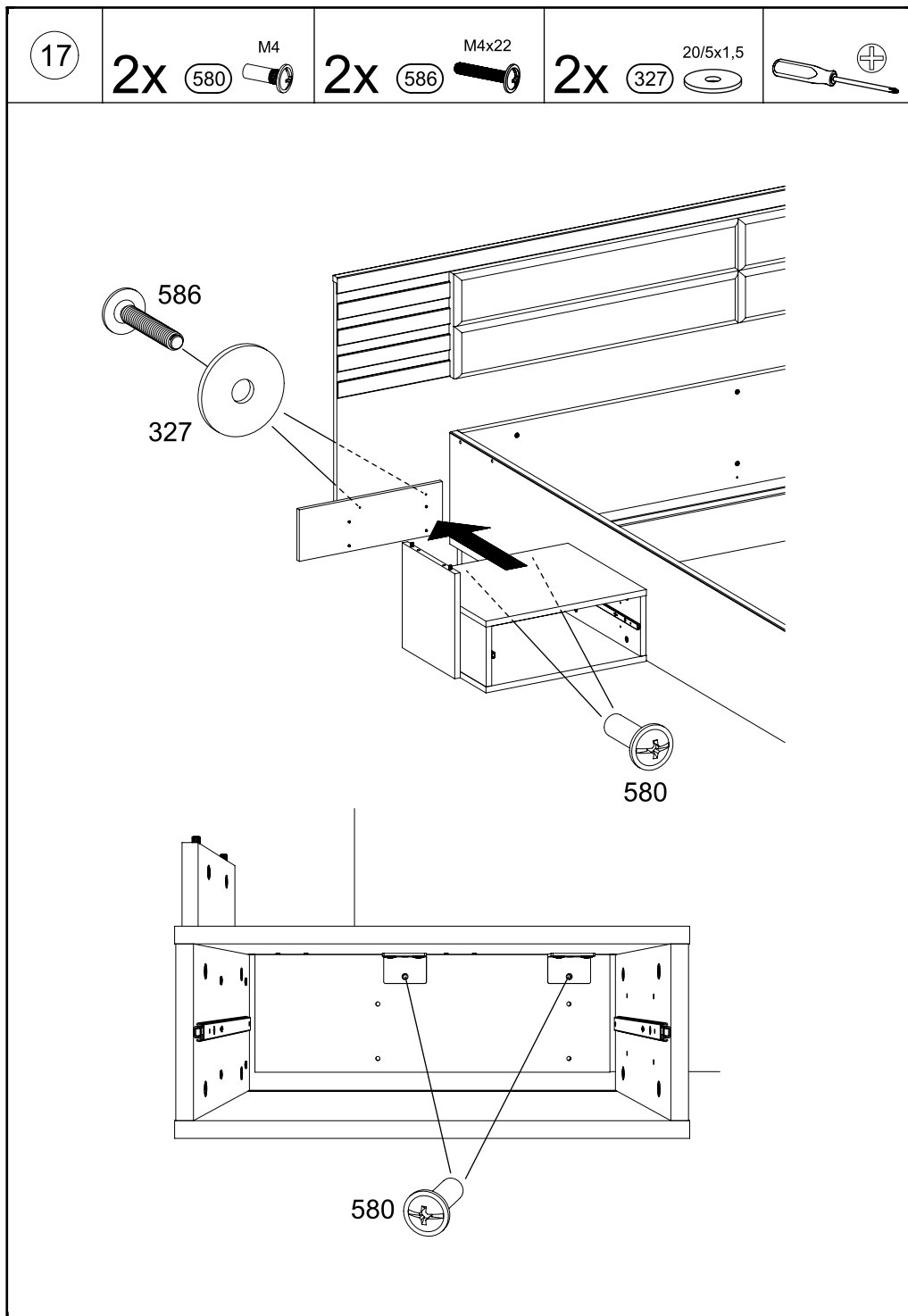


13

4x 615



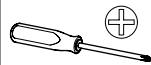




19

4x

183

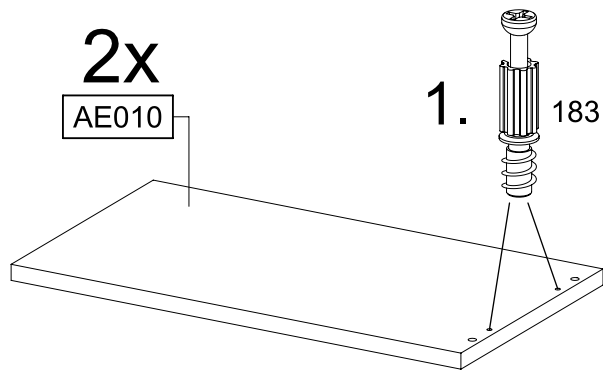


2x

AE010

1.

183

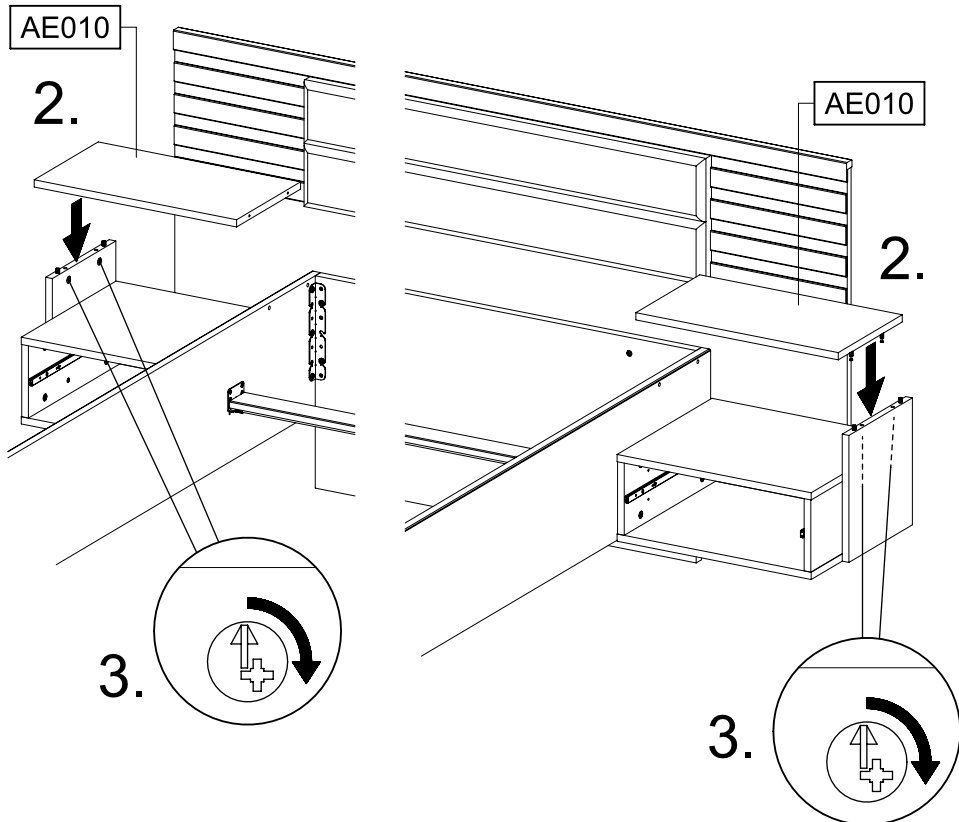


AE010

2.

AE010

2.



3.

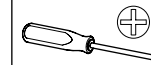
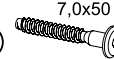
3.

20

4x

1022

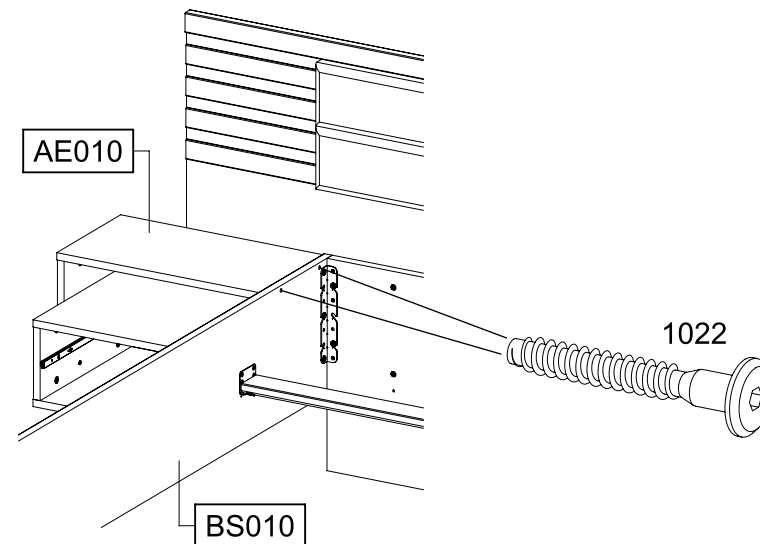
7.0x50



AE010

1022

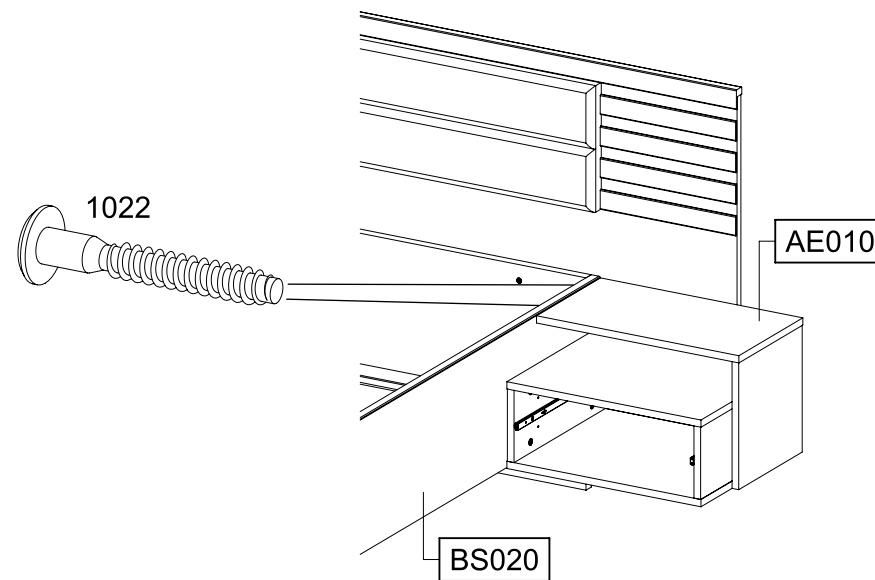
BS010



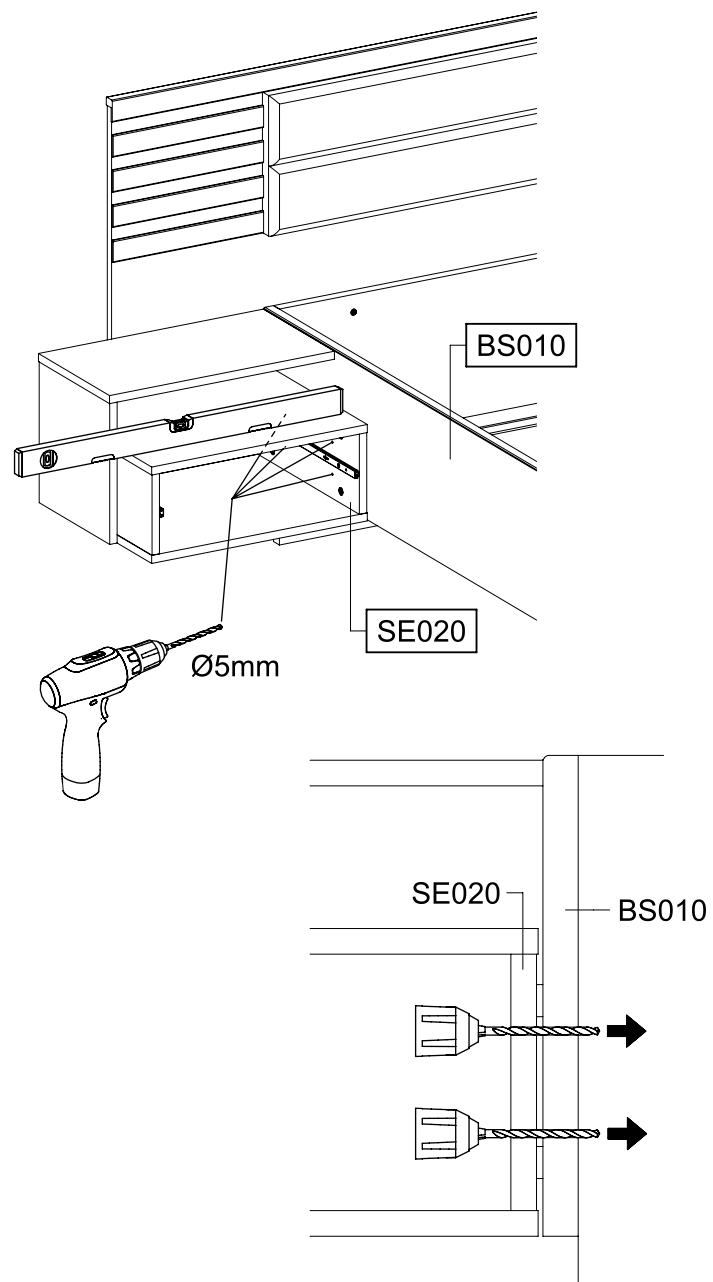
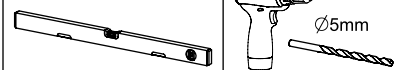
1022

AE010

BS020



21



22

