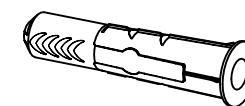
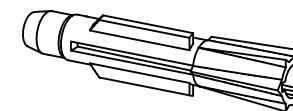
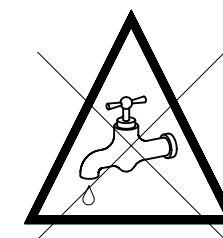
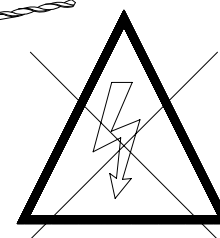
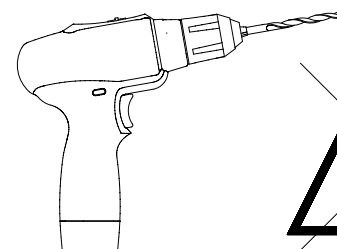
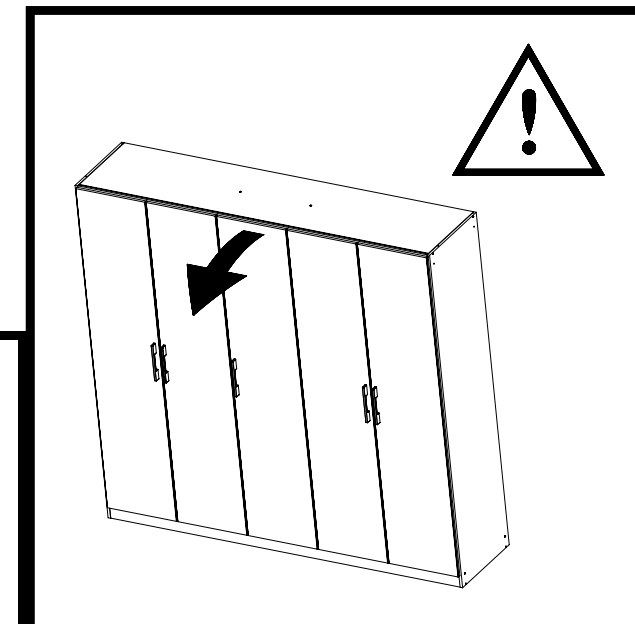
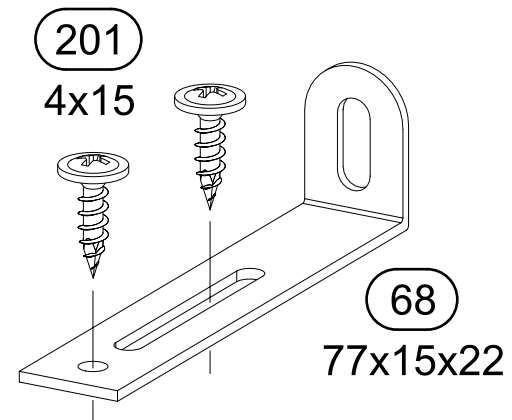
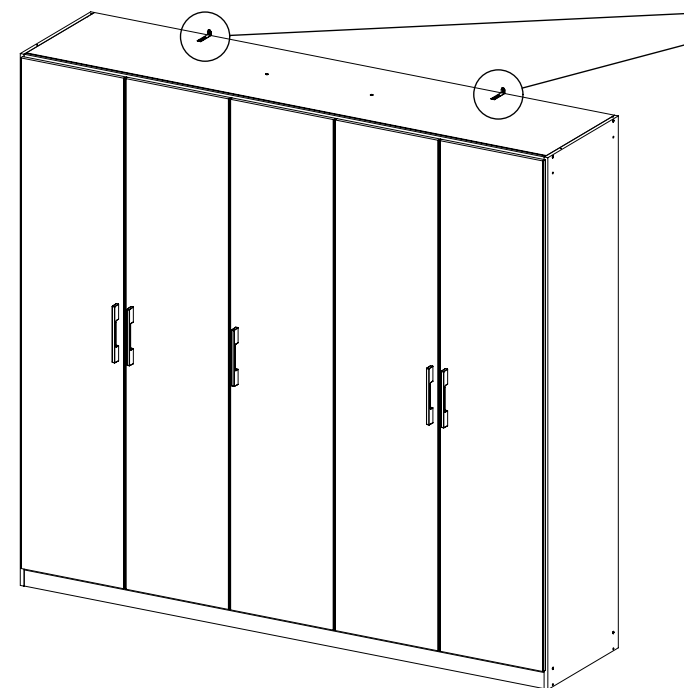
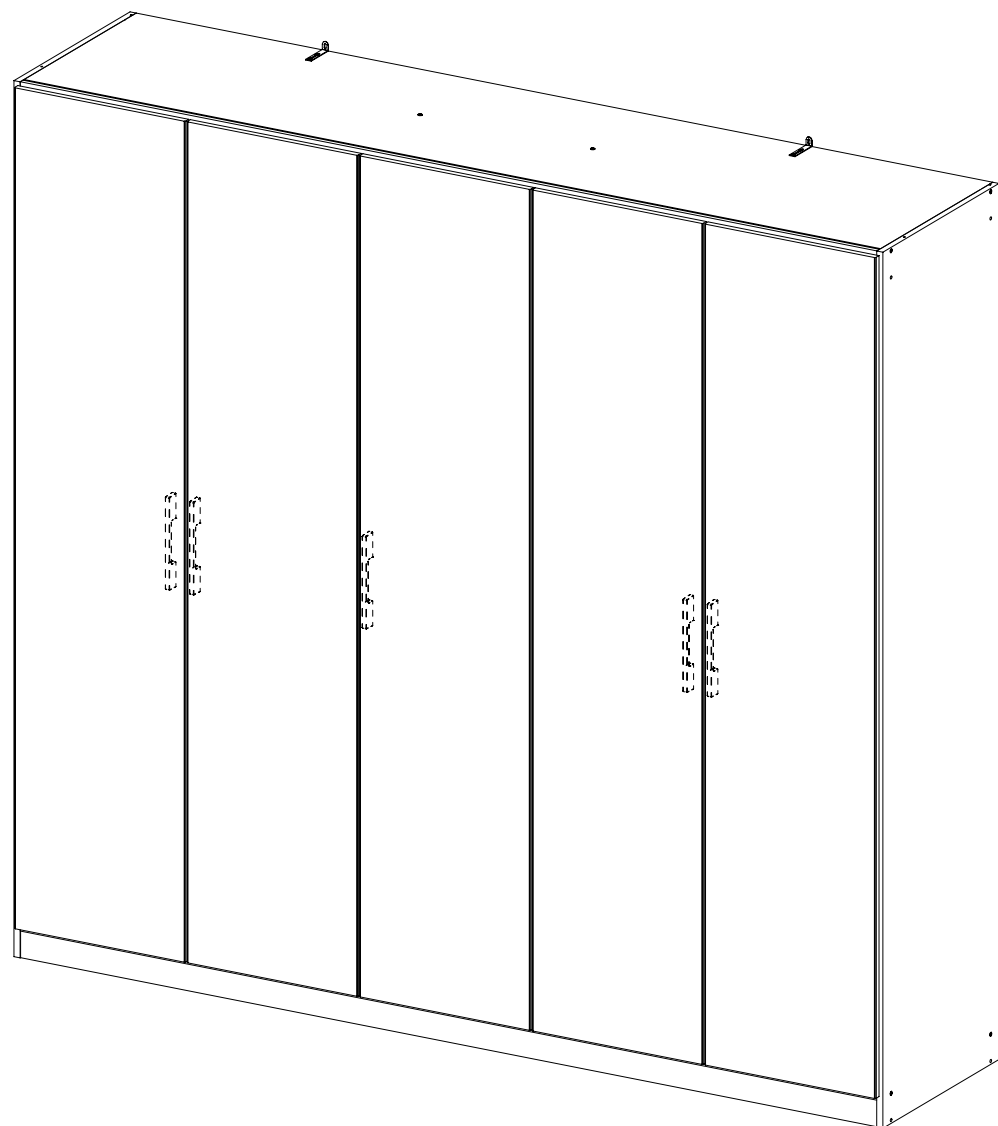
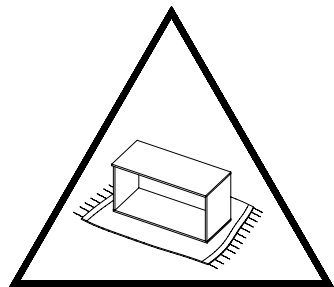
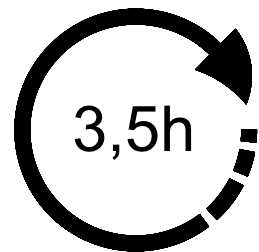
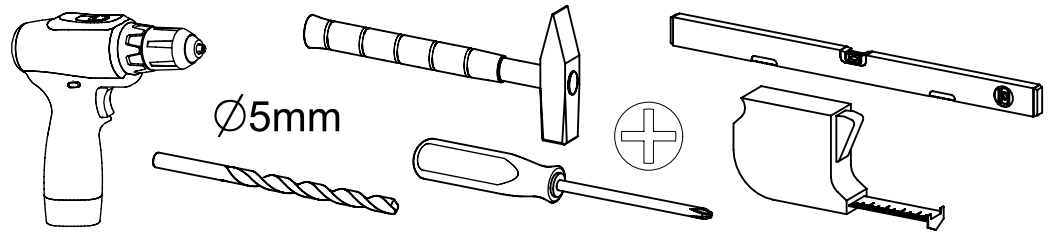
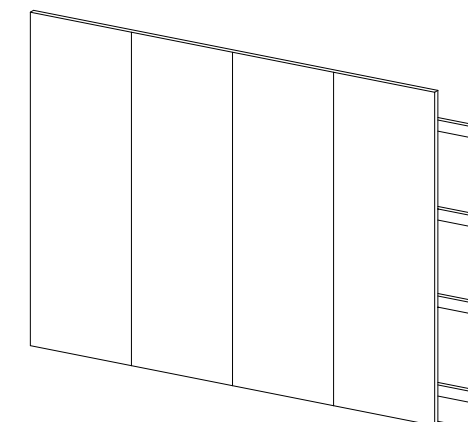
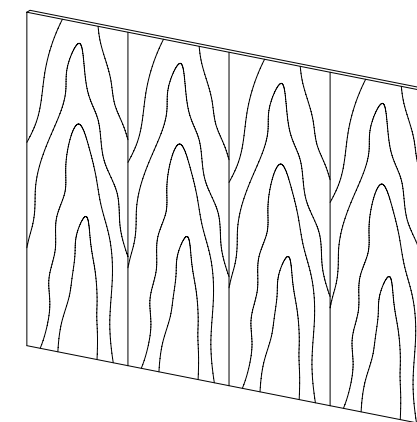
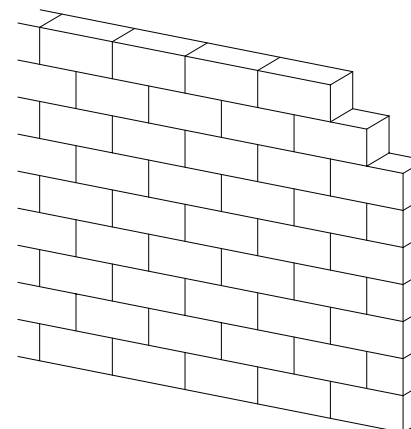
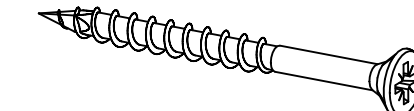
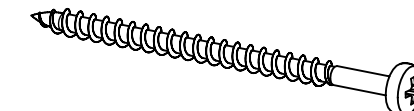
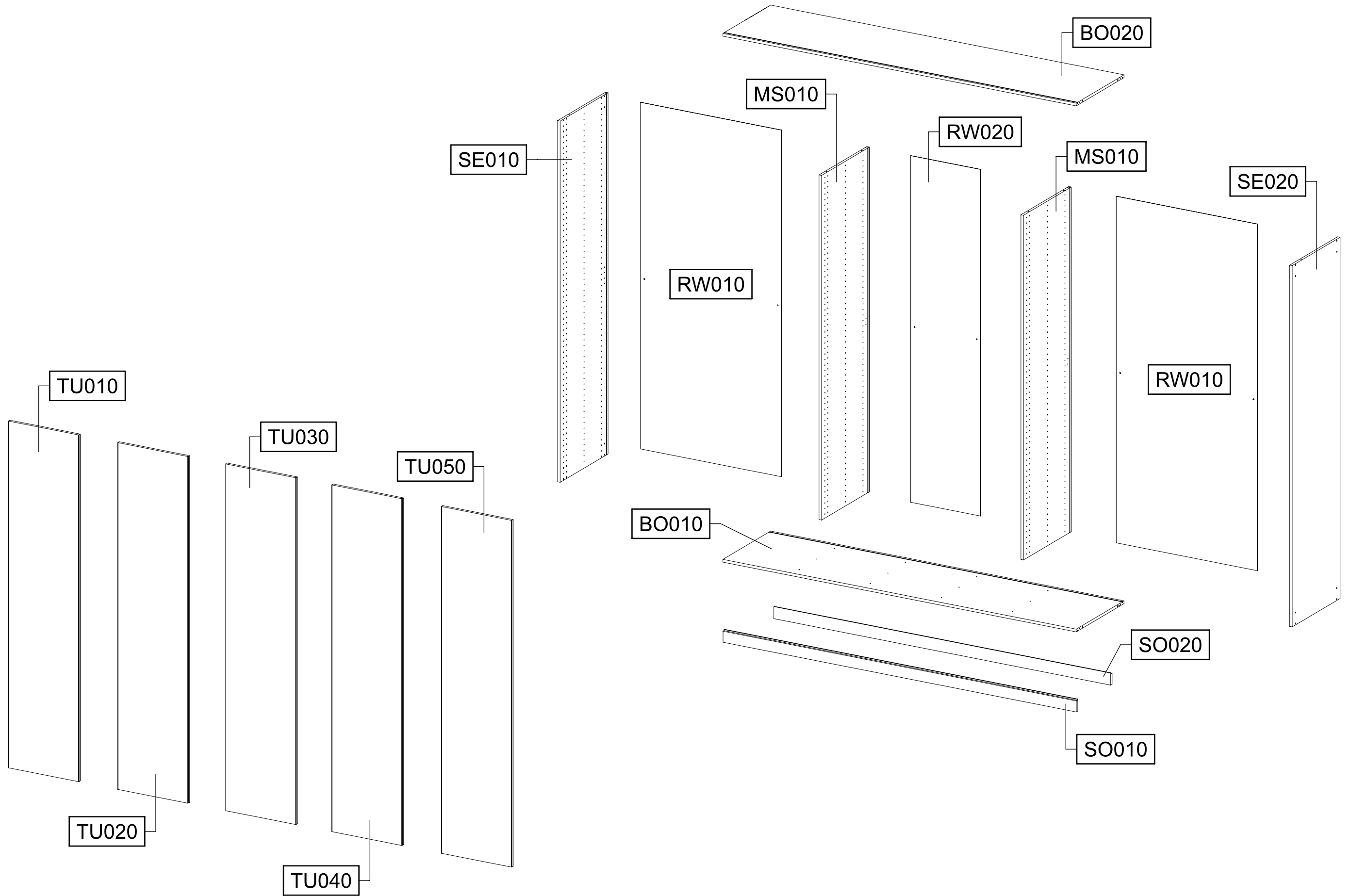


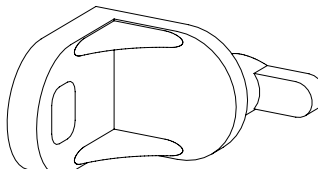
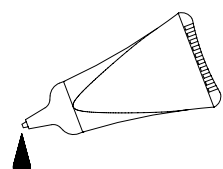
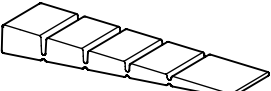

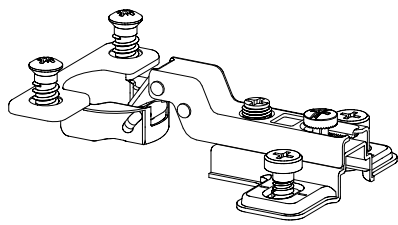
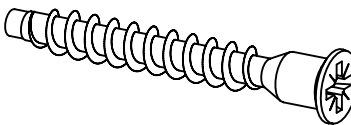
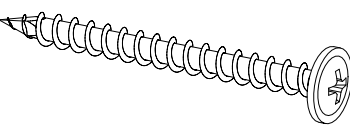
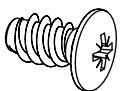
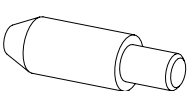
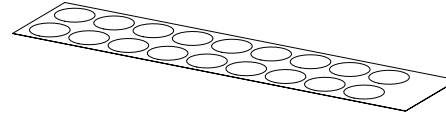
M1793_05

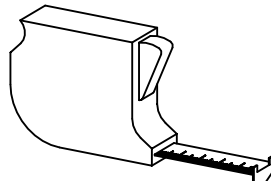


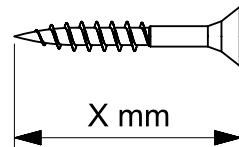
ØXmm

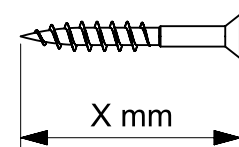


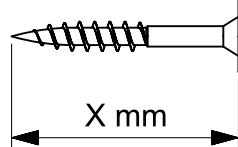


<p>6x</p>  <p>1</p>	<p>11</p> 	<p>2x</p> <p>55x16x6,2</p>  <p>12</p>
<p>8x</p> <p>8x30</p>  <p>18</p>	<p>15x</p>  <p>116</p>	
<p>8x</p> <p>6,3x50</p>  <p>233</p>	<p>2x</p> <p>4,5x50</p>  <p>296</p>	
<p>6x</p> <p>6,5x12</p>  <p>779</p>	<p>8x</p> <p>807</p> 	<p>1x</p> <p>RE010</p> 



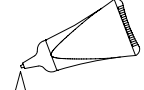





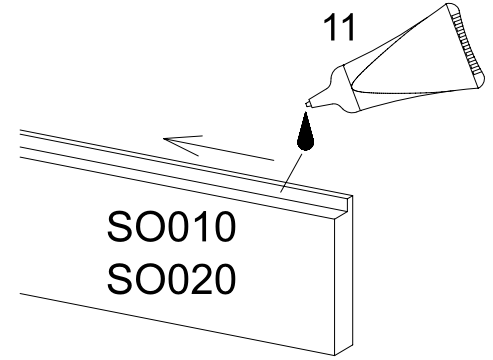


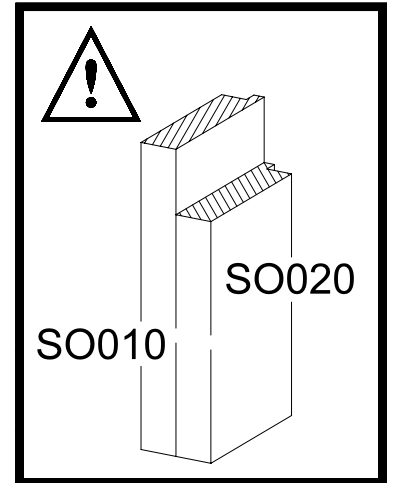
1

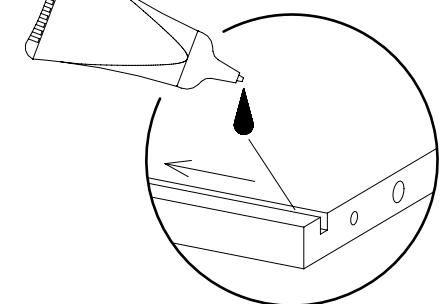
11

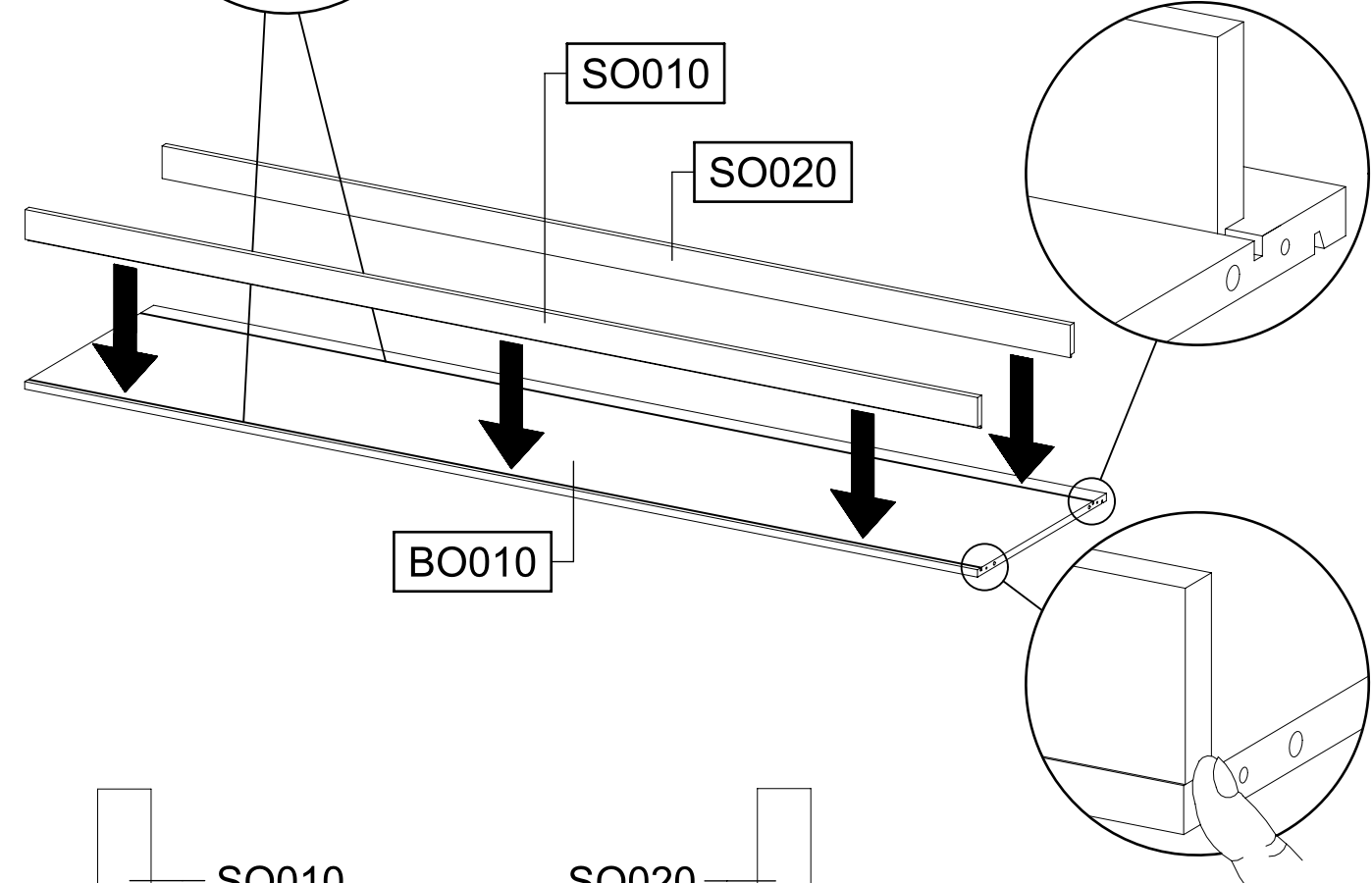


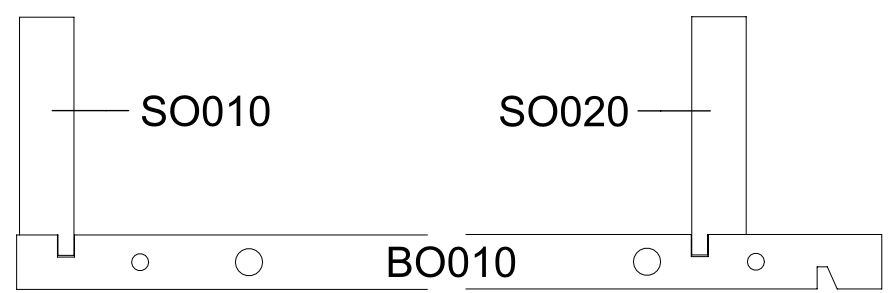


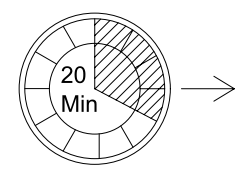










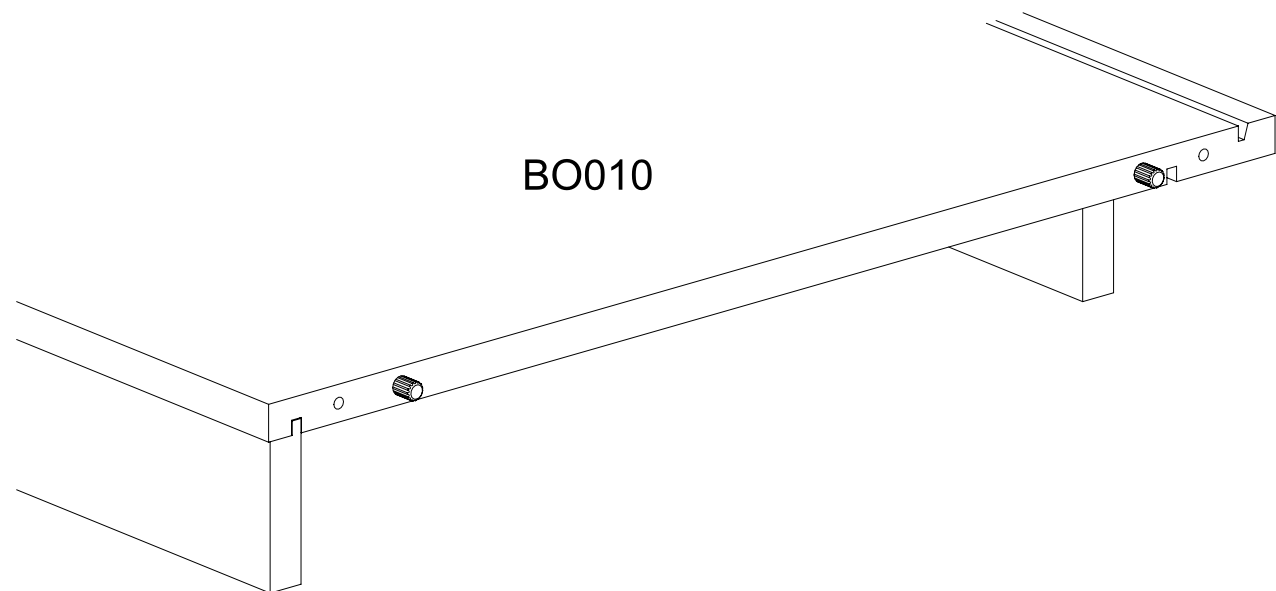
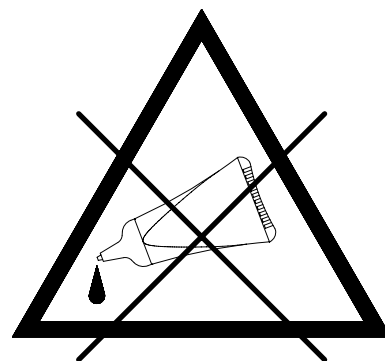
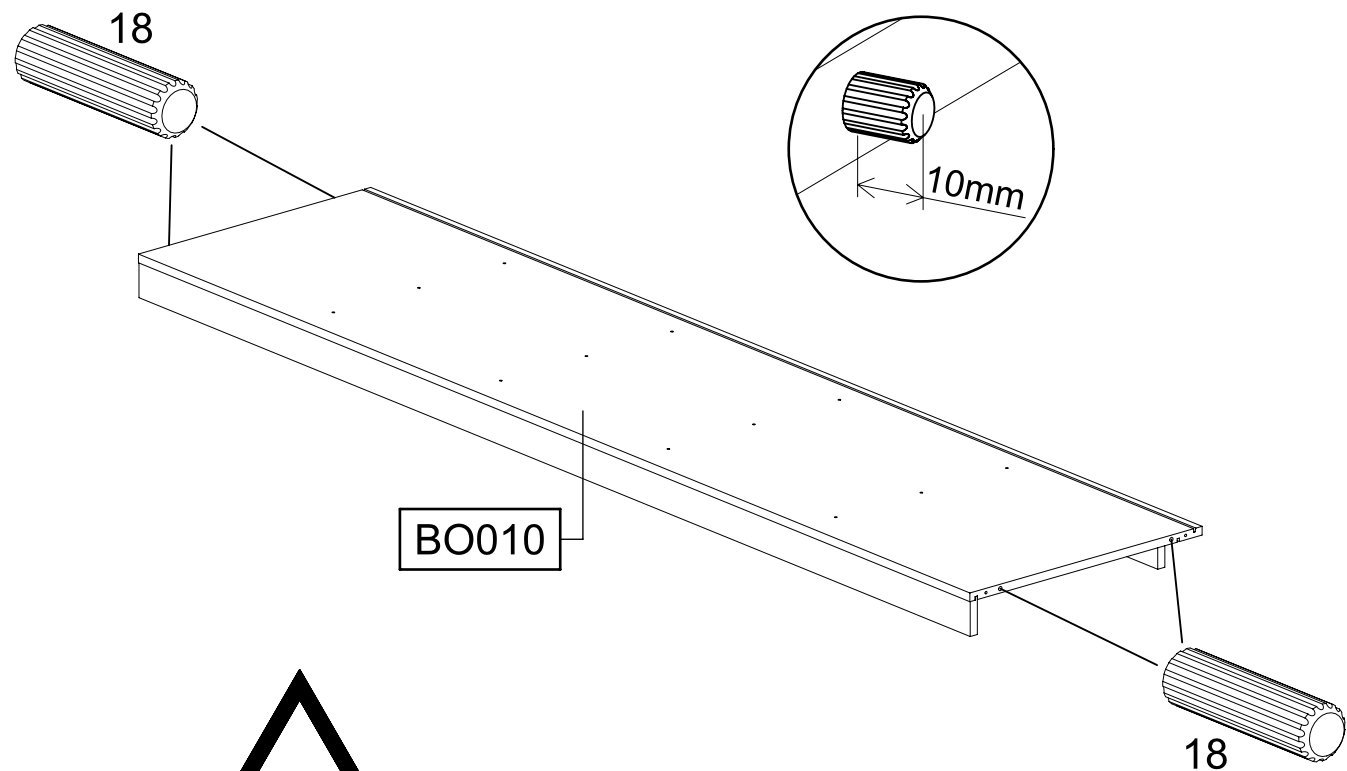
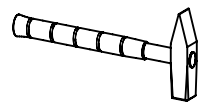


2

4x

18

8x30



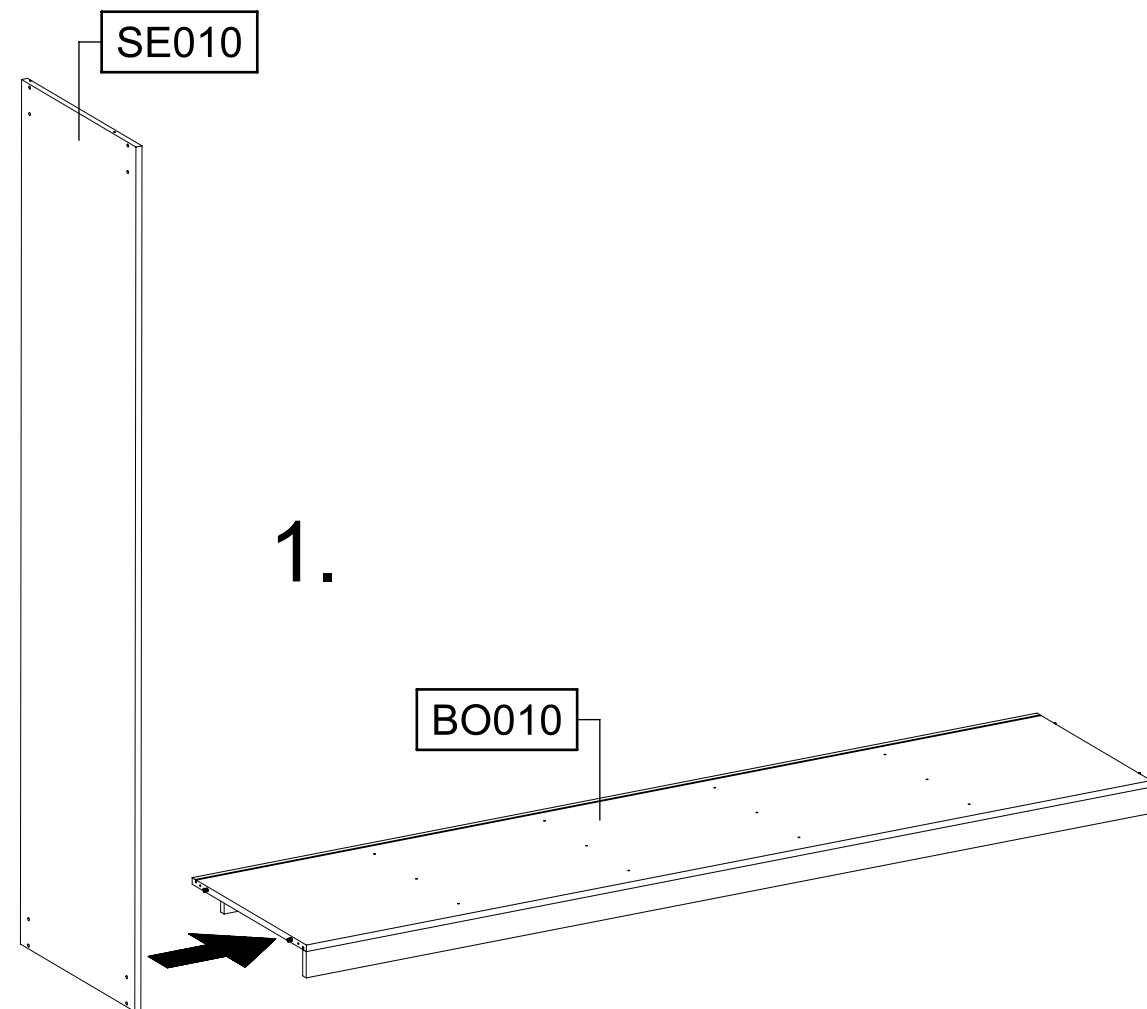
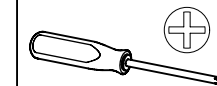
BO010

3

2x

233

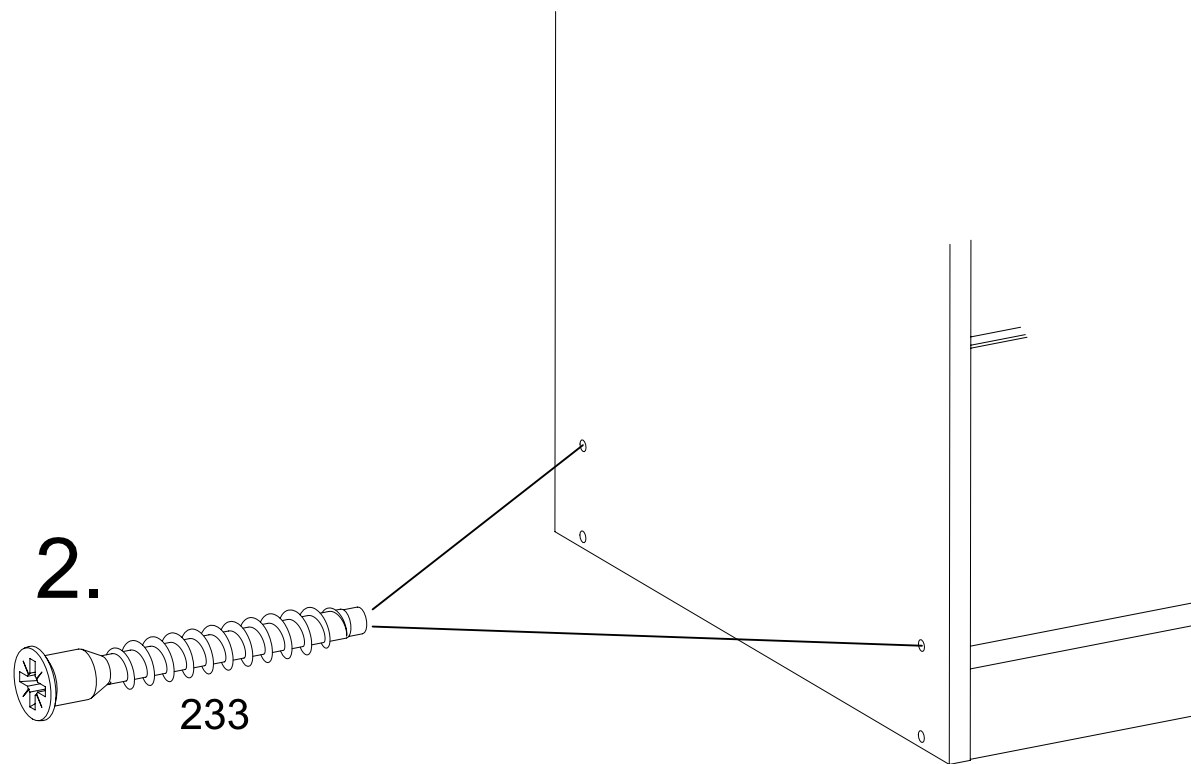
6,3x50



SE010

BO010

1.

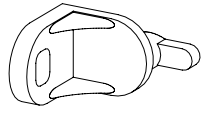


2.

233

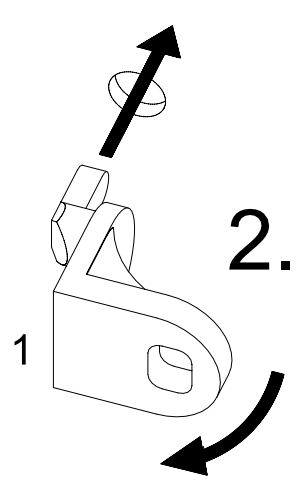
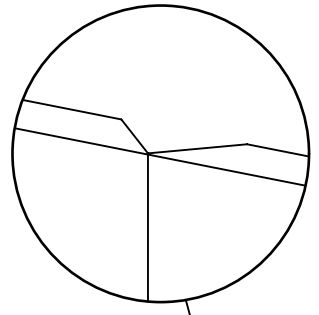
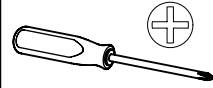
4

1x 1

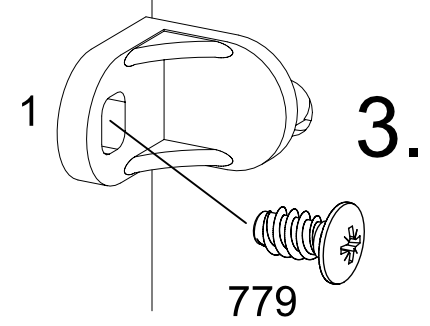


1x 779

6,5x12



2.



3.

779

SE010

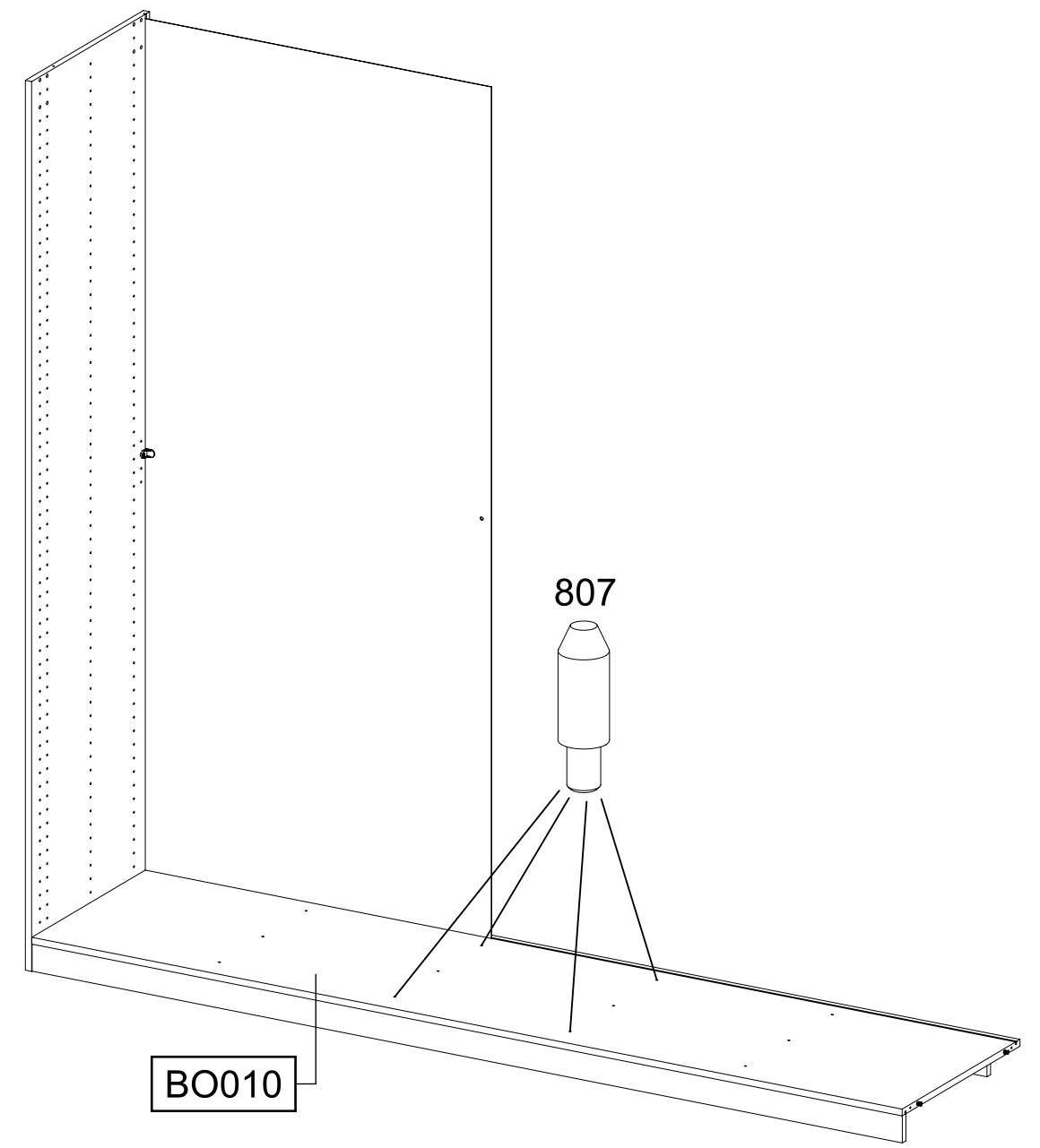
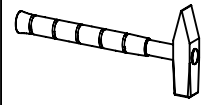
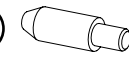
RW010

1.

BO010

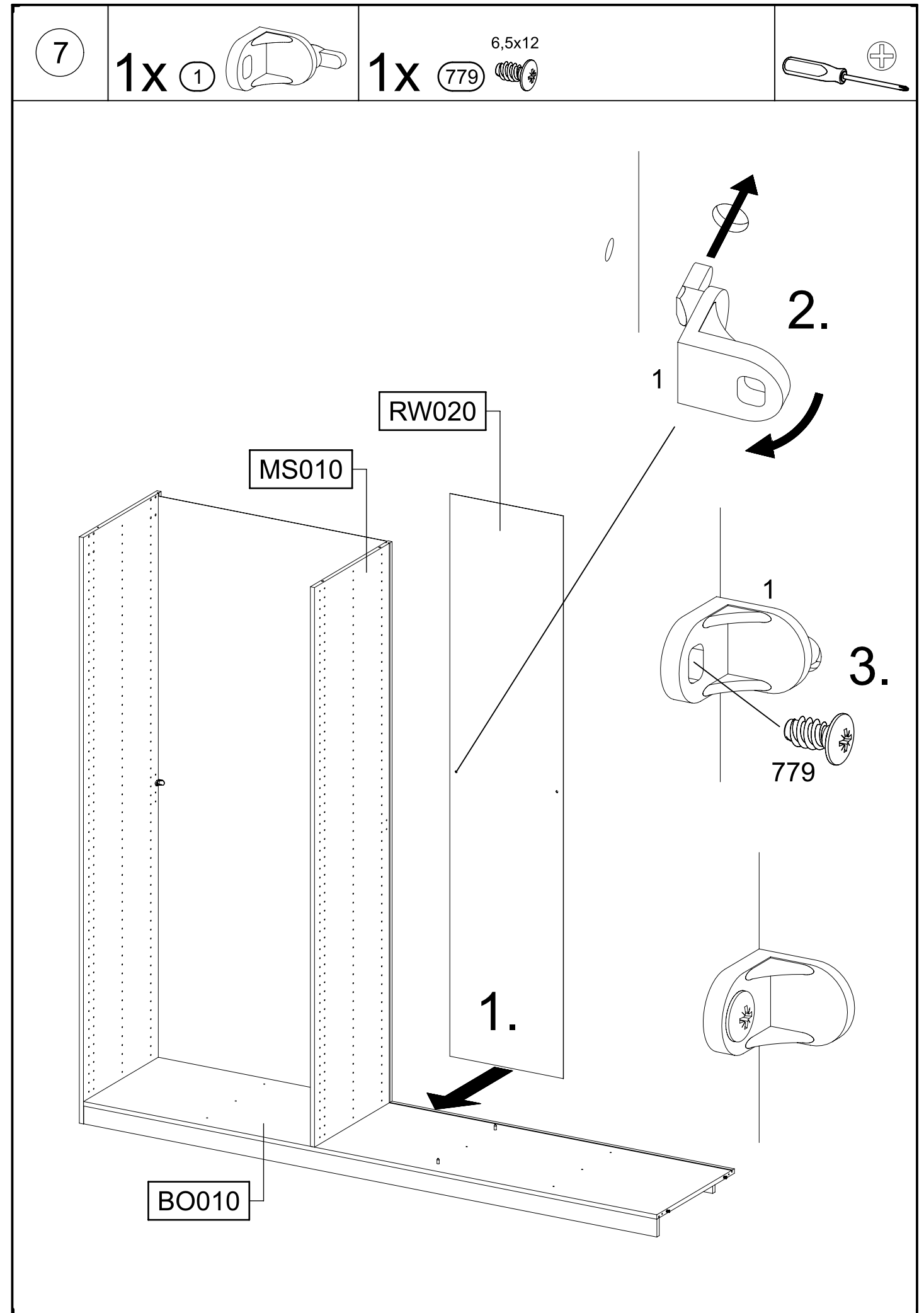
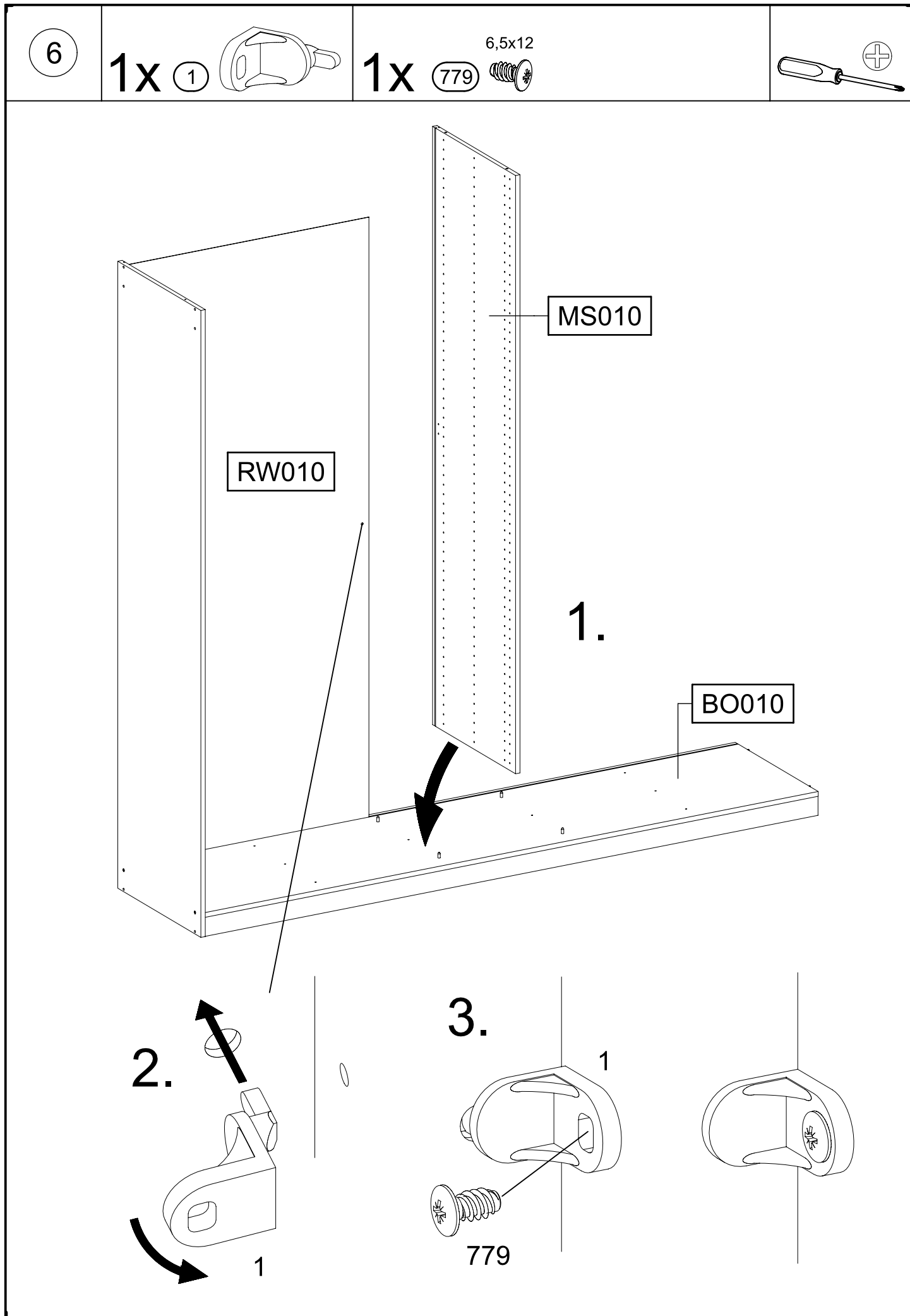
5

4x 807



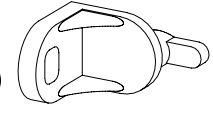
807

BO010



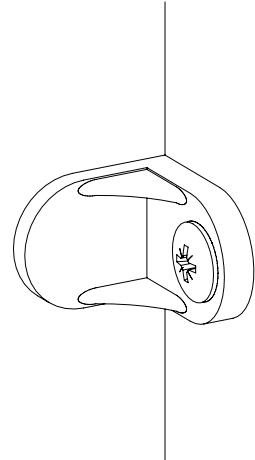
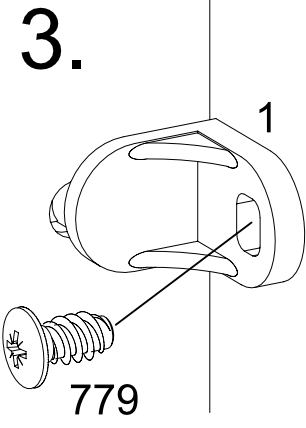
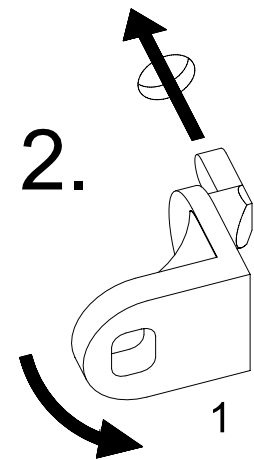
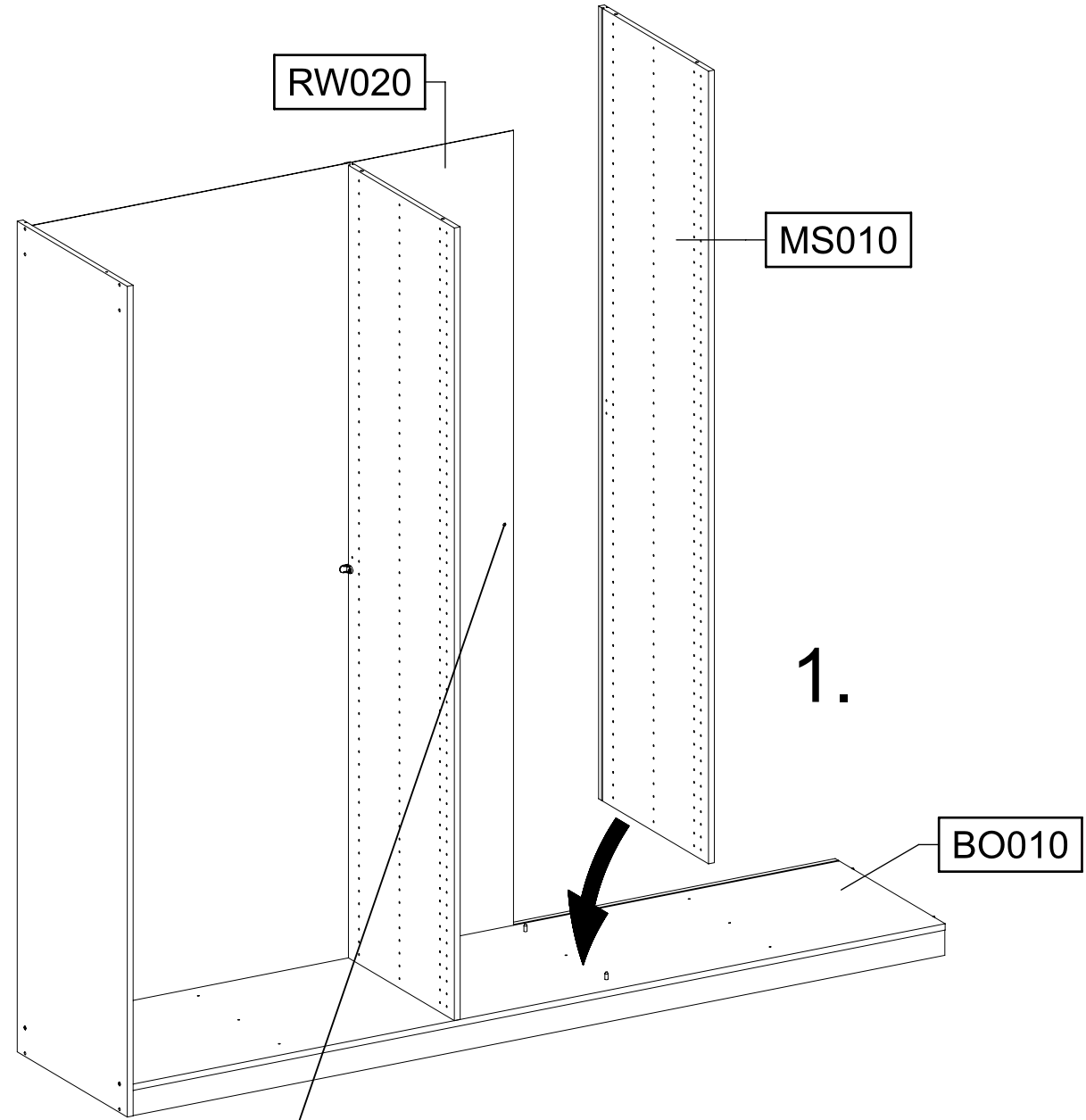
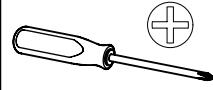
8

1x 1



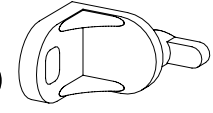
1x 779

6,5x12



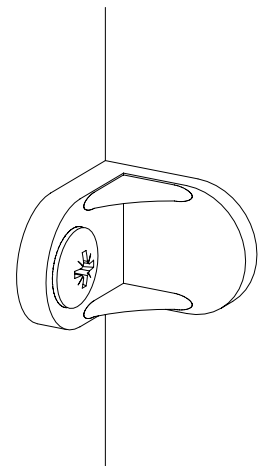
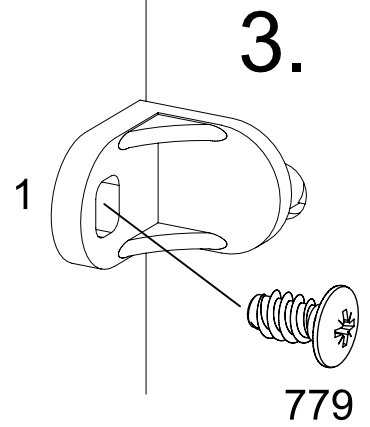
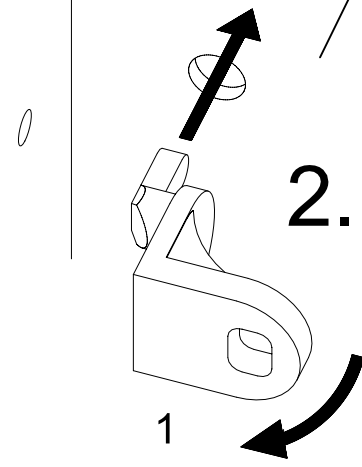
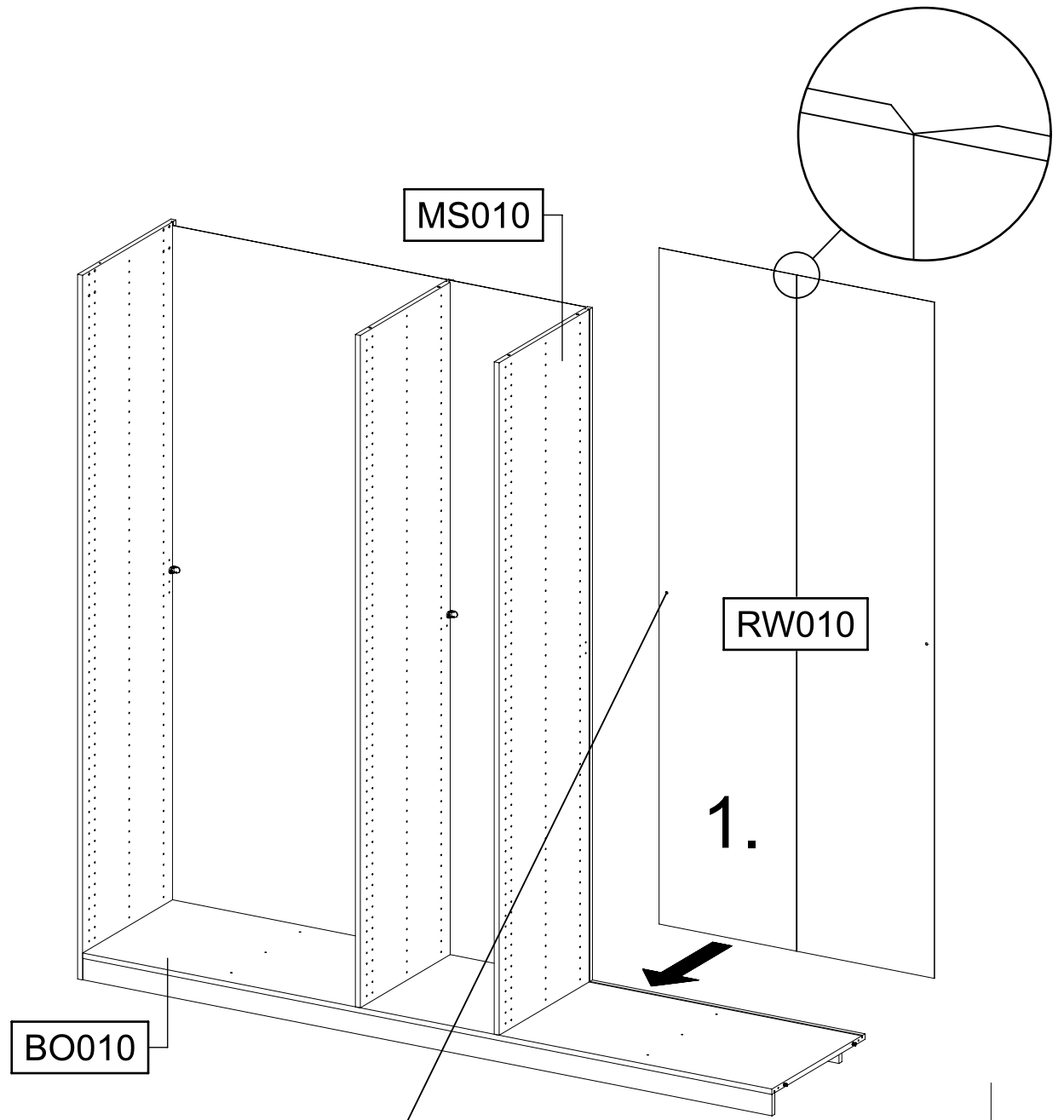
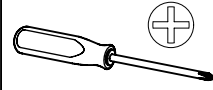
9

1x 1



1x 779

6,5x12

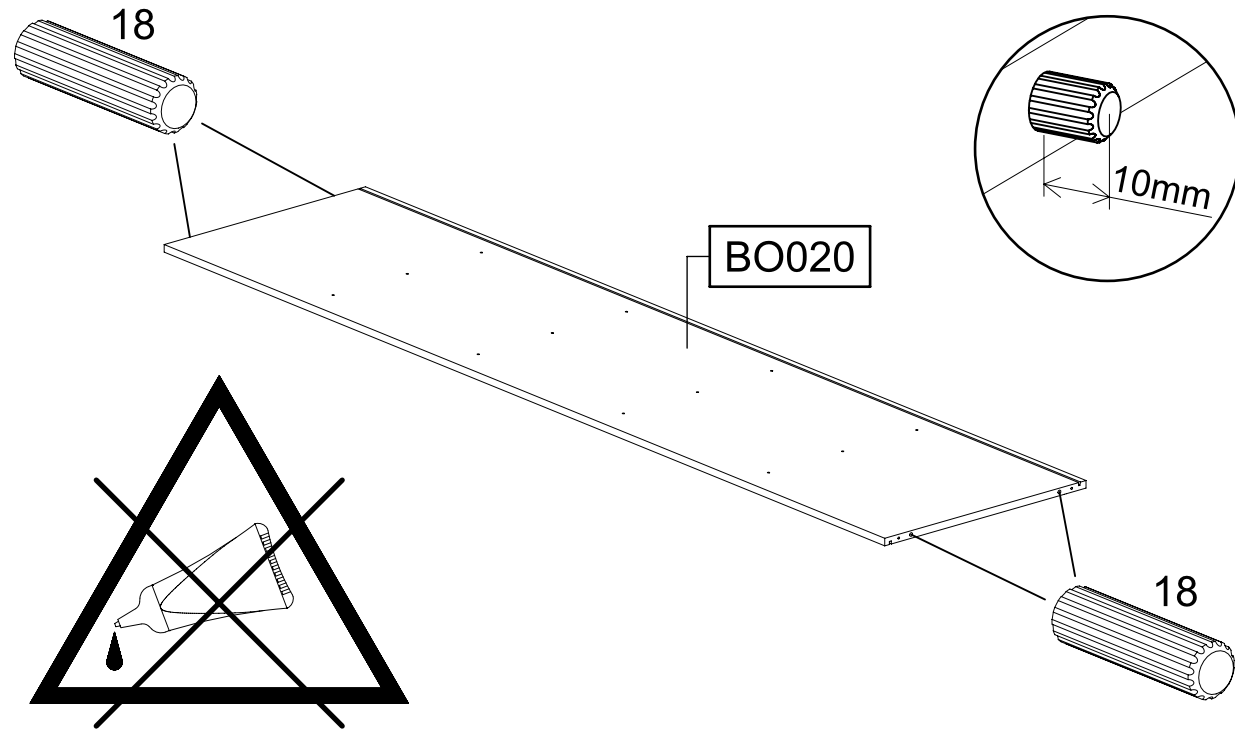
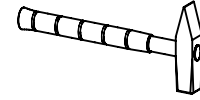


10

4x

18

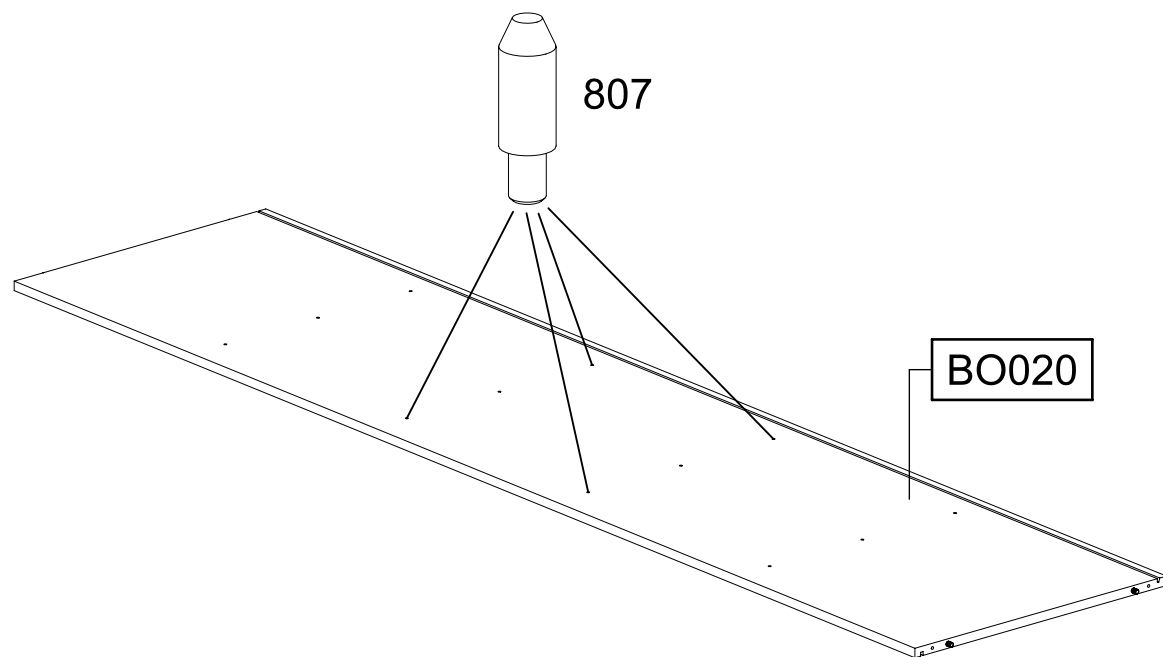
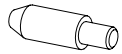
8x30



11

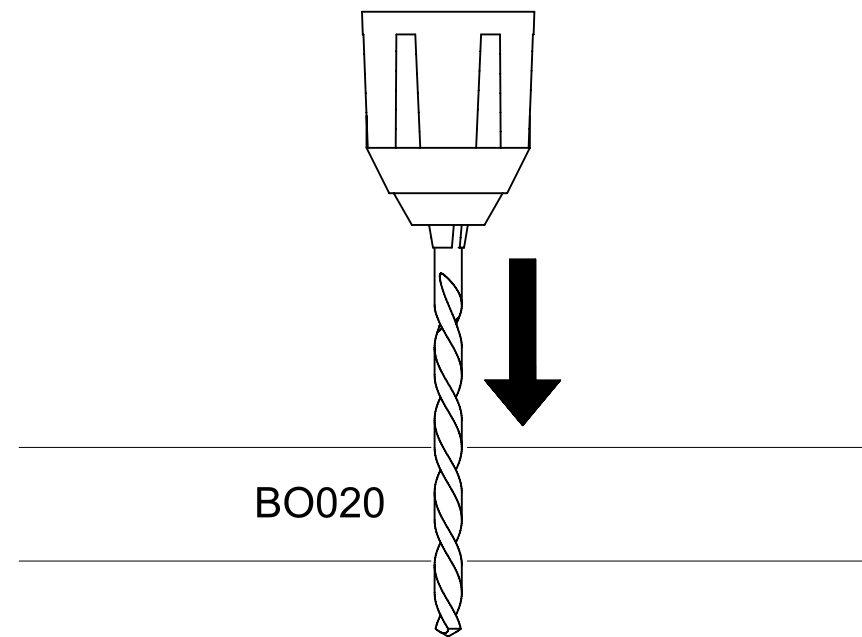
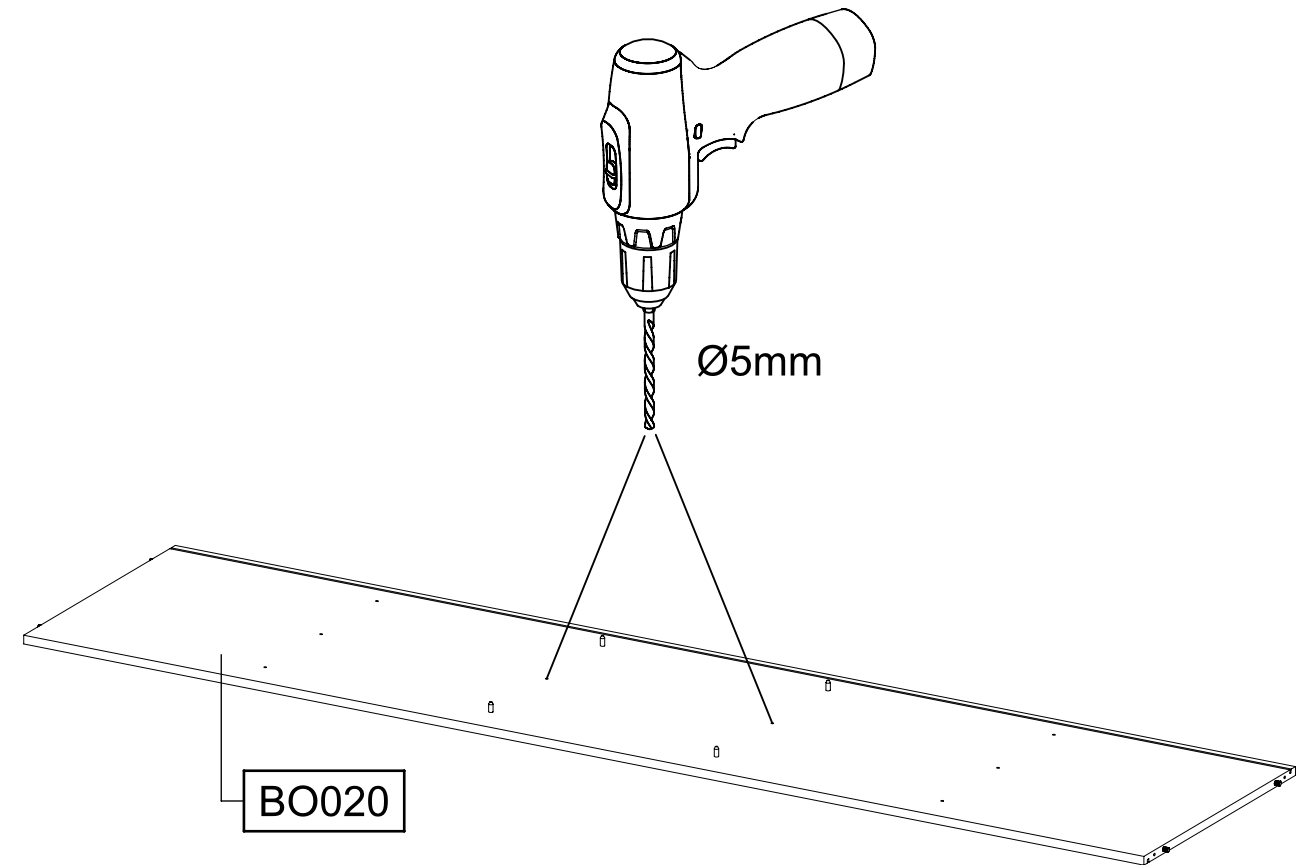
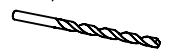
4x

807



12

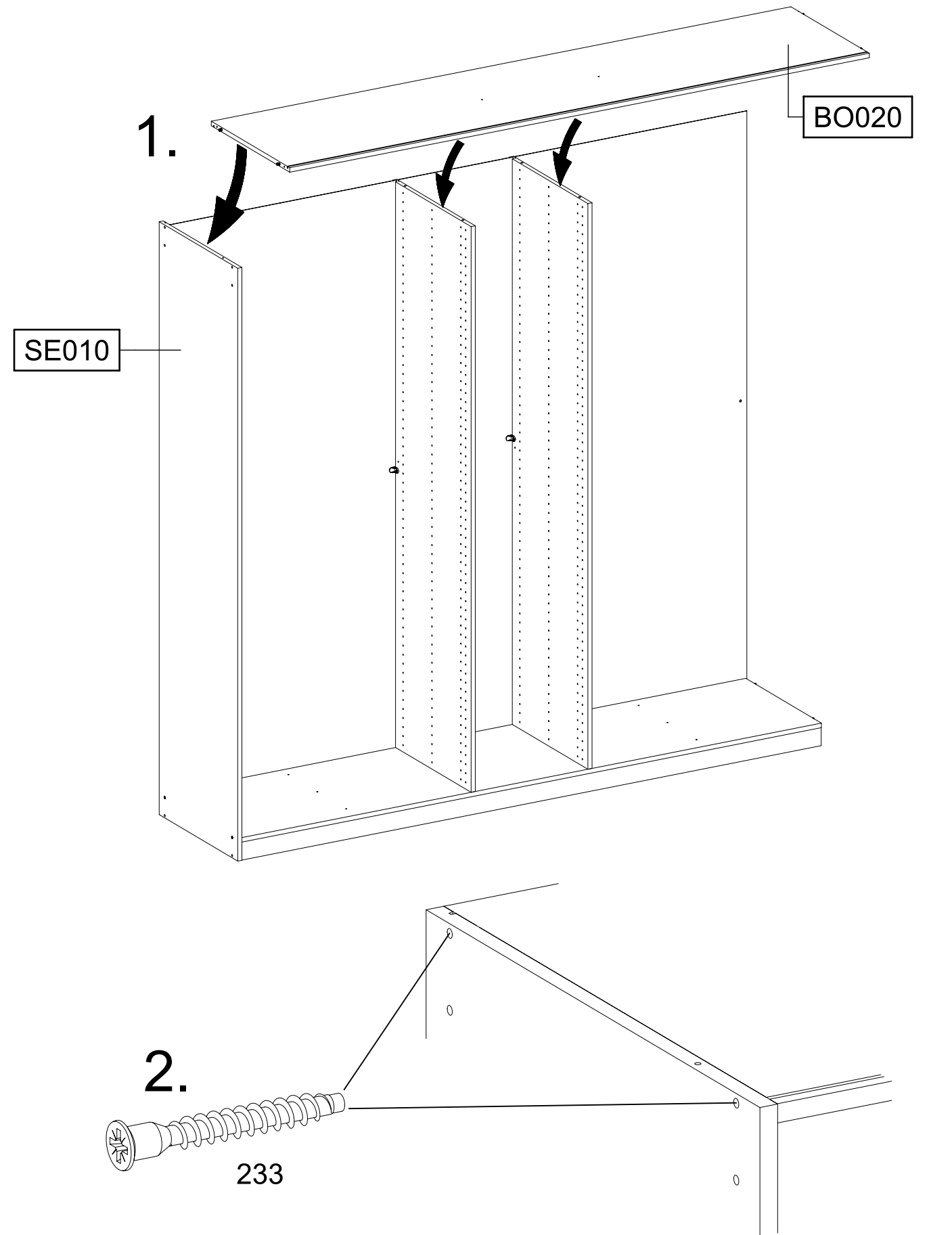
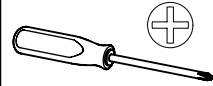
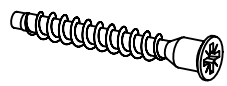
Ø5mm



13

2x 233

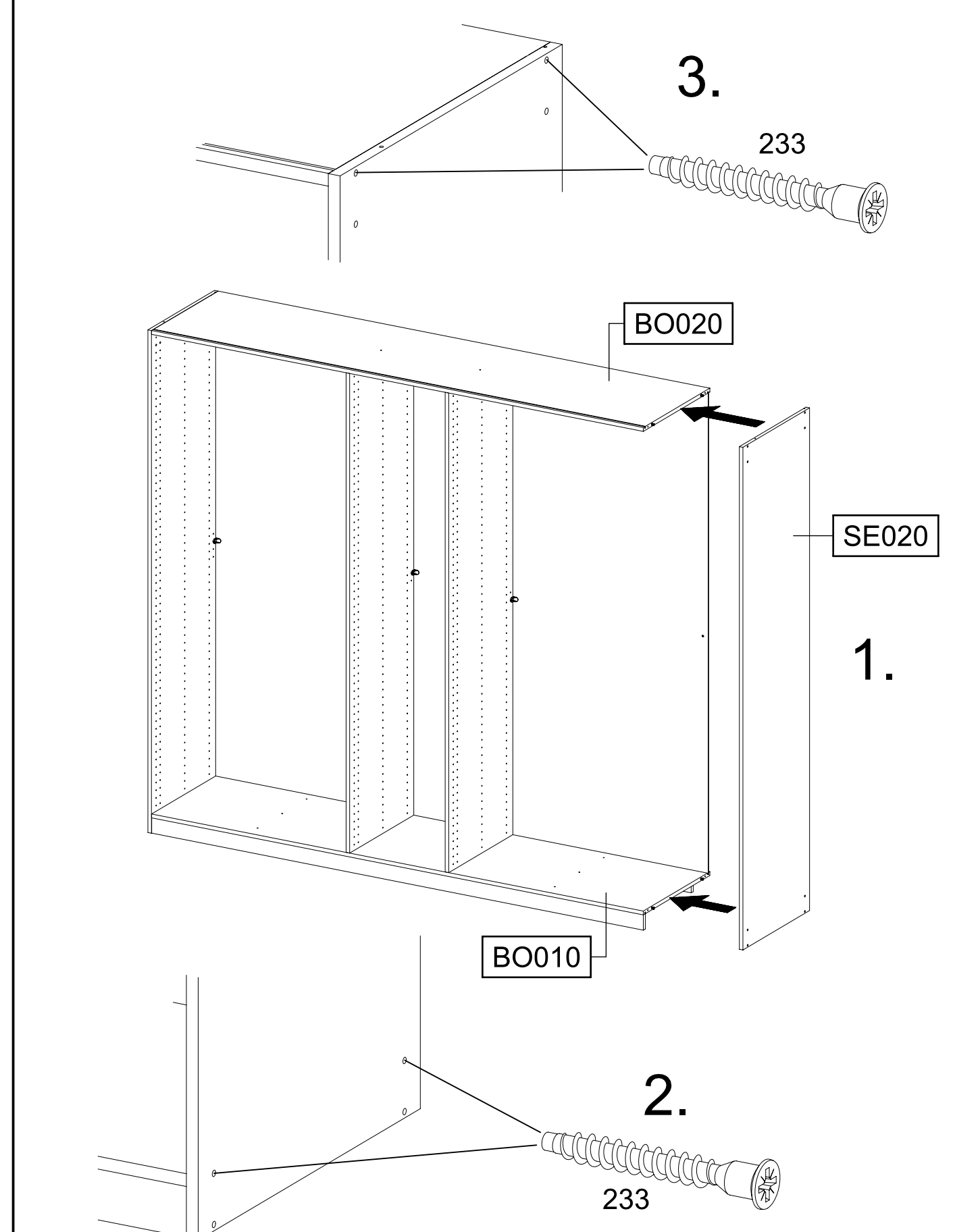
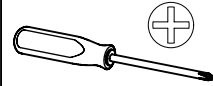
6,3x50



14

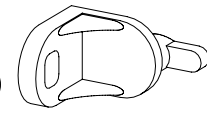
4x 233

6,3x50



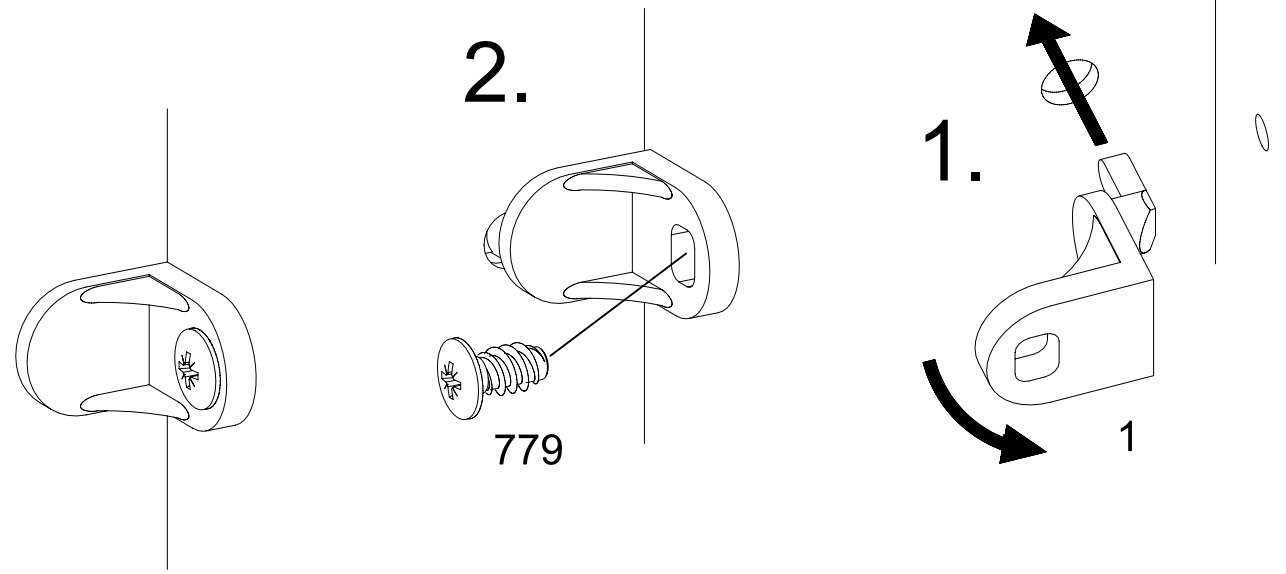
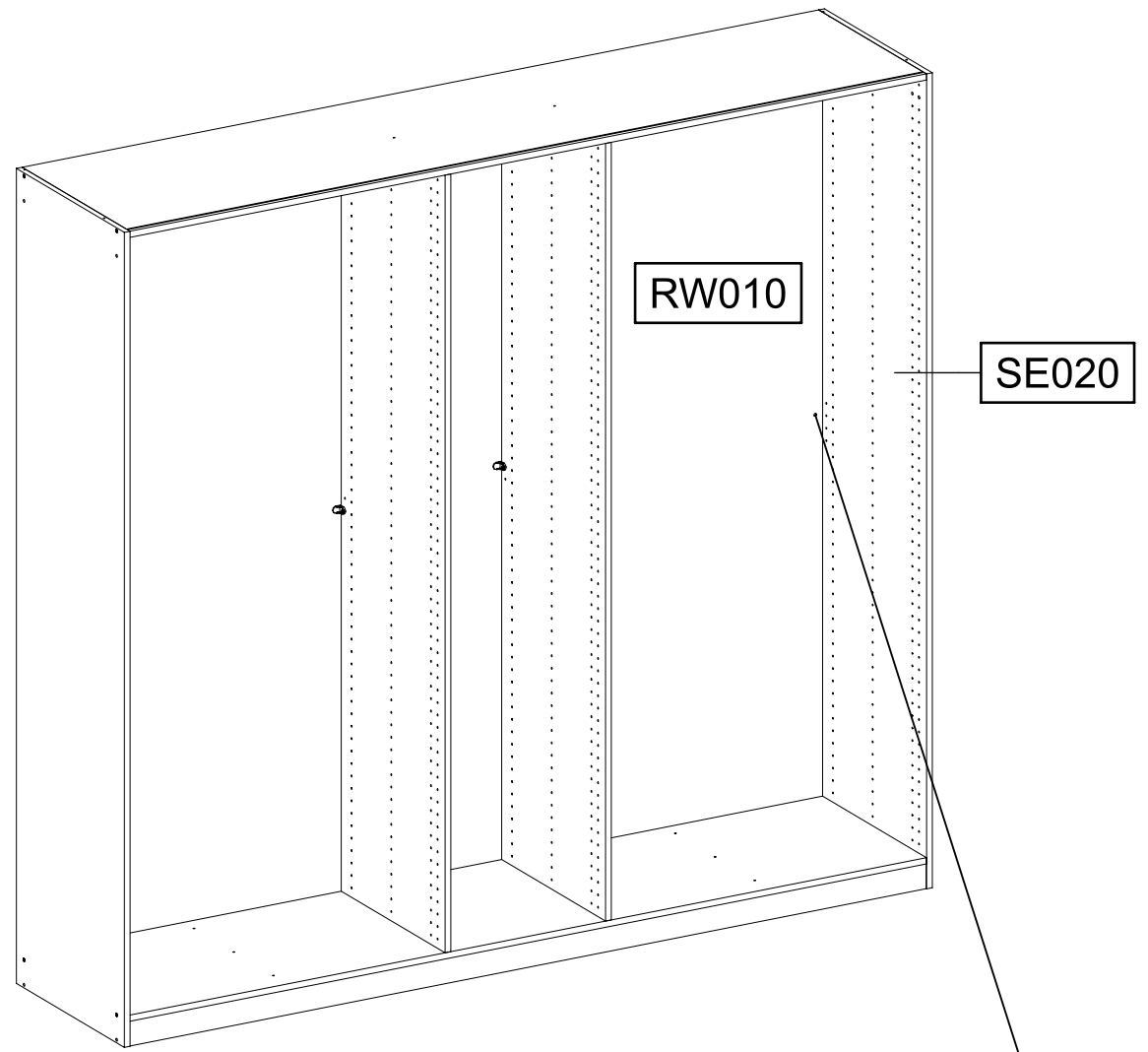
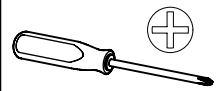
15

1x 1



1x 779

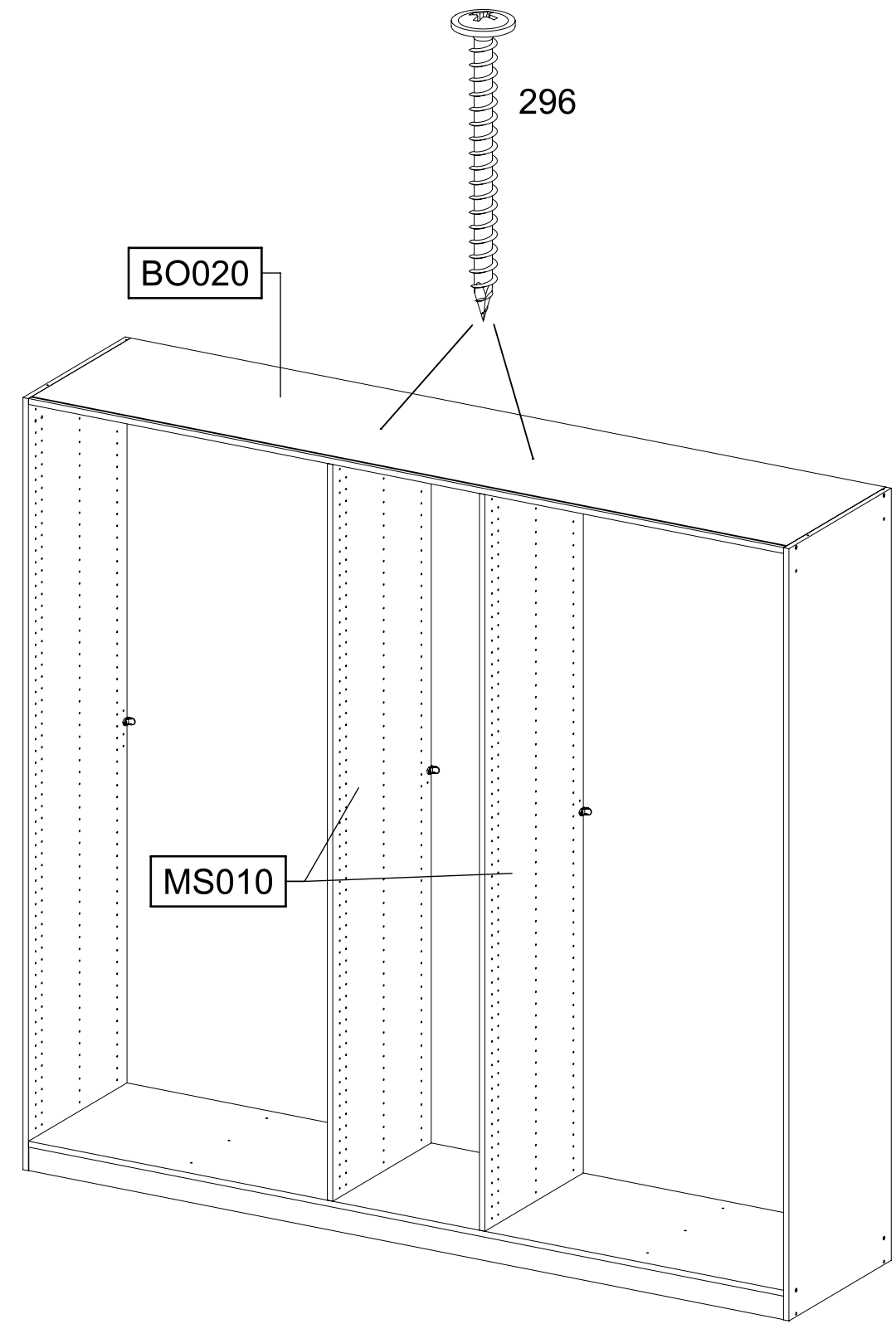
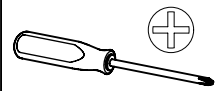
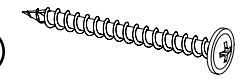
6,5x12



16

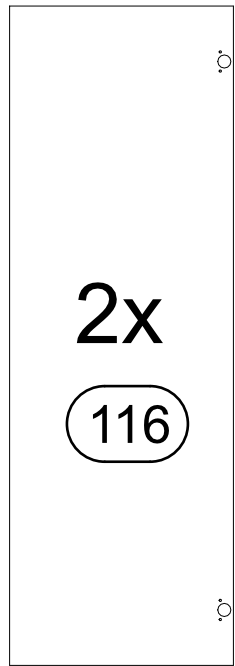
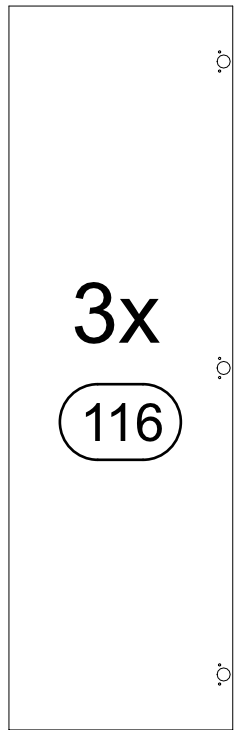
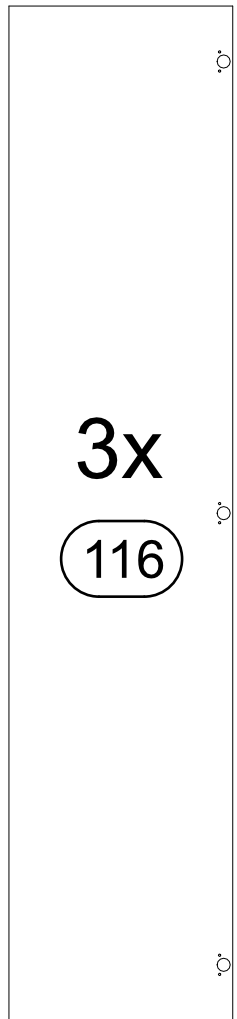
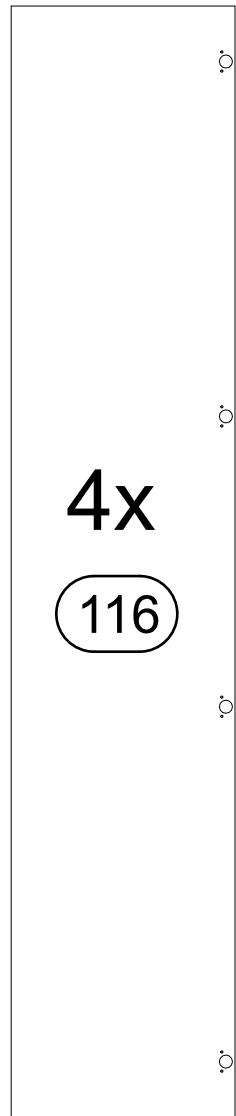
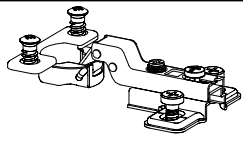
2x 296

4,5x50



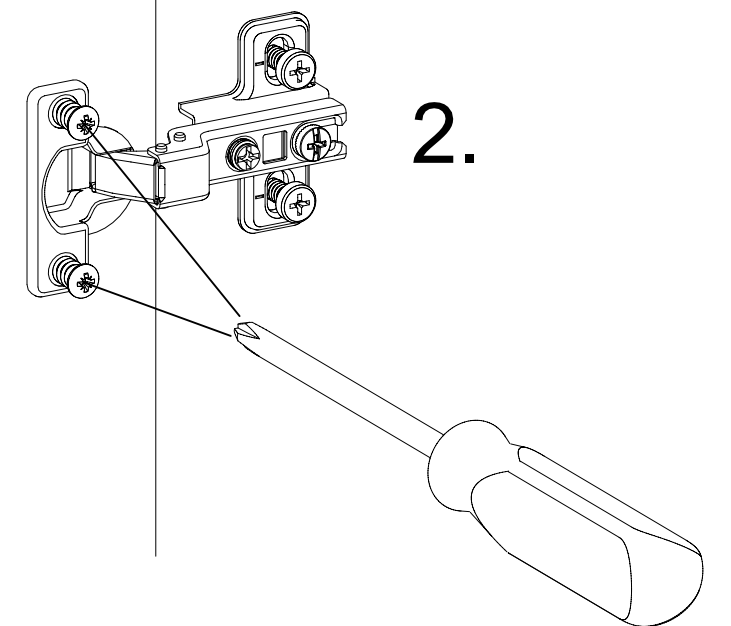
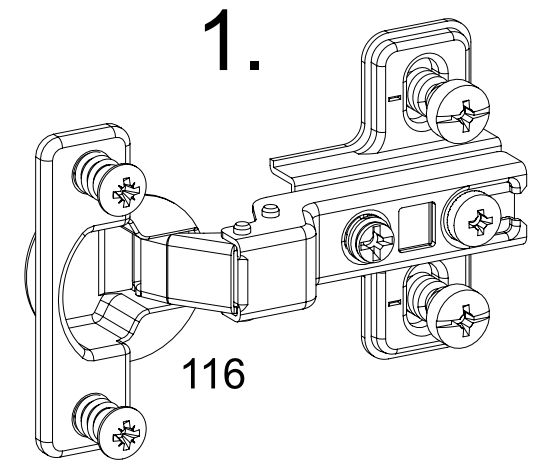
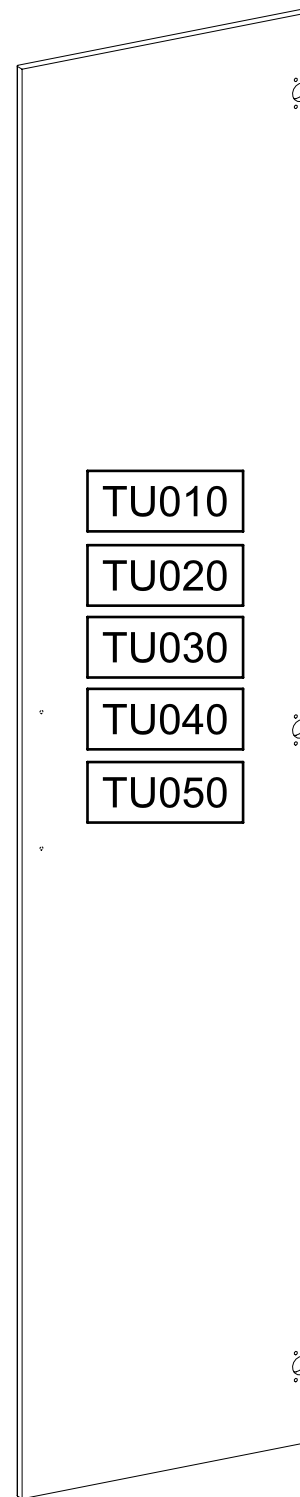
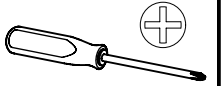
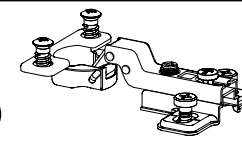
17

116

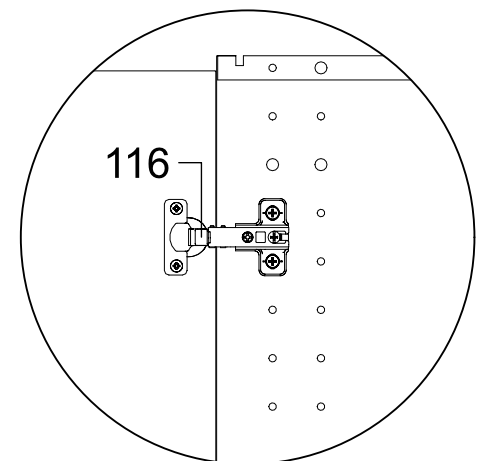
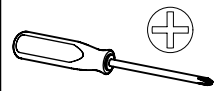


18

15x 116

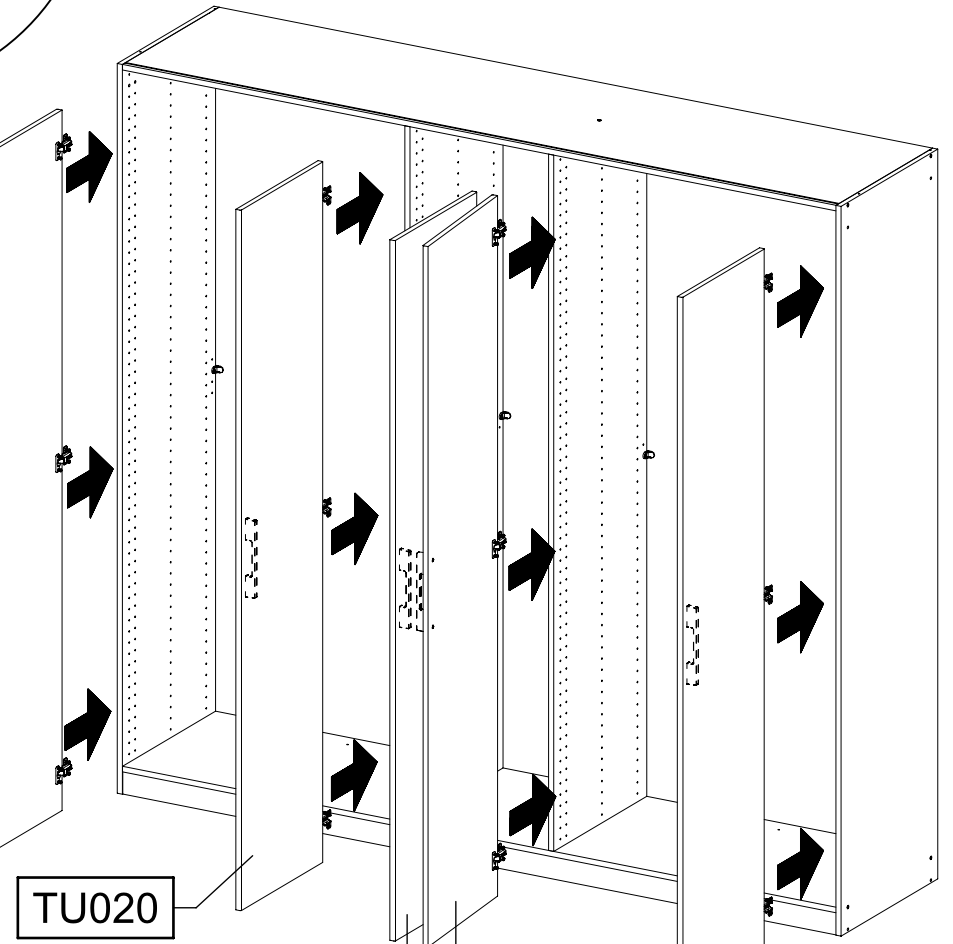


19



1.

TU010



TU020

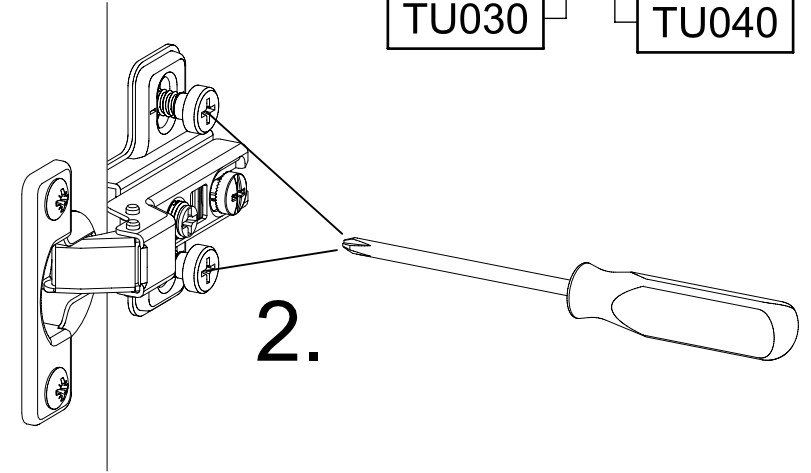
TU030

TU040

TU050

TU010
TU020
TU030
TU040
TU050

2.

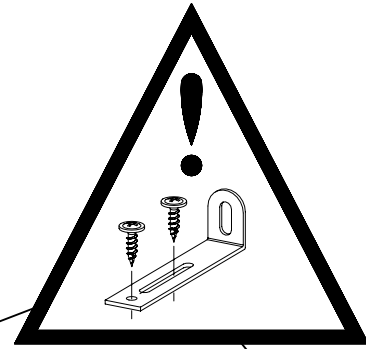
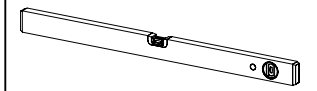
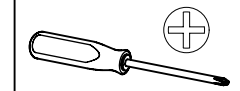
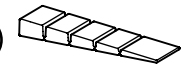


20

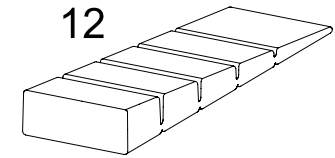
2x

12

55x16x6,2

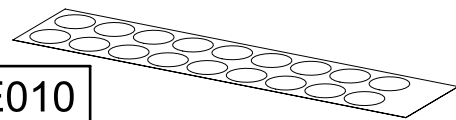


12

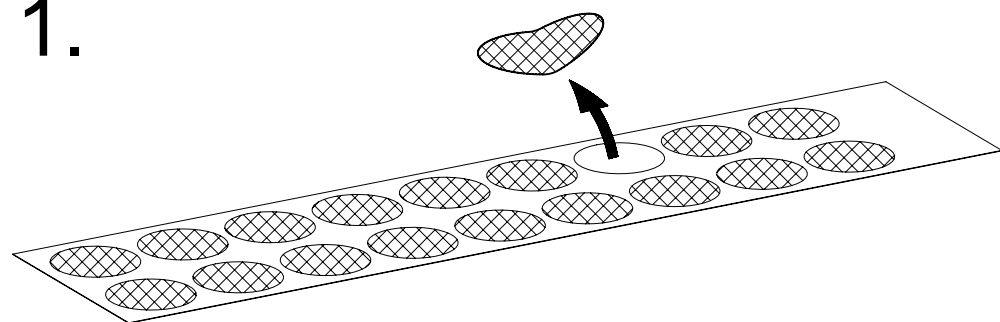


21

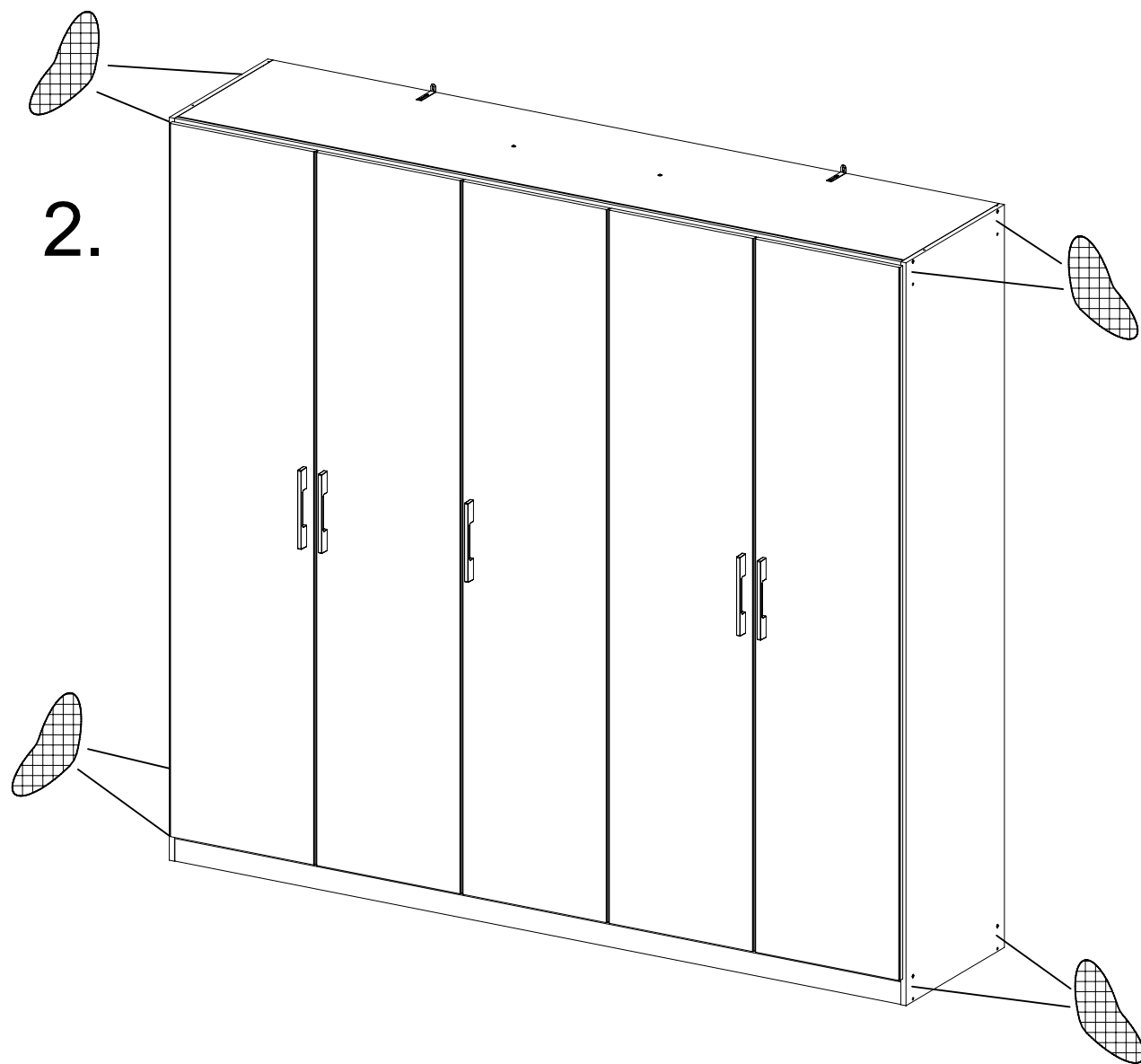
1x RE010



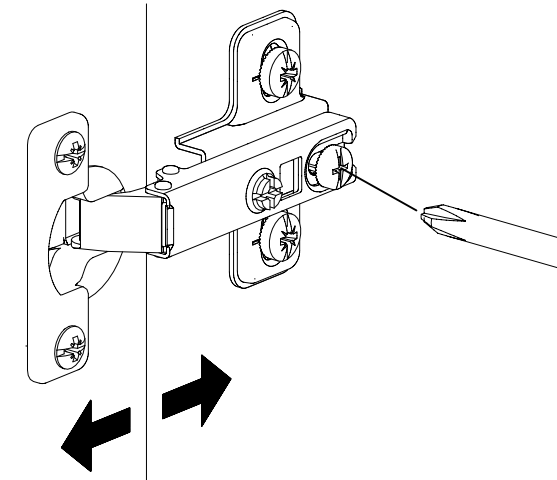
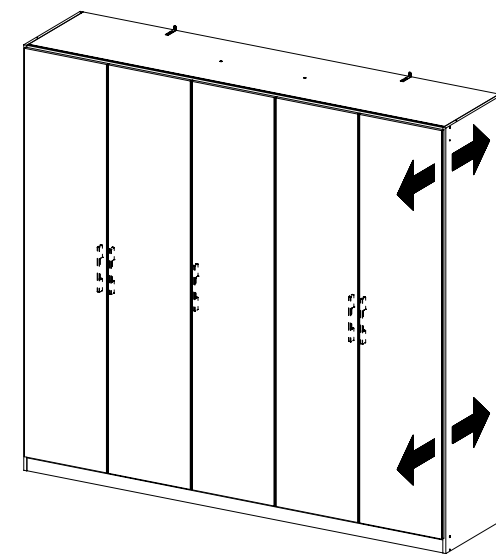
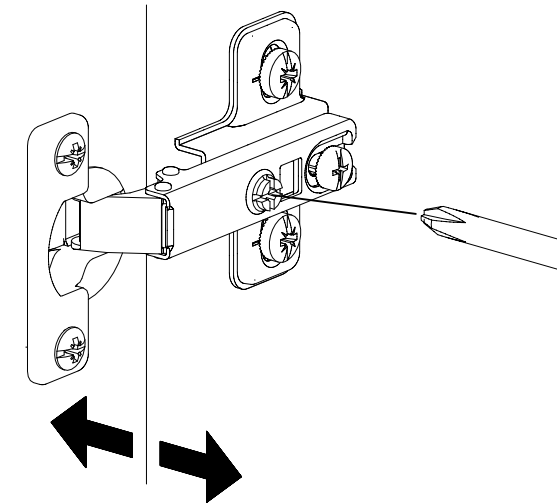
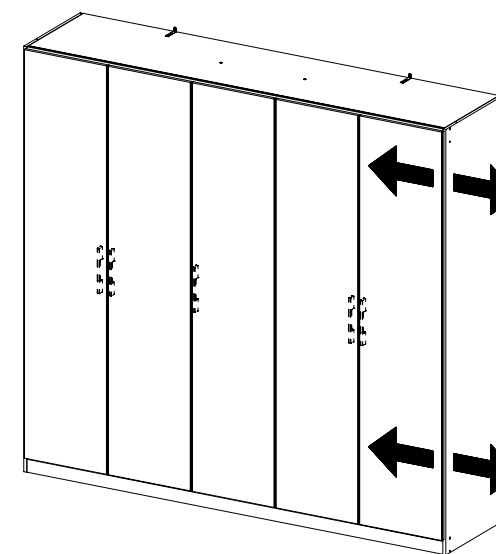
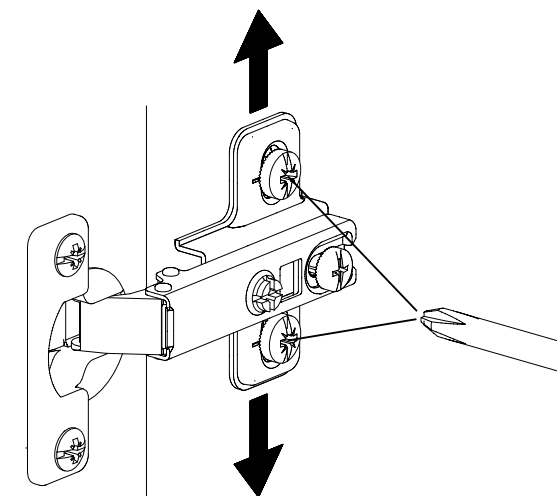
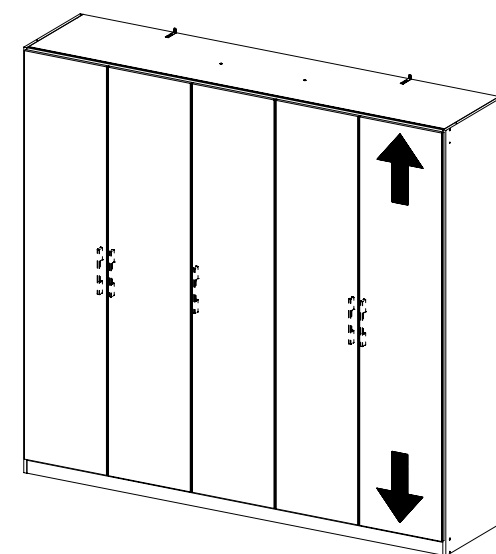
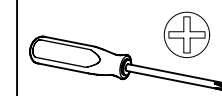
1.

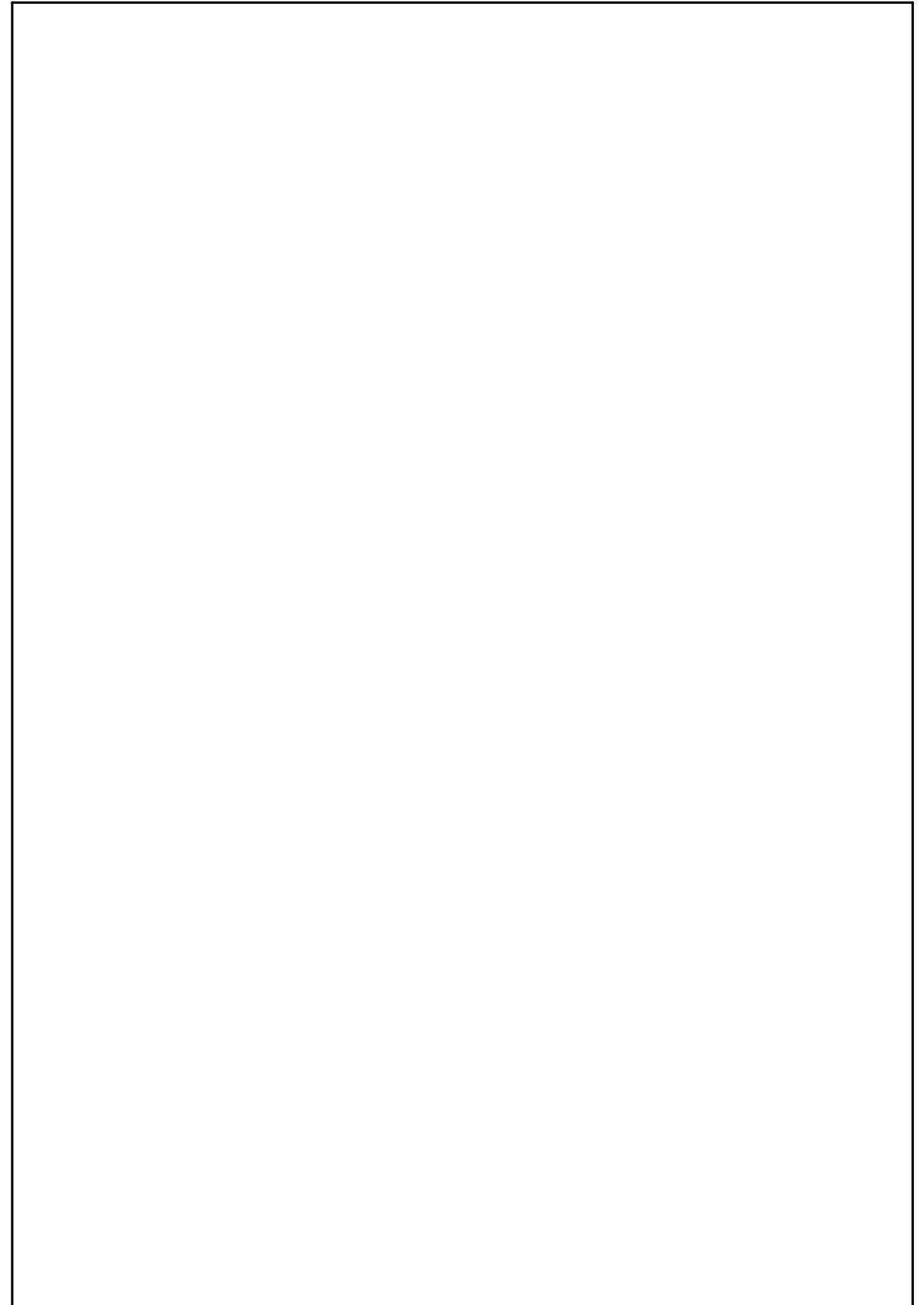
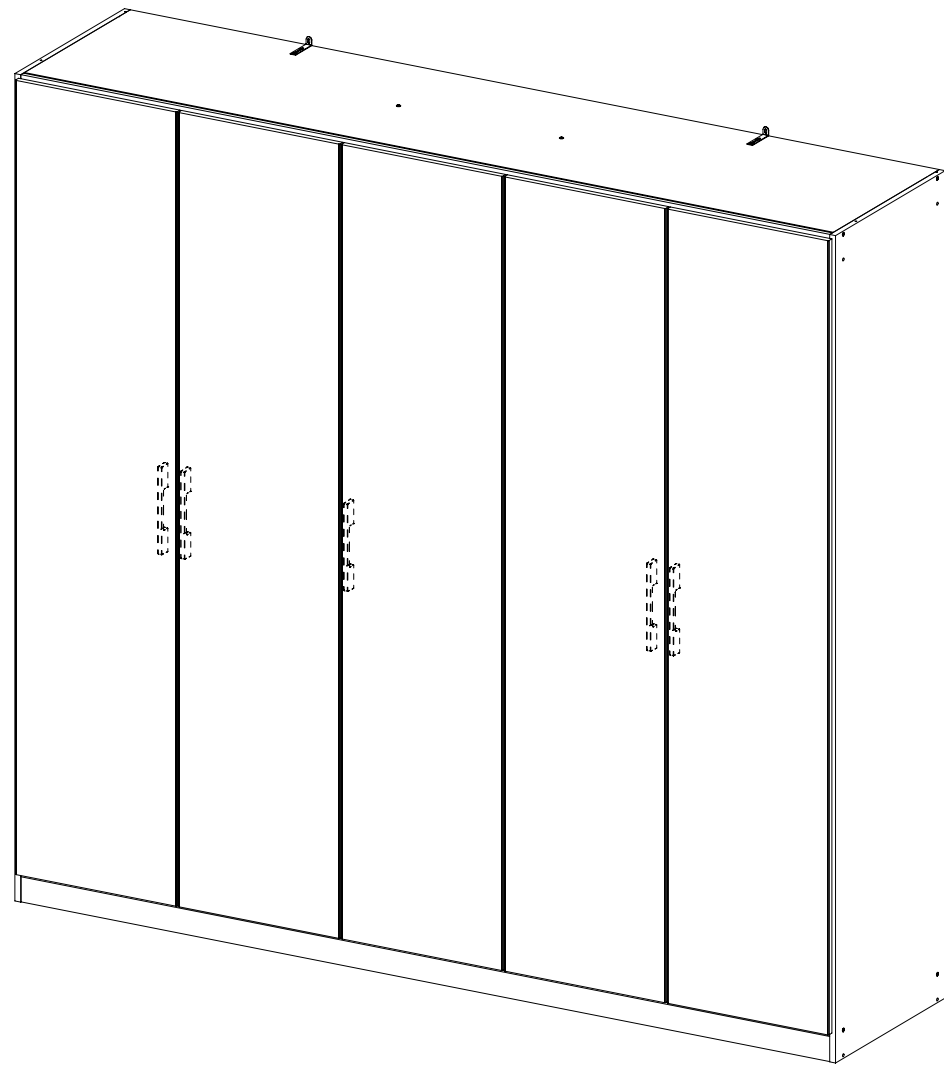


2.



22

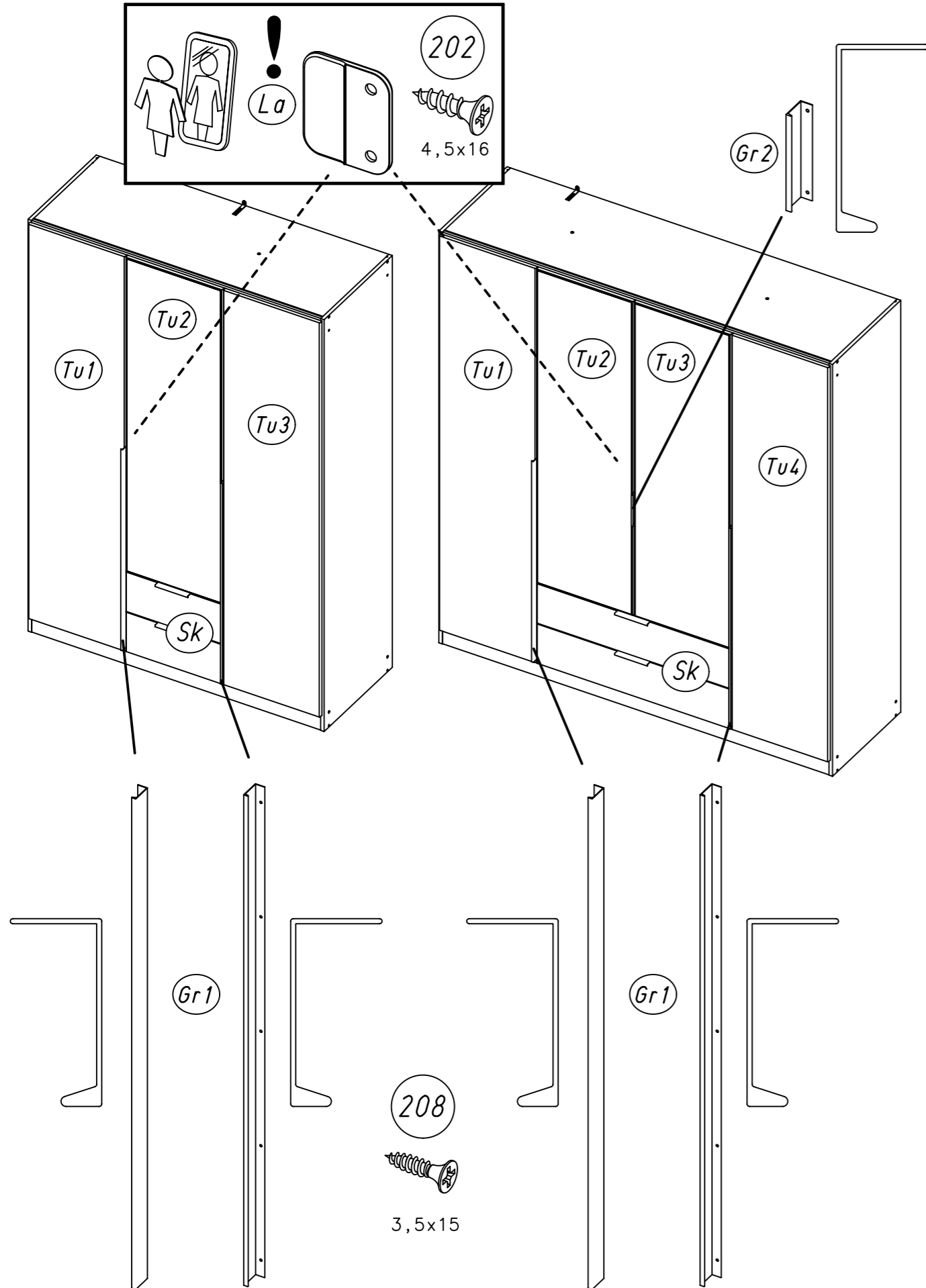




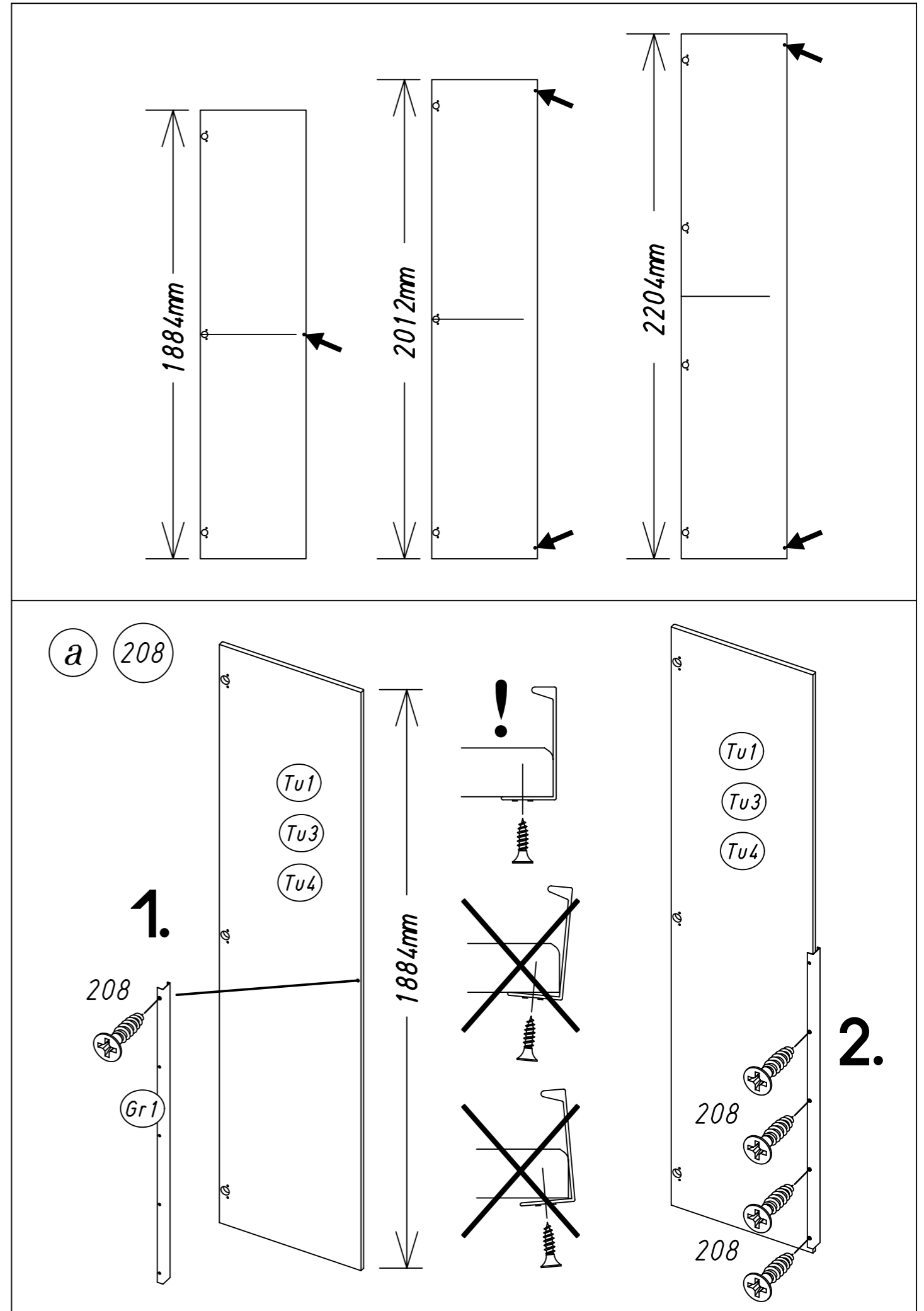
1.

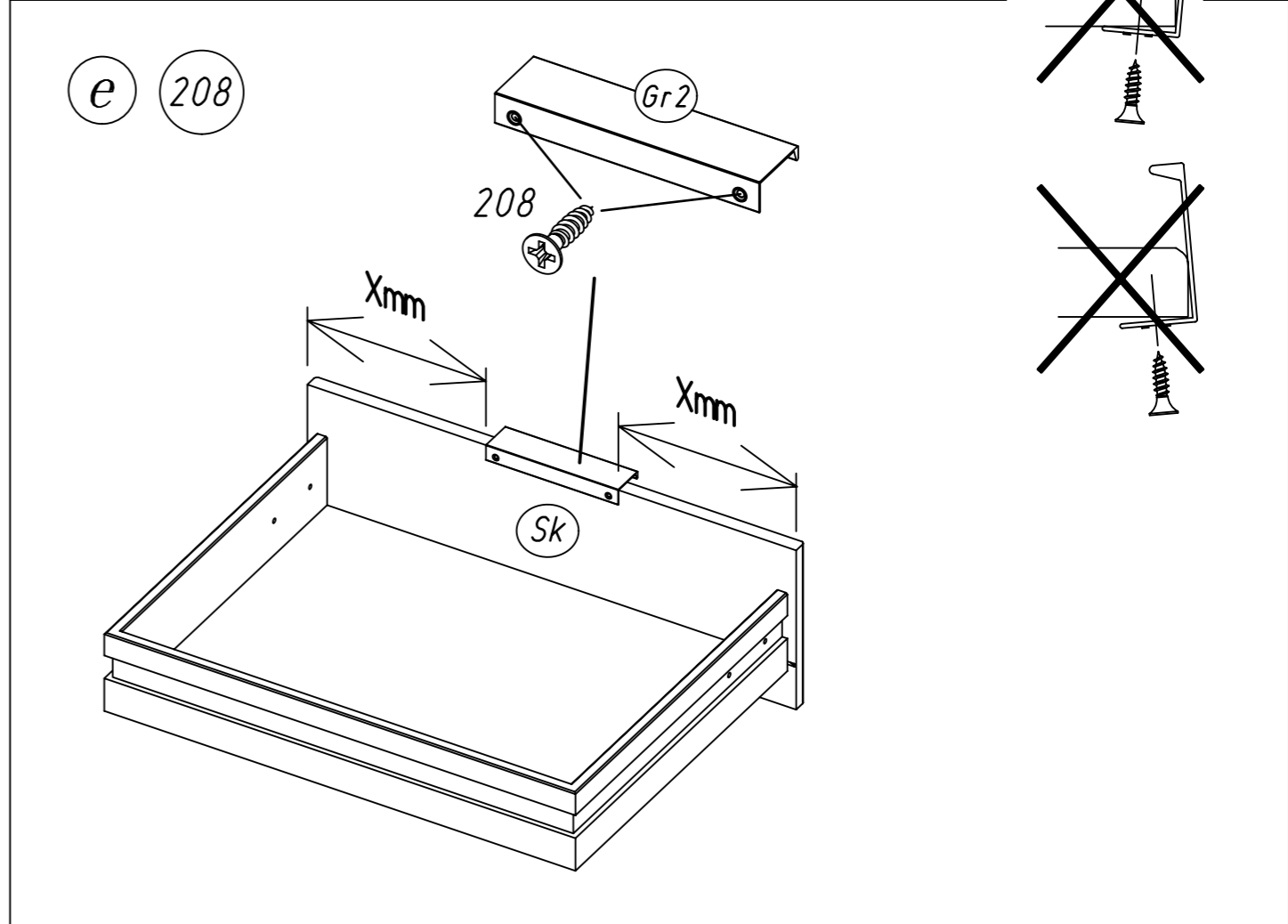
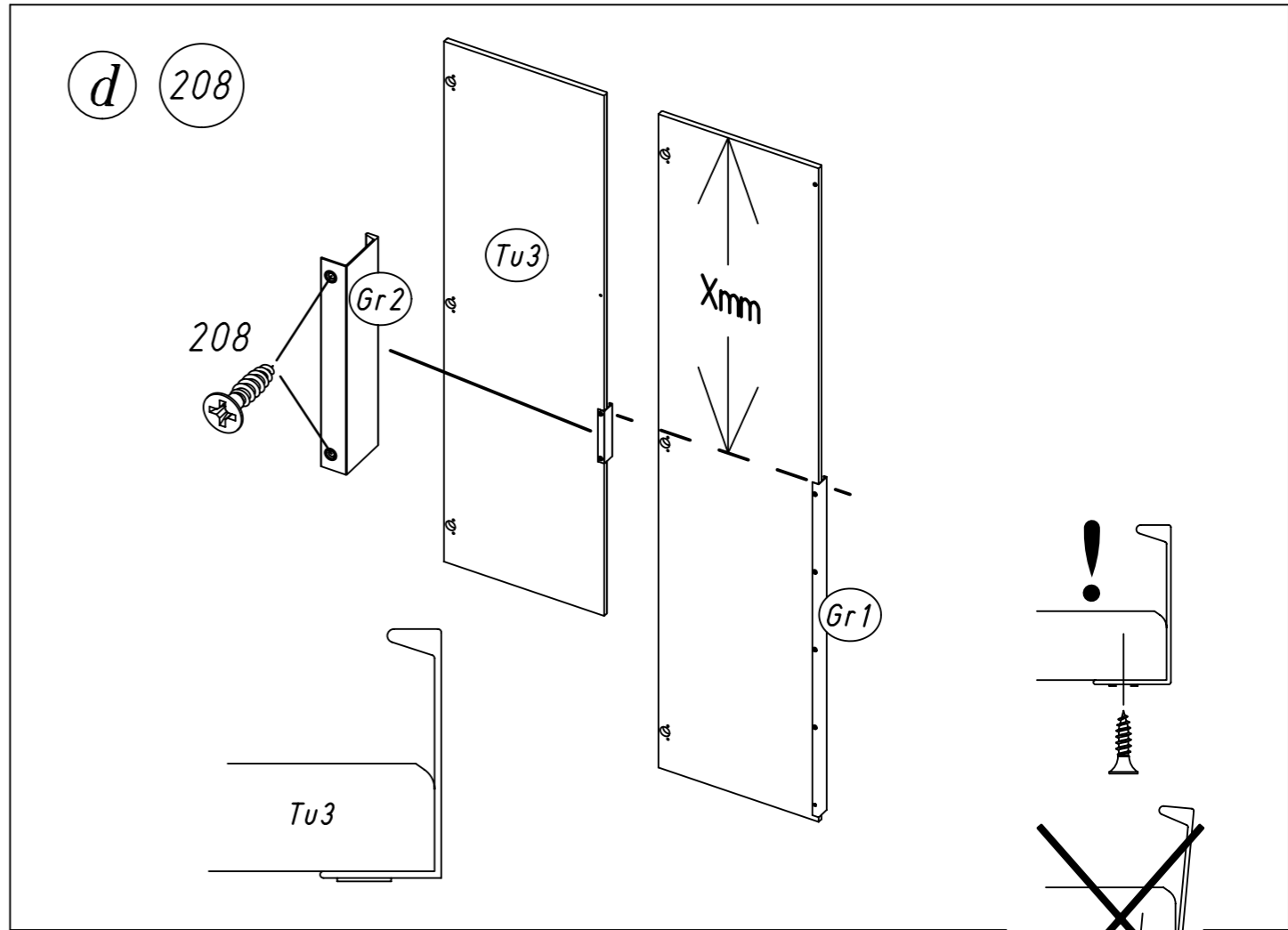
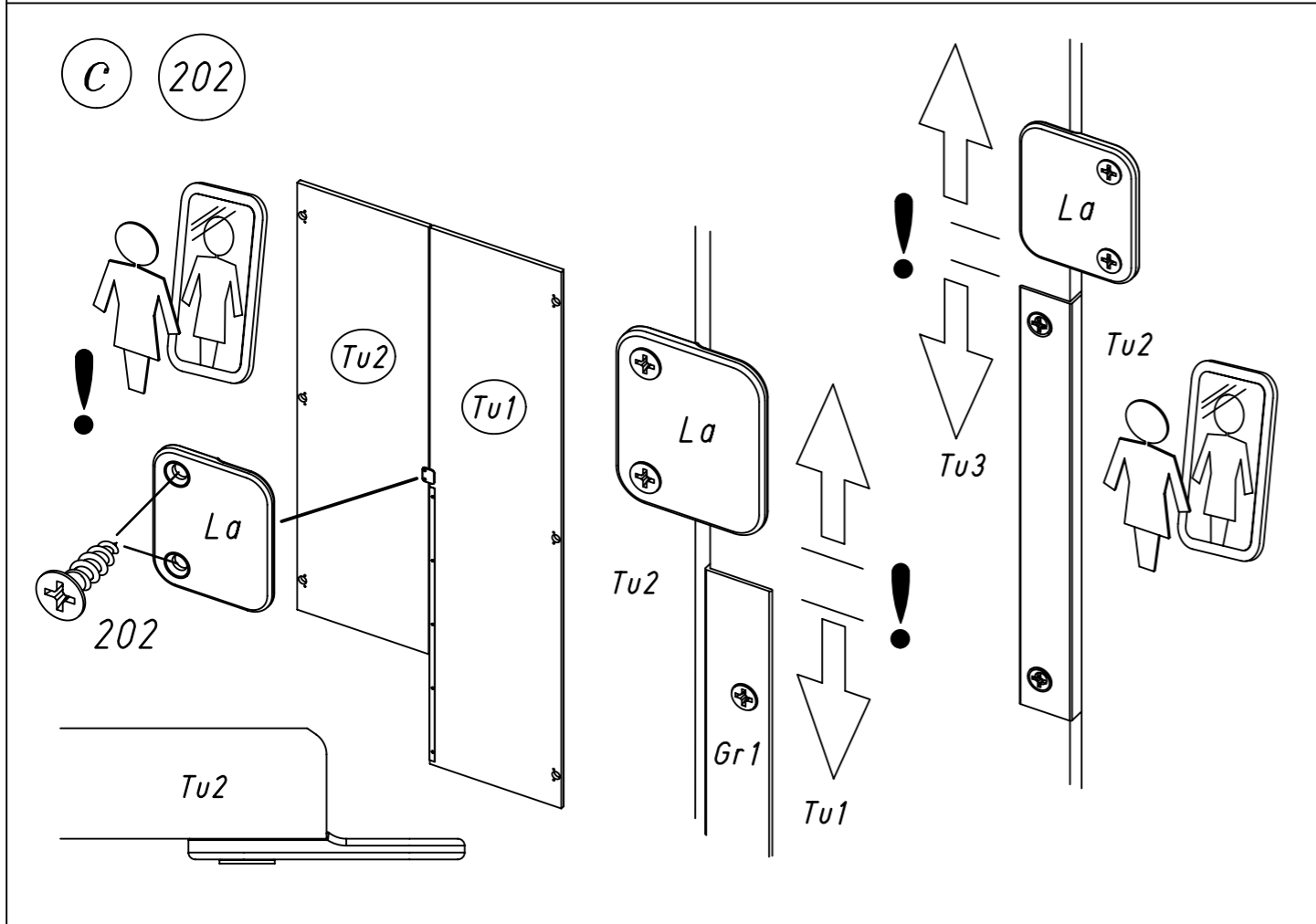
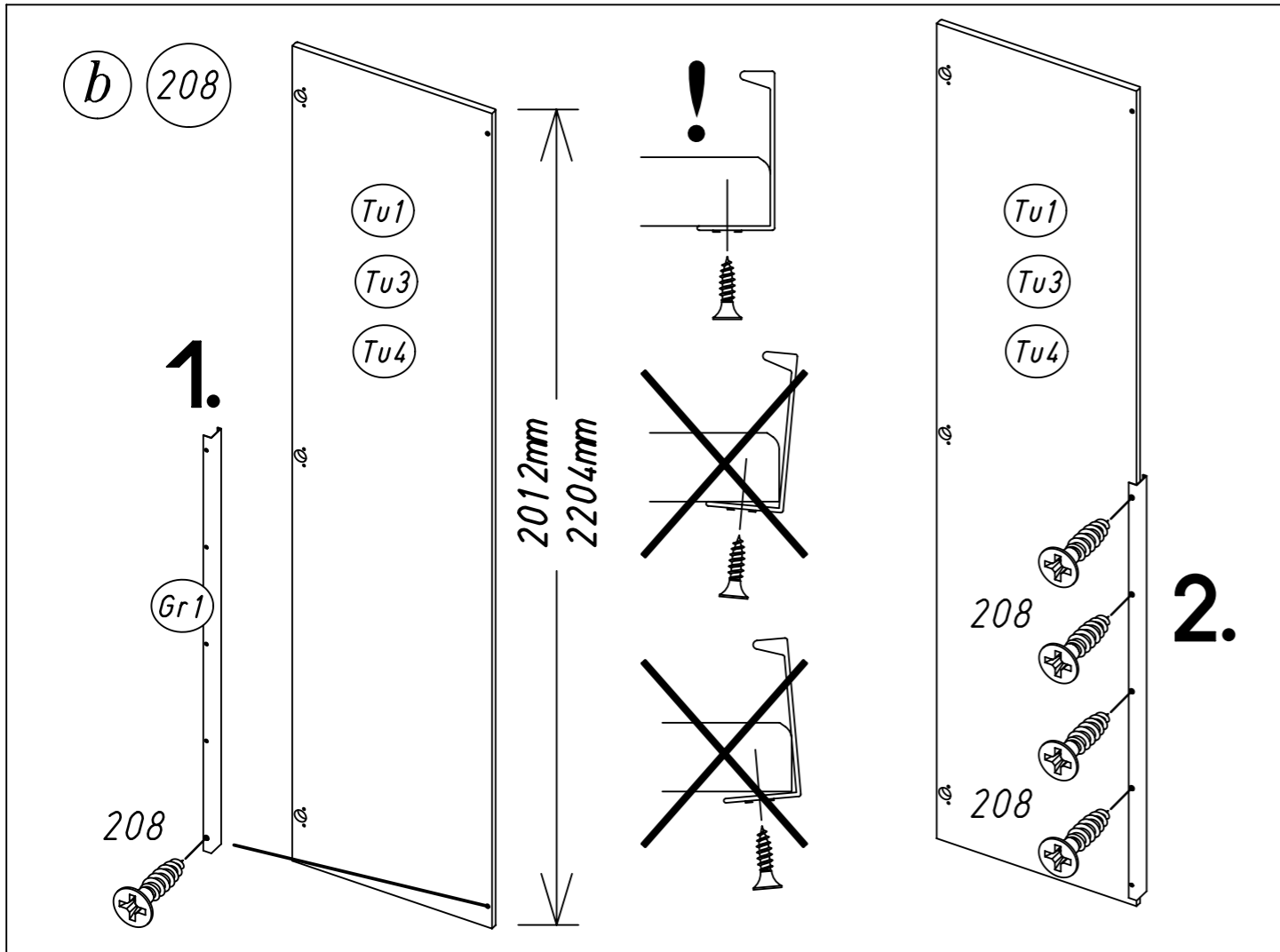
MZ056_01

rauch



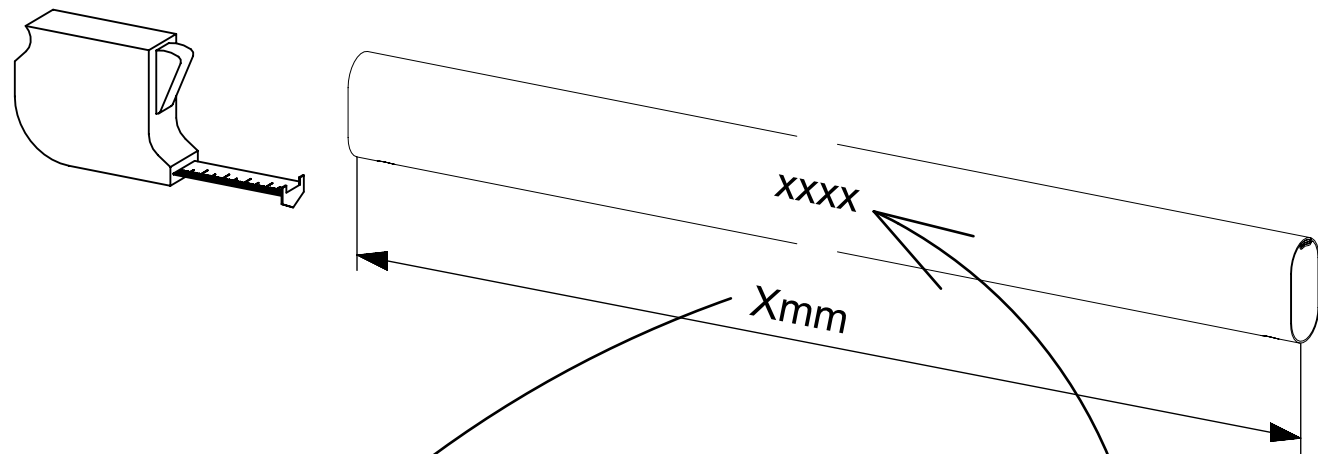
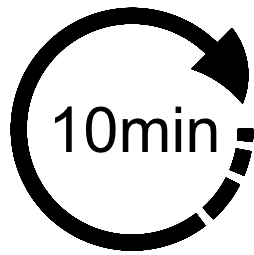
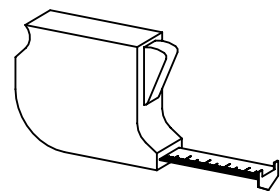
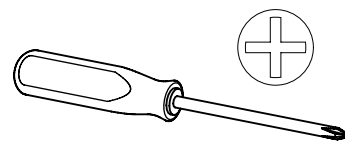
2.





MZ110_03

rauch



Xmm		xxxx
393mm	max. 40kg	2000
426mm	max. 40kg	2001
563mm	max. 40kg	2002
650mm	max. 40kg	2003
809mm	max. 40kg	2004
873mm	max. 40kg	2006
890mm	max. 40kg	2010
1097mm	max. 40kg	2008

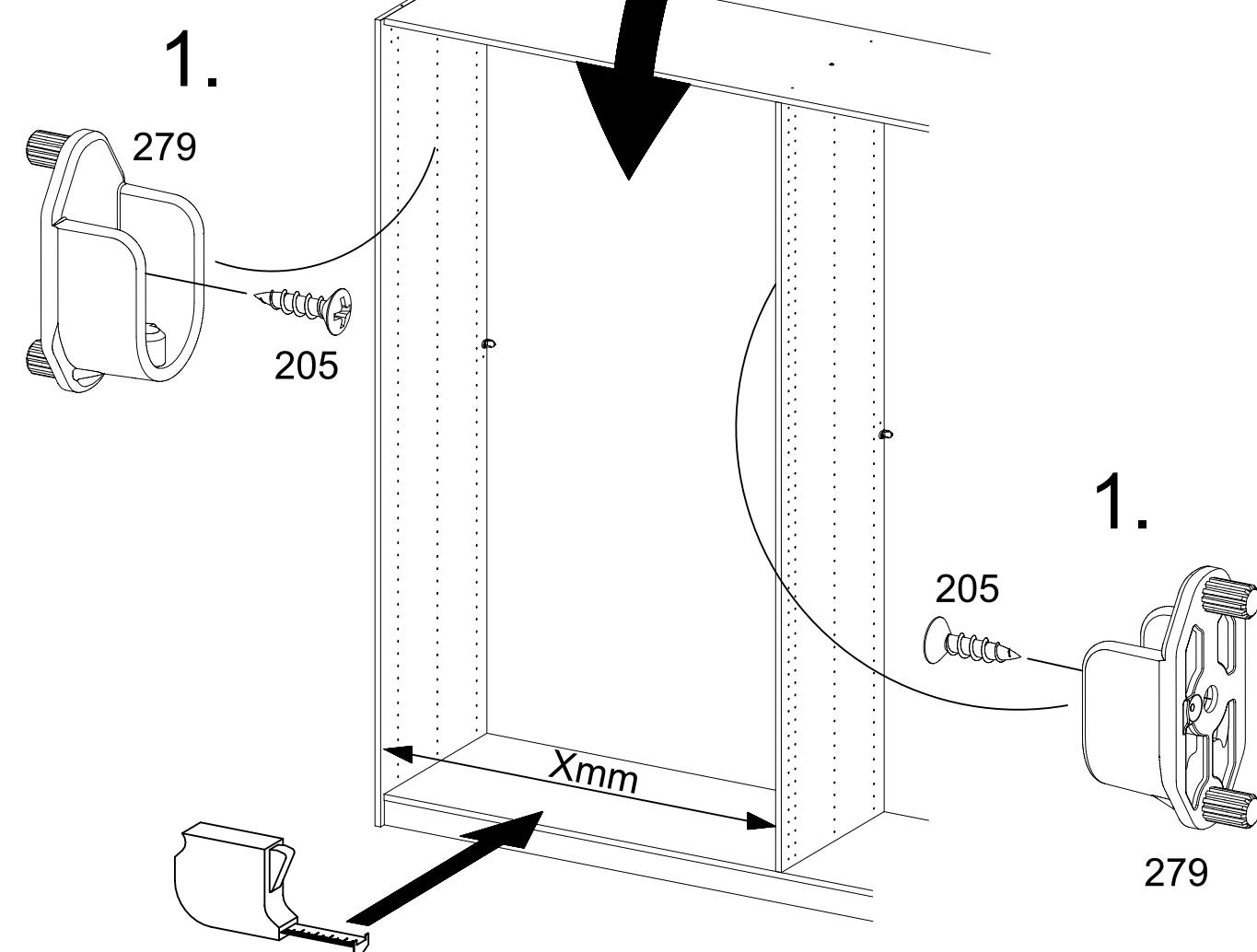
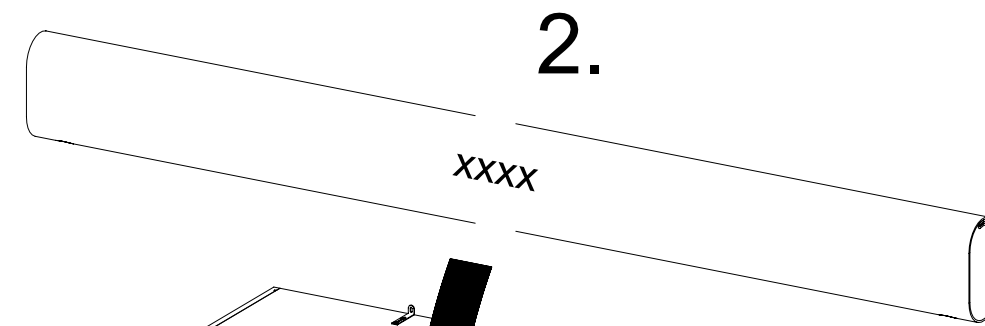
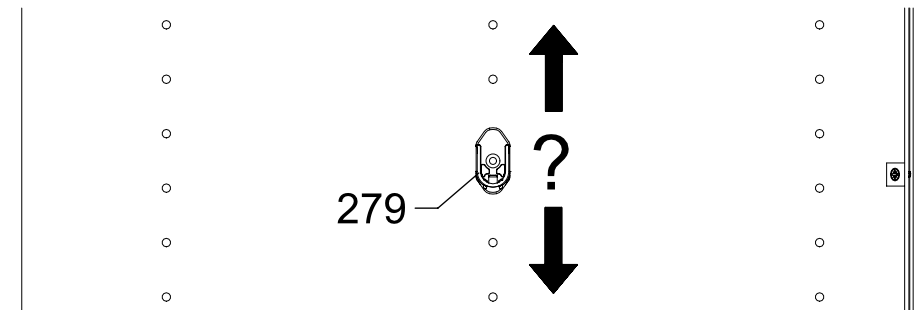
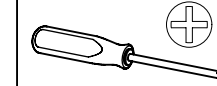
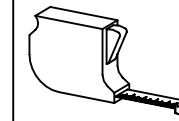


xxxx = 2000, 2001, 2002, 2003, 2004, 2006, 2008, 2010,

1

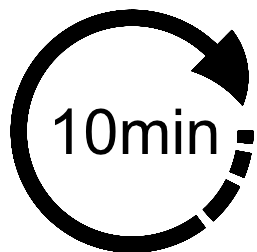
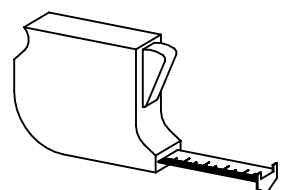
2x 3,5x15

2x

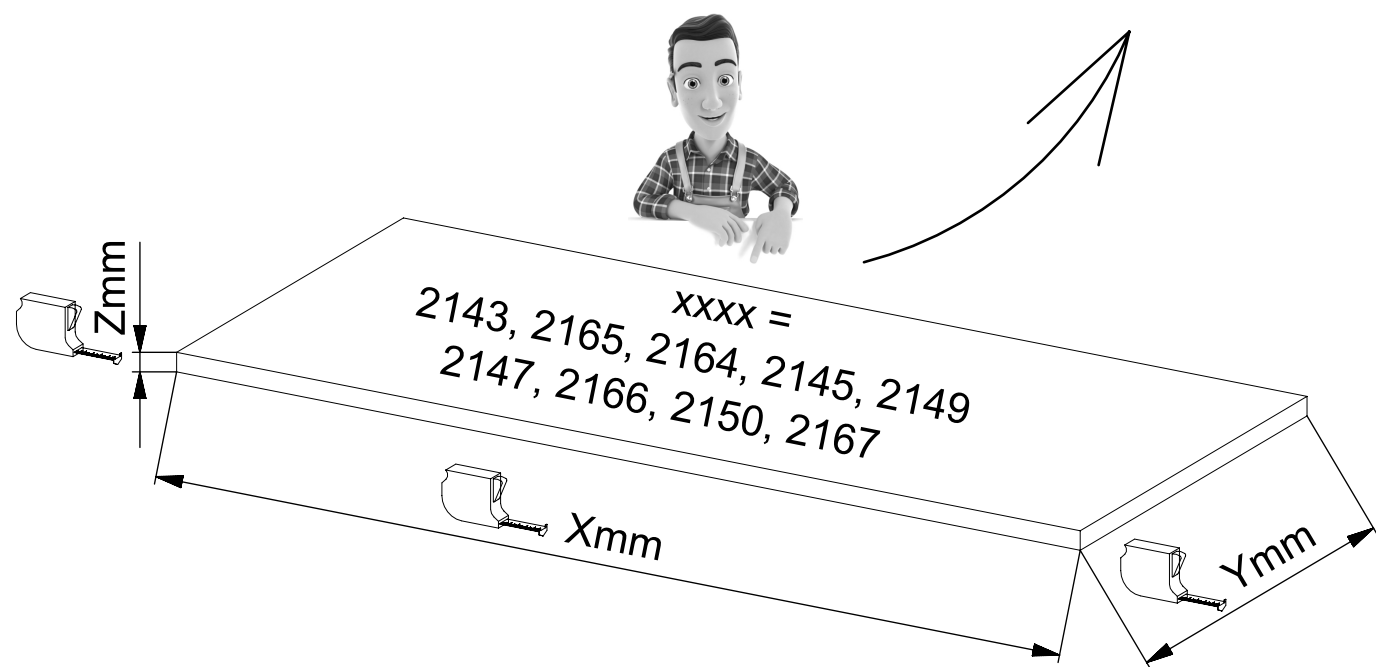


MZ112_05

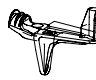
rauch

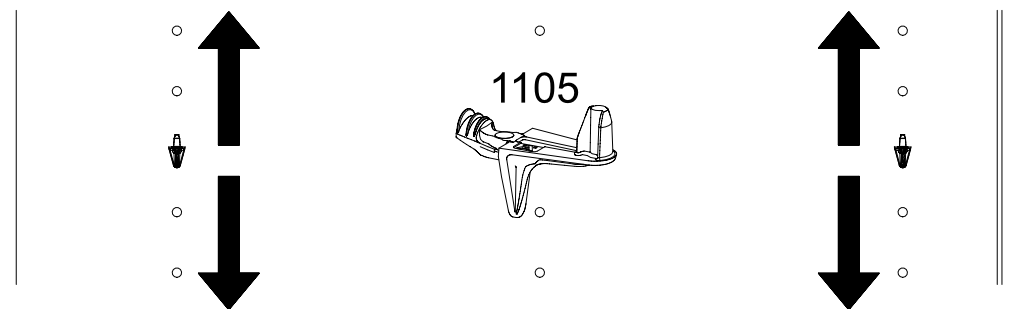


Xmm	Ymm	Zmm	 	xxxx
432mm	450mm	16mm	max. 10kg	2143
632mm	450mm	16mm	max. 10kg	2164
656mm	450mm	16mm	max. 10kg	2145
848mm	450mm	16mm	max. 10kg	2149
880mm	450mm	16mm	max. 10kg	2147
1064mm	450mm	22mm	max. 25kg	2150
848mm	395mm	16mm	max. 10kg	2167



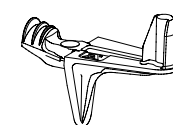
1

4x  1105

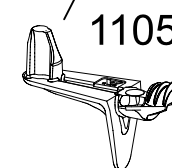


2.

1. 1105



1105



3.

