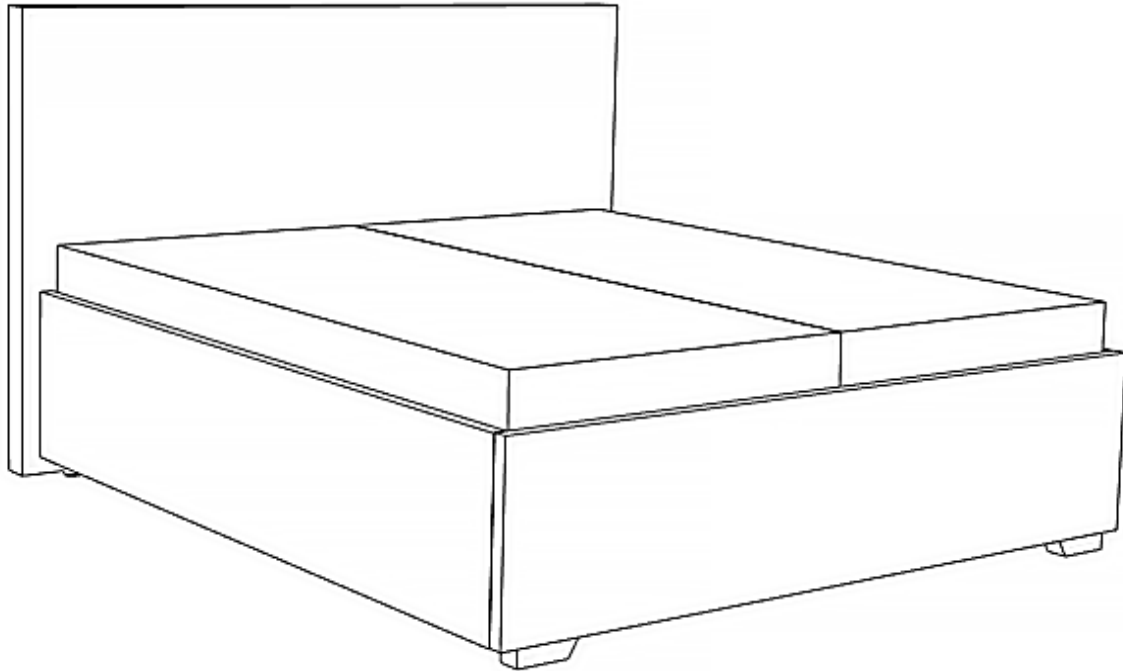
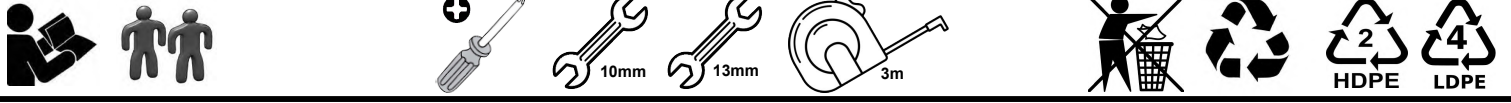


ARTOS/PORTOS/ATHEN oT 160/180

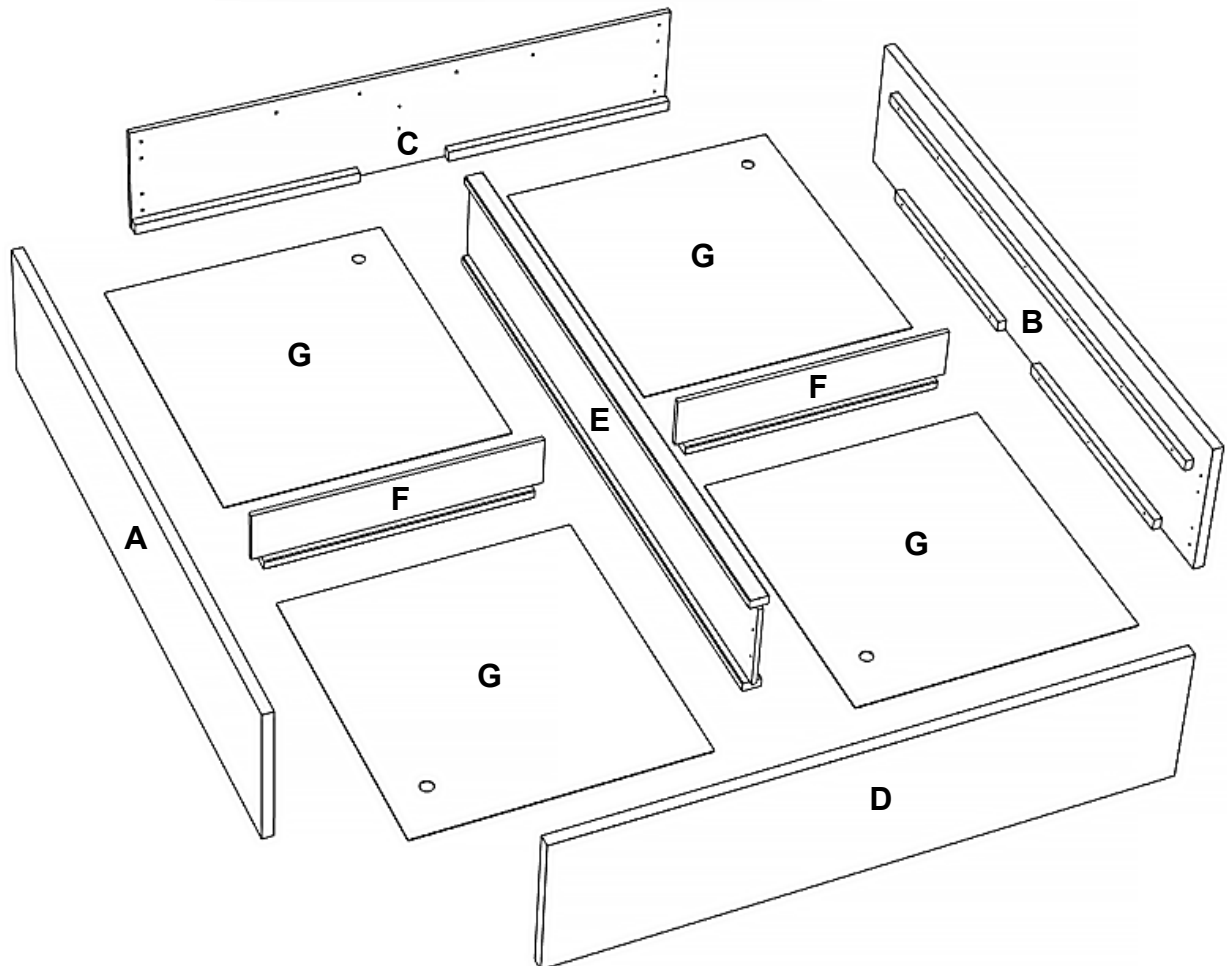
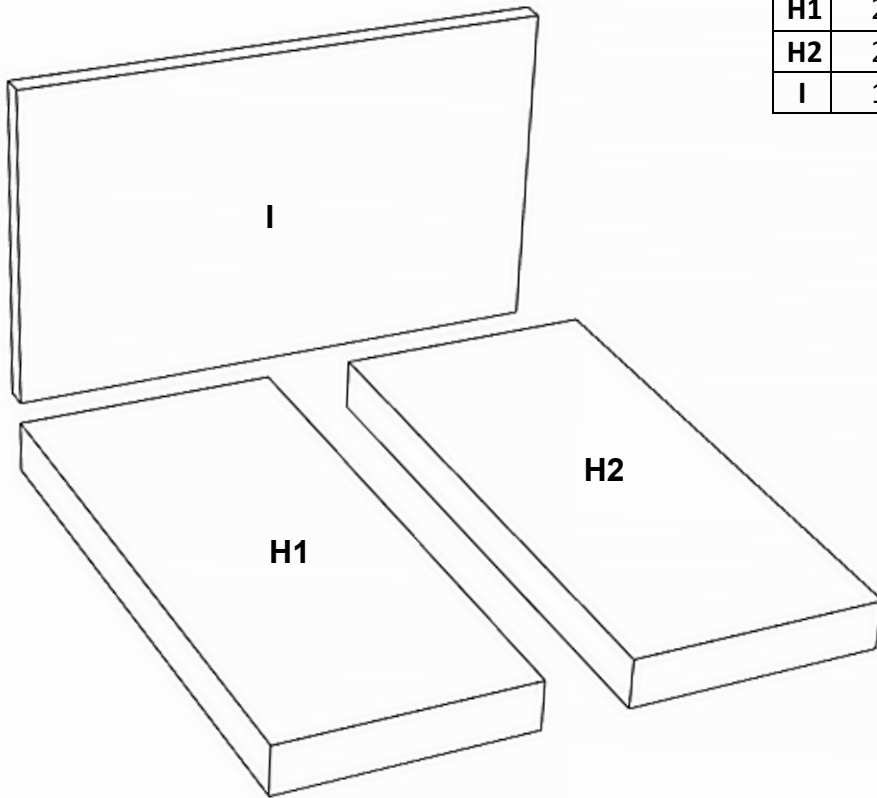
04082023

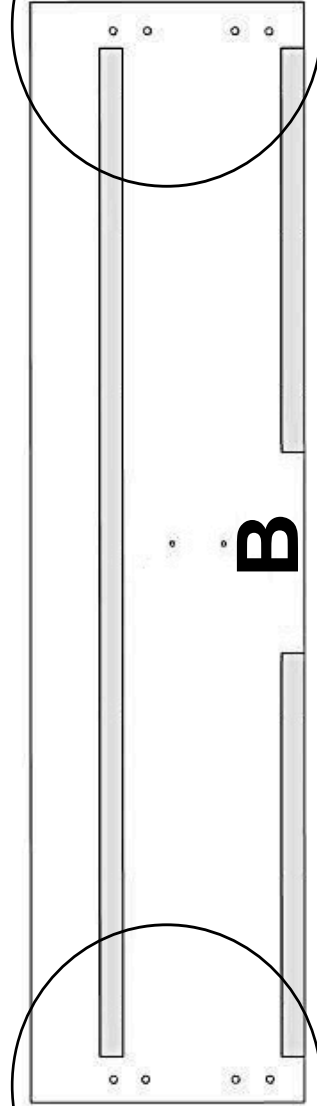
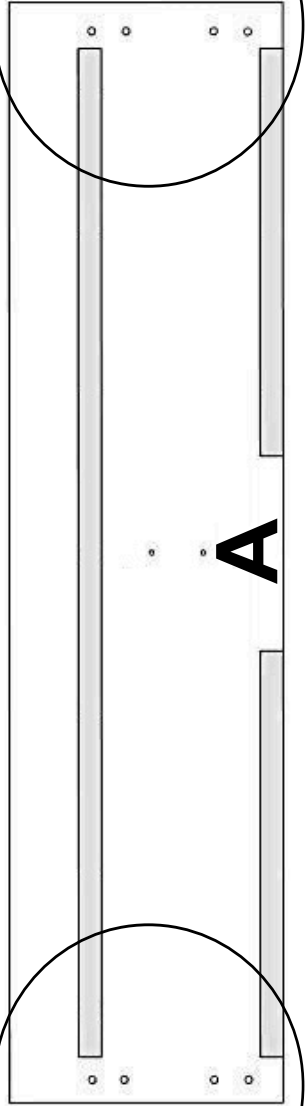
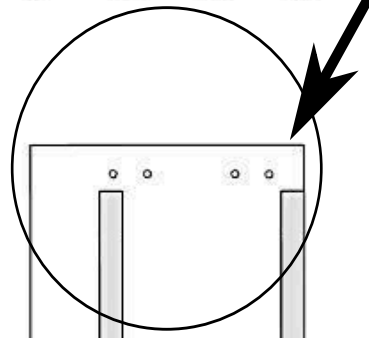
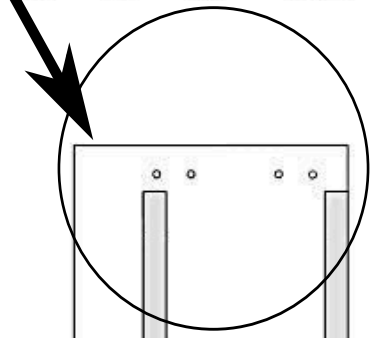
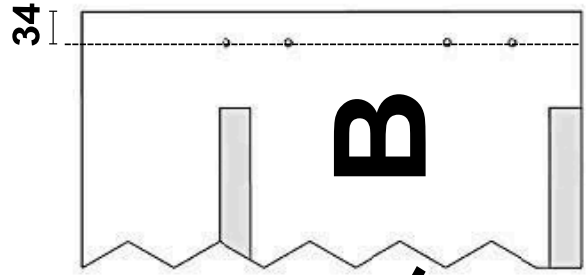
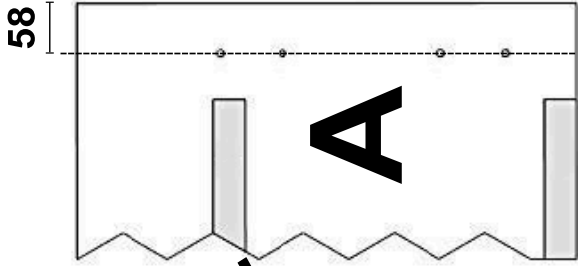


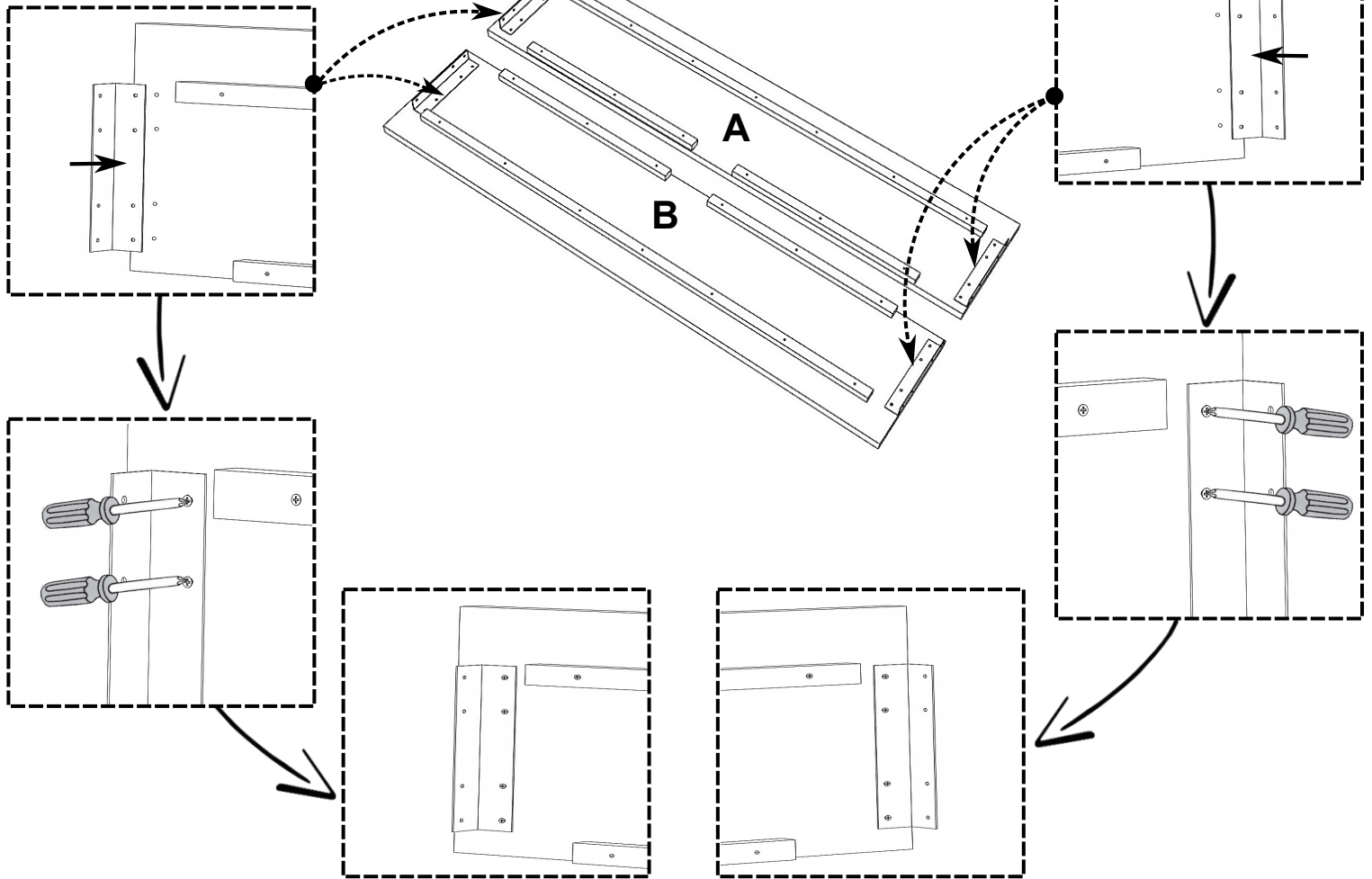
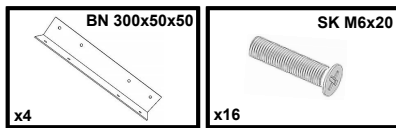
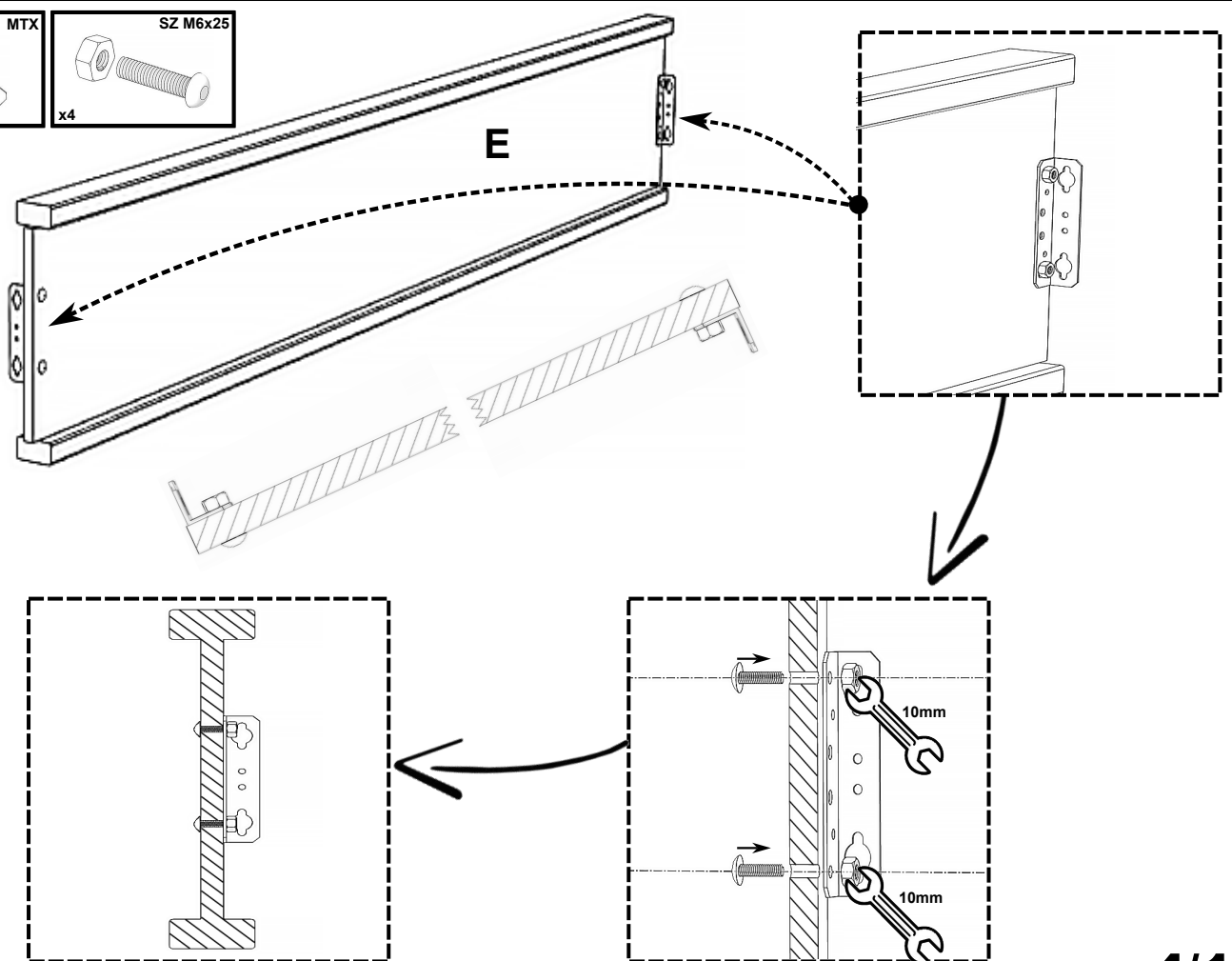
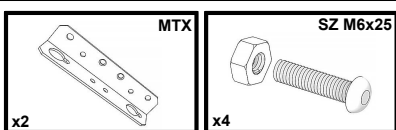
<p>SD 170/50/50/50</p> <p>x2</p>	<p>ST H50/50</p> <p>x4</p>	<p>KP 26x26x20</p> <p>8x</p>	<p>MTX</p> <p>x2</p>
<p>BN 300x50x50</p> <p>x4</p>	<p>RBM20 - L</p> <p>x2</p>	<p>RBM20 - R</p> <p>x2</p>	<p>SG 800/245</p> <p>x4</p>
<p>SK M6x20</p> <p>x44</p>	<p>PP M6</p> <p>x4</p>	<p>SZ M6x25</p> <p>x4</p>	<p>BP 10/10</p> <p>x32</p>
<p>WZ 5,0x30</p> <p>x4</p>	<p>WZ 4,0x40</p> <p>x4</p>	<p>WZ 3,5x16</p> <p>x16</p>	<p>M8x20</p> <p>x8</p>

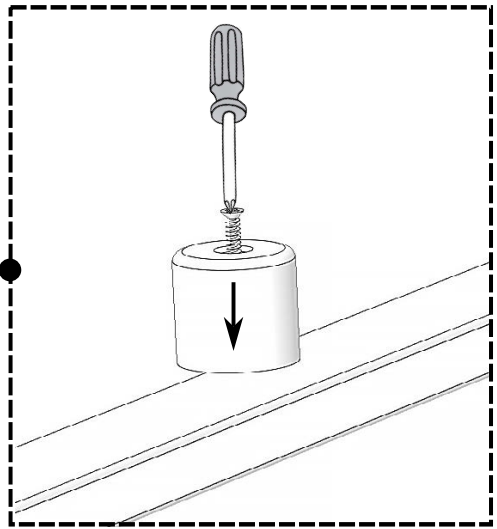
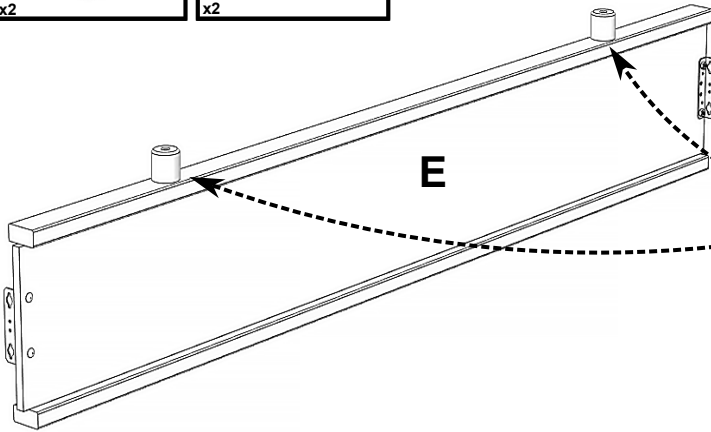
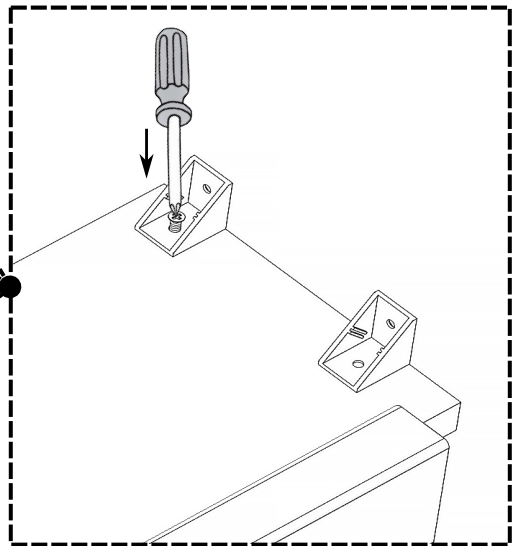
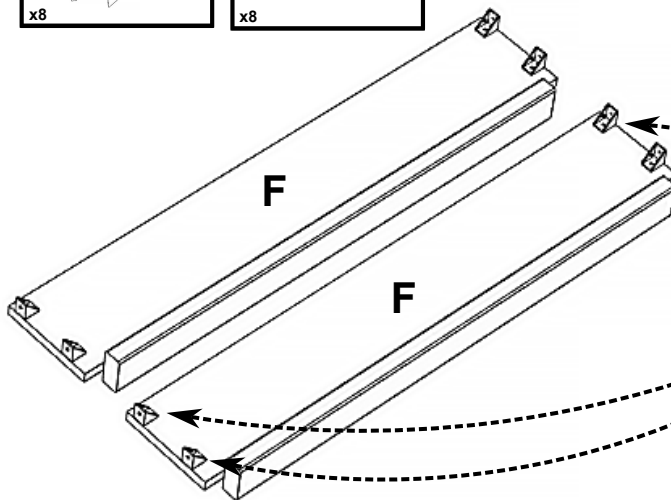
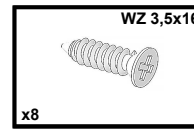
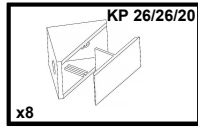
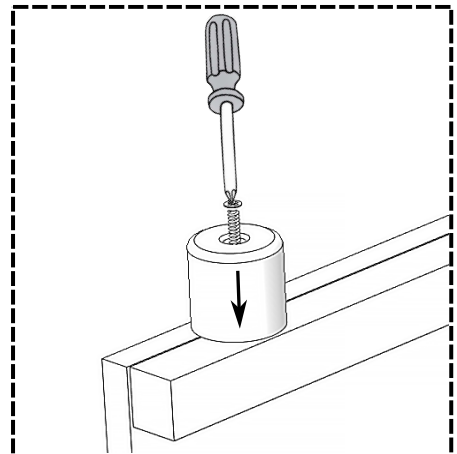
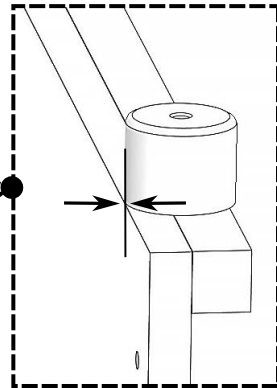
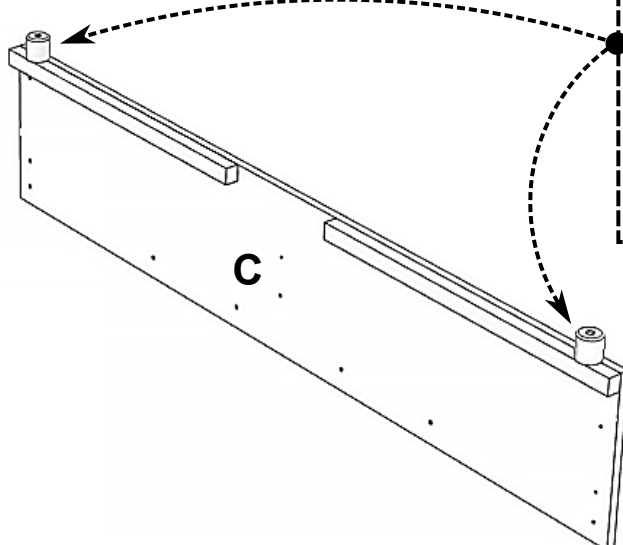
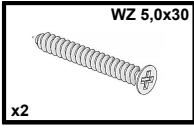
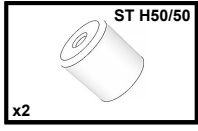
PACK 1	A, B, E
PACK 2	C, D, 2xF
PACK 3	4xG, I
PACK 4	H1, H2
PACK 5	ACCESSORIES

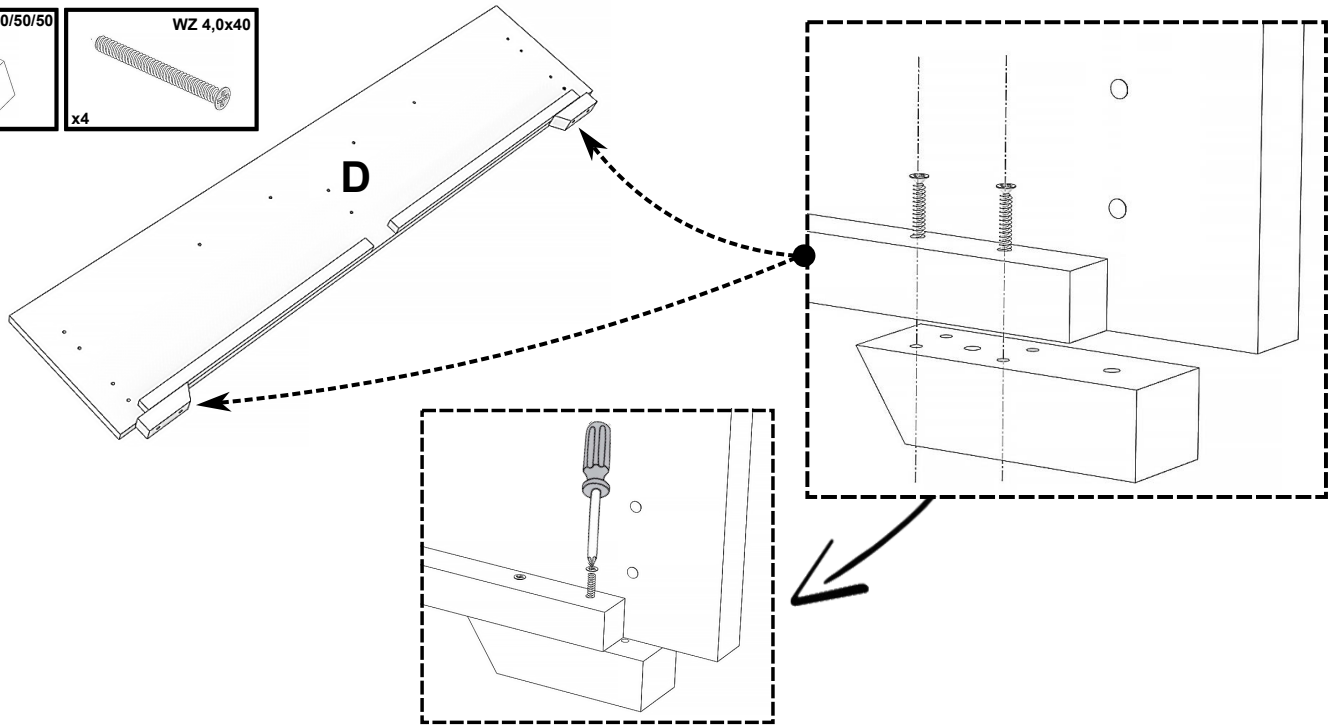
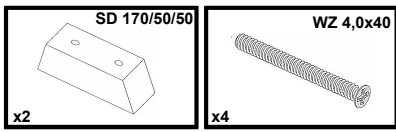
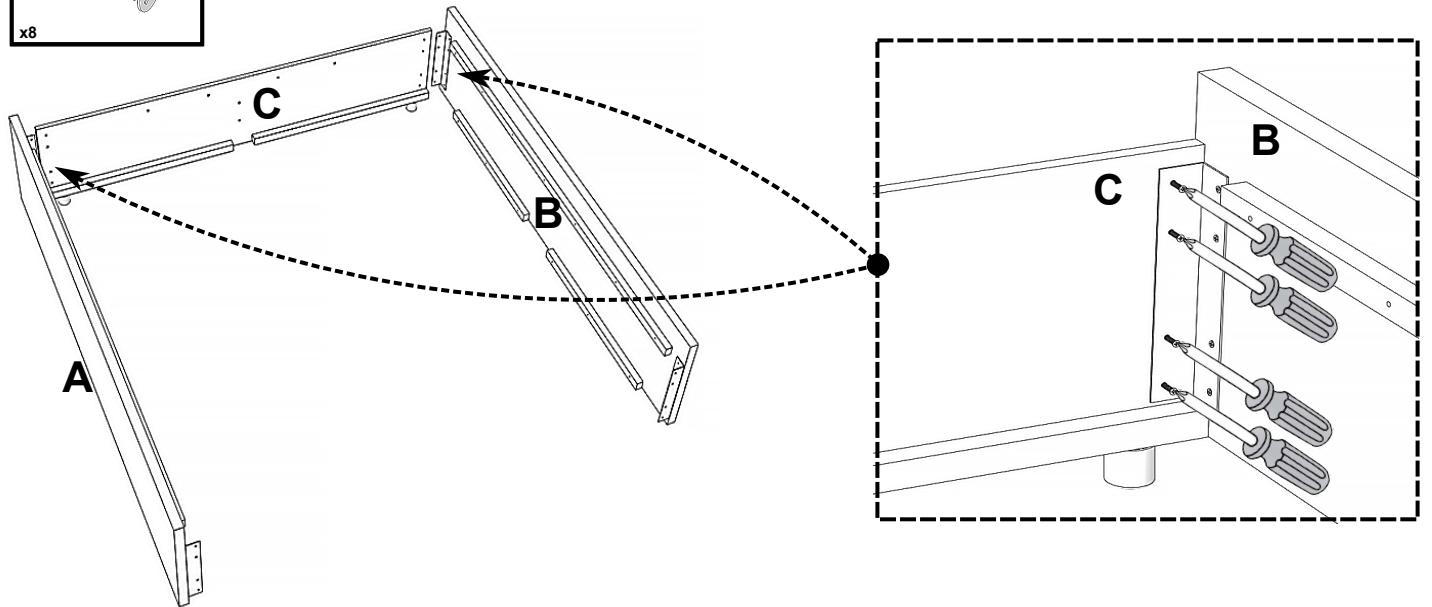
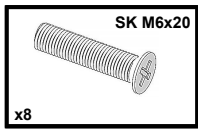
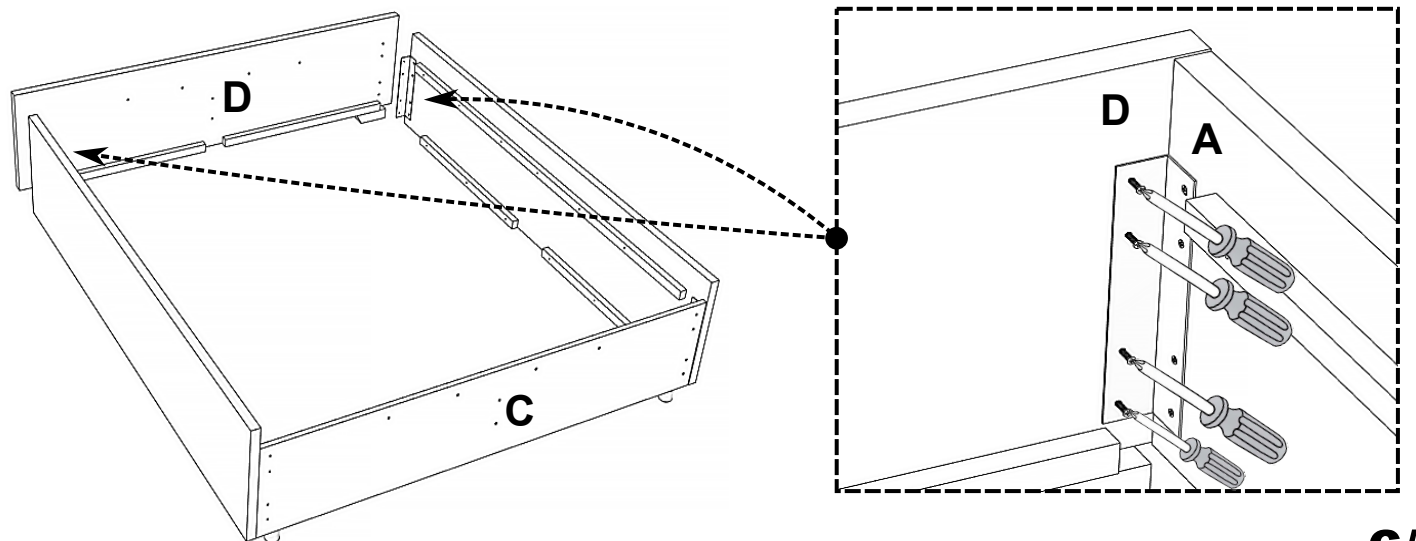
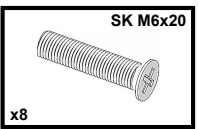
	ver. 160	ver. 180
A	2030x430x50	
B	2030x430x50	
C	1610x350x20	1810x350x20
D	1690x430x50	1890x430x50
E	2010x310x60	
F	800x130x60	900x130x60
G	990x793x3	990x893x3
H1	2000x800x190	2000x900x190
H2	2000x800x190	2000x900x190
I	1800x1200x80	2000x1200x80

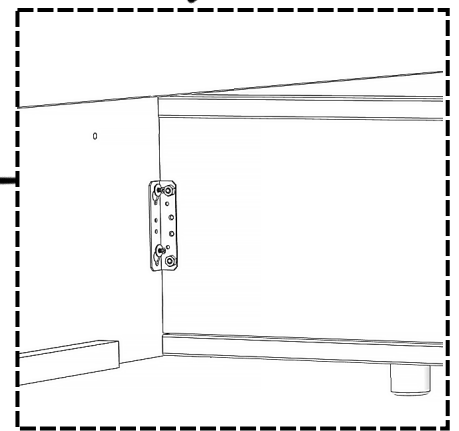
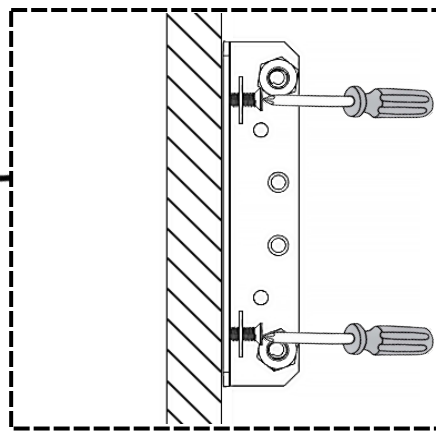
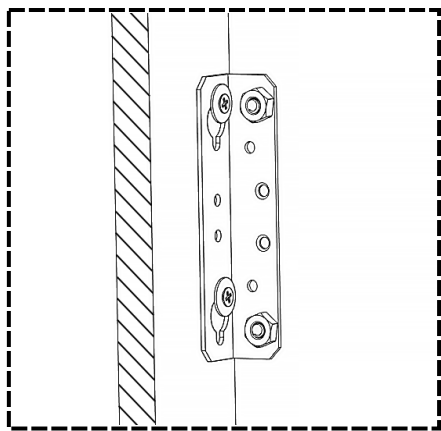
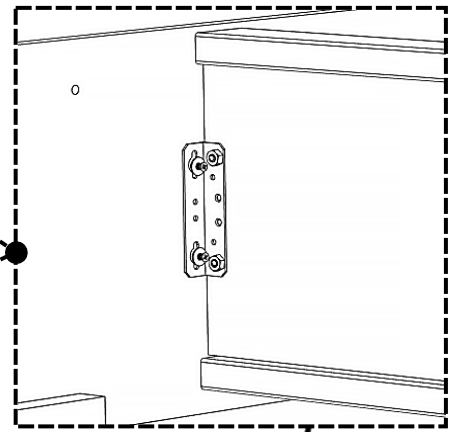
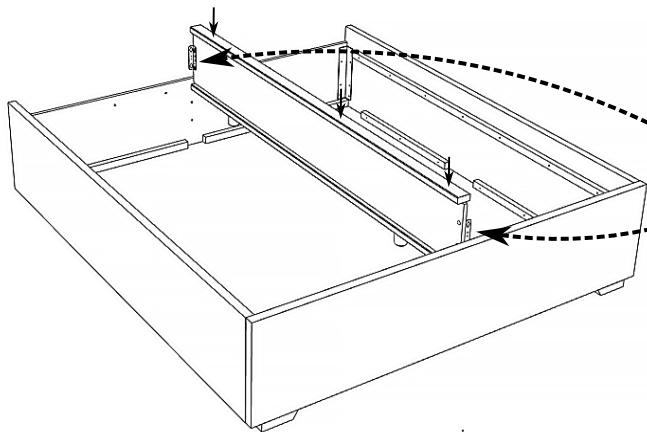
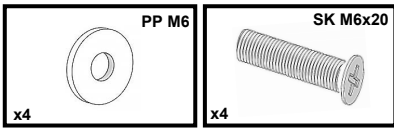
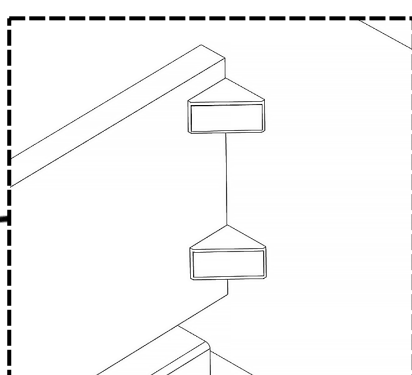
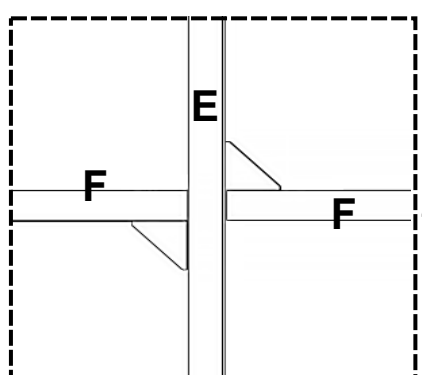
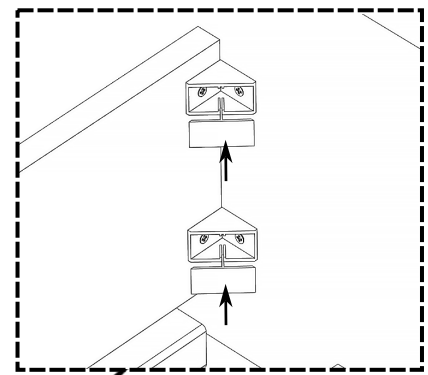
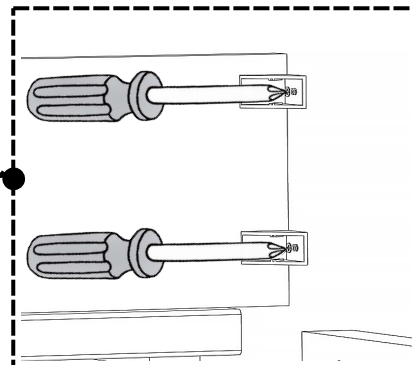
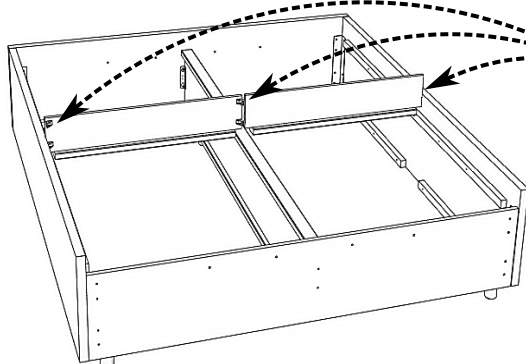




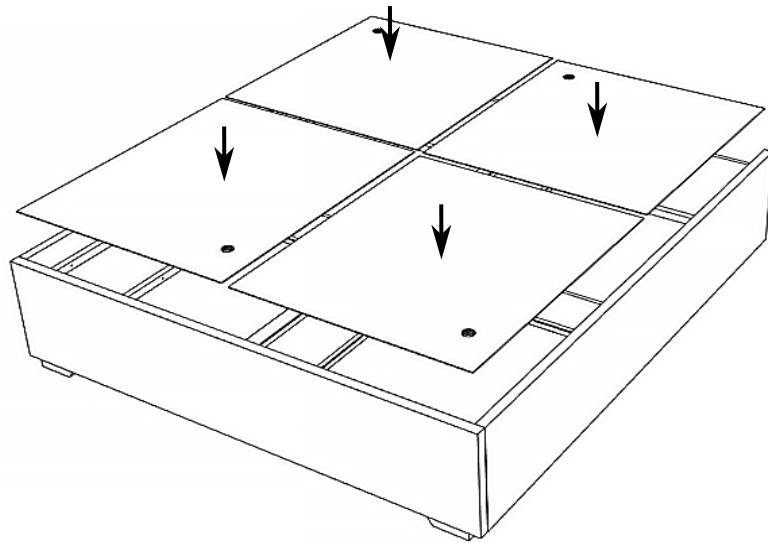
1**2**

3**4****5**

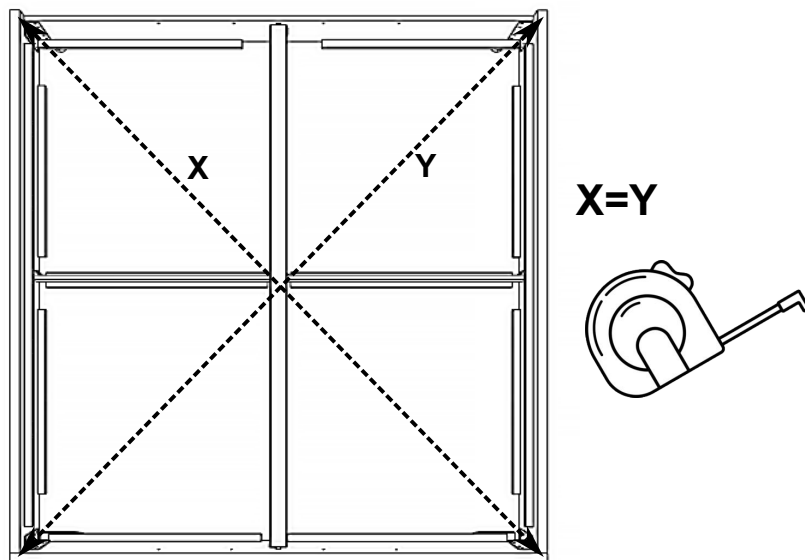
6**7****8**

9**10**

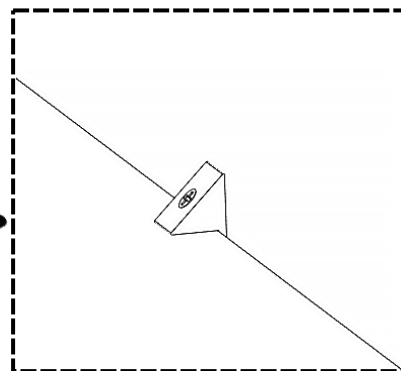
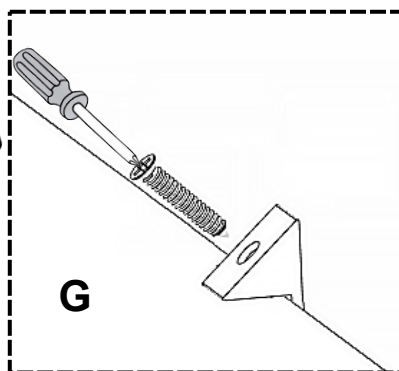
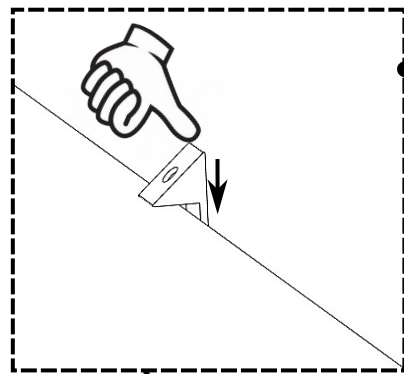
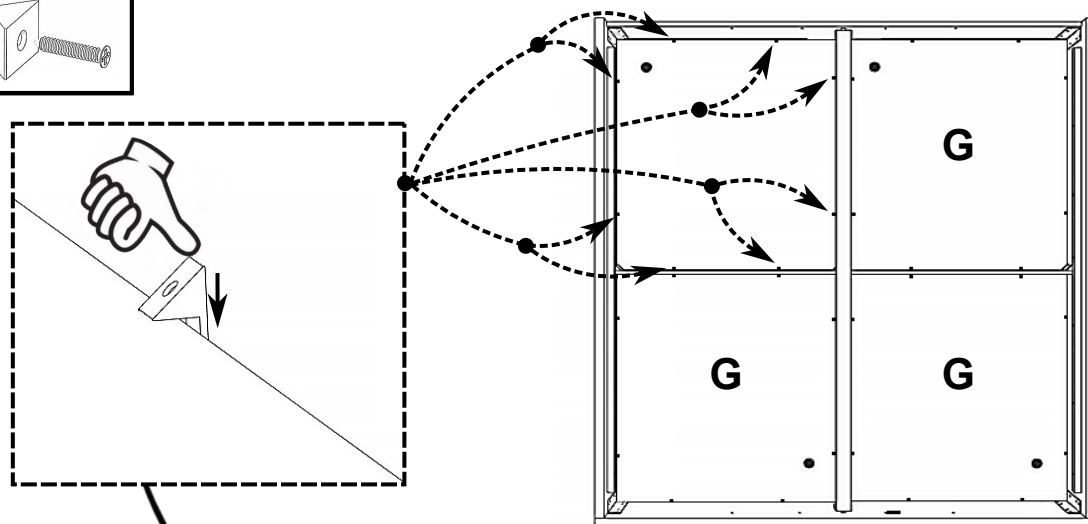
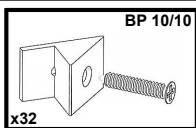
11



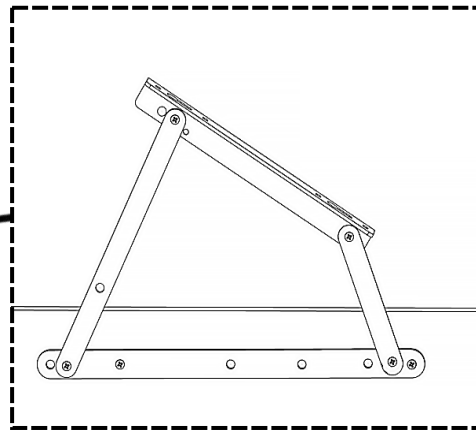
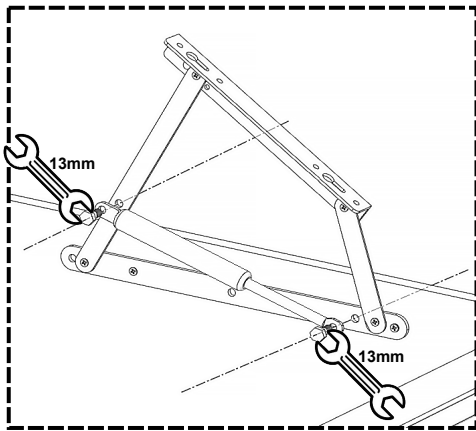
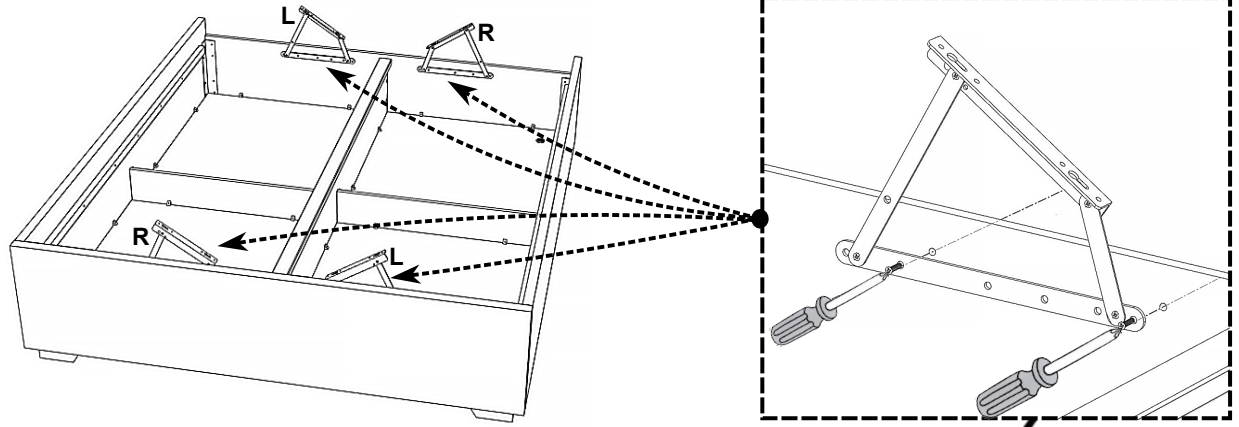
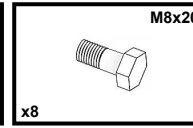
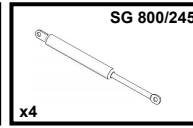
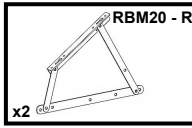
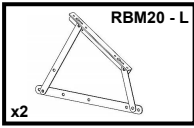
12



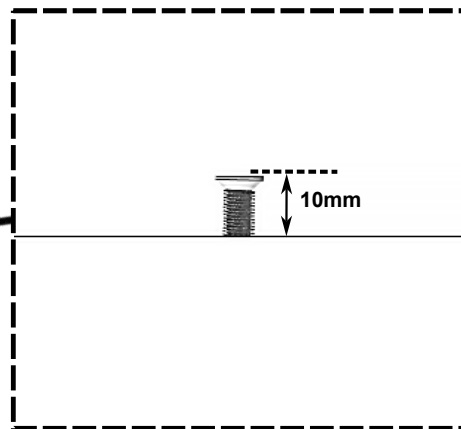
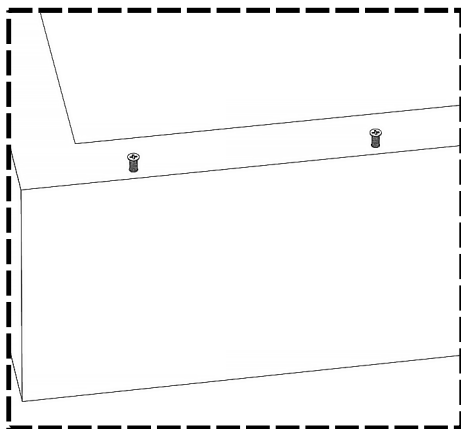
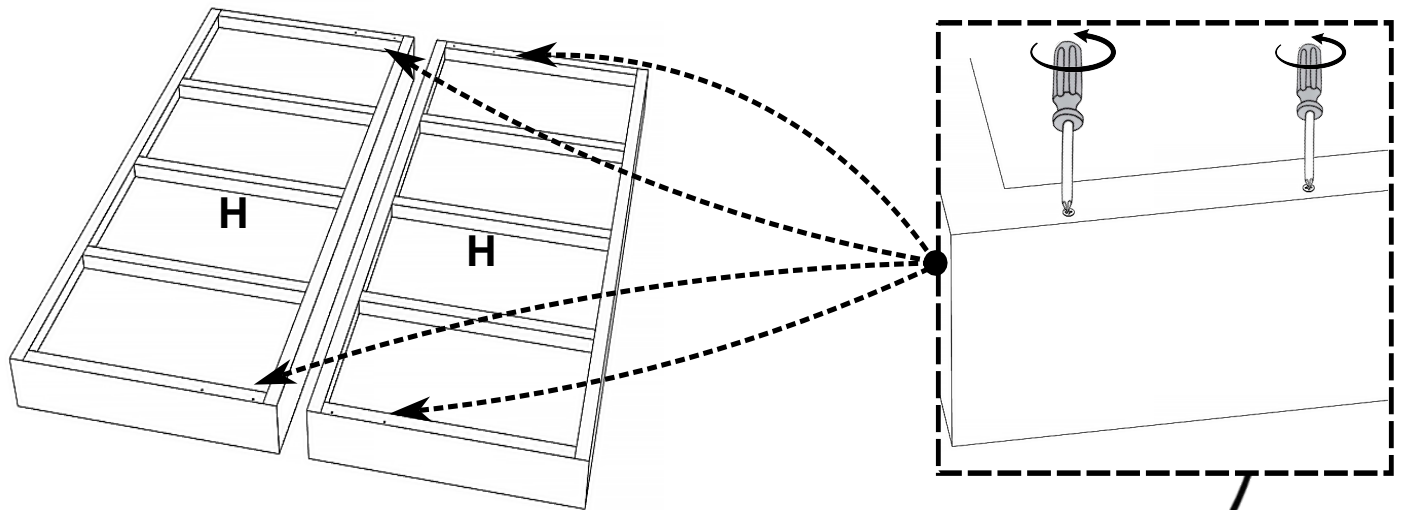
13



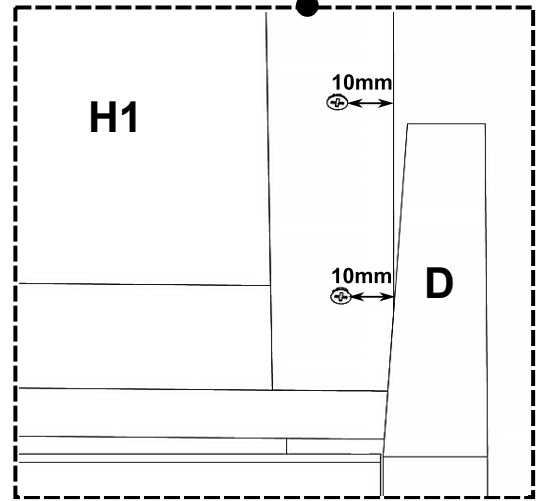
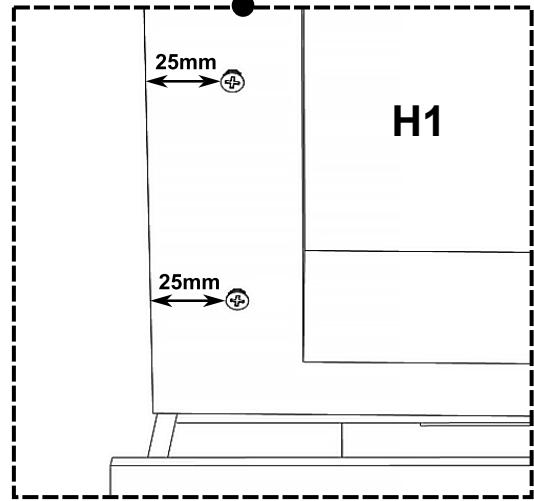
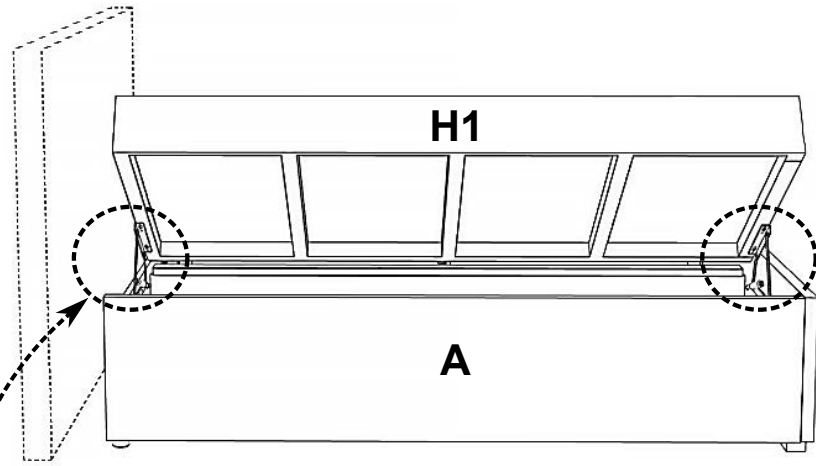
14



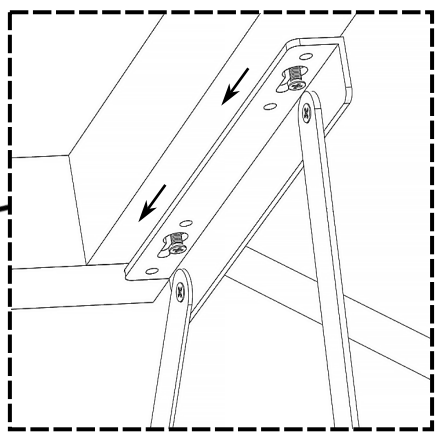
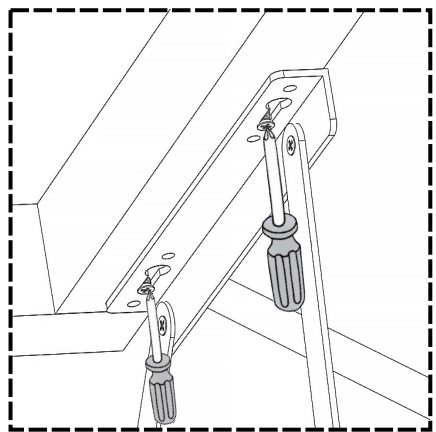
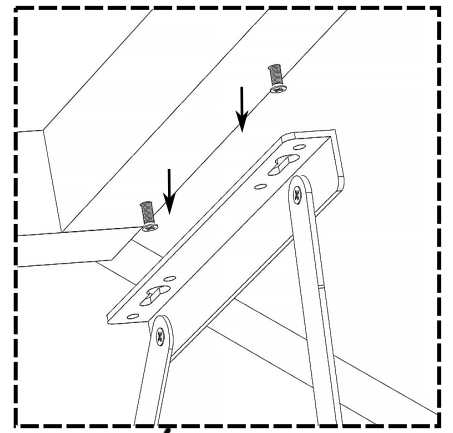
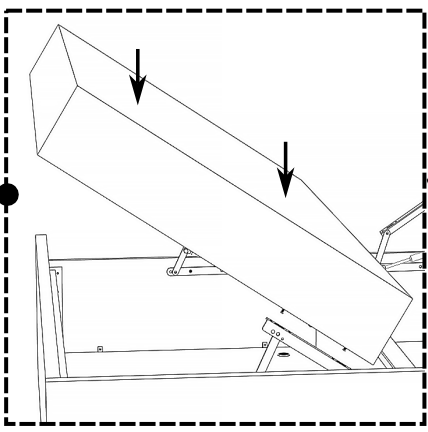
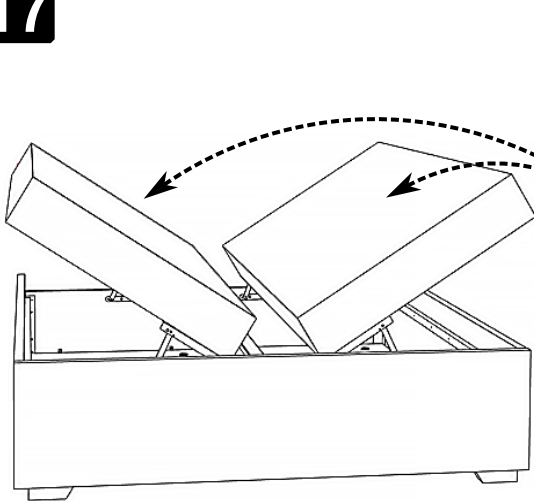
15



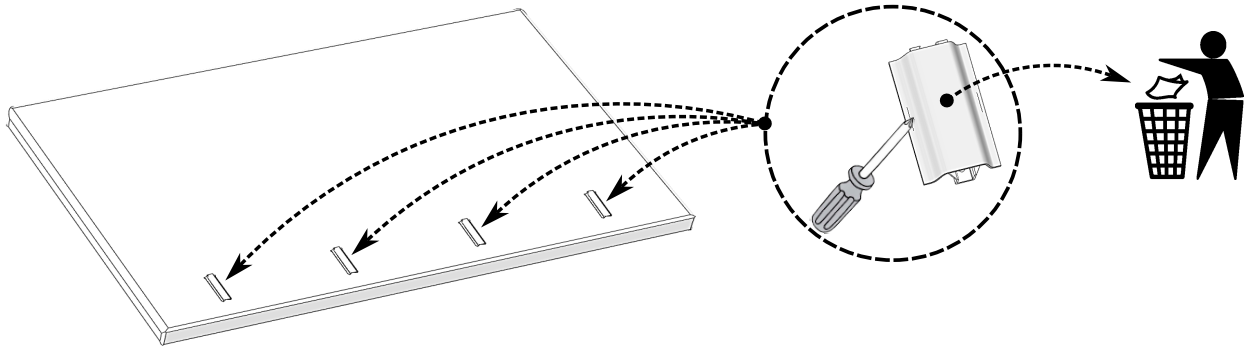
16



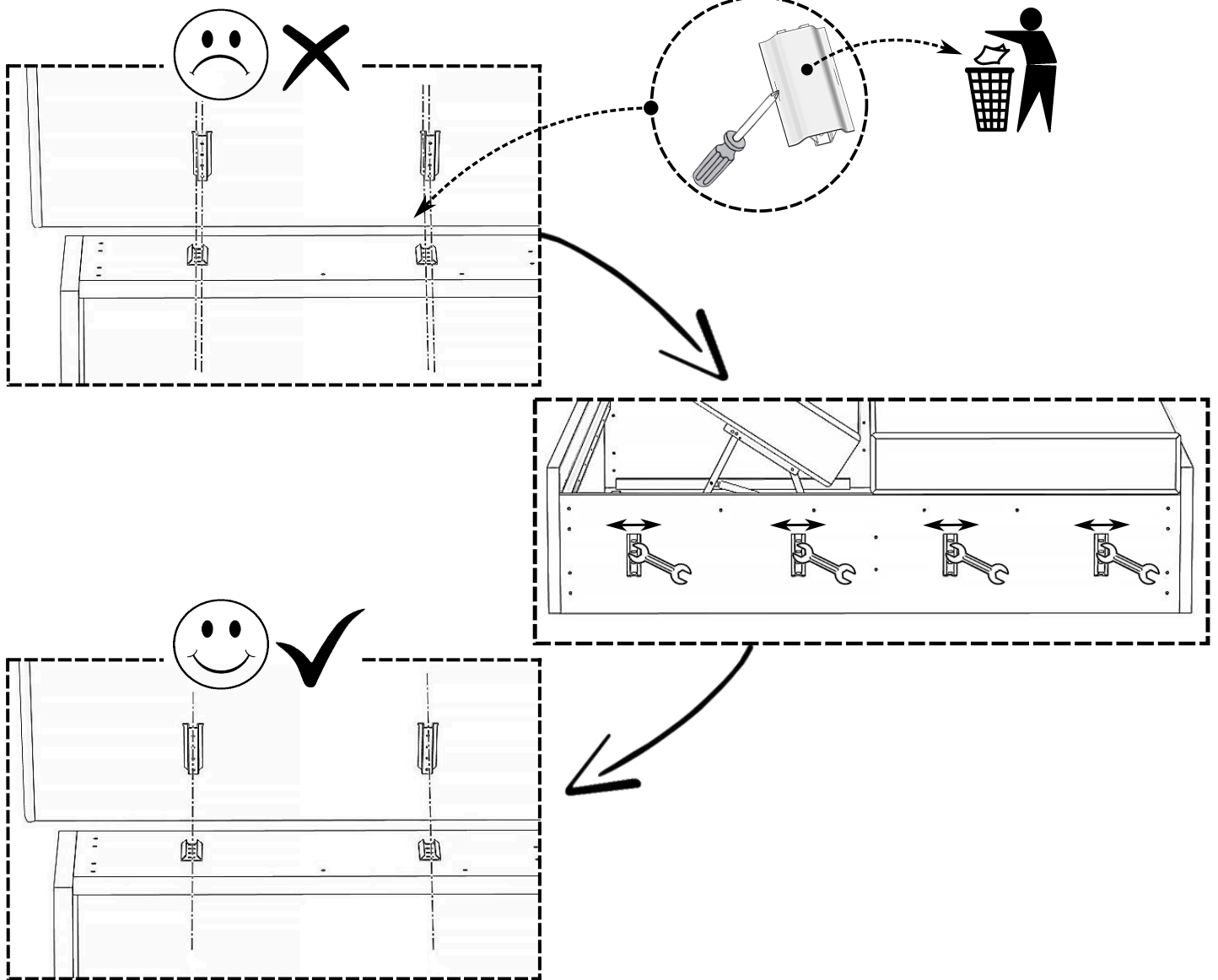
17



18



19



20

