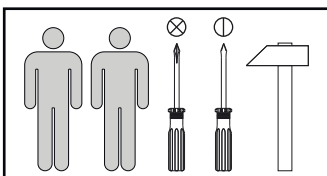
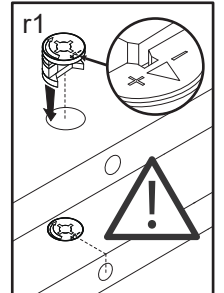
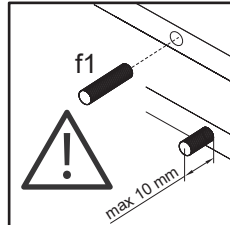
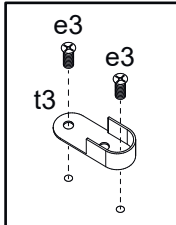
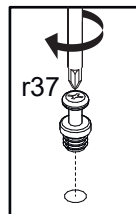
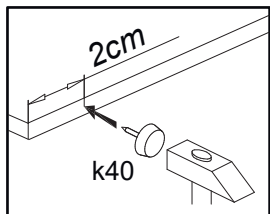
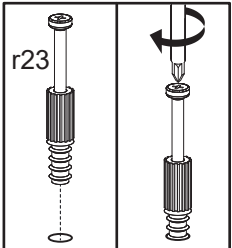
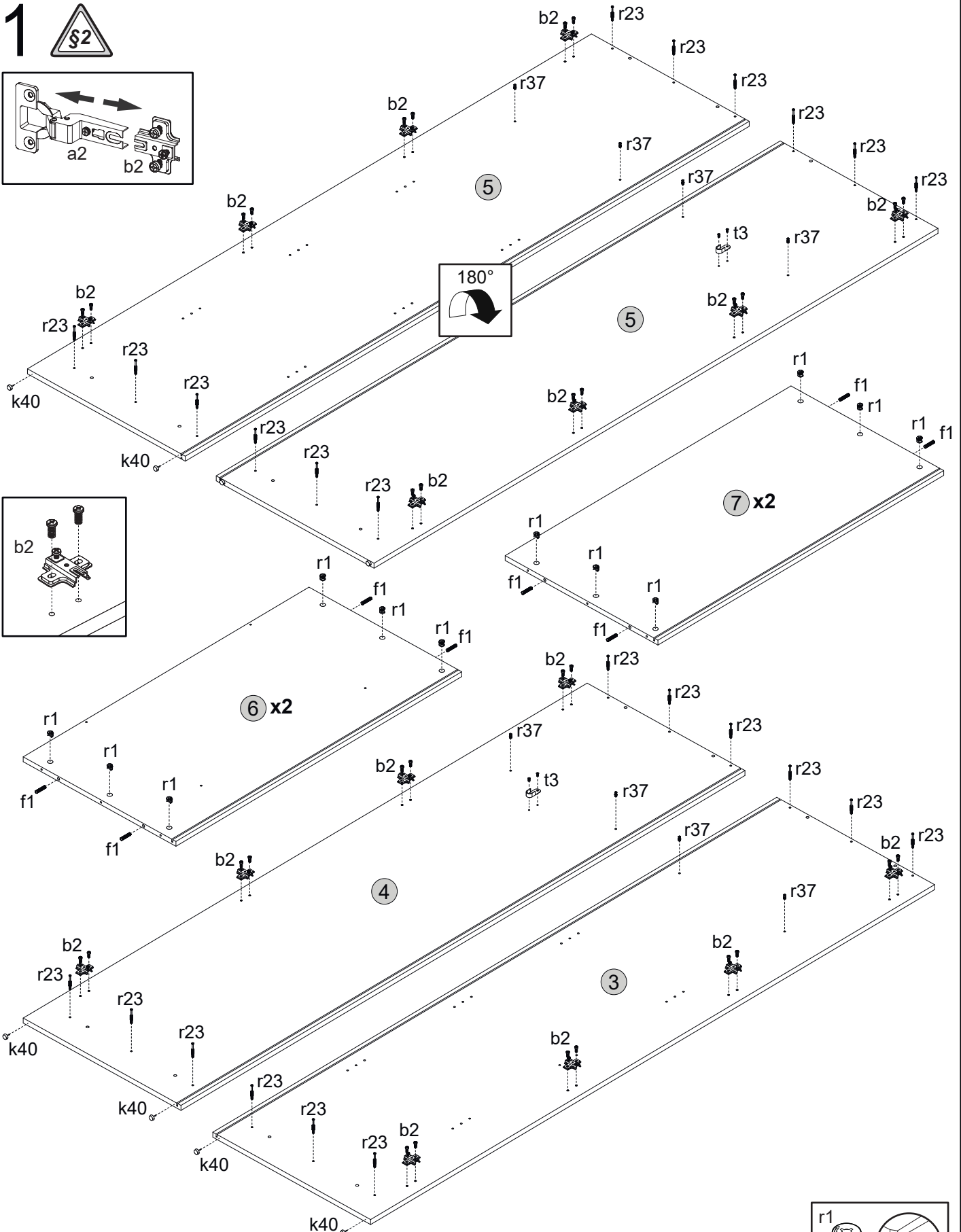
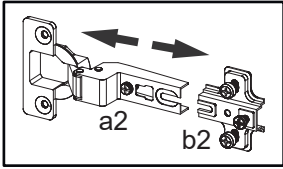


A	B (mm)	C	D
1	2050x642x16	x2	4/5
2	2050x482x19	x2	5/5
3	2132x576x16	x1	1/5
4	2132x576x16	x1	1/5
5	2132x576x16	x1	1/5
6	1114x575x16	x2	2/5
7	1114x575x16	x2	2/5
8	1114x500x16	x2	3/5
9	1114x500x16	x3	3/5
10	1114x80x16	x4	3/5
11	2033x562x2.5	x4	1/5

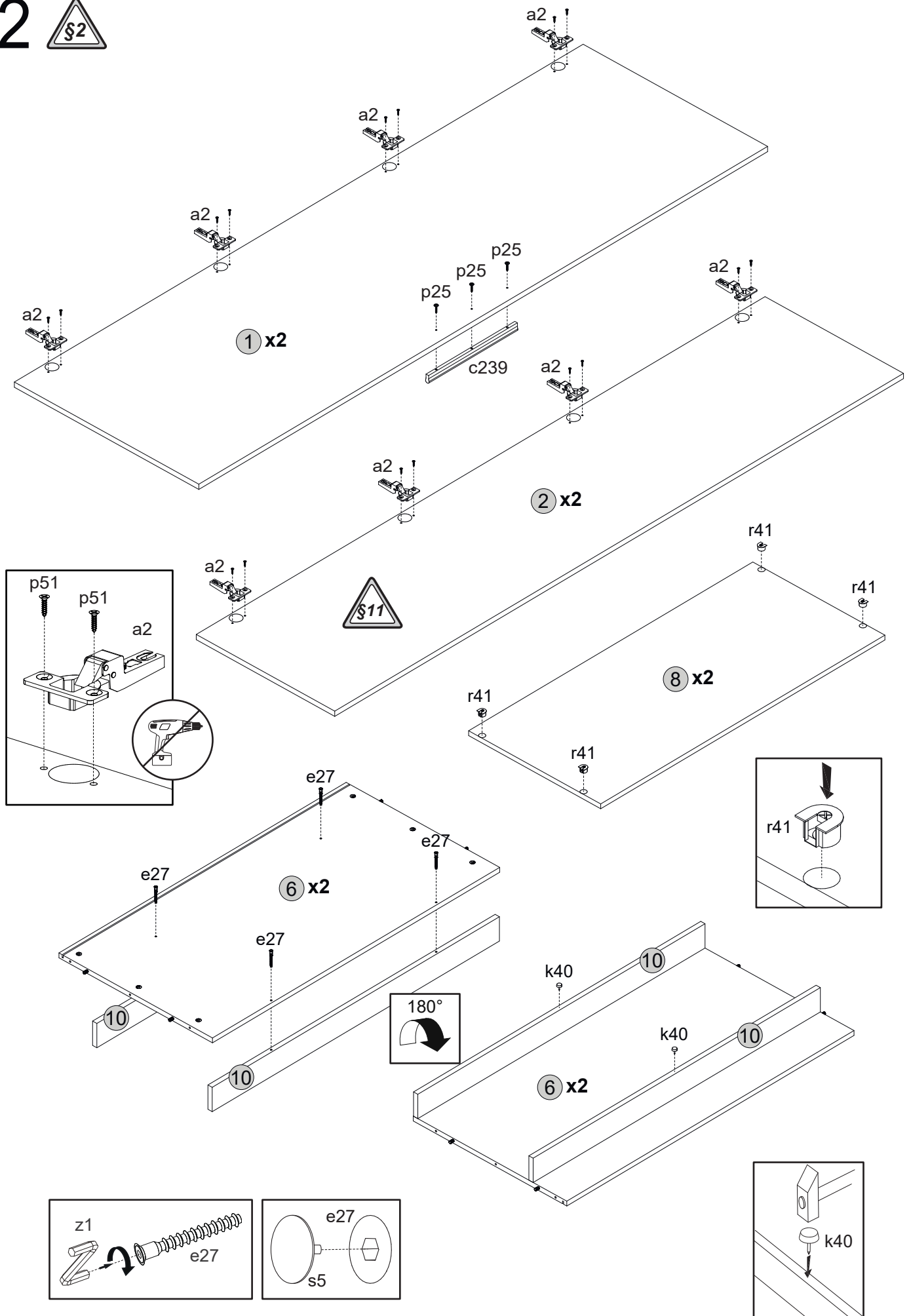


16x Ø 35mm ab2	2x m5	2x L=320mm c239	12x Ø 5mm d1	8x Ø 7x50mm e27	16x Ø 8x30mm f1	32x 10x10x15mm i2	10x Ø 15mm k40	2x 30x15mm t3
32x Ø 3,5x16mm p51	4x Ø 5x13 mm e3	6x Ø 4x25mm p25	24x Ø 15x12mm r1	24x 45mm r23	8x r41	8x r37	8x Ø 12mm s5	24x Ø 20mm s2
							1x L=1108x30x15mm t1	1x 4mm z1

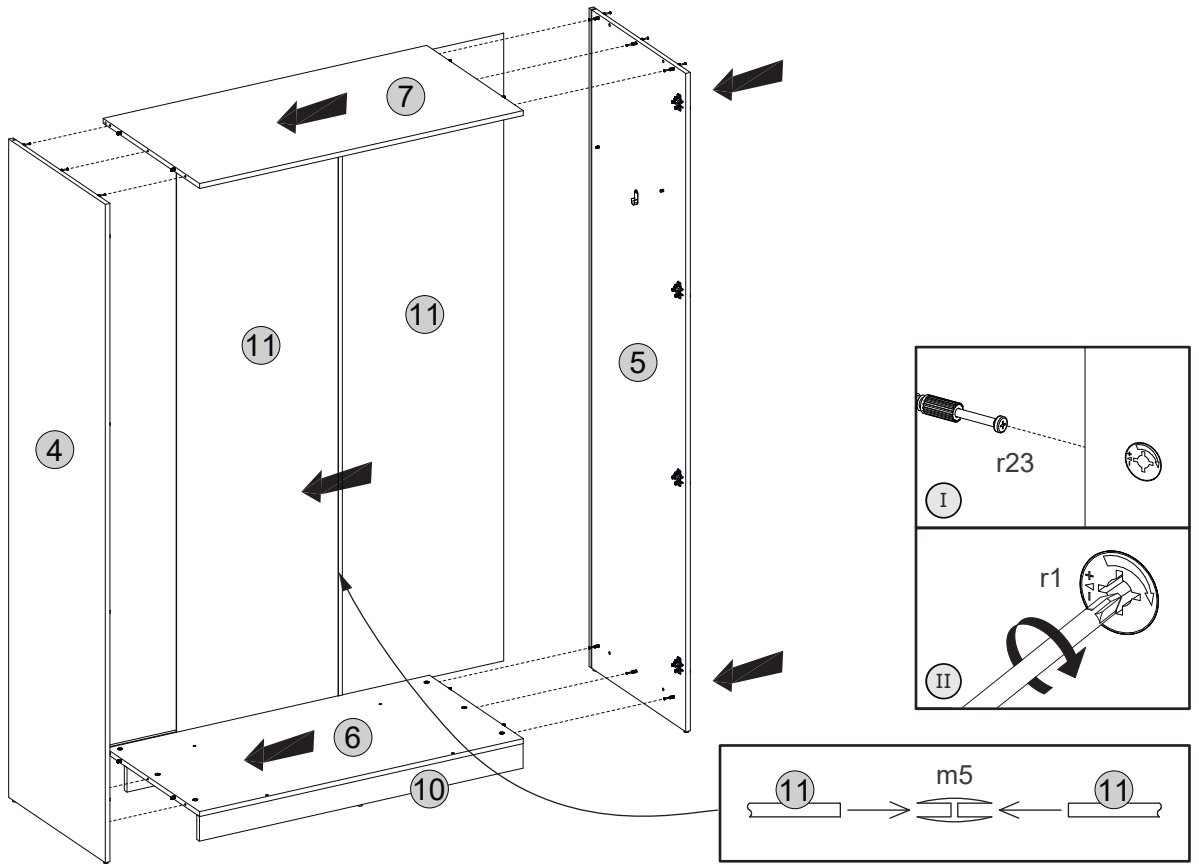
1 



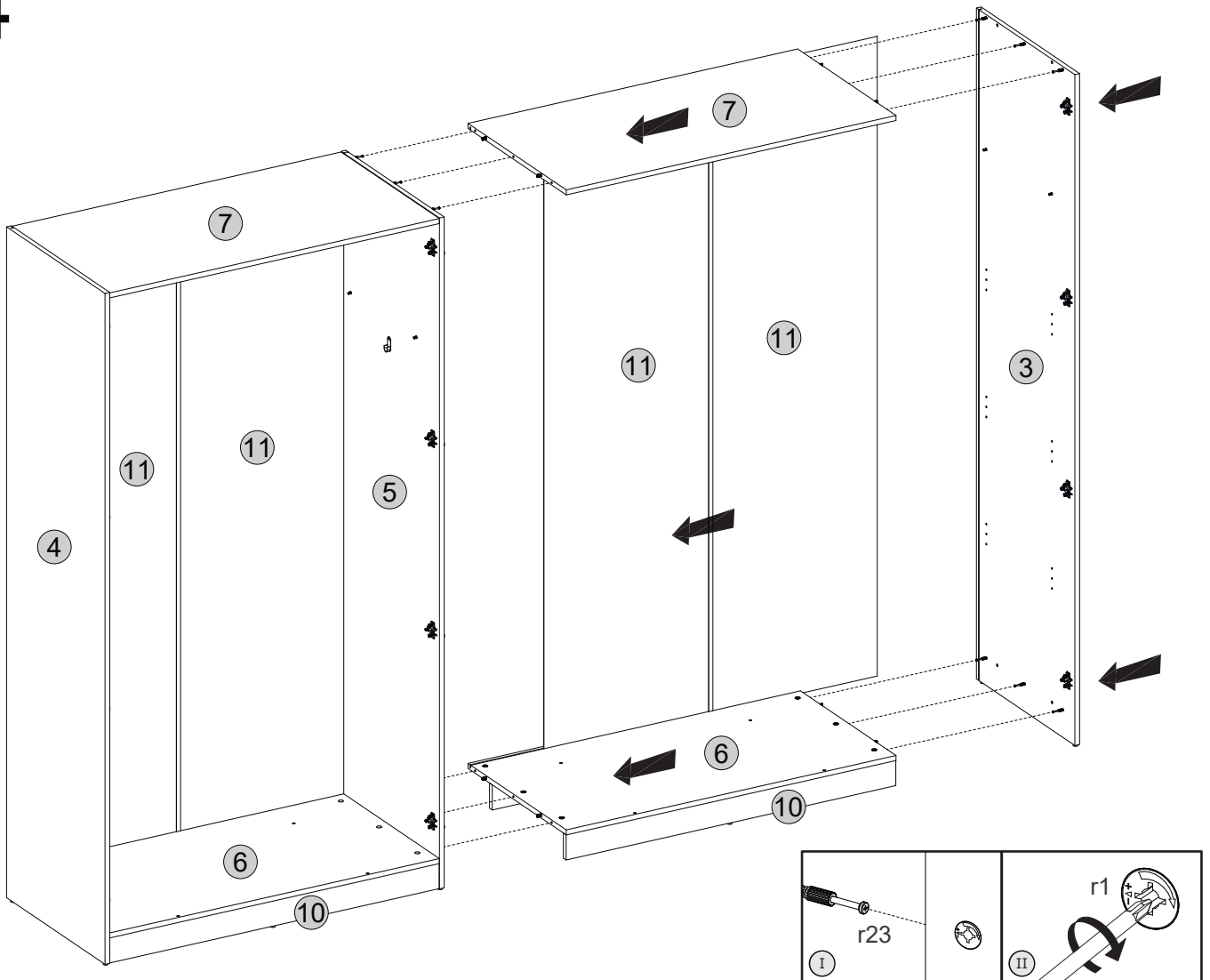
2



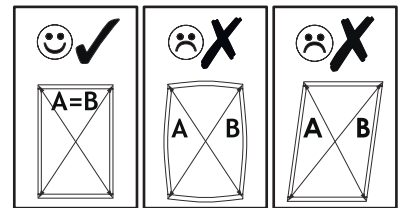
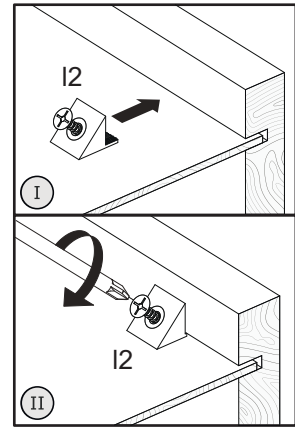
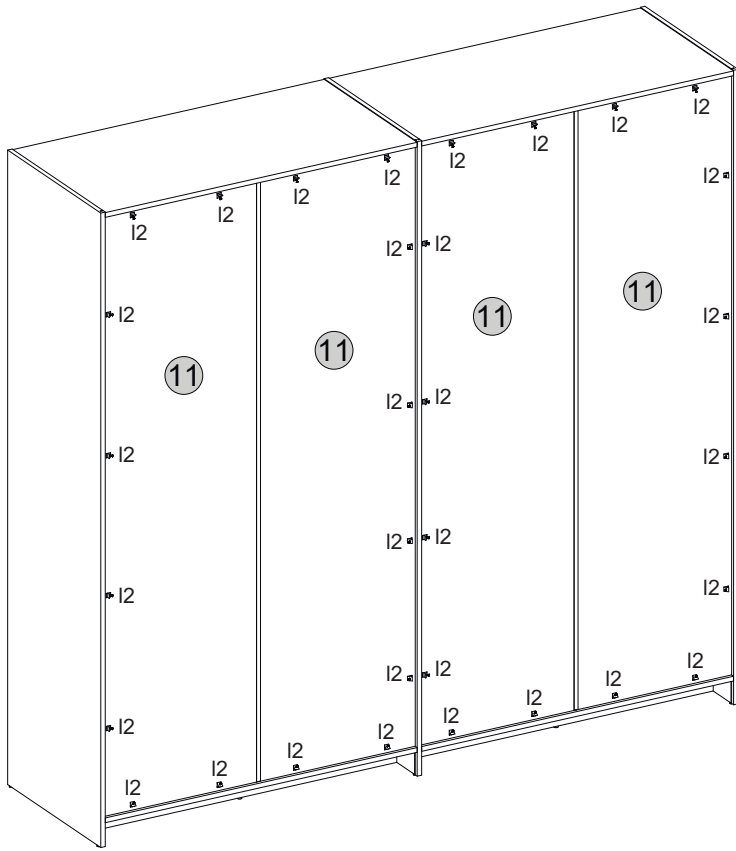
3



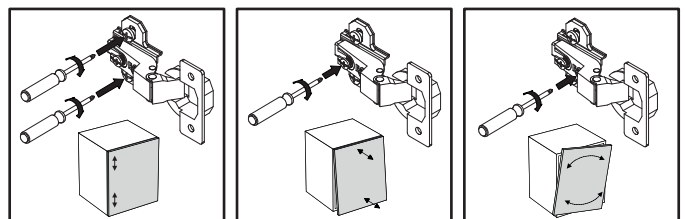
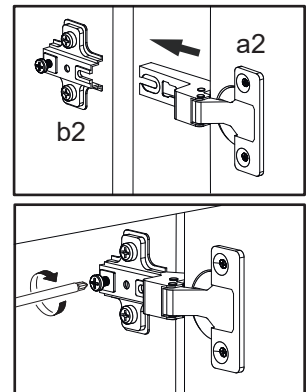
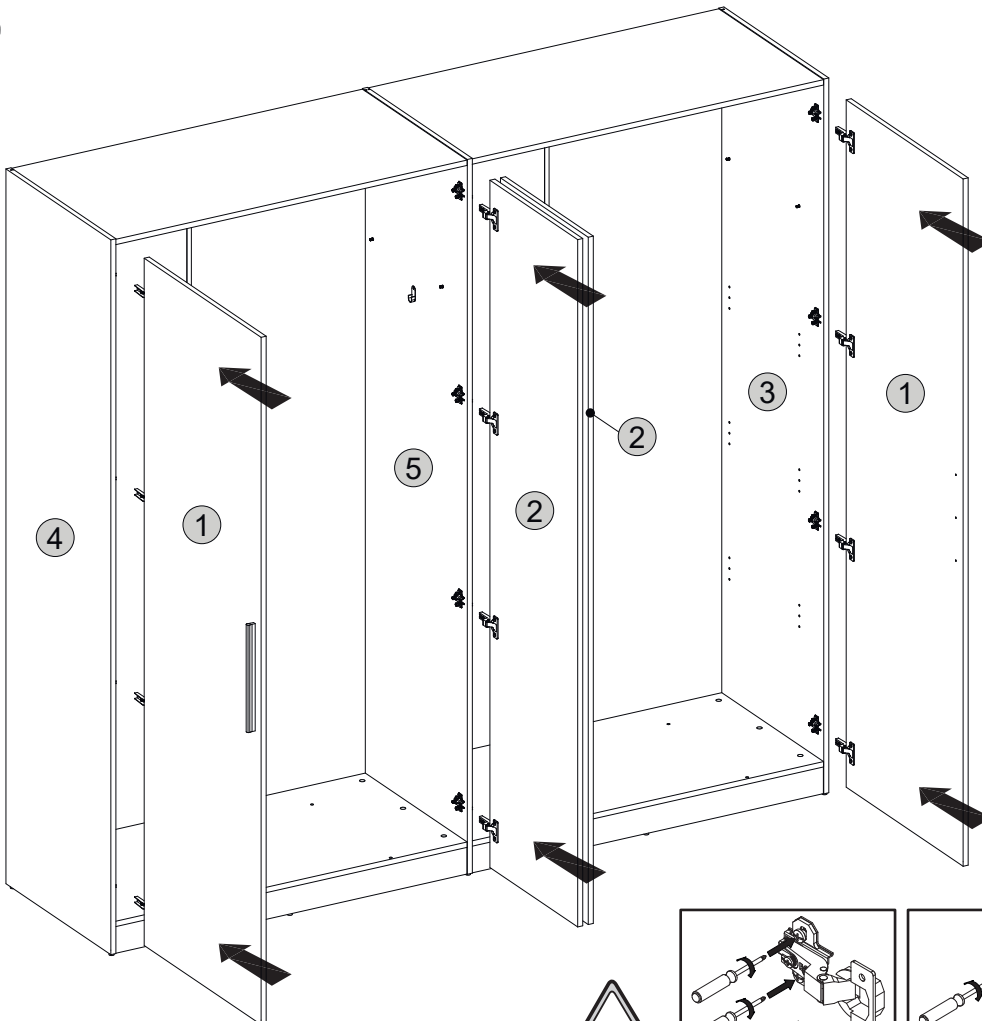
4



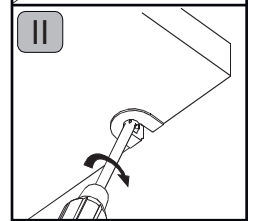
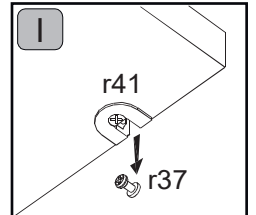
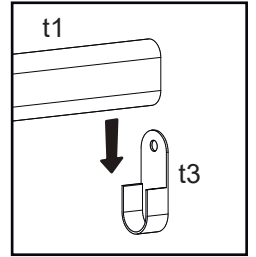
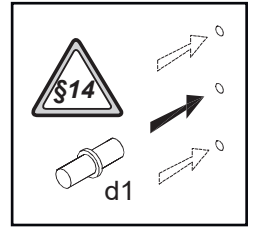
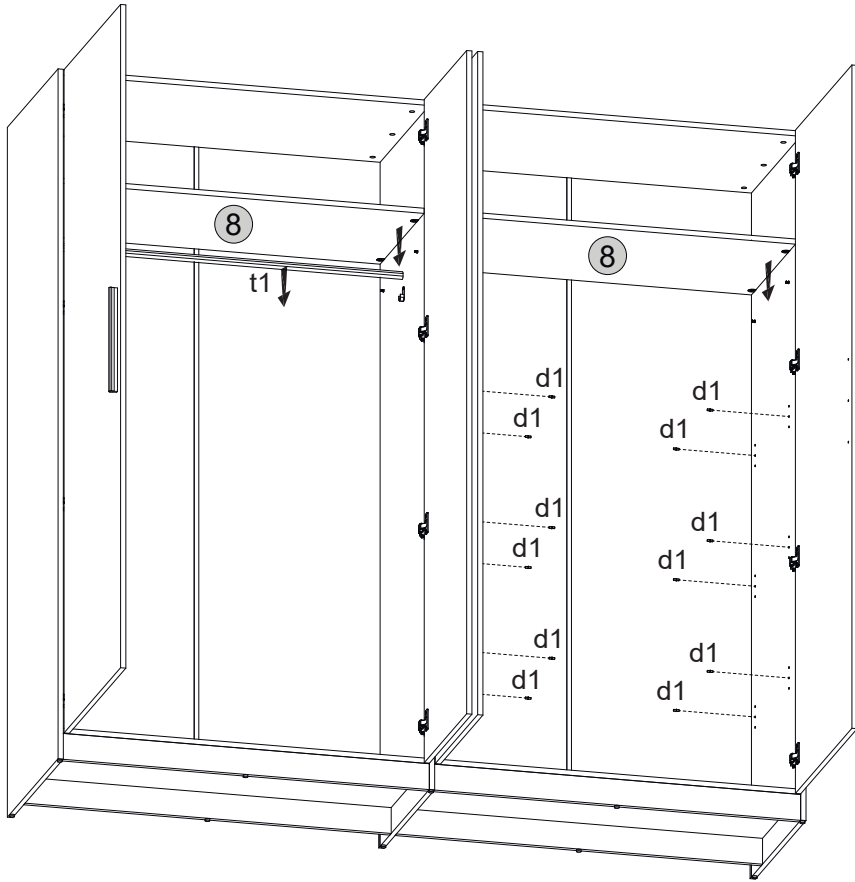
5



6



7



8

