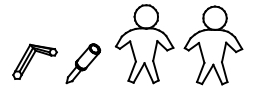


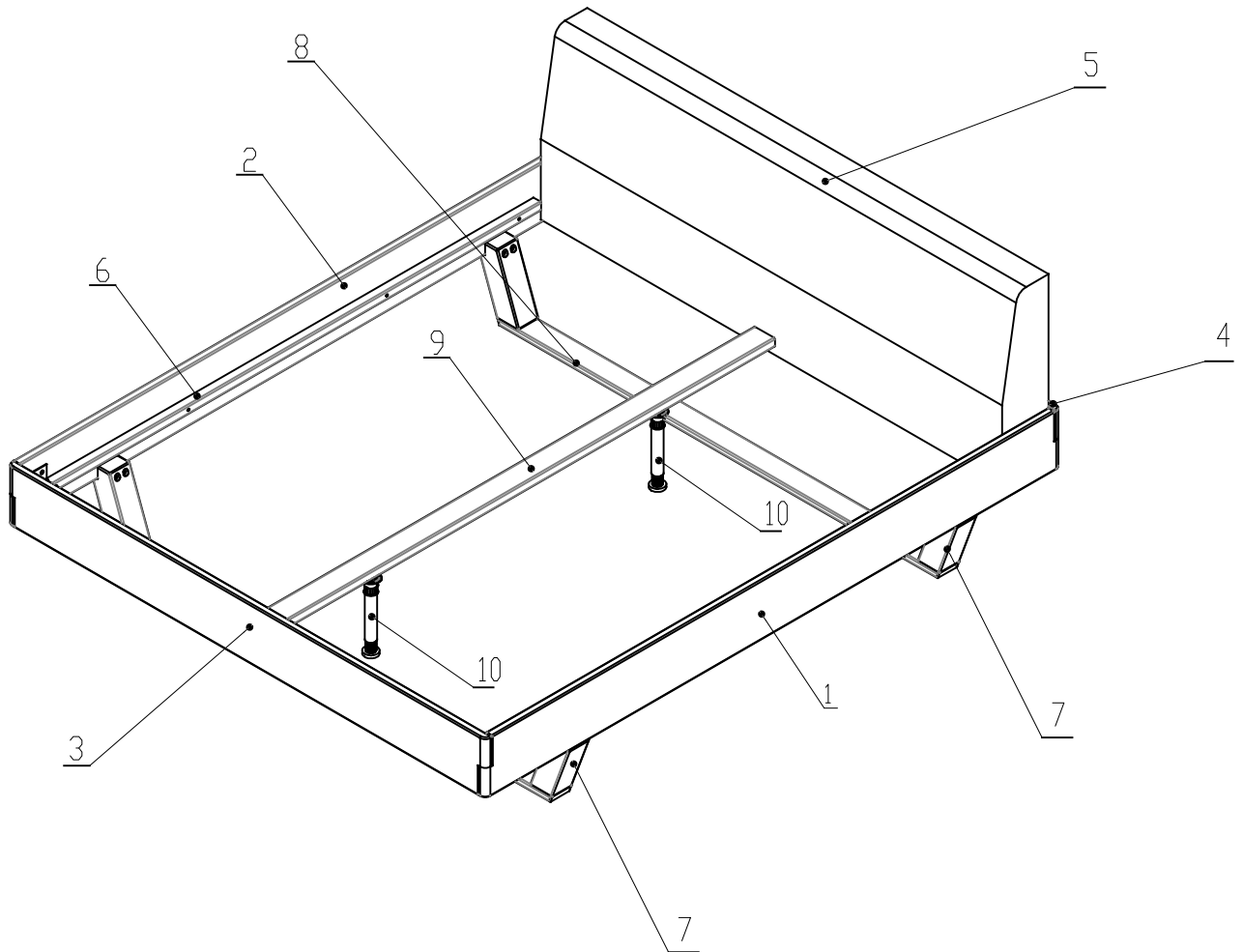
BED TISA


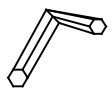


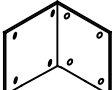



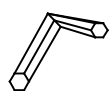
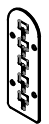

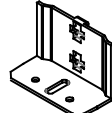

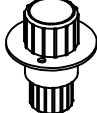
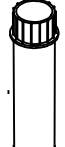

22-594-19

22-595-19

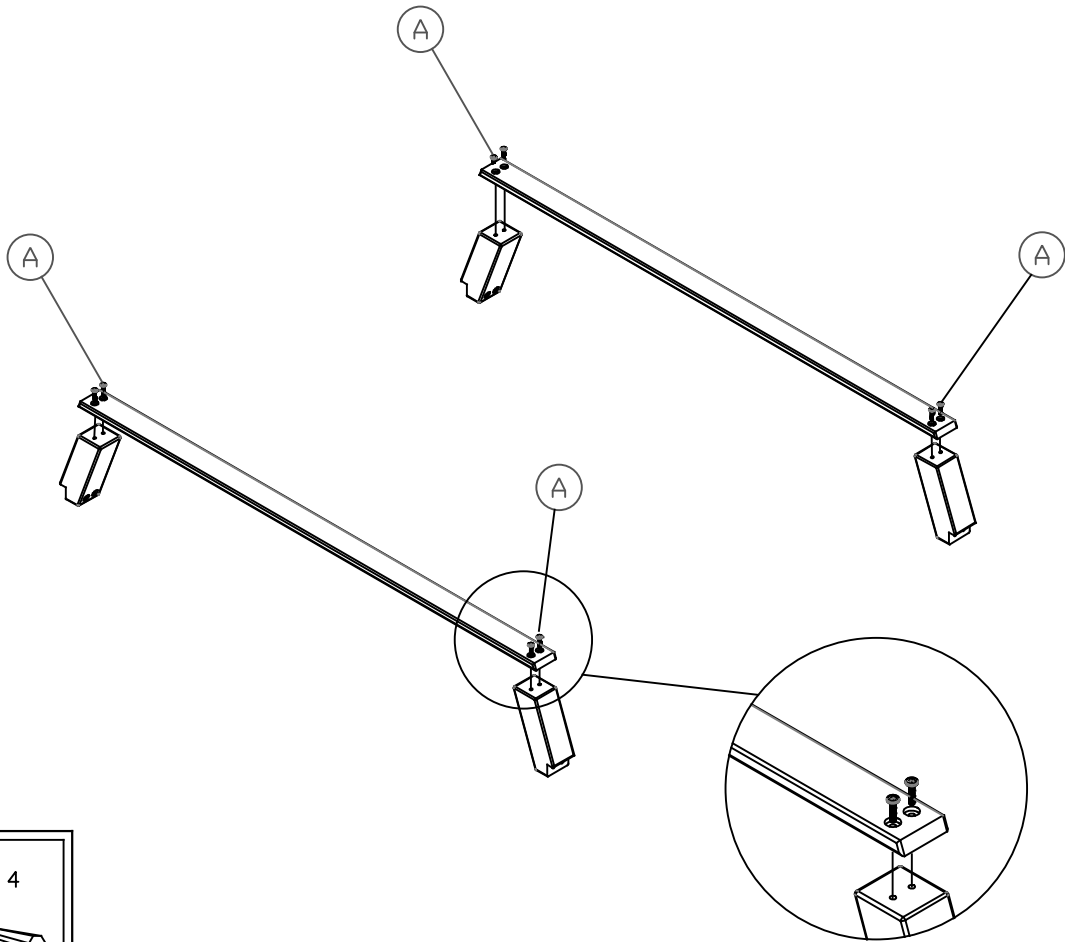


40 Minutes



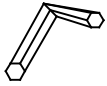
<p>M6x40</p>  <p>Ax8</p>	<p>SW 4</p> 	<p>M6x60</p>  <p>Bx8</p>	<p>M6x15</p>  <p>Cx32</p>	<p>100x100x100</p>  <p>Dx4</p>	<p>M6x50</p>  <p>Ex4</p>	<p>7x50</p>  <p>Fx8</p>	<p>8x32</p>  <p>Gx4</p>	<p>SW 5</p> 	 <p>Hx1</p>
<p>3,5x16</p>  <p>Ix16</p>	 <p>Jx2</p>	 <p>Kx2</p>	 <p>Lx2</p>	 <p>Mx2</p>	 <p>Nx2</p>				

1.



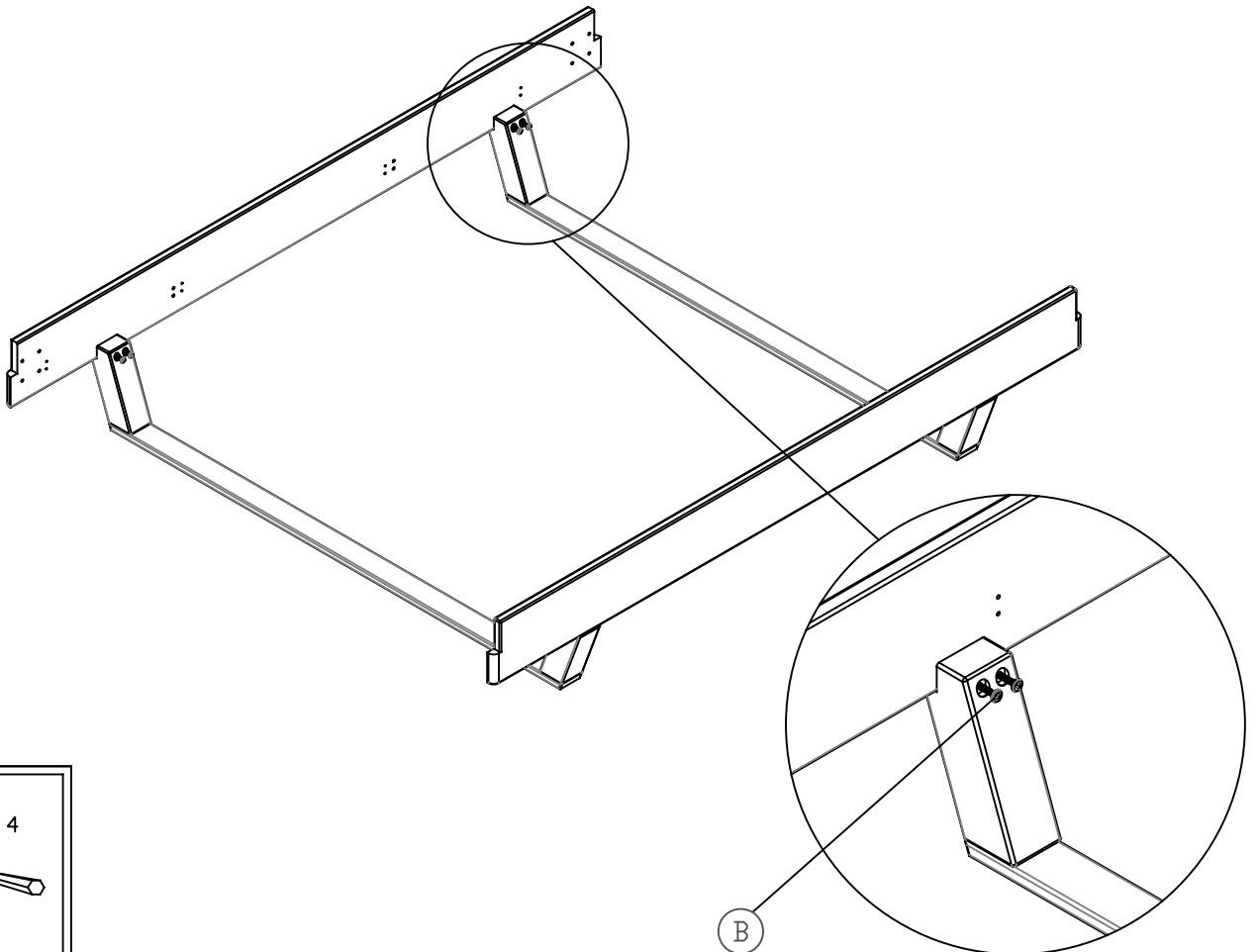
M6x40

SW 4



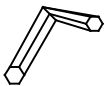
Ax8

2.



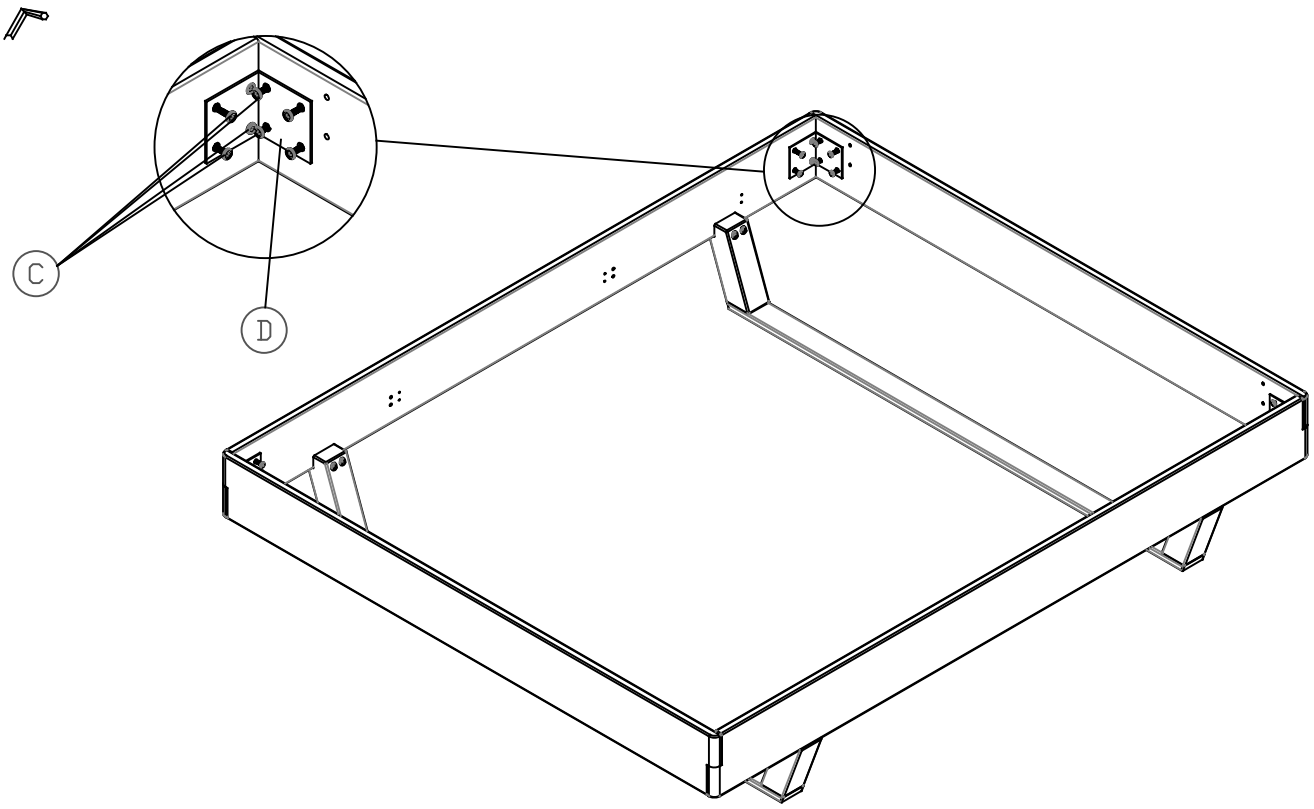
M6x60



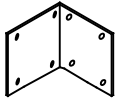
SW 4



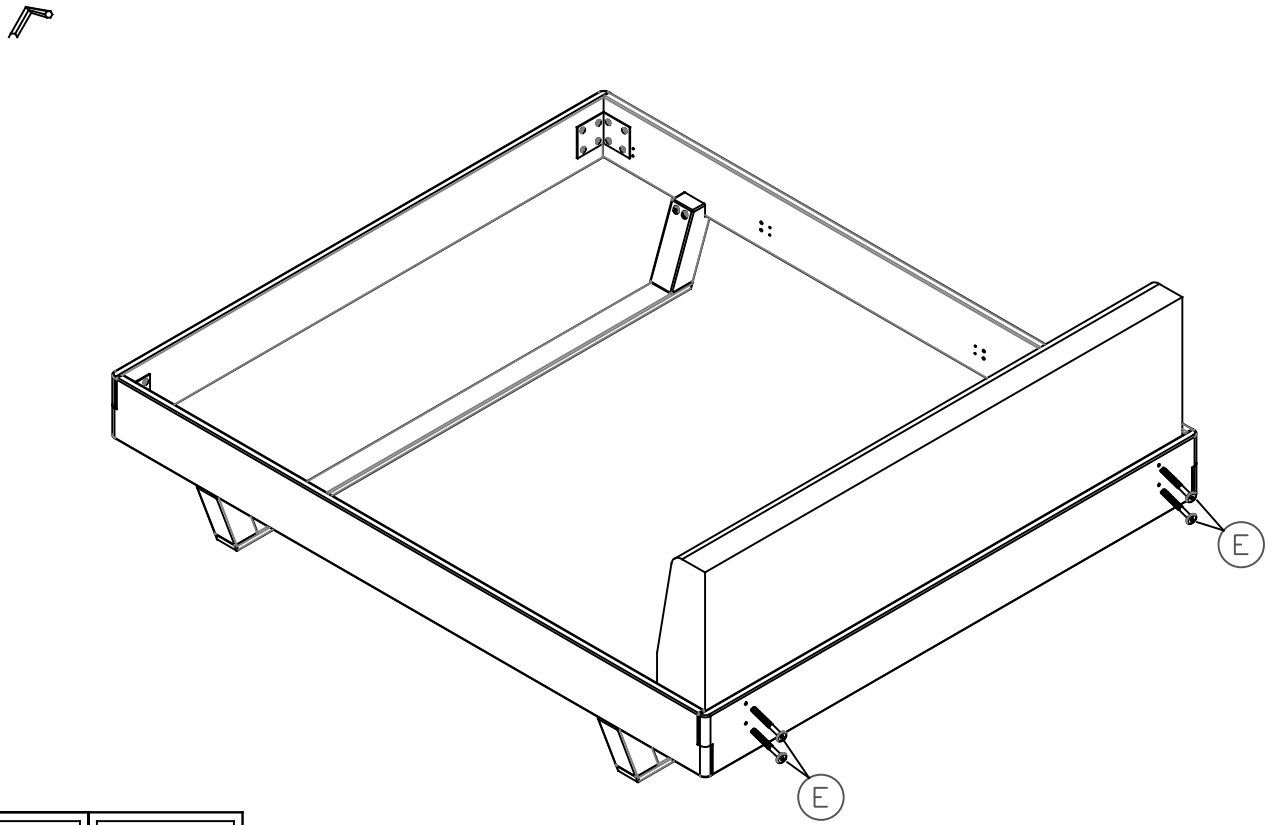
Bx8



3.



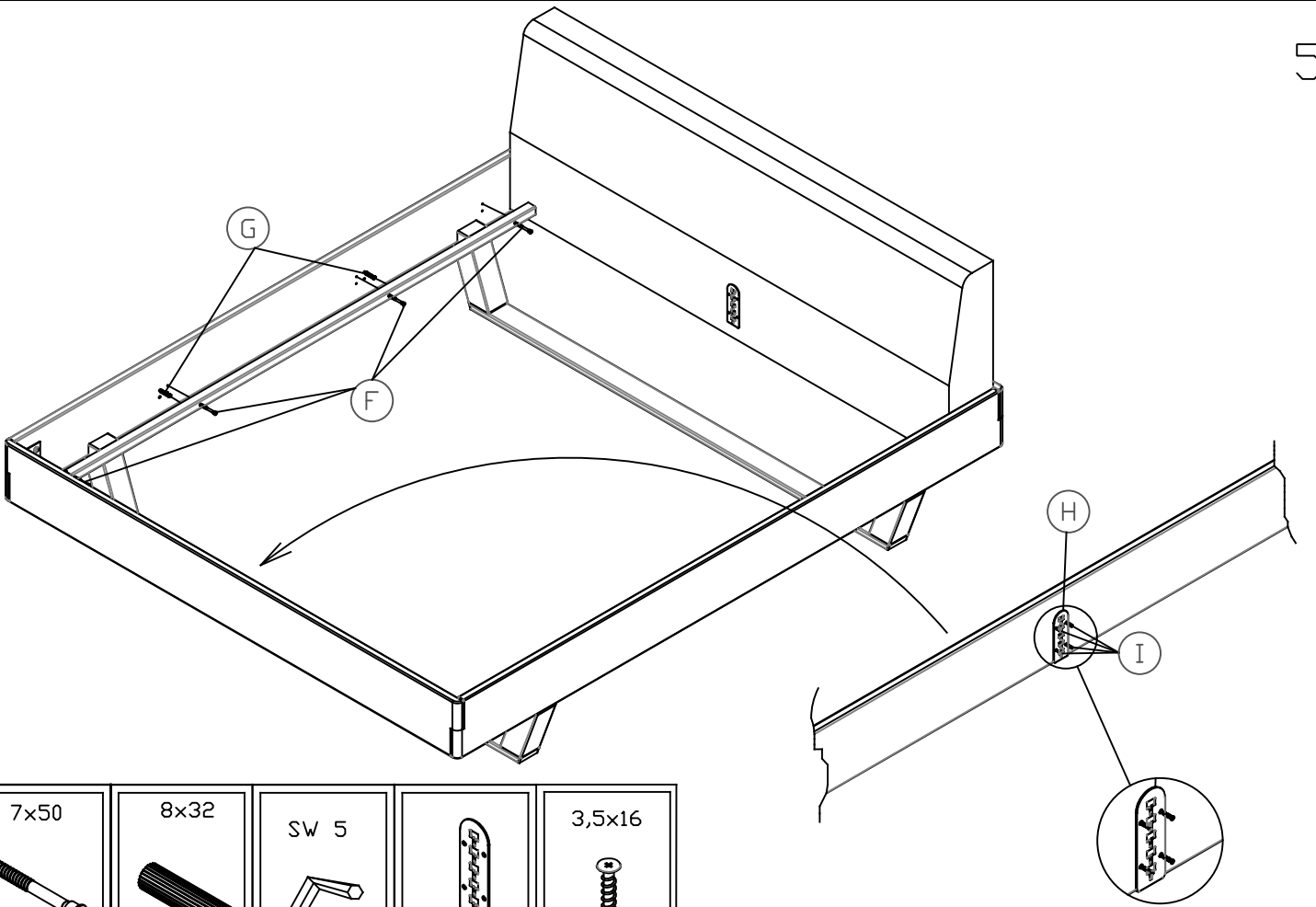
M6x15  Cx32	SW 4 	100x100x100  Dx4
--	--	--


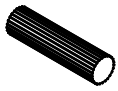
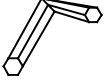
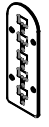

4.



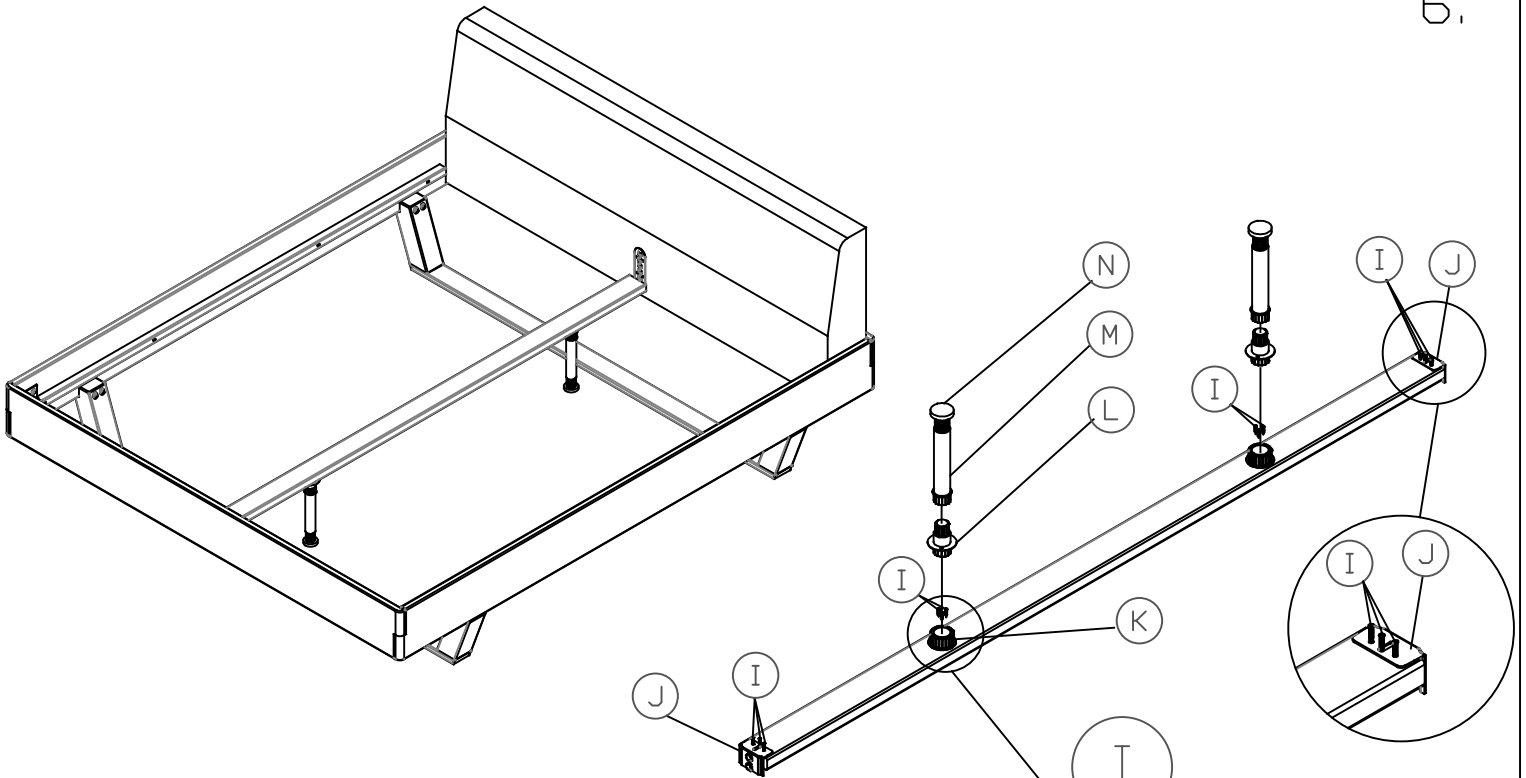
M6x50  Ex4	SW 4 
--	---

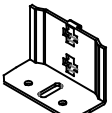


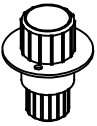
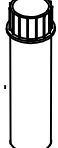
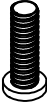
5.



7x50  Fx8	8x32  Gx4	SW 5  SW 5	 Hx2	3,5x16  Ix4
--	---	--	---	---

6.



 Jx2	3,5x16  Ix12	 Kx2	 Lx2	 Mx2	 Nx2
---	---	--	--	--	--