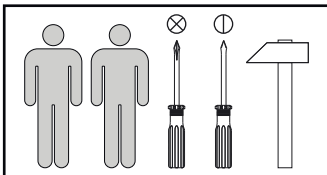
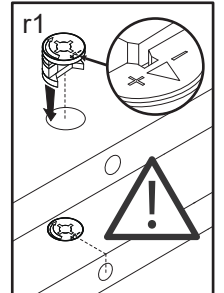
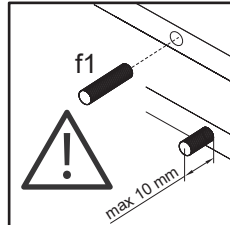
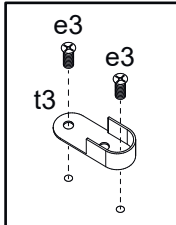
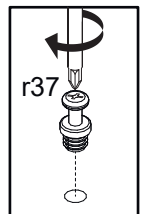
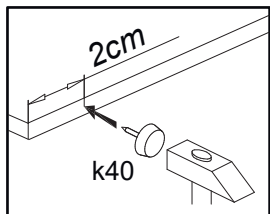
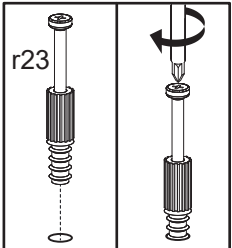
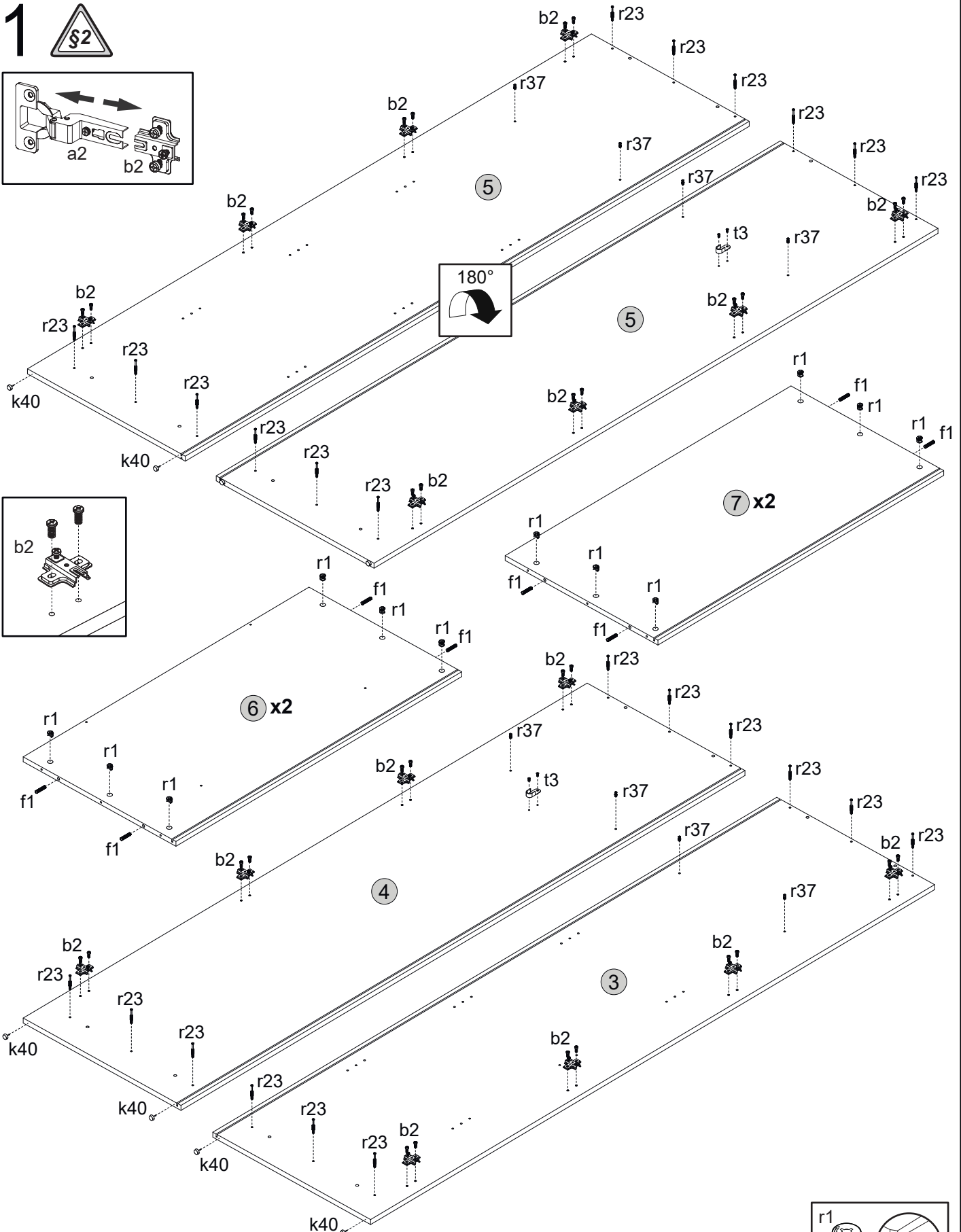
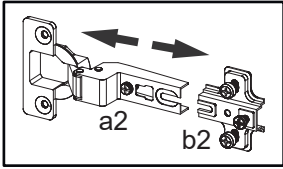


A	B (mm)	C	D
1	2050x642x16	x2	4/5
2	2050x482x16	x2	5/5
3	2132x576x16	x1	1/5
4	2132x576x16	x1	1/5
5	2132x576x16	x1	1/5
6	1114x575x16	x2	2/5
7	1114x575x16	x2	2/5
8	1114x500x16	x2	3/5
9	1114x500x16	x3	3/5
10	1114x80x16	x4	3/5
11	2033x562x2.5	x4	1/5

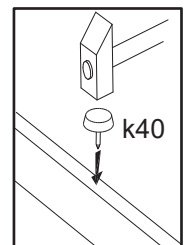
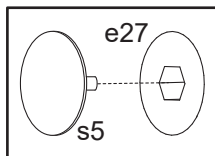
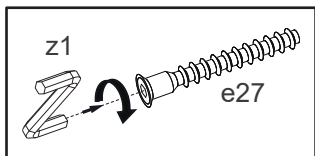
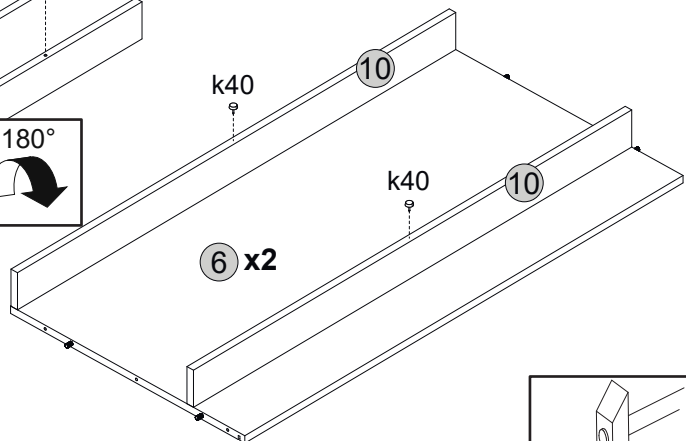
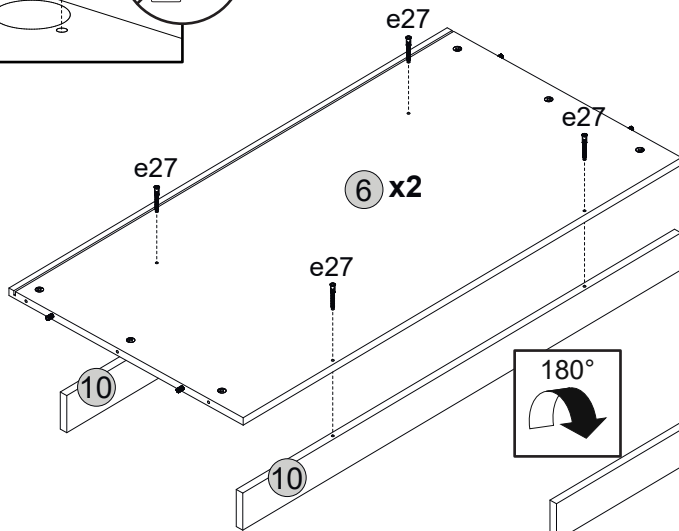
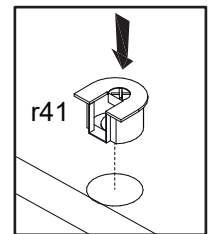
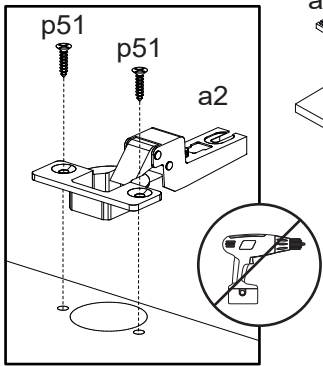
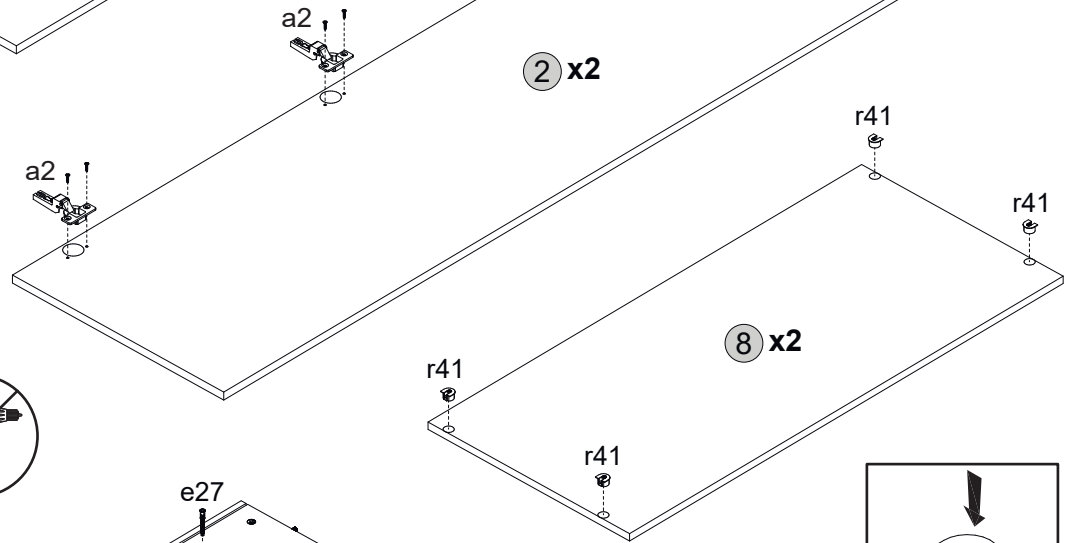
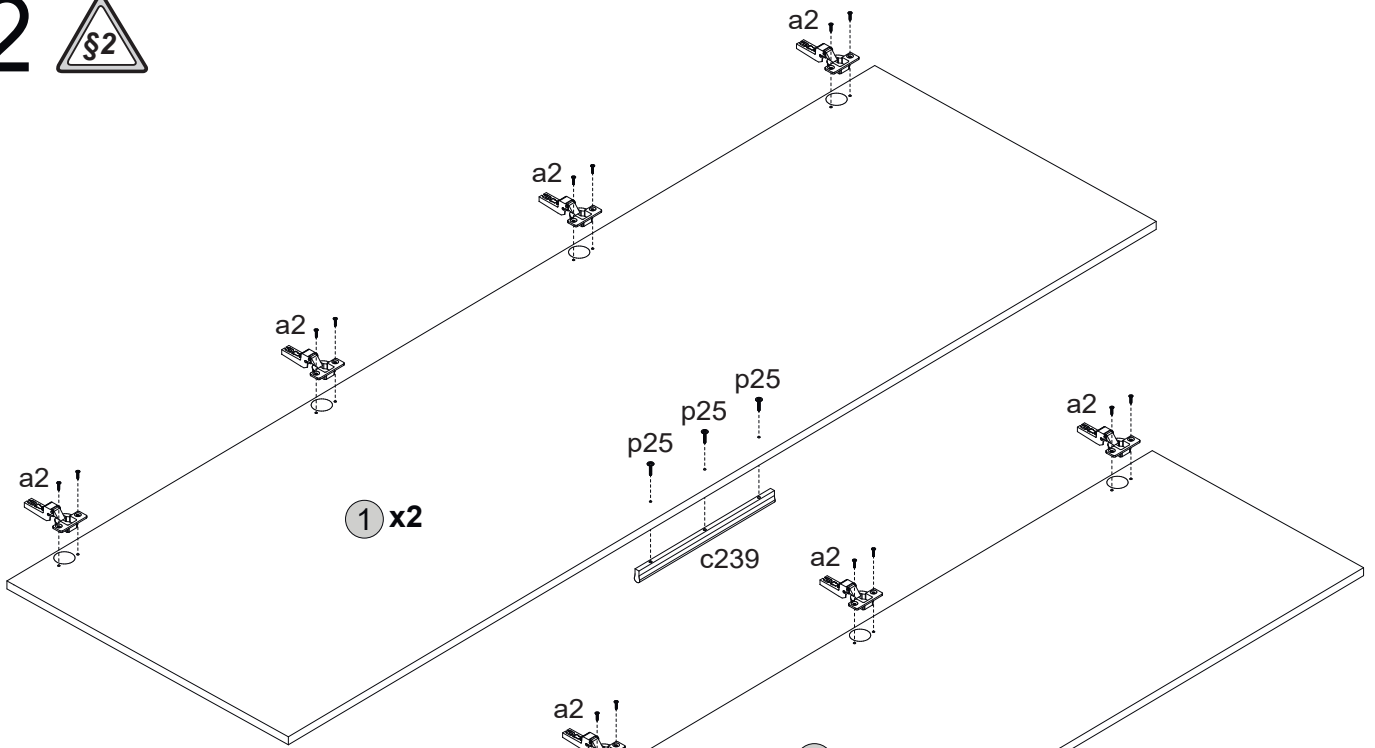


16x Ø 35mm <b>ab2</b>	2x <b>m5</b>	2x L=320mm <b>c239</b>	12x Ø 5mm <b>d1</b>	8x Ø 7x50mm <b>e27</b>	16x Ø 8x30mm <b>f1</b>	32x 10x10x15mm <b>i2</b>	10x Ø 15mm <b>k40</b>	2x 30x15mm <b>t3</b>
32x Ø 3,5x16mm <b>p51</b>	4x Ø 5x13 mm <b>e3</b>	6x Ø 4x25mm <b>p25</b>	24x Ø 15x12mm <b>r1</b>	24x 45mm <b>r23</b>	8x <b>r41</b>	8x <b>r37</b>	8x Ø 12mm <b>s5</b>	24x Ø 20mm <b>s2</b>
							1x L=1108x30x15mm <b>t1</b>	1x 4mm <b>z1</b>

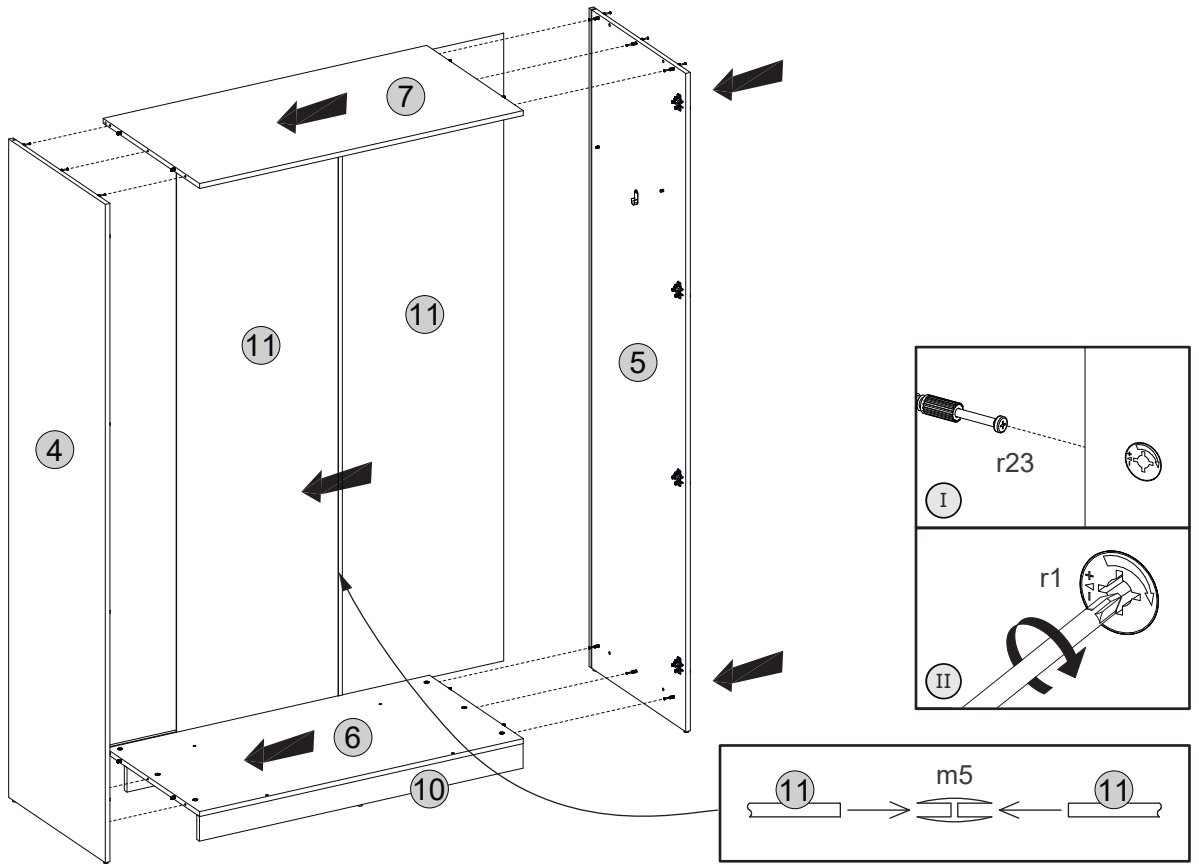
1



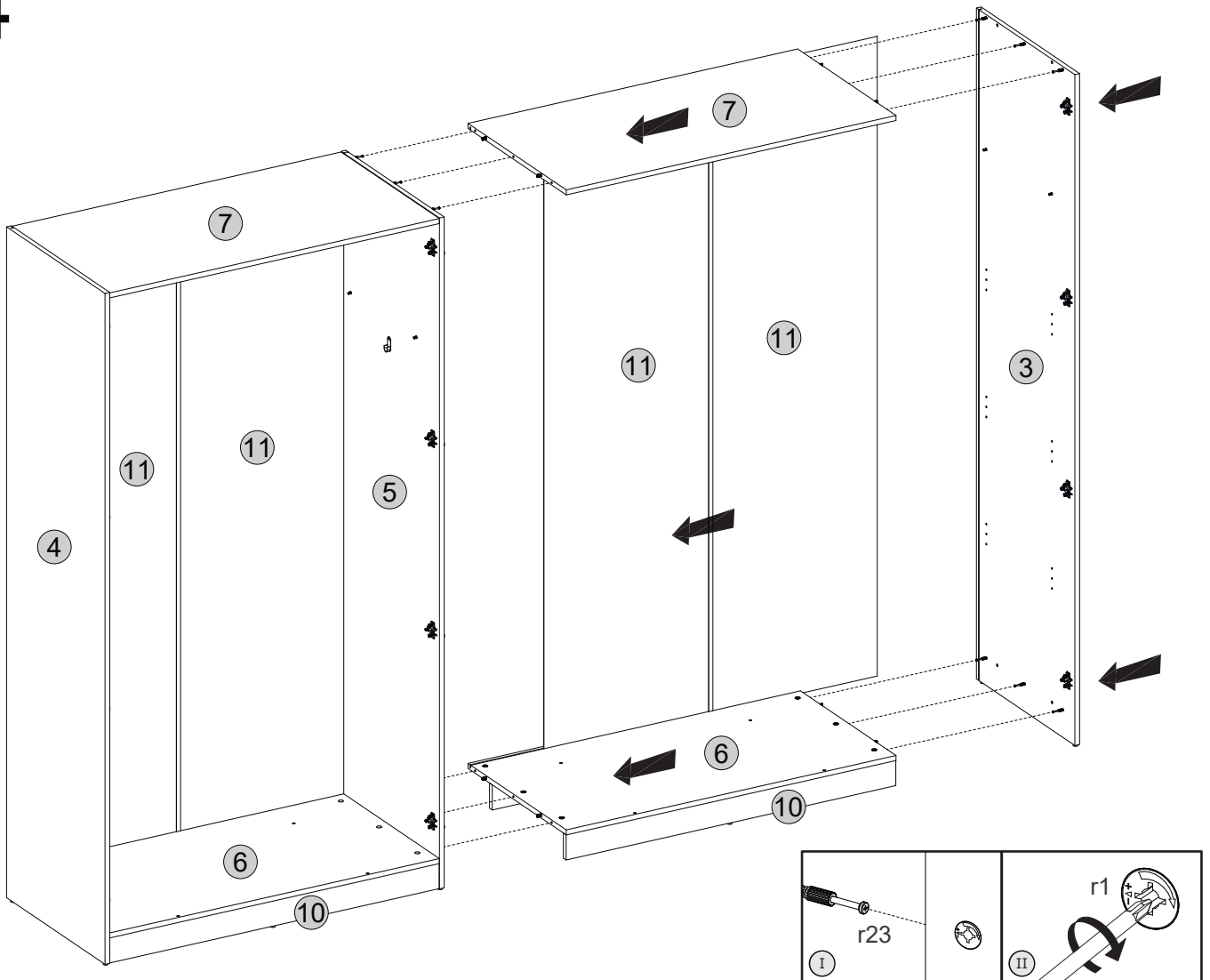
# 2



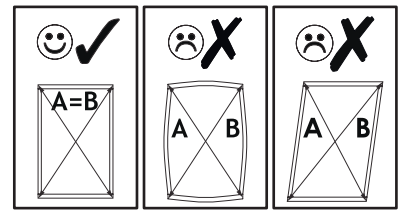
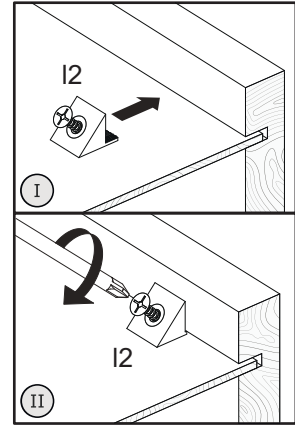
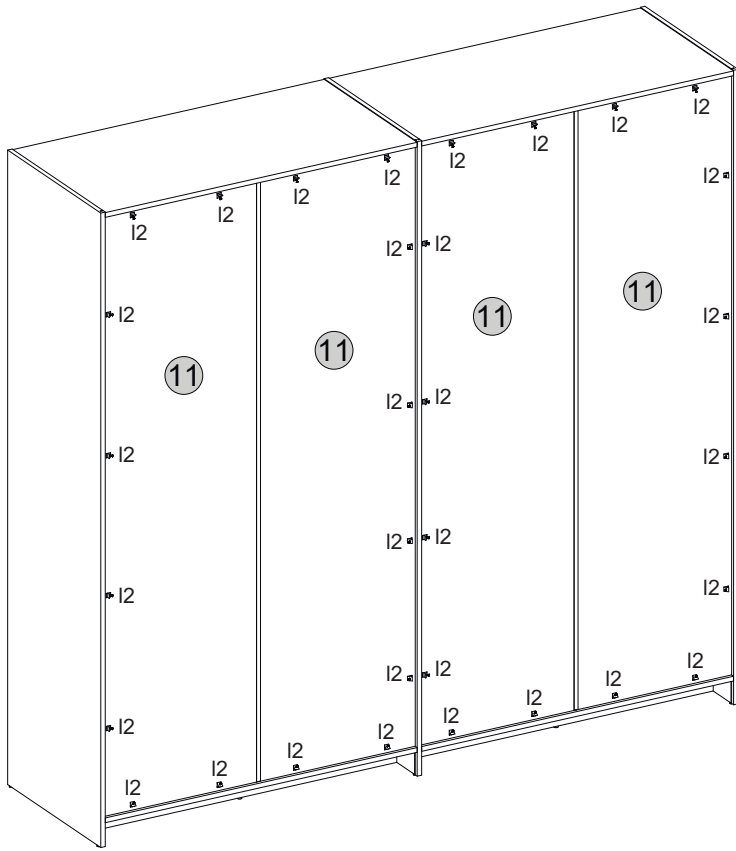
# 3



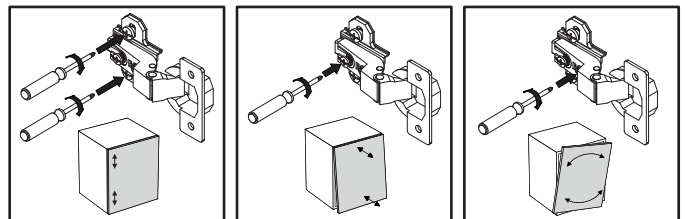
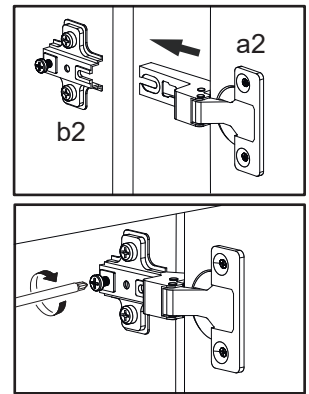
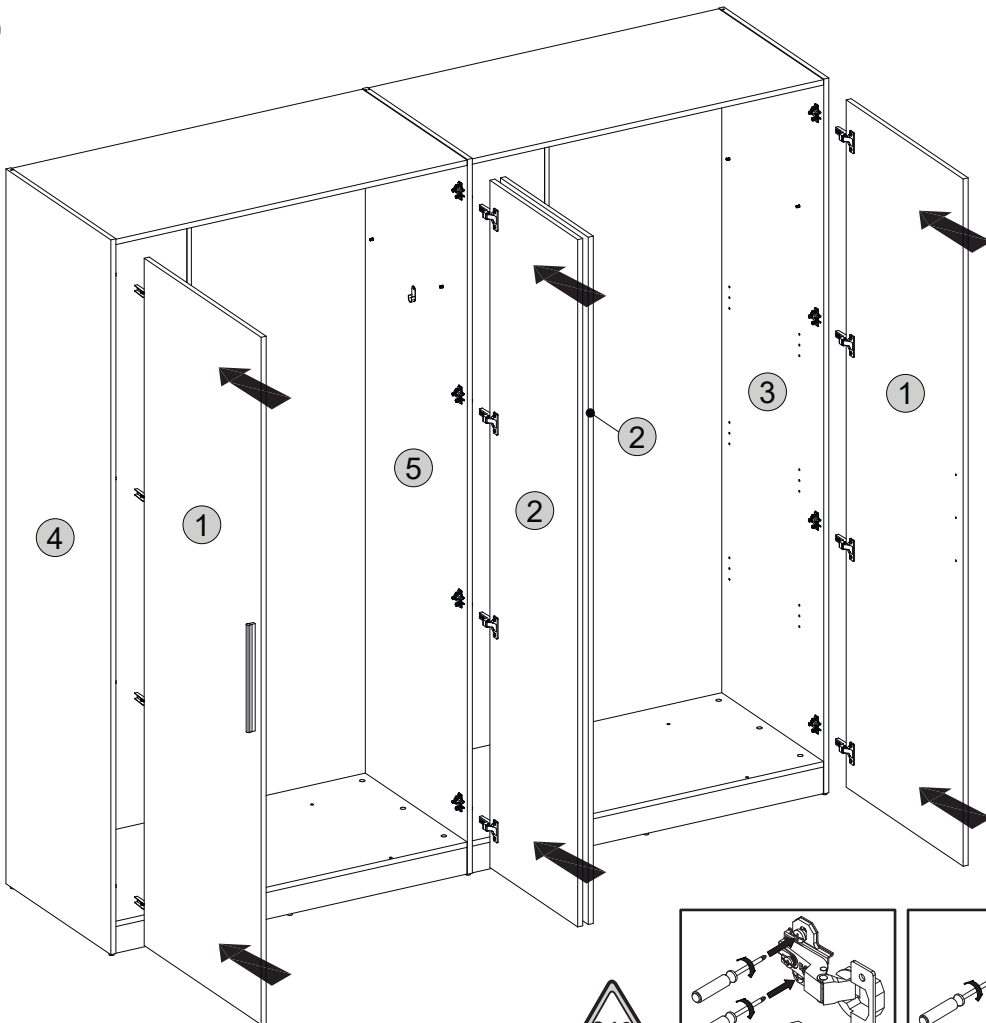
# 4



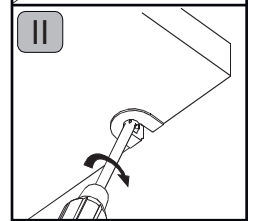
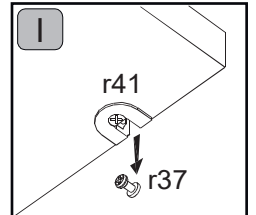
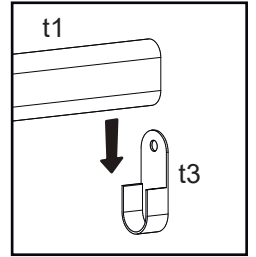
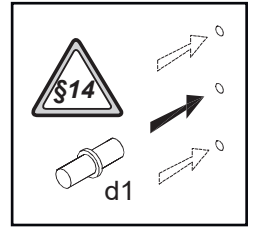
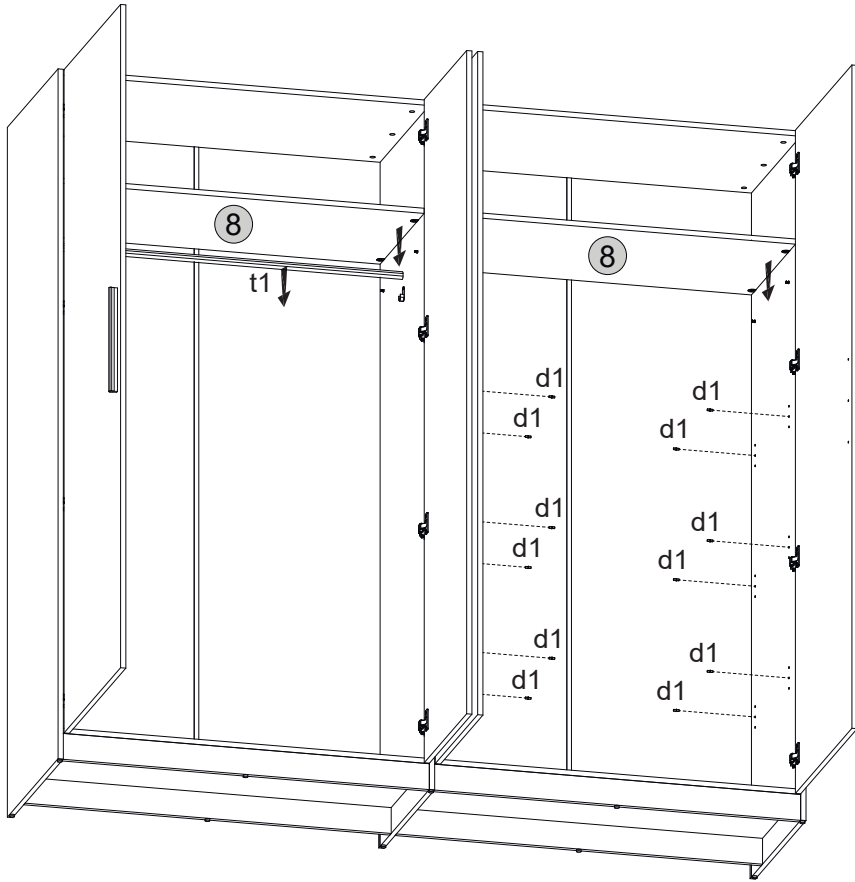
# 5



# 6



# 7



# 8

