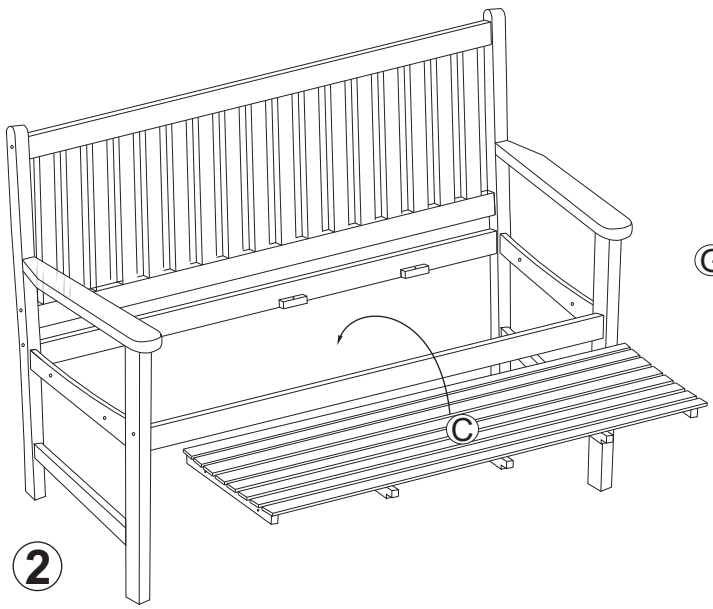
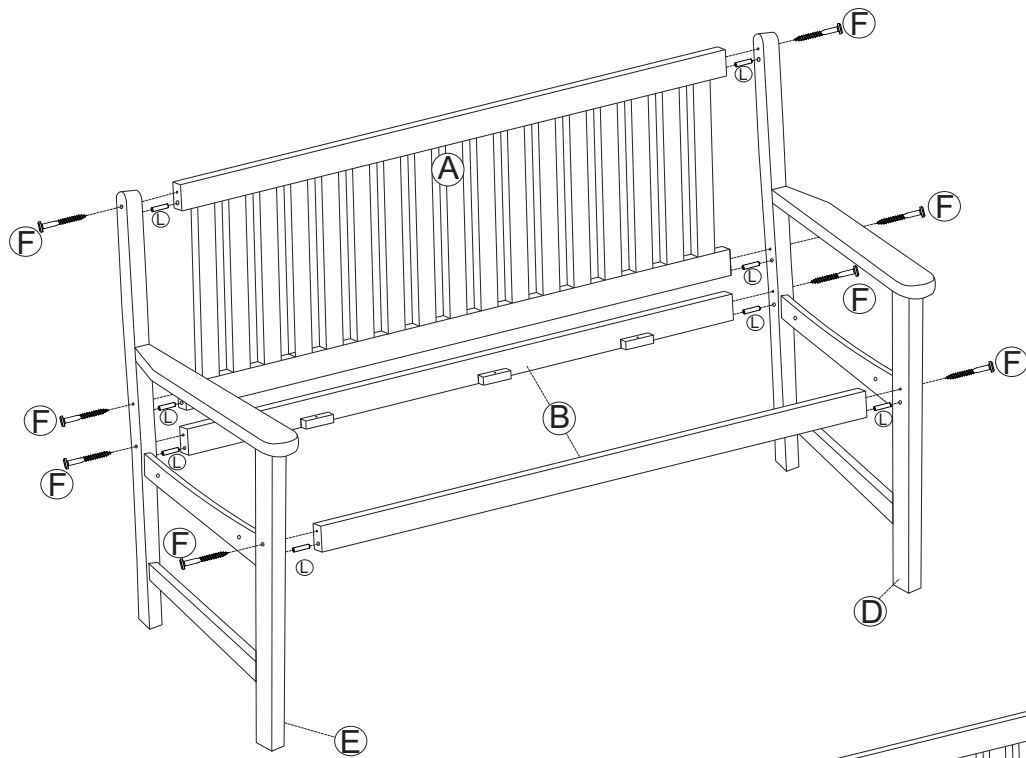
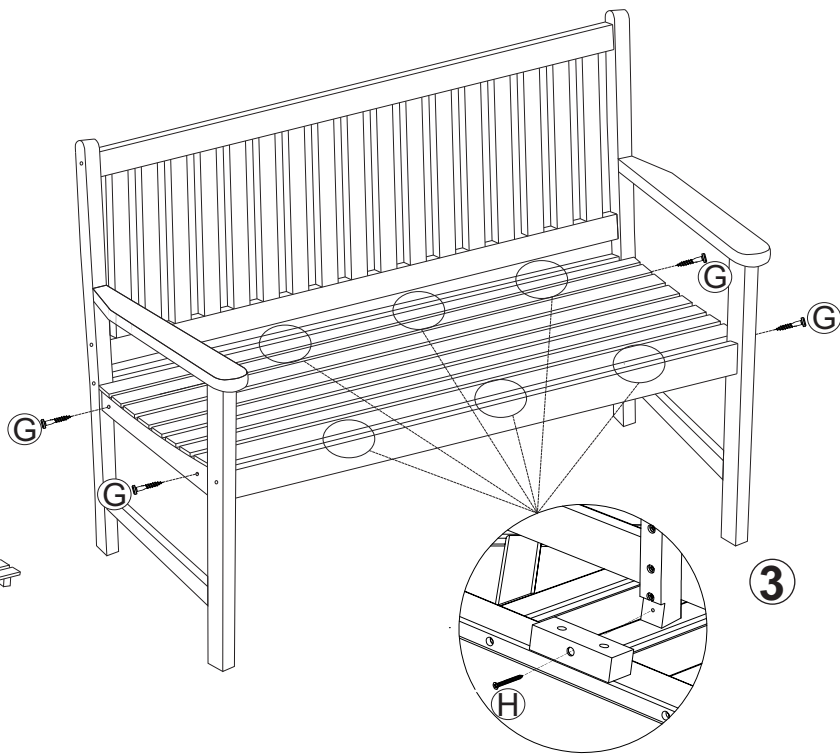


1**2****3****Parts list**

Part No.	Part Image	QTY
A		1
B		2
C		1
D		1
E		1
F		8
G		4
H		6
L		8
M		2