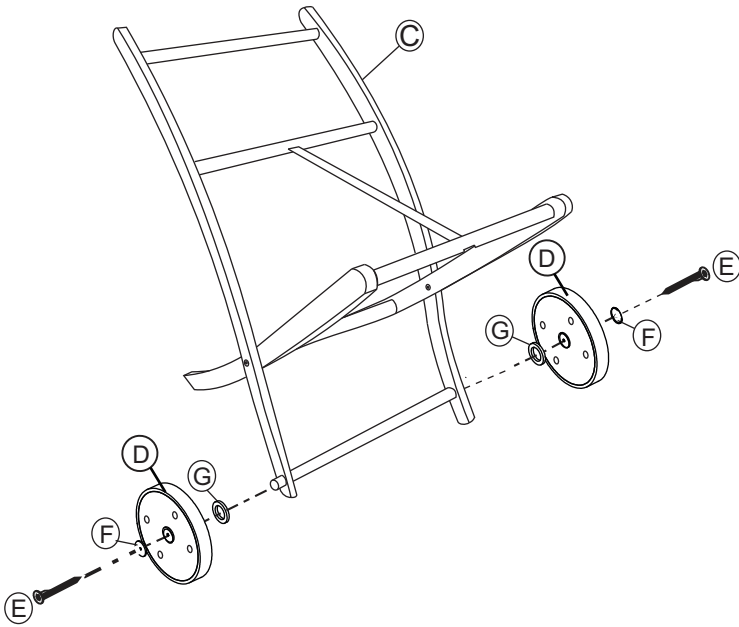


1



Parts List

Part No.	Part Image	QTY
A		1
B		1
C		1
D		2
E		2
F		2
G		2
H		2

2

