

FIELDMANN®

Home & Garden Performance

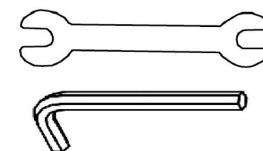


FDZN 5204

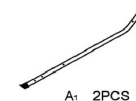
FAST ČR, a.s., U Sanitasu 1621,
251 01 Říčany, Czech Republic
www.fieldmann.eu



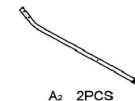
Tools needed



Parts list



A₁ 2PCS



A₂ 2PCS



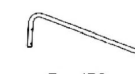
B 1PC



C 1PC



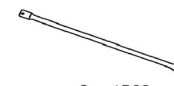
D 2PCS



E 1PC



F 1PC



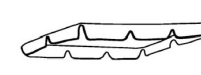
G 4PCS



H 1PC



I 2PCS



J 1PC



K 2PCS



L 2PCS



M M6x88mm 4pcs



N M6x70mm 4pcs



X 2pcs



W 2pcs



S 2pcs



O M6x35mm 2pcs



P M6x25mm 3pcs



M6



M6



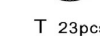
M6



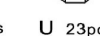
Q 6x63mm 4pcs



R M6x45mm 6pcs



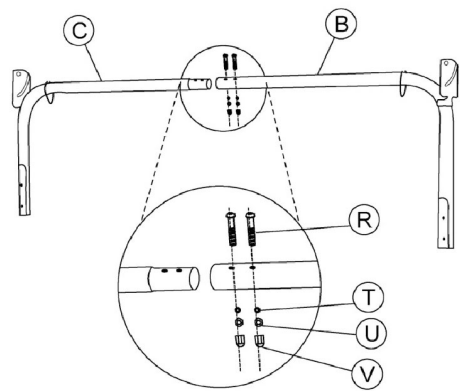
T 23pcs



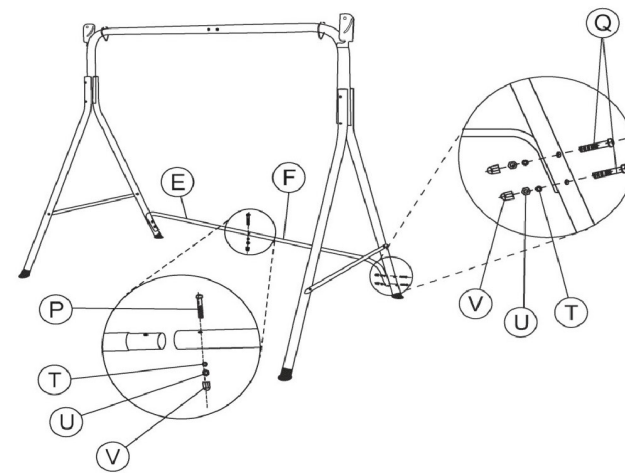
U 23pcs



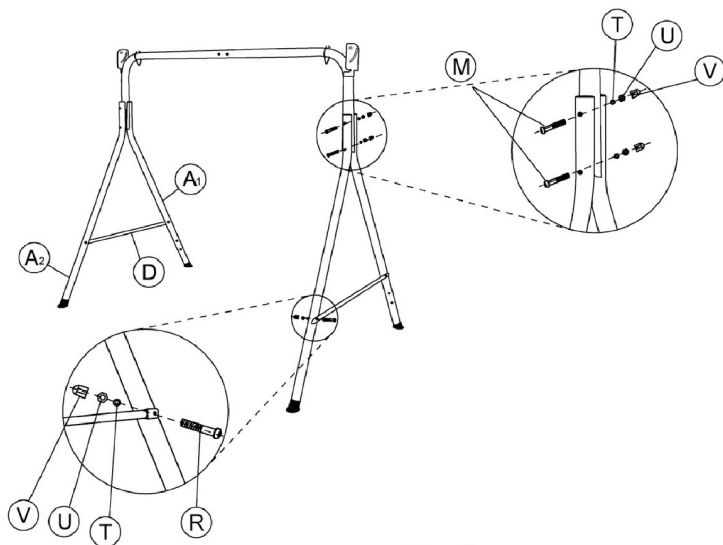
V 23pcs



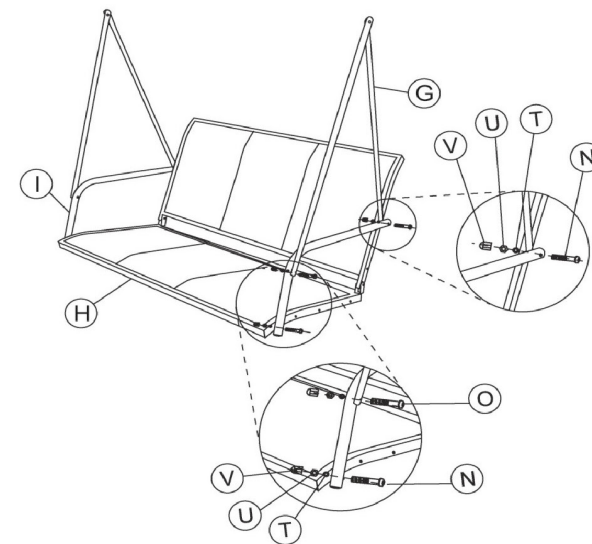
Step 1



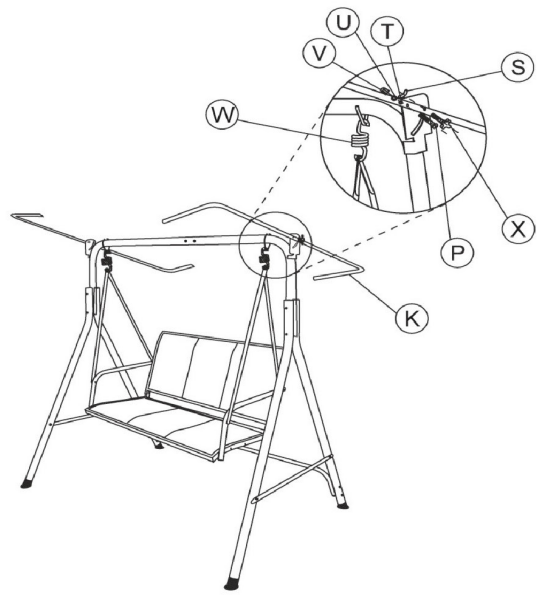
Step 3



Step 2



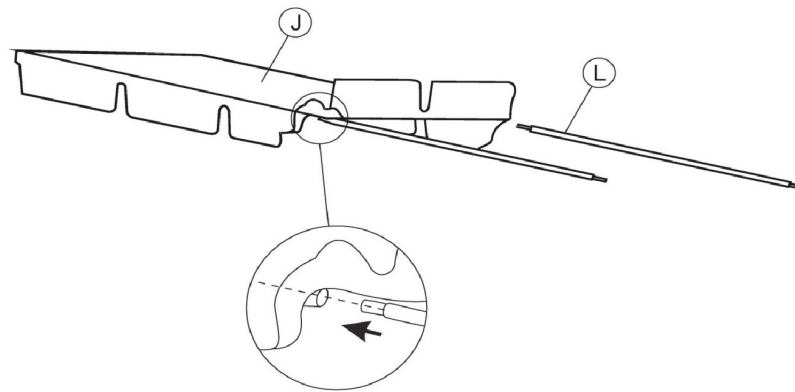
Step 4



Step 5



Step 7



Step 6