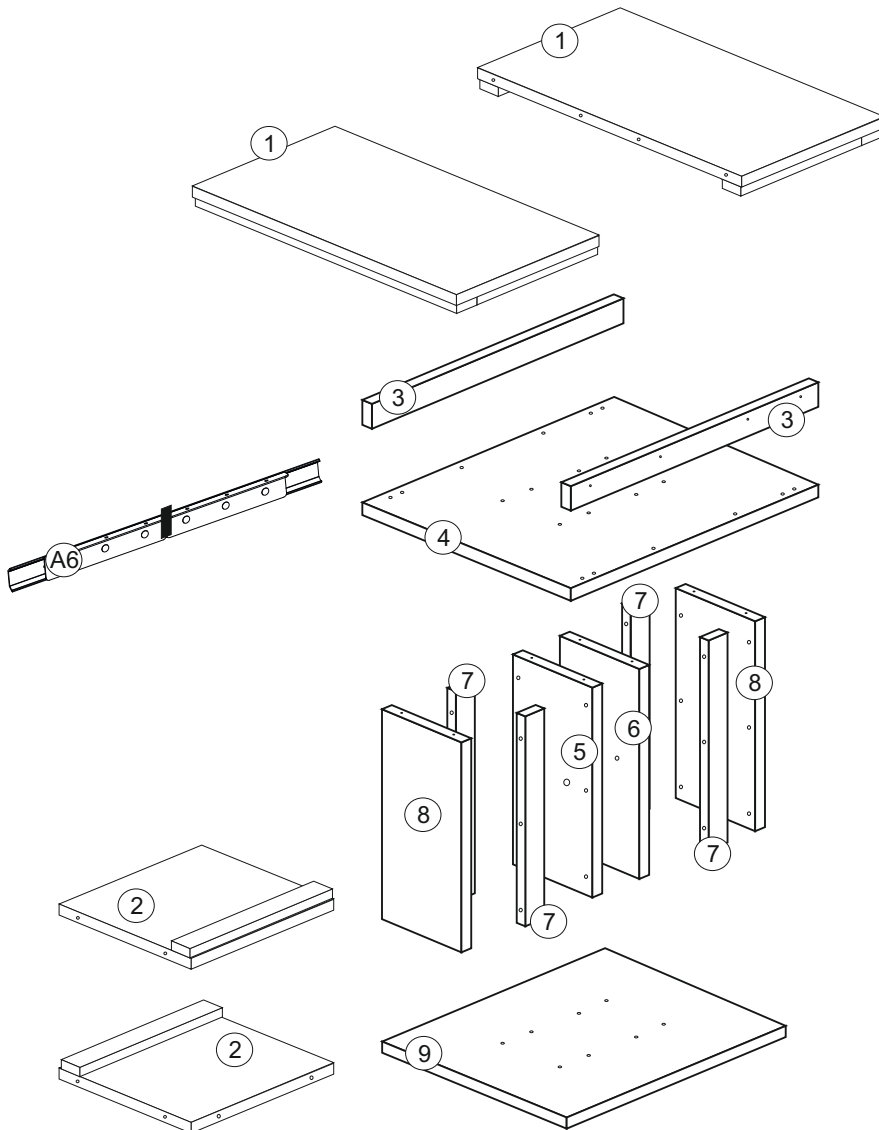
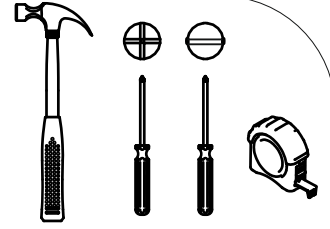
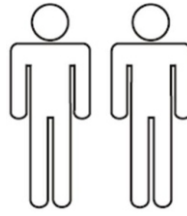
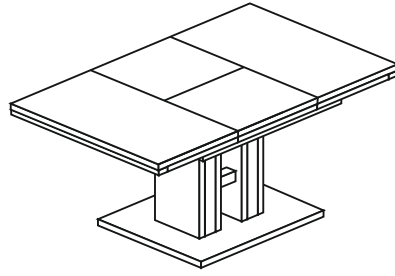
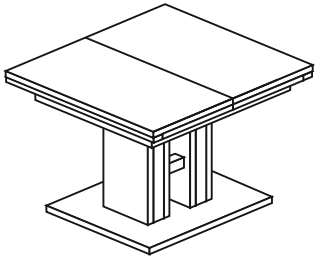
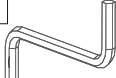

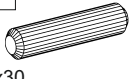
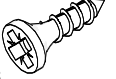



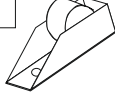

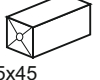
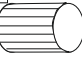
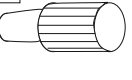

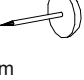




Kyrla

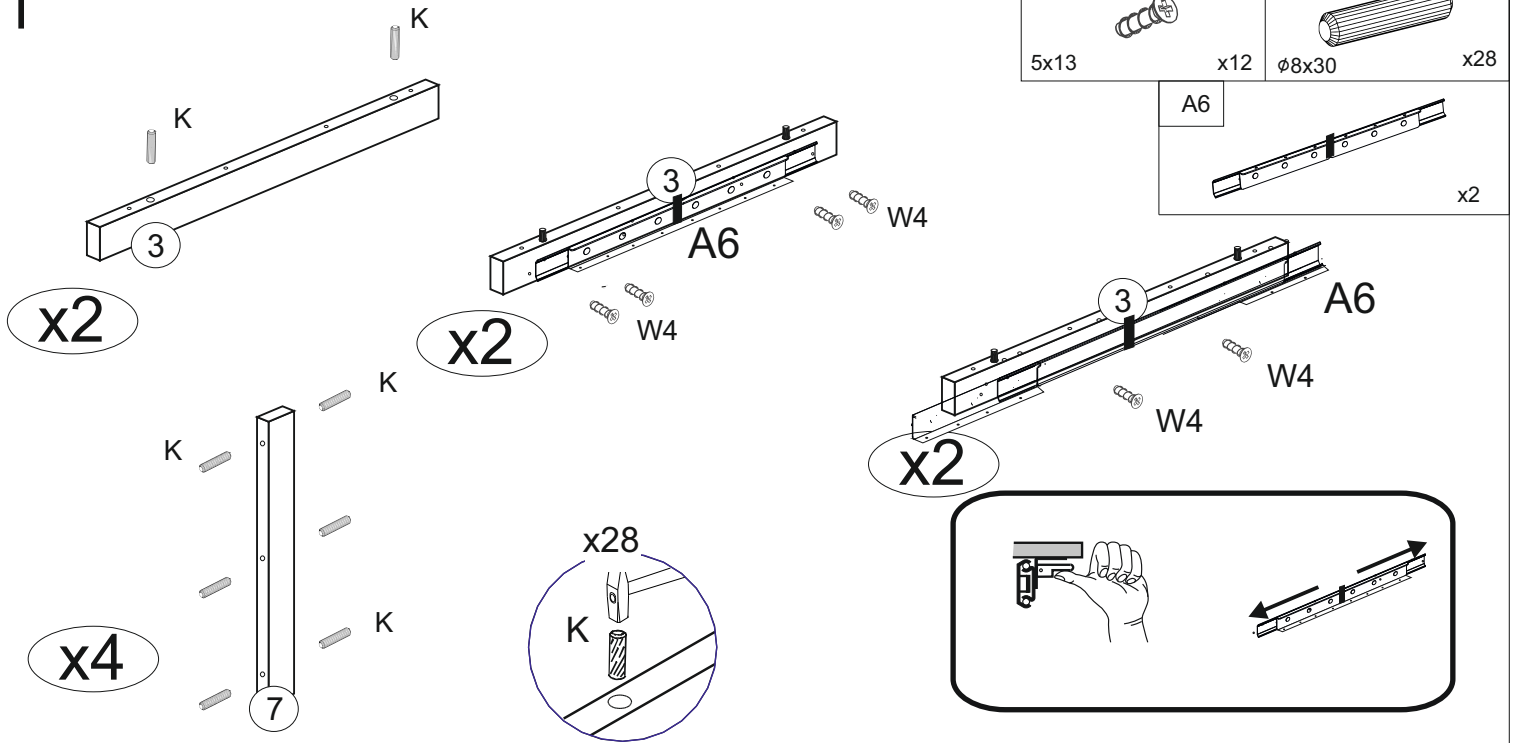


1	1	1000x500x36	x2
1	2	500x500x36	x2
2	3	779x70x18	x2
2	4	780x700x18	x1
1	5	610x350x18	x1
1	6	610x350x18	x1
2	7	610x80x18	x4
2	8	610x350x18	x2
2	9	700x700x18	x1
2	A6	L-750	x2

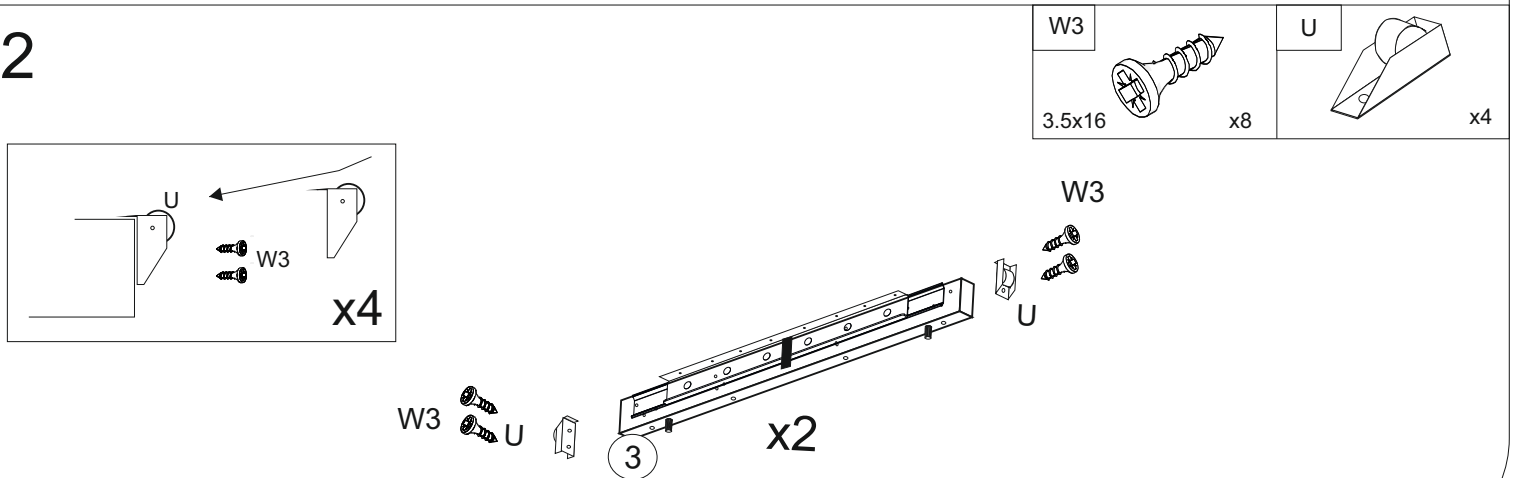


A  x1	L  φ7x50 x24	K  φ8x30 x28	W3  3.5x16 x10	E1  M6 x2
E2  M6 x2	E3  M6x190 x2	U  x4	P.  x2	G  170x45x45 x2
J1  x10	J2  x10	B  x16	C  D=15mm x6	W4  5x13 x24
T  x4				

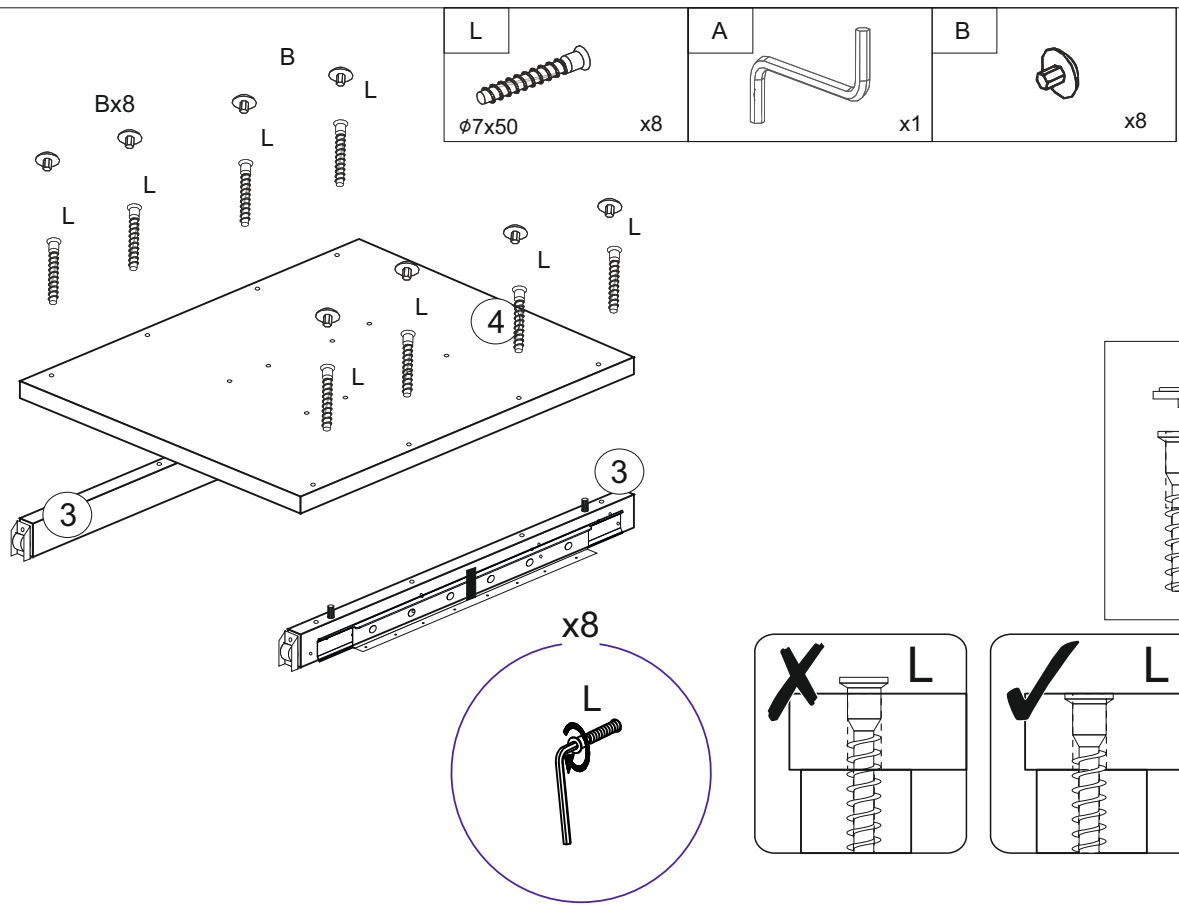
1



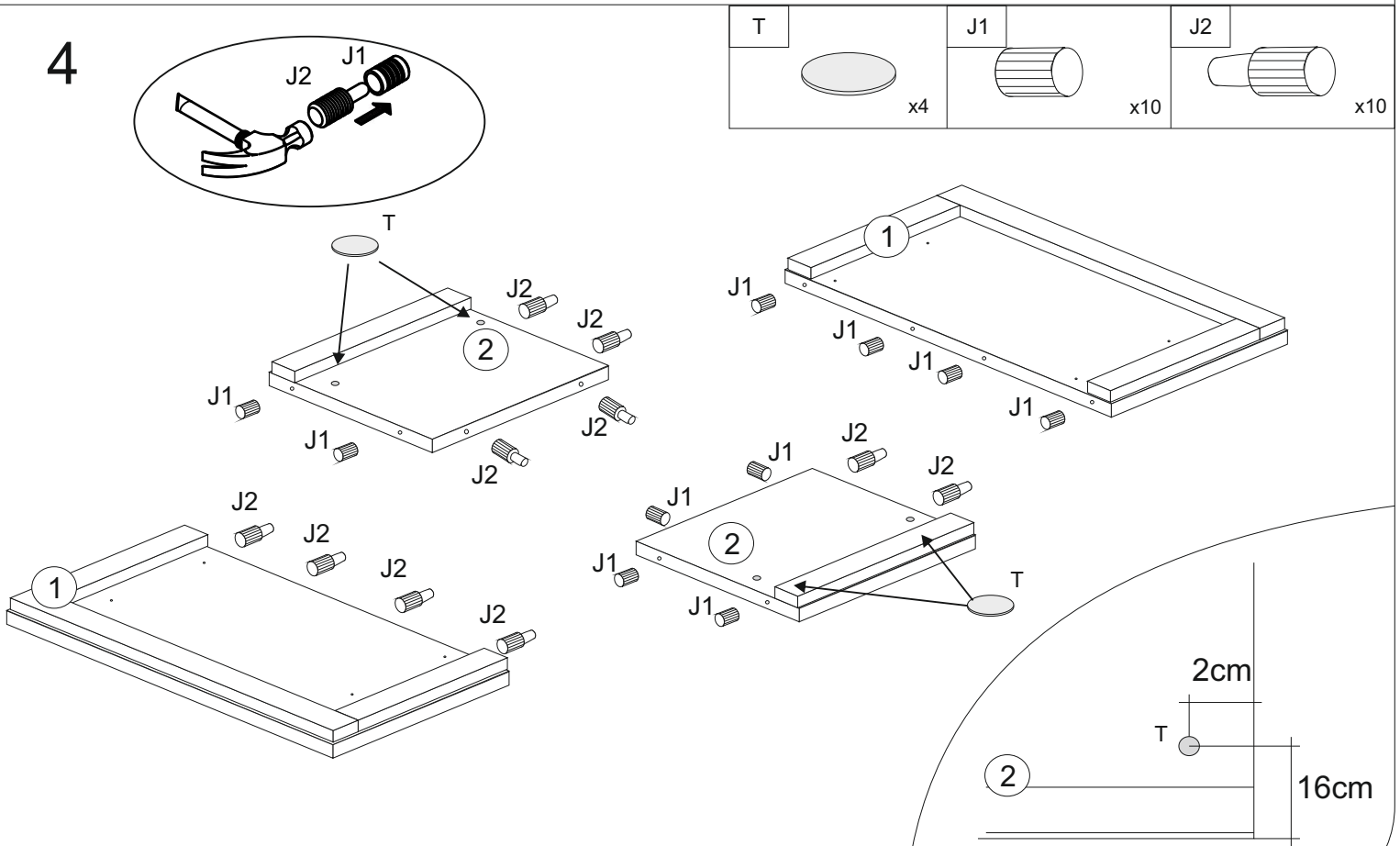
2



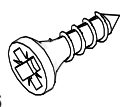
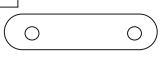
3

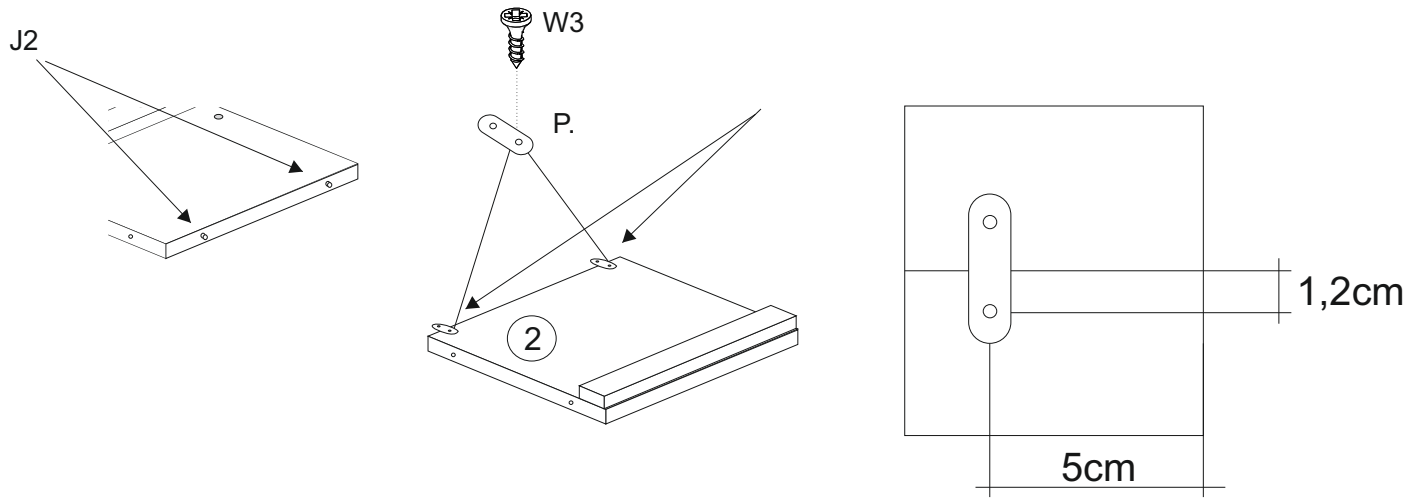


4




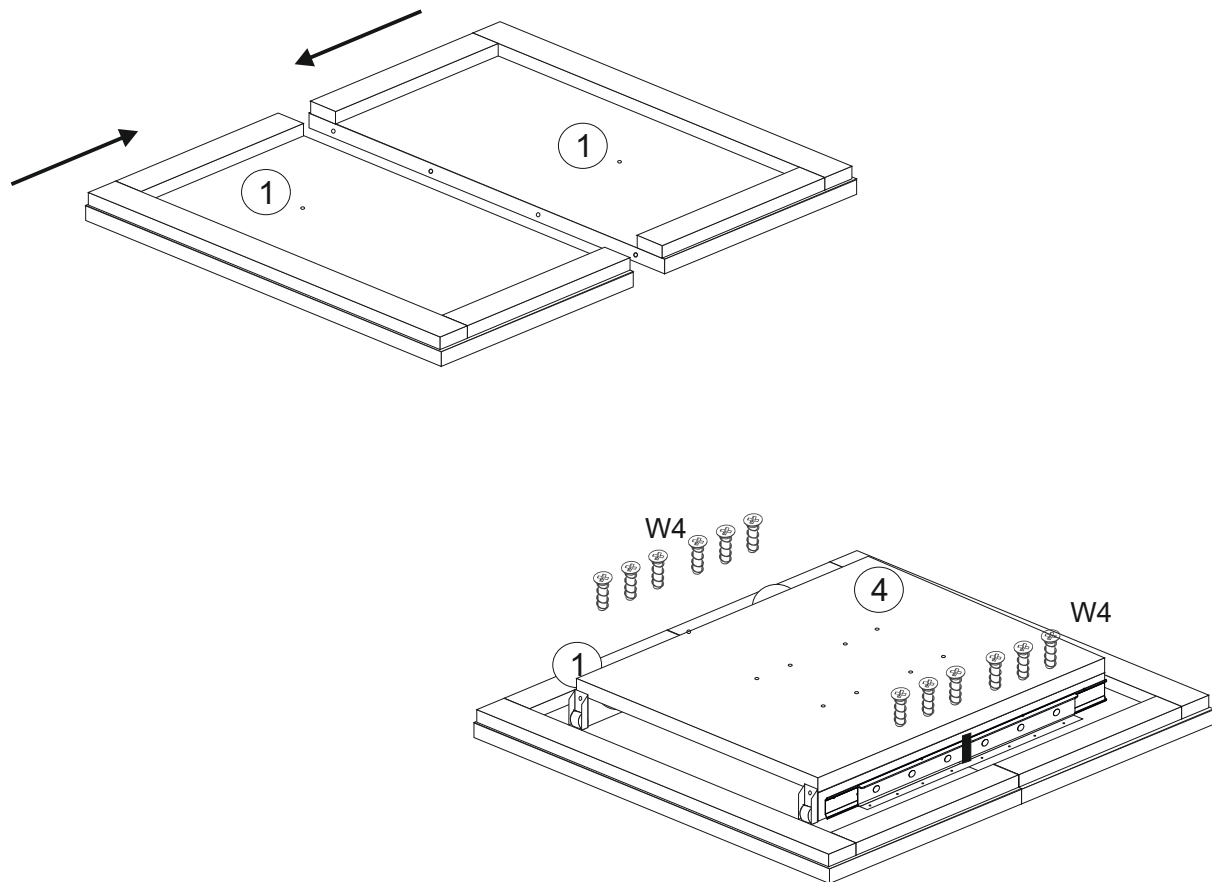
5

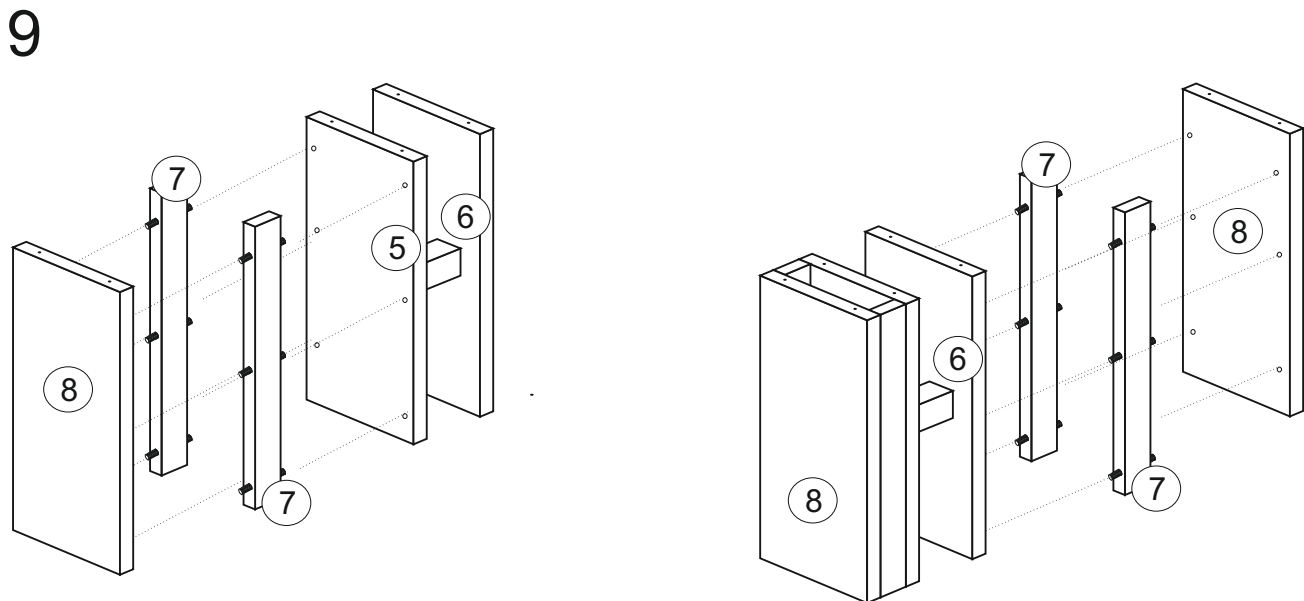
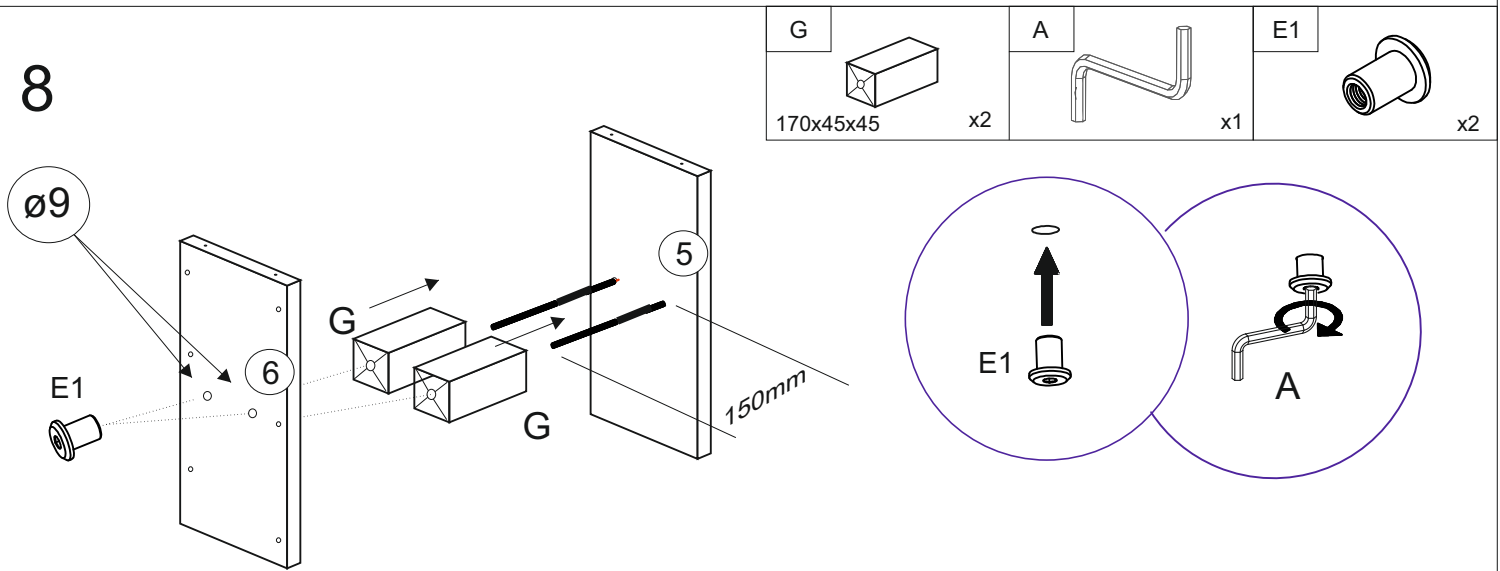
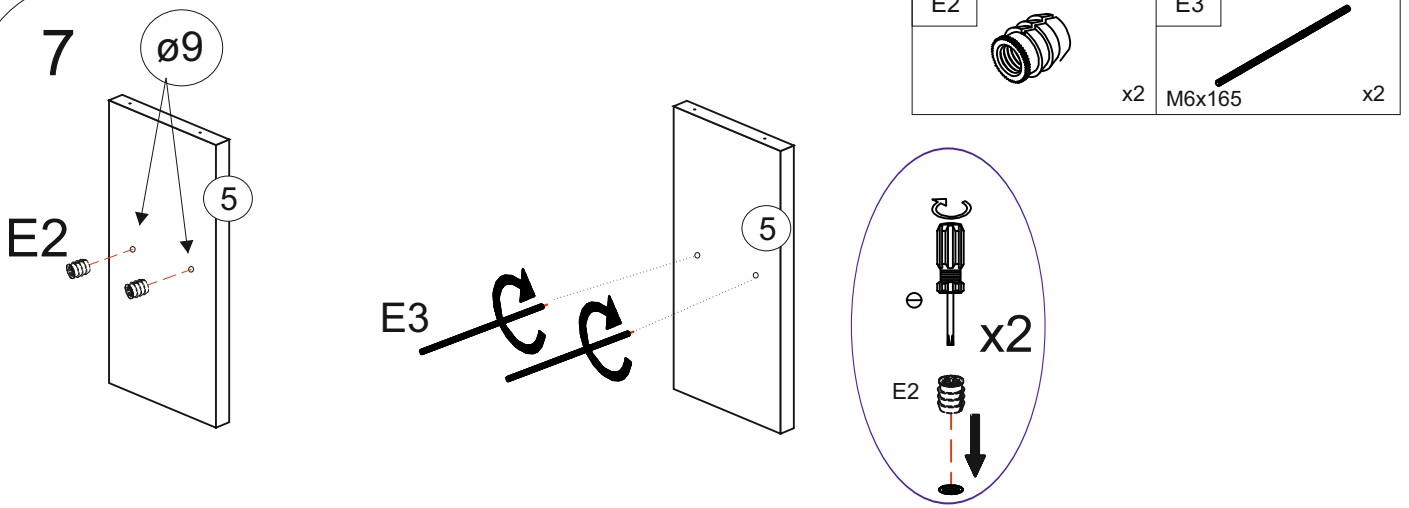
W3		P.	
3.5x16	x2		x2



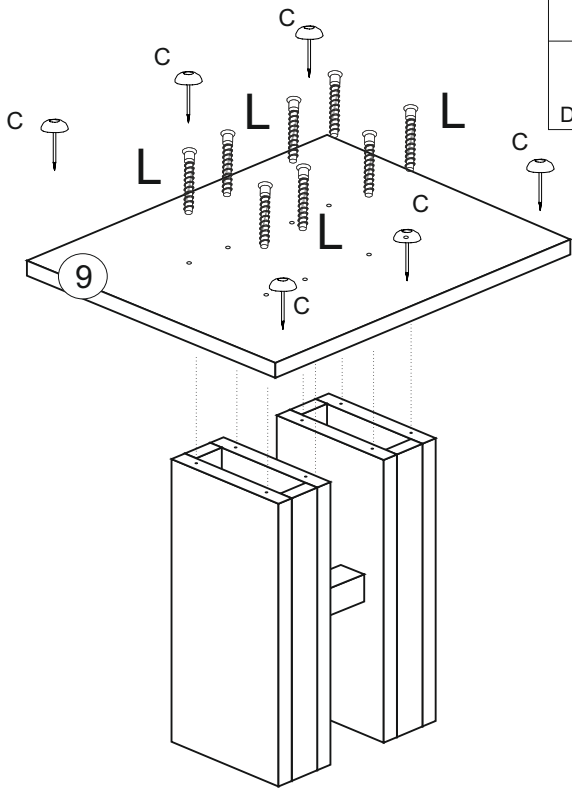
6

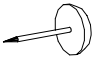
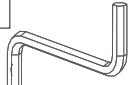

W4	
5x13	x12

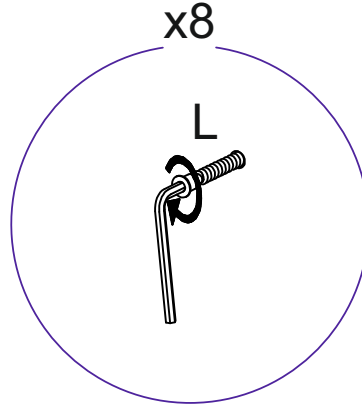
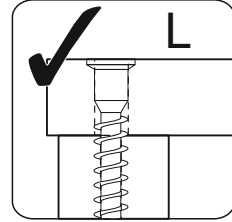
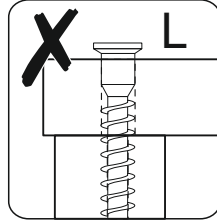




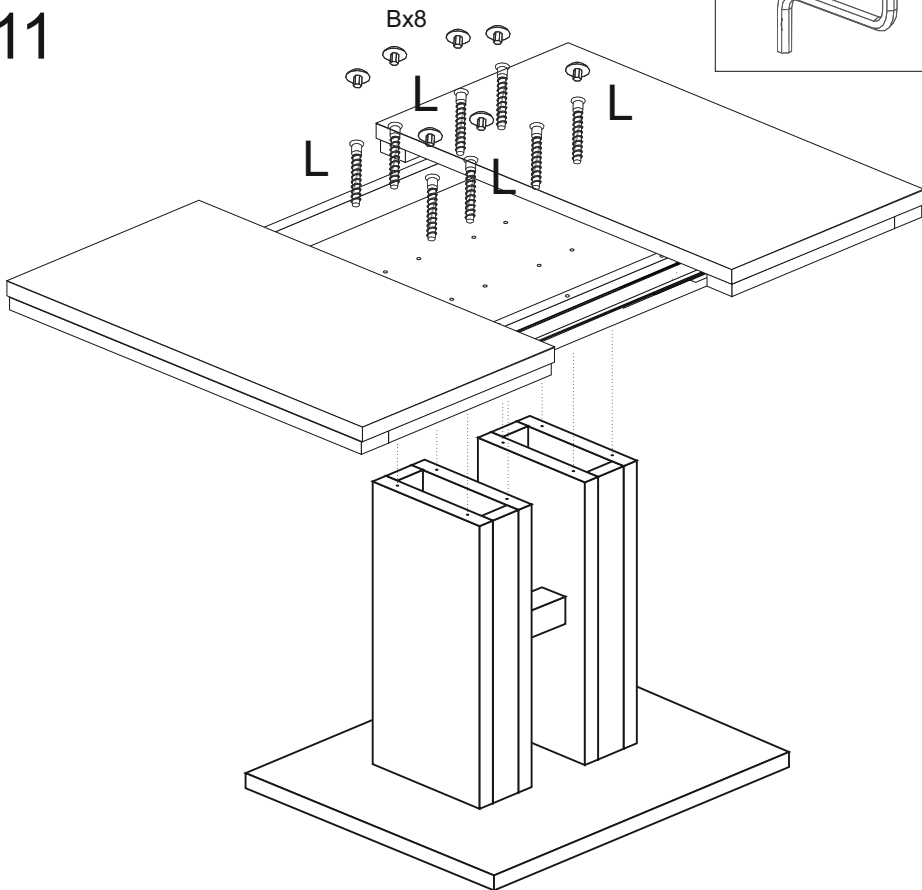
10

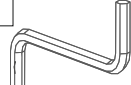




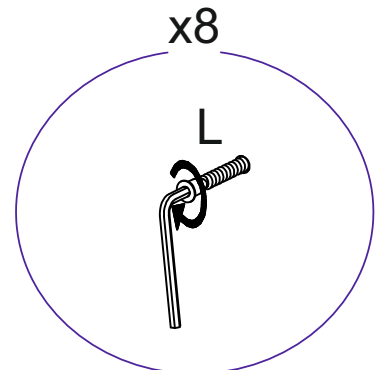
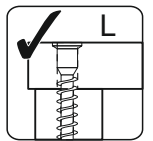
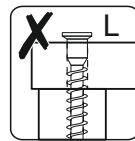
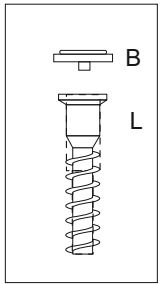
C		A		L	
	D=15mm		x6		x1
					φ7x50
					x8



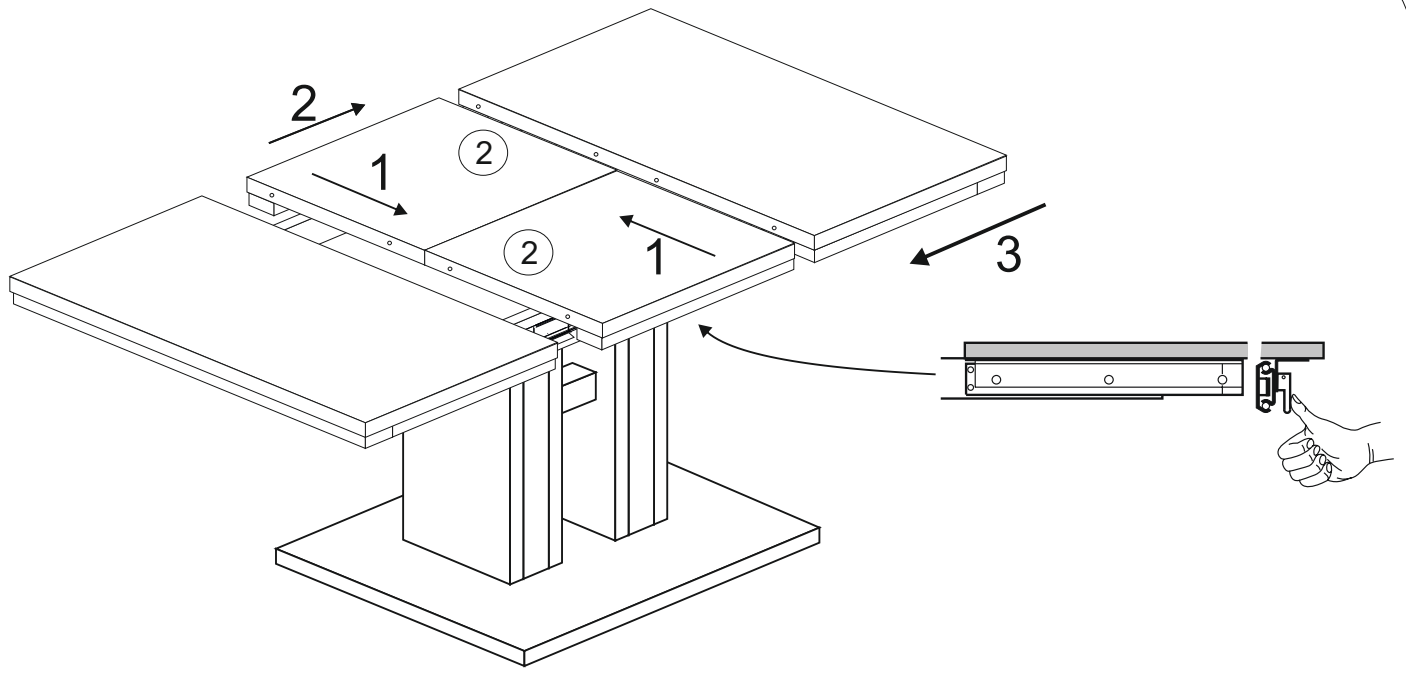
11



A		L		B	
	x1		φ7x50		x8



12



13

