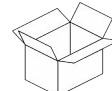
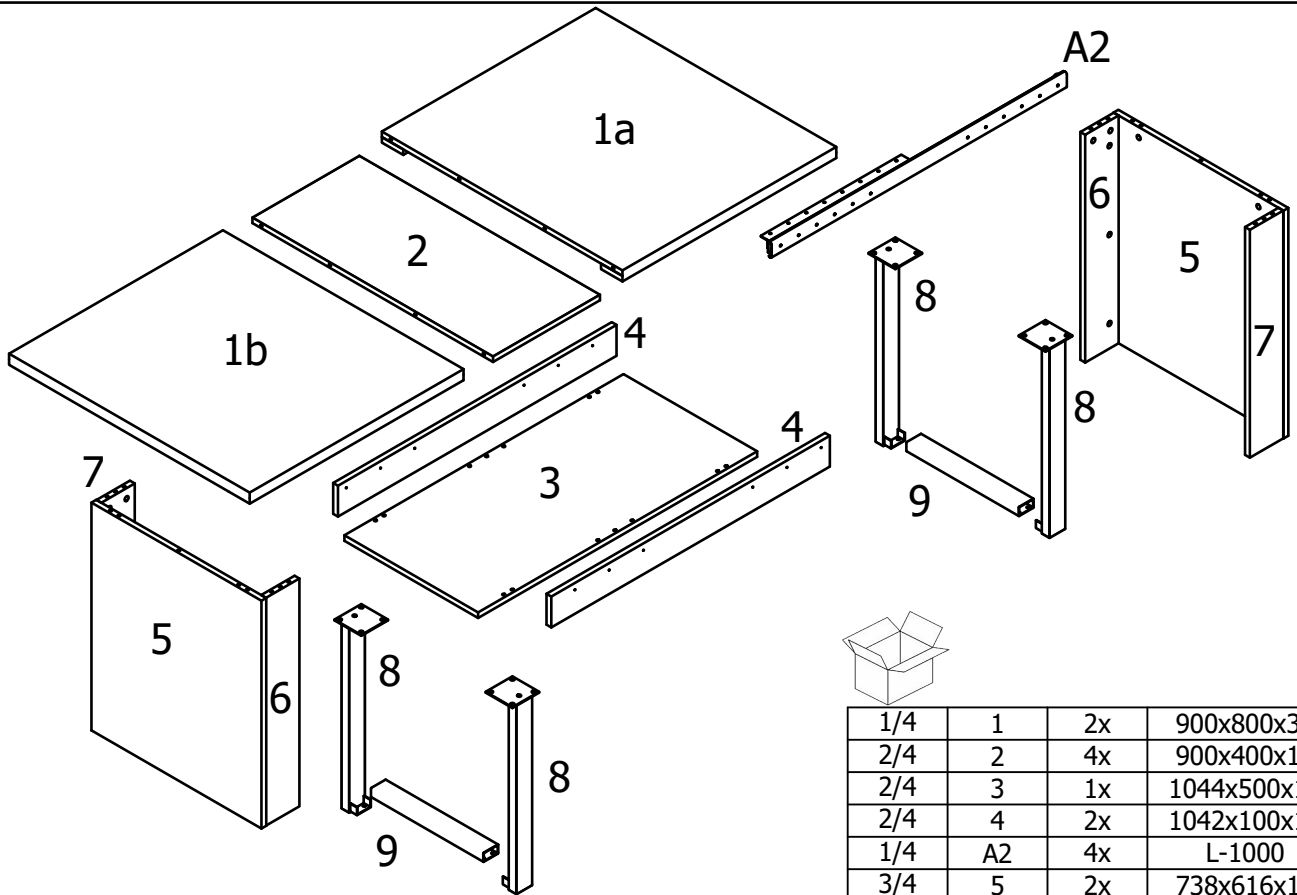
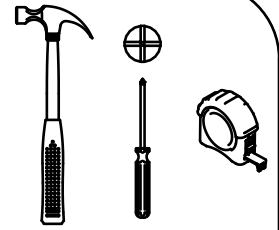
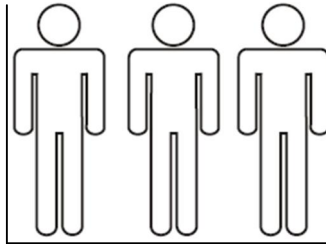
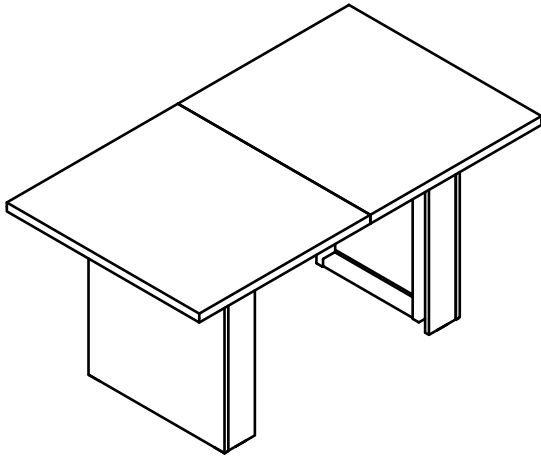
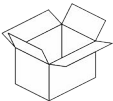
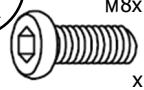
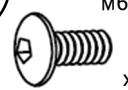


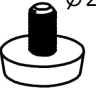





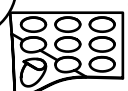
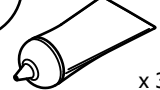












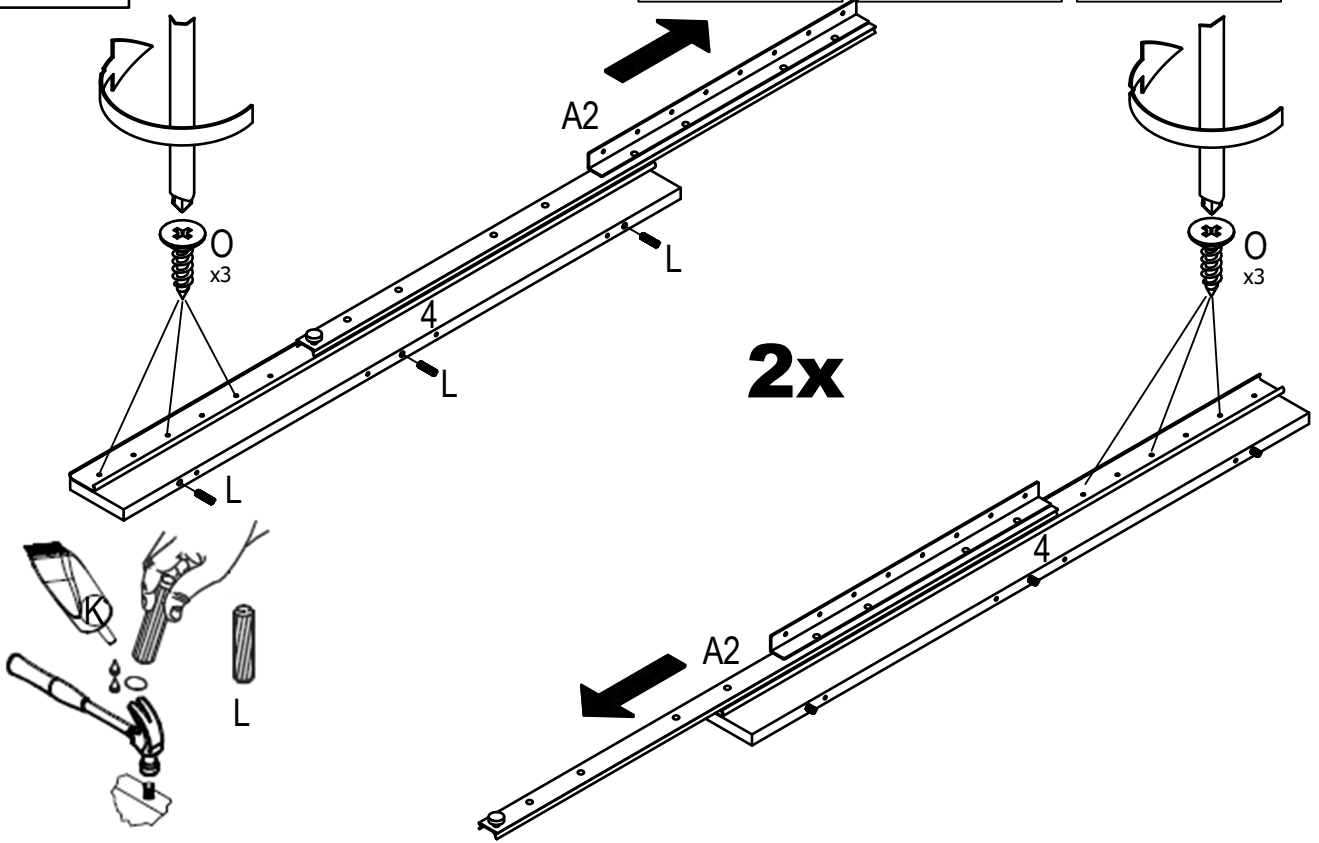
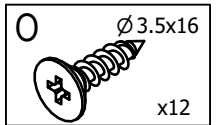
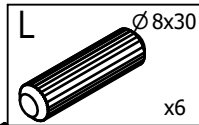
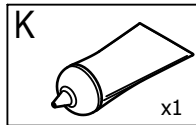
Anni T



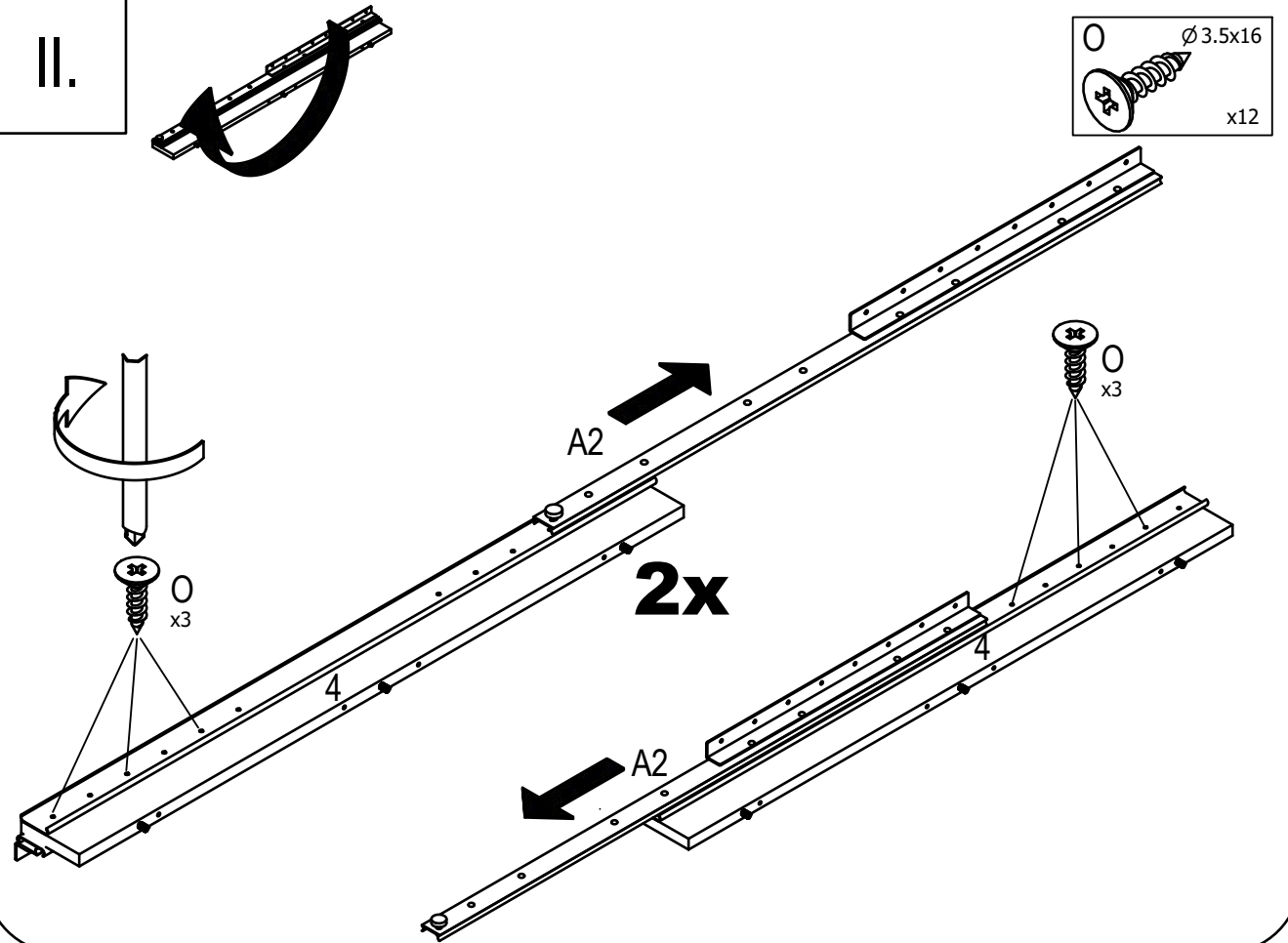
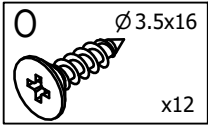
1/4	1	2x	900x800x36
2/4	2	4x	900x400x18
2/4	3	1x	1044x500x18
2/4	4	2x	1042x100x18
1/4	A2	4x	L-1000
3/4	5	2x	738x616x18
3/4	6	2x	738x125x18
3/4	7	2x	738x125x18
4/4	8	4x	620x60x30
4/4	9	2x	420x60x30

 4/4	A  M8x16 x 16	B  M6x13 x 8	C  Ø 16 x 16	D  Ø 8x12 x 16	E  Ø 25xM8 x 4
F  SW4 x 1	G  SW5 x 1	H  SW8 x 1	 2/4	I  Ø 7 Lx50 x 8	J  Ø 20 x 24
K  x 3	L  Ø 8x30 x 32	M  x 20	N  x 20	O  Ø 3,5x16 x 40	P  Ø 3,5x16 x 36
Q  x 8	R  Ø 15 x 24	S  x 24	T  x 2	U  x 16	

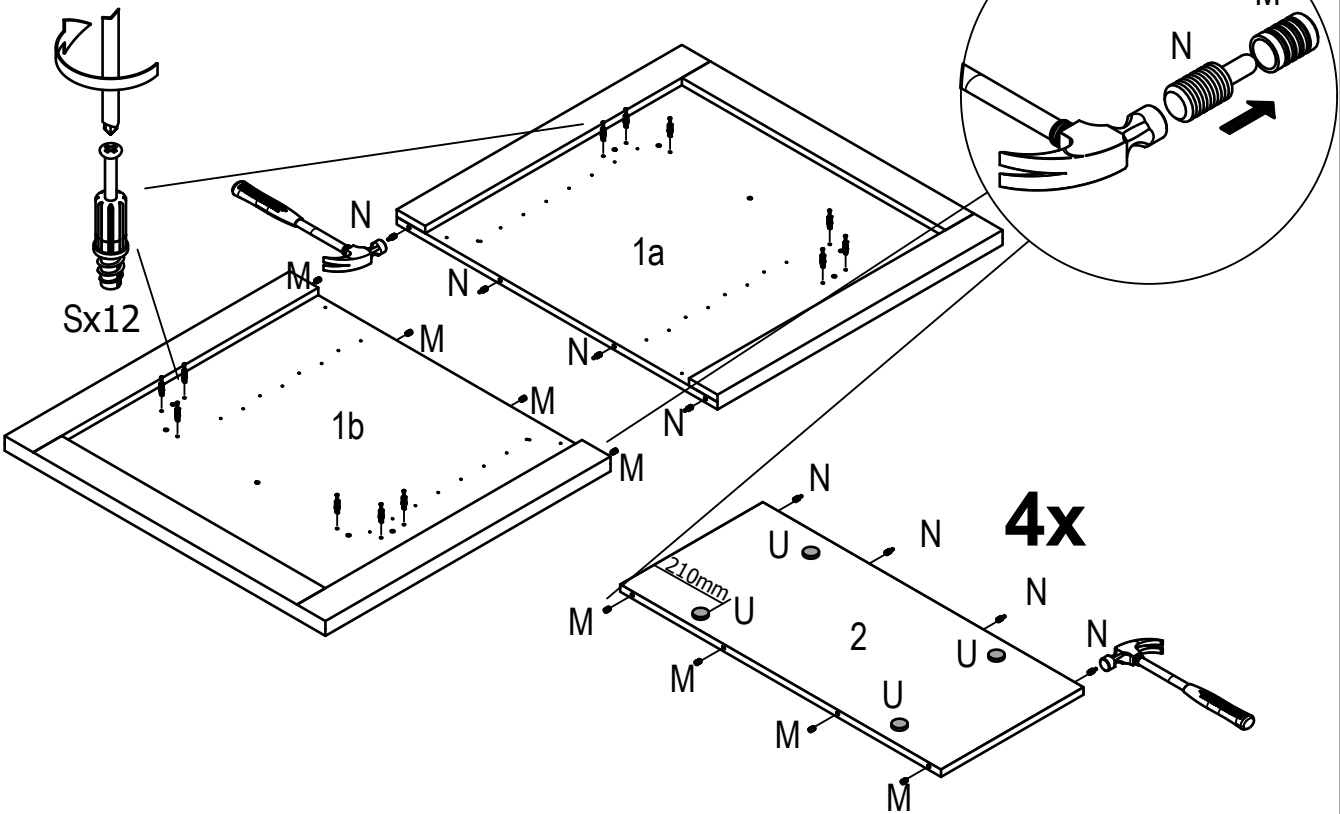
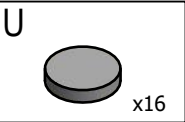
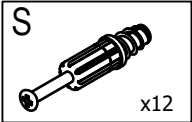
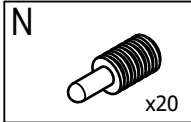
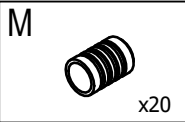
I.



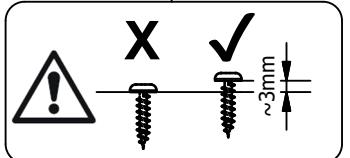
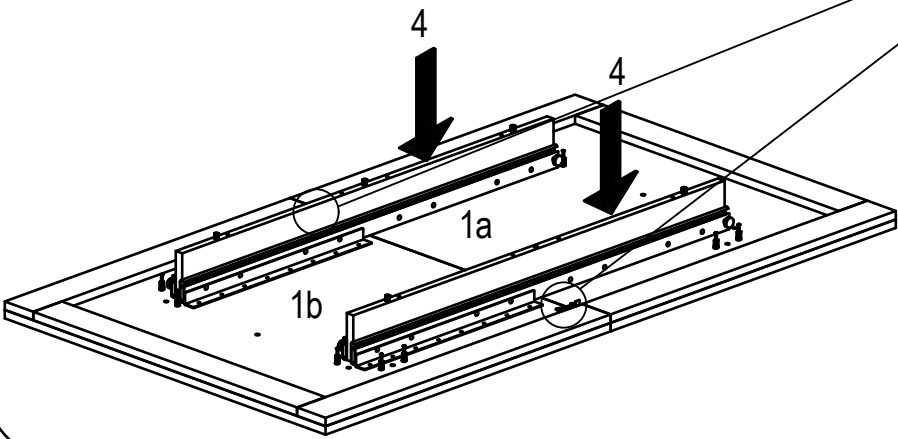
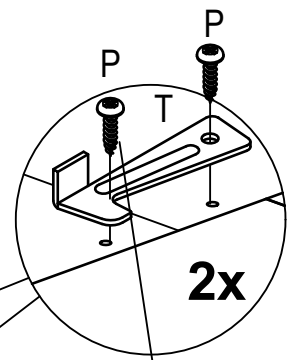
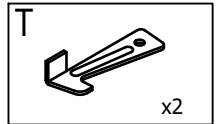
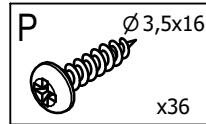
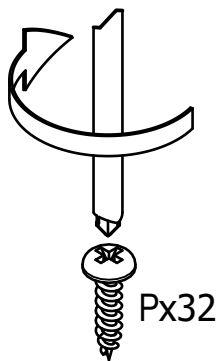
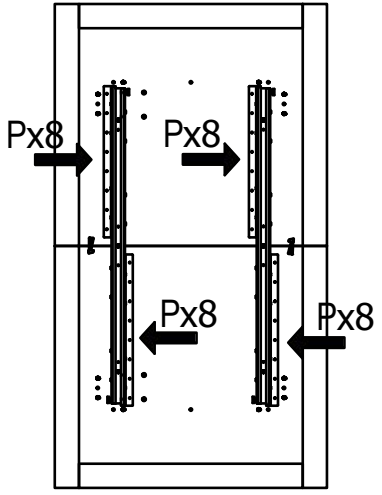
II.



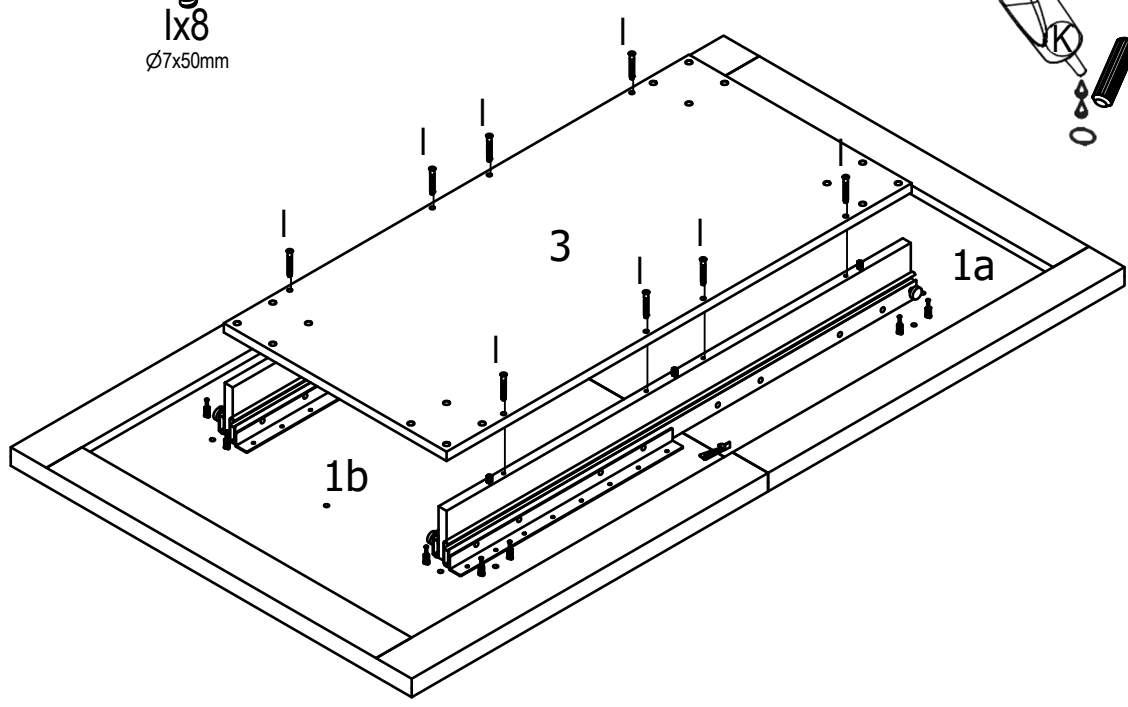
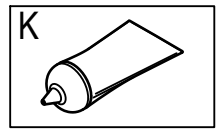
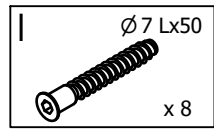
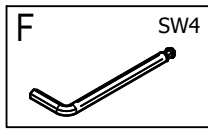
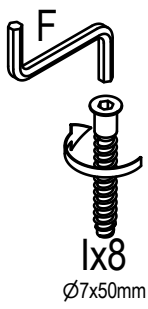
III.



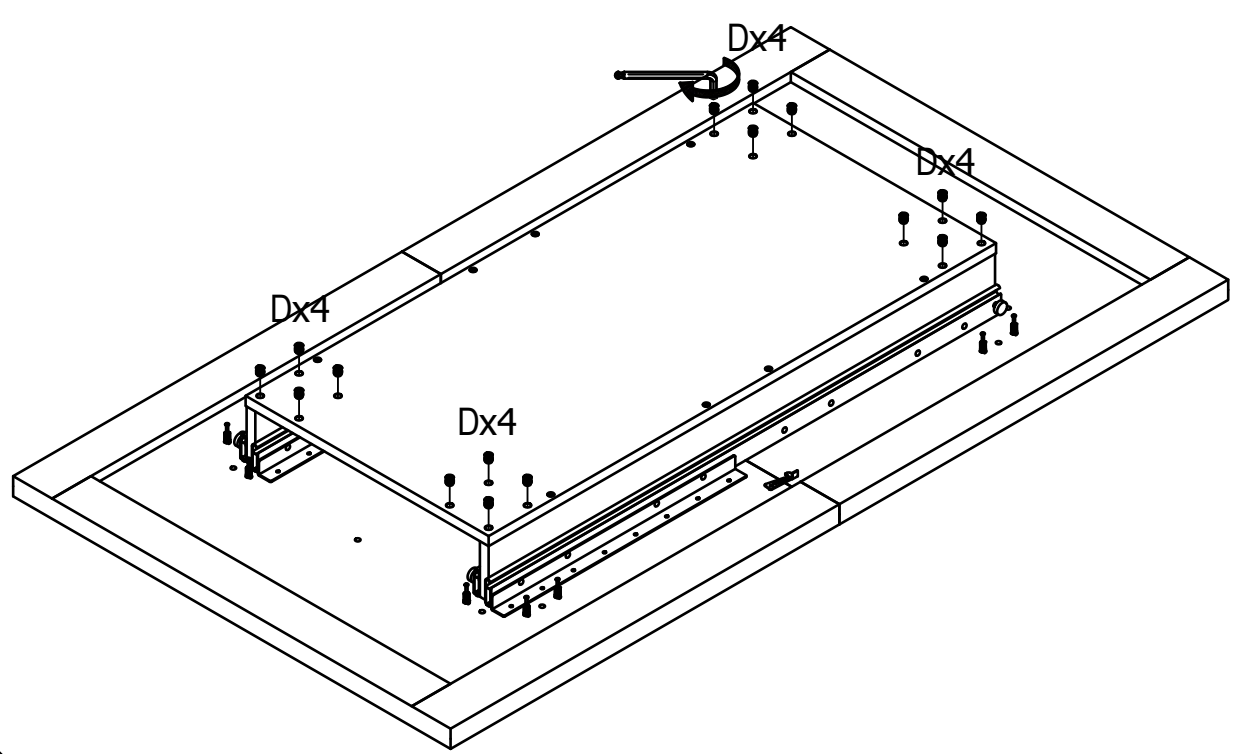
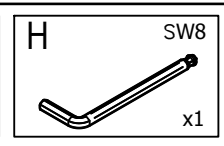
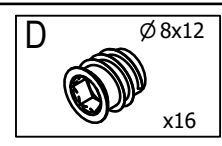
IV.



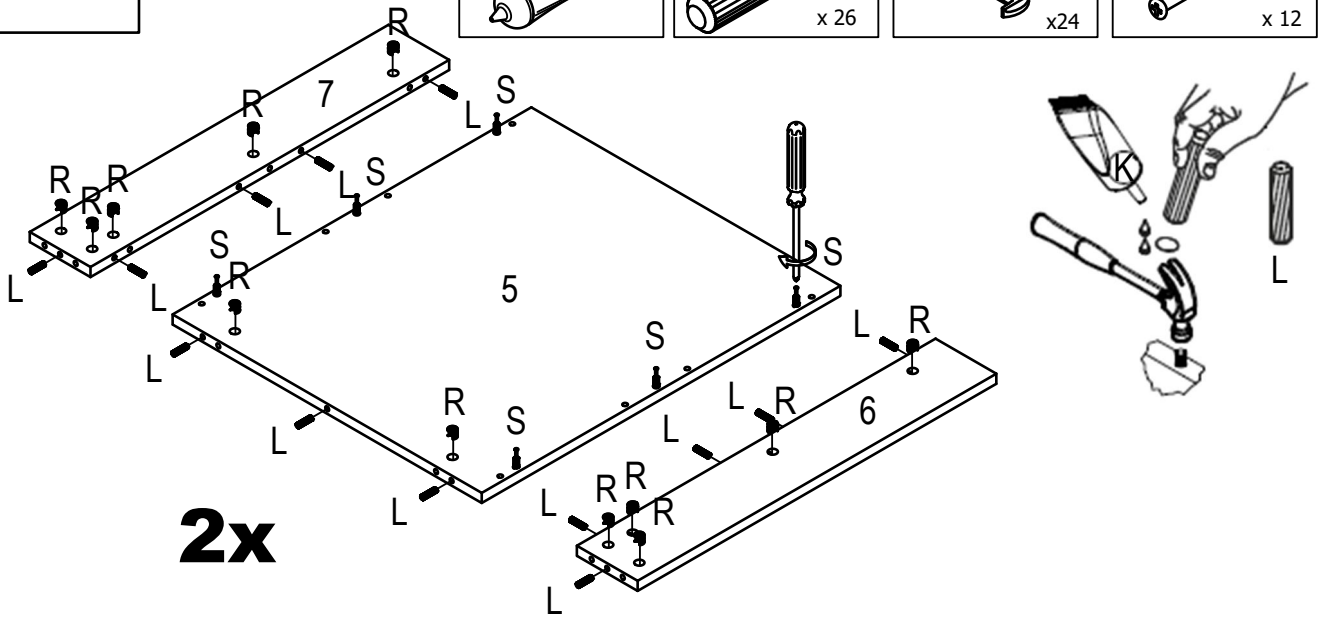
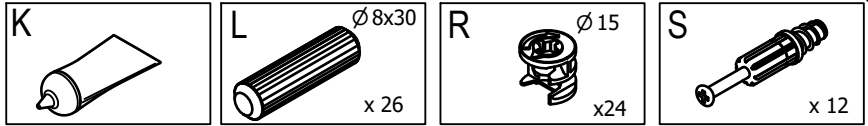
V.



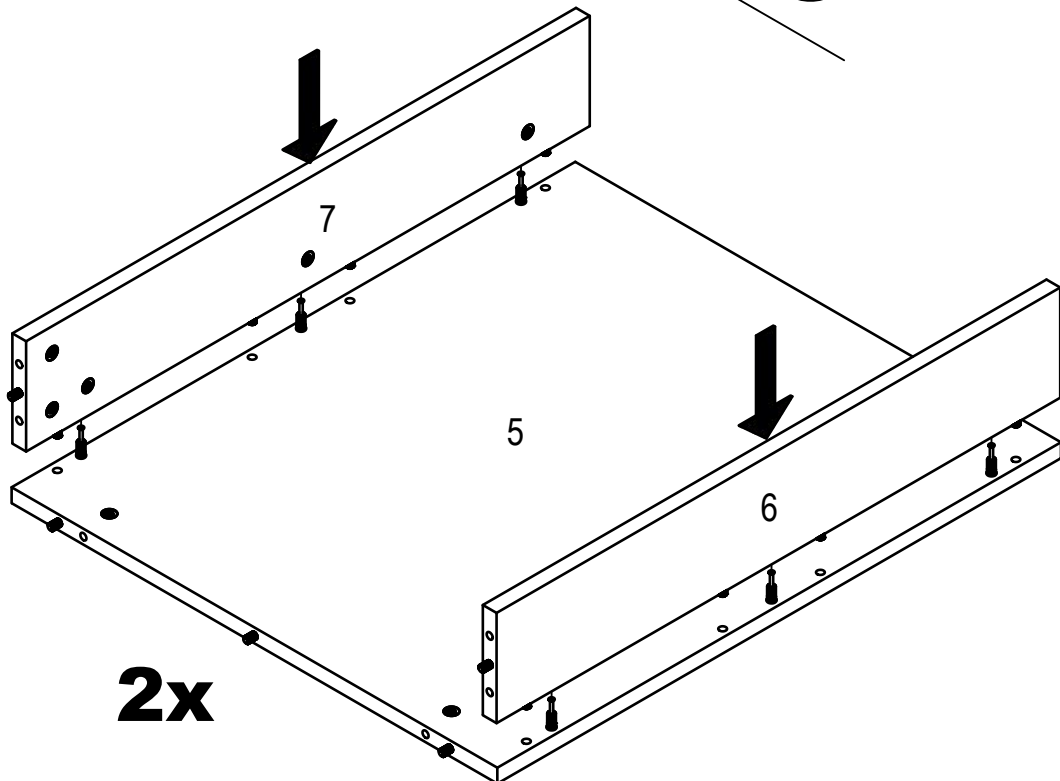
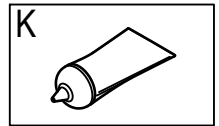
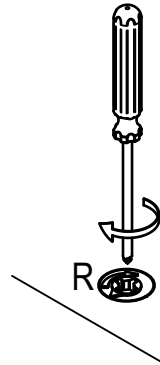
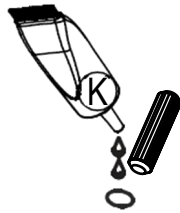
VI.



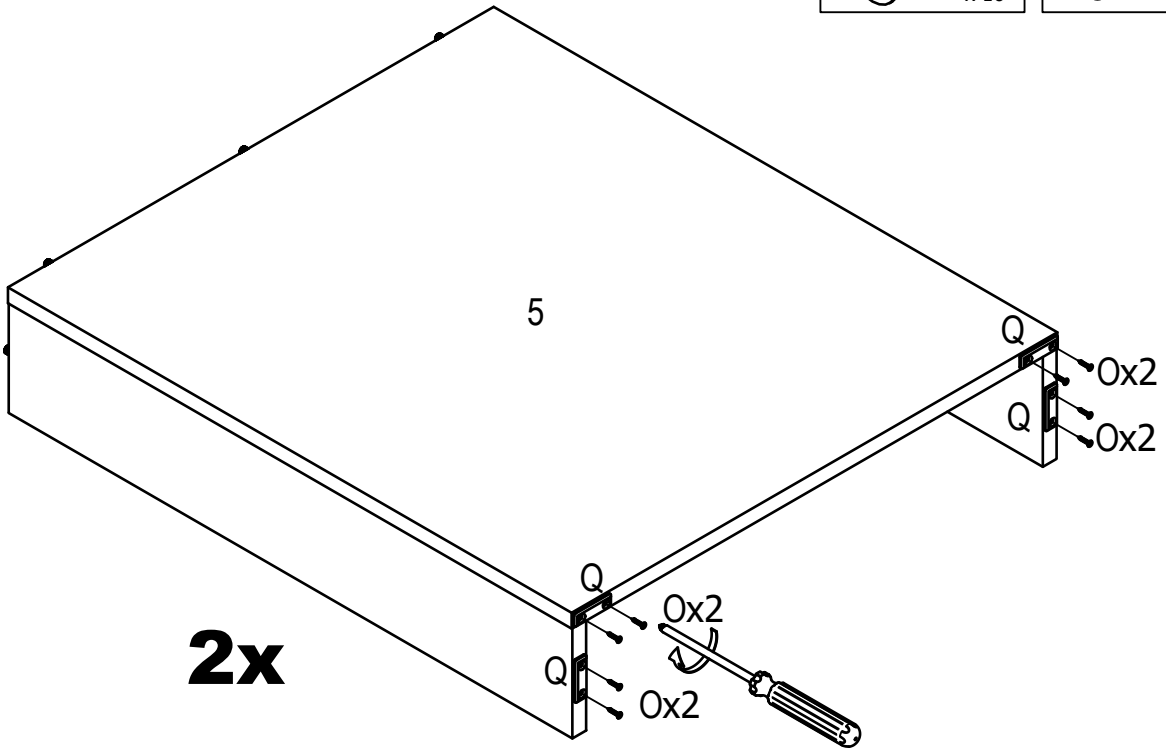
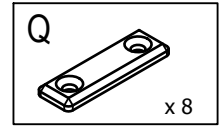
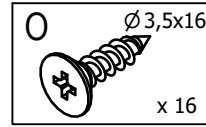
VII.



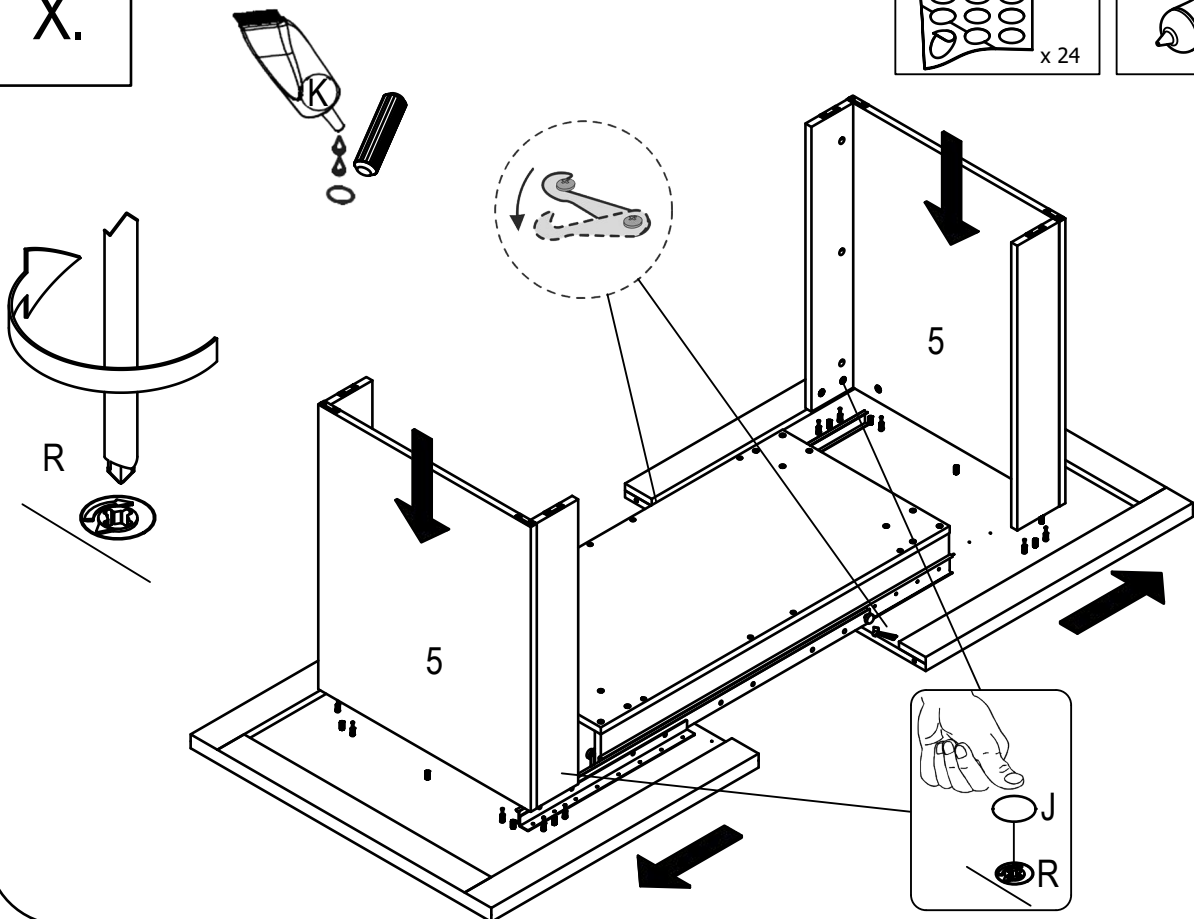
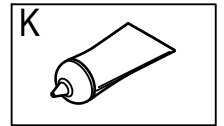
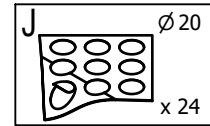
VIII.



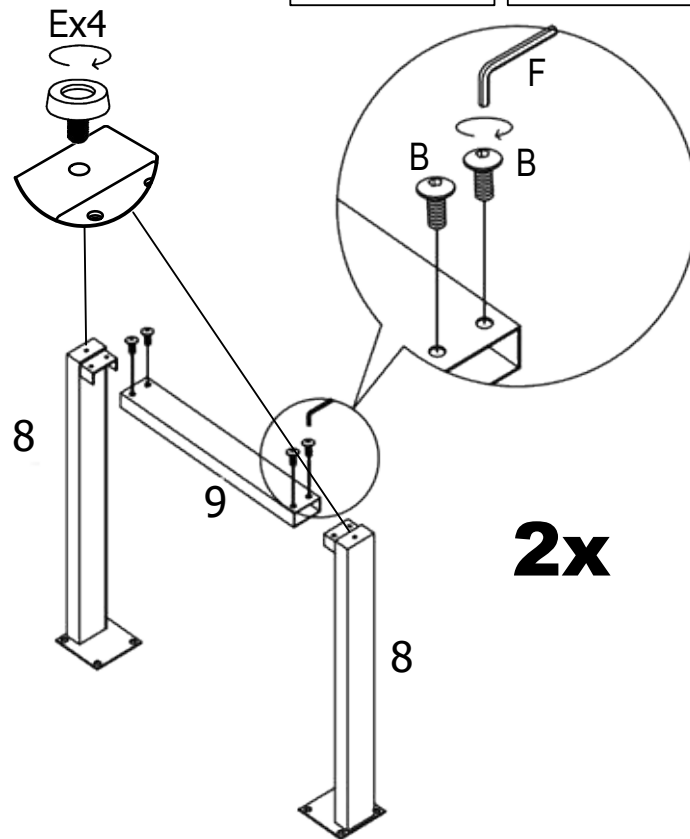
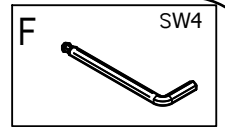
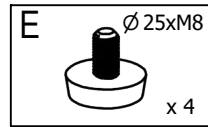
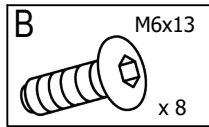
IX.



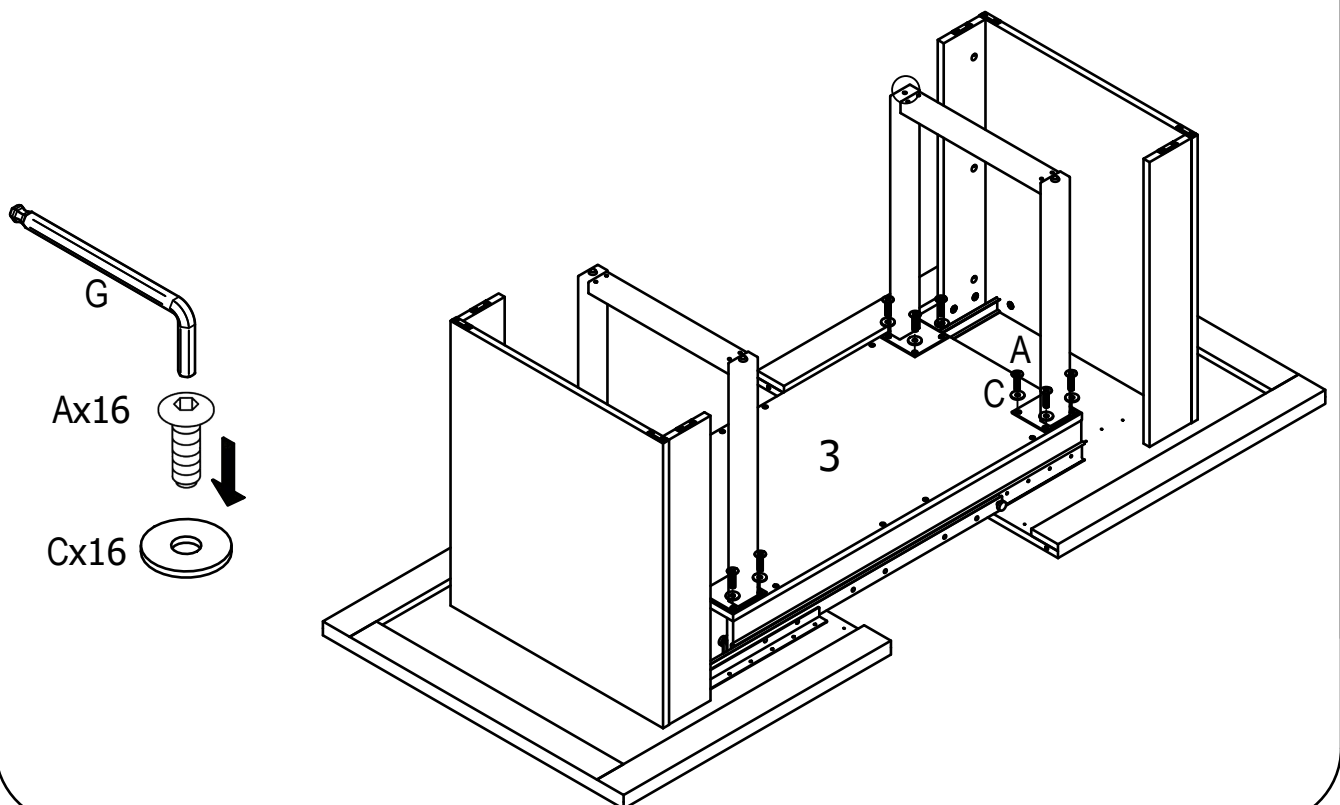
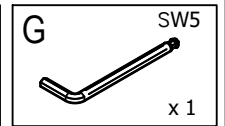
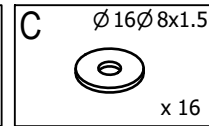
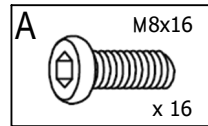
X.



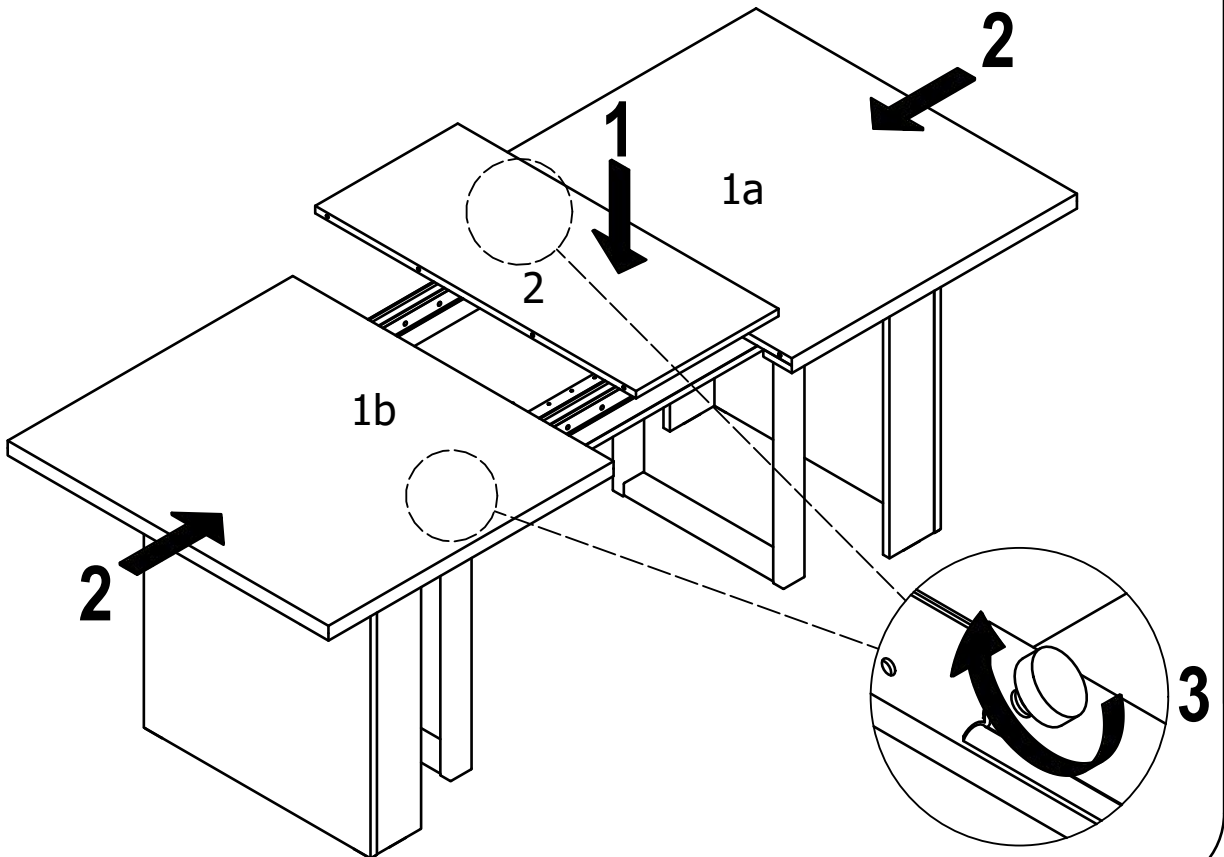
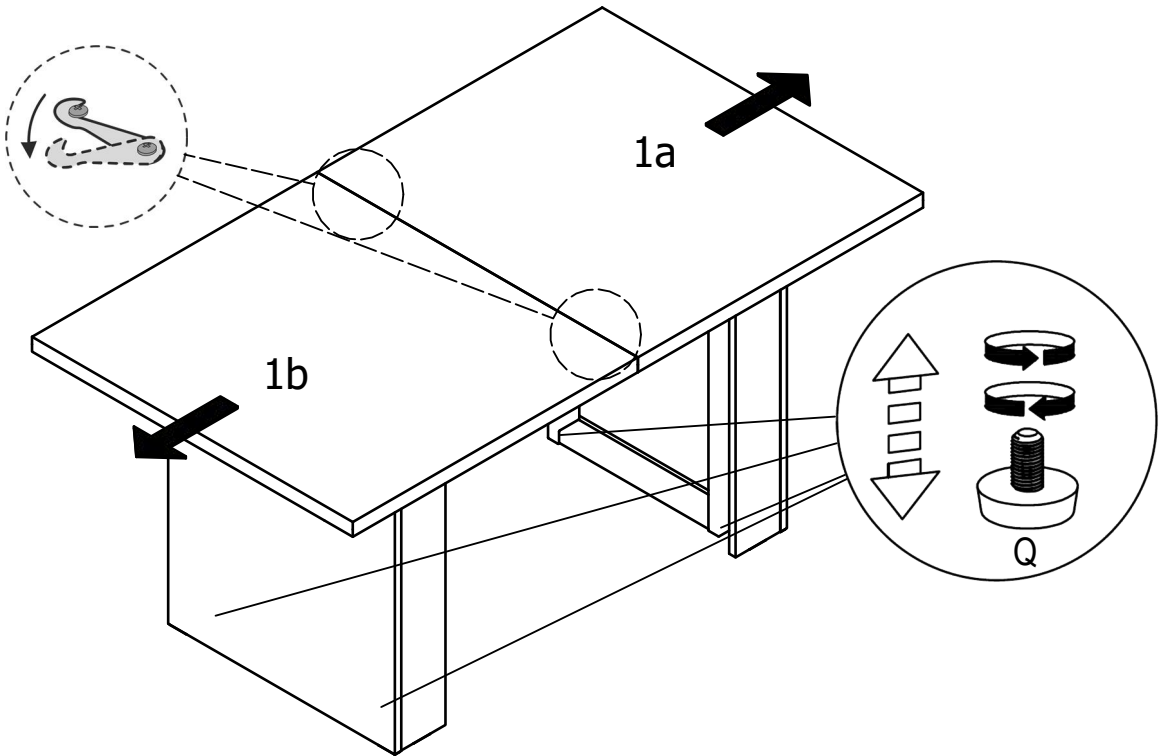
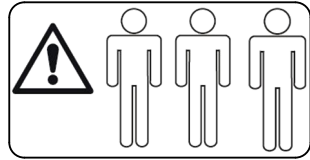
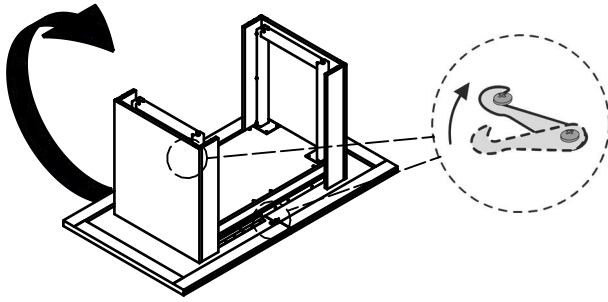
XI.



XII.



XIII.



XIV.

