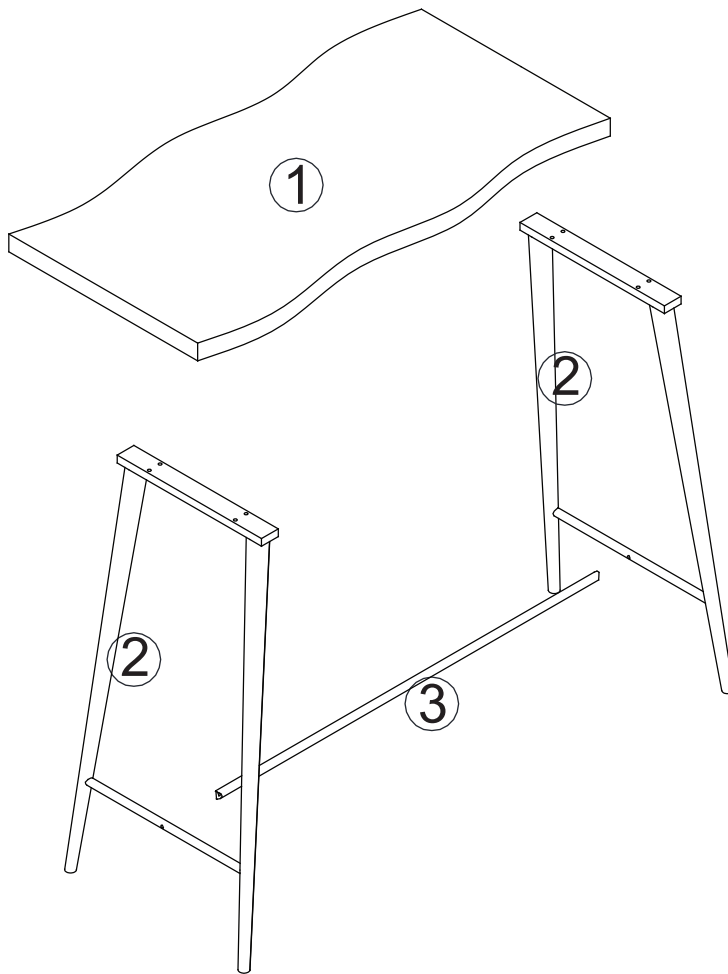
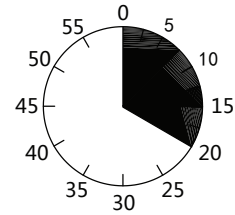
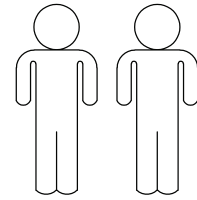
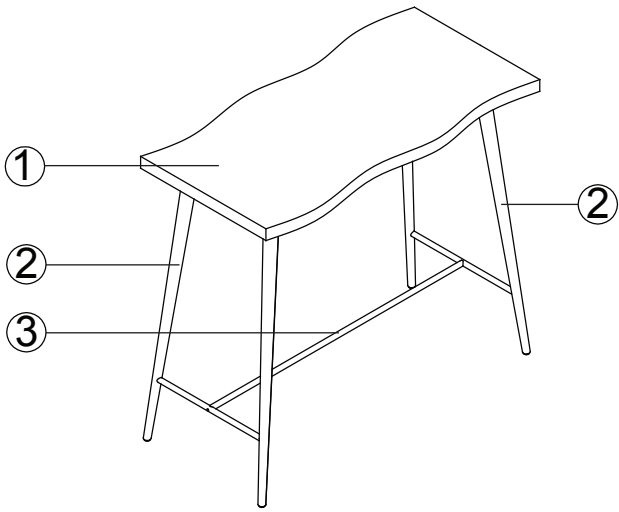


# Gabrys



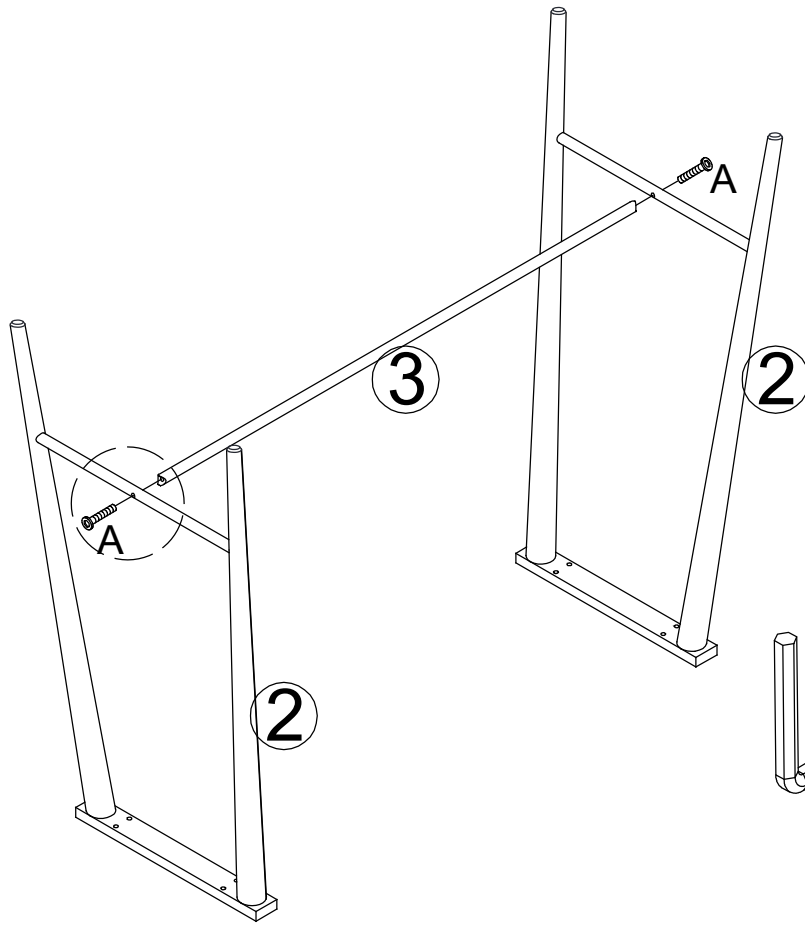
1	1x	1/2
2	2x	2/2
3	1x	2/2



2/2

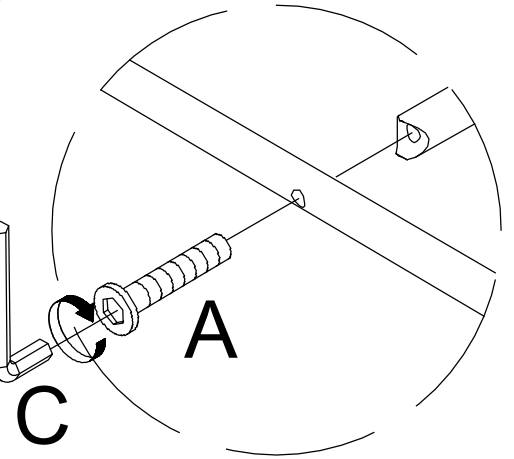
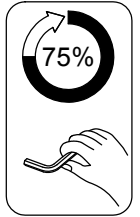
<b>A</b>	M6x35mm	<b>B</b>	ø16xø6.5x1	<b>C</b>	M4
	10x		8x		1x

I.

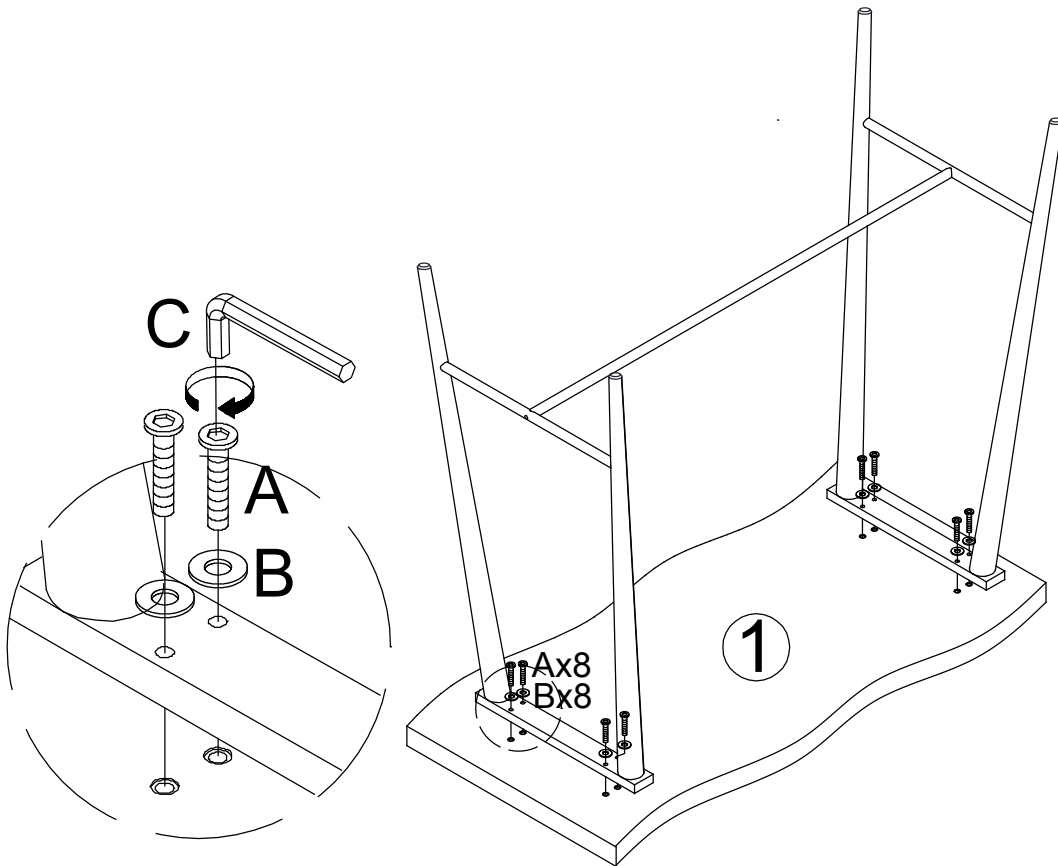
1



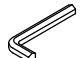


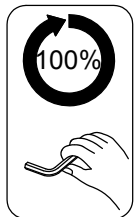
A	M6x35mm
	
	2x
C	M4
	
	1x



2



A	M6x35mm
	
	8x
B	ø16xø6.5x1
	
	8x
C	M4
	
	1x



II.

3.

