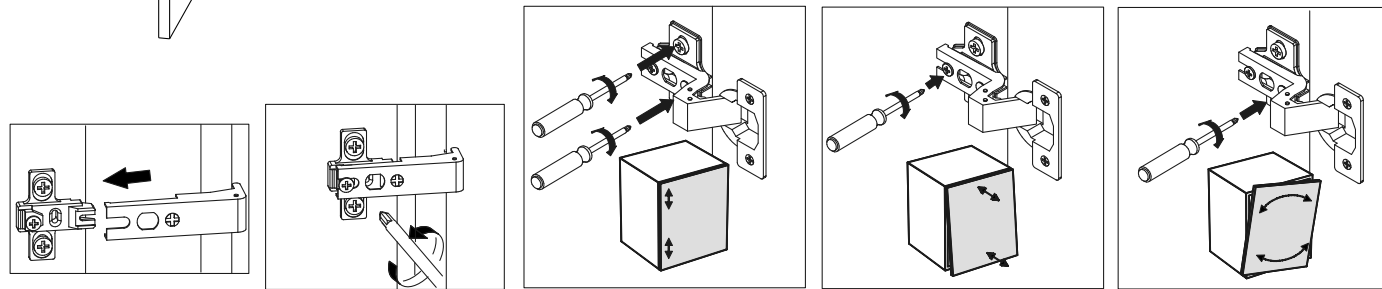
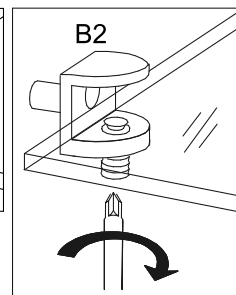
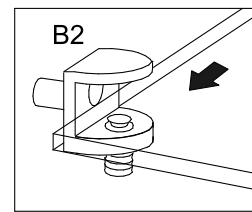
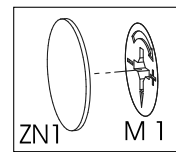
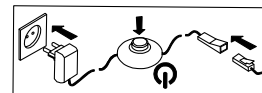
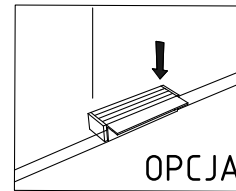
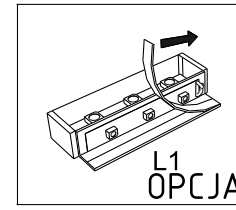
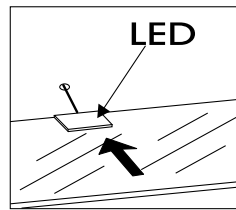
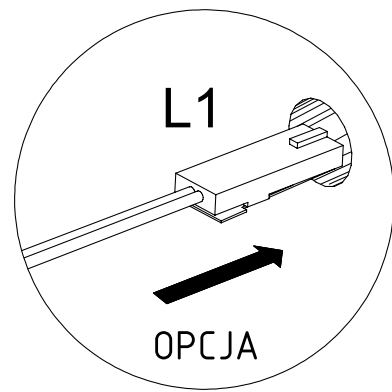
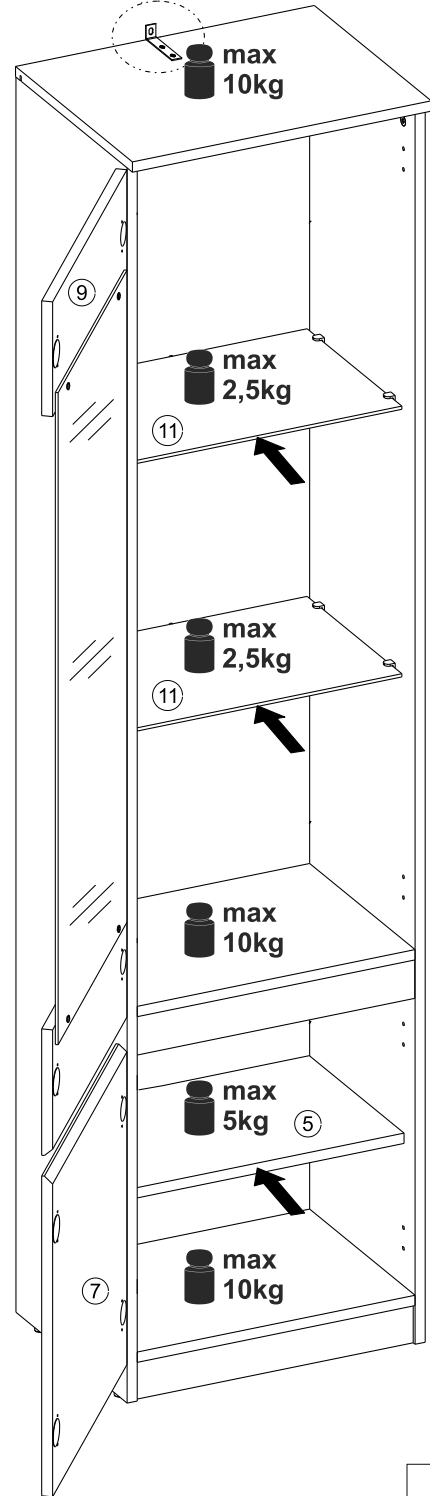
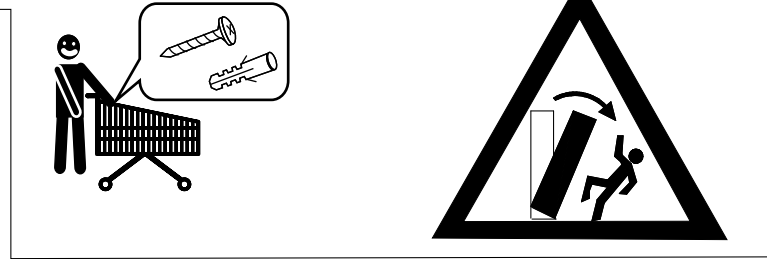
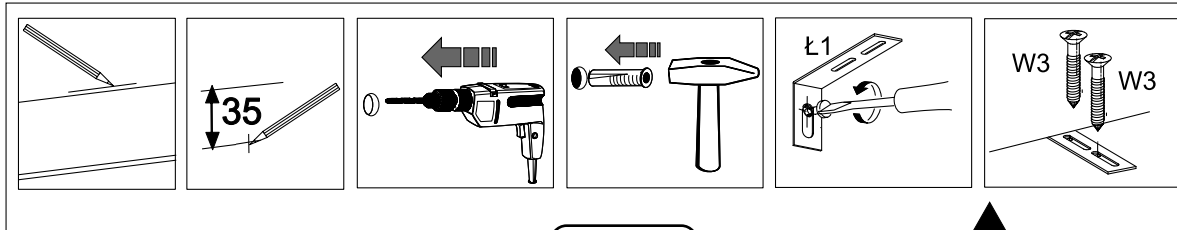
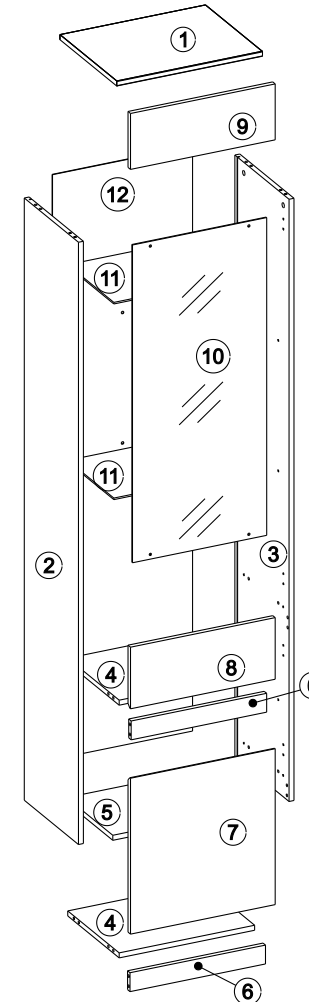
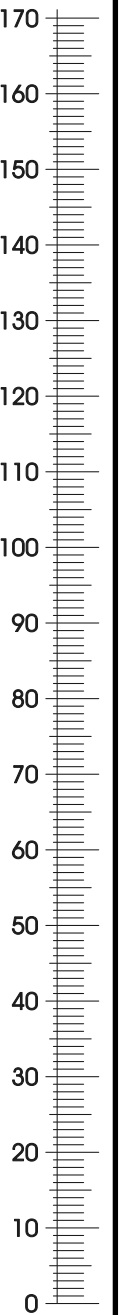
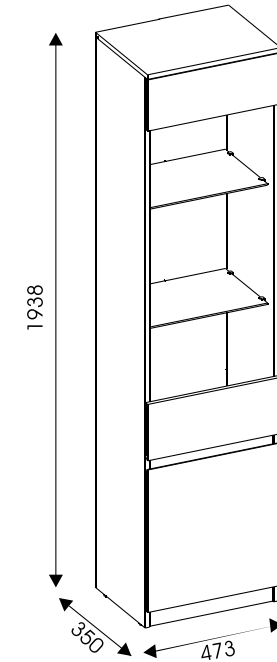
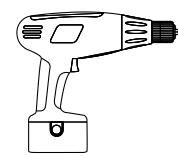
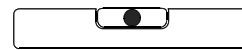
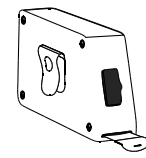
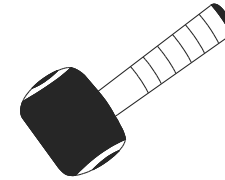
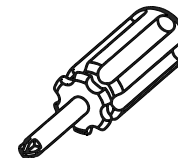
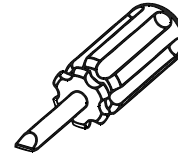
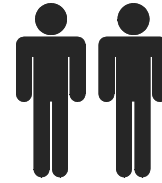
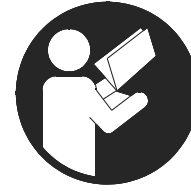


# 11 ▶

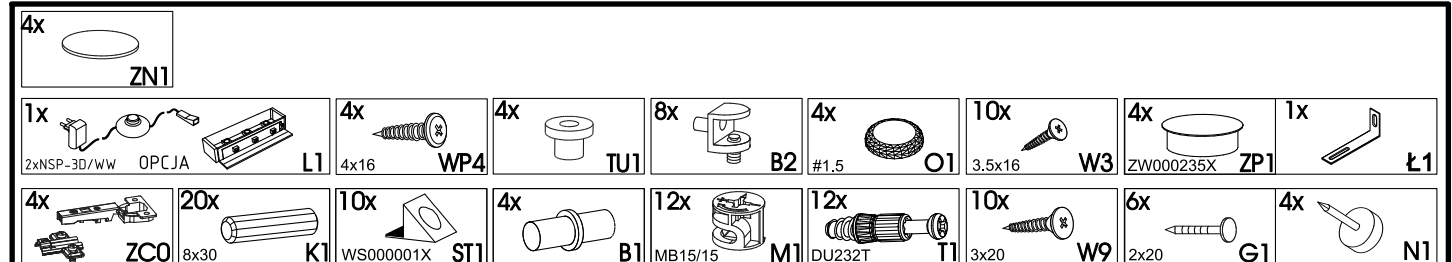


10/10

# MODELL: RM07

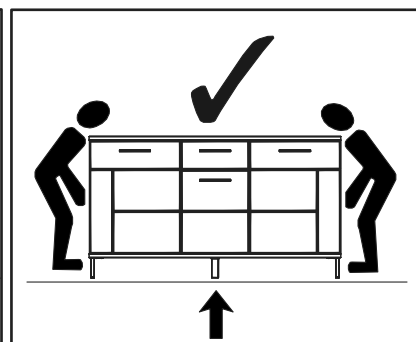
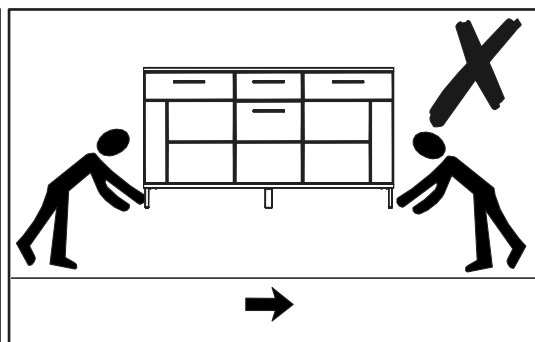
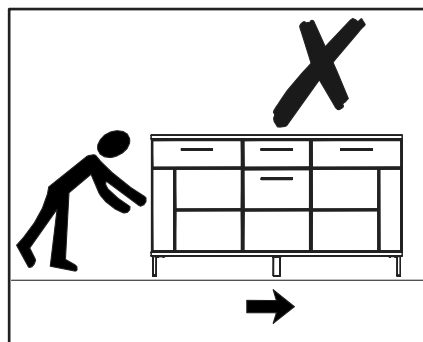
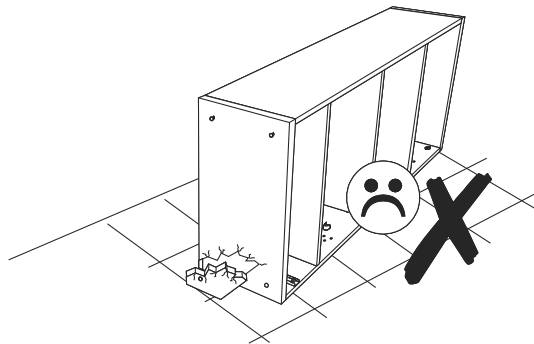
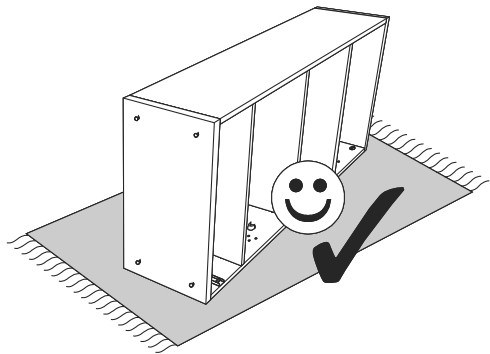
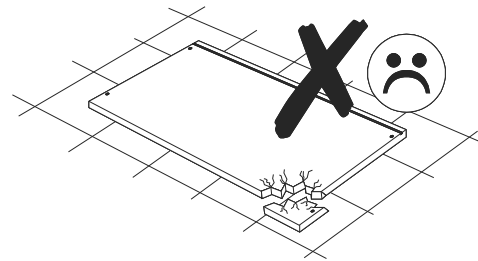
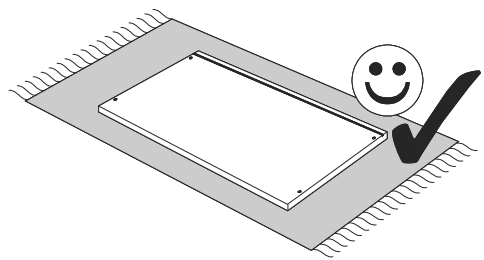
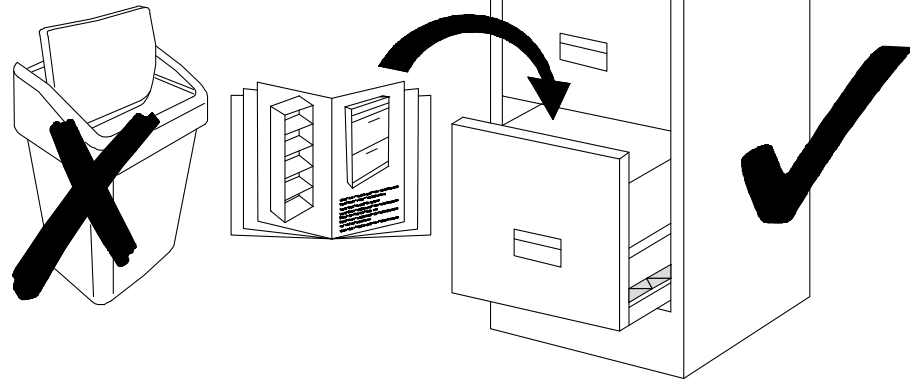


12	1861x455	2/2
11	432x300	1/2
10	1011x436	2/2
9	470x178	1/2
8	470x196	1/2
7	496x470	1/2
6	440x60	2/2
5	439x300	1/2
4	440x334	1/2
3	1916x352	2/2
2	1916x352	2/2
1	473x370	1/2

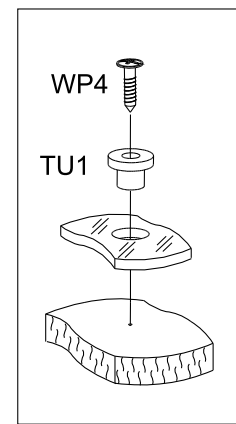
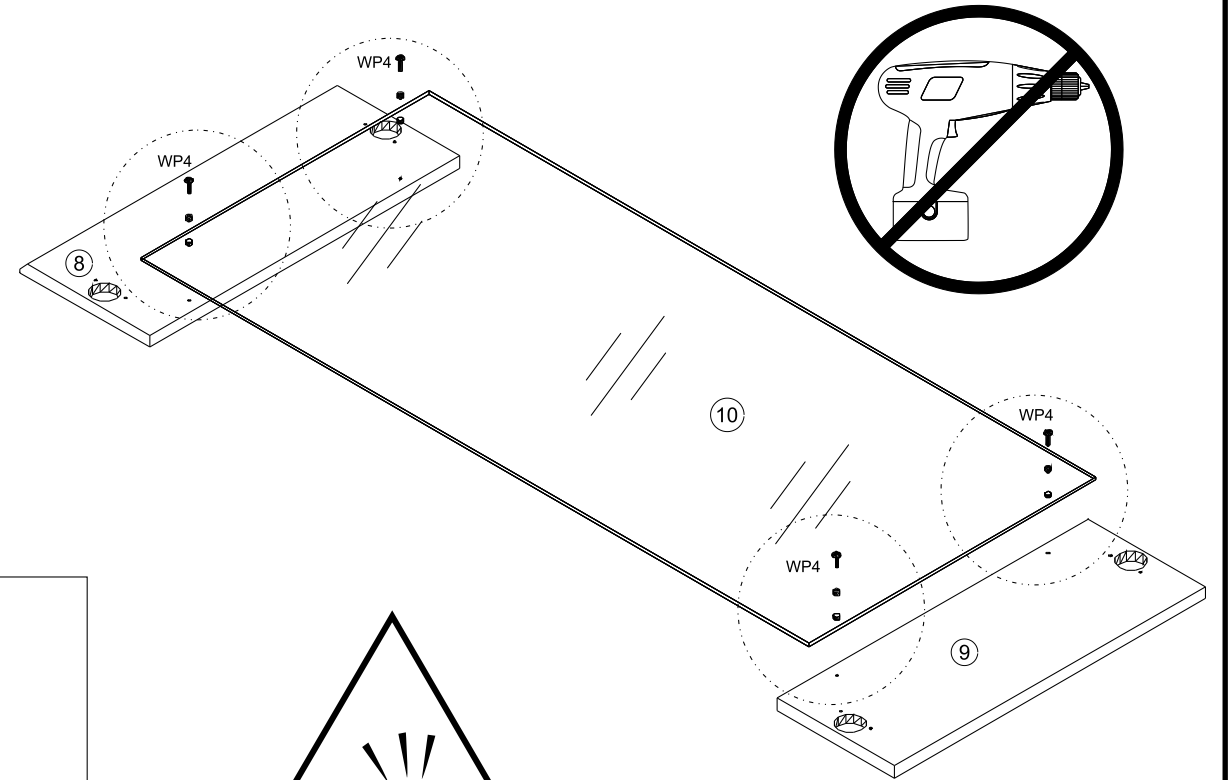


REMI

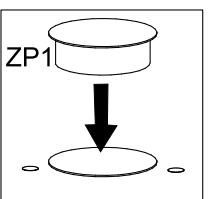
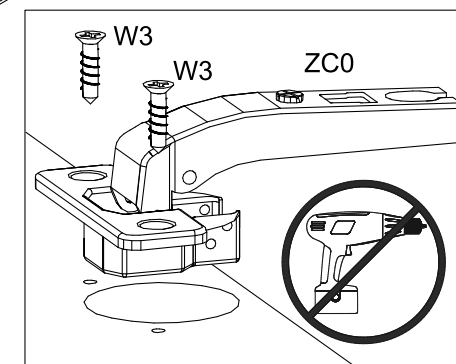
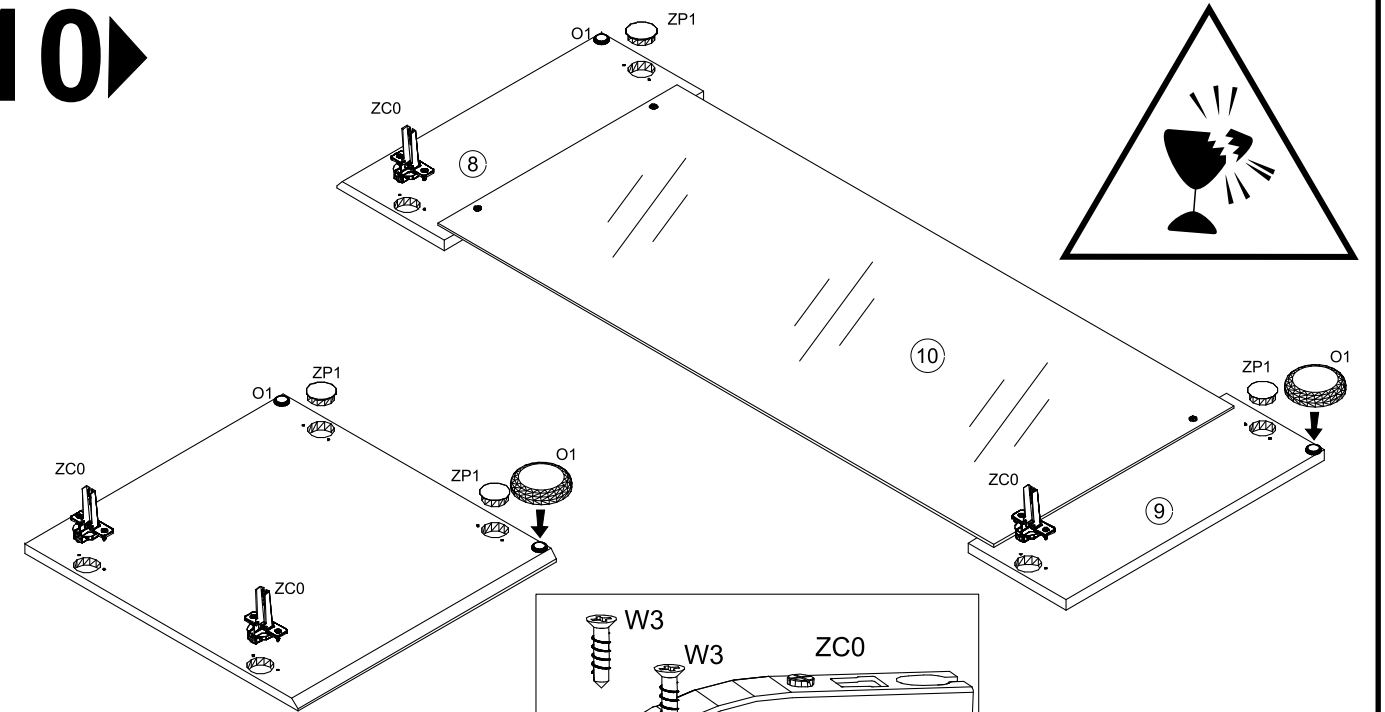
1/10



9▶

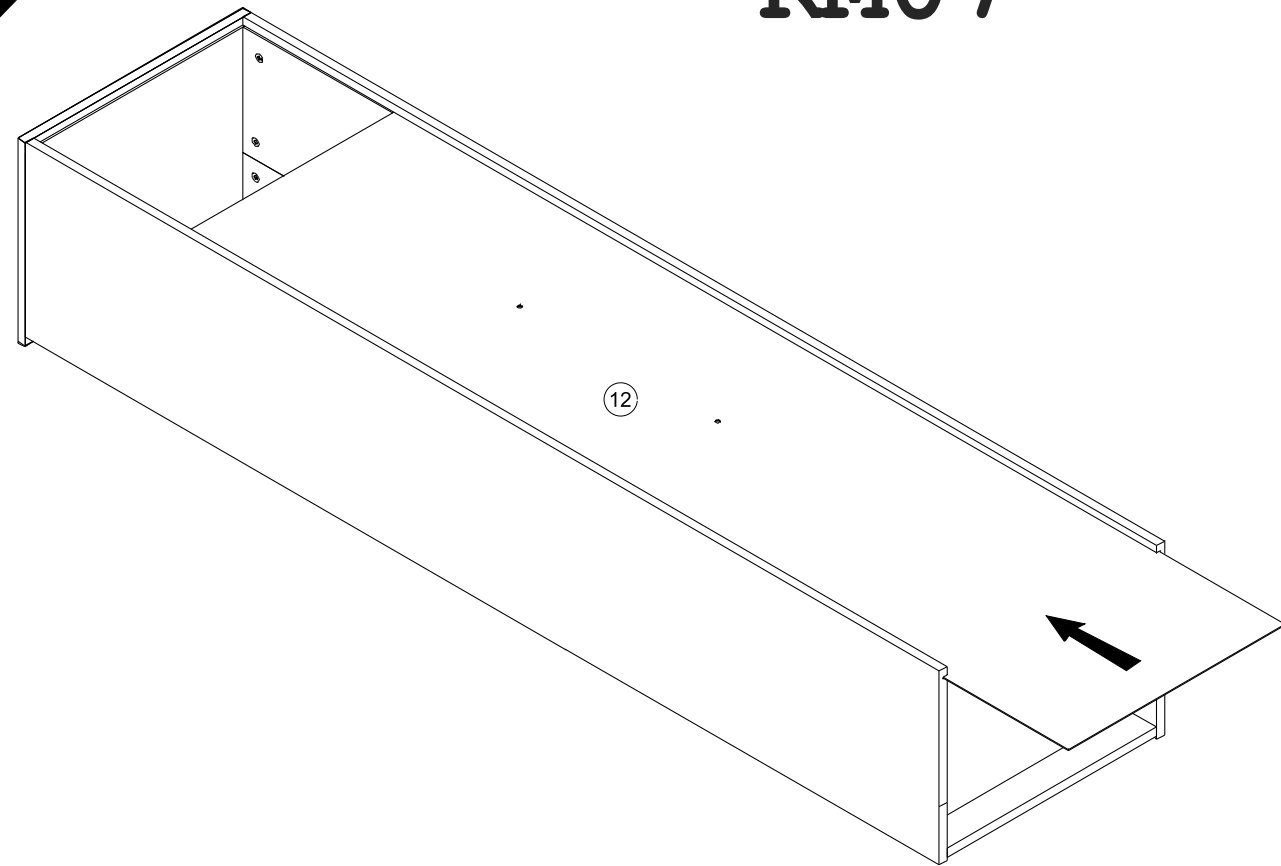


10▶

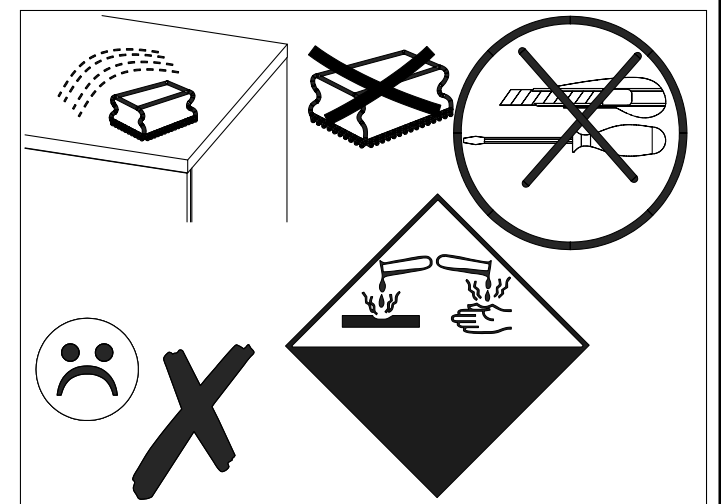
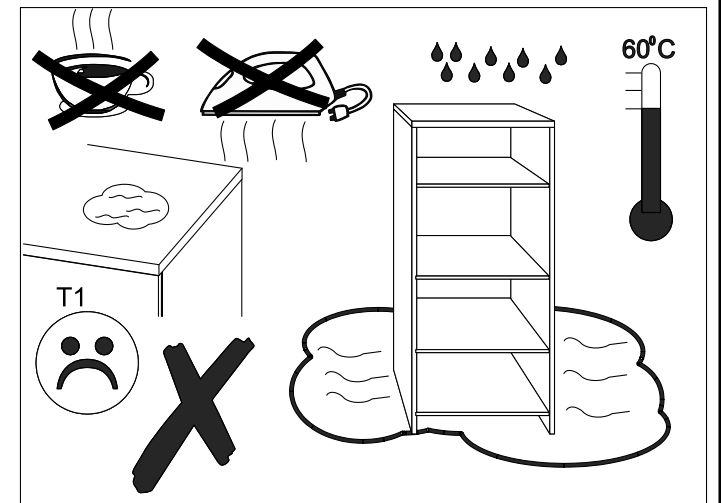
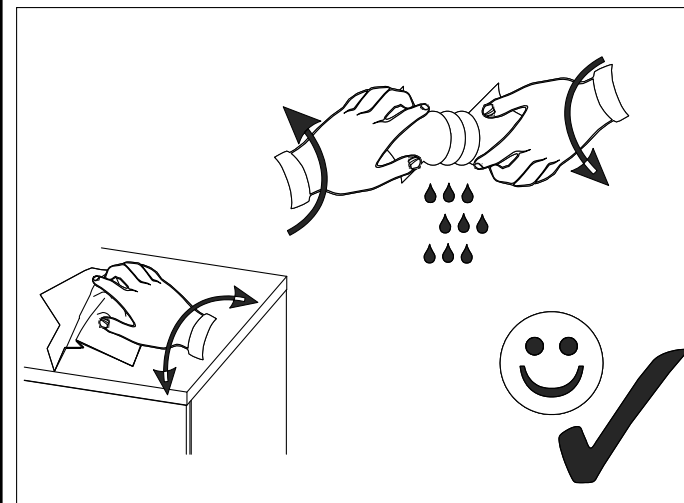
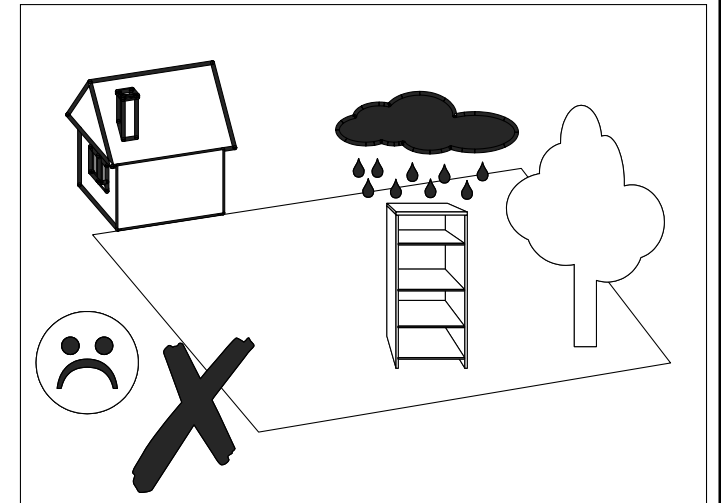
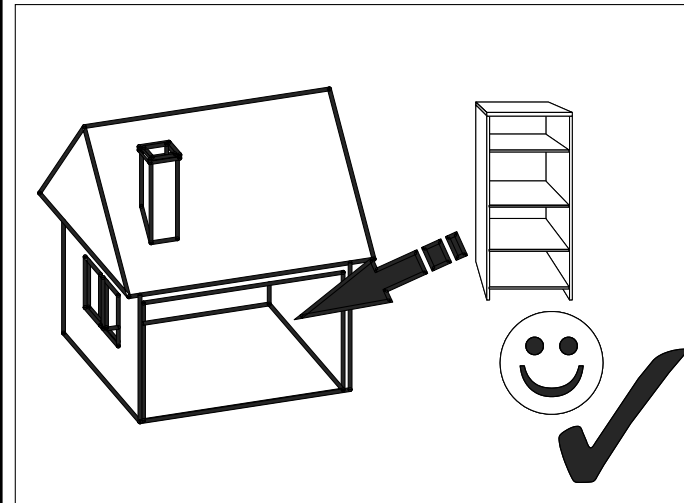
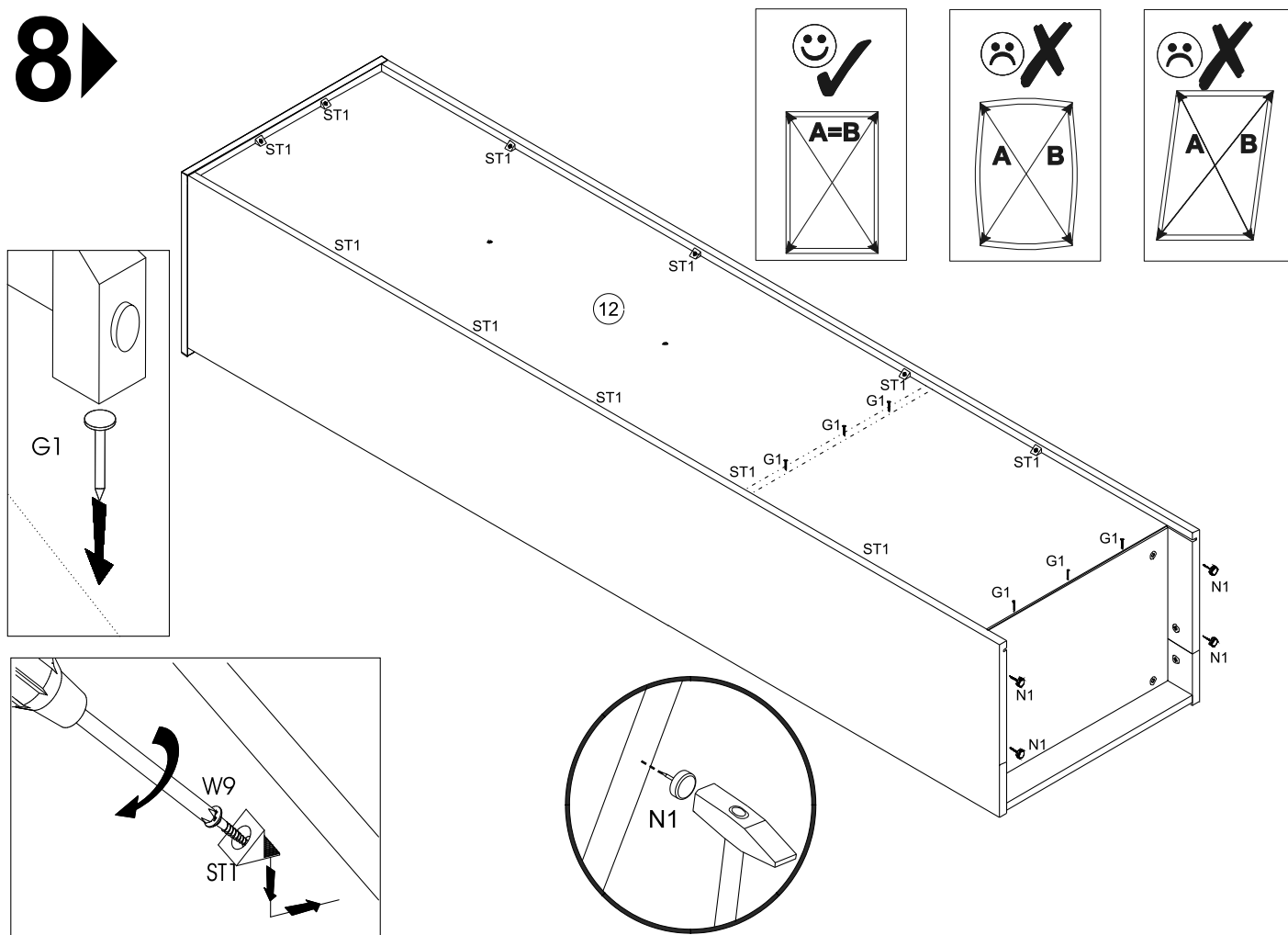


7

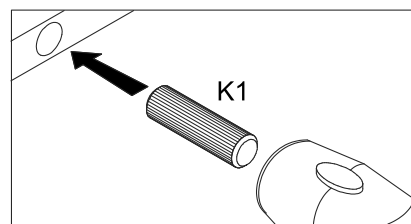
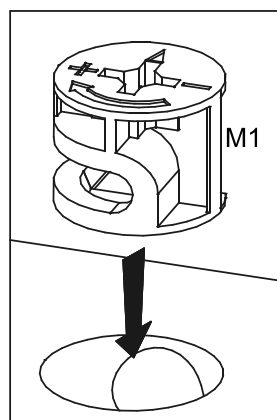
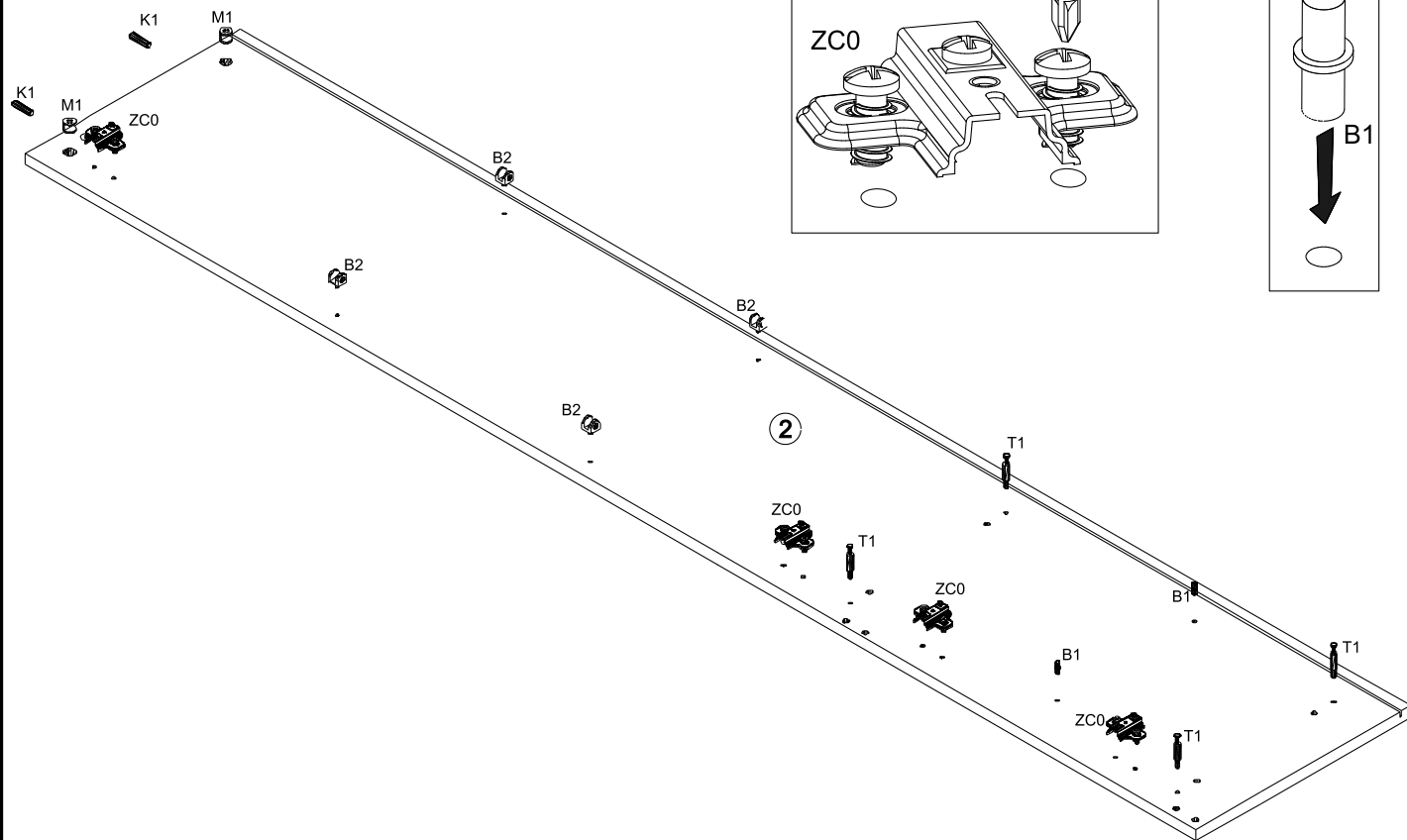
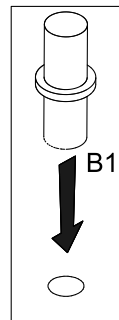
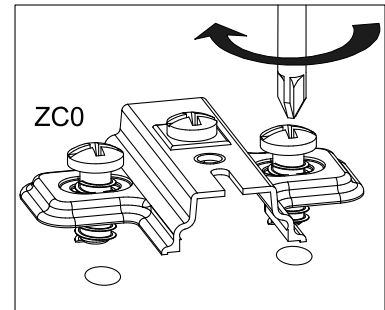
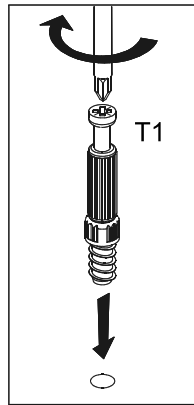
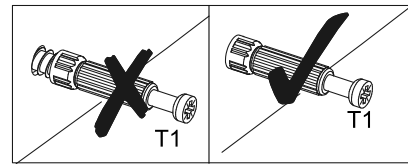
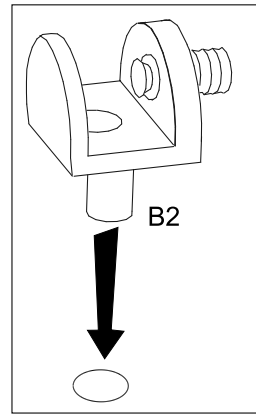
RM07



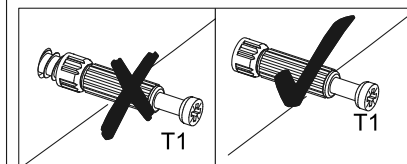
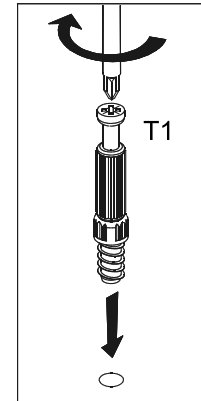
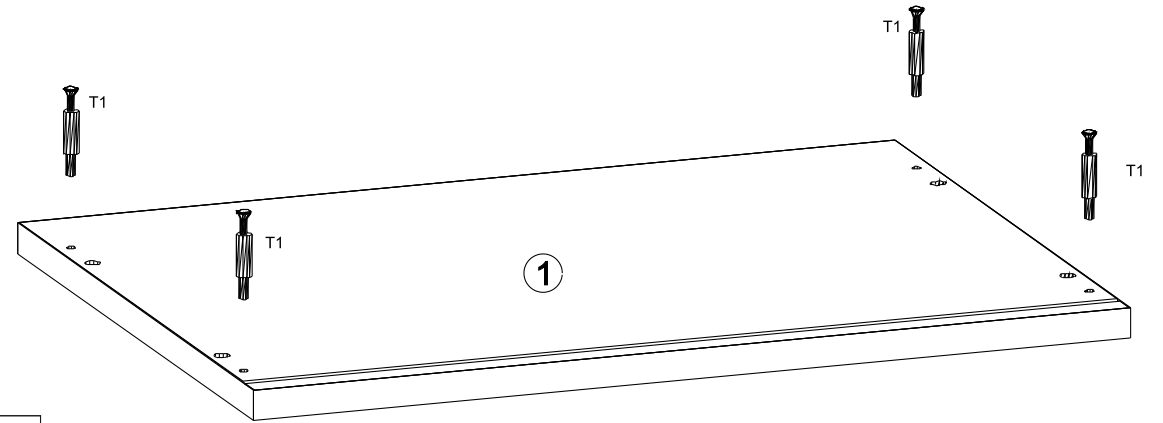
8



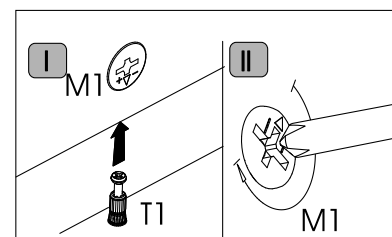
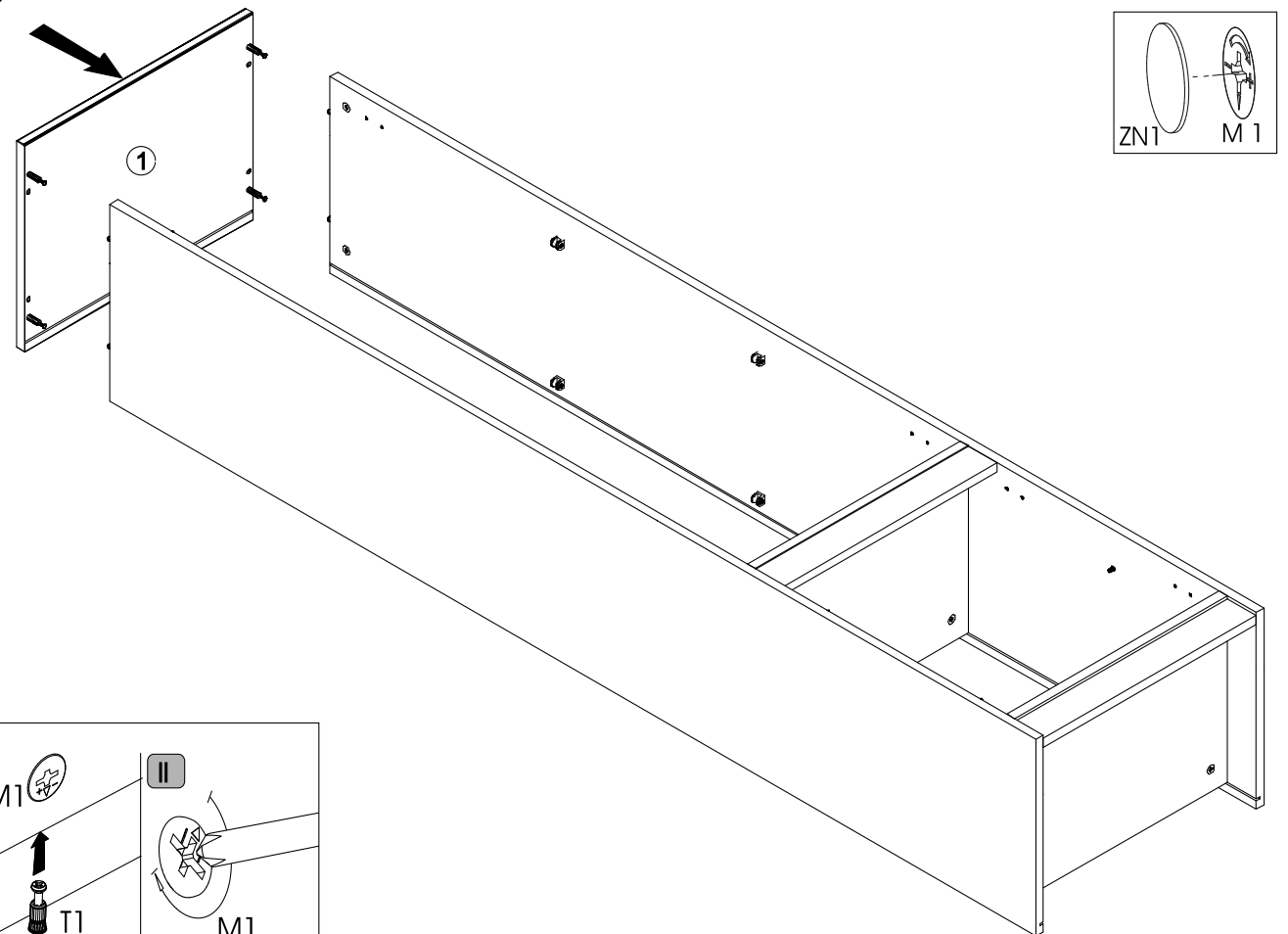
1



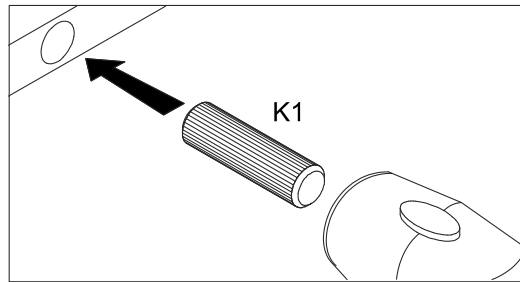
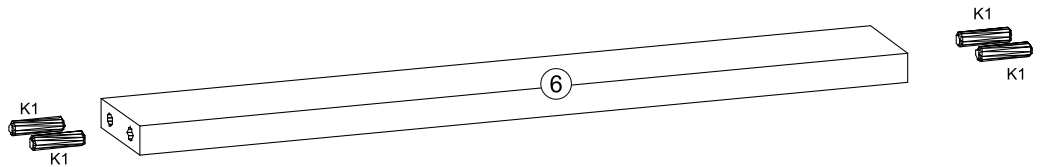
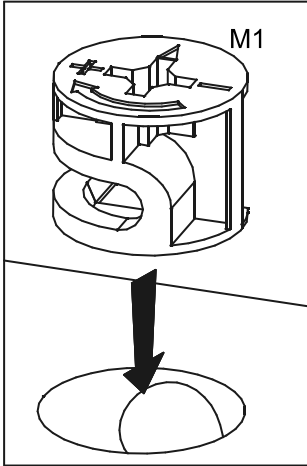
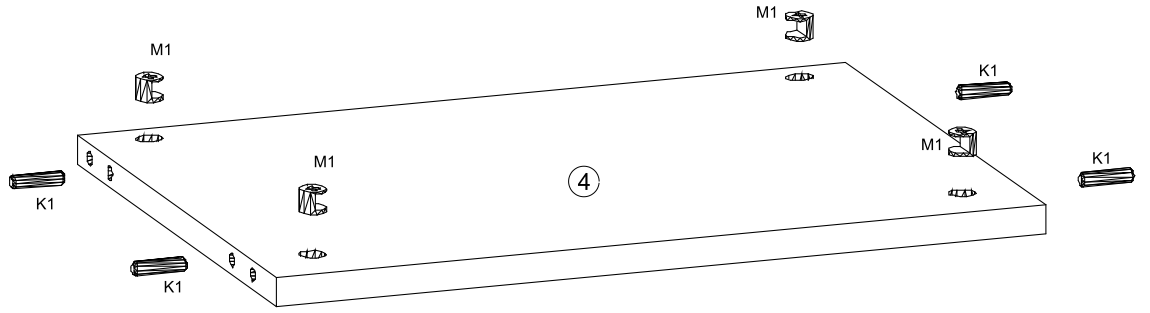
5



6

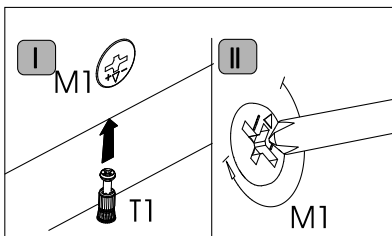
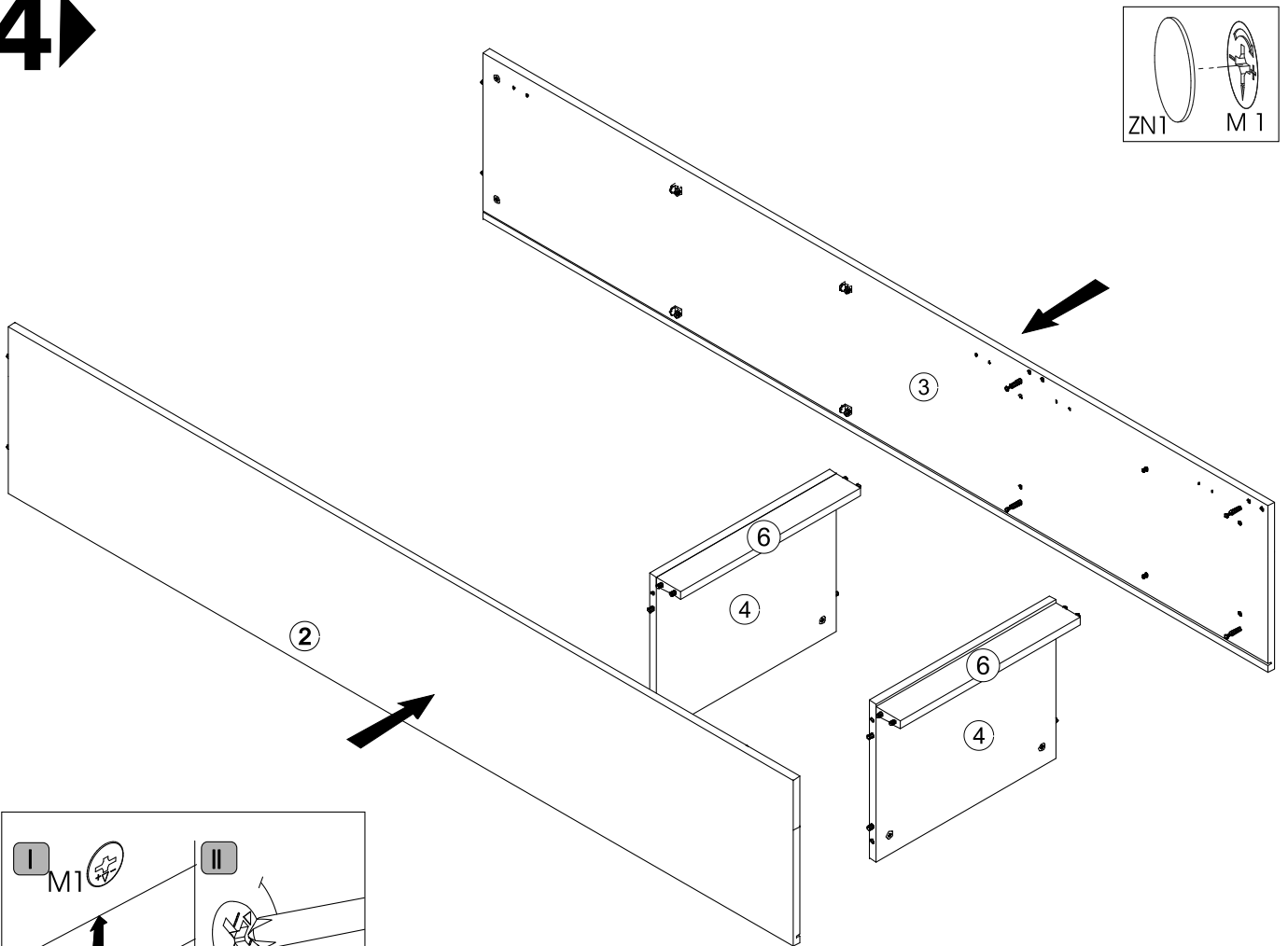


3▶



x2

4▶



2

# RM07

