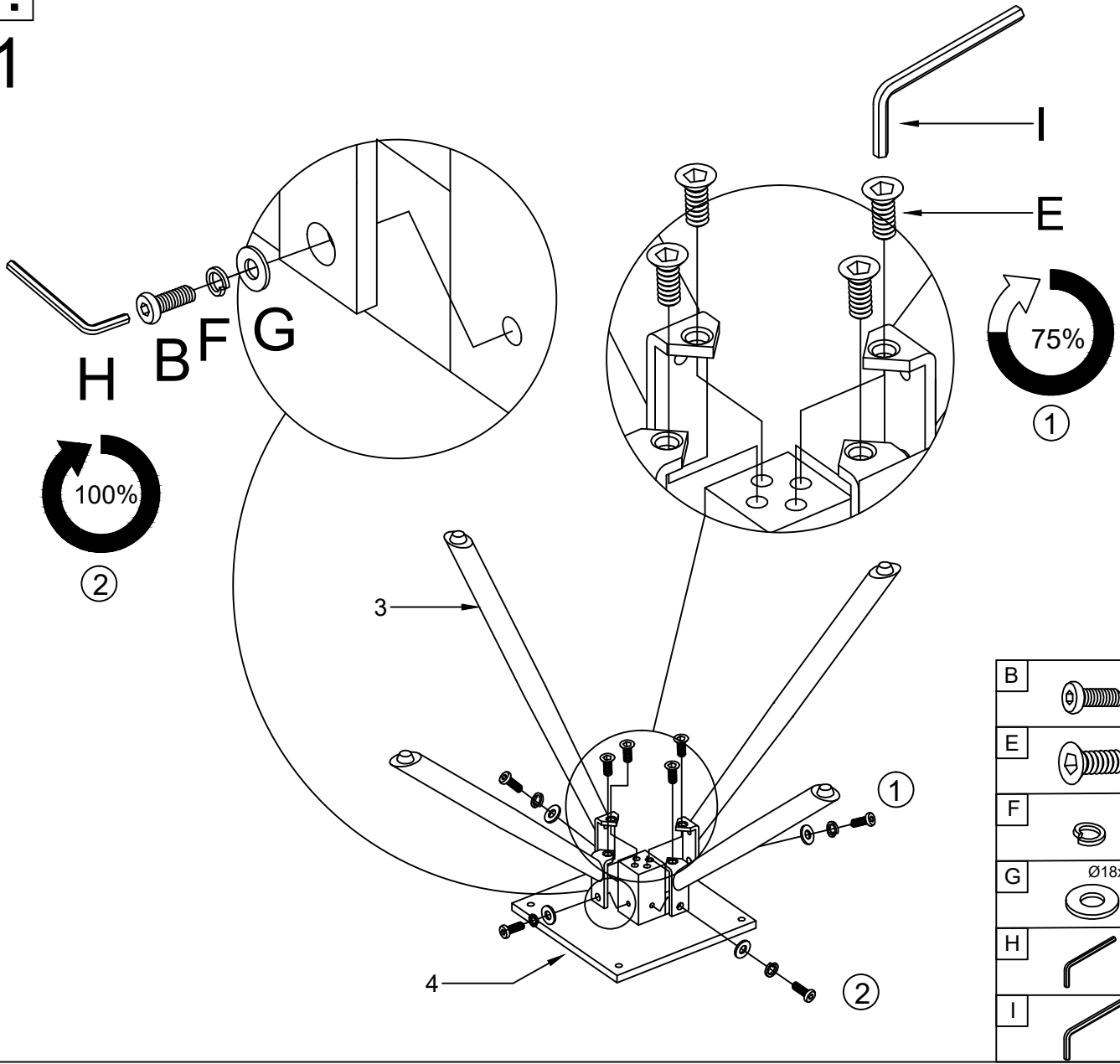
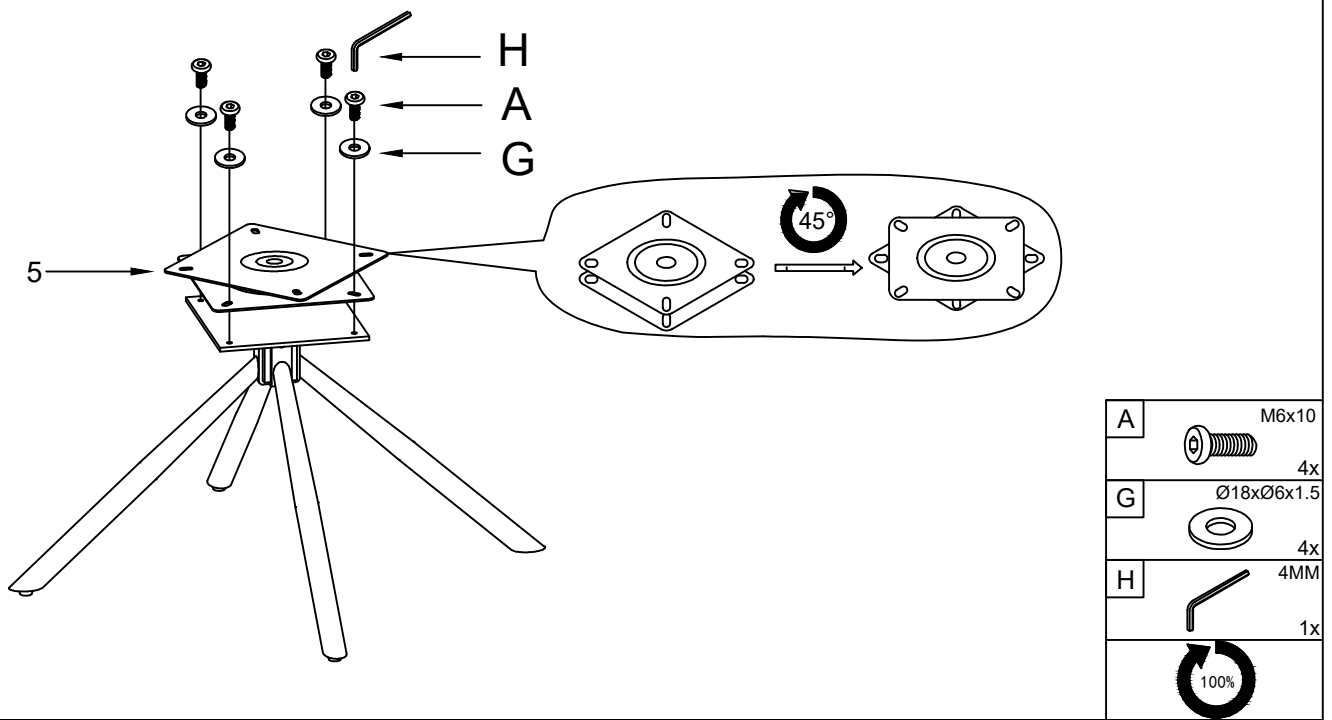


I.

1

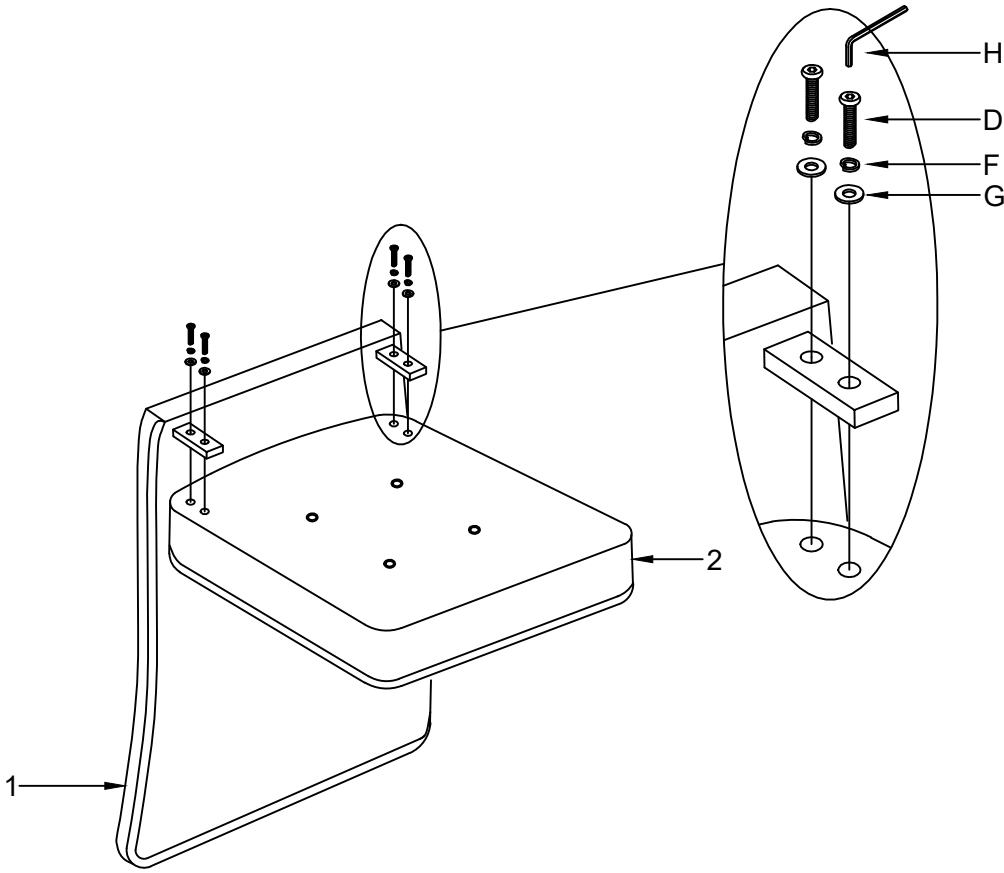


2



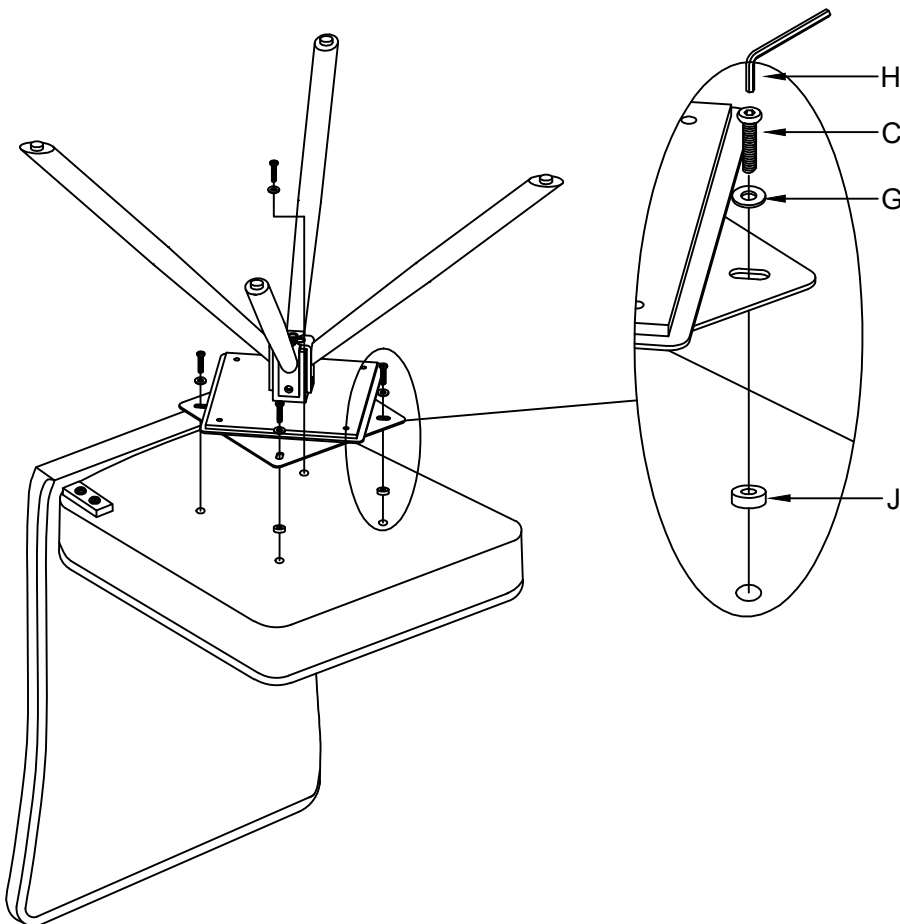
I.

3



D	M6x50
	4x
F	M6
	4x
G	Ø18xØ6x1.5
	4x
H	4MM
	1x




4



C	M6x35
	4x
G	Ø18xØ6x1.5
	4x
H	4MM
	1x
J	Ø17xØ6.5x4
	2x

III.

5

H		4MM
		1x
I		5MM
		1x
		100%
		1x

