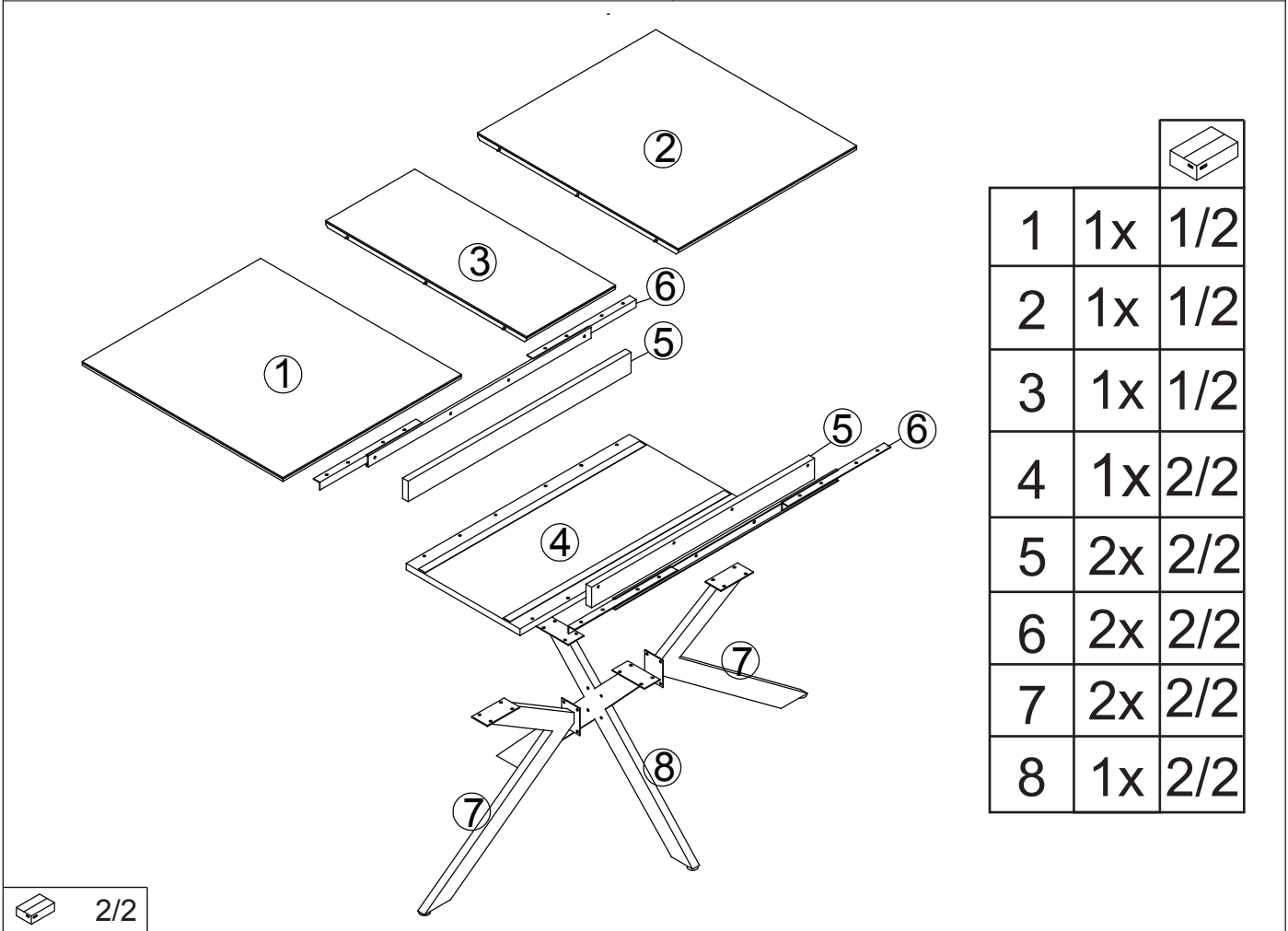
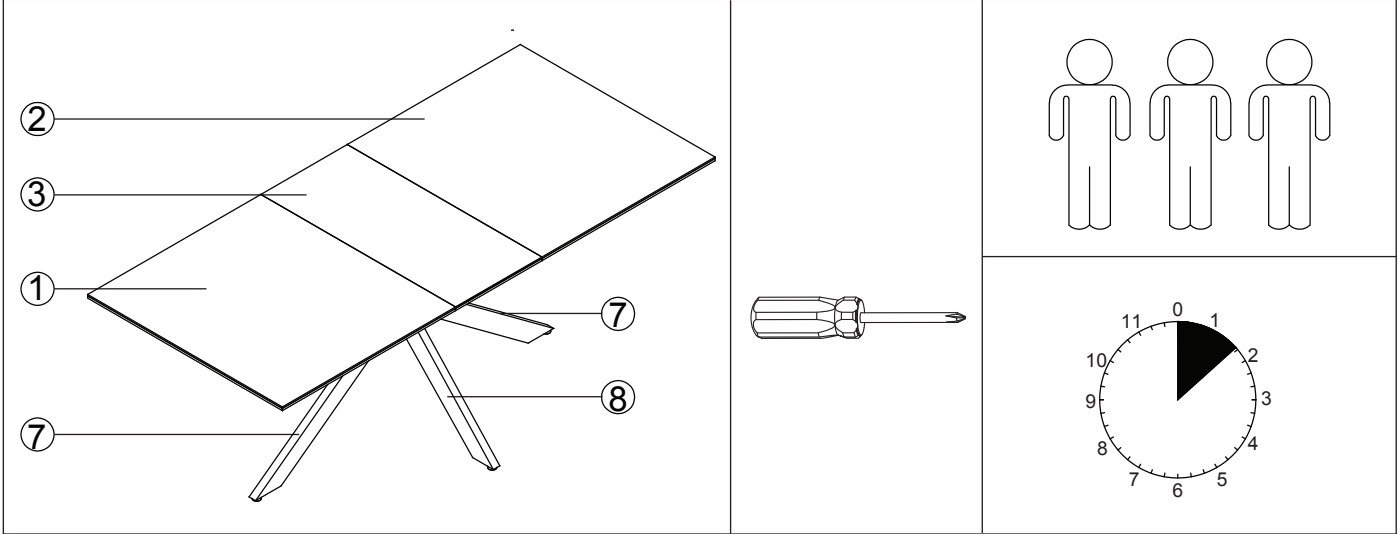
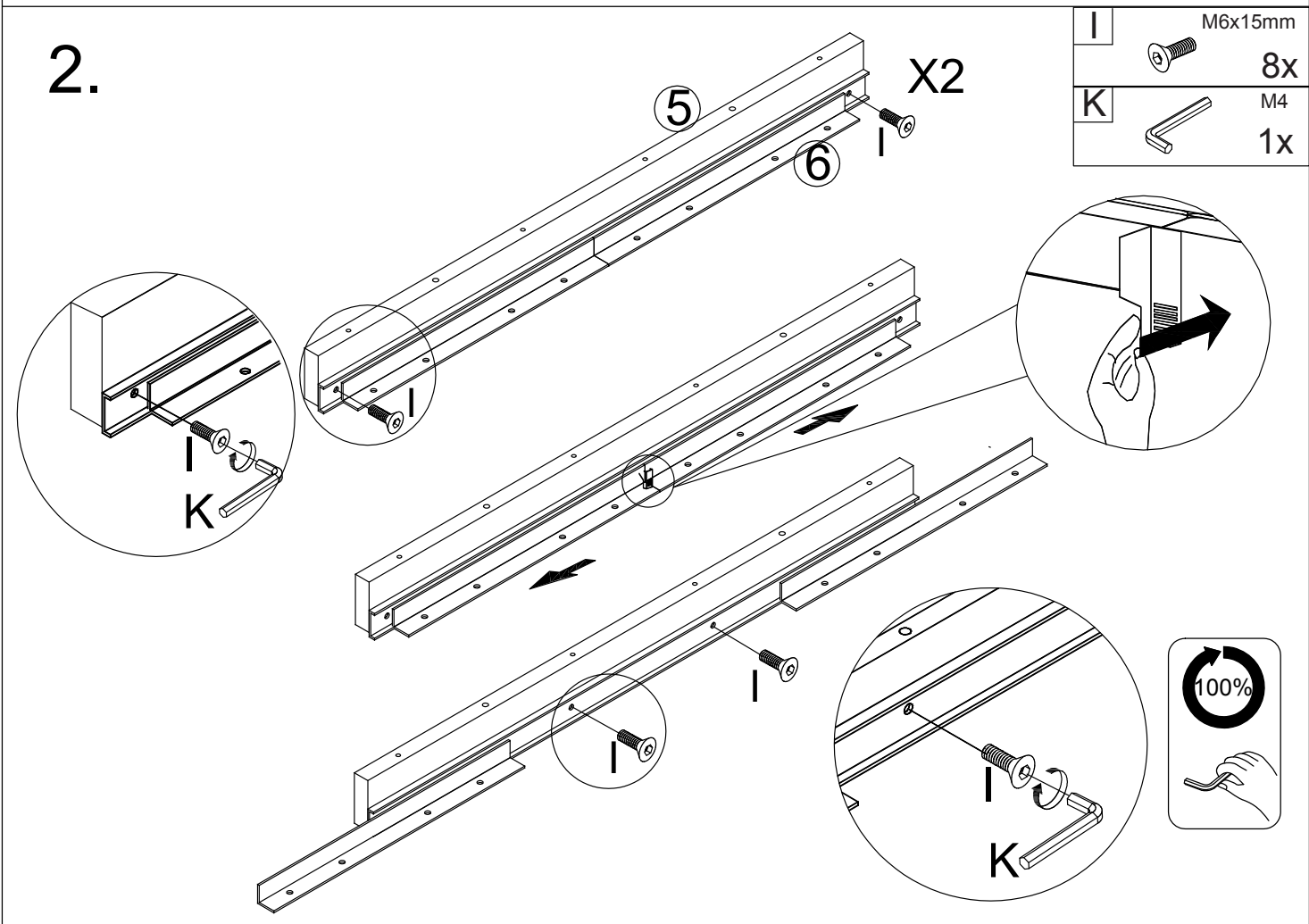
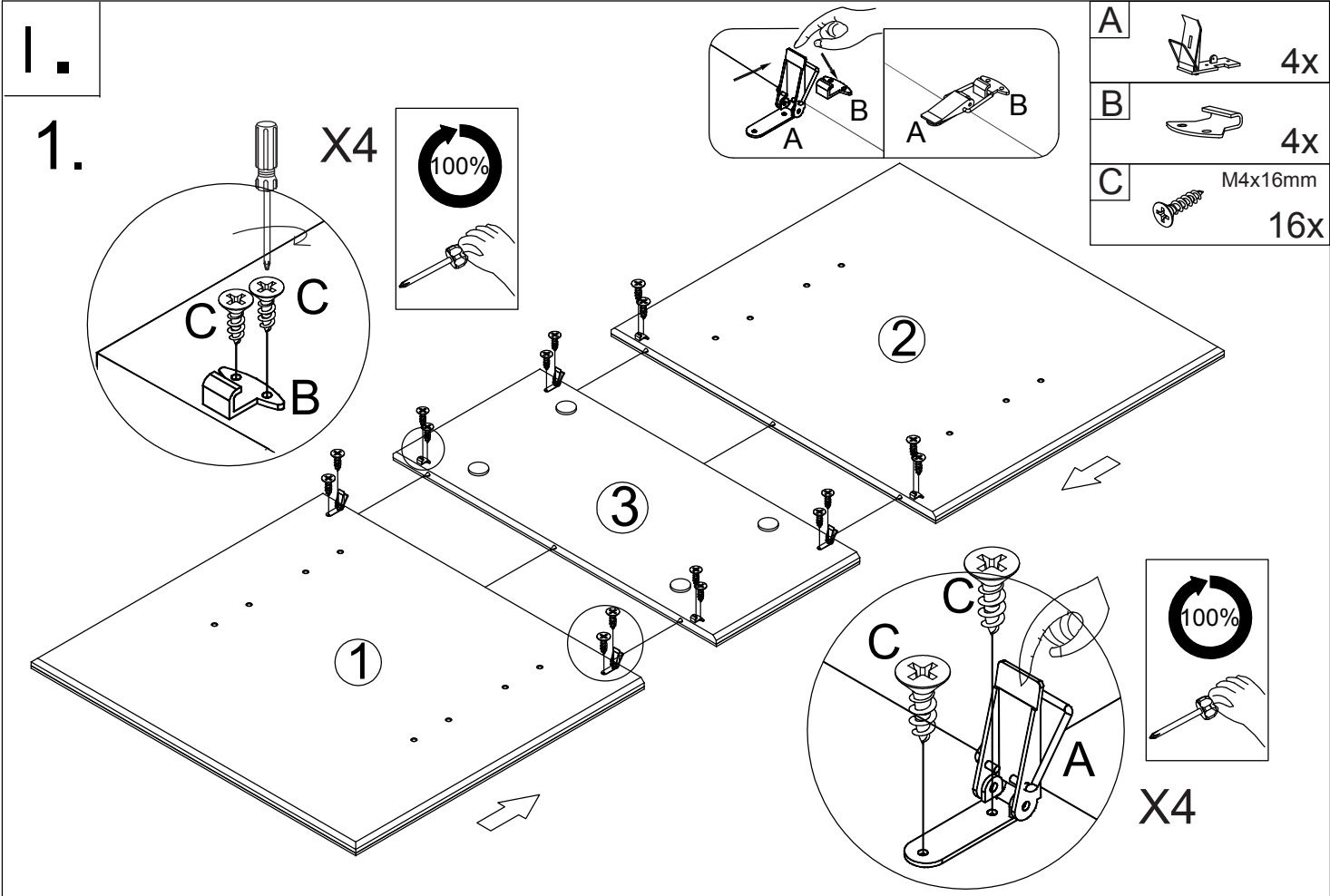


Chiara



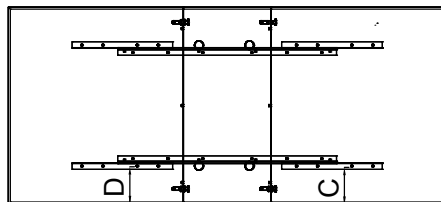
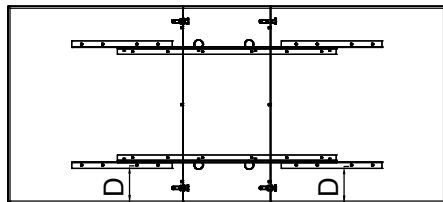
1	1x	1/2
2	1x	1/2
3	1x	1/2
4	1x	2/2
5	2x	2/2
6	2x	2/2
7	2x	2/2
8	1x	2/2

	2/2								
A	B	C M4x16mm	D M6x15mm	E M6x20mm	F ø16xø6x1.5mm	G ø8x30mm	H M7x68mm	I M6x15mm	
4x	4x	16x	24x	16x	40x	4x	8x	8x	
J ø22xø8.5x2mm	K M4	L	M						
4x	1x	1x	4x						

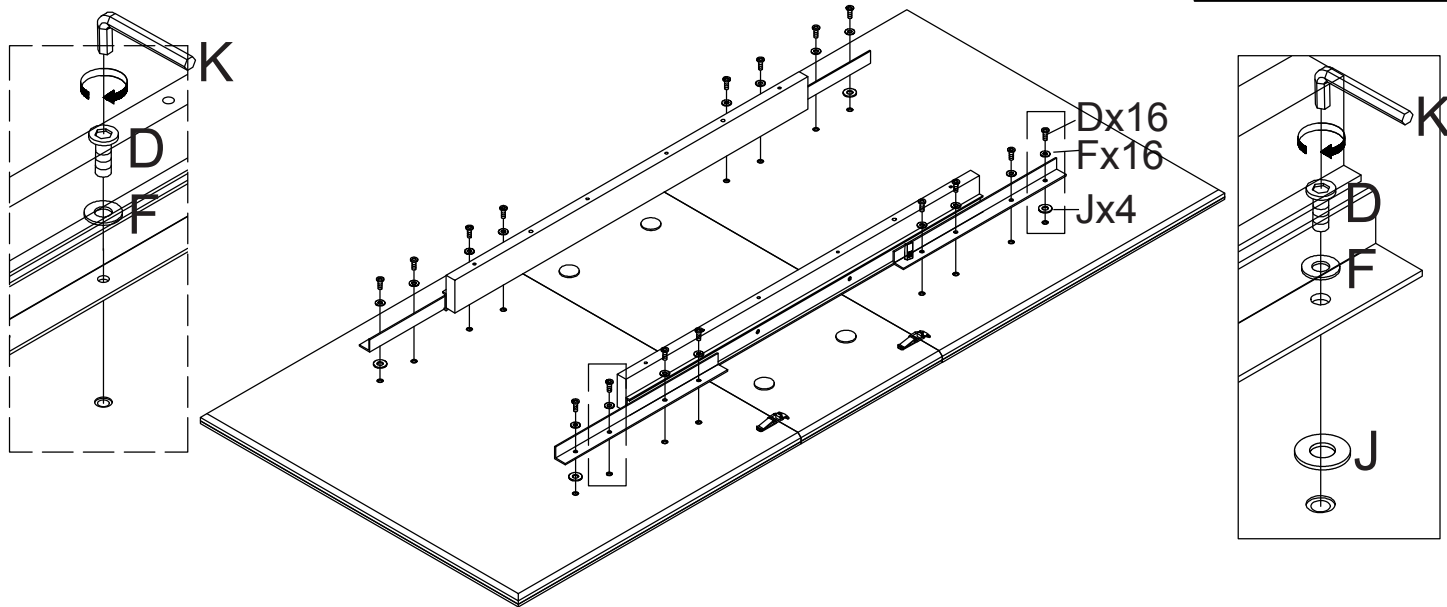


II.

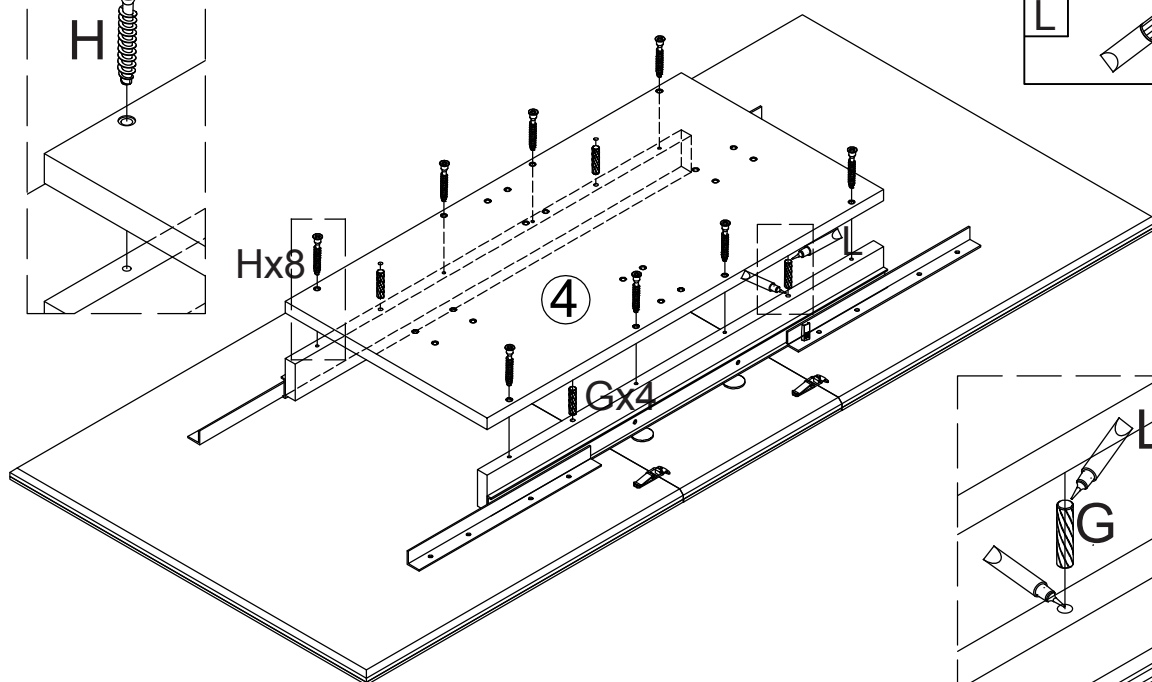
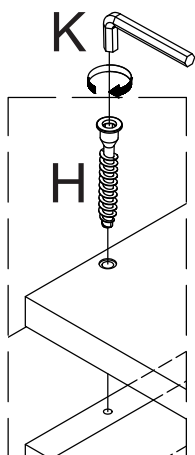
3.



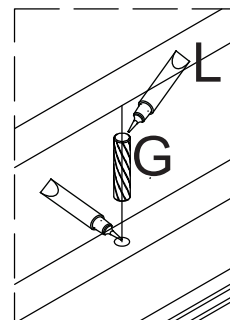
D	M6x15mm	16x
F	ø16xø6x1.5mm	16x
J	ø22xø8.5x2mm	4x
K	M4	1x



4.



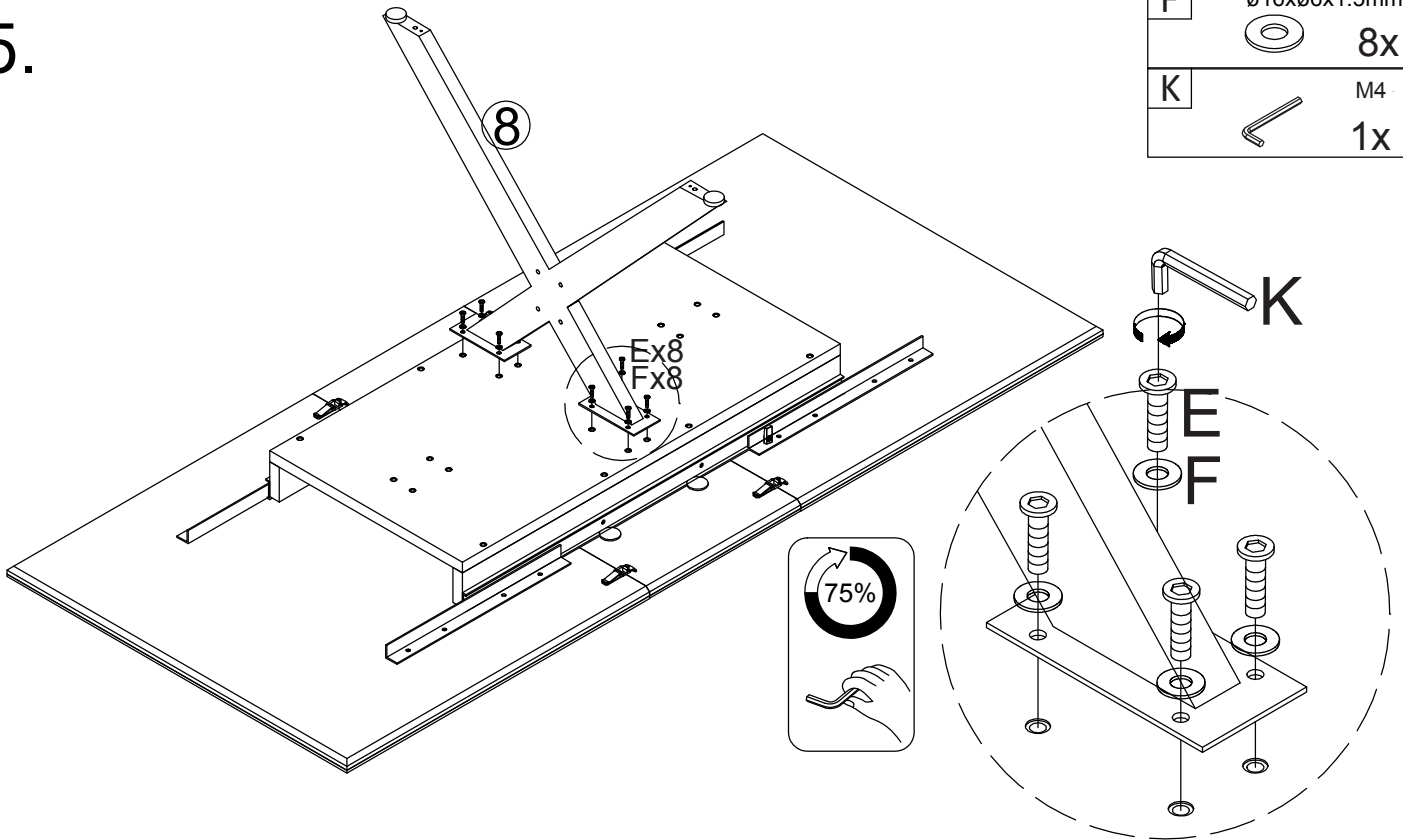
G	ø8x30mm	4x
H	M7x68mm	8x
K	M4	1x
L		1x



III.

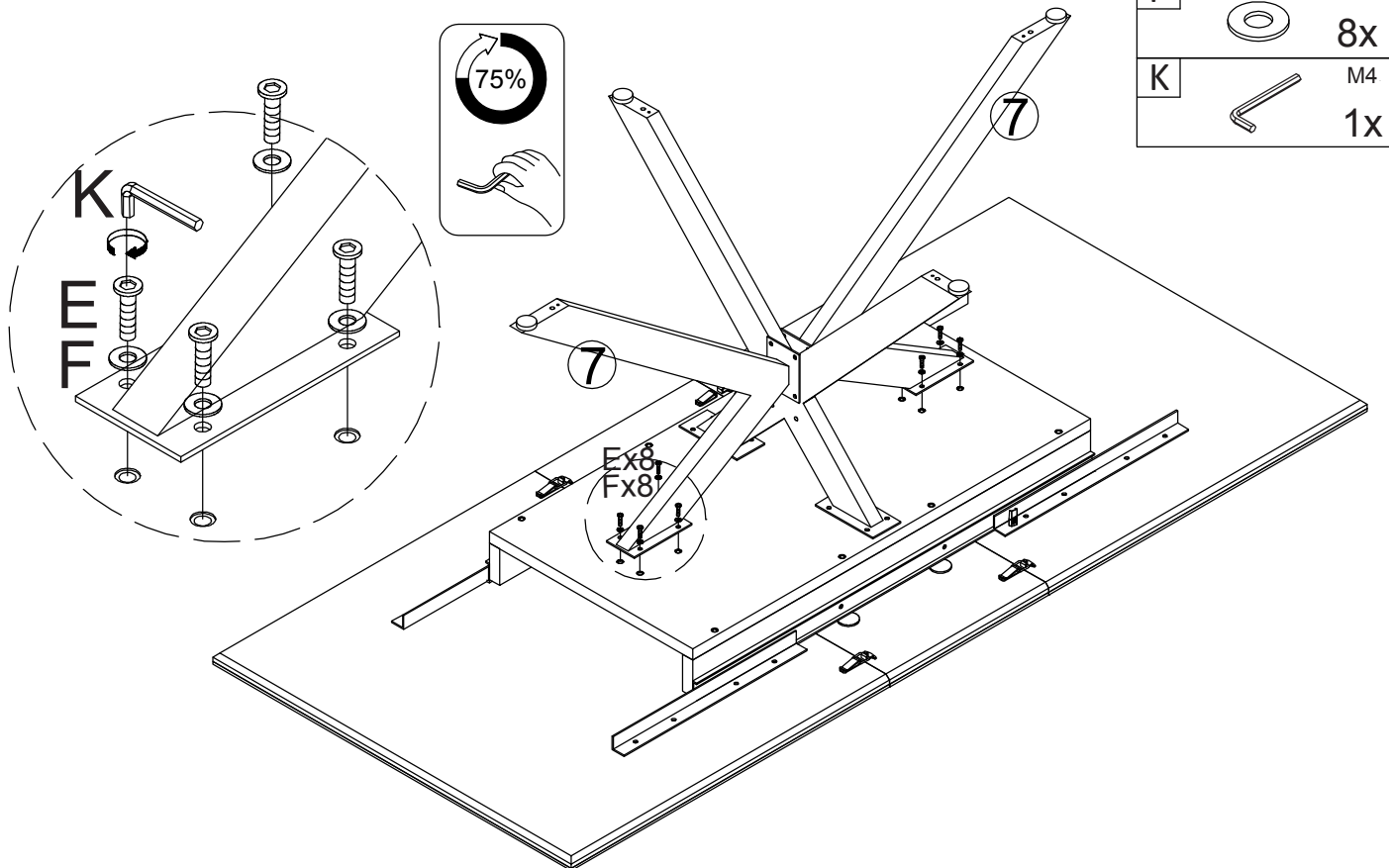
5.

E	M6x20mm	8x
F	ø16xø6x1.5mm	8x
K	M4	1x






6.

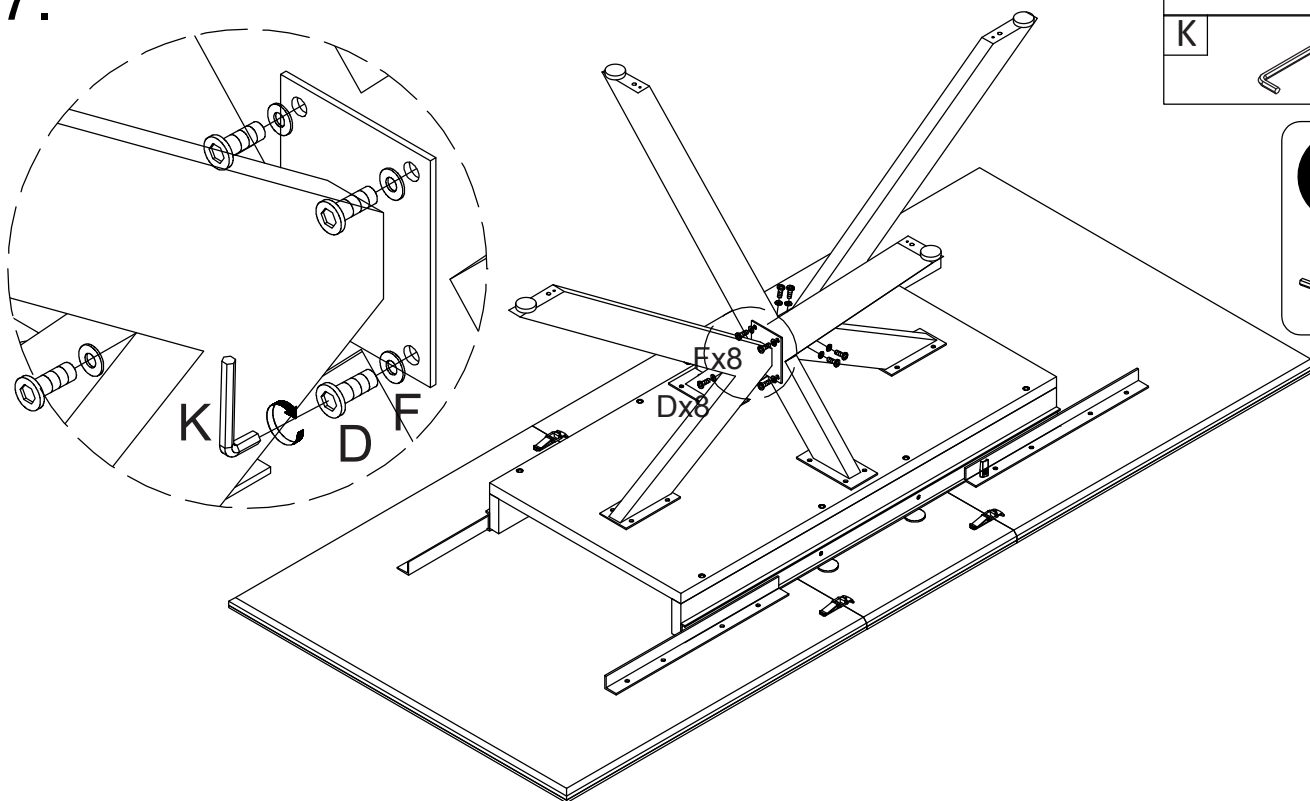
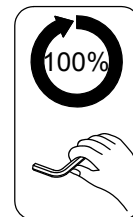
E	M6x20mm	8x
F	ø16xø6x1.5mm	8x
K	M4	1x



IV.

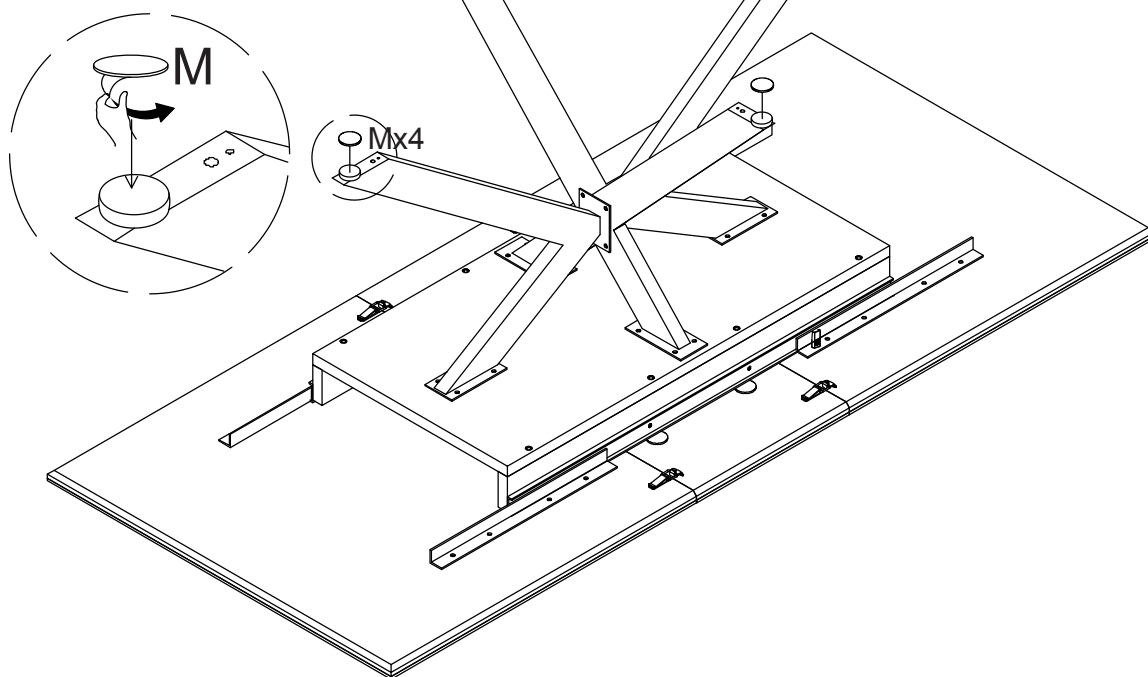
7.

D	M6x15mm		8x
F	ø16xø6x1.5mm		8x
K	M4		1x



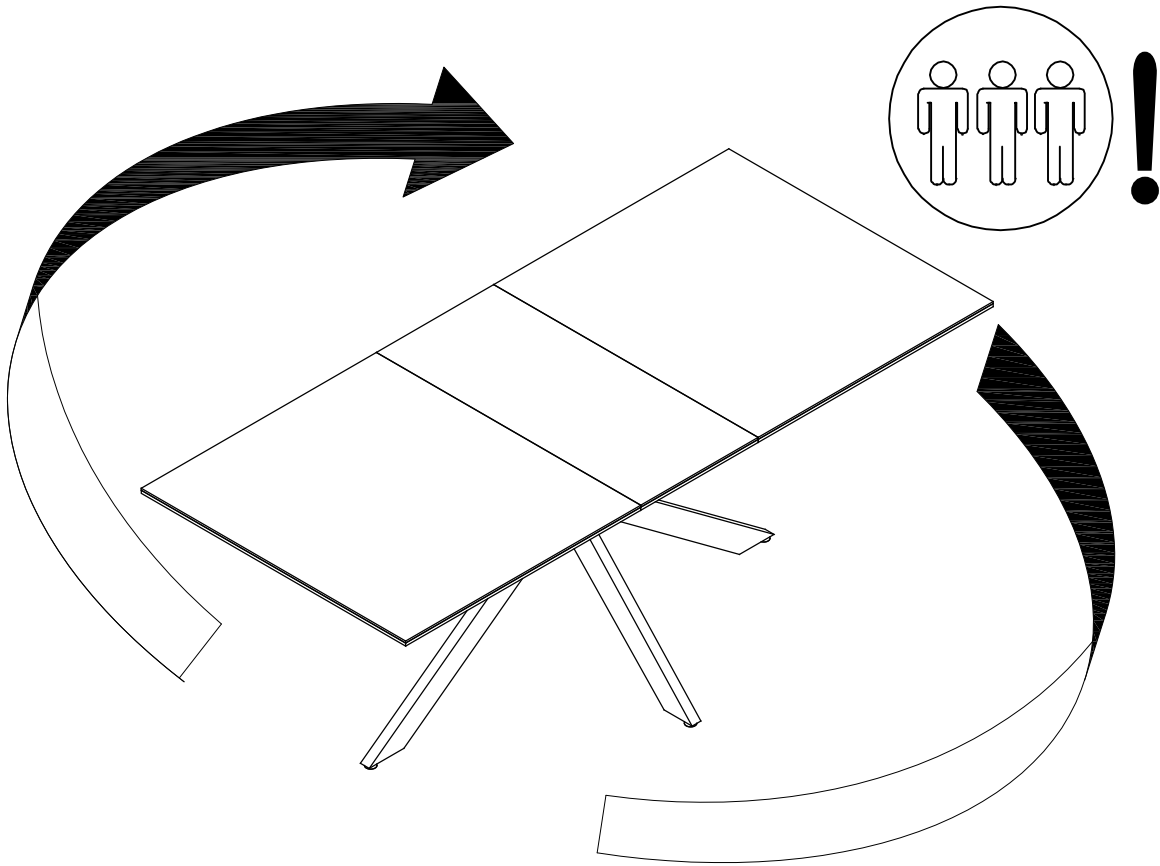
8.

M			4x
---	--	---	----

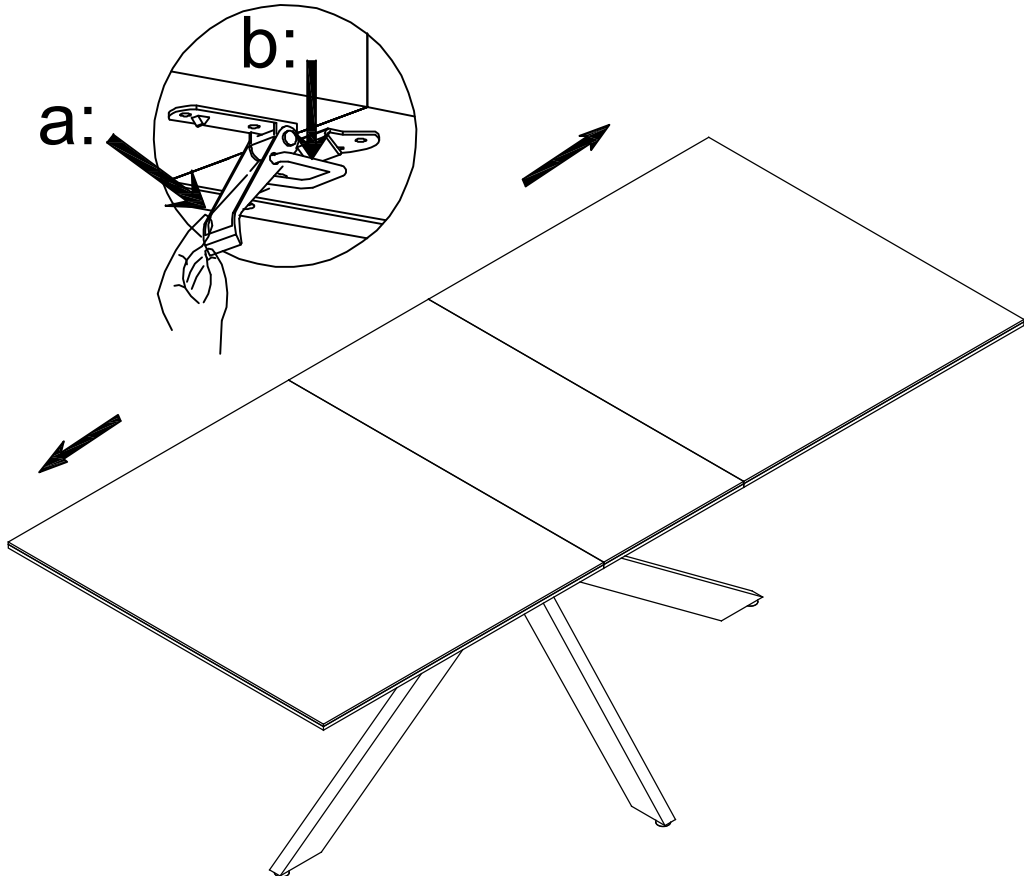


V.

9.

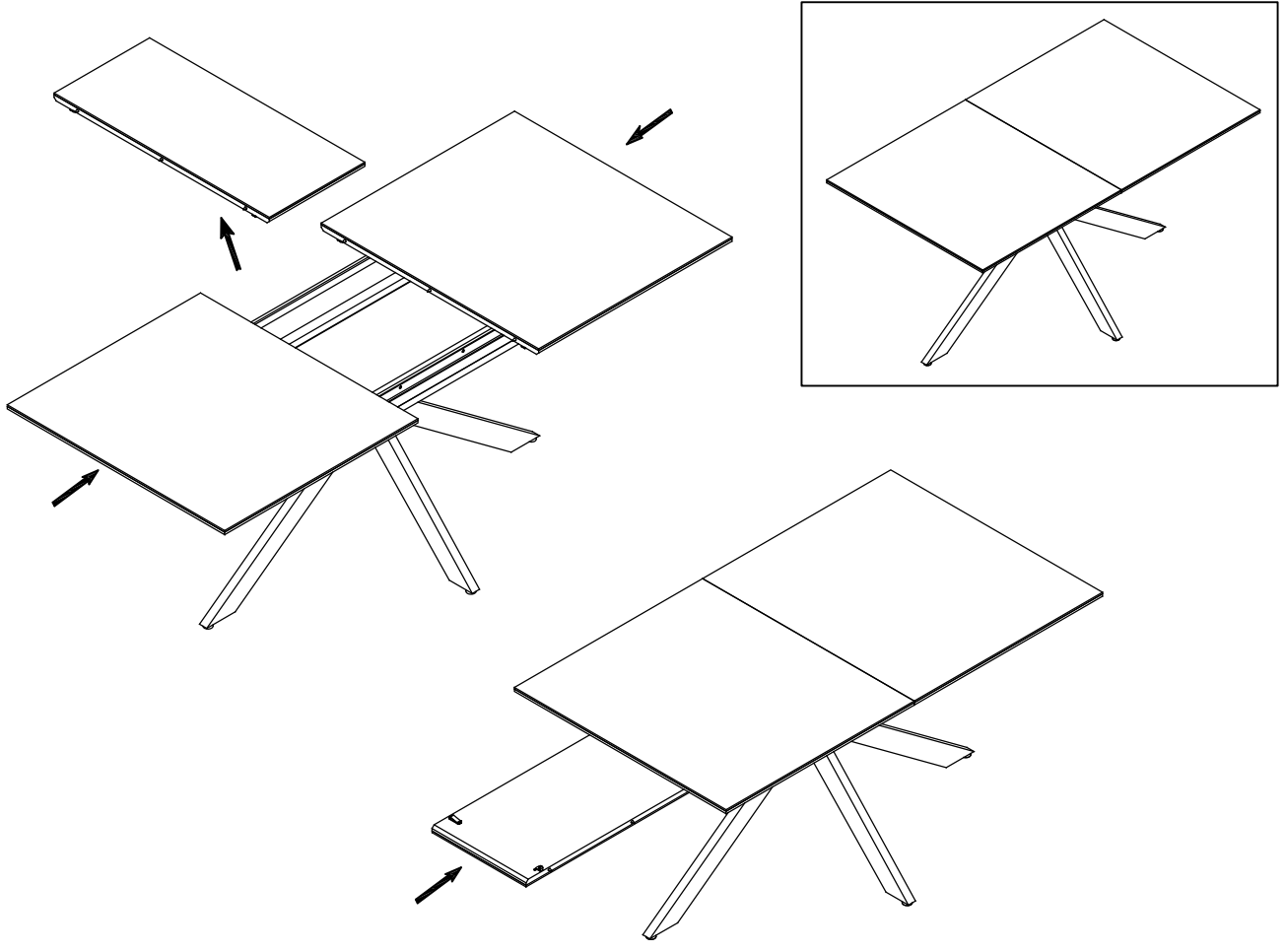


10.

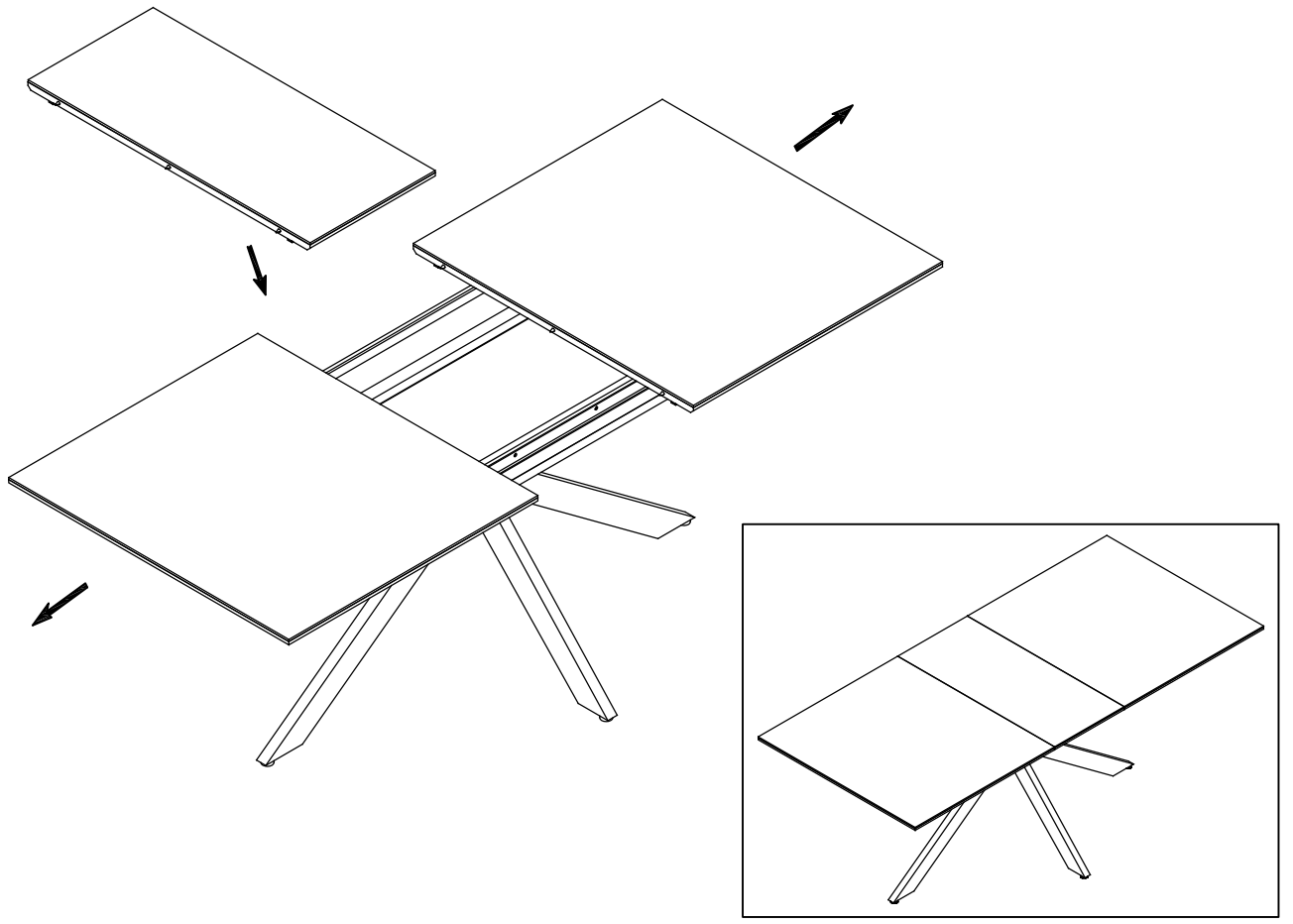


VI.

11.



12.



VII.

13.

