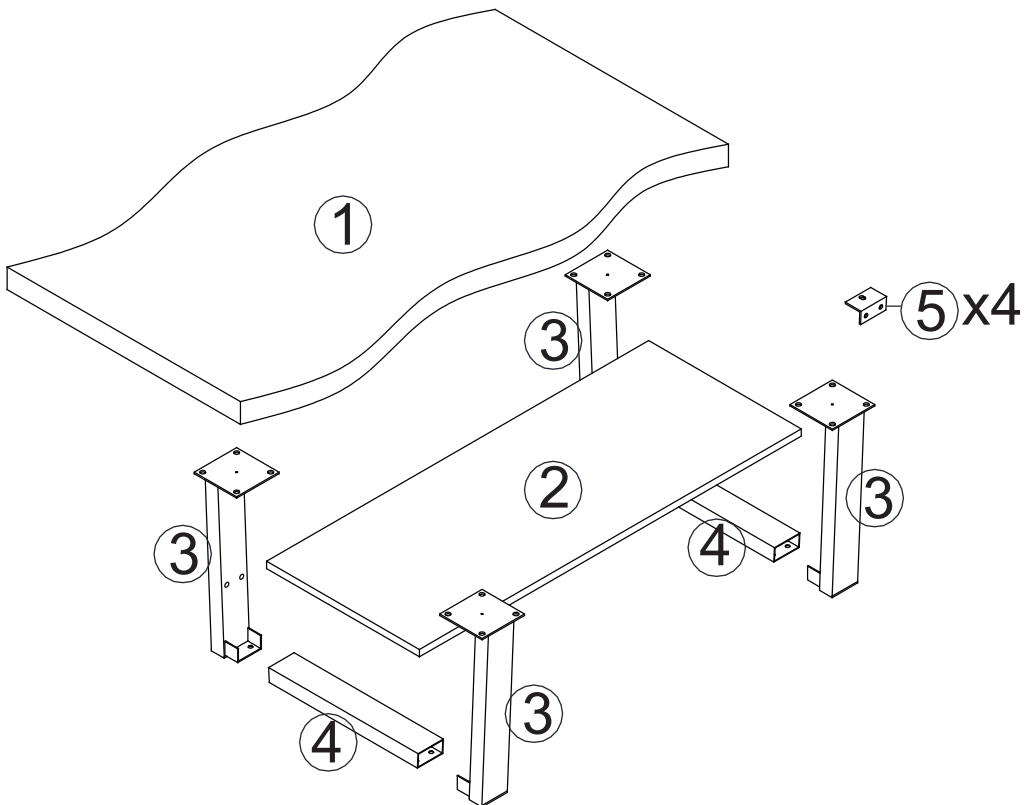
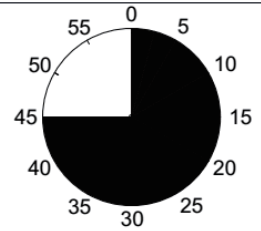
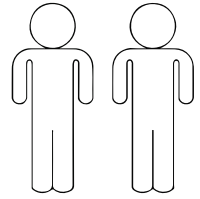
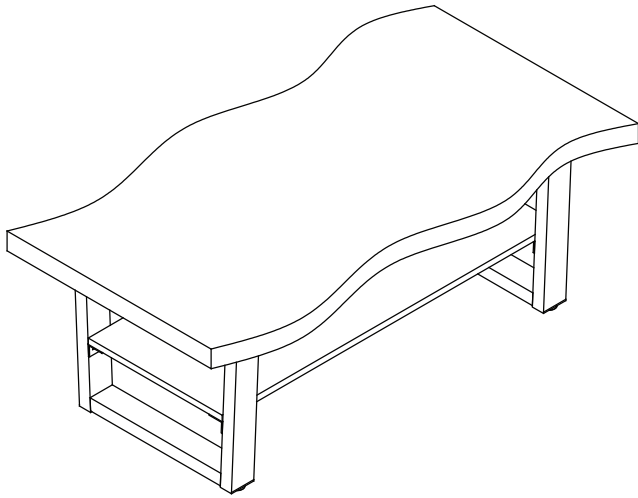

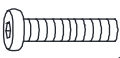



Gavriil




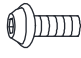
		
1	1x	1/2
2	1x	1/2
3	4x	2/2
4	2x	2/2
5	4x	2/2


 2/2


A M8x25mm
 16x

B $\varnothing 30 \times M8$
 4x

C $\varnothing 16 \times \varnothing 8 \times 1 \text{mm}$
 16x

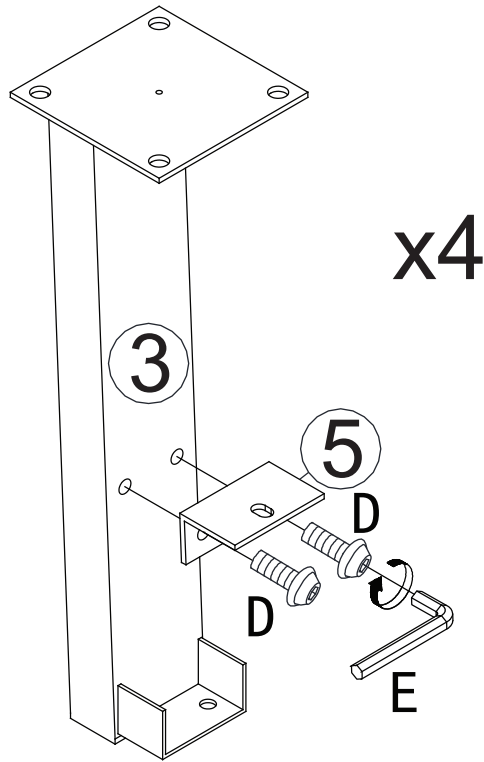
D M6x12mm
 20x

E M4
 1x

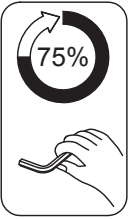
F M5
 1x

I.

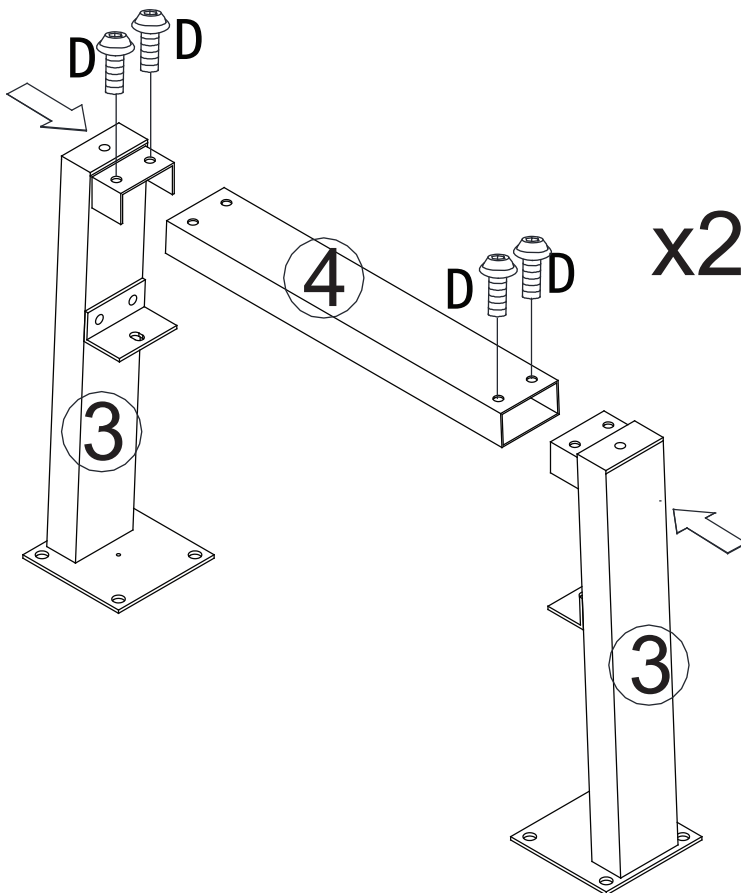
1.



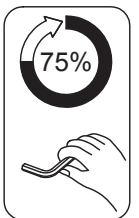
D	M6X12mm	8x
E	M4	1x



2.

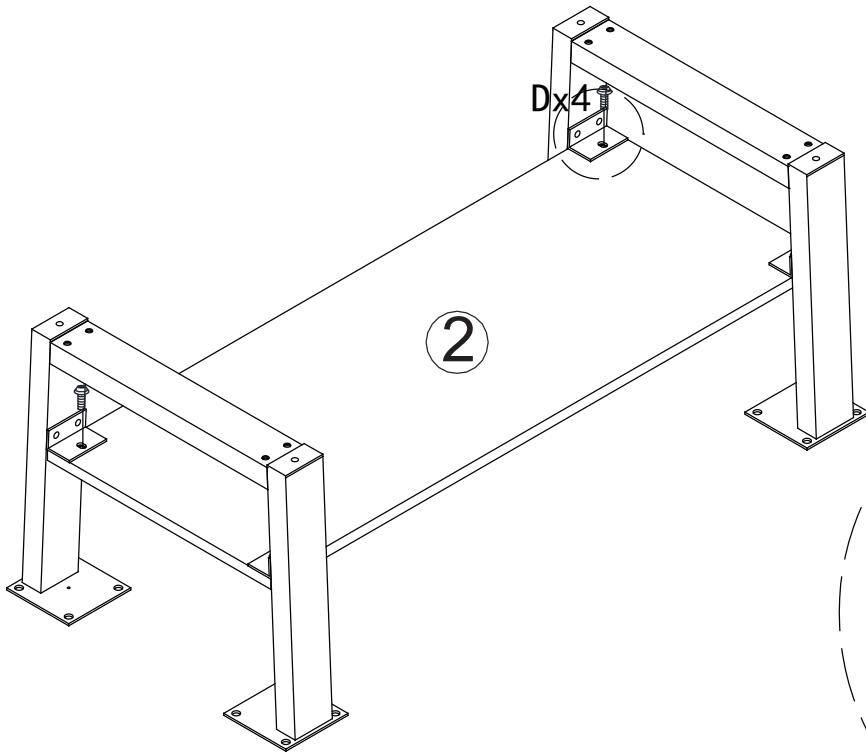




D	M6X12mm	8x
E	M4	1x

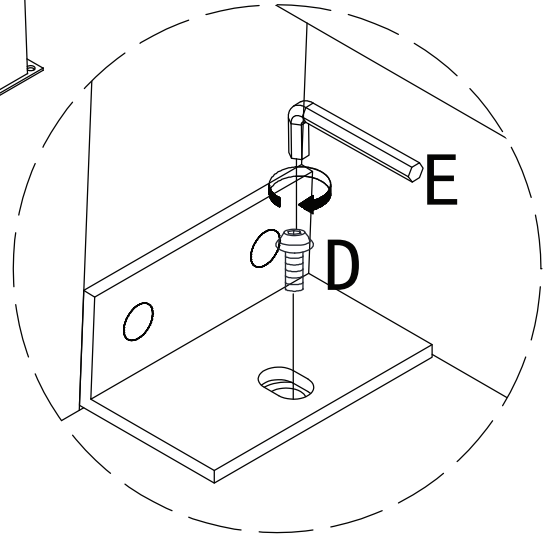
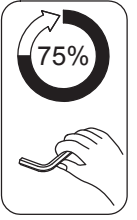


II.

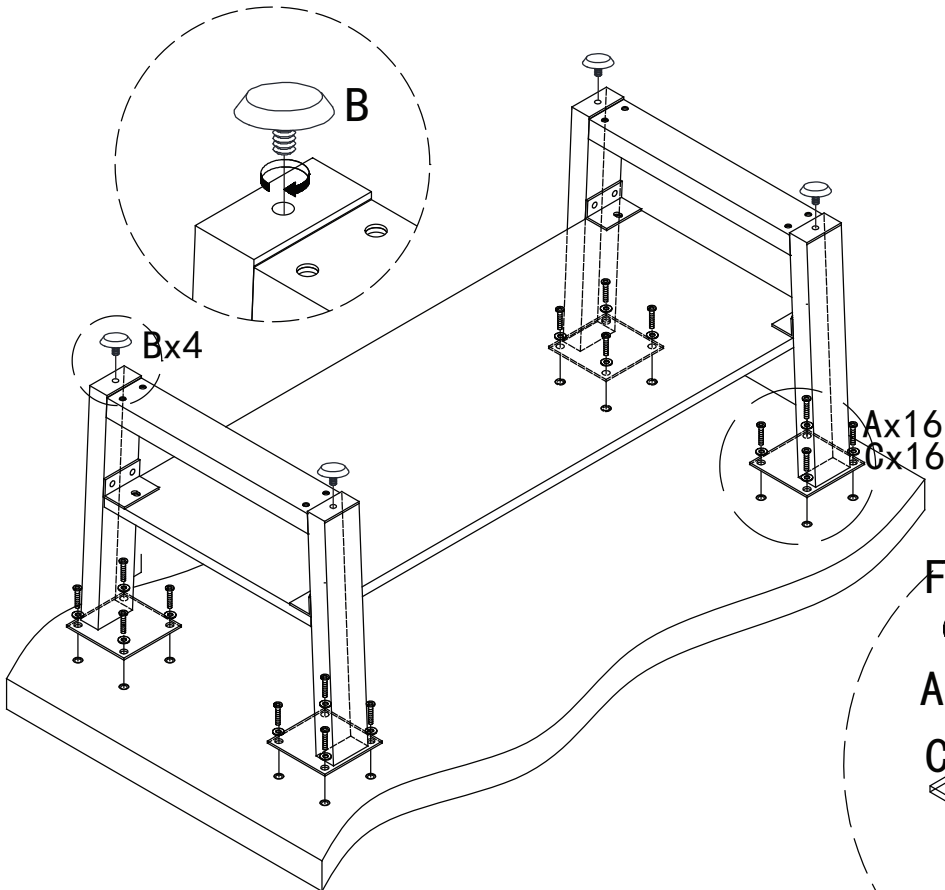
3.







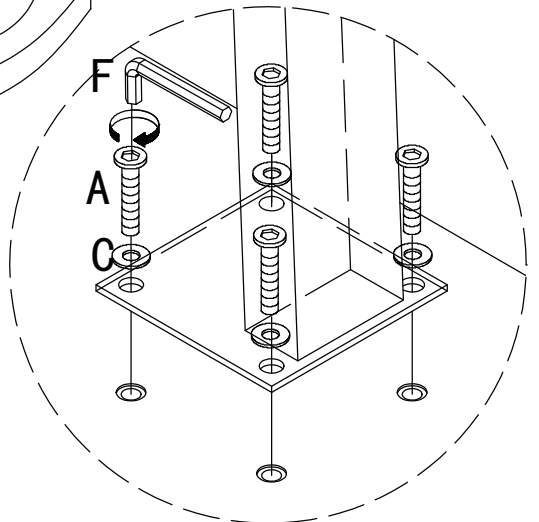
D	M6X12mm
	4x
E	M4
	1x



4.


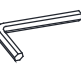


A	M8x25mm
	16x
B	φ30xM8
	4x
C	φ16xφ8x1mm
	16x
F	M5
	1x



III.

5.

E		M4 1x
F		M5 1x

