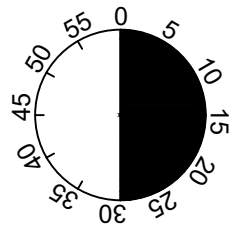
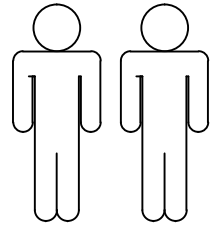
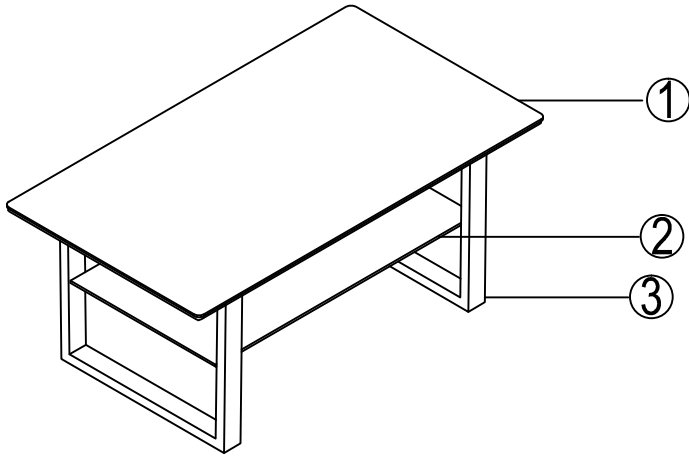
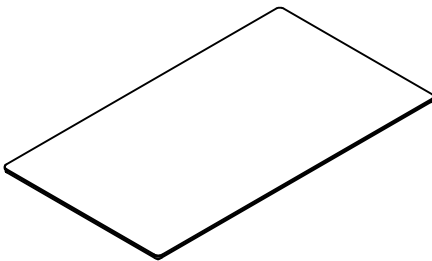


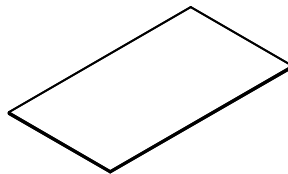
Arne



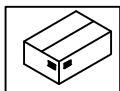
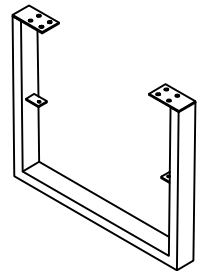
1



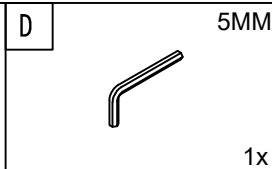
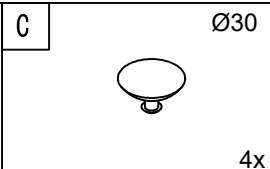
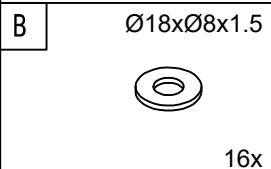
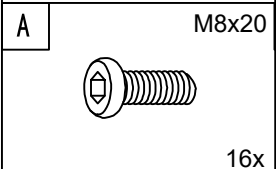
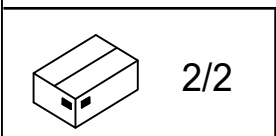
2



3

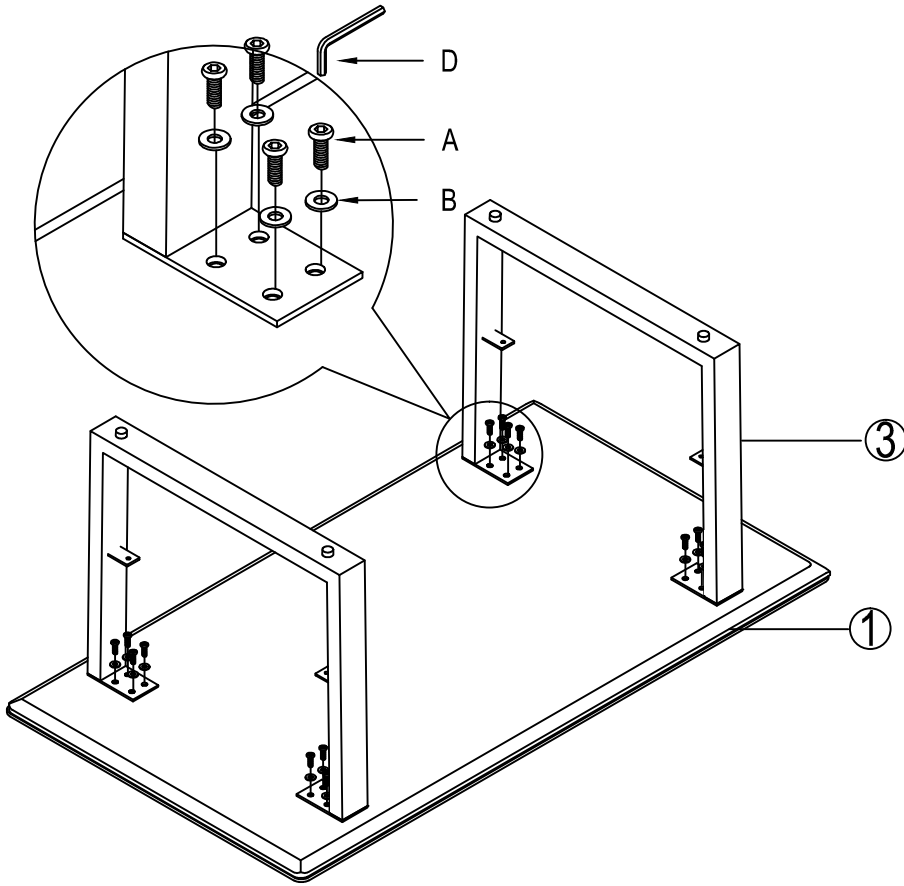


1	1 x	1/2
2	1 x	1/2
3	2 x	2/2

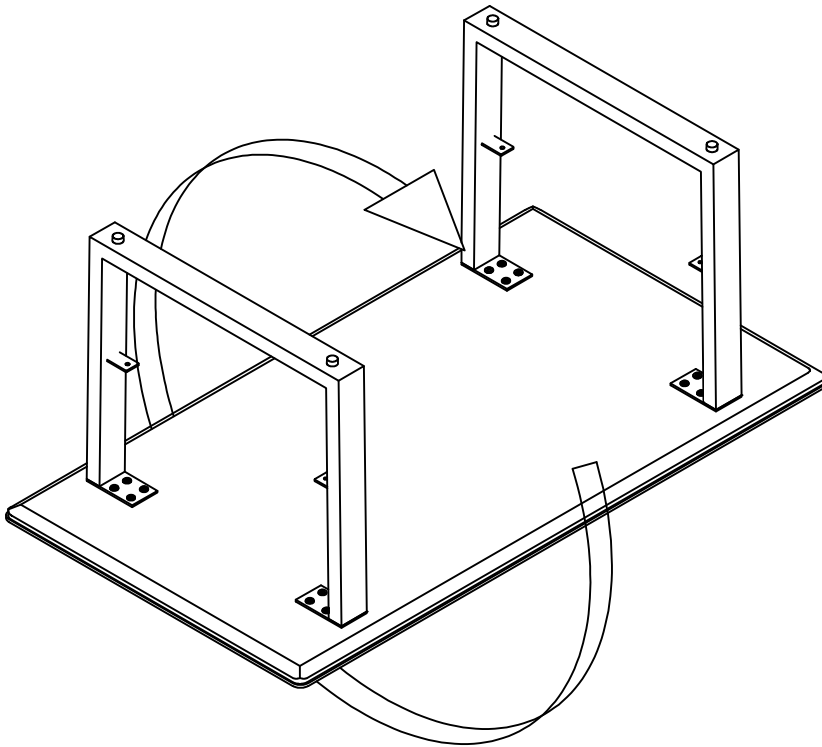


I.

1





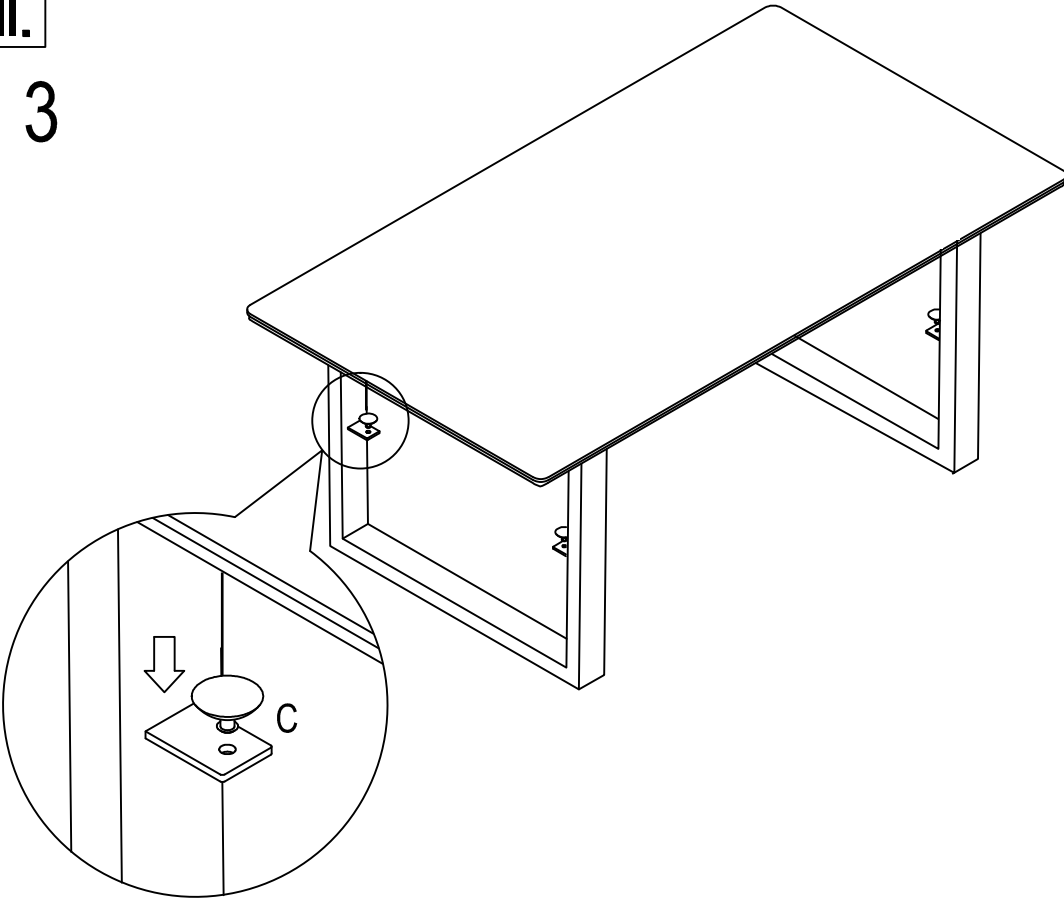
2



II.

3

C	Ø30
	4x
	



4

