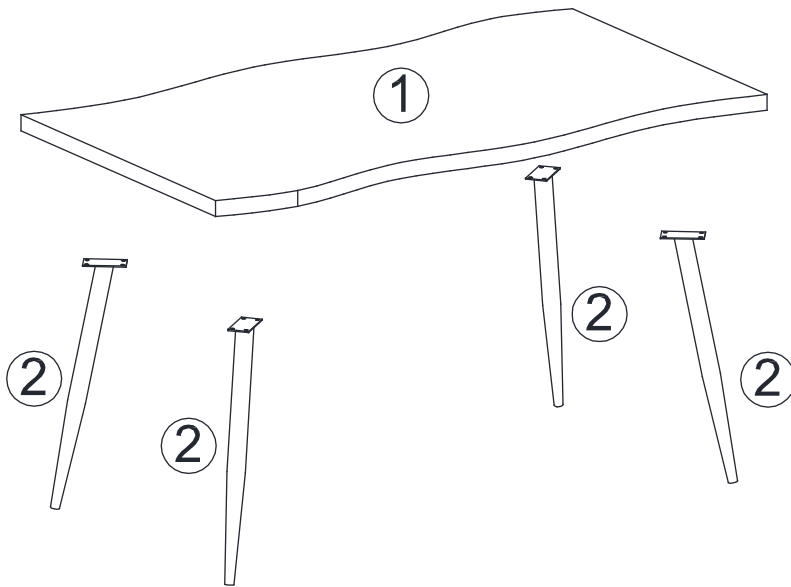
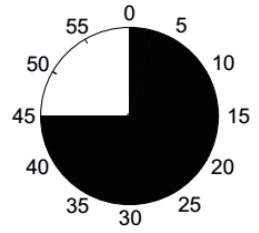
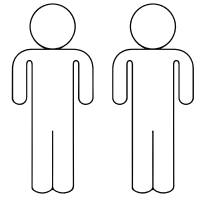
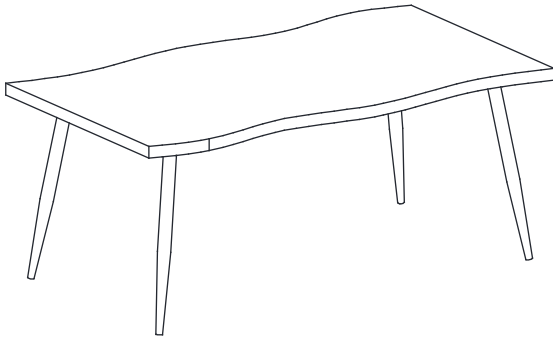



GARY



		
1	1x	1/2
2	4x	2/2

 2/2

A M8x25mm



16x

B $\varnothing 16 \times \varnothing 8 \times 1 \text{mm}$



16x

C M5



1x

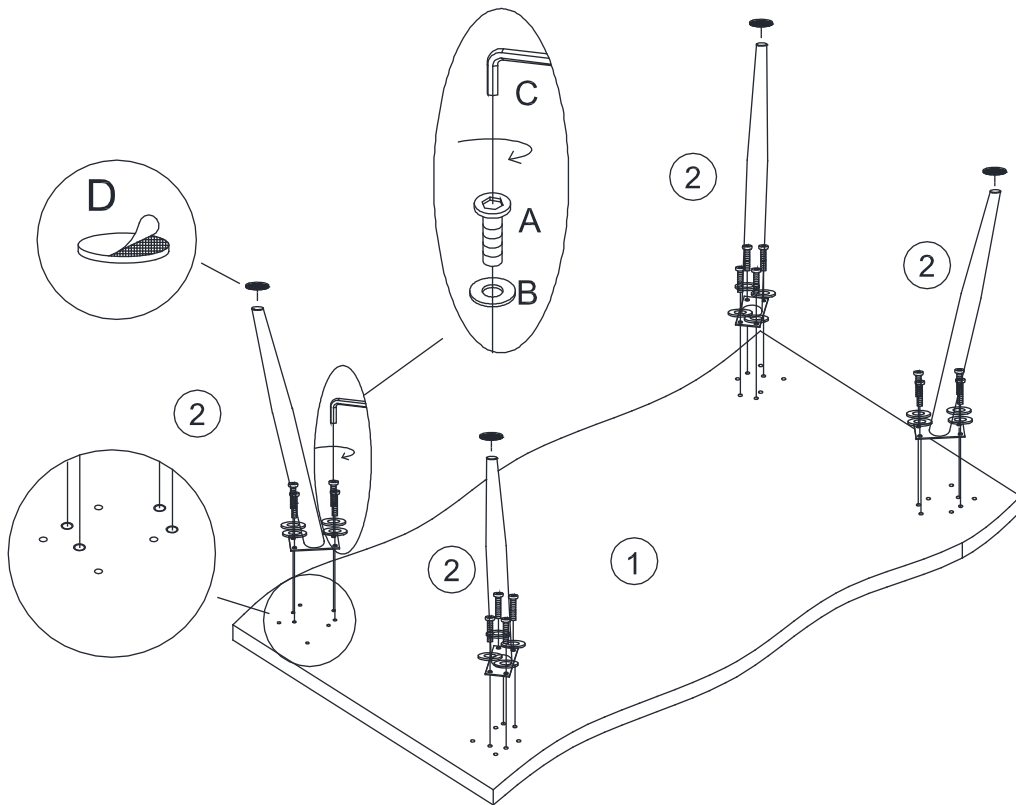
D







4x

I.

1.



A	M8x25mm		16x
B	φ16xφ8x1mm		16x
C	M5		1x
D			4x

2.

