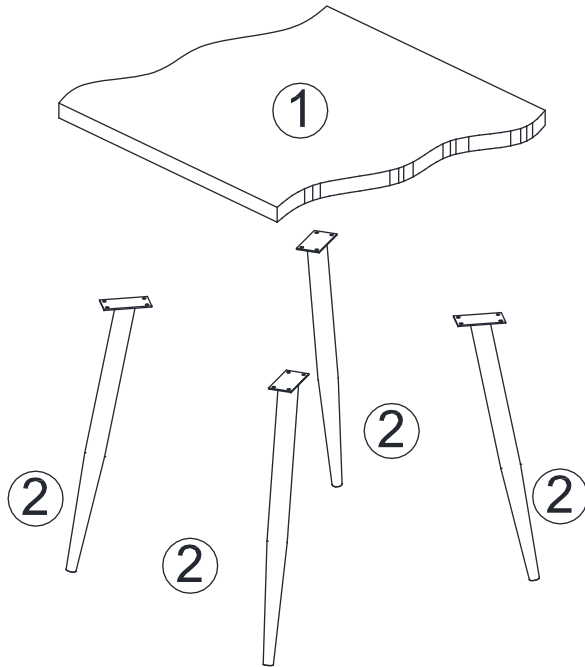
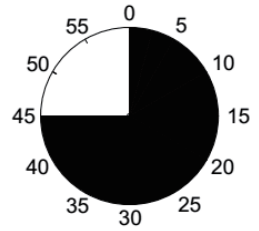
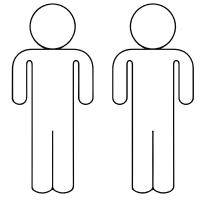
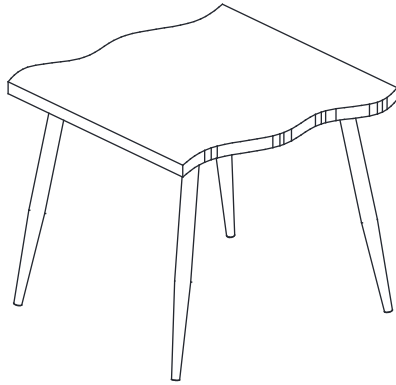


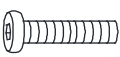




GARY




		
1	1x	1/2
2	4x	2/2

	2/2
A	M8x25mm
	16x

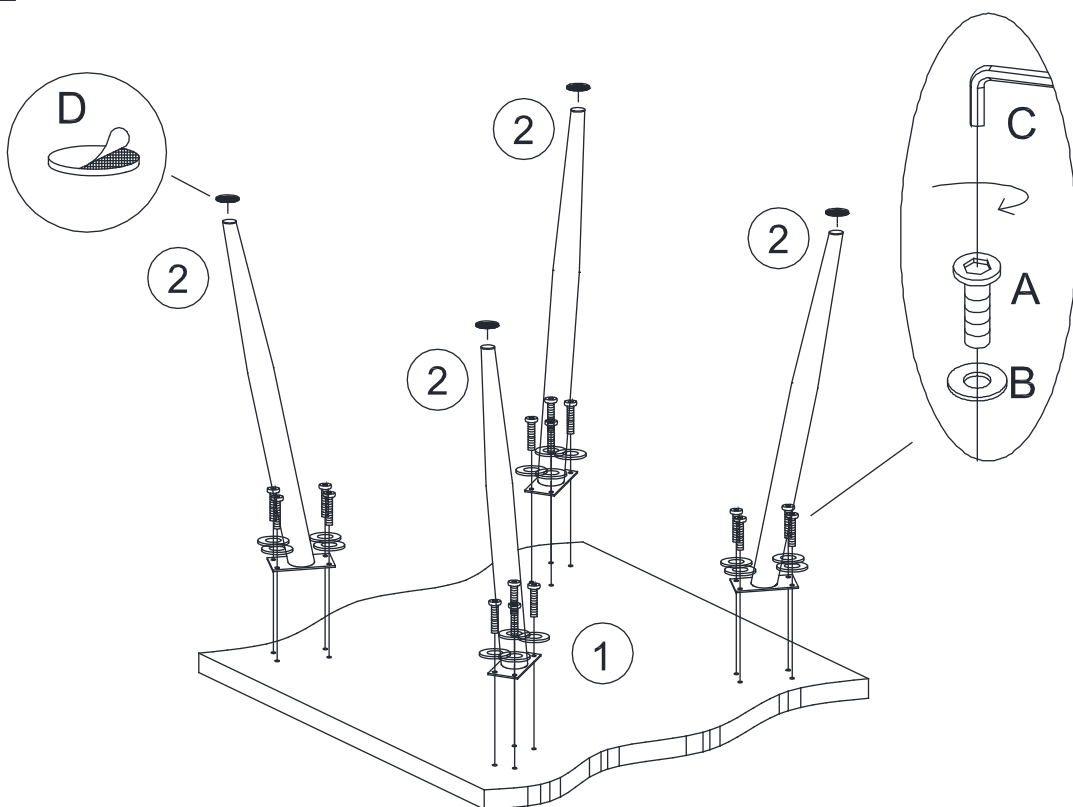
B	φ16xφ8x1mm
	16x





C	M5
	1x

D	
	4x

I.

1.



A	M8x25mm		16x
B	φ16xφ8x1mm		16x
C	M5		1x
D			4x

2.

