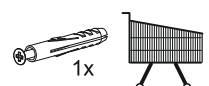
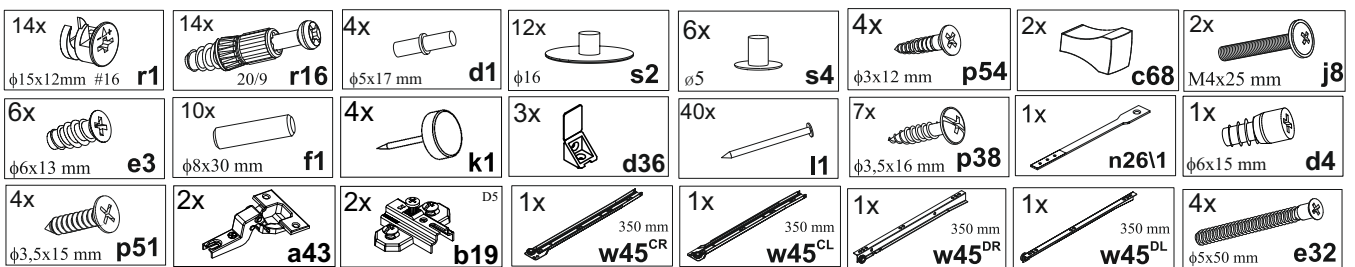
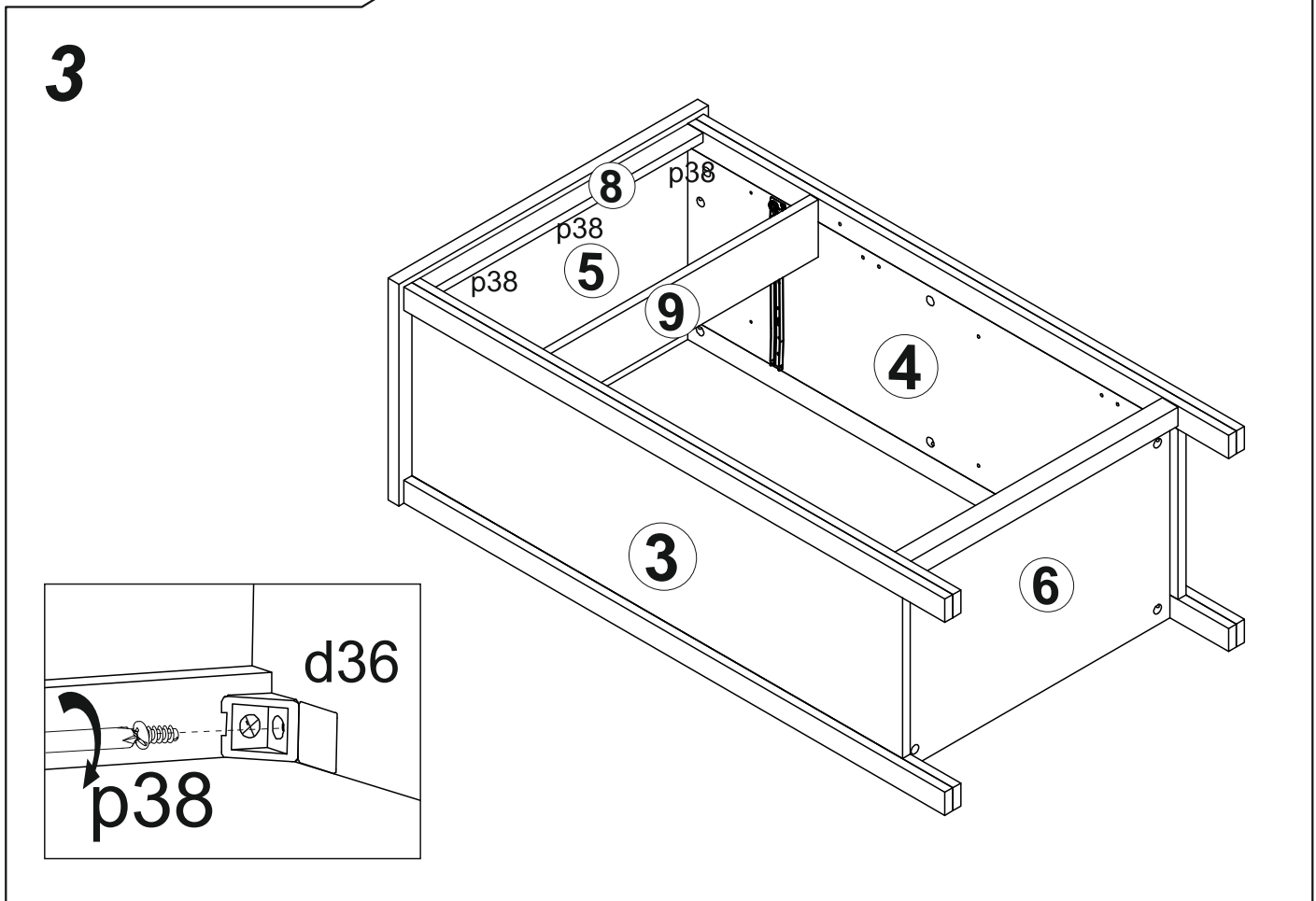
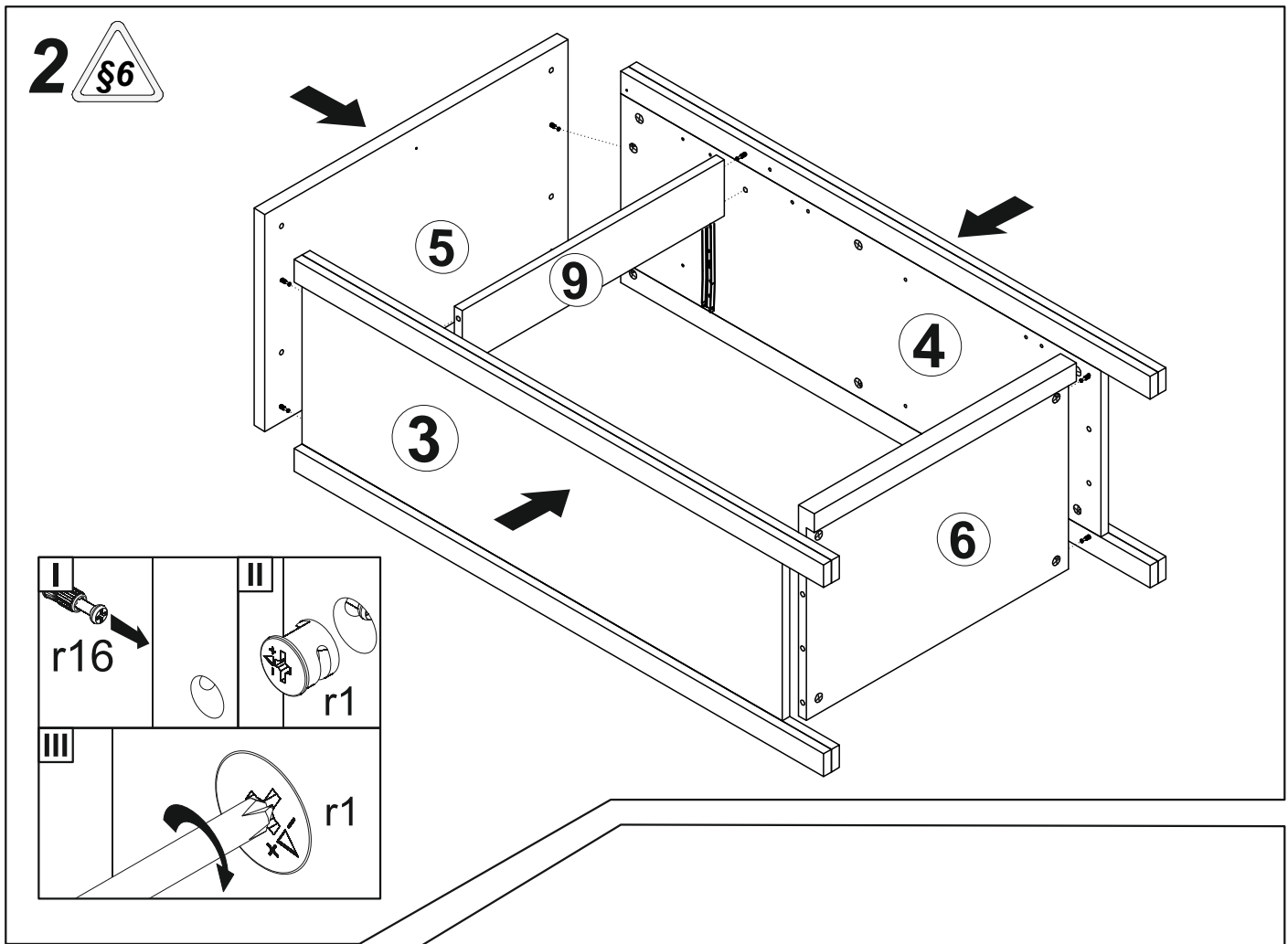


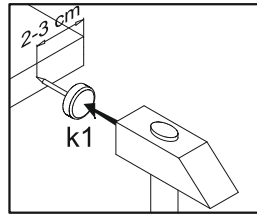
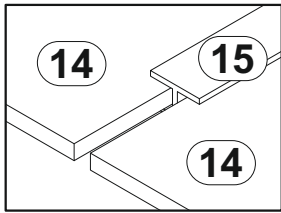
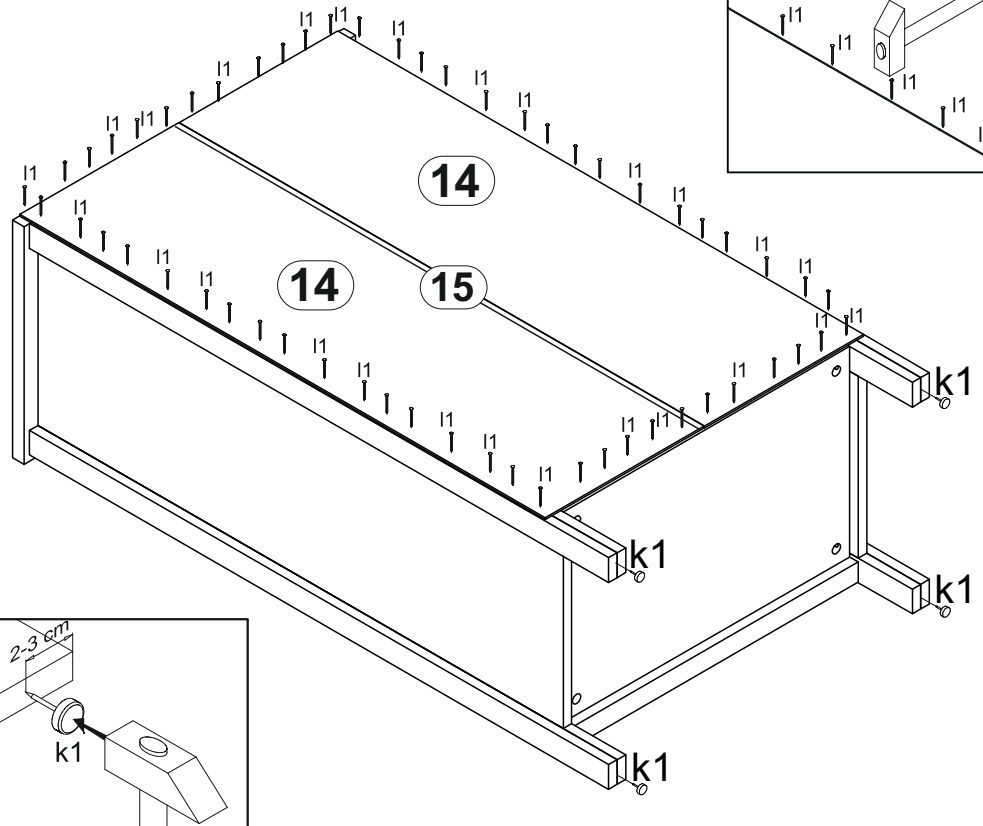
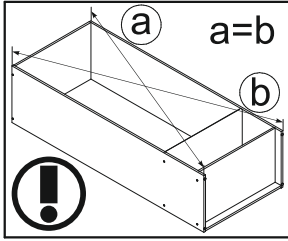
A	B	C	D
1	HM1-016	531	179
2	HM1-015	531	711
3	HM1-125	1083	375
4	HM1-126	1083	375
5	HM1-202	620	385
6	HM1-304	536	374
7	HM1-305	536	350
8	HM1-420	536	32

A	B	C	D
9	HM1-423	536	100
10	HM1-510	478	140
11	HM1-511	350	140
12	HM1-512	350	140
13	HM1-905	349	493
14	HM1-913	983	297
15	LH-949	949	14

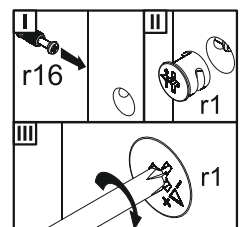
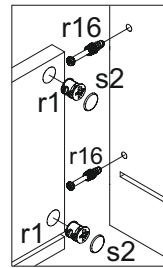
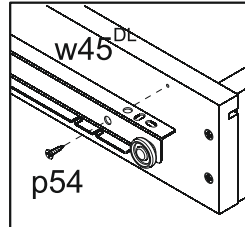
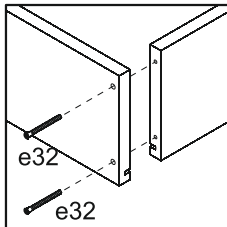
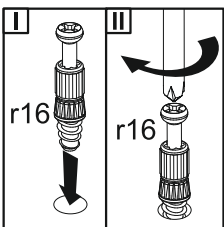
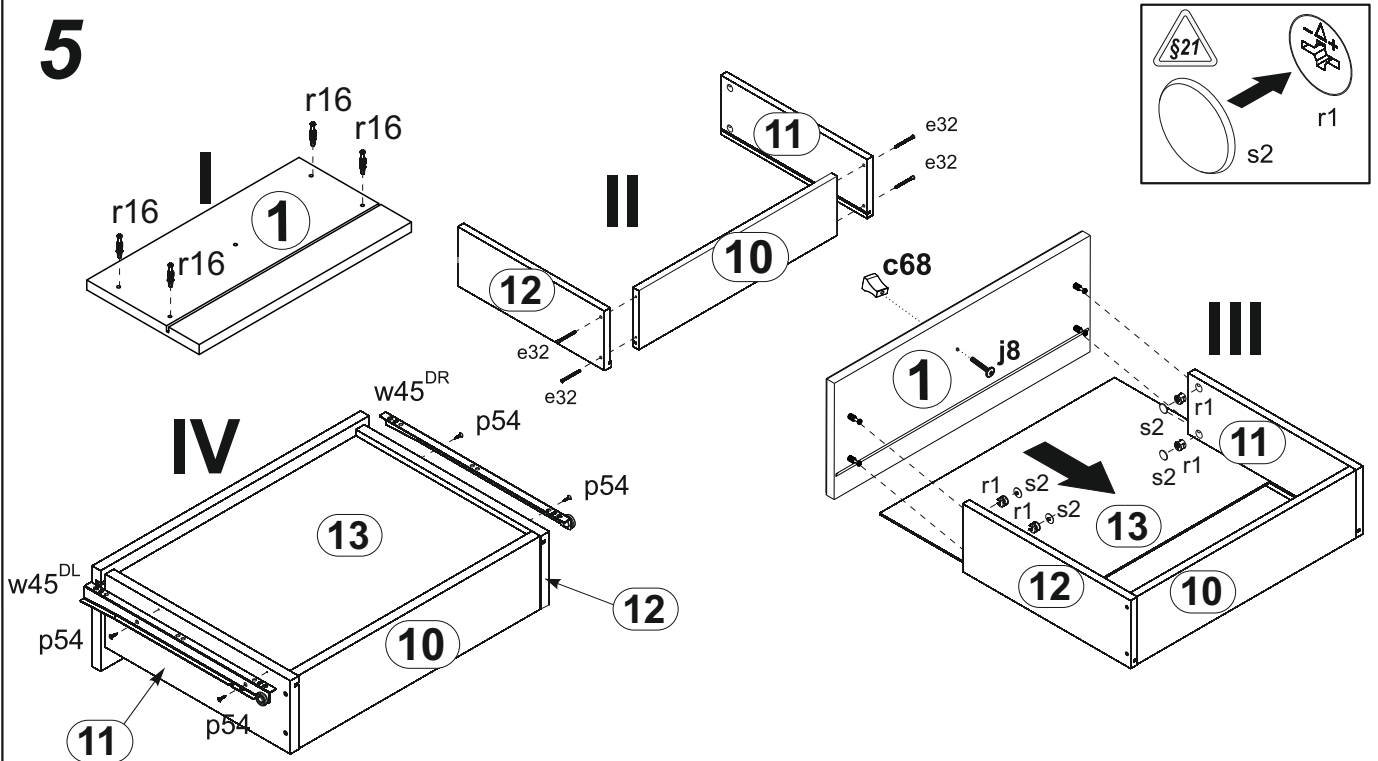




4



5



6

