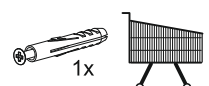
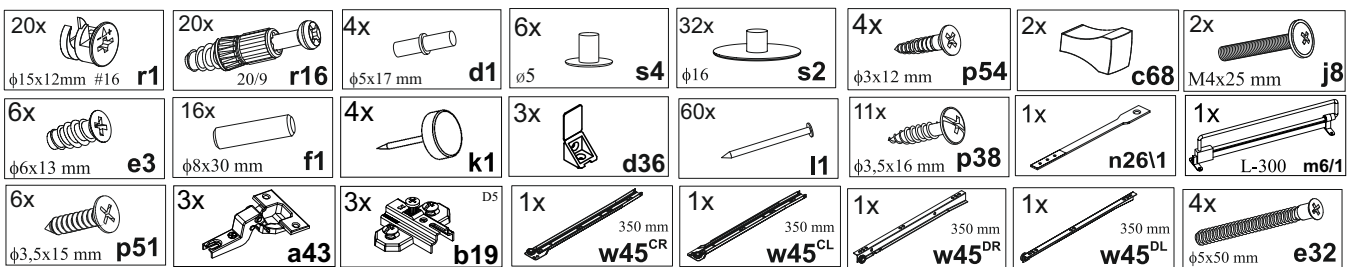
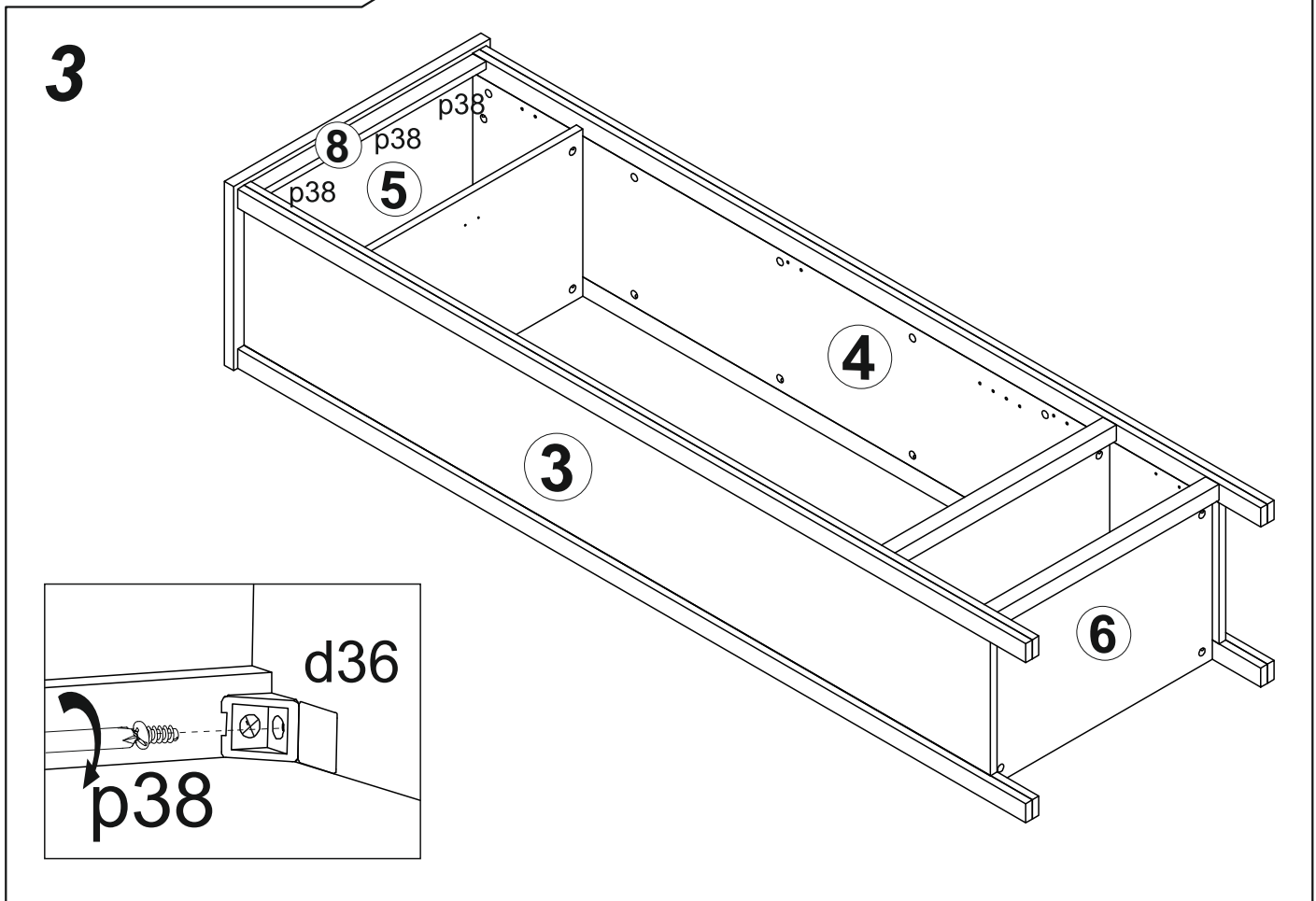
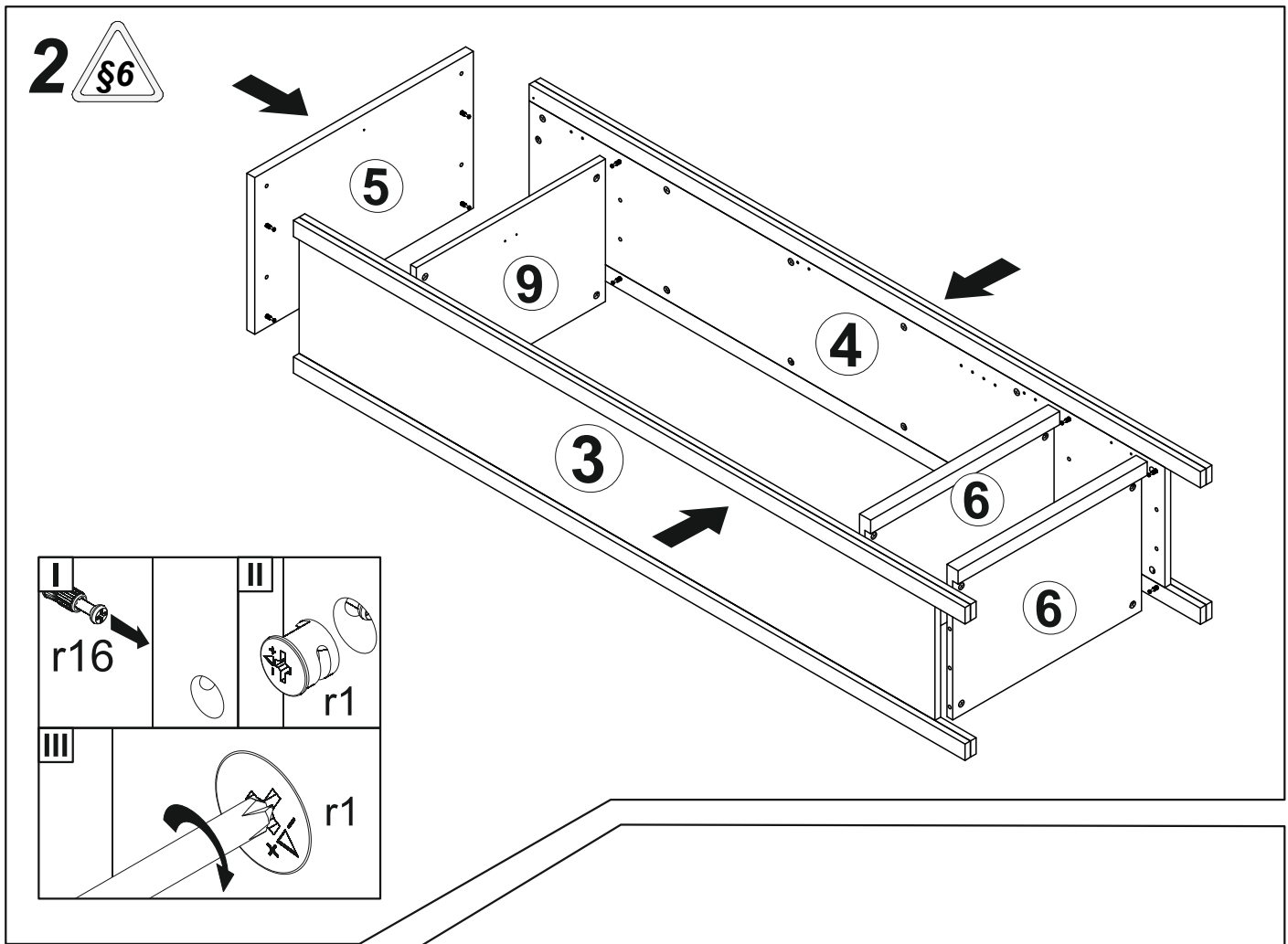


A	B	C	D
1	HM1-005	531	210 2/3
2	HM1-010	1484	531 3/3
3	HM1-117	1903	375 1/3
4	HM1-118	1903	375 1/3
5	HM1-202	620	385 2/3
6	HM1-304	536	374 2/3
7	HM1-320	536	355 2/3
8	HM1-420	536	32 2/3

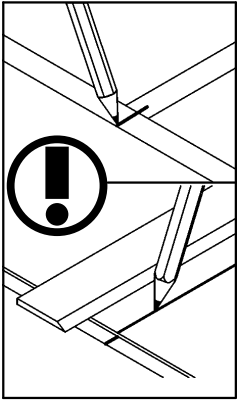
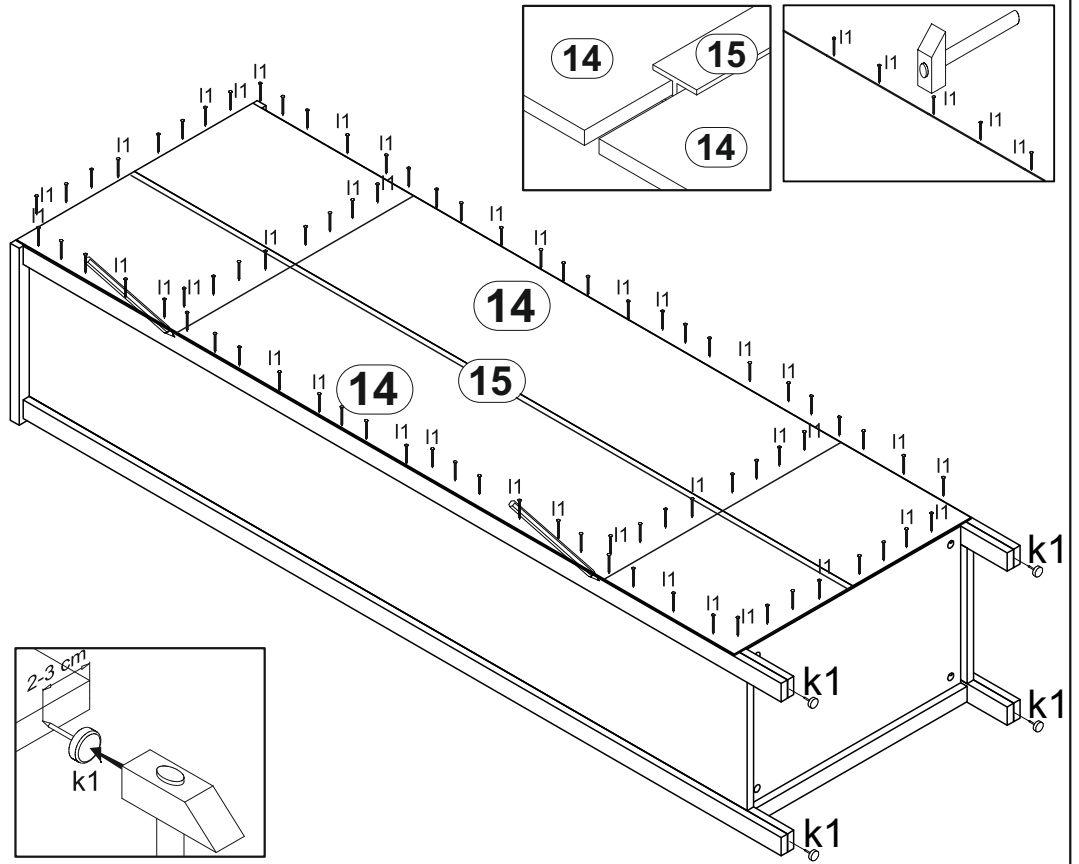
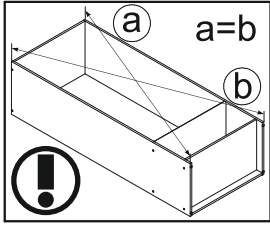
A	B	C	D
9	HM1-313	536	355 2/3
10	HM1-510	478	140 2/3
11	HM1-511	350	140 2/3
12	HM1-512	350	140 2/3
13	HM1-905	349	493 1/3
14	HM1-914	1803	297 1/3
15	LH-1769	1769	14 1/3



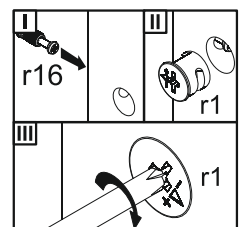
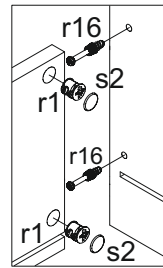
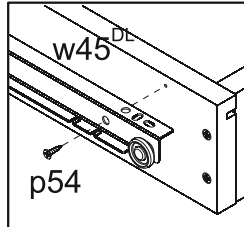
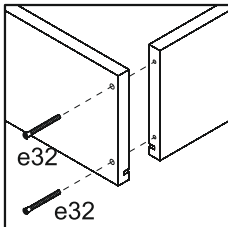
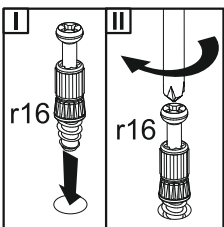
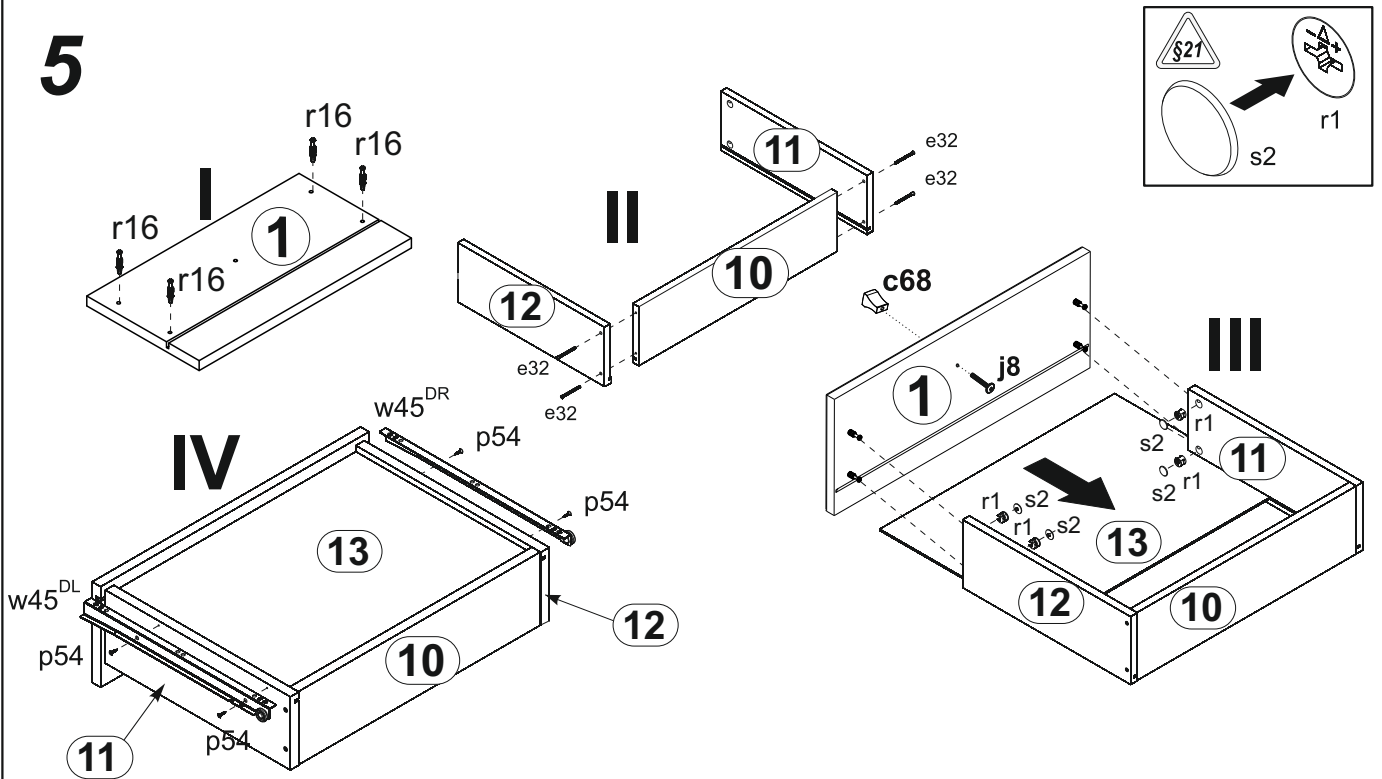




# 4



# 5



6

