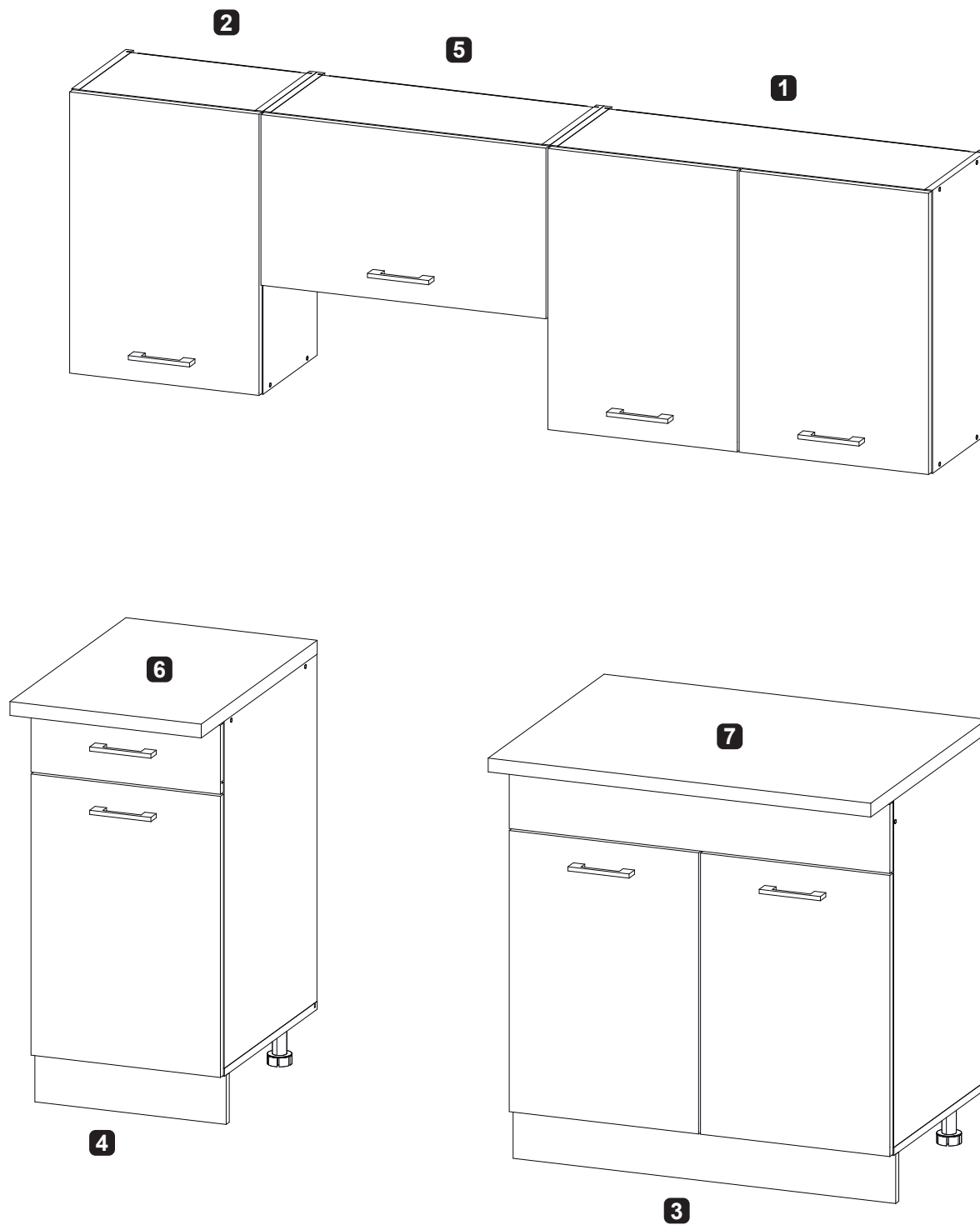
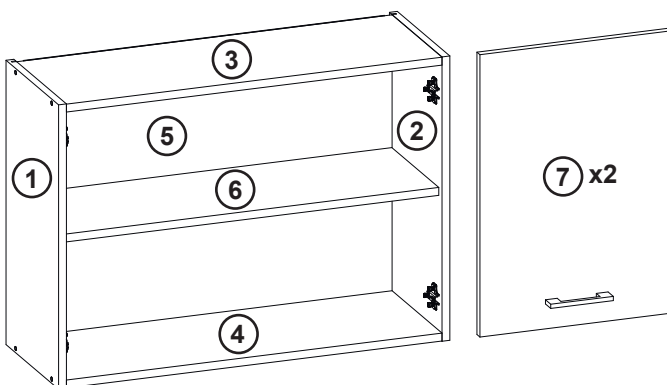
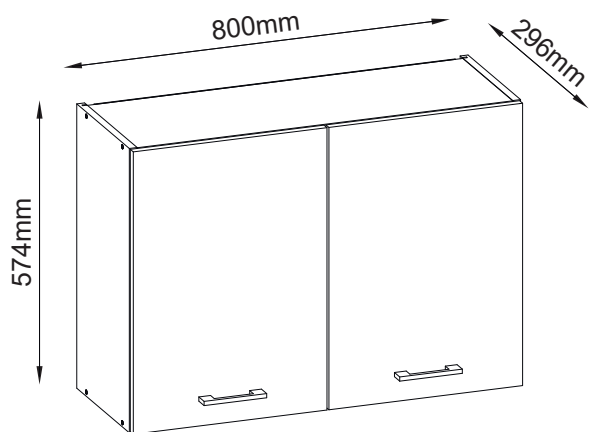


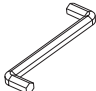



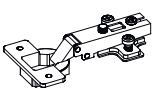

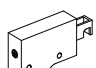
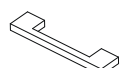





ESPERO 180



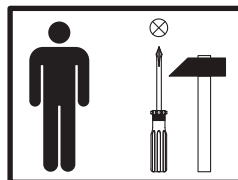
- 1** W80/57
- 2** W40/57
- 3** D80Z
- 4** D40S1
- 5** Wo60/35
- 6** Worktop 40
- 7** Worktop 80

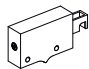




ESPERO W80_57

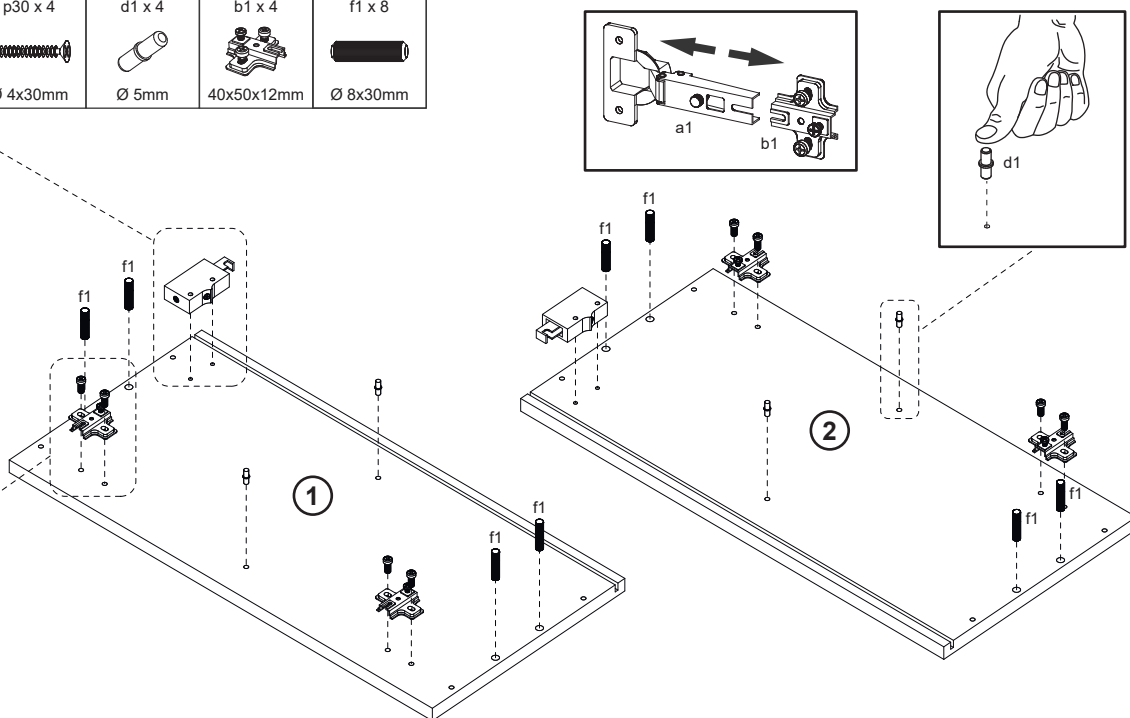
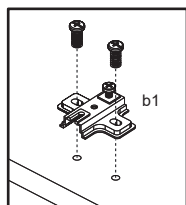
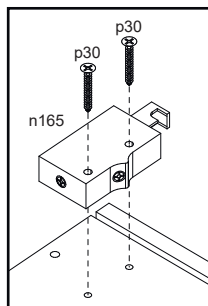


1x 4mm  z1	8x  Ø 6,3x50mm e27	8x  Ø 12mm s3
8x Ø 8x30mm  f1	4x Ø 35mm  ab1	4x Ø 5mm  d1
2x  n165	2x L=96/128mm  c238	6x 10x10x15mm  l2
8x Ø 2x20mm  g1	8x Ø 3,5x16mm  p51	4x Ø 4x25mm  p26
	4x Ø 4x30 mm  p30	

A	B (mm)		C	D
1	574	280	16	x1
2	574	280	16	x1
3	768	266	16	x1
4	768	280	16	x1
5	782	560	2.5	x1
6	767	250	16	x1
7	570	396	16	x2



1	n165 x 2 	p30 x 4 Ø 4x30mm 	d1 x 4 Ø 5mm 	b1 x 4 40x50x12mm 	f1 x 8 Ø 8x30mm 
----------	---	--	--	---	---



2

z1 x 1 4mm	e27 x 8 Ø 6,3x50mm	s3 x 8 Ø 12mm
---------------	-----------------------	------------------

z1
e27

s3

3

g1 x 8 Ø 2x20mm	l2 x 6 10x10x15mm
--------------------	----------------------

g1
8mm

l2

XX=YY=90°

4

a1 x 4 Ø 35mm	p51 x 8 Ø 3,5x16mm	c238 x 2 L=96/128mm	p26 x 4 Ø 4x25mm
------------------	-----------------------	------------------------	---------------------

a1
p51
c238
p26

Ø5

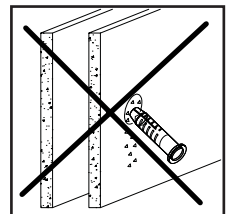
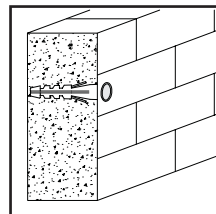
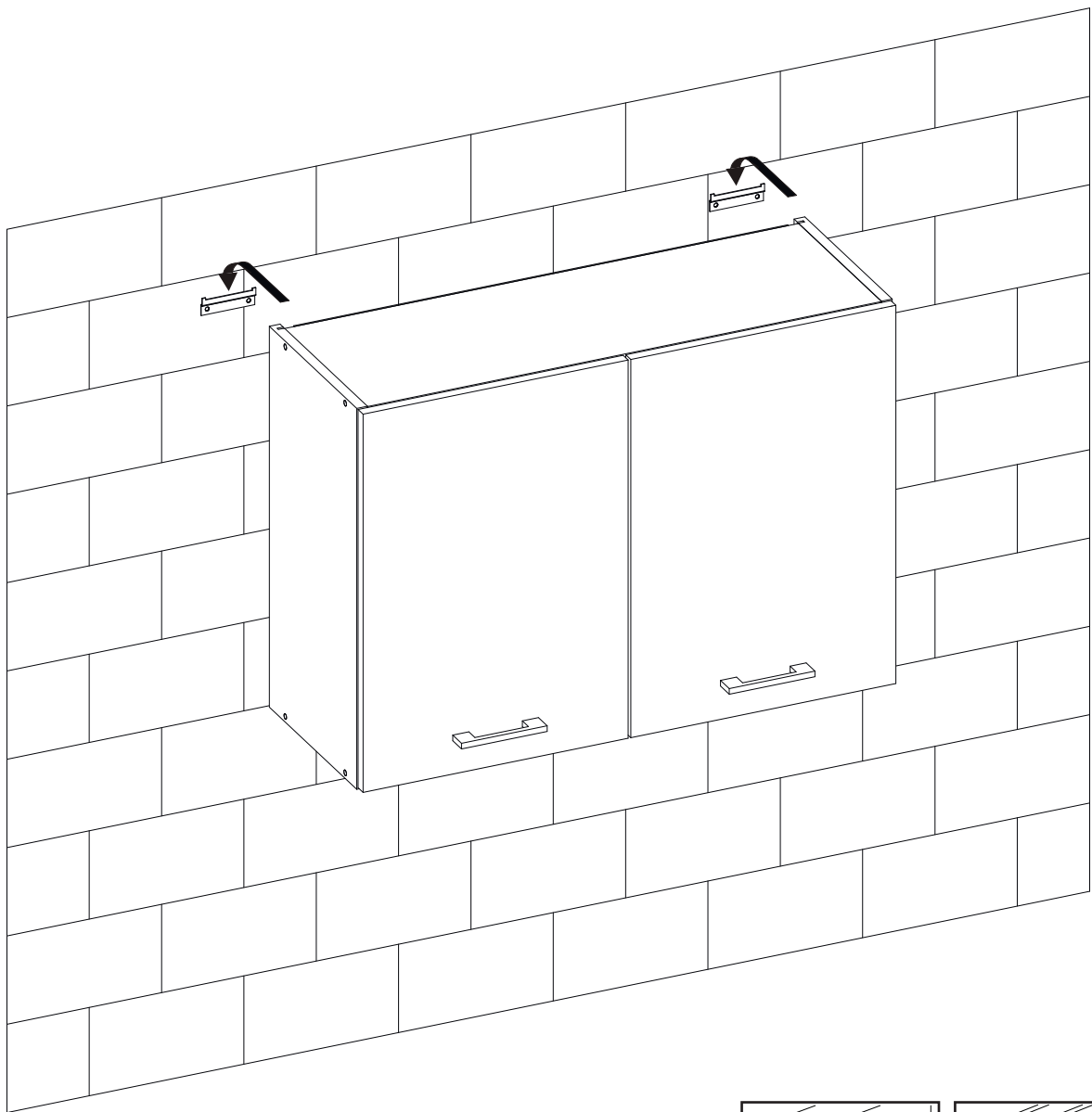
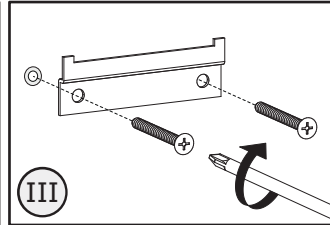
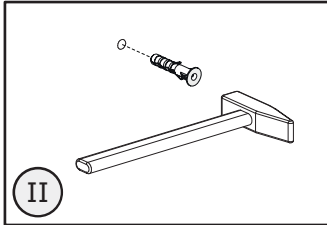
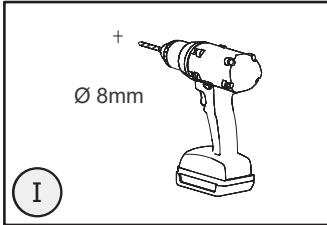
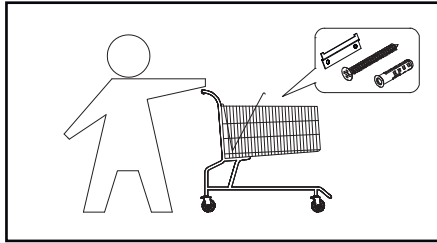
5

6

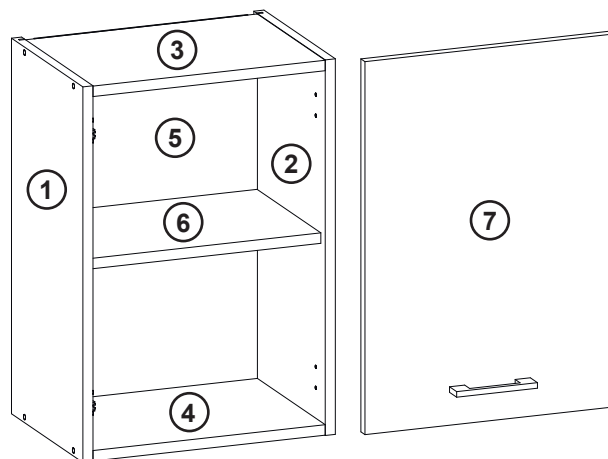
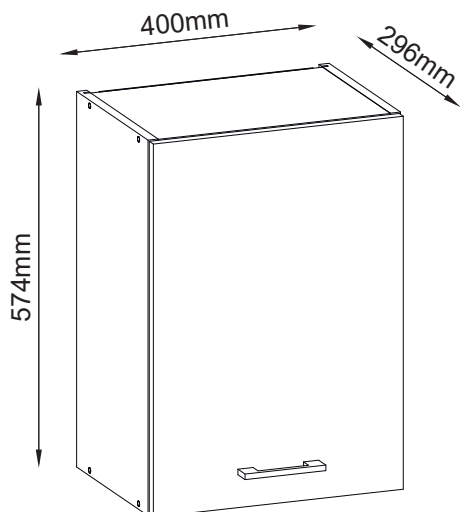
7

a1
b1

6

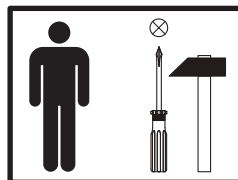


ESPERO W40_57

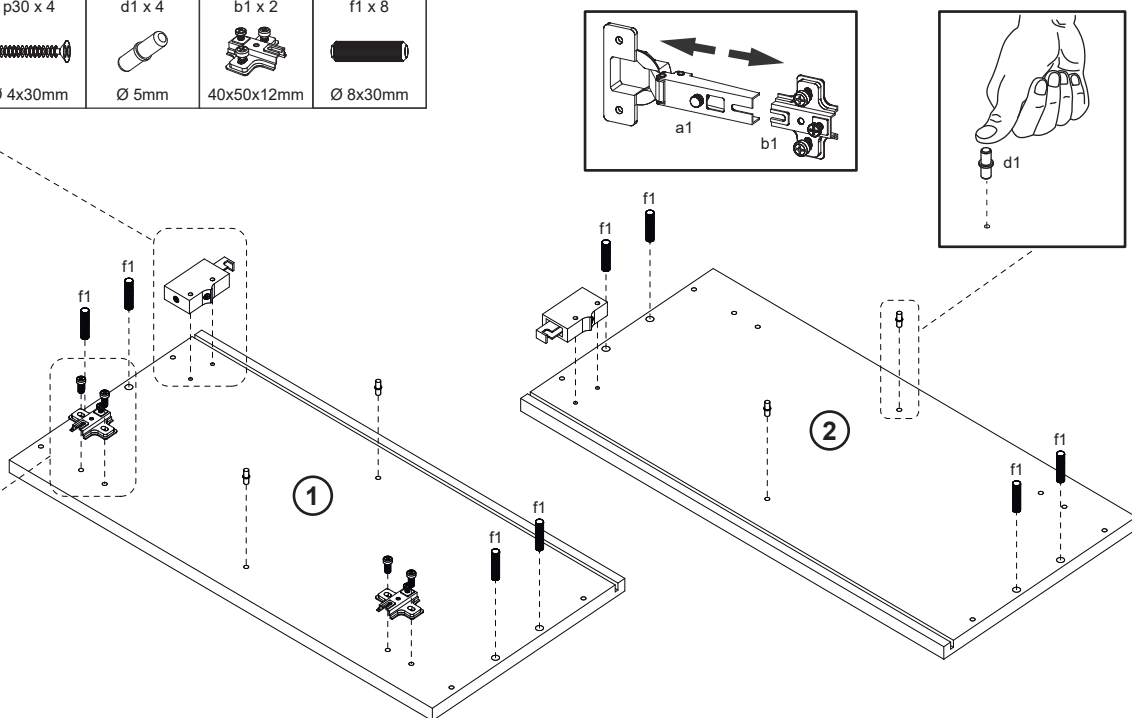
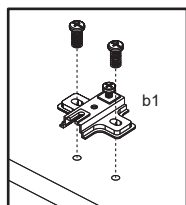
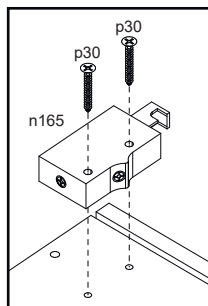


1x 4mm z1	8x Ø 6,3x50mm e27	8x Ø 12mm s3
8x Ø 8x30mm f1	2x Ø 35mm ab1	4x Ø 5mm d1
2x n165	1x L=96/128mm c238	5x 10x10x15mm l2
5x Ø 2x20mm g1	4x Ø 3,5x16mm p51	2x Ø 4x25mm p26
	4x Ø 4x30 mm p30	

A	B (mm)		C	D
1	574	280	16	x1 2/7
2	574	280	16	x1 2/7
3	368	266	16	x1 2/7
4	368	280	16	x1 2/7
5	564	382	2.5	x1 2/7
6	367	250	16	x1 2/7
7	570	396	16	x1 7/7



1	n165 x 2 	p30 x 4 Ø 4x30mm	d1 x 4 Ø 5mm	b1 x 2 40x50x12mm	f1 x 8 Ø 8x30mm
----------	--------------	-------------------------	---------------------	--------------------------	------------------------



2	z1 x 1 4mm	e27 x 8 Ø 6,3x50mm	s3 x 8 Ø 12mm
----------	---------------	-----------------------	------------------

Diagram 2 illustrates the assembly of the cabinet base. It shows a perspective view of the base with parts 2, 4, and 5. Arrows indicate the direction of assembly. A detail shows a Z-profile (z1) being inserted into a hole in part 2. Another detail shows a spring (e27) being inserted into a hole in part 5, with a washer (s3) on top.

3	g1 x 5 Ø 2x20mm	l2 x 5 10x10x15mm
----------	--------------------	----------------------

Diagram 3 illustrates the assembly of the cabinet top. It shows a perspective view of the top with parts 2 and 4. Arrows indicate the direction of assembly. A detail shows a screw (g1) being inserted into a hole in part 2, with a depth of 8mm. Another detail shows a corner bracket (l2) being attached to the top edge of part 4.

XX=YY=90°

4	a1 x 2 Ø 35mm	p51 x 4 Ø 3,5x16mm	c238 x 1 L=96/128mm	p26 x 2 Ø 4x25mm
----------	------------------	-----------------------	------------------------	---------------------

Diagram 4 illustrates the assembly of the cabinet door. It shows a perspective view of the door (7) with parts a1, p51, c238, and p26. Arrows indicate the direction of assembly. A detail shows a hinge (a1) being attached to the door with screws (p51). Another detail shows a hinge (a1) being attached to the cabinet frame with screws (p51). A third detail shows a hinge (a1) being attached to the door with a screw (Ø5).

5	b1	a1
----------	----	----

Diagram 5 illustrates the assembly of the cabinet door. It shows a perspective view of the door (7) with parts a1 and b1. Arrows indicate the direction of assembly. A detail shows a hinge (a1) being attached to the door with a screw (b1).

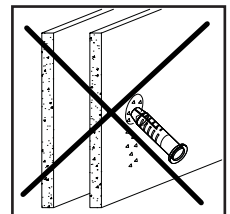
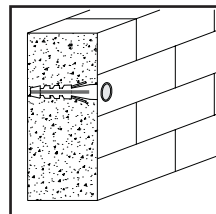
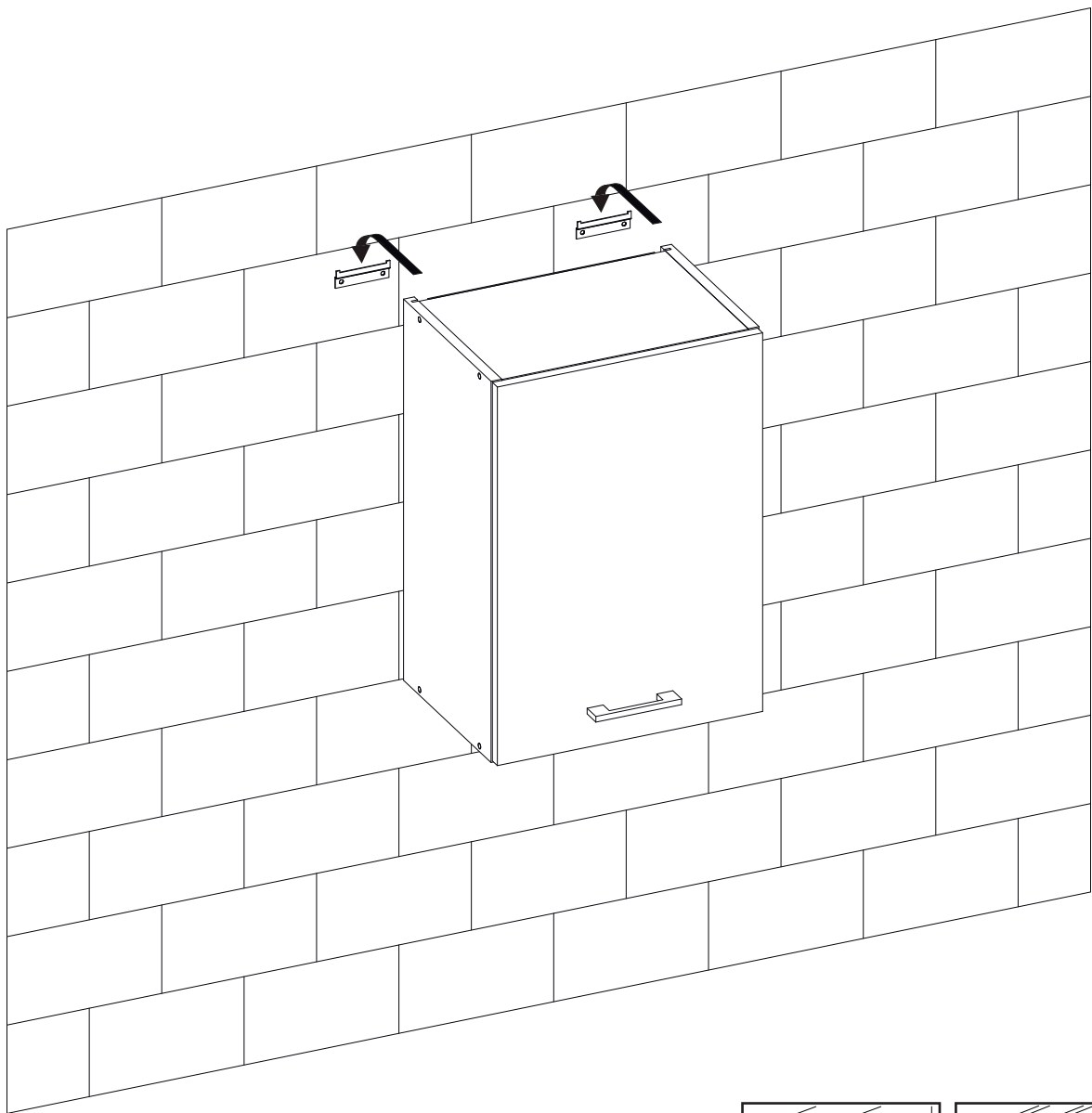
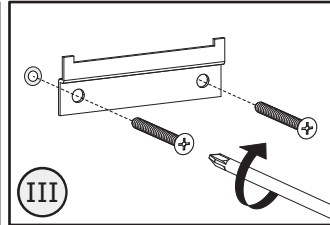
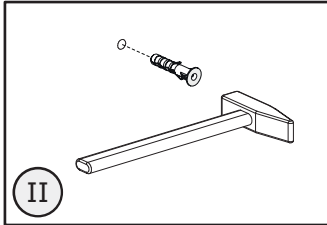
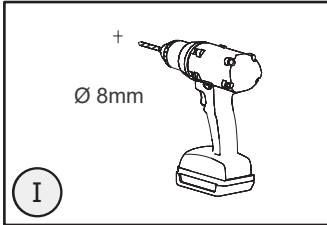
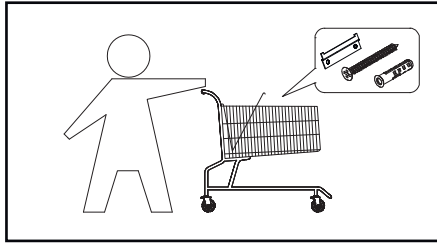
R

Diagram R illustrates the assembly of the cabinet door. It shows a perspective view of the door (7) with parts a1, p51, c238, and p26. Arrows indicate the direction of assembly.

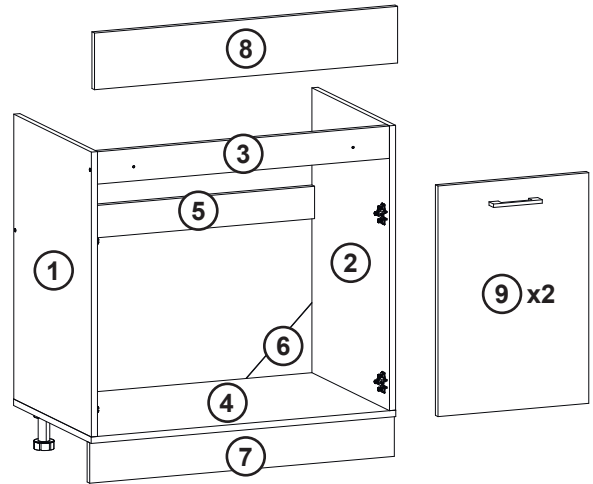
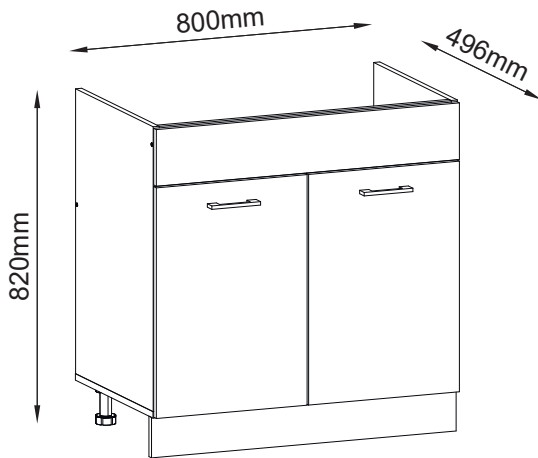
R

Diagram R illustrates the assembly of the cabinet door. It shows a perspective view of the door (7) with parts a1, p51, c238, and p26. Arrows indicate the direction of assembly.

6

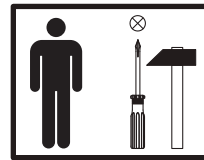


ESPERO D80z

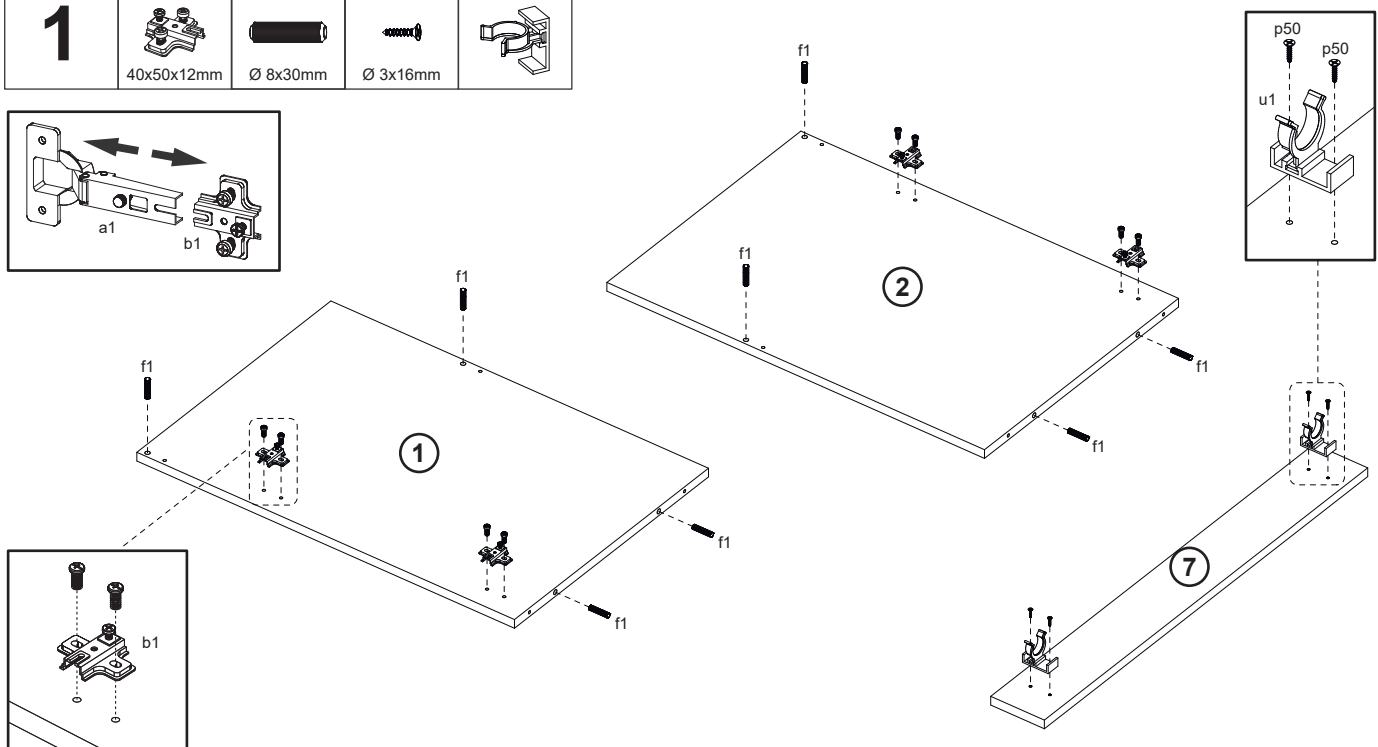
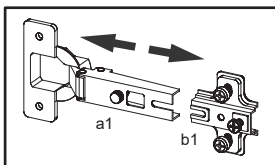


1x 4mm z1	8x Ø 6,3x50mm e27	8x Ø 12mm s3
8x Ø 8x30mm f1	4x Ø 35mm ab1	2x L=96/128mm c238
4x h=100mm k52	2x u1	12x Ø 2x20mm g1
4x Ø 4x25mm p26	20x Ø 3x16mm p50	8x Ø 3,5x16mm p51
	2x Ø 4x30 mm p30	

A	B (mm)		C	D
1	704	480	16	x1 3/7
2	704	480	16	x1 3/7
3	767	80	16	x1 3/7
4	800	480	16	x1 3/7
5	767	80	16	x1 3/7
6	200	200	2.5	x2 3/7
7	800	100	16	x1 3/7
8	796	140	16	x1 7/7
9	570	396	16	x2 7/7



1	b1 x 4 40x50x12mm	f1 x 8 Ø 8x30mm	p50 x 4 Ø 3x16mm	u1 x 2
----------	--------------------------	------------------------	-------------------------	------------



2	z1 x 1 4mm	e27 x 4 Ø 6,3x50mm	s3 x 4 Ø 12mm
----------	---------------	-----------------------	------------------

3	z1 x 1 4mm	e27 x 4 Ø 6,3x50mm	s3 x 4 Ø 12mm
----------	---------------	-----------------------	------------------

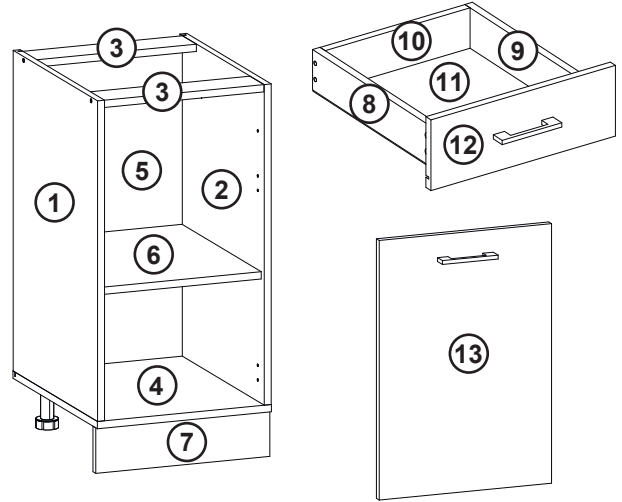
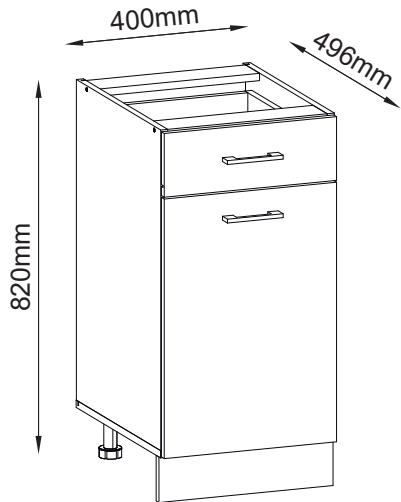
4	g1 x 12 Ø 2x20mm	p50 x 16 Ø 3x16mm
----------	---------------------	----------------------

p52 x 4 h=100mm

5	a1 x 4 Ø 35mm	p51 x 8 Ø 3,5x16mm	c238 x 2 L=96/128mm	p26 x 4 Ø 4x25mm
----------	------------------	-----------------------	------------------------	---------------------

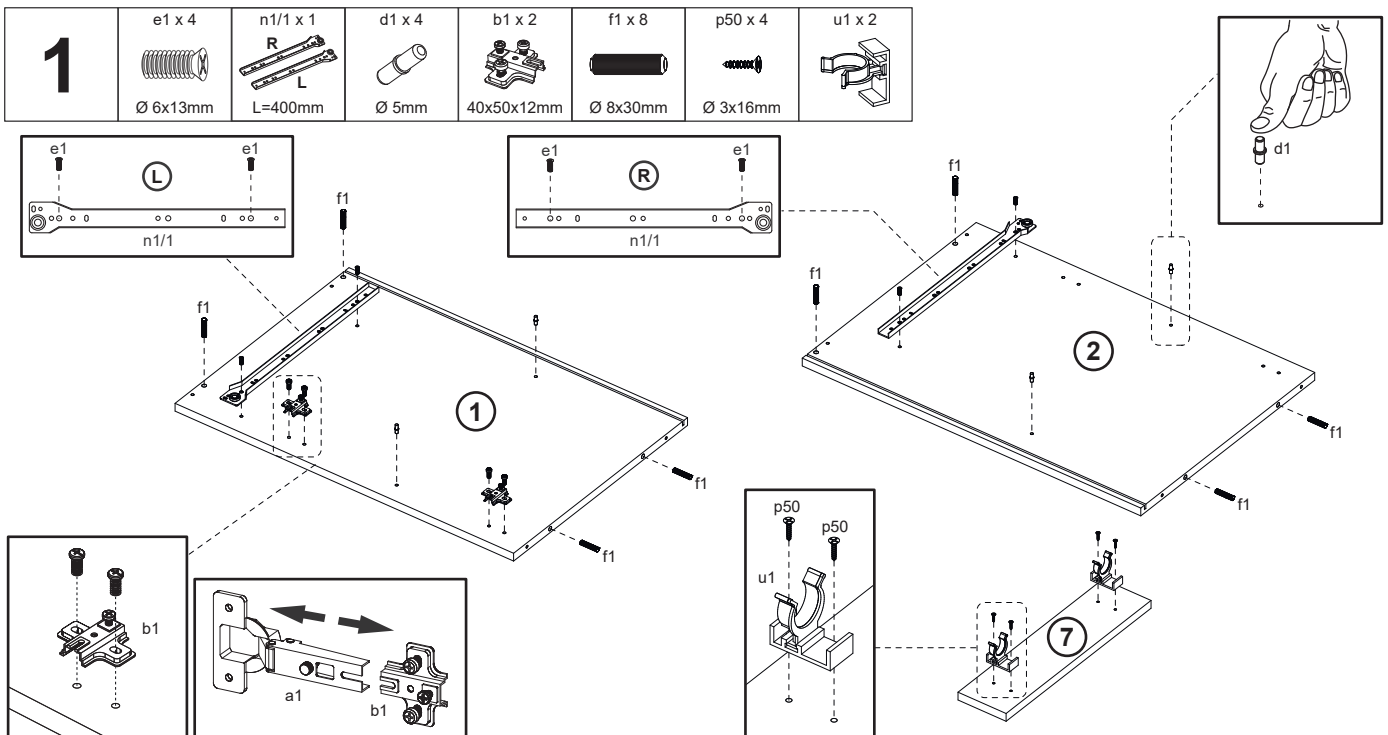
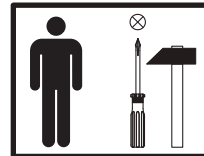
6	p30 x 2 Ø 4x30mm
----------	---------------------

ESPERO D40s1



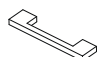



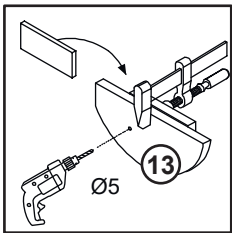
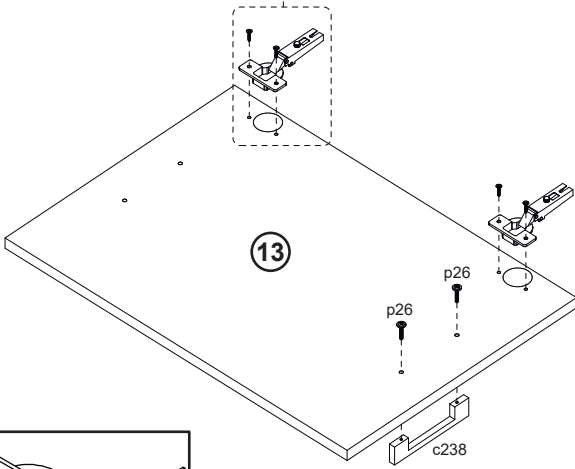
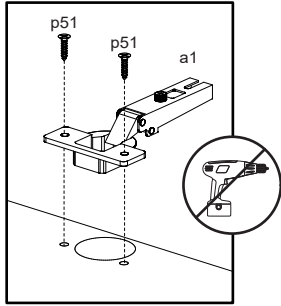
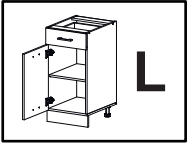
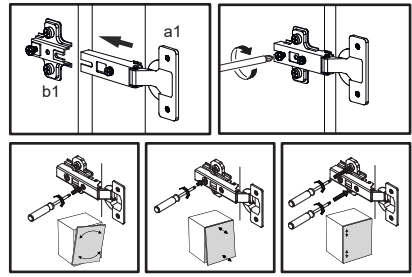
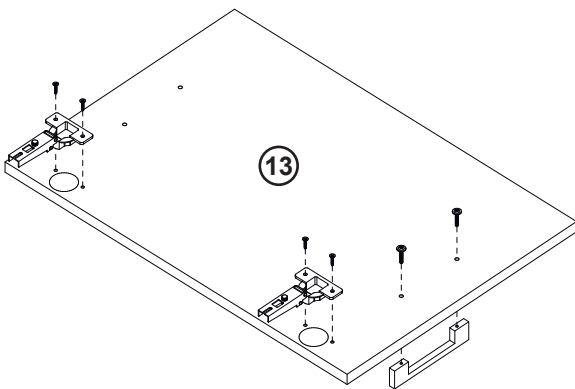
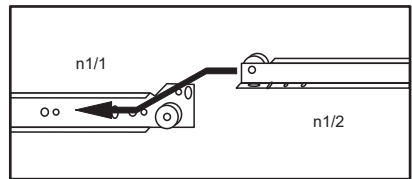
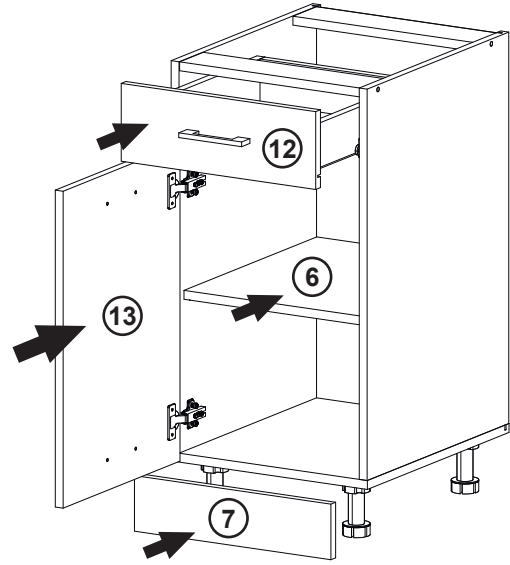
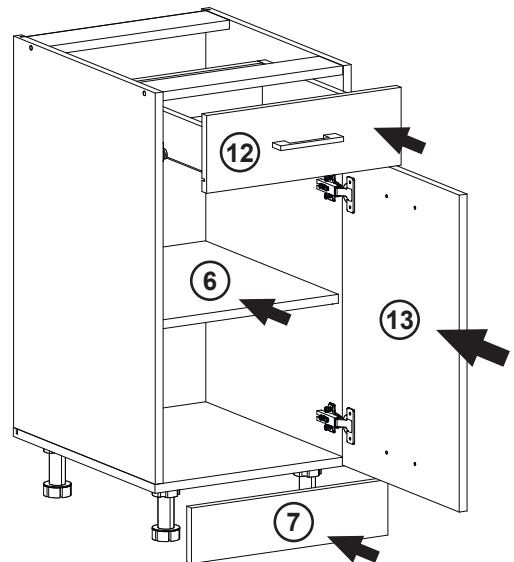
1x 4mm z1	12x Ø 6,3x50mm e27	12x Ø 12mm s3
8x Ø 8x30mm f1	4x 45mm r23	4x Ø 15x12mm r1
4x Ø 20mm s1	2x Ø 35mm ab1	4x Ø 5mm d1
1x L=400mm n1/1	1x L=400mm n1/2	2x L=96/128mm c238
4x h=100mm k52	2x u1	7x 10x10x15mm i2
10x Ø 2x20mm g1	24x Ø 3x16mm p50	4x Ø 3,5x16mm p51
4x Ø 4x25mm p26		4x Ø 6x13mm e1

A	B (mm)		C	D	
1	704	480	16	x1	4/7
2	704	480	16	x1	4/7
3	367	80	16	x2	4/7
4	400	480	16	x1	4/7
5	710	382	2.5	x1	4/7
6	366	450	16	x1	4/7
7	400	100	16	x1	4/7
8	400	80	16	x1	4/7
9	400	80	16	x1	4/7
10	311	80	16	x1	4/7
11	406	342	2.5	x1	4/7
12	396	140	16	x1	7/7
13	570	396	16	x1	7/7

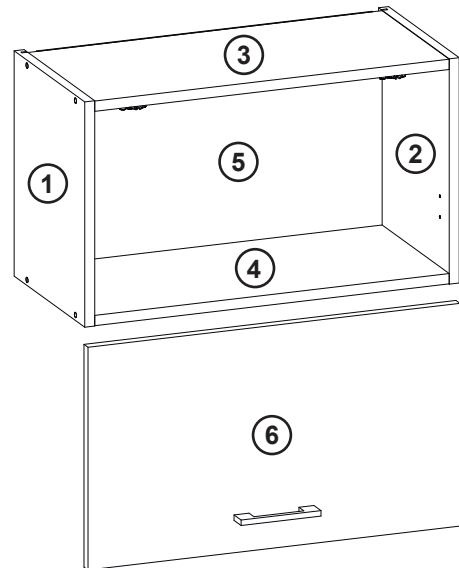
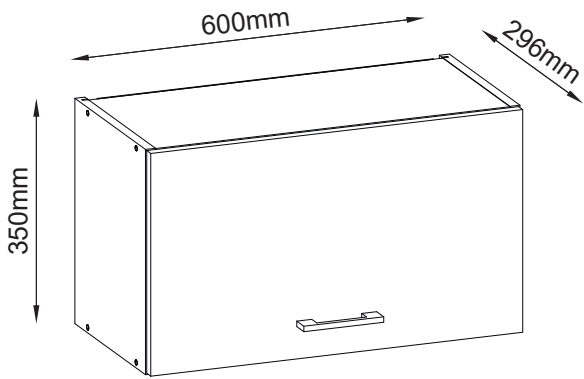


6

a1 x 2  Ø 35mm	p51 x 4  Ø 3,5x16mm	c238 x 1  L=96/128mm	p26 x 2  Ø 4x25mm
---	--	---	--

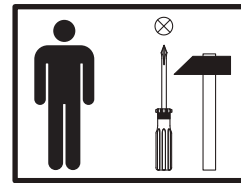
**7****L****R**

ESPERO Wo60_35

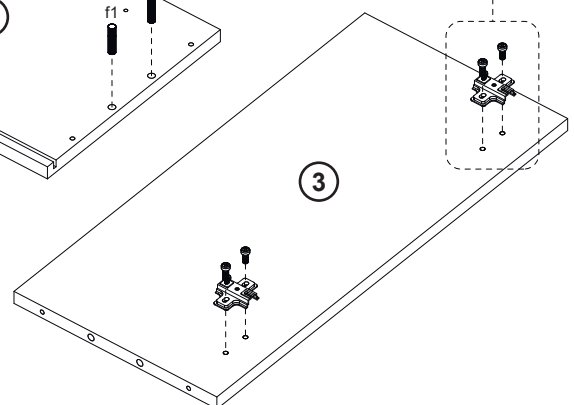
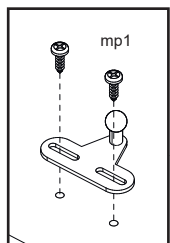
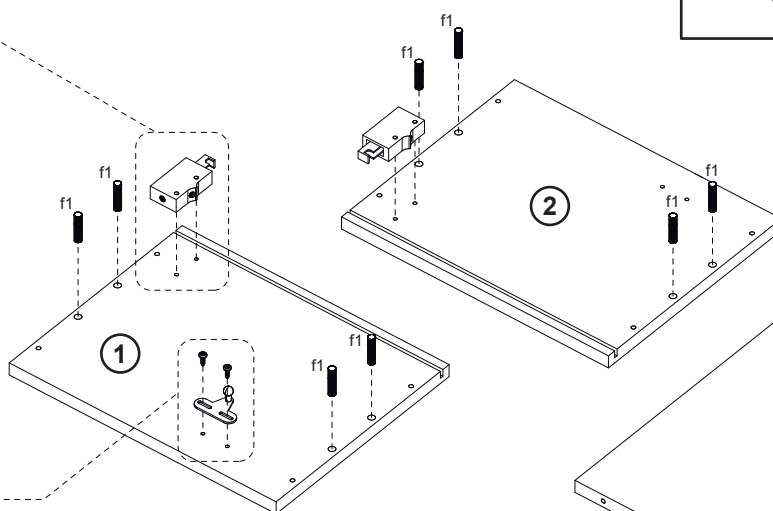
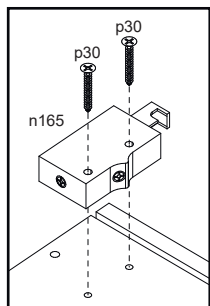
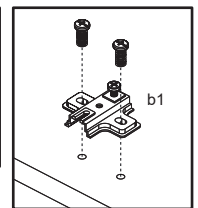
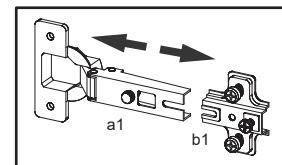


1x 4mm z1	8x Ø 6,3x50mm e27	8x Ø 12mm s3
8x Ø 8x30mm f1	2x Ø 35mm ab1	1x x4 mp
2x n165	1x L=96/128mm c238	4x 10x10x15mm l2
6x Ø 2x20mm g1	4x Ø 3,5x16mm p51	2x Ø 4x25mm p26
	4x Ø 4x30 mm p30	

A	B (mm)		C	D
1	350	280	16	x1 5/7
2	350	280	16	x1 5/7
3	568	266	16	x1 5/7
4	568	280	16	x1 5/7
5	582	340	2.5	x1 5/7
6	596	346	16	x1 7/7



1	n165 x 2 	p30 x 4 Ø 4x30mm 	mp1 x 1 x2 	b1 x 2 40x50x12mm 	f1 x 8 Ø 8x30mm
----------	--------------	-------------------------	-------------------	--------------------------	------------------------



2	z1 x 1 4mm	e27 x 8 Ø 6,3x50mm	s3 x 8 Ø 12mm
----------	---------------	-----------------------	------------------

3	g1 x 6 Ø 2x20mm	l2 x 4 10x10x15mm
----------	--------------------	----------------------

4	a1 x 2 Ø 35mm	p51 x 4 Ø 3,5x16mm	c238 x 1 L=96/128mm	p26 x 2 Ø 4x25mm	mp2 x 1 x2
----------	------------------	-----------------------	------------------------	---------------------	---------------

L

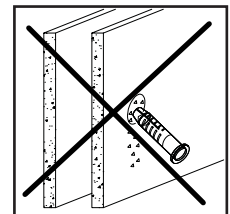
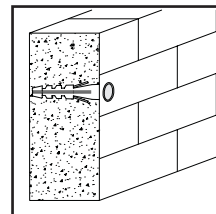
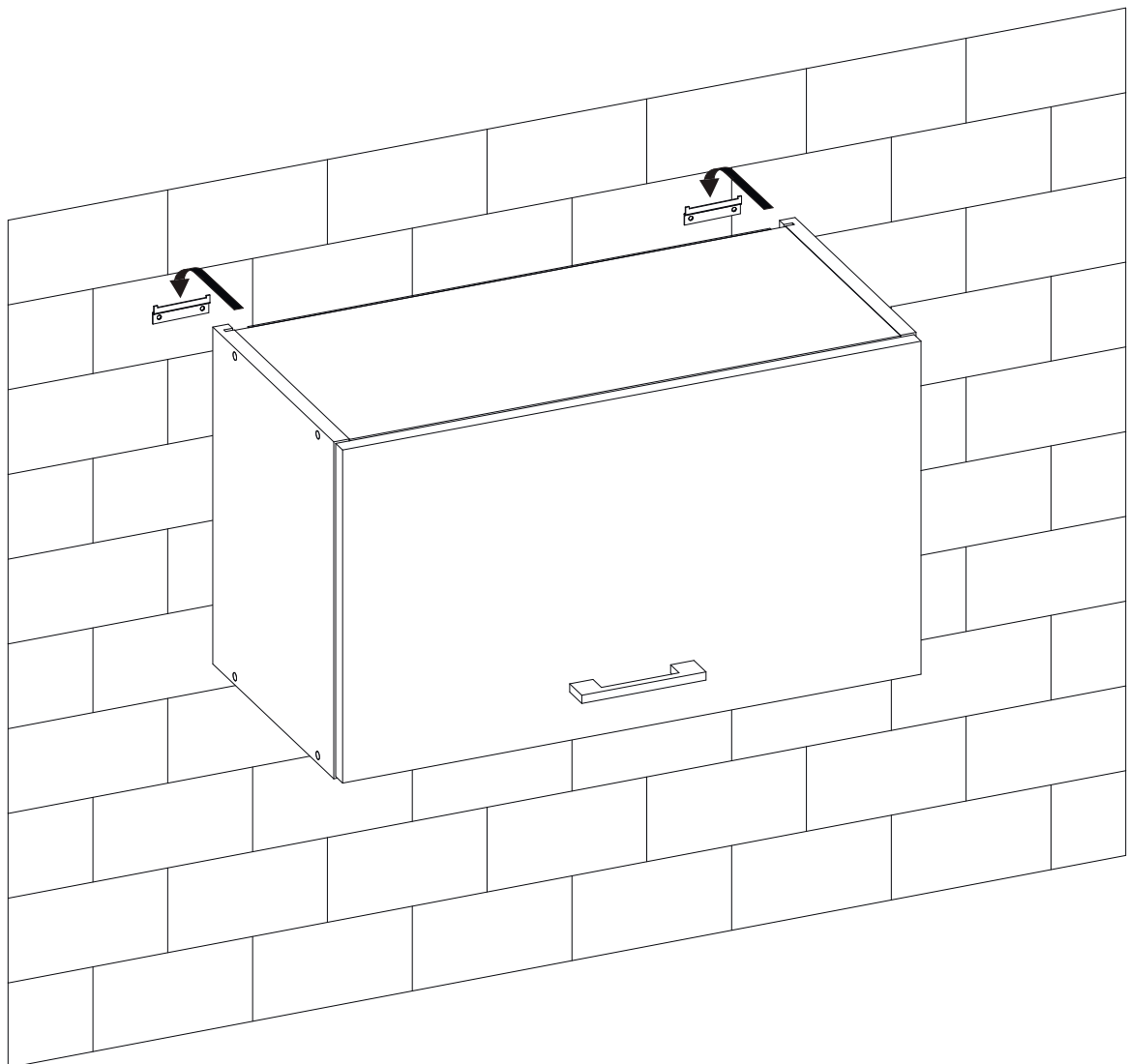
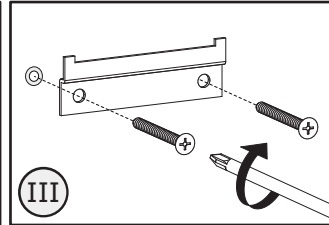
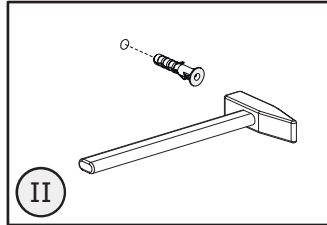
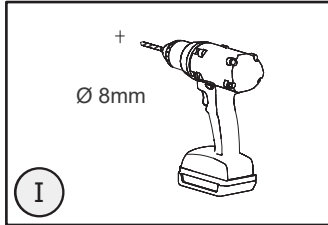
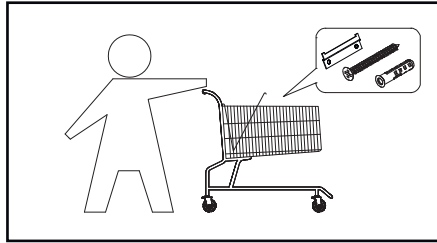
5	mp3 x 1
----------	---------

L

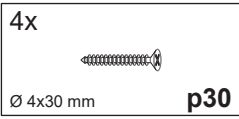
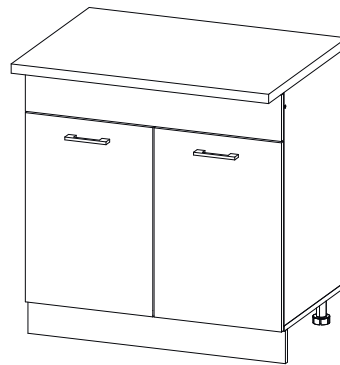
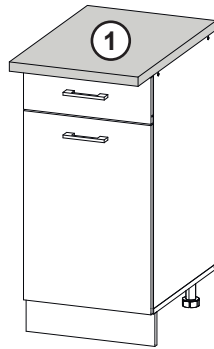
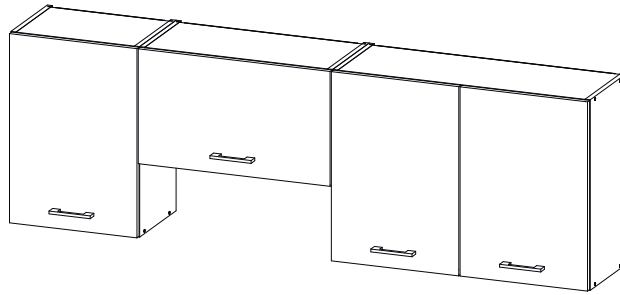
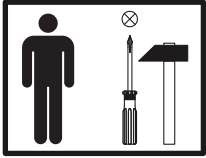
R

R

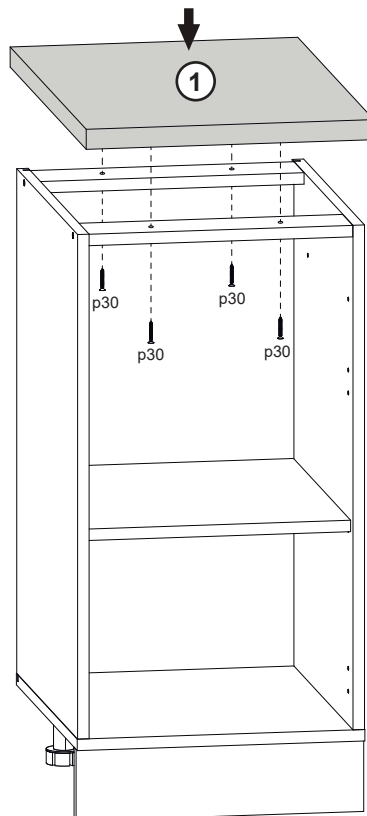
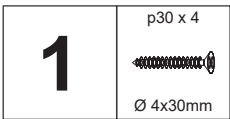
6



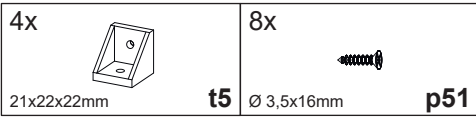
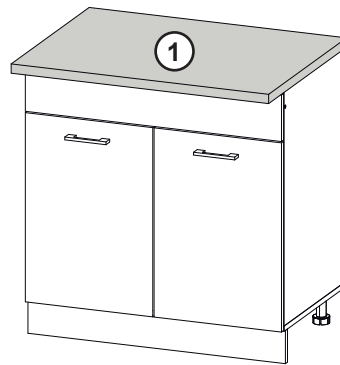
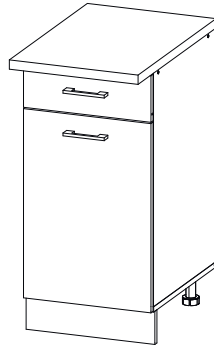
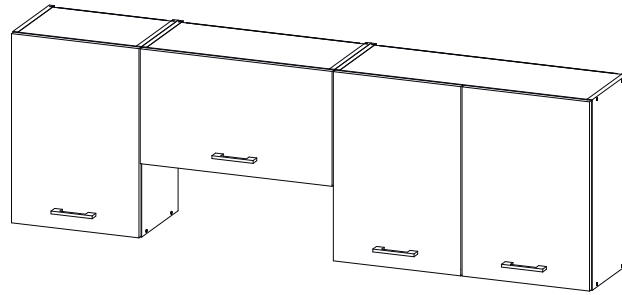
ESPERO Worktop 40



A	B (mm)			C	D
1	400	600	28	x1	6/7



ESPERO Worktop 80



A	B (mm)			C	D
1	800	600	28	x1	6/7

