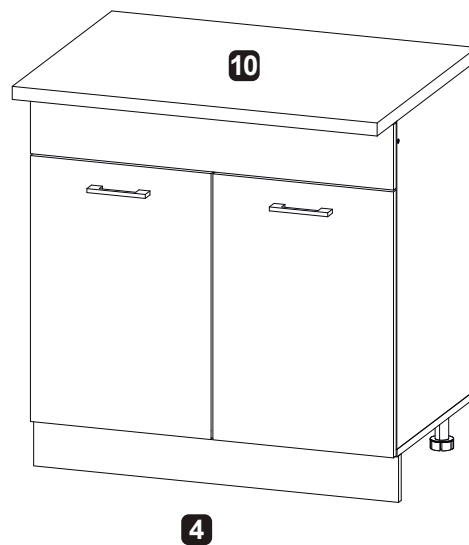
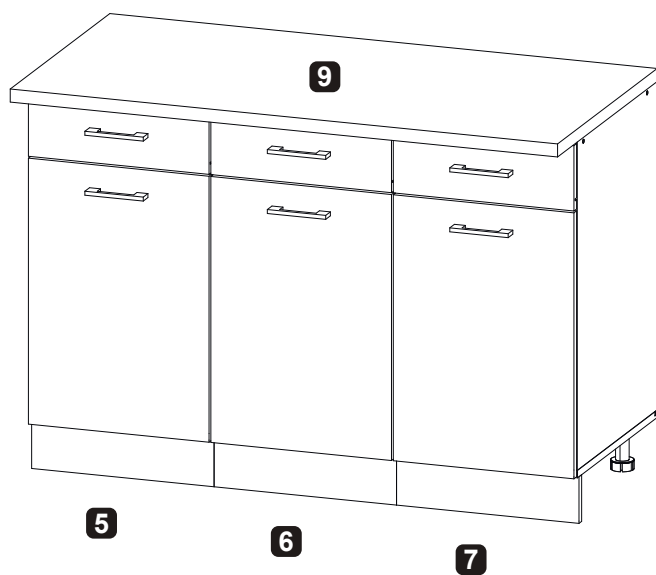
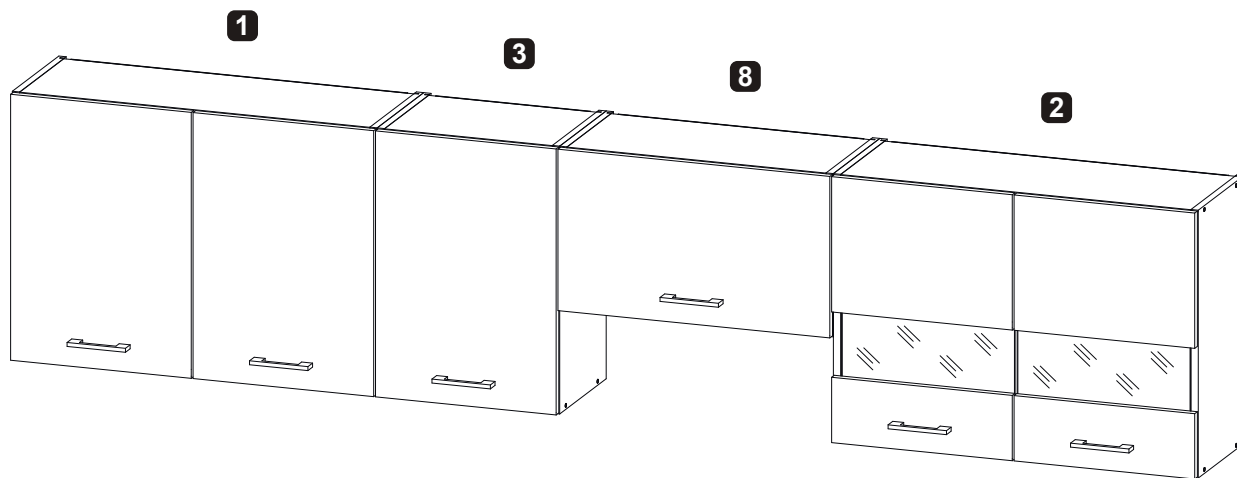
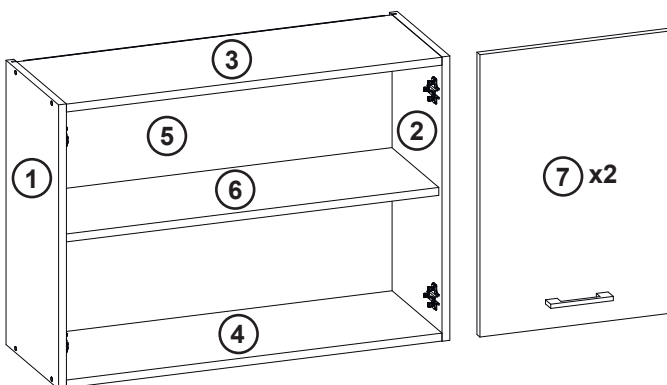
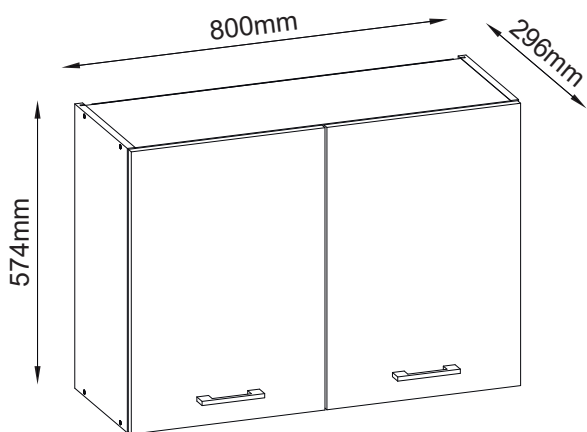


ESPERO 260



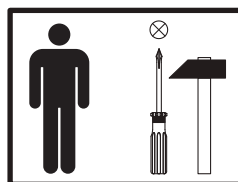
- 1 W80/57
- 2 W80W/57
- 3 W40/57_F
- 4 D80Z
- 5 D40S1
- 6 D40S1
- 7 D40S1_F
- 8 Wo60/35
- 9 Worktop 120
- 10 Worktop 80

ESPERO W80_57

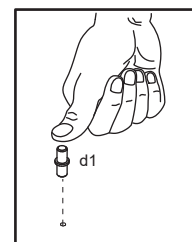
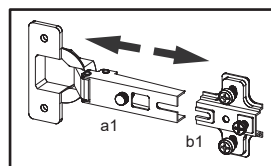
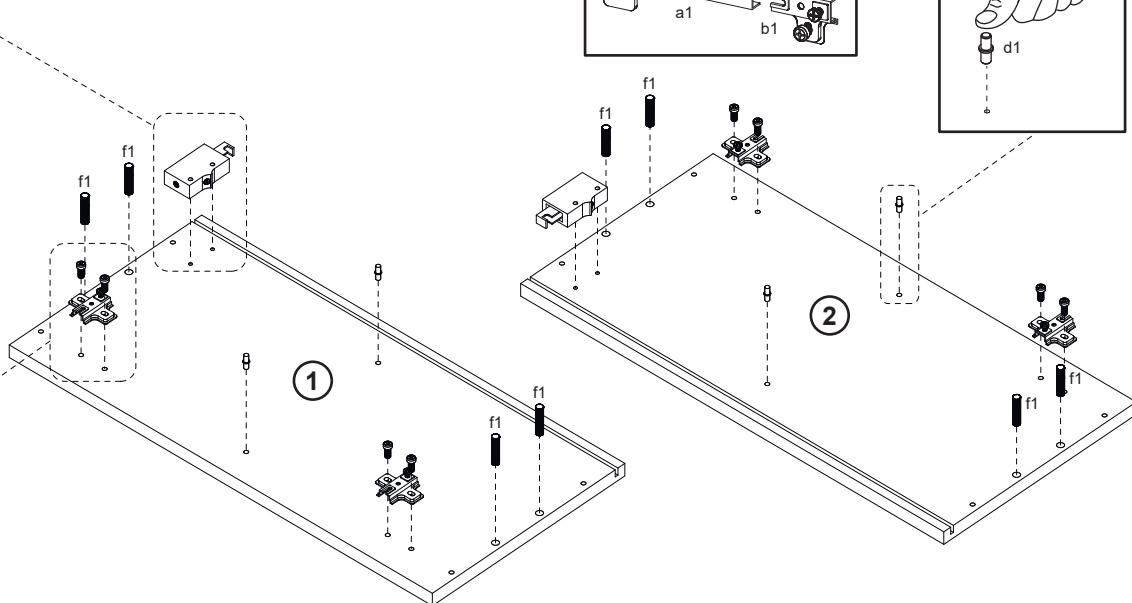
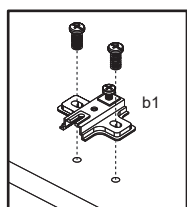
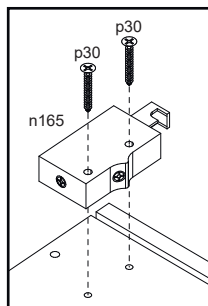


1x 4mm z1	8x Ø 6,3x50mm e27	8x Ø 12mm s3
8x Ø 8x30mm f1	4x Ø 35mm ab1	4x Ø 5mm d1
2x n165	2x L=96/128mm c238	6x 10x10x15mm l2
8x Ø 2x20mm g1	8x Ø 3,5x16mm p51	4x Ø 4x25mm p26
	4x Ø 4x30 mm p30	

A	B (mm)		C	D
1	574	280	16	x1 1/10
2	574	280	16	x1 1/10
3	768	266	16	x1 1/10
4	768	280	16	x1 1/10
5	782	560	2.5	x1 1/10
6	767	250	16	x1 1/10
7	570	396	16	x2 10/10



1	n165 x 2 	p30 x 4 Ø 4x30mm	d1 x 4 Ø 5mm	b1 x 4 40x50x12mm	f1 x 8 Ø 8x30mm
----------	--------------	-------------------------	---------------------	--------------------------	------------------------



2

z1 x 1 4mm	e27 x 8 Ø 6,3x50mm	s3 x 8 Ø 12mm
---------------	-----------------------	------------------

z1
e27

s3

3

g1 x 8 Ø 2x20mm	l2 x 6 10x10x15mm
--------------------	----------------------

g1
l2

8mm

XX=YY=90°

4

a1 x 4 Ø 35mm	p51 x 8 Ø 3,5x16mm	c238 x 2 L=96/128mm	p26 x 4 Ø 4x25mm
------------------	-----------------------	------------------------	---------------------

a1
p51
c238
p26

Ø 5

a1
p51

5

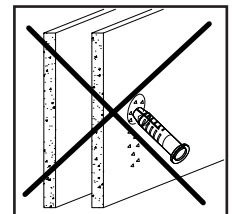
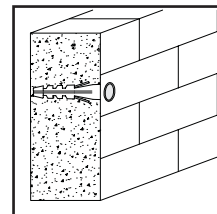
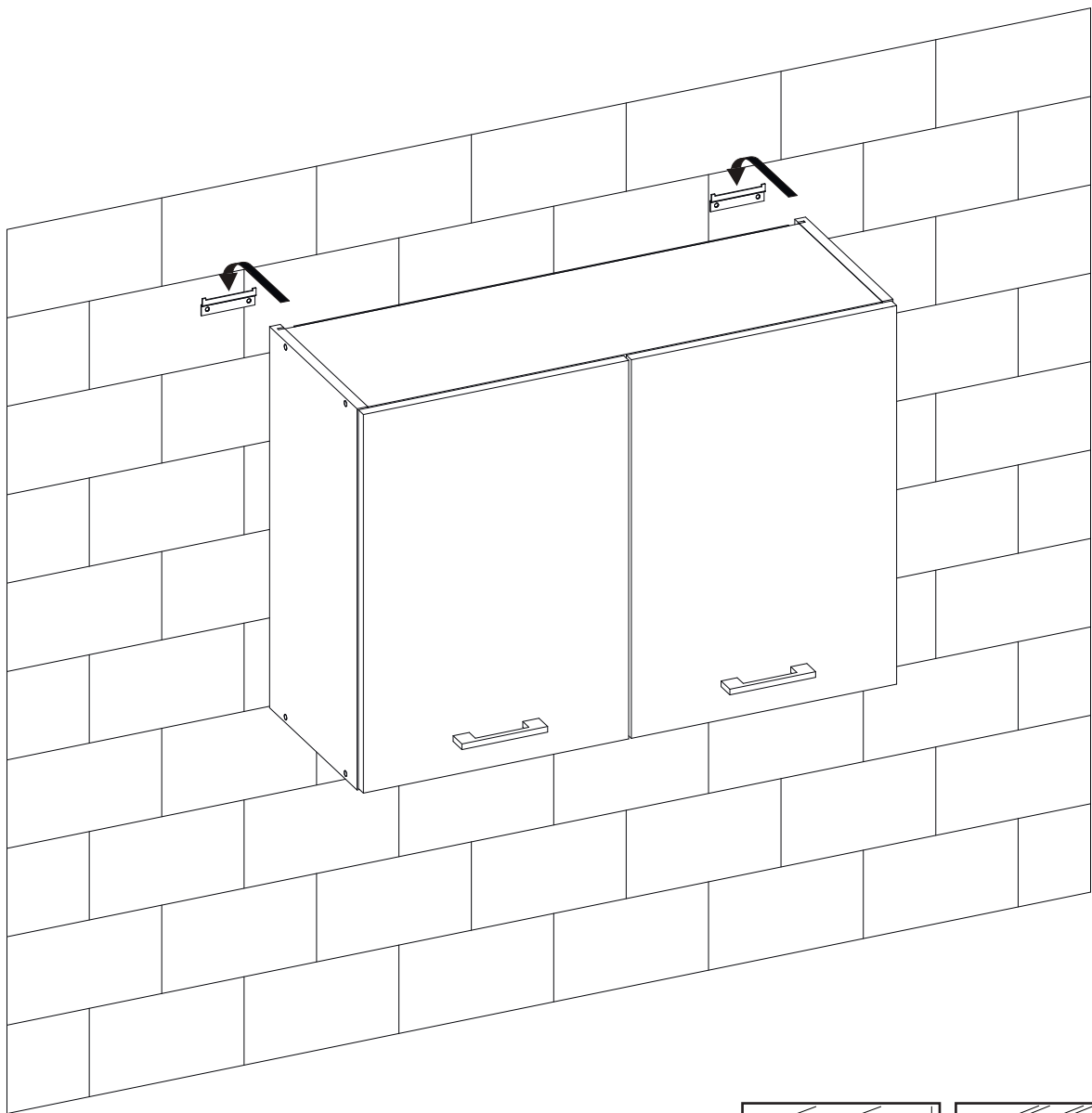
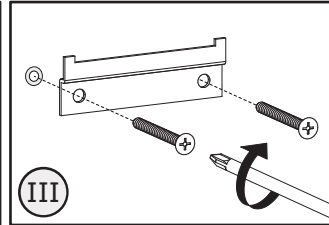
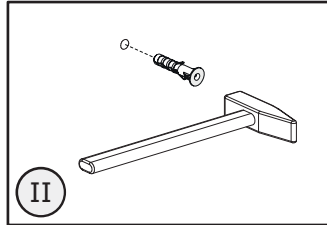
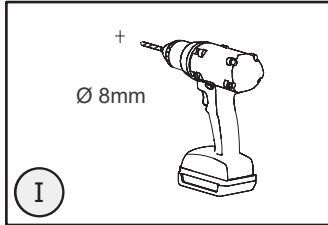
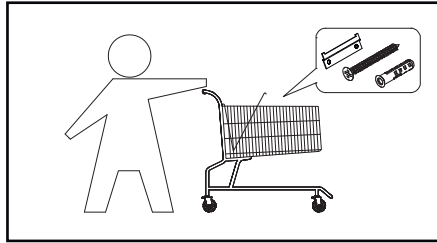
7

6

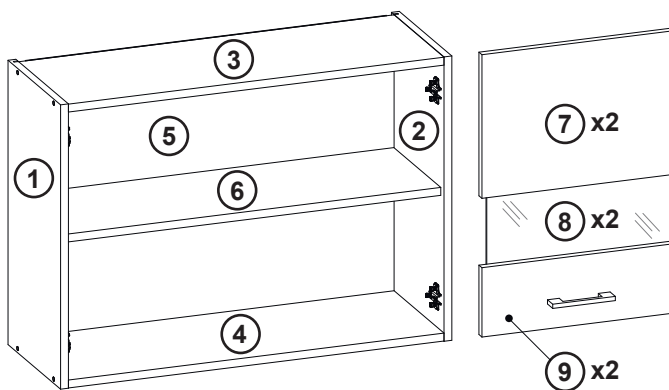
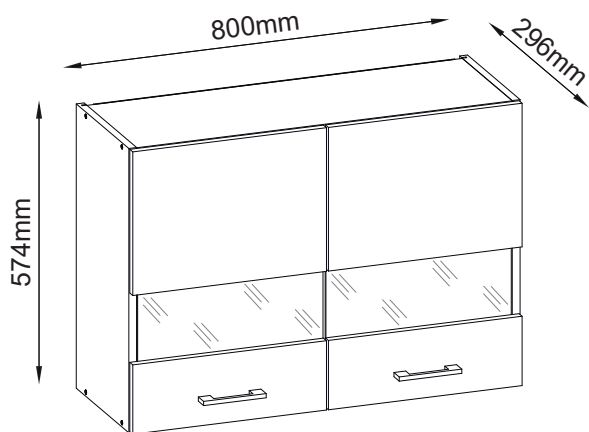
7

a1
b1

6

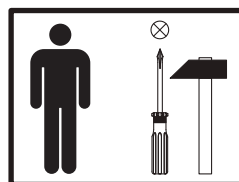


ESPERO W80W_57

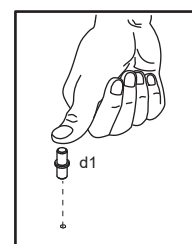
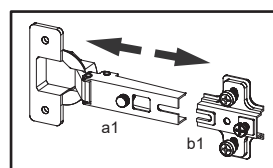
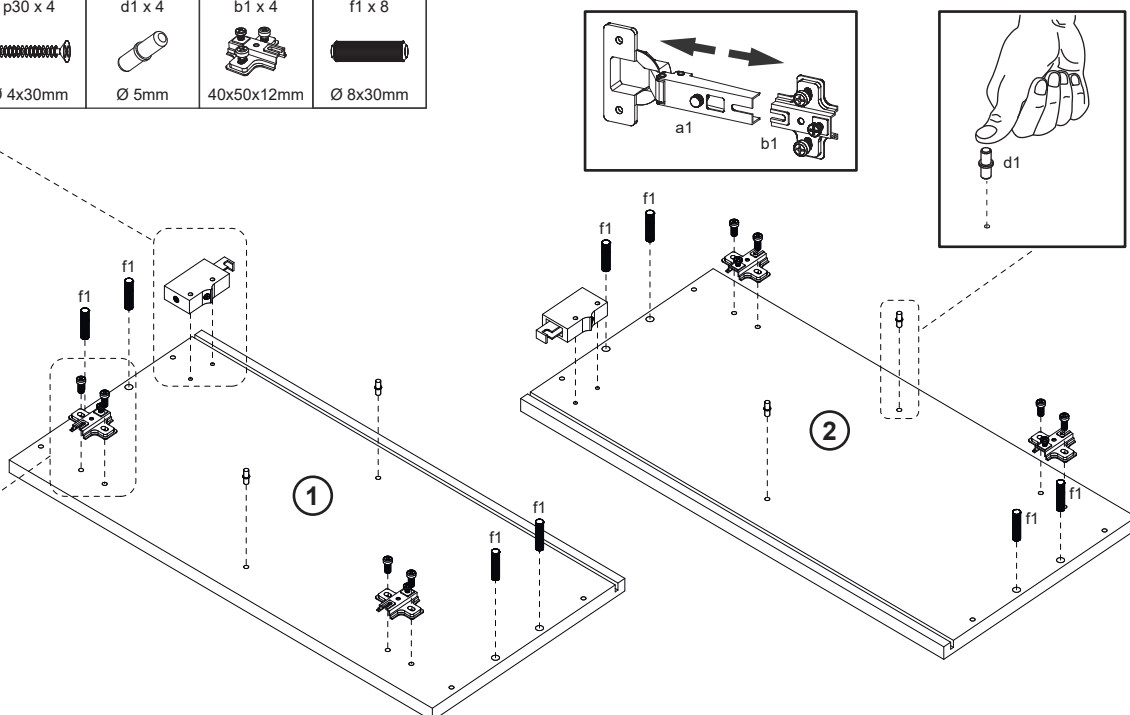
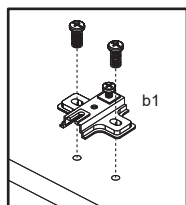
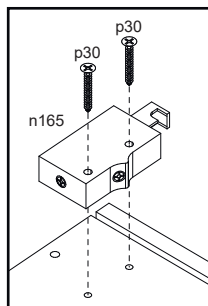


1x 4mm z1	8x Ø 6,3x50mm e27	8x Ø 12mm s3
8x Ø 8x30mm f1	4x Ø 35mm ab1	4x Ø 5mm d1
2x n165	2x L=96/128mm c238	6x 10x10x15mm l2
8x Ø 2x20mm g1	8x Ø 3,5x16mm p51	4x Ø 4x25mm p26
4x Ø 4x30 mm p30	8x 10x6x10mm d6	8x Ø 4,2x16mm p21

A	B (mm)		C	D
1	574	280	16	x1 2/10
2	574	280	16	x1 2/10
3	768	266	16	x1 2/10
4	768	280	16	x1 2/10
5	782	560	2.5	x1 2/10
6	767	250	16	x1 2/10
7	396	290	16	x2 10/10
8	379	200	4	x2 10/10
9	396	140	16	x2 10/10



1	n165 x 2 	p30 x 4 Ø 4x30mm	d1 x 4 Ø 5mm	b1 x 4 40x50x12mm	f1 x 8 Ø 8x30mm
----------	--------------	-------------------------	---------------------	--------------------------	------------------------



2

z1 x 1 4mm	e27 x 8 Ø 6,3x50mm	s3 x 8 Ø 12mm
---------------	-----------------------	------------------

z1

e27

s3

3

g1 x 8 Ø 2x20mm	l2 x 6 10x10x15mm
--------------------	----------------------

g1

l2

8mm

XX=YY=90°

4

a1 x 4 Ø 35mm	p51 x 8 Ø 3,5x16mm	c238 x 2 L=96/128mm	p26 x 4 Ø 4x25mm	d6 x 8 10x6x10mm	p21 x 8 Ø 4,2x16mm
------------------	-----------------------	------------------------	---------------------	---------------------	-----------------------

a1

p51

c238

p26

p26

p26

p26

p51

a1

XX=YY=90°

p21

d6

XX=YY=90°

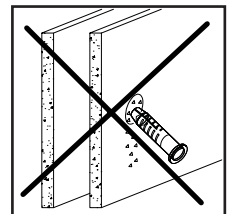
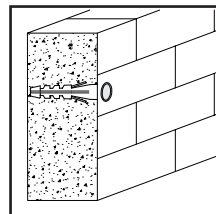
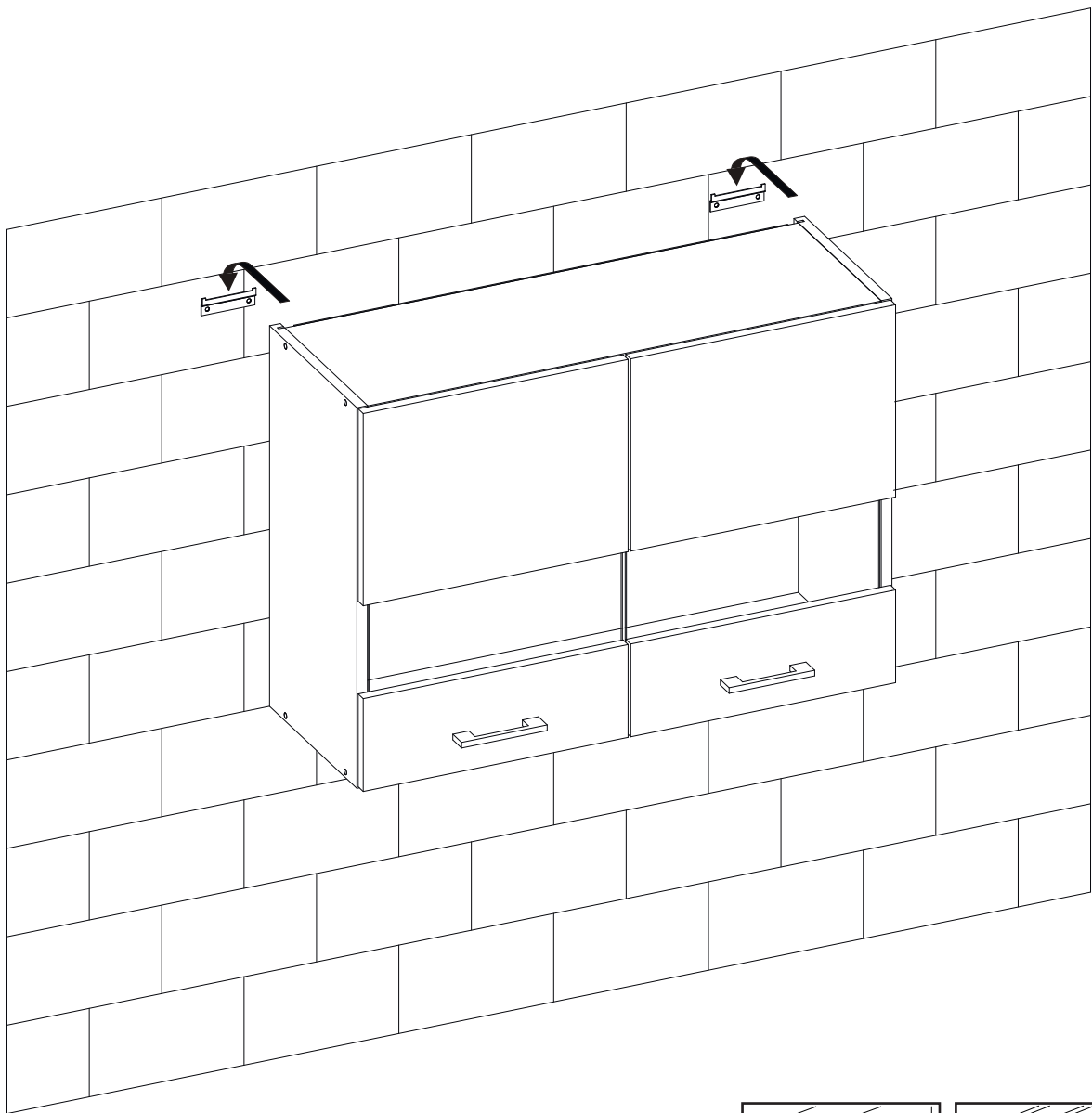
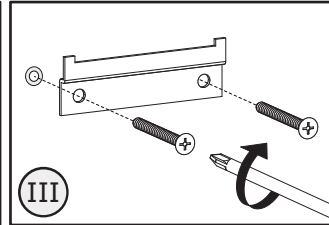
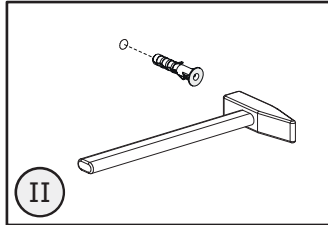
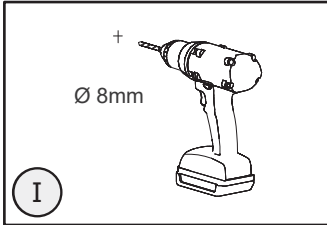
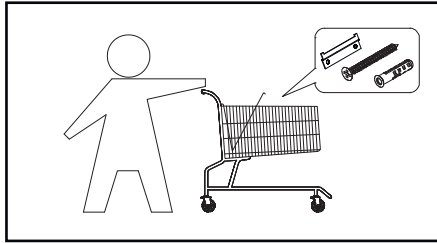
5

6

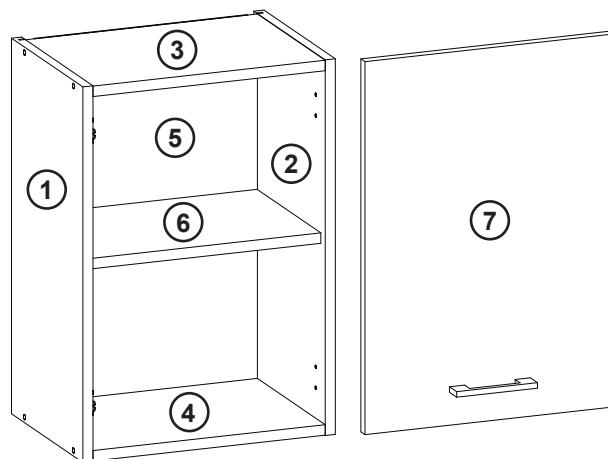
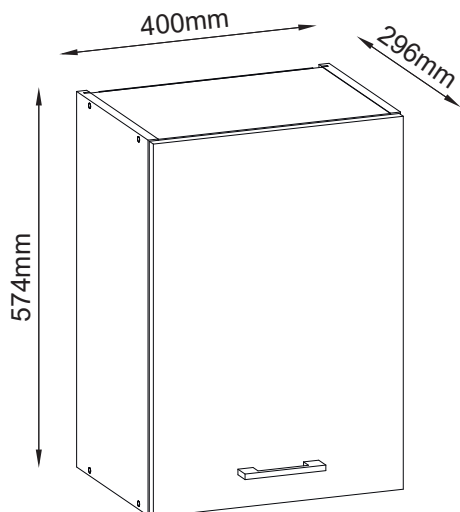
a1

b1

6

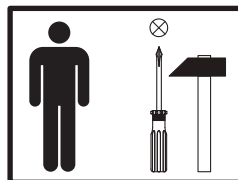


ESPERO W40_57_F

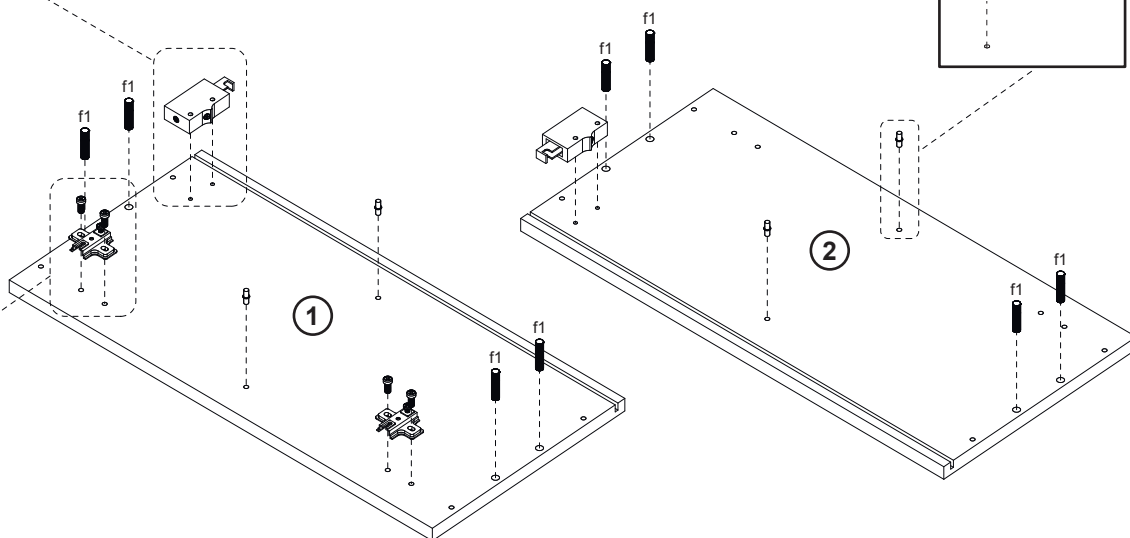
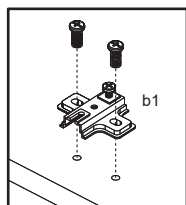
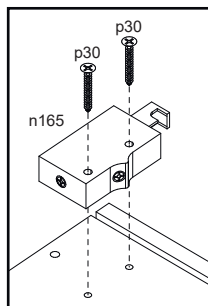
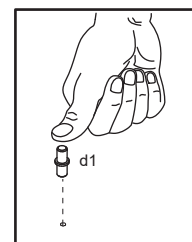
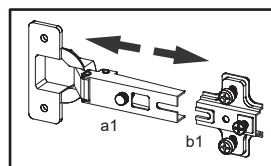


1x 4mm z1	8x Ø 6,3x50mm e27	8x Ø 12mm s3
8x Ø 8x30mm f1	2x Ø 35mm ab1	4x Ø 5mm d1
2x n165	1x L=96/128mm c238	5x 10x10x15mm l2
5x Ø 2x20mm g1	4x Ø 3,5x16mm p51	2x Ø 4x25mm p26
	4x Ø 4x30 mm p30	

A	B (mm)		C	D
1	574	280	16	x1 3/10
2	574	280	16	x1 3/10
3	368	266	16	x1 3/10
4	368	280	16	x1 3/10
5	564	382	2.5	x1 3/10
6	367	250	16	x1 3/10
7	396	570	16	x1 10/10



1	n165 x 2 	p30 x 4 Ø 4x30mm	d1 x 4 Ø 5mm	b1 x 2 40x50x12mm	f1 x 8 Ø 8x30mm
----------	--------------	-------------------------	---------------------	--------------------------	------------------------



2	z1 x 1 4mm	e27 x 8 Ø 6,3x50mm	s3 x 8 Ø 12mm
----------	---------------	-----------------------	------------------

3	g1 x 5 Ø 2x20mm	l2 x 5 10x10x15mm
----------	--------------------	----------------------

XX=YY=90°

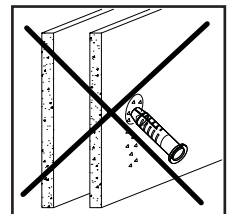
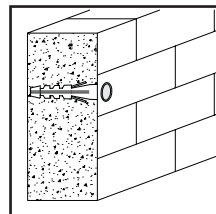
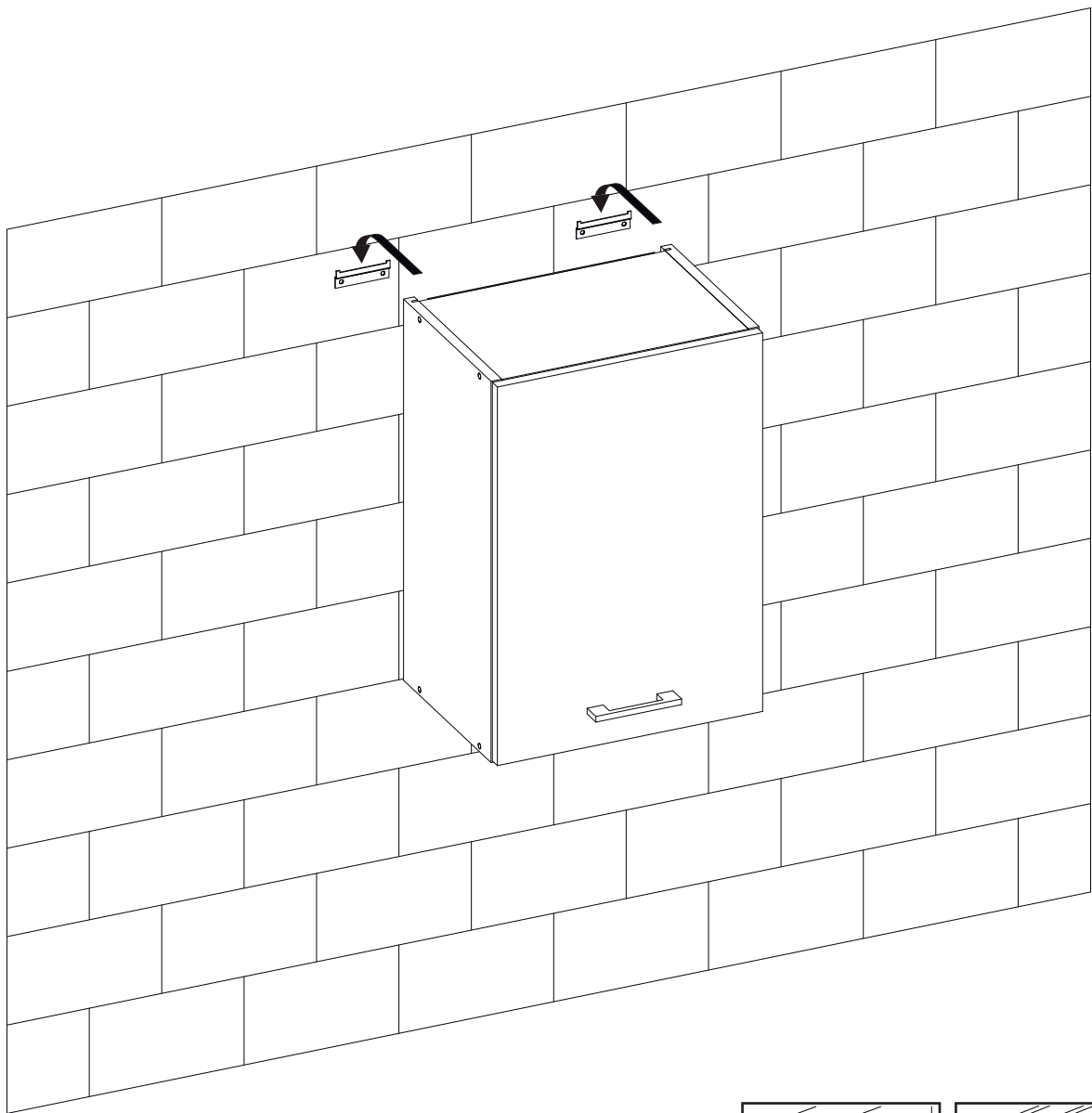
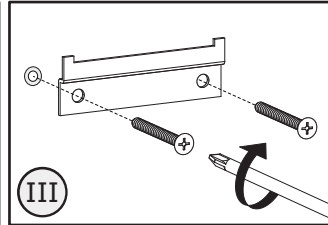
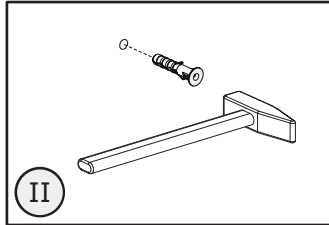
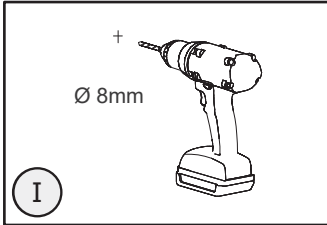
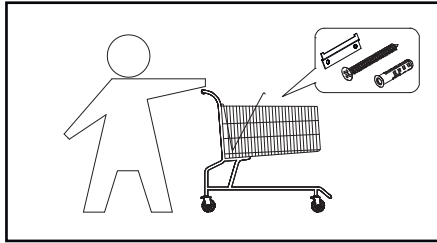
4	a1 x 2 Ø 35mm	p51 x 4 Ø 3,5x16mm	c238 x 1 L=96/128mm	p26 x 2 Ø 4x25mm
----------	------------------	-----------------------	------------------------	---------------------

5	b1	a1
----------	----	----

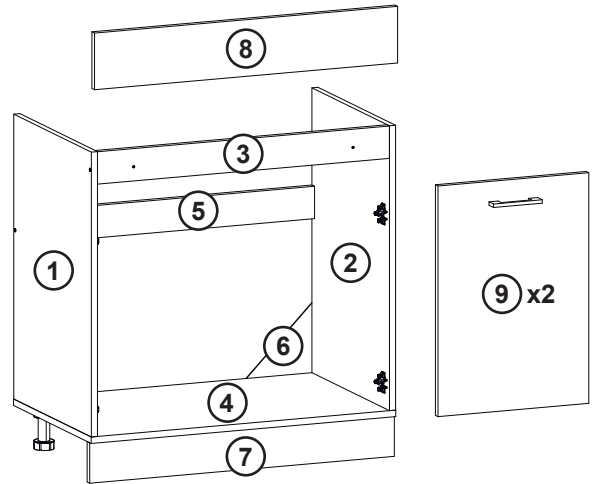
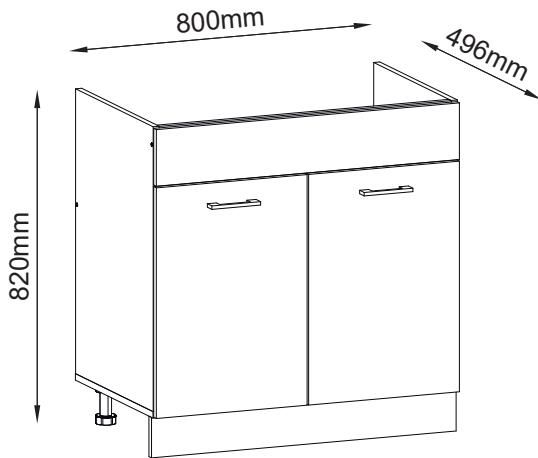
R

R

6

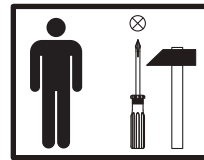


ESPERO D80z

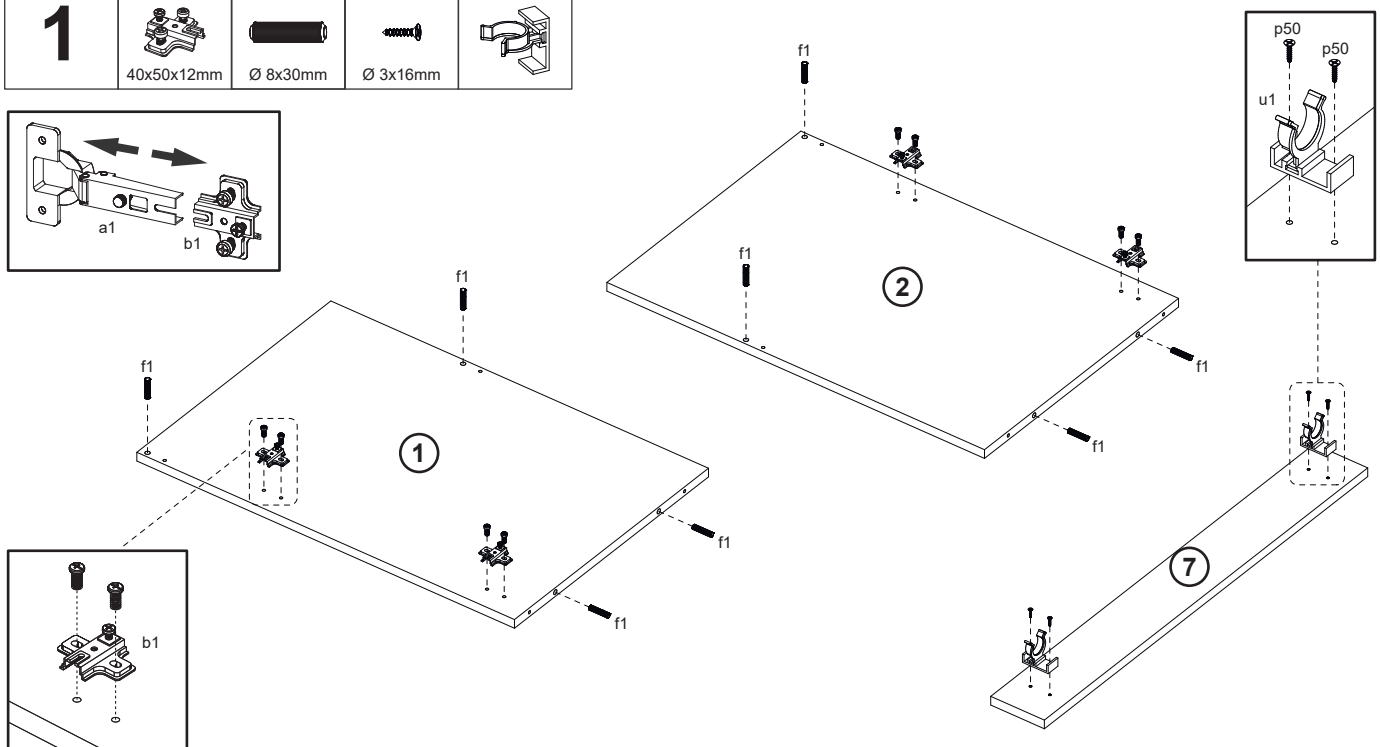
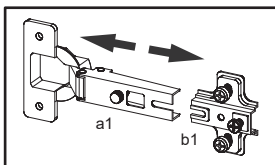


1x 4mm z1	8x Ø 6,3x50mm e27	8x Ø 12mm s3
8x Ø 8x30mm f1	4x Ø 35mm ab1	2x L=96/128mm c238
4x h=100mm k52	2x u1	12x Ø 2x20mm g1
4x Ø 4x25mm p26	20x Ø 3x16mm p50	8x Ø 3,5x16mm p51
	2x Ø 4x30 mm p30	

A	B (mm)		C	D
1	704	480	16	x1 4/10
2	704	480	16	x1 4/10
3	767	80	16	x1 4/10
4	800	480	16	x1 4/10
5	767	80	16	x1 4/10
6	200	200	2.5	x2 4/10
7	800	100	16	x1 4/10
8	796	140	16	x1 10/10
9	570	396	16	x2 10/10



1	b1 x 4 40x50x12mm	f1 x 8 Ø 8x30mm	p50 x 4 Ø 3x16mm	u1 x 2
----------	--------------------------	------------------------	-------------------------	------------



2	z1 x 1 4mm	e27 x 4 Ø 6,3x50mm	s3 x 4 Ø 12mm
----------	---------------	-----------------------	------------------

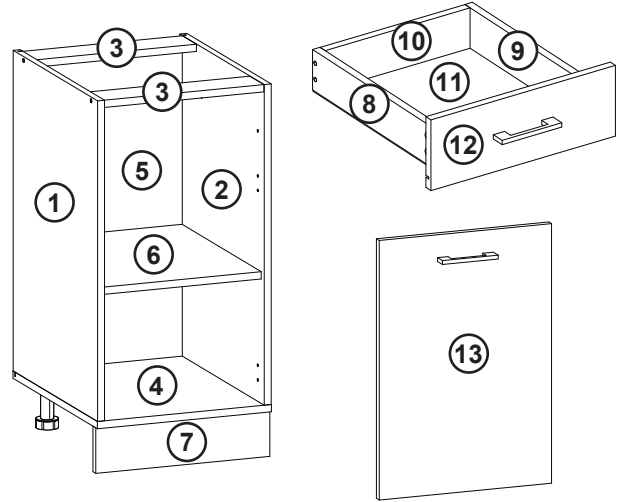
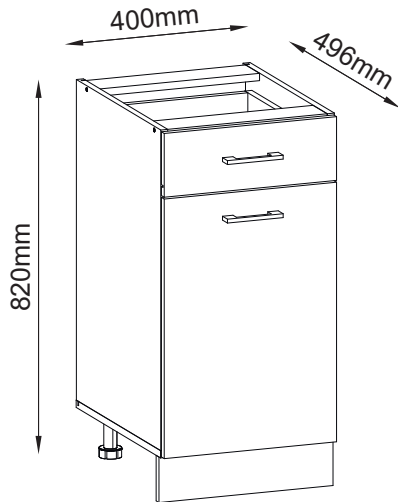
3	z1 x 1 4mm	e27 x 4 Ø 6,3x50mm	s3 x 4 Ø 12mm
----------	---------------	-----------------------	------------------

4	g1 x 12 Ø 2x20mm	p50 x 16 Ø 3x16mm
----------	---------------------	----------------------

5	a1 x 4 Ø 35mm	p51 x 8 Ø 3,5x16mm	c238 x 2 L=96/128mm	p26 x 4 Ø 4x25mm
----------	------------------	-----------------------	------------------------	---------------------

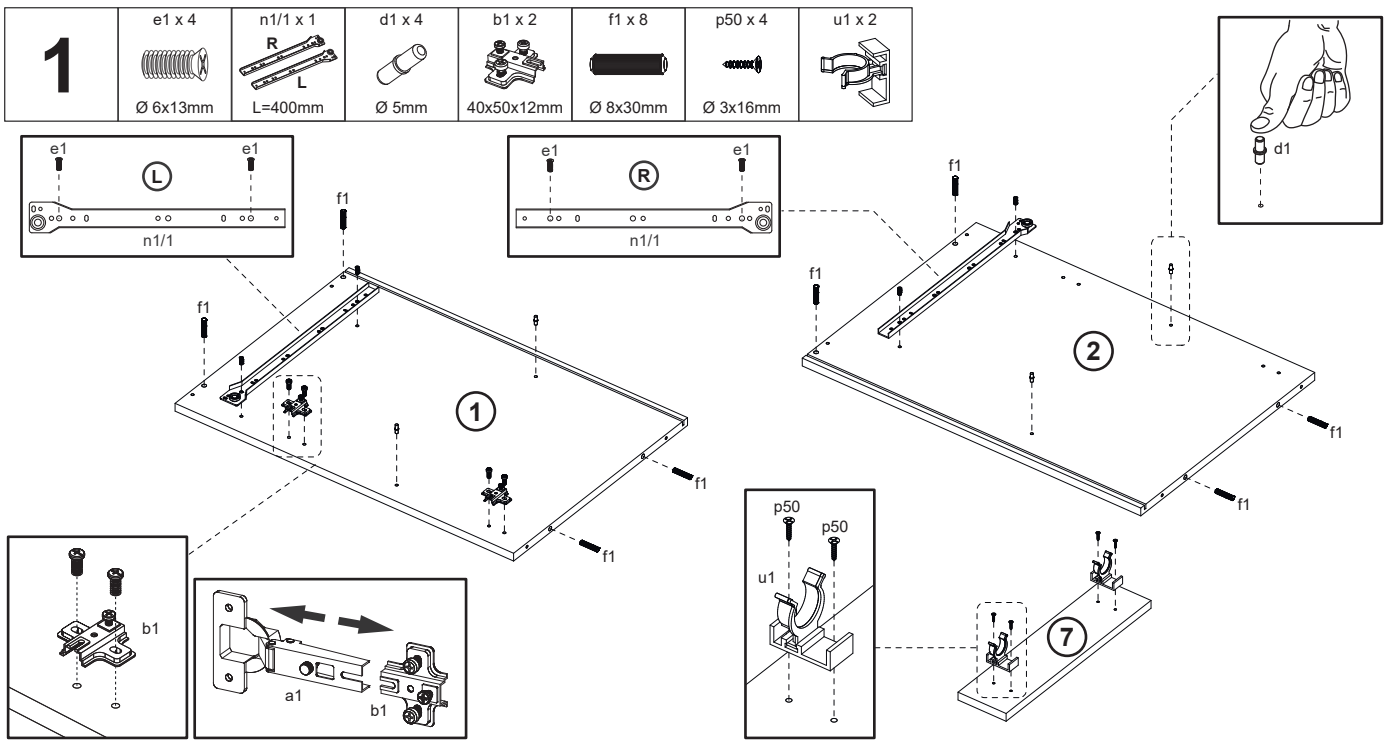
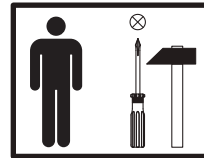
6	p30 x 2 Ø 4x30mm
----------	---------------------

ESPERO D40s1



1x 4mm z1	12x Ø 6.3x50mm e27	12x Ø 12mm s3
8x Ø 8x30mm f1	4x 45mm r23	4x Ø 15x12mm r1
4x Ø 20mm s1	2x Ø 35mm ab1	4x Ø 5mm d1
1x L=400mm n1/1	1x L=400mm n1/2	2x L=96/128mm c238
4x h=100mm k52	2x u1	7x 10x10x15mm i2
10x Ø 2x20mm g1	24x Ø 3x16mm p50	4x Ø 3.5x16mm p51
4x Ø 4x25mm p26		4x Ø 6x13mm e1

A	B (mm)		C	D
1	704	480	16	x1 5/10
2	704	480	16	x1 5/10
3	367	80	16	x2 5/10
4	400	480	16	x1 5/10
5	710	382	2.5	x1 5/10
6	366	450	16	x1 5/10
7	400	100	16	x1 5/10
8	400	80	16	x1 5/10
9	400	80	16	x1 5/10
10	311	80	16	x1 5/10
11	406	342	2.5	x1 5/10
12	396	140	16	x1 10/10
13	570	396	16	x1 10/10



2	z1 x 1 4mm	e27 x 4 Ø 6,3x50mm	s3 x 4 Ø 12mm
----------	---------------	-----------------------	------------------

3	z1 x 1 4mm	e27 x 4 Ø 6,3x50mm	s3 x 4 Ø 12mm
----------	---------------	-----------------------	------------------

4	g1 x 5 Ø 2x20mm	l2 x 7 10x10x15mm	p52 x 4 h=100mm
----------	--------------------	----------------------	--------------------



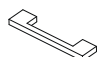

p50 x 16 Ø 3x16mm

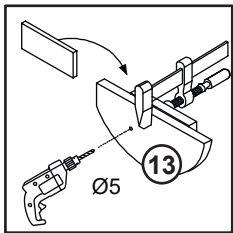
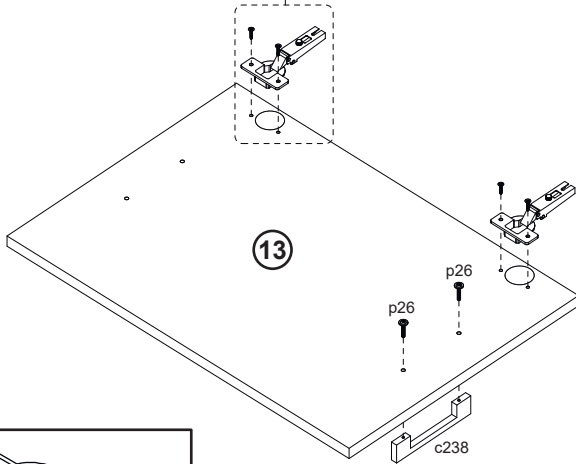
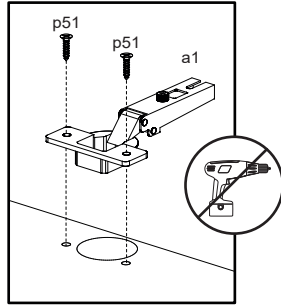
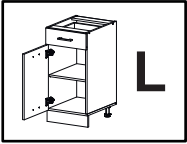
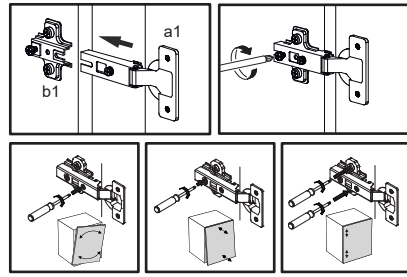
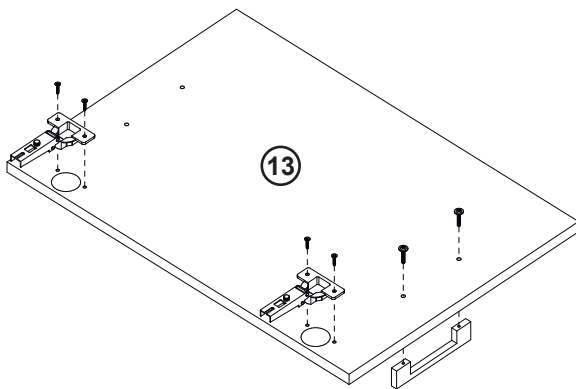
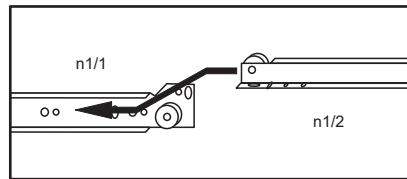
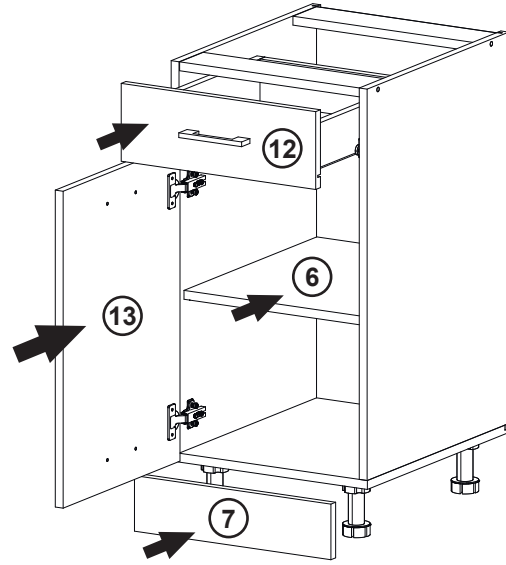
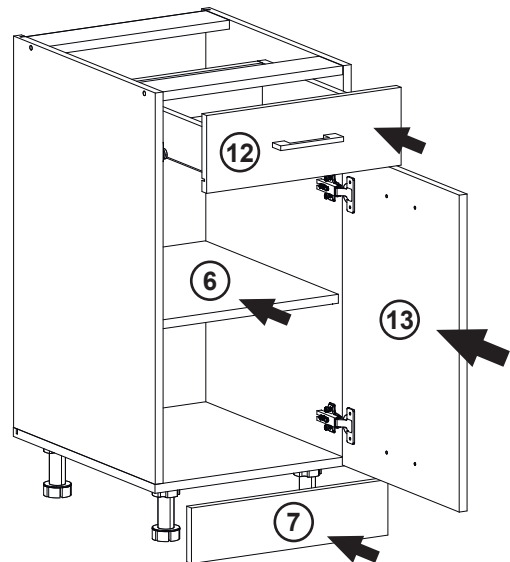
XX=YY=90°

5	z1 x 1 4mm	e27 x 4 Ø 6,3x50mm	s3 x 4 Ø 12mm	r1 x 4 Ø 15x12mm	r23 x 4 45mm	s1 x 4 Ø 20mm	c238 x 1 L=96/128mm	p26 x 2 Ø 4x25mm	n1/2 x 1 R L=400mm	p50 x 4 Ø 3x16mm	g1 x 5 Ø 2x20mm
----------	---------------	-----------------------	------------------	---------------------	-----------------	------------------	------------------------	---------------------	--------------------------	---------------------	--------------------

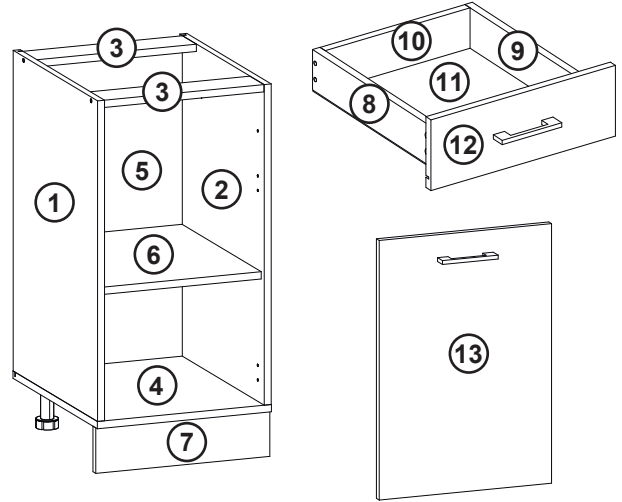
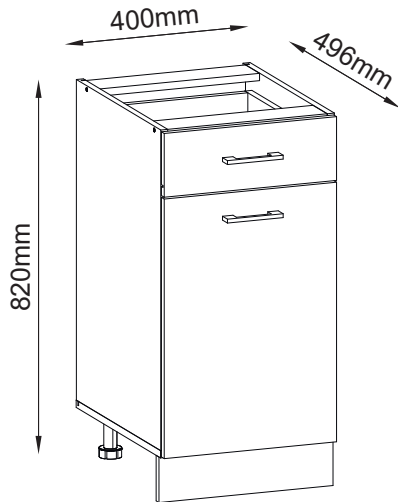
Ø 5

6

a1 x 2  Ø 35mm	p51 x 4  Ø 3,5x16mm	c238 x 1  L=96/128mm	p26 x 2  Ø 4x25mm
---	--	---	--

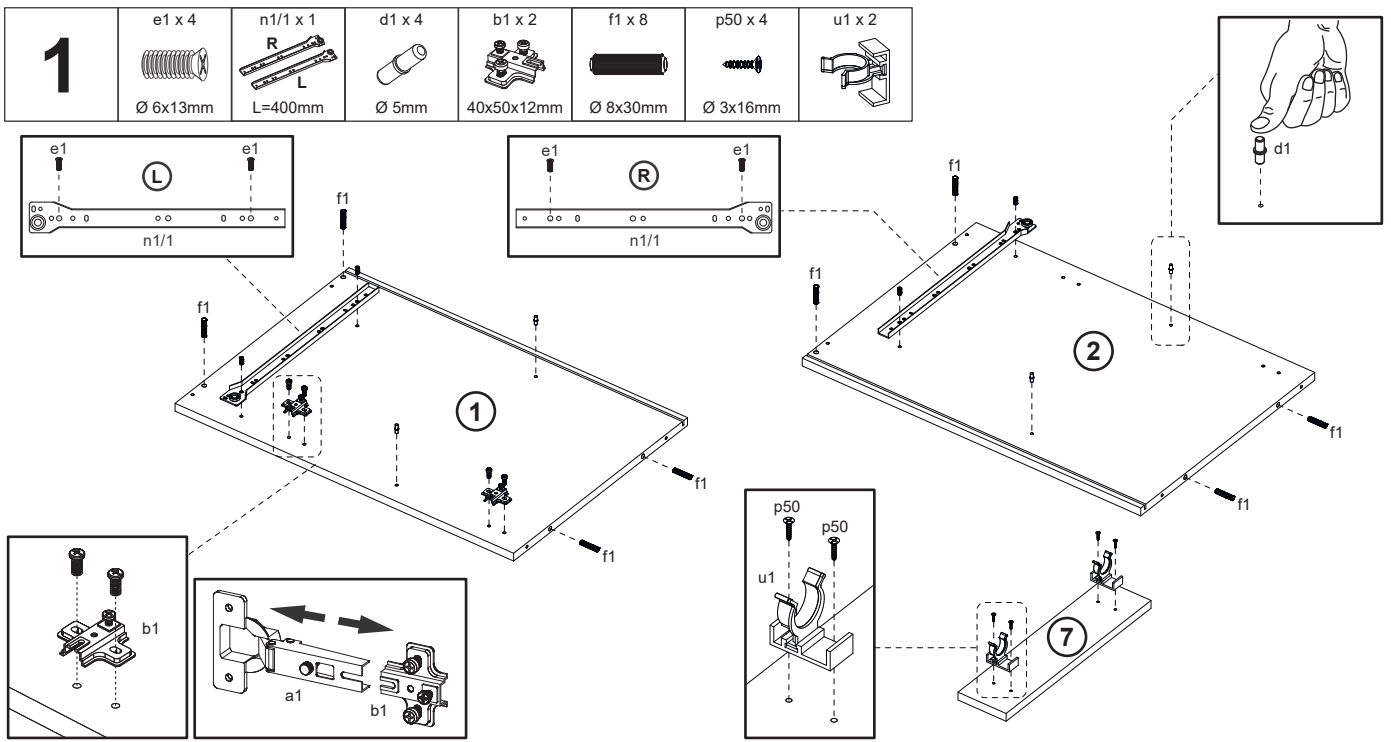
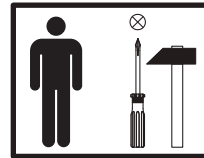
**7****L****R**

ESPERO D40s1



1x 4mm z1	12x Ø 6.3x50mm e27	12x Ø 12mm s3
8x Ø 8x30mm f1	4x 45mm r23	4x Ø 15x12mm r1
4x Ø 20mm s1	2x Ø 35mm ab1	4x Ø 5mm d1
1x L=400mm n1/1	1x L=400mm n1/2	2x L=96/128mm c238
4x h=100mm k52	2x u1	7x 10x10x15mm i2
10x Ø 2x20mm g1	24x Ø 3x16mm p50	4x Ø 3.5x16mm p51
4x Ø 4x25mm p26		4x Ø 6x13mm e1

A	B (mm)		C	D
1	704	480	16	x1 6/10
2	704	480	16	x1 6/10
3	367	80	16	x2 6/10
4	400	480	16	x1 6/10
5	710	382	2.5	x1 6/10
6	366	450	16	x1 6/10
7	400	100	16	x1 6/10
8	400	80	16	x1 6/10
9	400	80	16	x1 6/10
10	311	80	16	x1 6/10
11	406	342	2.5	x1 6/10
12	396	140	16	x1 10/10
13	570	396	16	x1 10/10



2	z1 x 1 4mm	e27 x 4 Ø 6,3x50mm	s3 x 4 Ø 12mm
----------	---------------	-----------------------	------------------



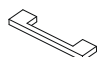

3	z1 x 1 4mm	e27 x 4 Ø 6,3x50mm	s3 x 4 Ø 12mm
----------	---------------	-----------------------	------------------

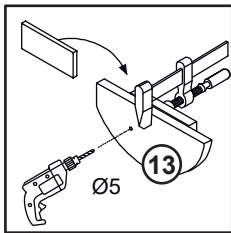
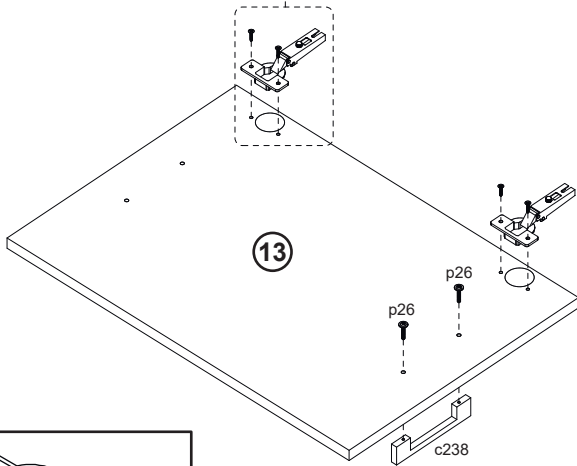
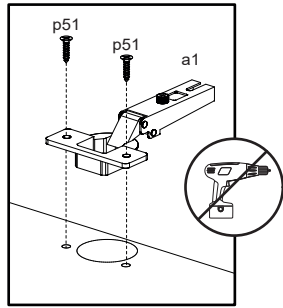
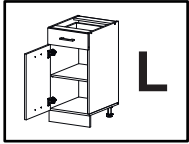
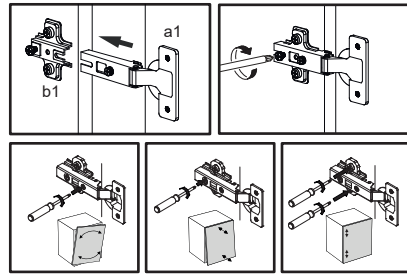
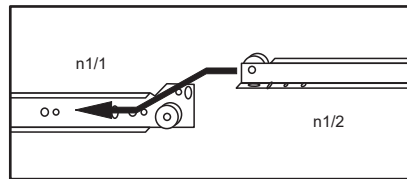
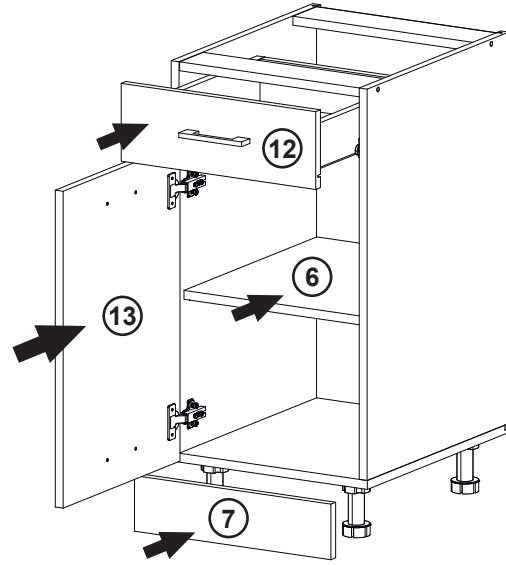
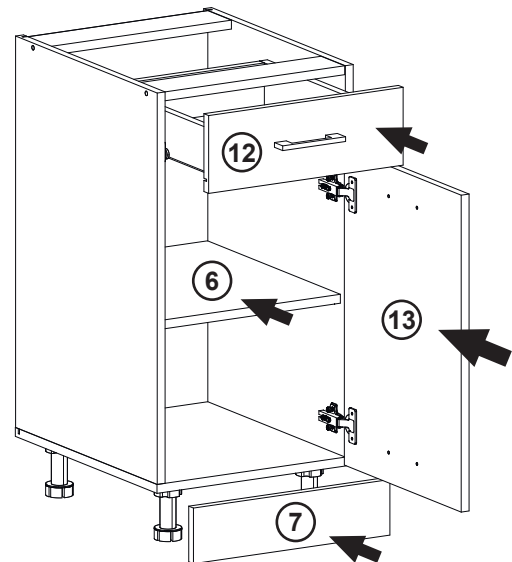
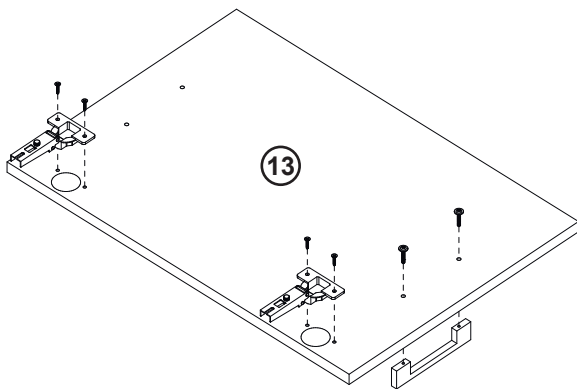
4	g1 x 5 Ø 2x20mm	l2 x 7 10x10x15mm	p52 x 4 h=100mm
----------	--------------------	----------------------	--------------------

p50 x 16 Ø 3x16mm

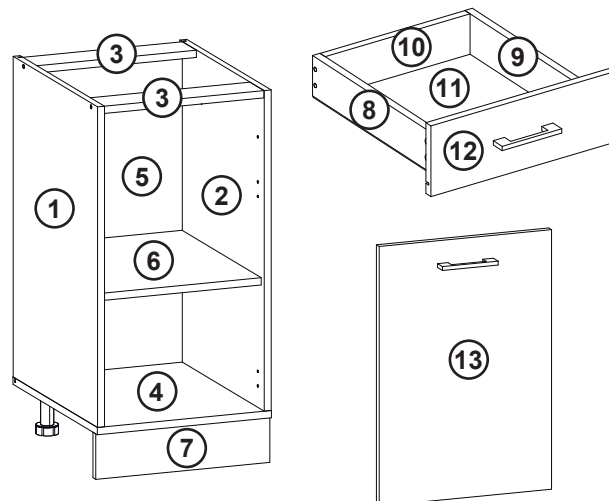
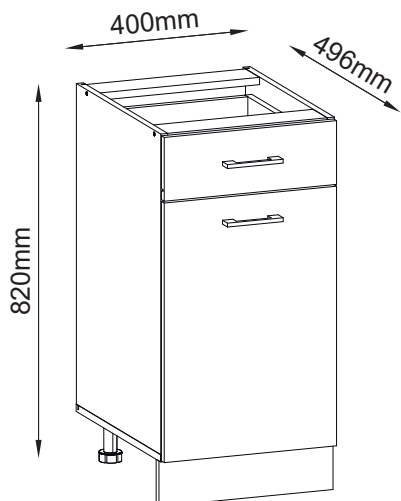
5	z1 x 1 4mm	e27 x 4 Ø 6,3x50mm	s3 x 4 Ø 12mm	r1 x 4 Ø 15x12mm	r23 x 4 45mm	s1 x 4 Ø 20mm	c238 x 1 L=96/128mm	p26 x 2 Ø 4x25mm	n1/2 x 1 R L=400mm	p50 x 4 Ø 3x16mm	g1 x 5 Ø 2x20mm
----------	---------------	-----------------------	------------------	---------------------	-----------------	------------------	------------------------	---------------------	--------------------------	---------------------	--------------------

6

a1 x 2  Ø 35mm	p51 x 4  Ø 3,5x16mm	c238 x 1  L=96/128mm	p26 x 2  Ø 4x25mm
---	--	---	--

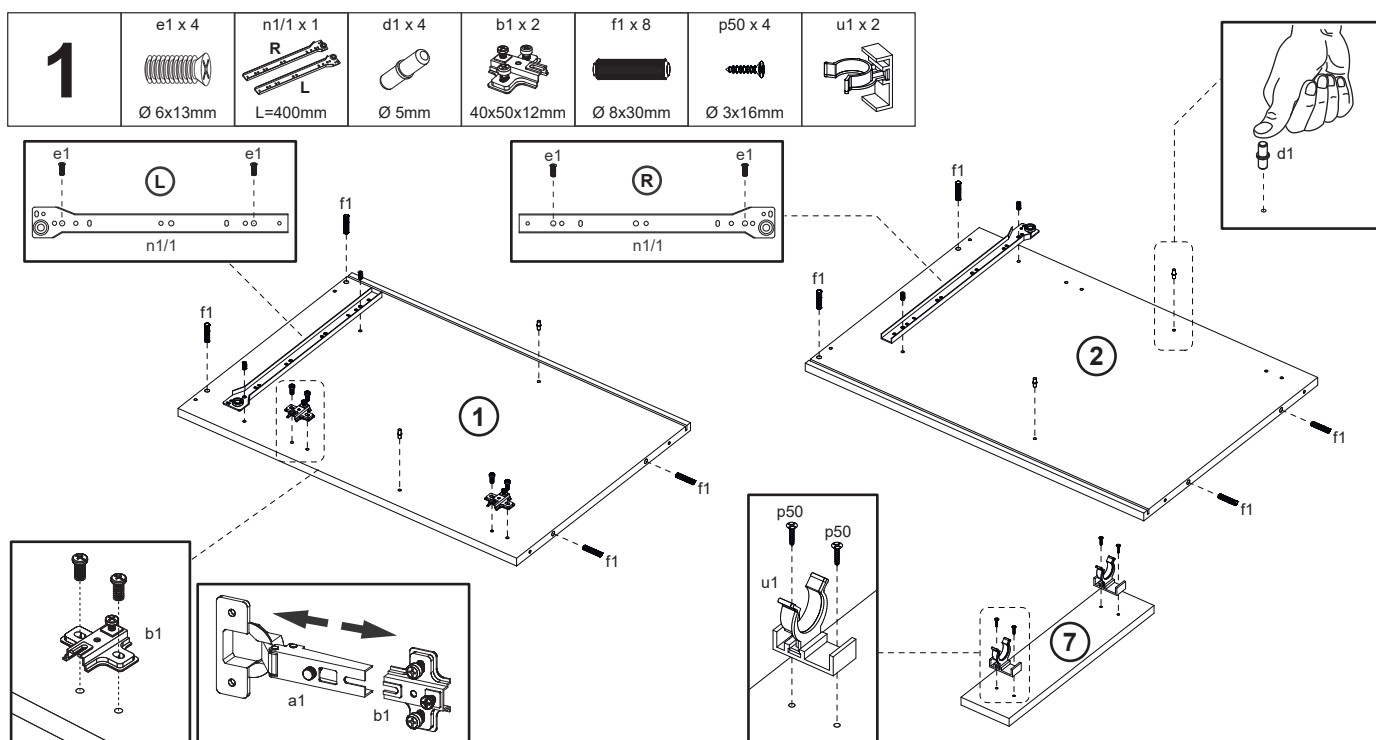
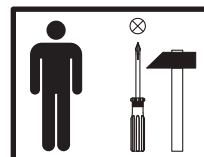
**7****L****R**

ESPERO D40s1_F



1x 4mm z1	12x Ø 6,3x50mm e27	12x Ø 12mm s3
8x Ø 8x30mm f1	4x 45mm r23	4x Ø 15x12mm r1
4x Ø 20mm s1	2x Ø 35mm ab1	4x Ø 5mm d1
1x L=400mm n1/1	1x L=400mm n1/2	2x L=96/128mm c238
4x h=100mm k52	2x u1	7x 10x10x15mm i2
10x Ø 2x20mm g1	24x Ø 3x16mm p50	4x Ø 3,5x16mm p51
4x Ø 4x25mm p26		4x Ø 6x13mm e1

A	B (mm)		C	D
1	704	480	16	x1 7/10
2	704	480	16	x1 7/10
3	367	80	16	x2 7/10
4	400	480	16	x1 7/10
5	710	382	2.5	x1 7/10
6	366	450	16	x1 7/10
7	400	100	16	x1 7/10
8	400	80	16	x1 7/10
9	400	80	16	x1 7/10
10	311	80	16	x1 7/10
11	406	342	2.5	x1 7/10
12	396	140	16	x1 10/10
13	396	570	16	x1 10/10



2	z1 x 1 4mm	e27 x 4 Ø 6,3x50mm	s3 x 4 Ø 12mm
----------	---------------	-----------------------	------------------



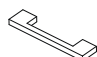

3	z1 x 1 4mm	e27 x 4 Ø 6,3x50mm	s3 x 4 Ø 12mm
----------	---------------	-----------------------	------------------

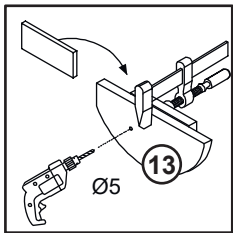
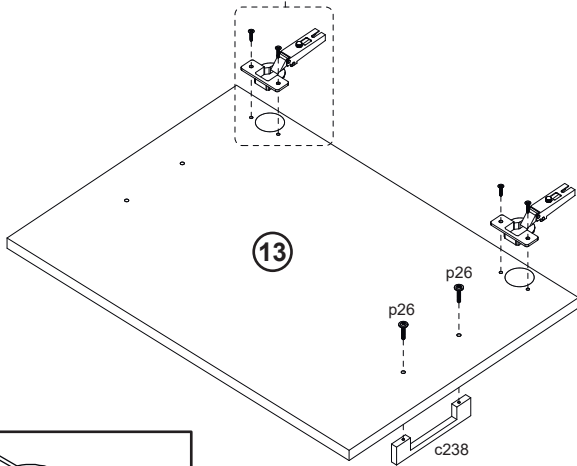
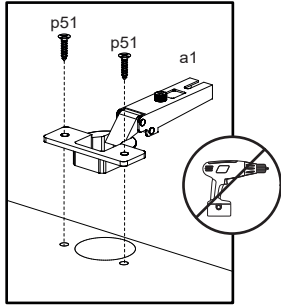
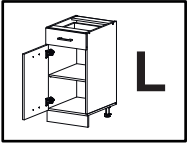
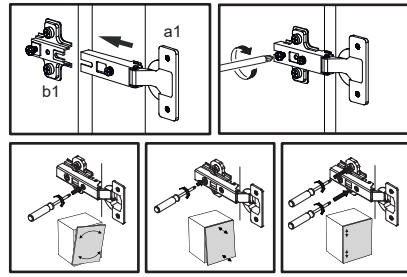
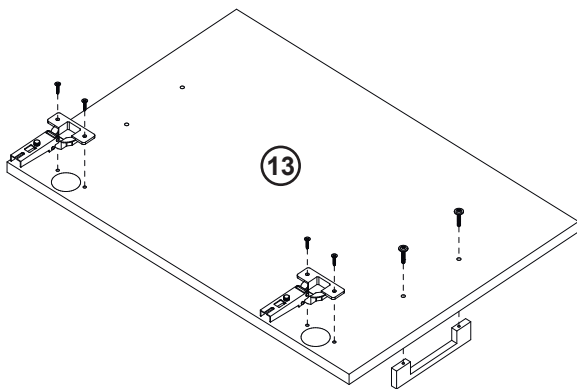
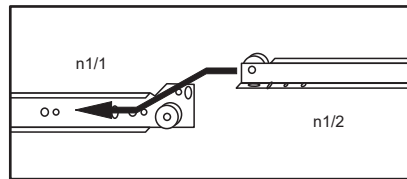
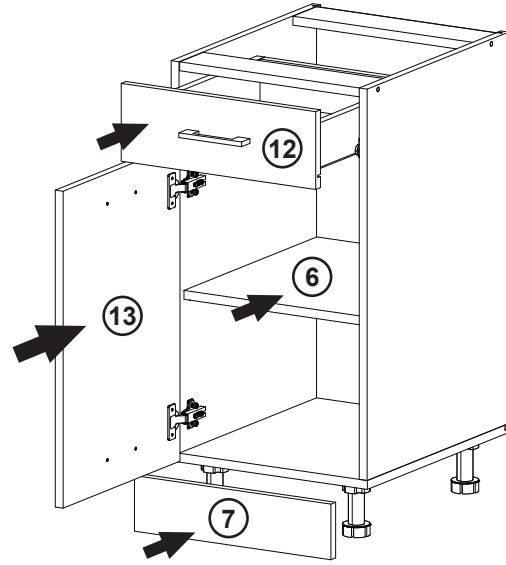
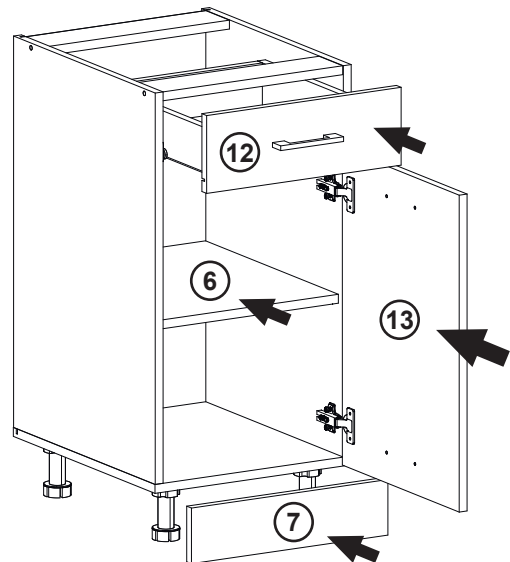
4	g1 x 5 Ø 2x20mm	l2 x 7 10x10x15mm	p52 x 4 h=100mm
----------	--------------------	----------------------	--------------------

p50 x 16 Ø 3x16mm

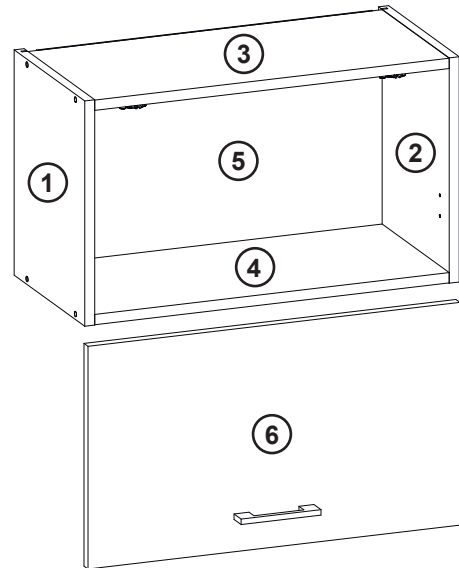
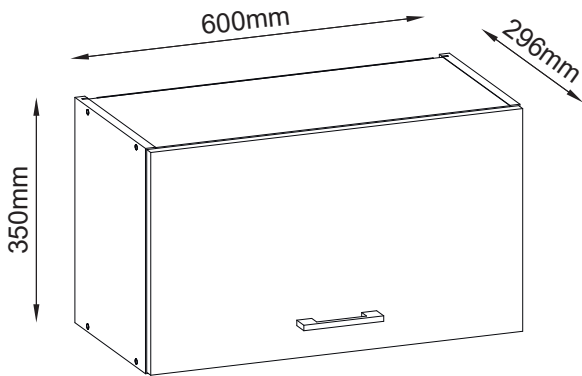
5	z1 x 1 4mm	e27 x 4 Ø 6,3x50mm	s3 x 4 Ø 12mm	r1 x 4 Ø 15x12mm	r23 x 4 45mm	s1 x 4 Ø 20mm	c238 x 1 L=96/128mm	p26 x 2 Ø 4x25mm	n1/2 x 1 R L L=400mm	p50 x 4 Ø 3x16mm	g1 x 5 Ø 2x20mm
----------	---------------	-----------------------	------------------	---------------------	-----------------	------------------	------------------------	---------------------	-------------------------------	---------------------	--------------------

6

a1 x 2 	p51 x 4 	c238 x 1 	p26 x 2 
Ø 35mm	Ø 3,5x16mm	L=96/128mm	Ø 4x25mm

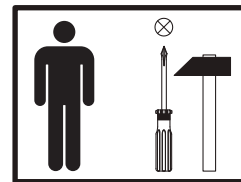
**7****L****R**

ESPERO Wo60_35

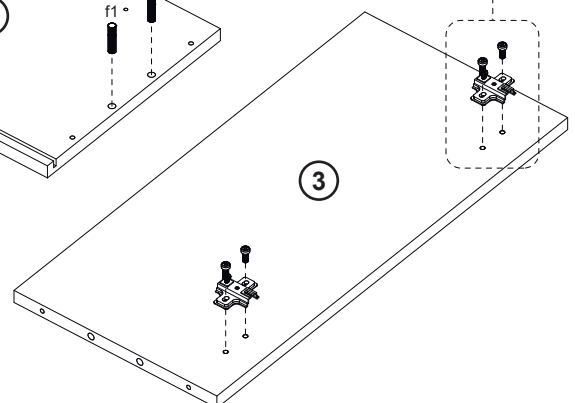
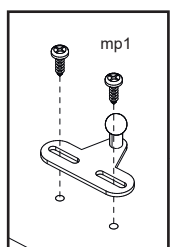
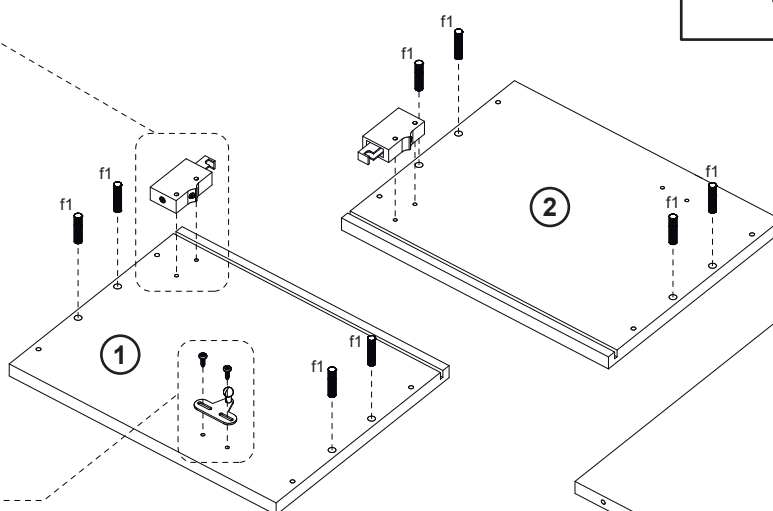
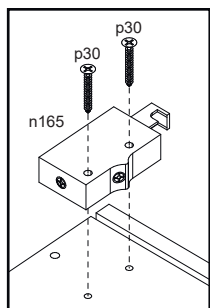
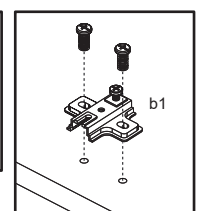
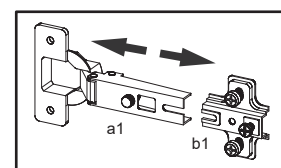


1x 4mm z1	8x Ø 6,3x50mm e27	8x Ø 12mm s3
8x Ø 8x30mm f1	2x Ø 35mm ab1	1x x4 mp
2x n165	1x L=96/128mm c238	4x 10x10x15mm I2
6x Ø 2x20mm g1	4x Ø 3,5x16mm p51	2x Ø 4x25mm p26
	4x Ø 4x30 mm p30	

A	B (mm)		C	D
1	350	280	16	x1 8/10
2	350	280	16	x1 8/10
3	568	266	16	x1 8/10
4	568	280	16	x1 8/10
5	582	340	2.5	x1 8/10
6	596	346	16	x1 10/10



1	n165 x 2 	p30 x 4 Ø 4x30mm 	mp1 x 1 x2 	b1 x 2 40x50x12mm 	f1 x 8 Ø 8x30mm
----------	--------------	-------------------------	-------------------	--------------------------	------------------------



2	z1 x 1 4mm	e27 x 8 Ø 6,3x50mm	s3 x 8 Ø 12mm
----------	---------------	-----------------------	------------------

3	g1 x 6 Ø 2x20mm	l2 x 4 10x10x15mm
----------	--------------------	----------------------

4	a1 x 2 Ø 35mm	p51 x 4 Ø 3,5x16mm	c238 x 1 L=96/128mm	p26 x 2 Ø 4x25mm	mp2 x 1 x2
----------	------------------	-----------------------	------------------------	---------------------	---------------

L

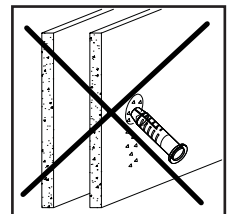
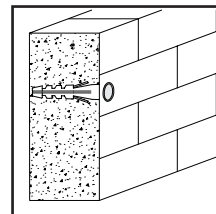
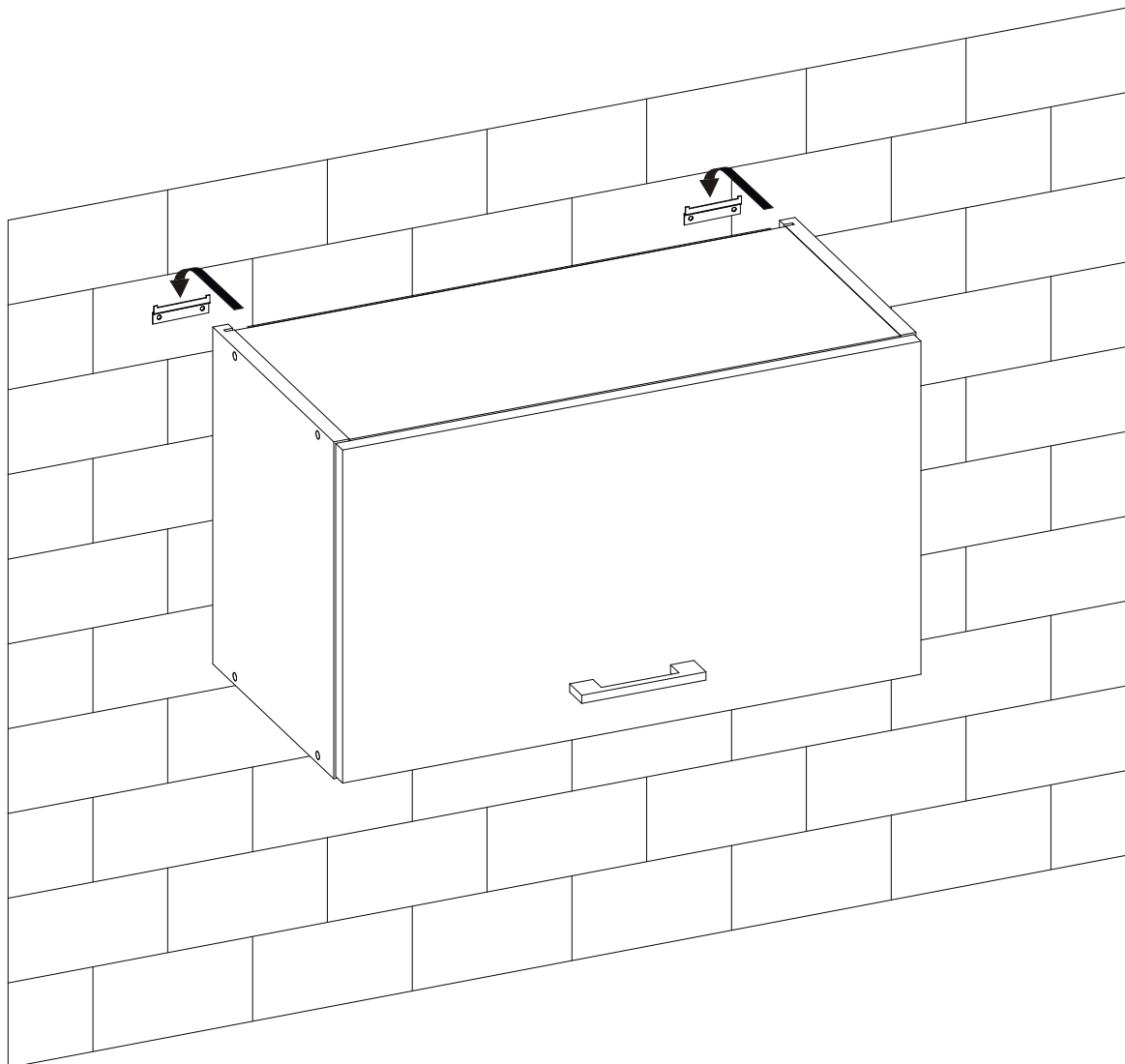
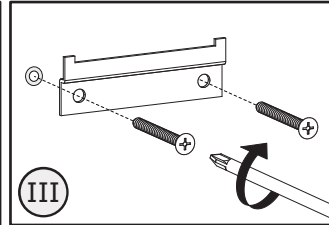
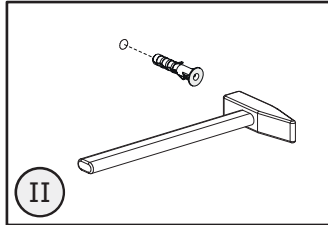
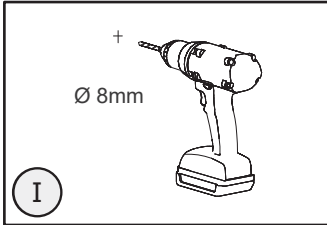
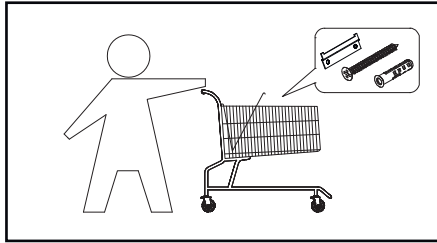
5	mp3 x 1
----------	---------

L

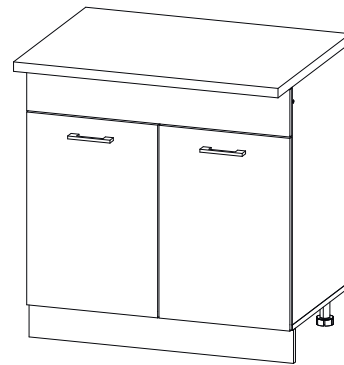
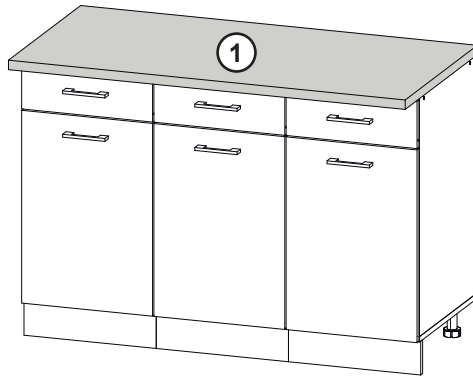
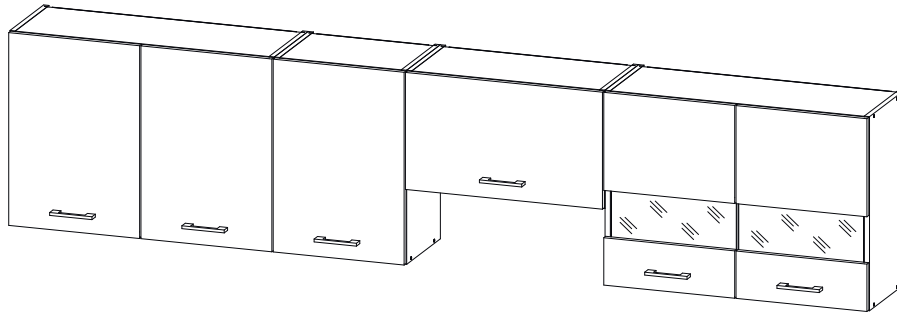
R

R

6



ESPERO Worktop 120



12x



Ø 4x30 mm

p30

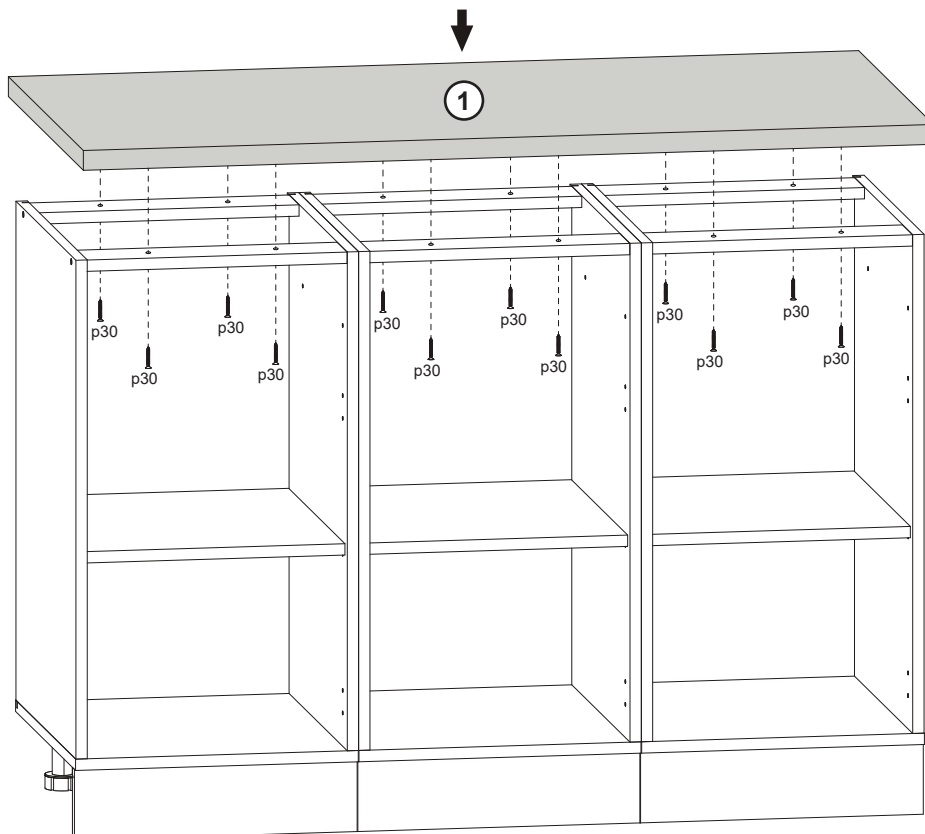
A	B (mm)			C	D
1	1200	600	28	x1	9/10

1

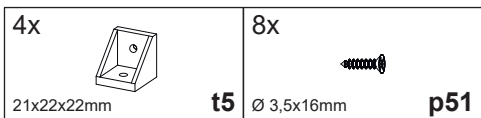
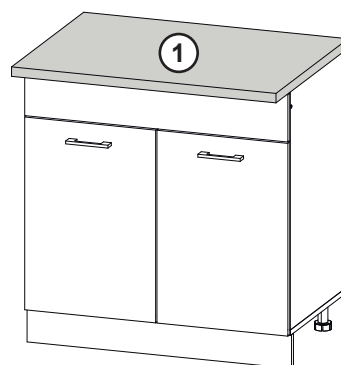
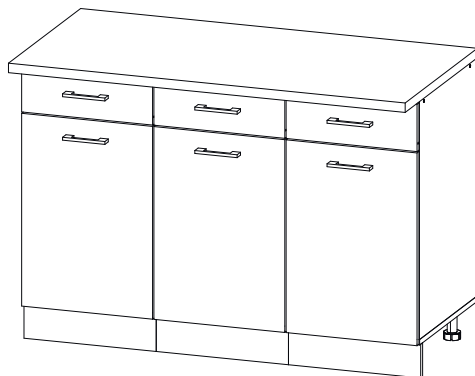
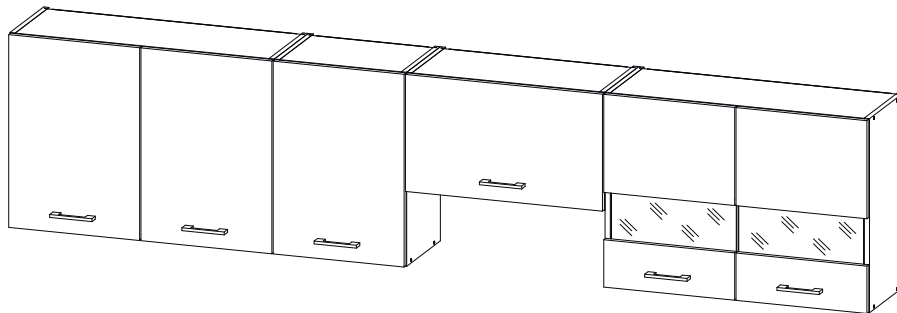
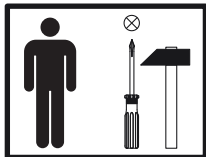
p30 x 12



Ø 4x30mm



ESPERO Worktop 80



A	B (mm)			C	D
1	800	600	28	x1	9/10

