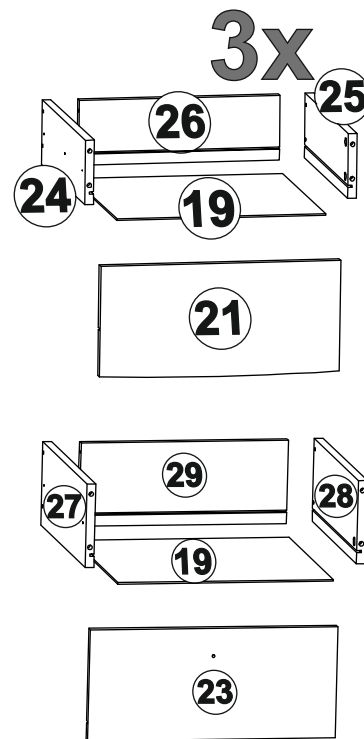
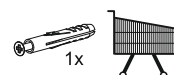


A	B	C	D
1	GF1- 202	1500	450
2	GF1- 304	1406	414
3	GF1- 401	1351	56
4	GF1- 402	101	91
5	GF1- 403	101	44
6	GF1- 5012	937	60
7	GF1- 5013	937	60
8	GF1- 5014	937	38
9	GF1- 5015	937	60
10	GF1- 5016	937	60
11	GF1- 5017	937	38
12	GF1- 903	1465	425
13	LH- 1405	1405	14
14	GF1- 105	836	414
15	GF1- 106	836	414

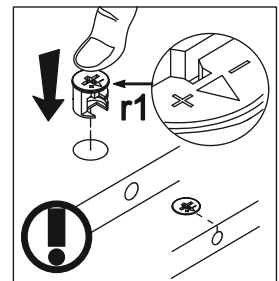
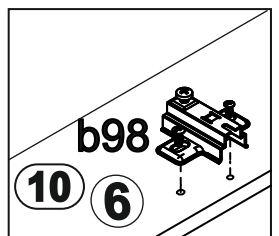
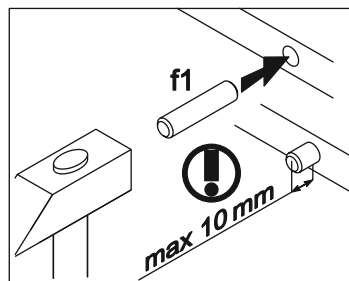
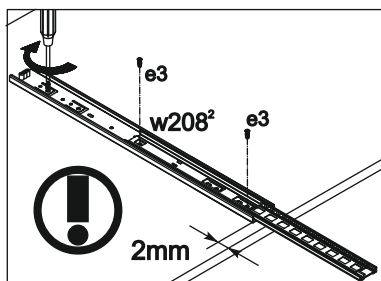
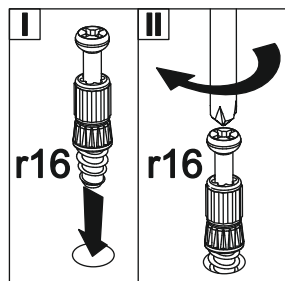
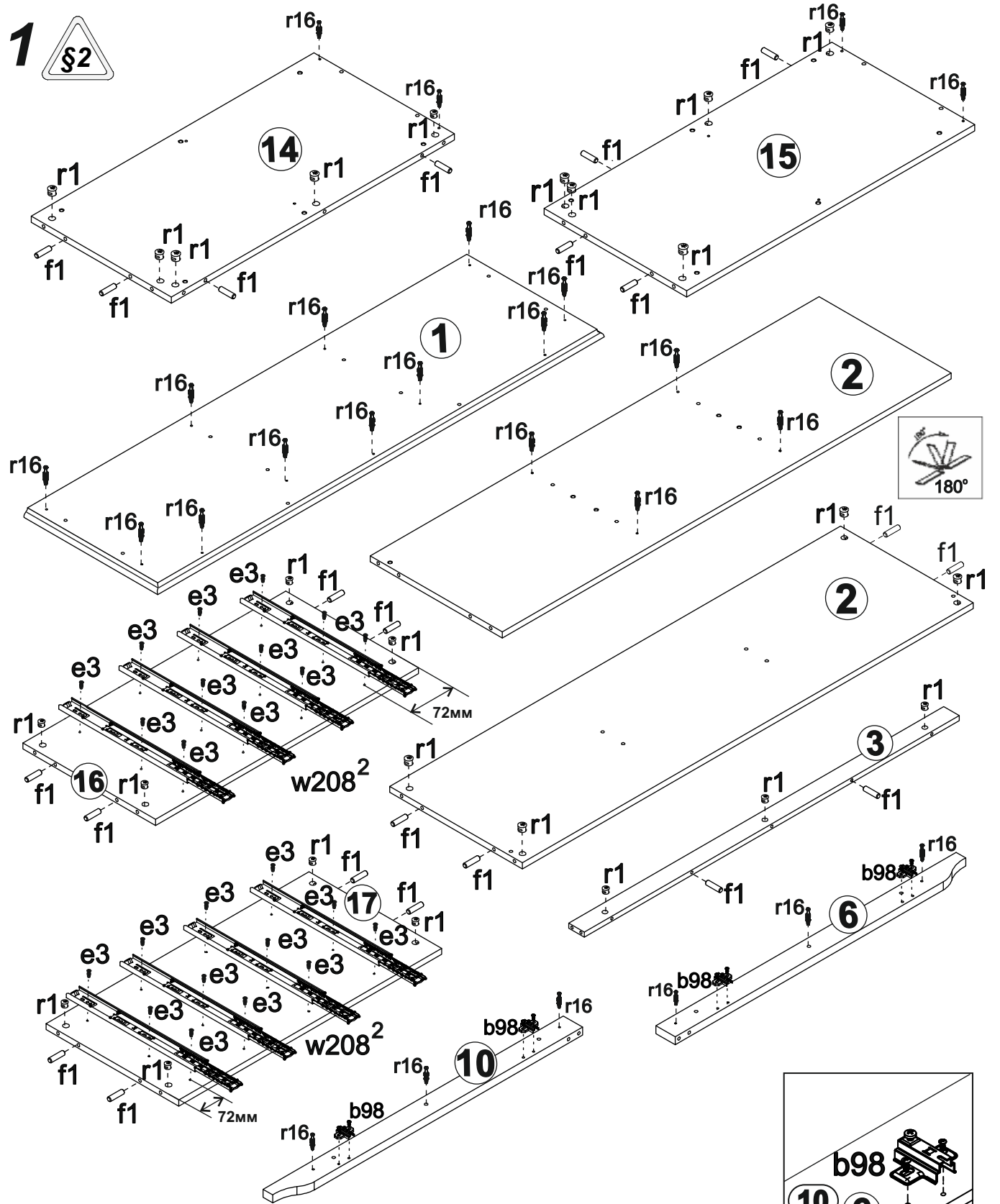
A	B	C	D
16	GF1- 107	820	414
17	GF1- 108	820	414
18	GF1- 305	400	469
19	GF1- 904	389	399
20	GF1- 004	815	447
21	GF1- 007	447	200
22	GF1- 006	815	447
23	GF1- 005	447	210
24	GF1- 551	400	120
25	GF1- 552	400	120
26	GF1- 554	374	120
27	GF1- 555	400	150
28	GF1- 556	400	150
29	GF1- 557	374	150

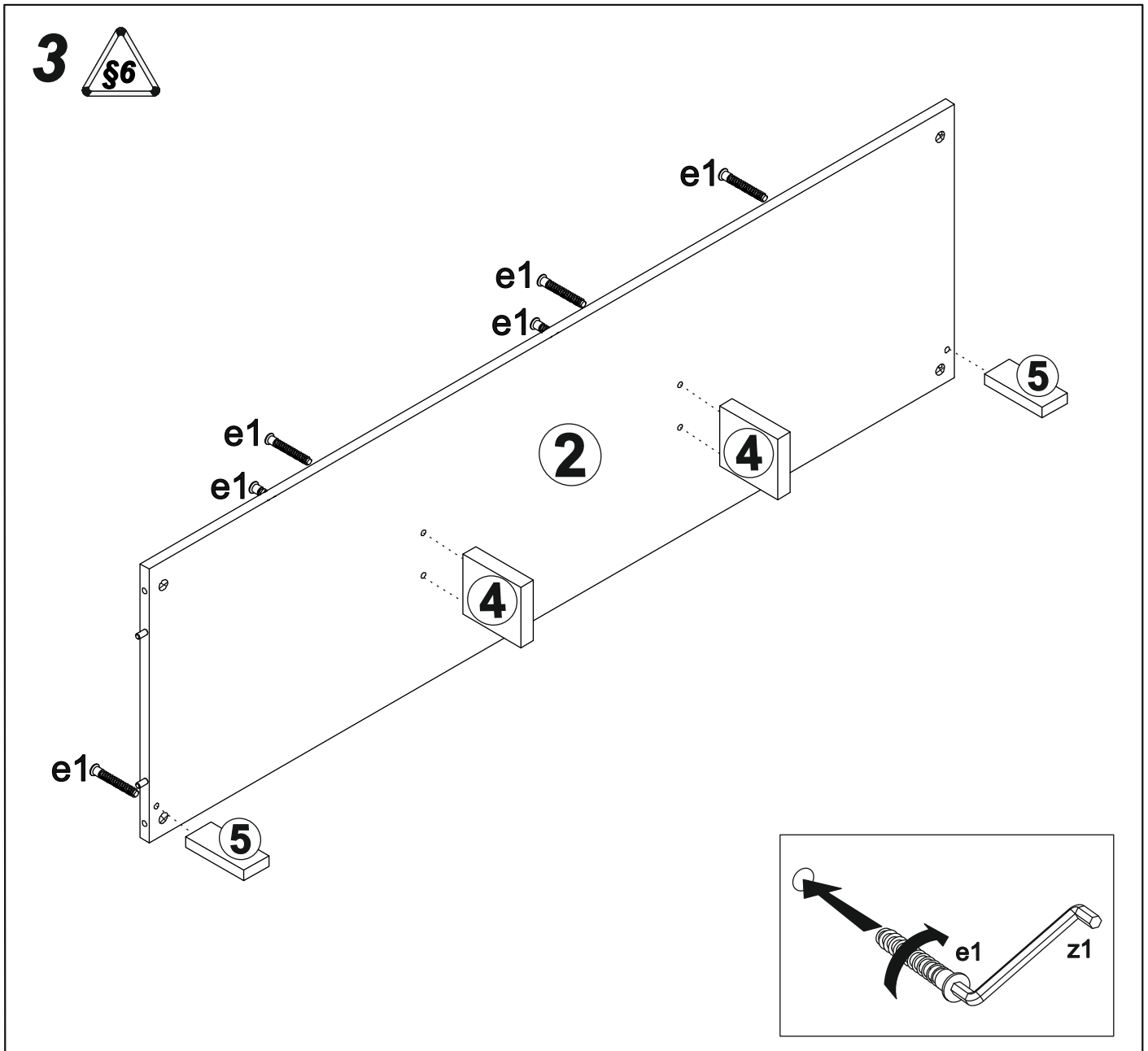
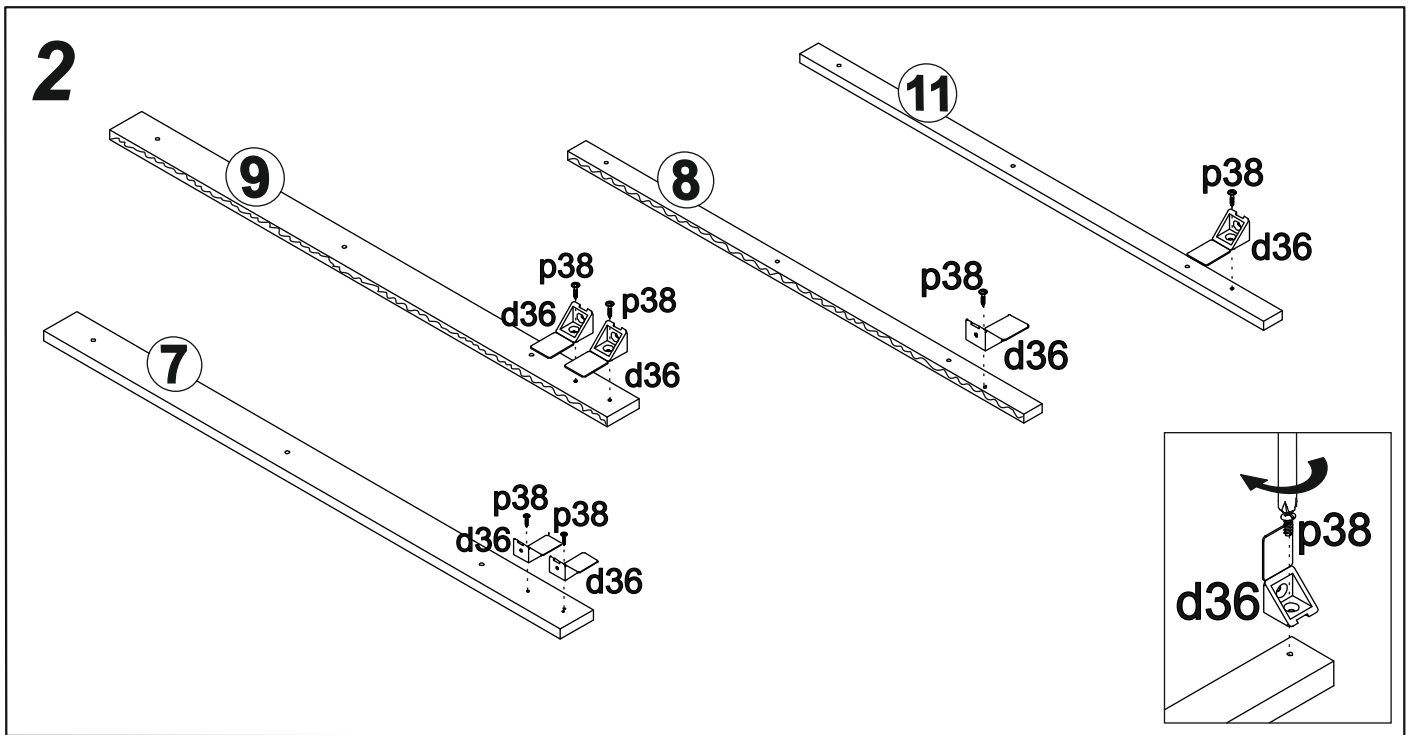


41x φ15x12mm #16 r1	41x 20/9 r16	8x φ3,5x15 mm p51	26x φ16 s2	1x z1	6x φ7x50 mm e1	16x φ5x50 mm e32	10x s1
24x φ6x13 mm e3	22x φ8x30 mm f1	6x k1	6x d36	60x l1	13x φ3,5x16 mm p38	4x a98	4x b98
6x c415	6x M4x22 mm j30	4x φ8x50 mm f6	8x 400 w208/1	8x 400 w208/2	12x φ7x28 mm e22	8x φ5x17 mm d1	
24x φ3,5x12 mm p140	1x n26\1						

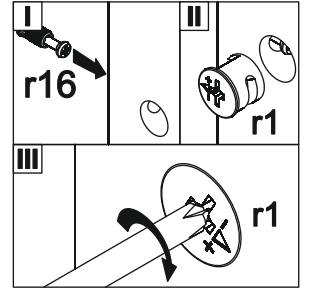
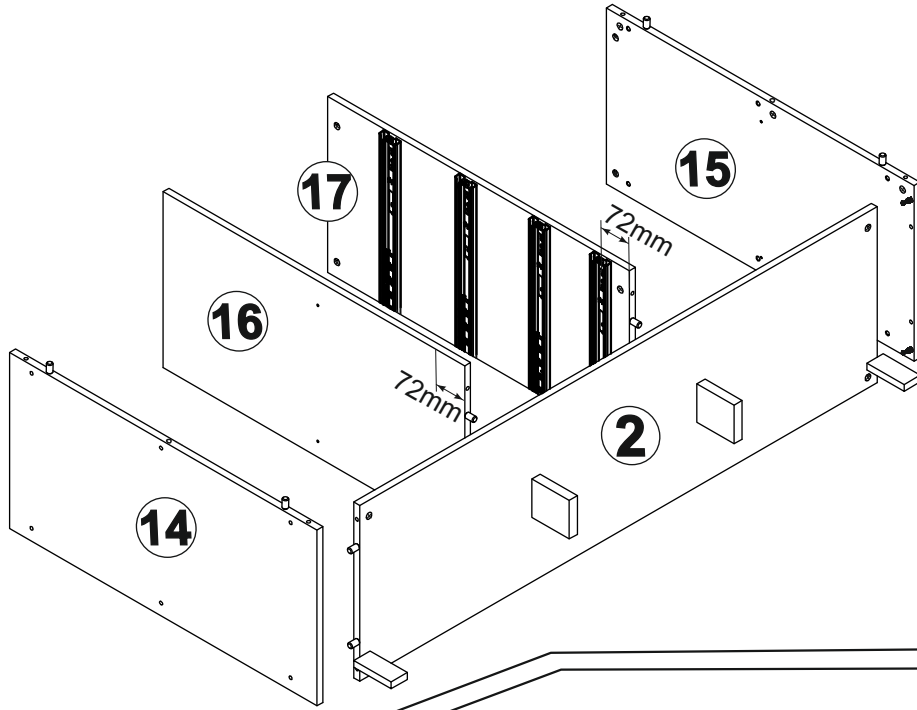


1 

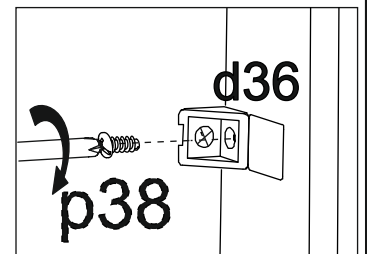
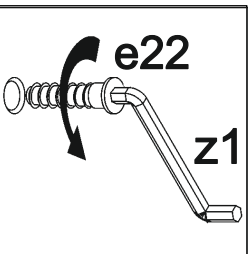
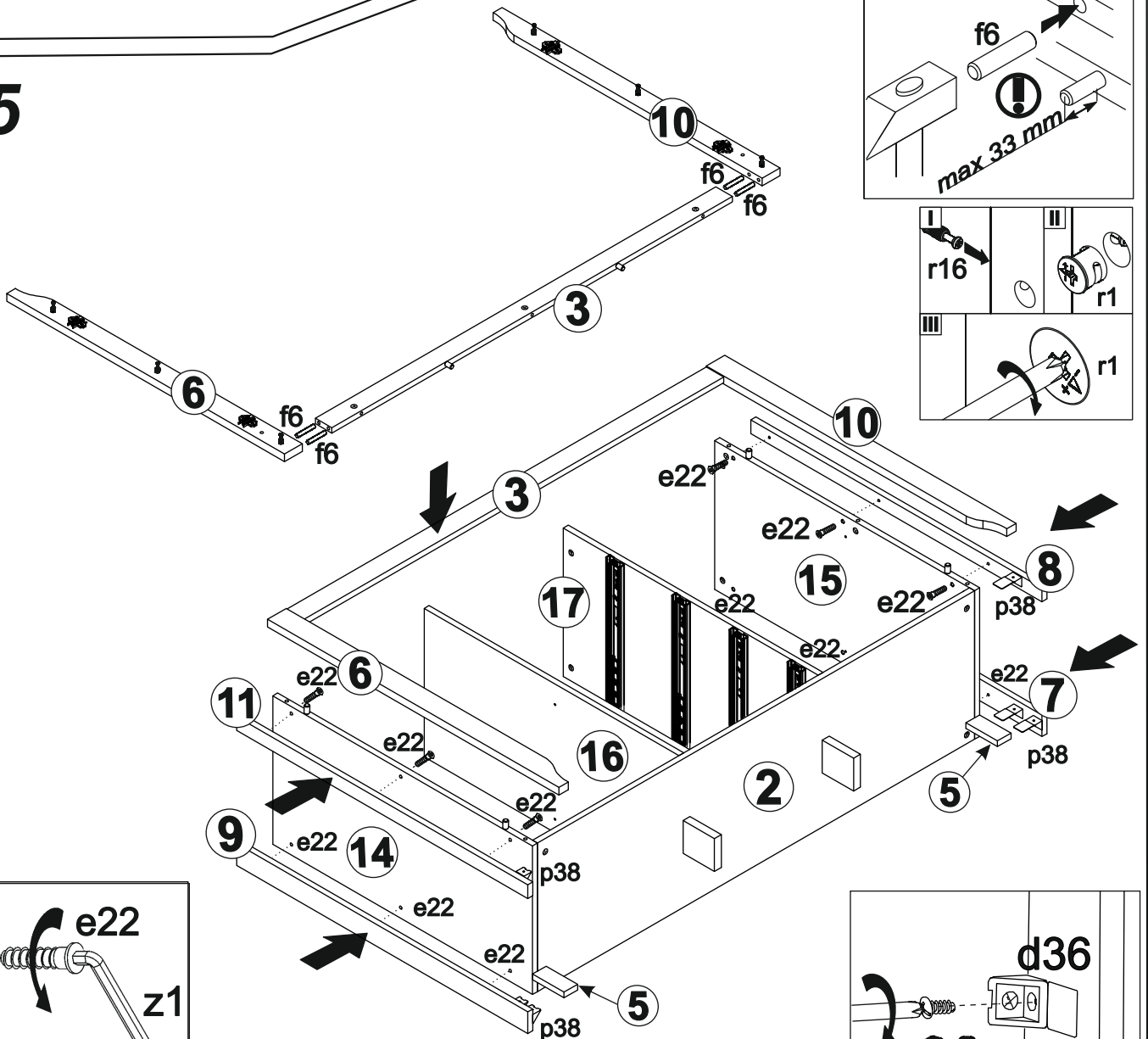




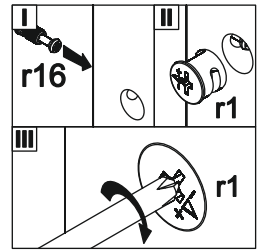
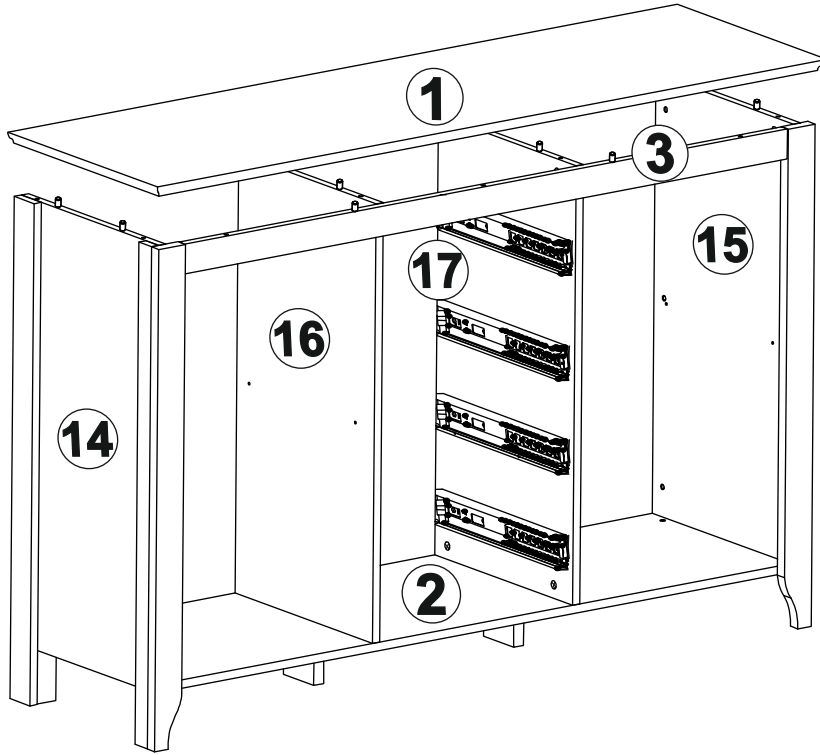
4



5



6



7

