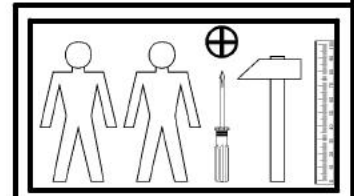
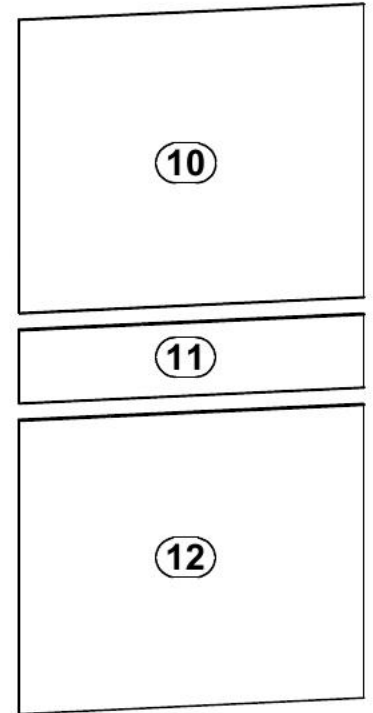
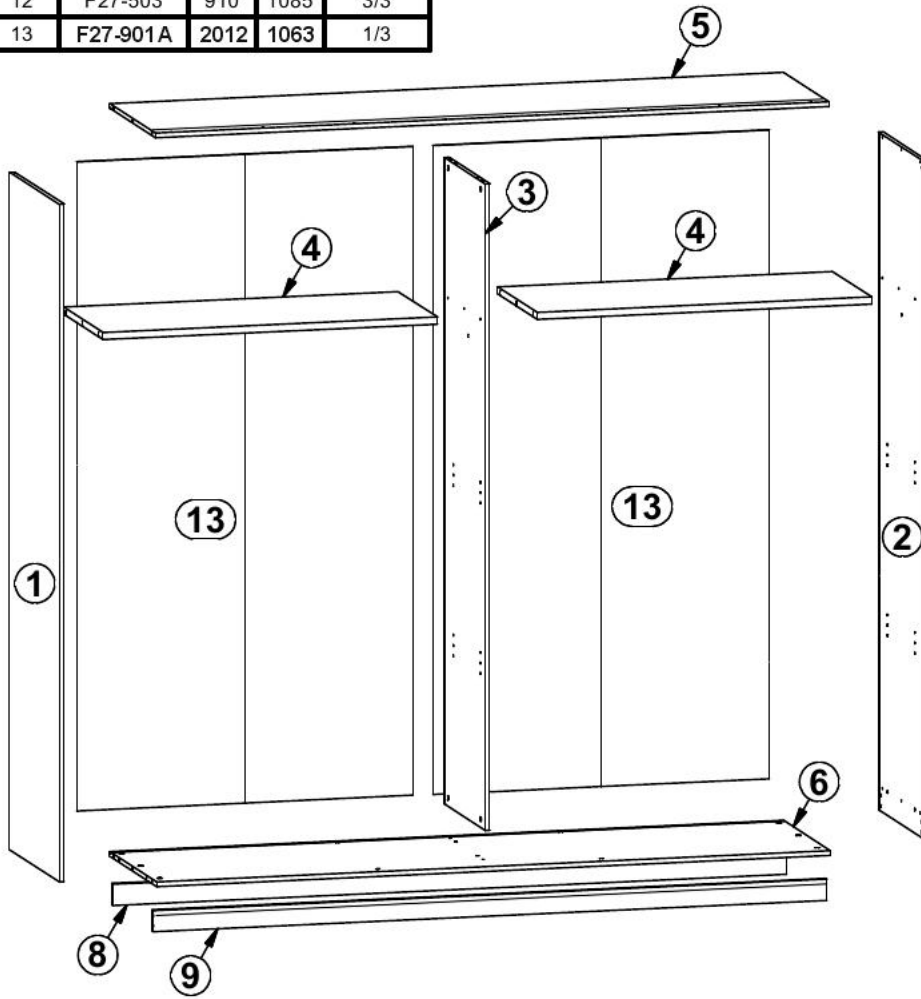
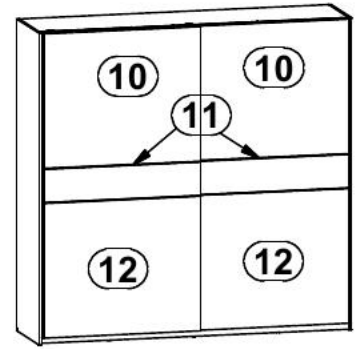


58-404-68 58-305-39
 89-030-65-4 58-305-98
 58-021-68 58-404-A5

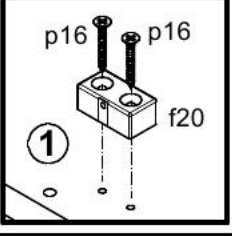
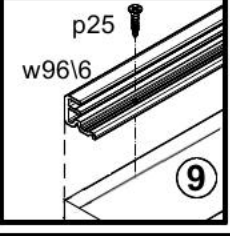
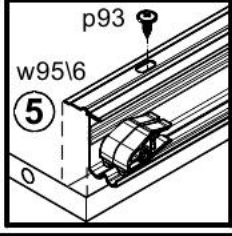
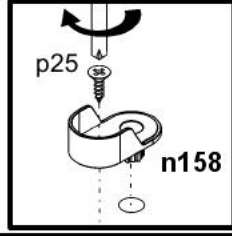
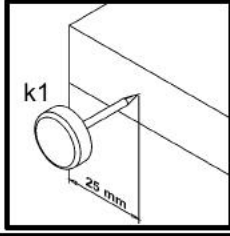
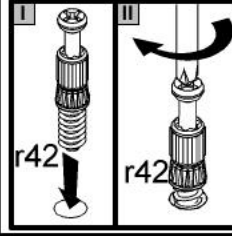
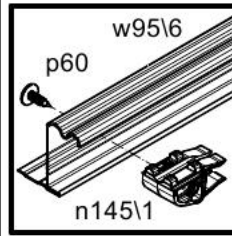
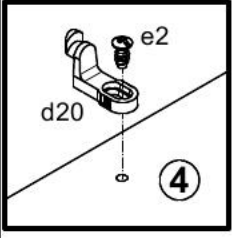
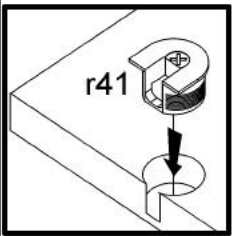
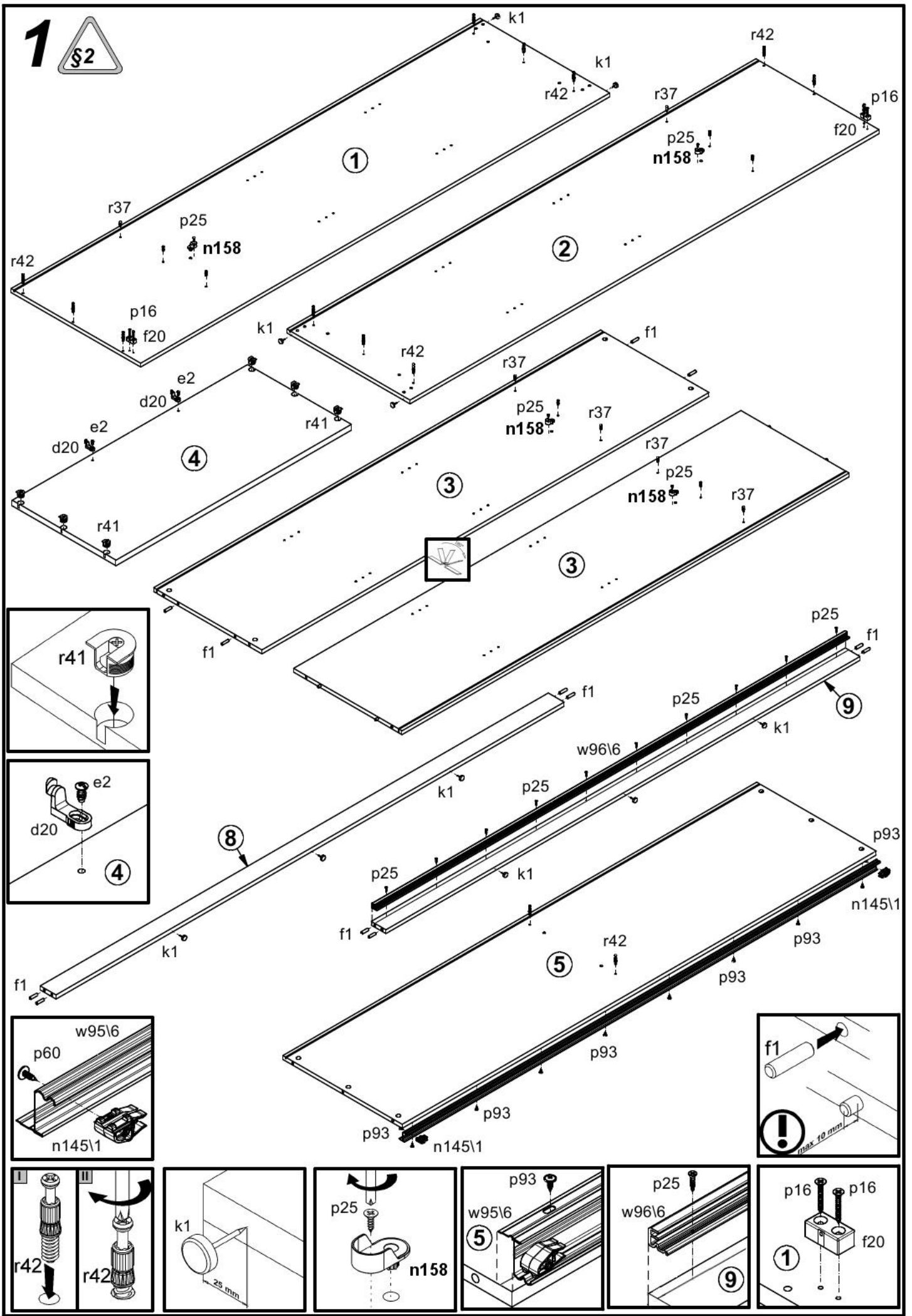
F27-SZF/215/210/3

A	B	C	D	
1	F27-101	2100	580	1/3
2	F27-102	2100	551	1/3
3	F27-103	2003	485	1/3
4	F27-301	1054	465	2/3
5	F27-302	2123	535	2/3
6	F27-303	2123	550	2/3
7	F27-304	1053	465	1/1
8	F27-401	2123	66	2/3
9	F27-402	2123	66	2/3
10	F27-501	910	1085	3/3
11	F27-502	1085	230	3/3
12	F27-503	910	1085	3/3
13	F27-901A	2012	1063	1/3

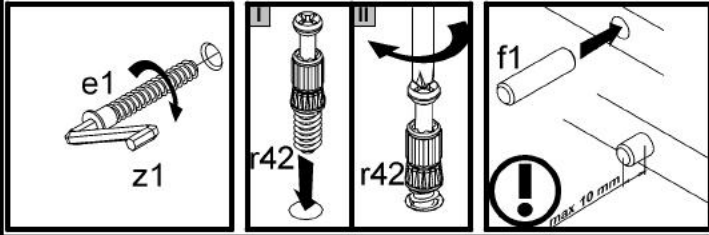
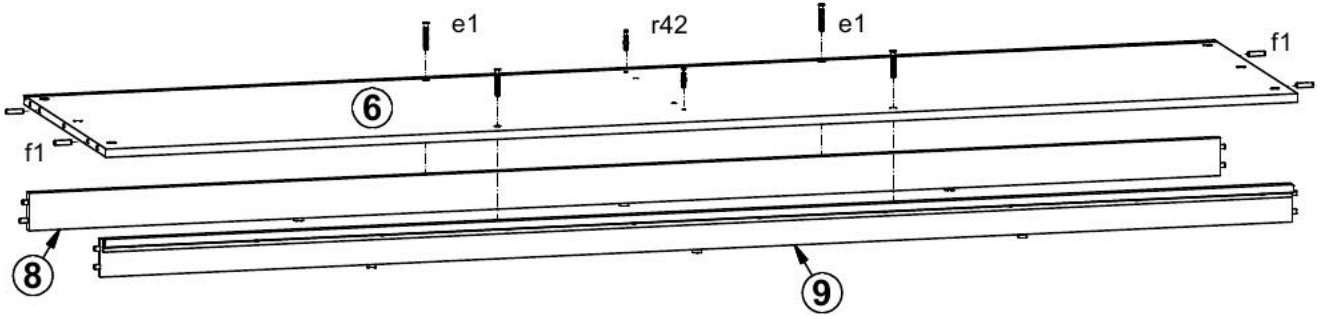


2x dr-1049	4x e1 Ø7x50 mm	4x e2 Ø6.3x13 mm	16x f1 Ø8x30 mm	2x f20	10x k1	28x l2	4x n158	8x n76
2x n142	2x n143	1x n144	2x n145	2x n146	2x n147	15x p25 Ø3.5x16 mm	4x p16 Ø3.5x25 mm	32x p19 Ø4x16 mm
2x p60 Ø4x22 mm	96x p93 Ø4x13 mm	16x r1 Ø15x12 mm #16	12x r37	12x r41 Ø20x13.5 mm #19	16x r42	4x s1	16x s2 Ø16	2x w118/1 Ø2050 mm
2x w118/2 Ø2050 mm	1x w95/6 Ø118 mm	1x w96/6 Ø118 mm	1x z1	4x d20				

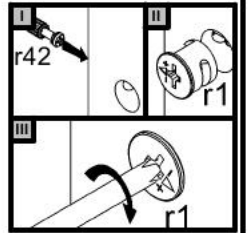
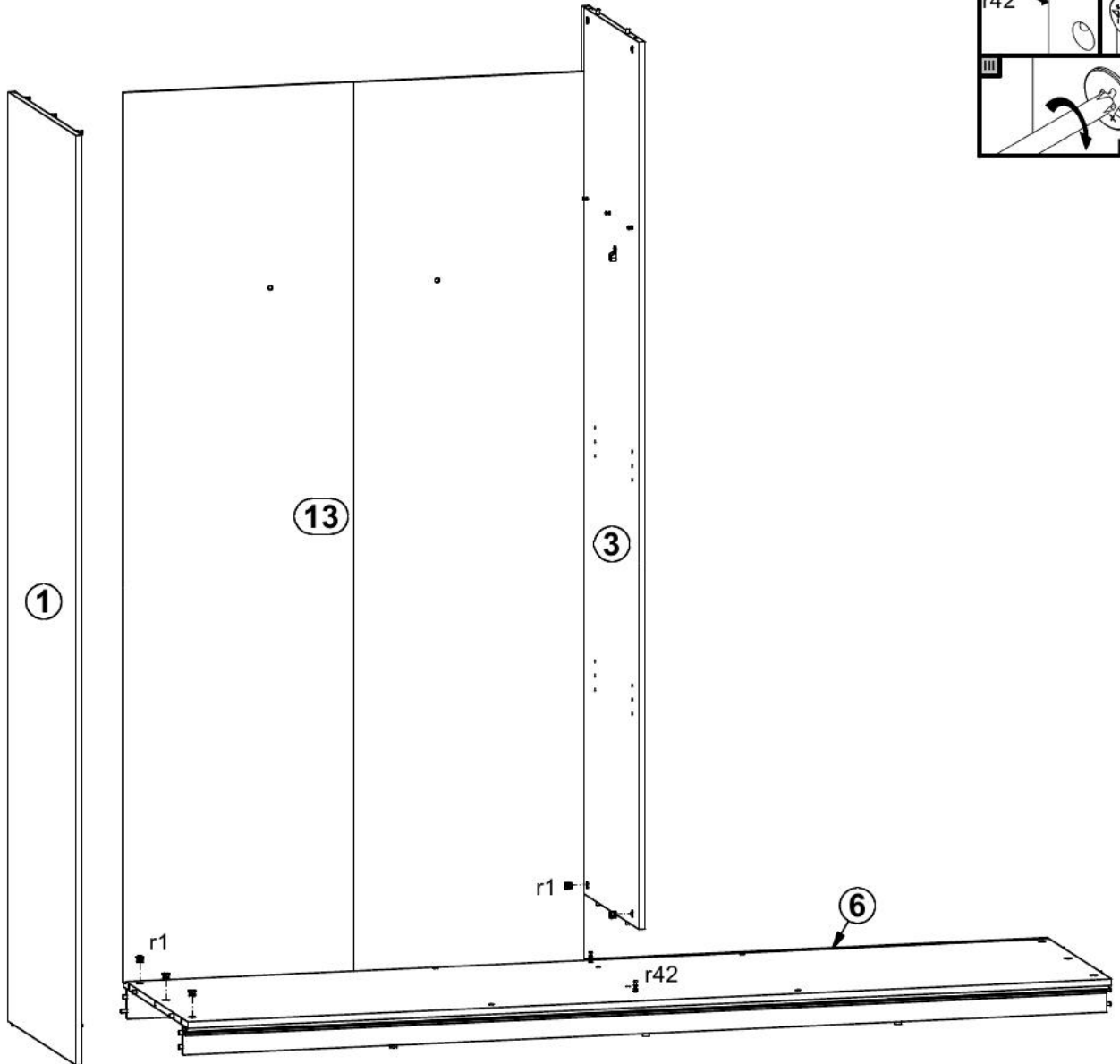
1 §2



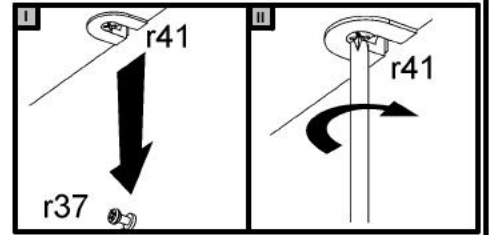
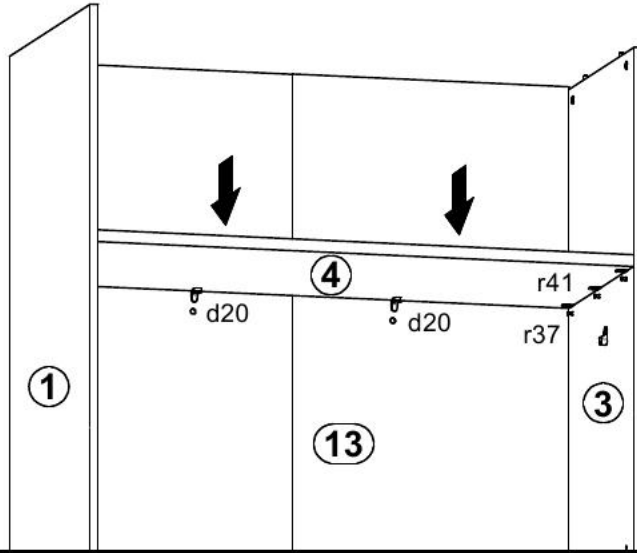
2



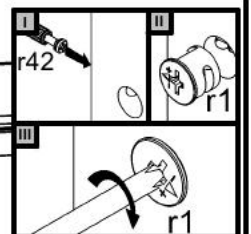
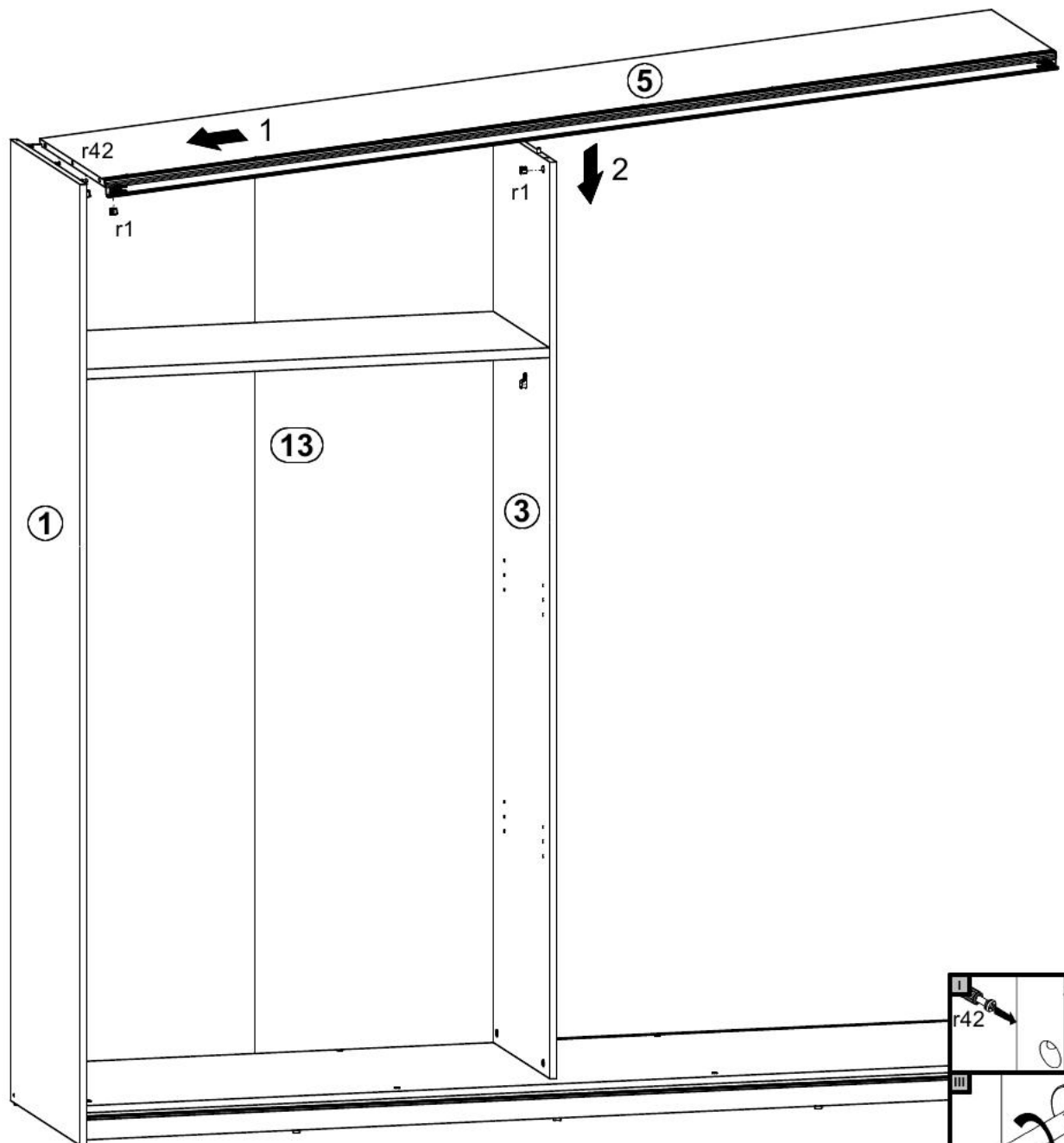
3



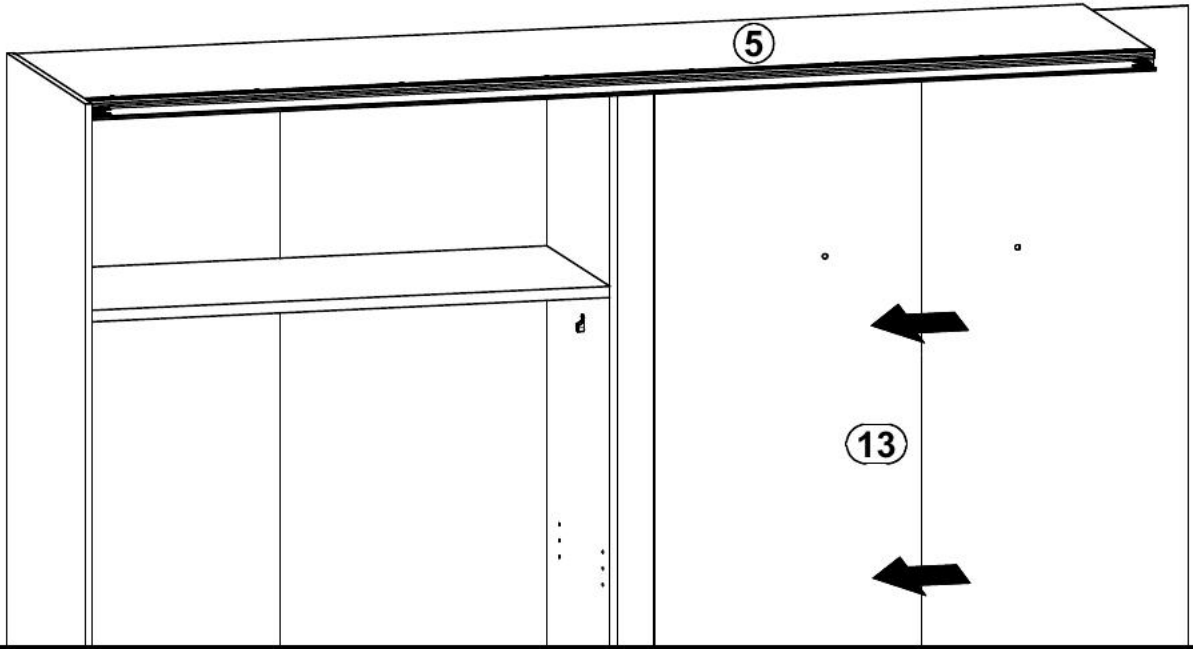
4



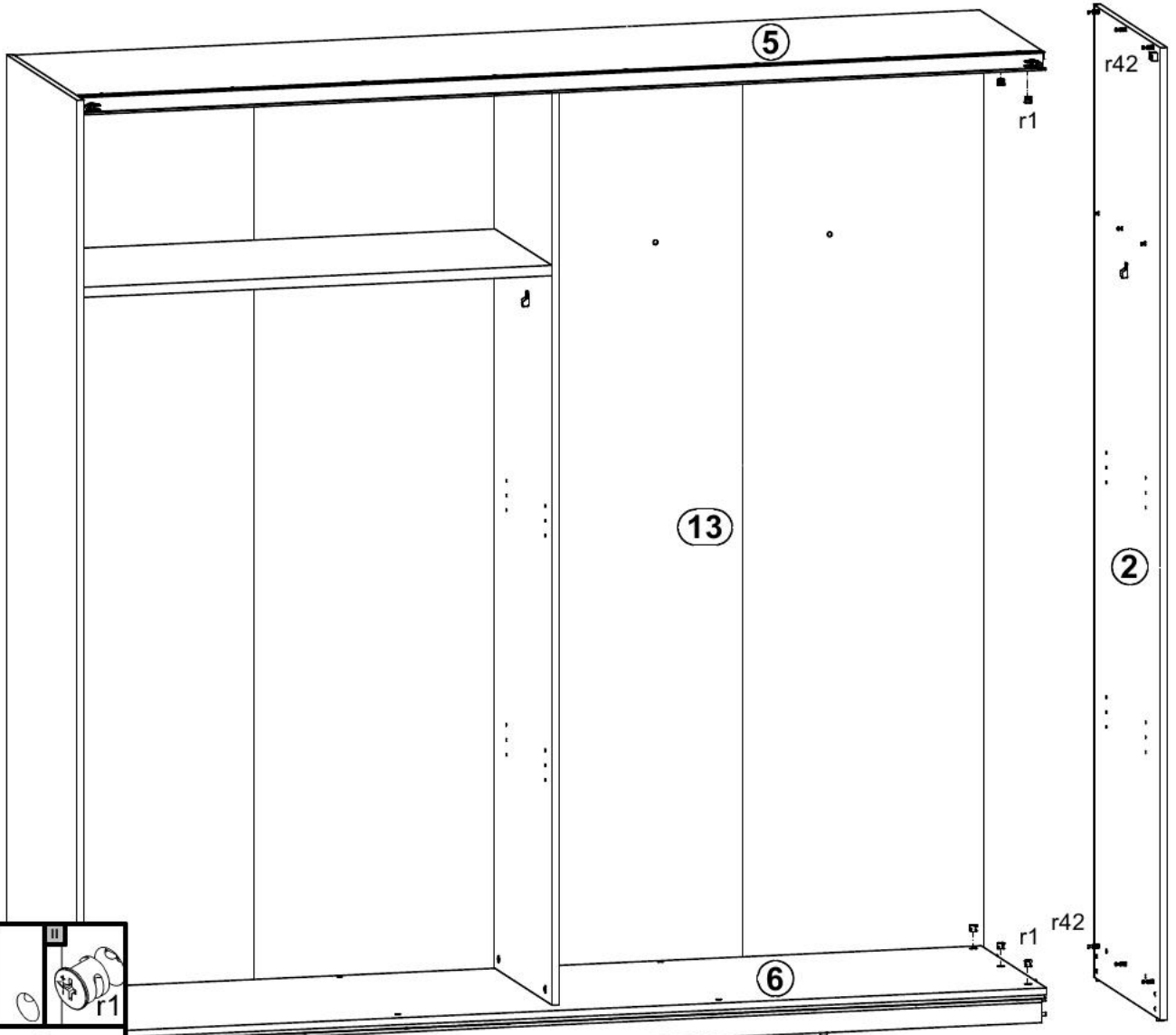
5



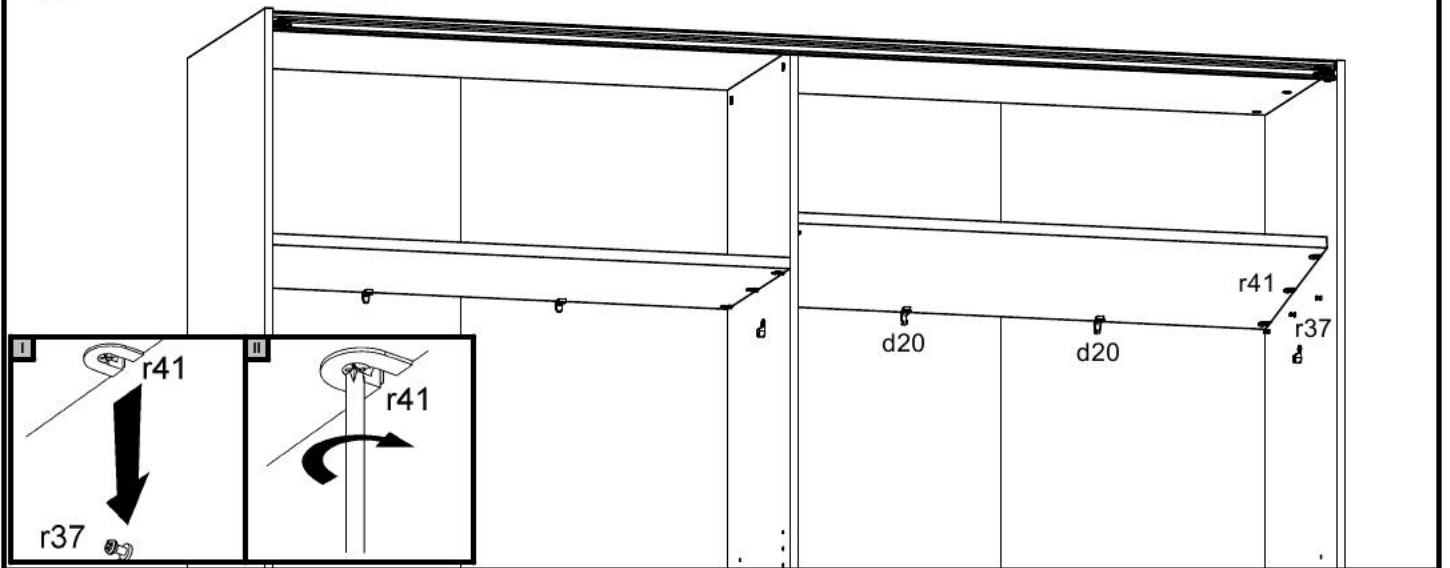
6



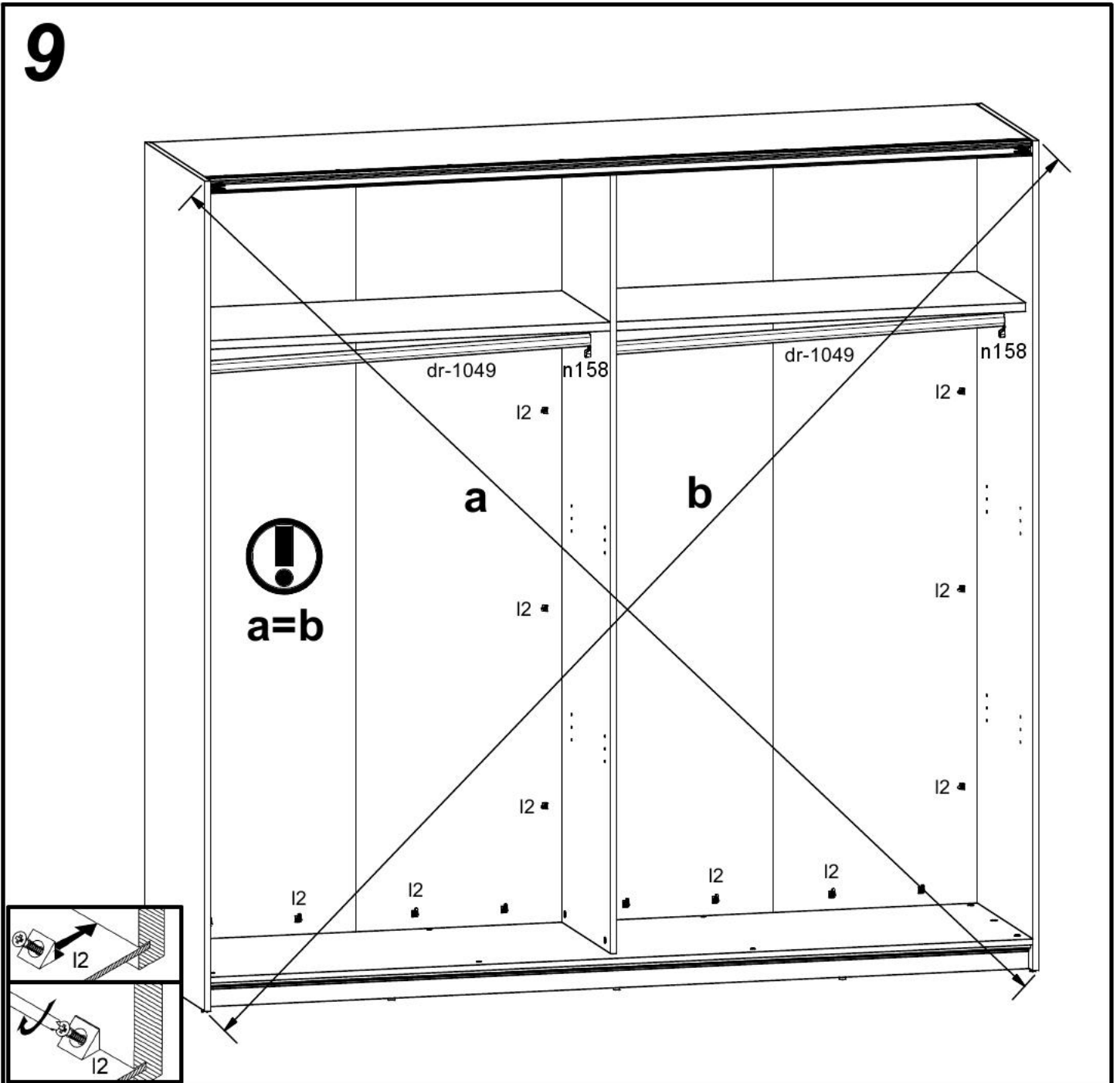
7



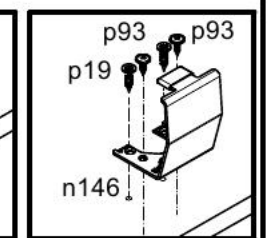
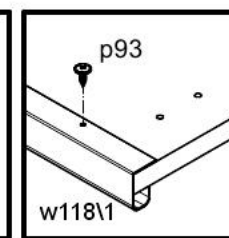
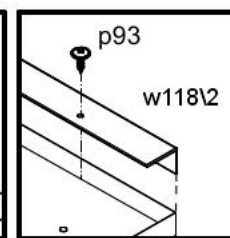
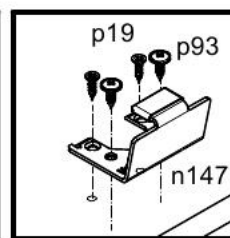
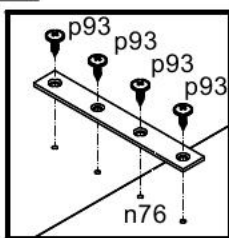
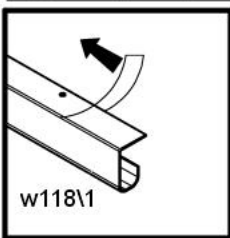
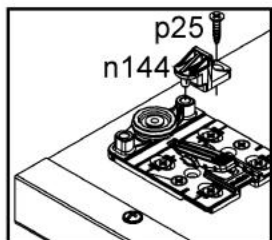
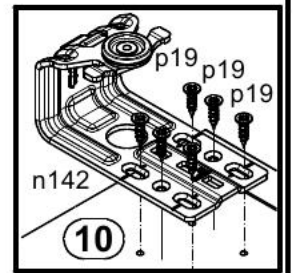
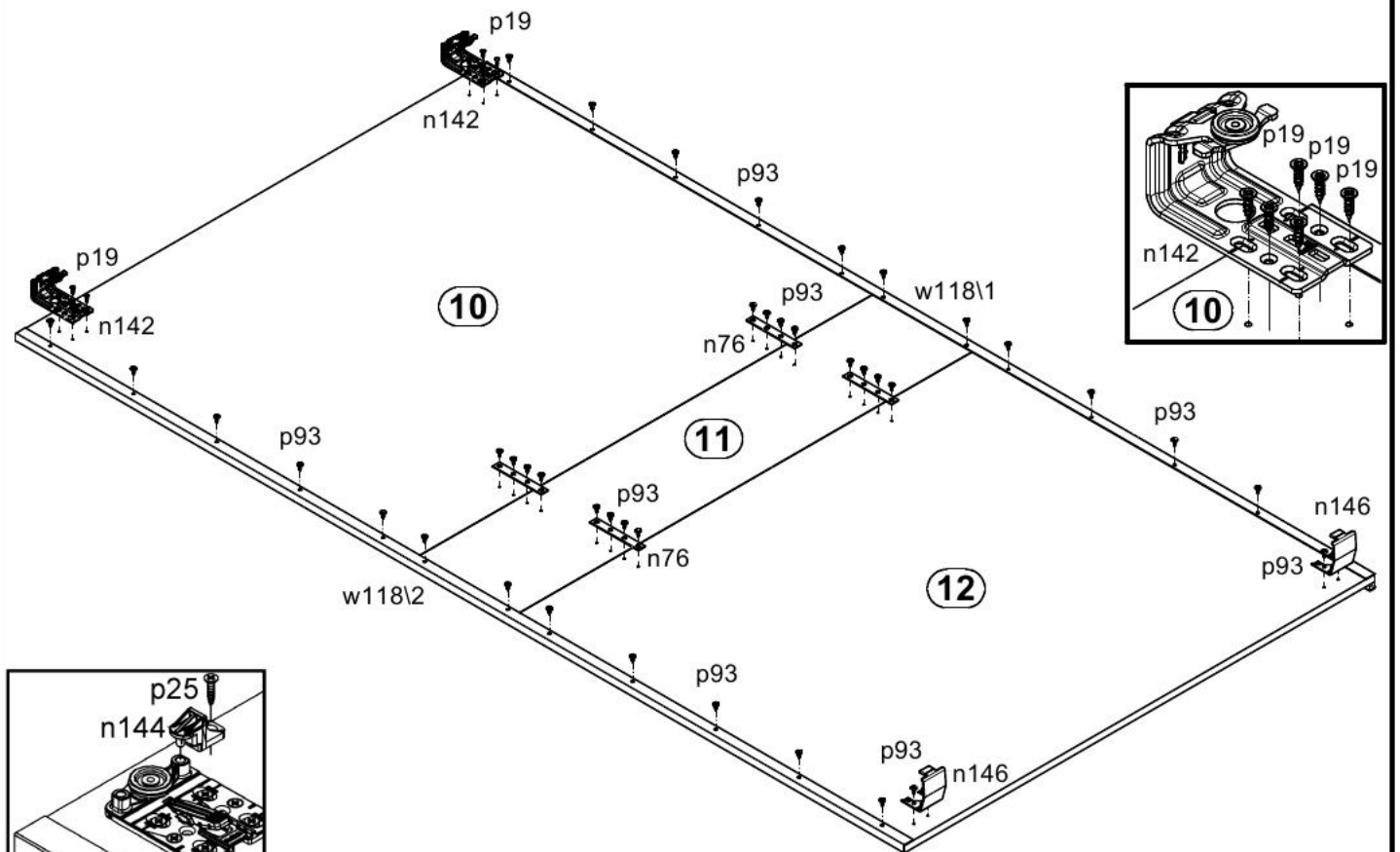
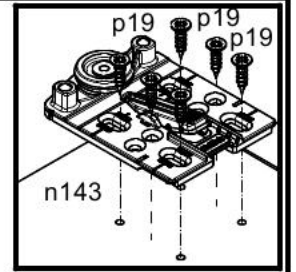
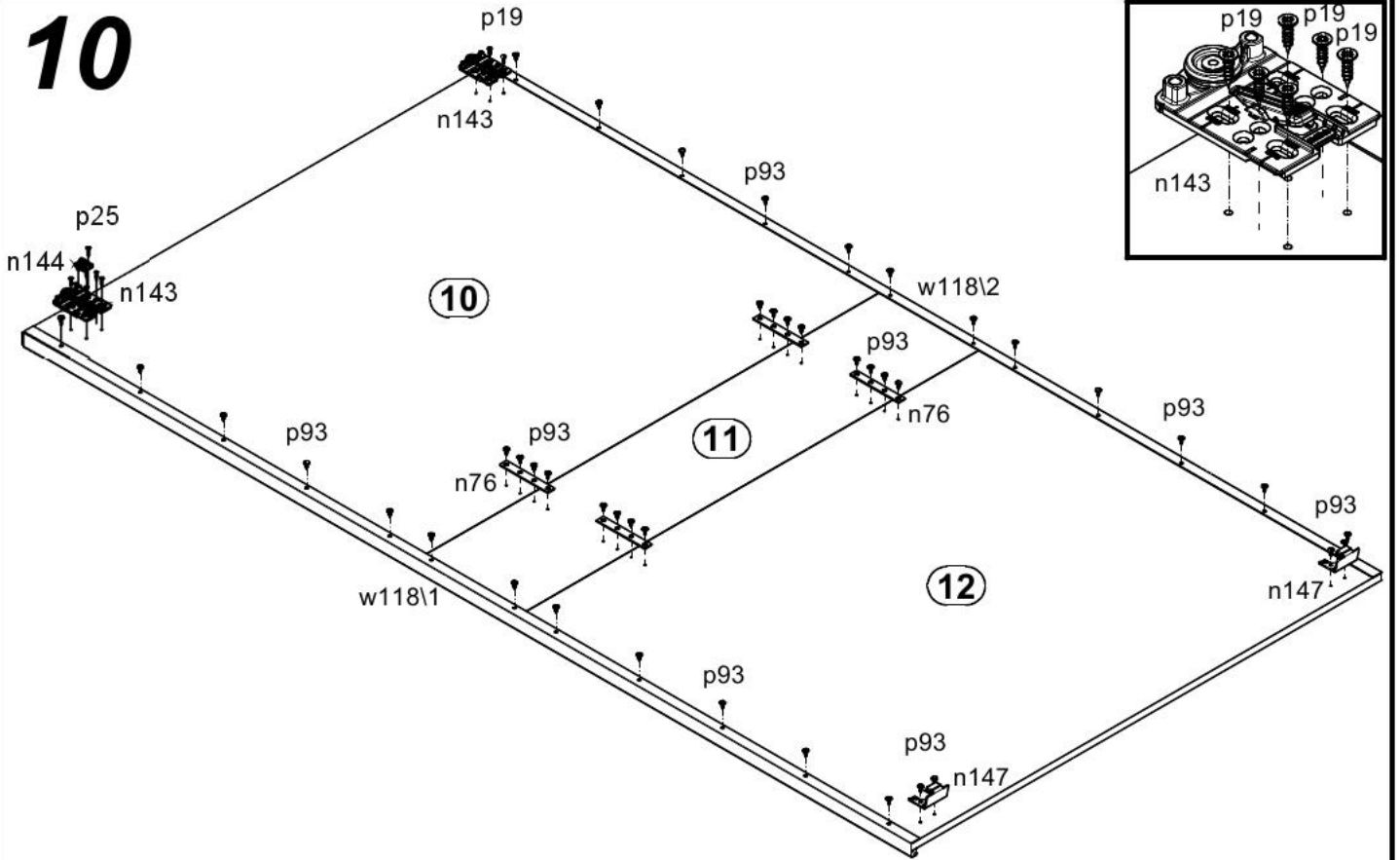
8



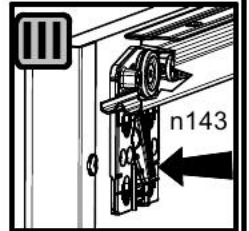
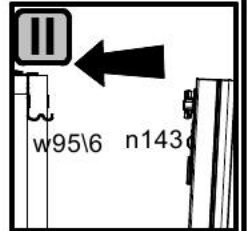
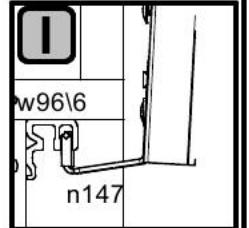
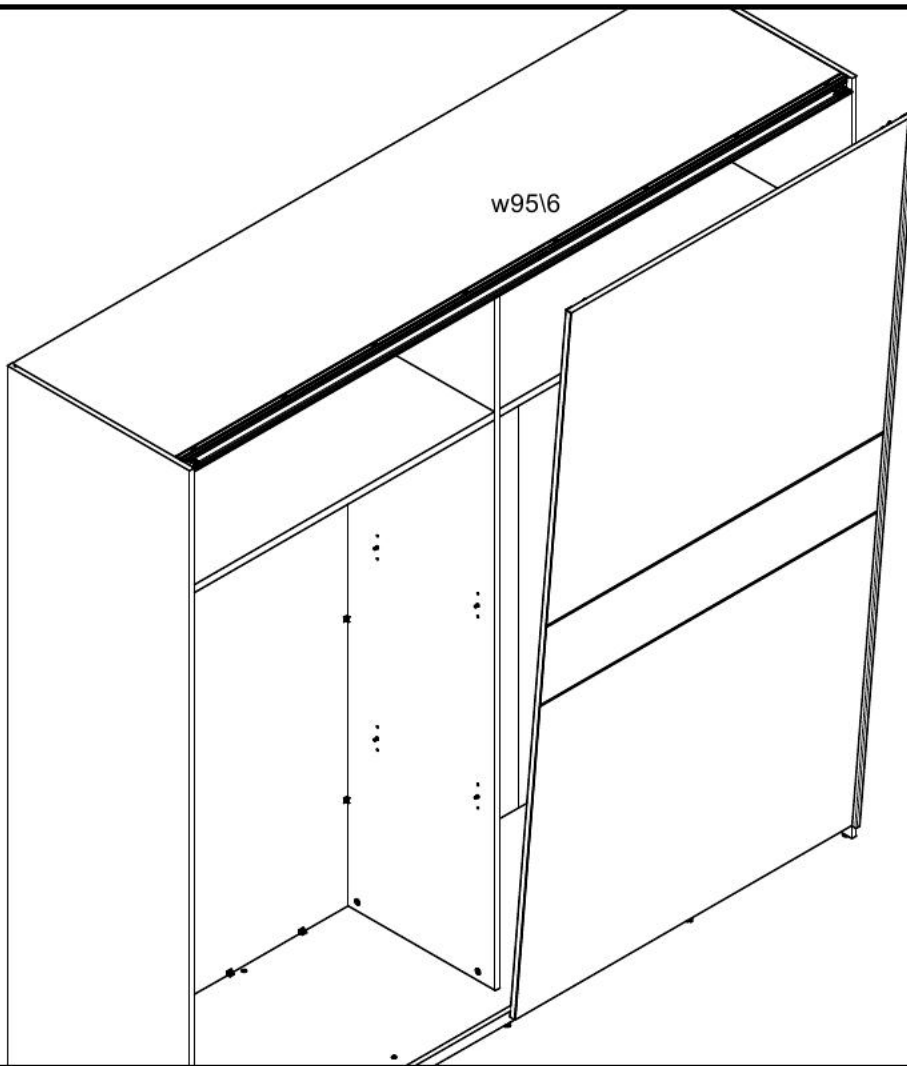
9



10



9



10

