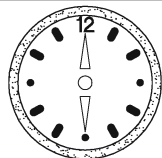
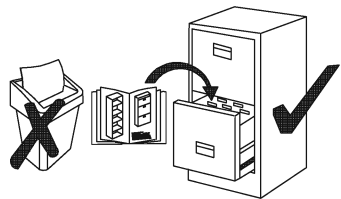
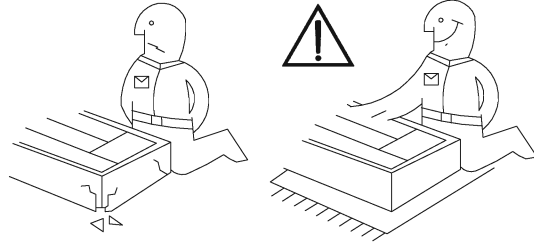
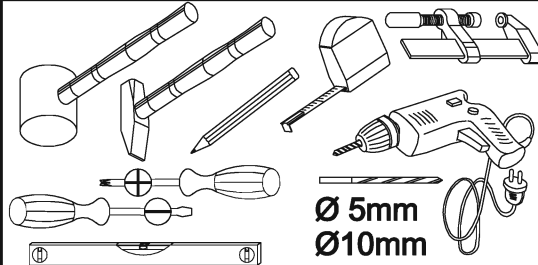
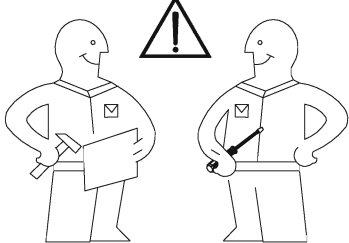


Jméno:

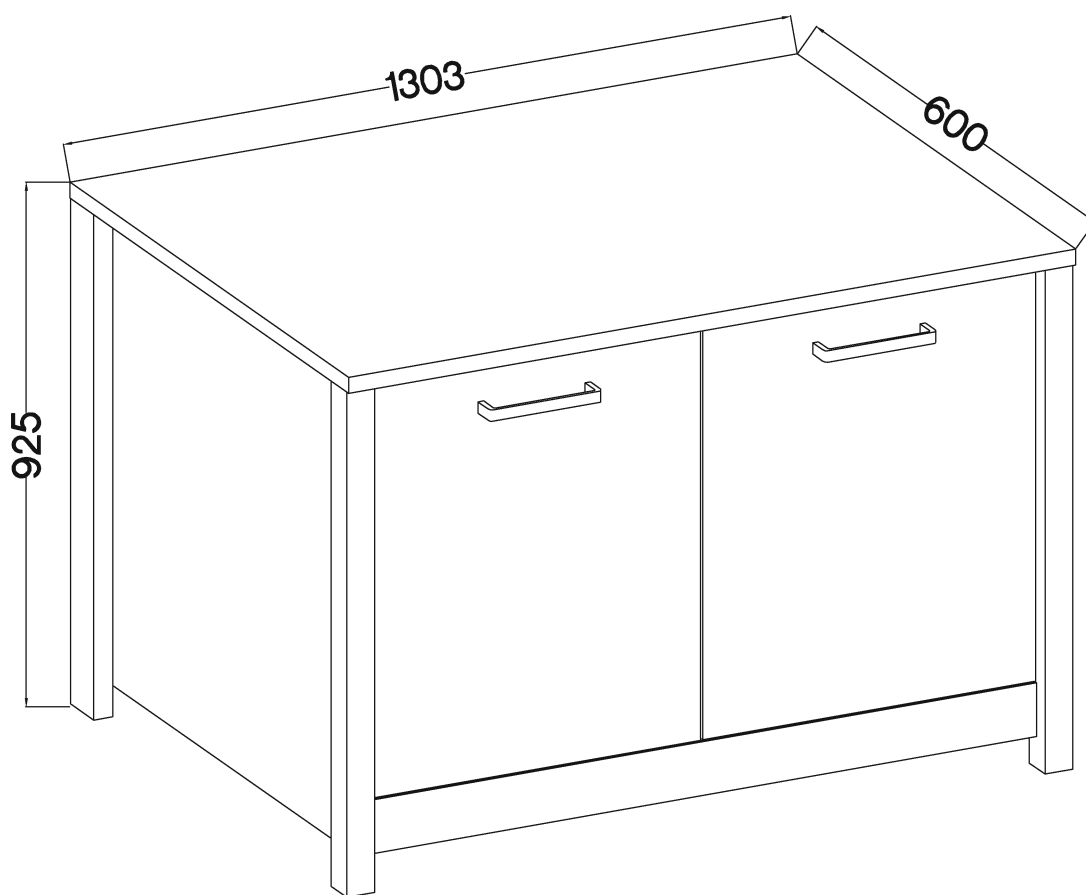
Model:



60 min

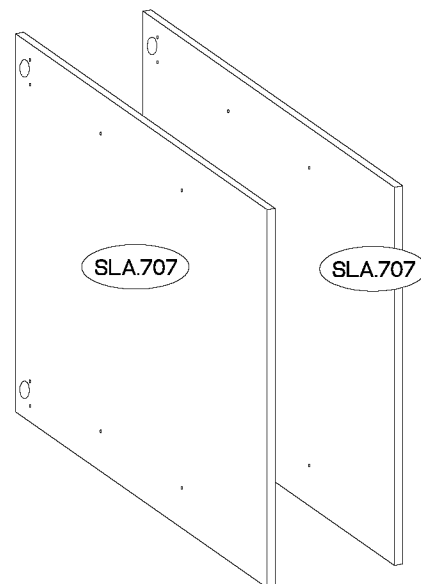
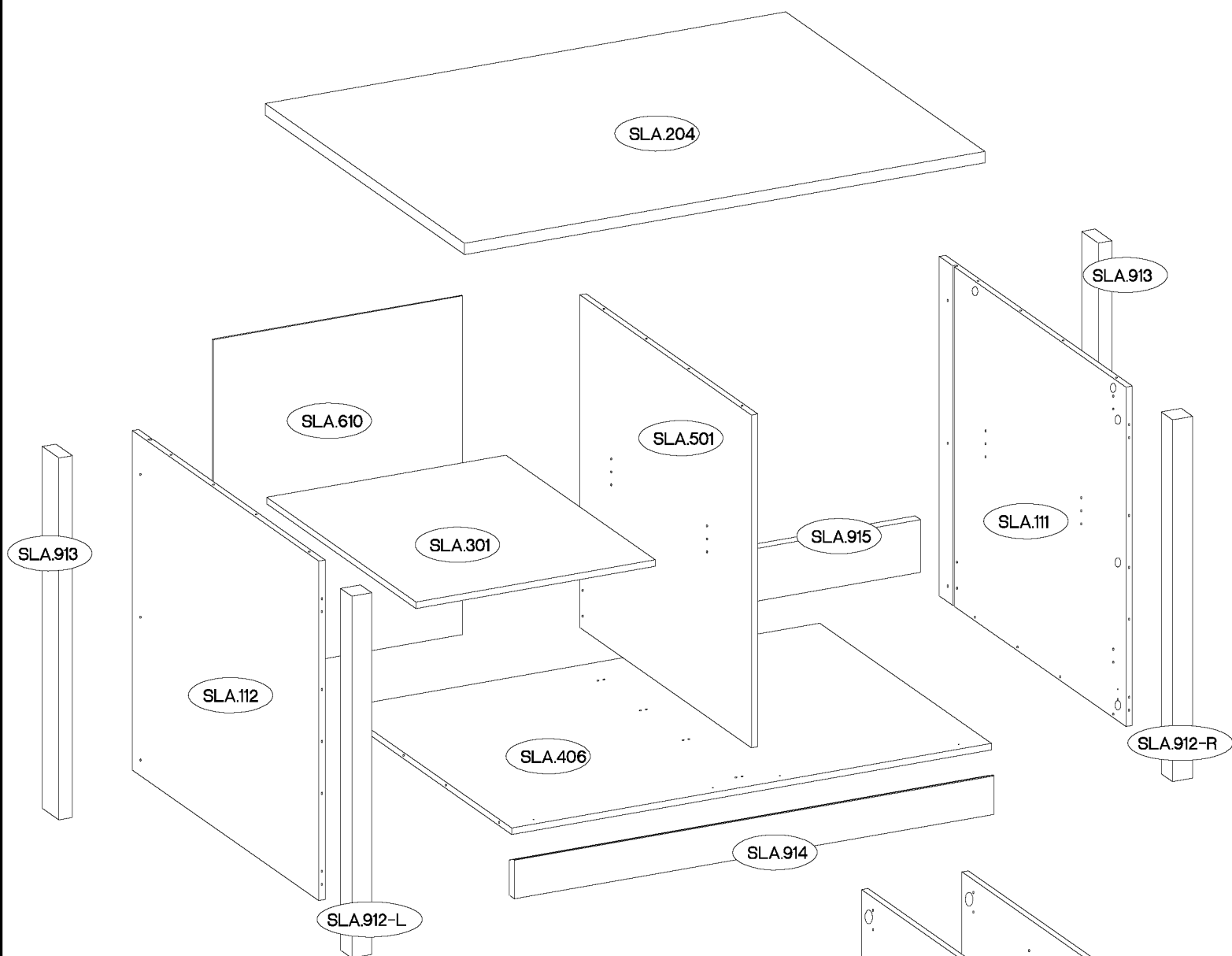


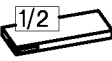
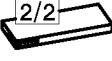
LE TRI
+ FACILE

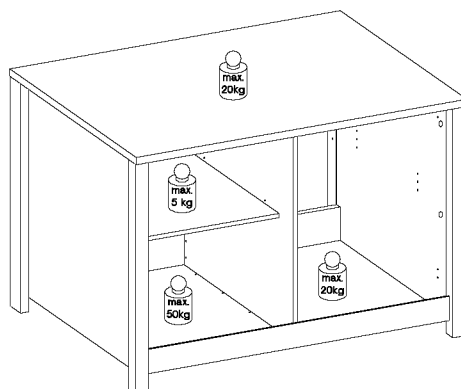


†8x30mm A 16	6,4 x 35mm B1 6	†15/12mm C 22	L=20mm D2 22	 E 14	†35mm E5 2	L=28 mm F37 4	L=60-80mm F38 1	†35/16mm [CD] HG2 4		
†5/16mm J3 5	†8/11mm J41 4	 L 4	 L28 1	 O 1	†4.0x16mm P1 4	†3.5x13mm P5 16	†3.0x20mm P7 11	L=160mm S 2	 T3 2	M4x22mm U 4

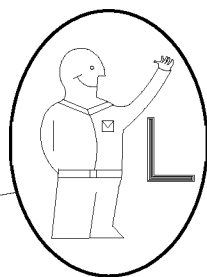
ISM-SLA-006



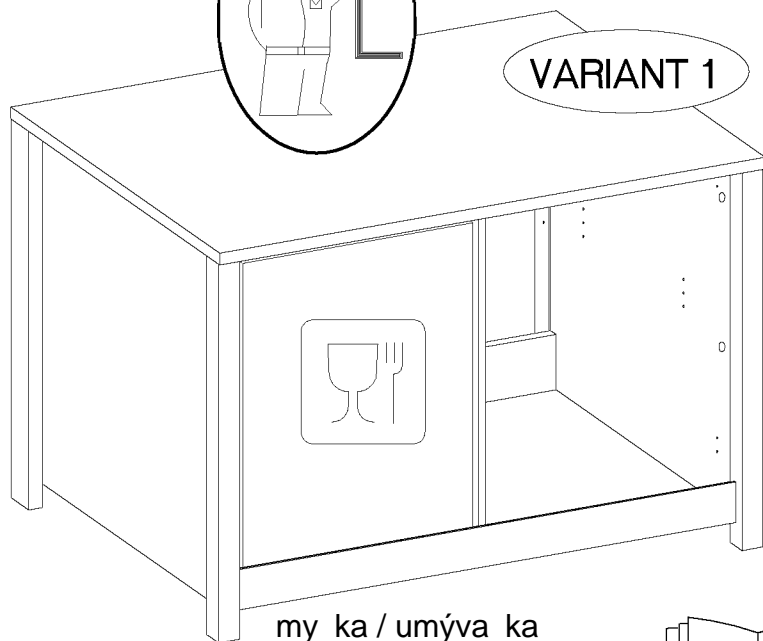
	číslo dílu / číslo dielu	Rozměry/Rozmery
	SLA.111	837x530x16
	SLA.112	837x561x16
	SLA.501	820x517x16
	SLA.301	599x450x16
	SLA.912-R	892x50x34
	SLA.912-L	892x50x34
	SLA.913 x2	892x50x34
	SLA.204	1303x600x28
	SLA.406	1201x517x16
	SLA.914	1201x95x16
	SLA.915	585x130x16
	SLA.610	835x624x2,5
	SLA.707 x2	734x596x16



Levá strana / avá strana

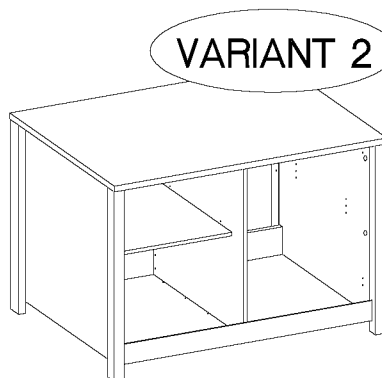


VARIANT 1

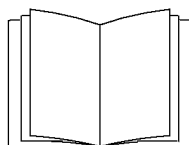


my ka / umýva ka

VARIANT 2



úložný prostor / úložný priestor

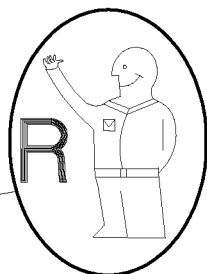


1

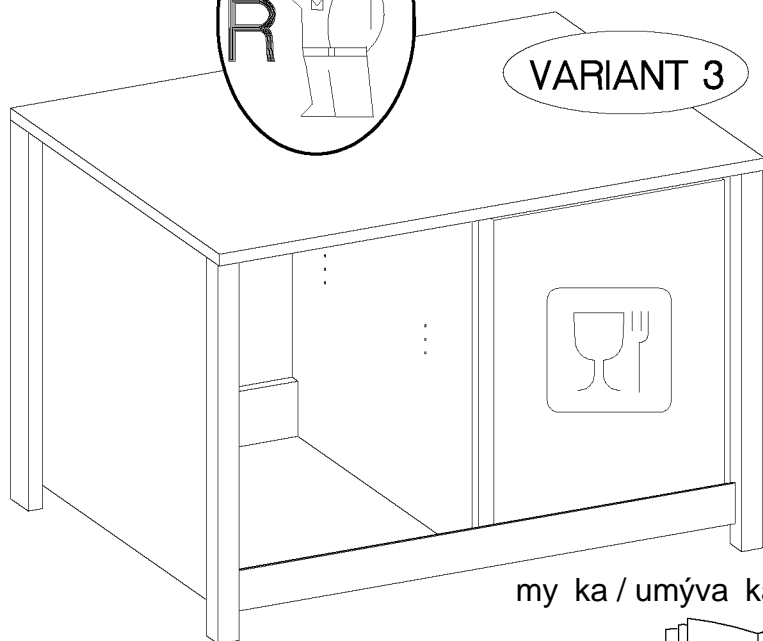
—

14

Pravá strana

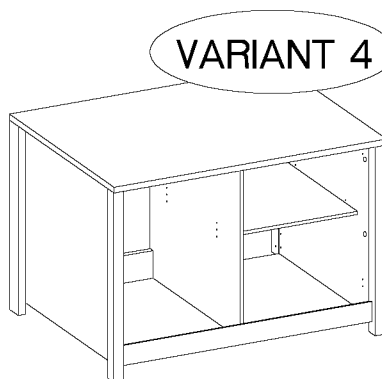


VARIANT 3

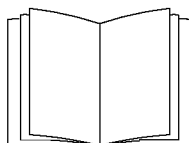


my ka / umýva ka

VARIANT 4



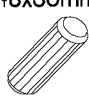
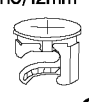
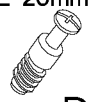
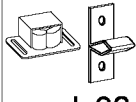


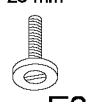


úložný prostor / úložný priestor

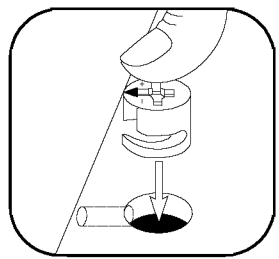
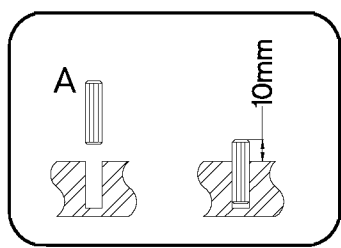
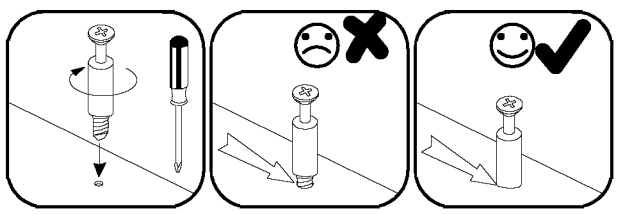
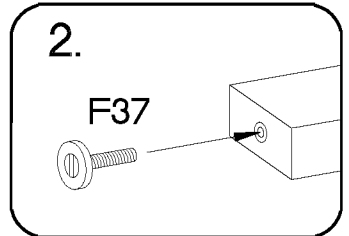
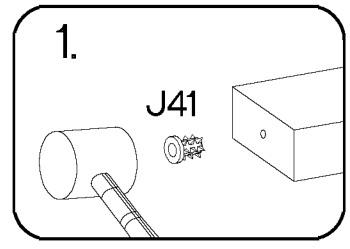
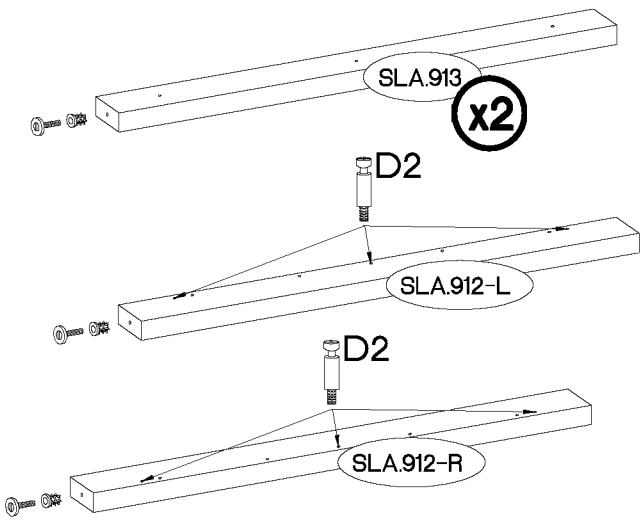
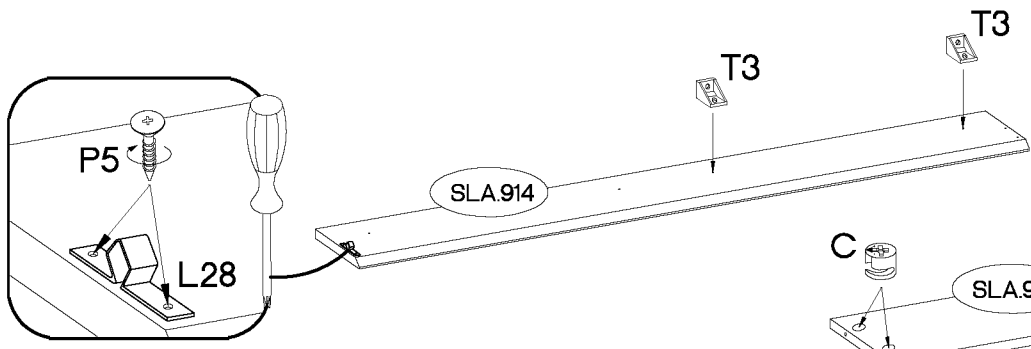
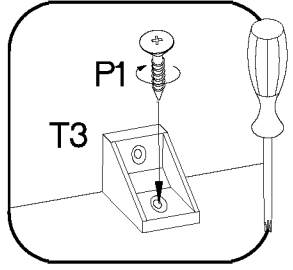
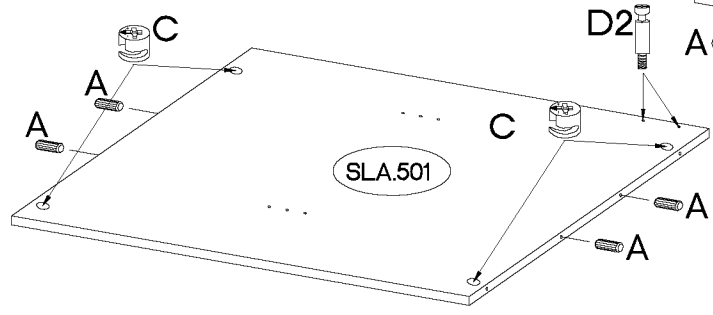
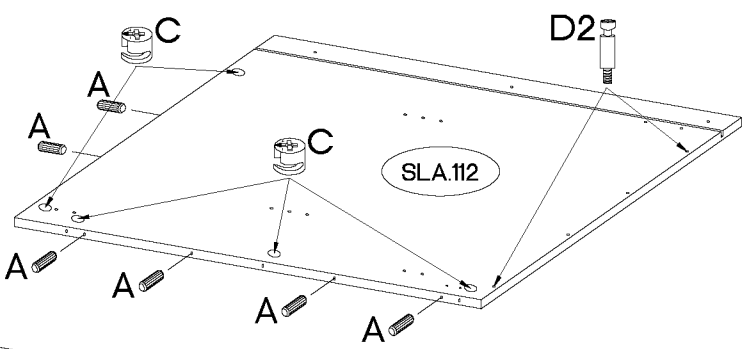
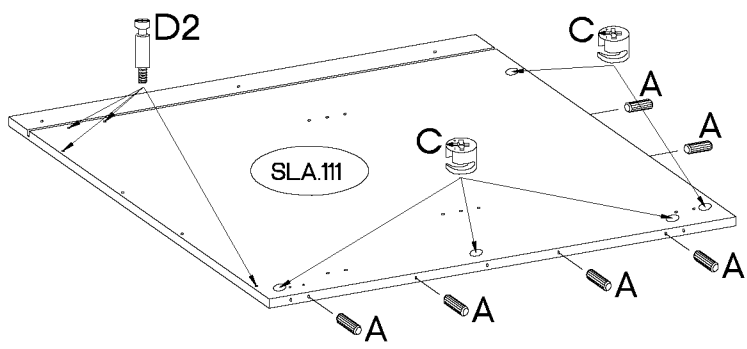
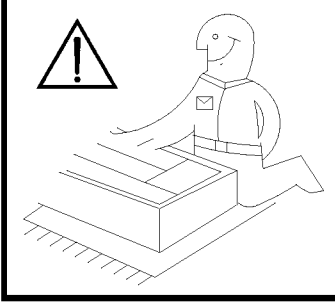


15


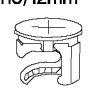



—

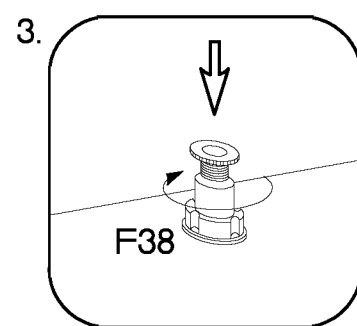
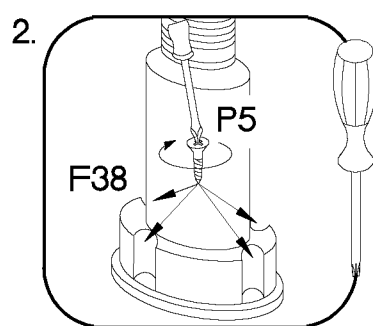
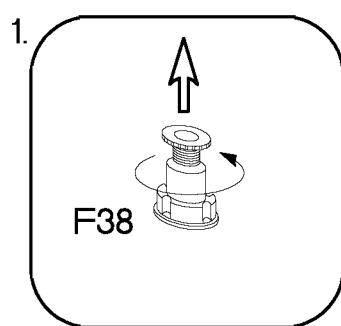
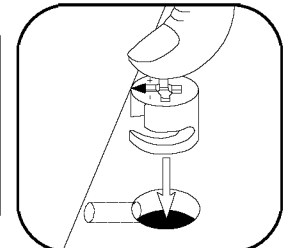
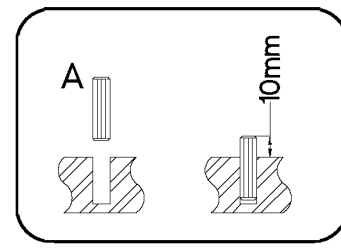
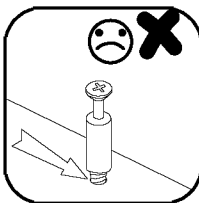
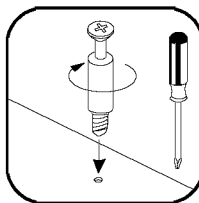
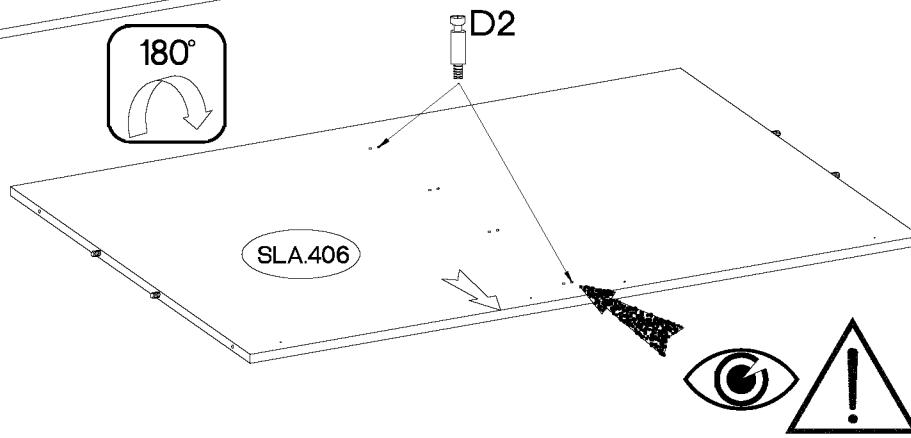
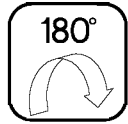
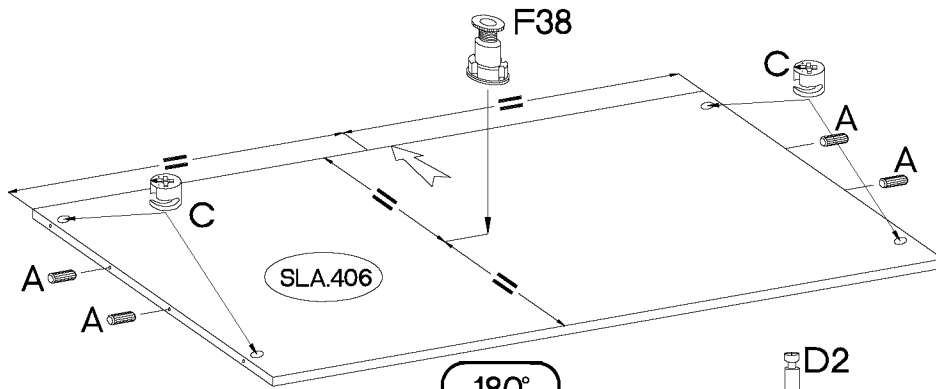
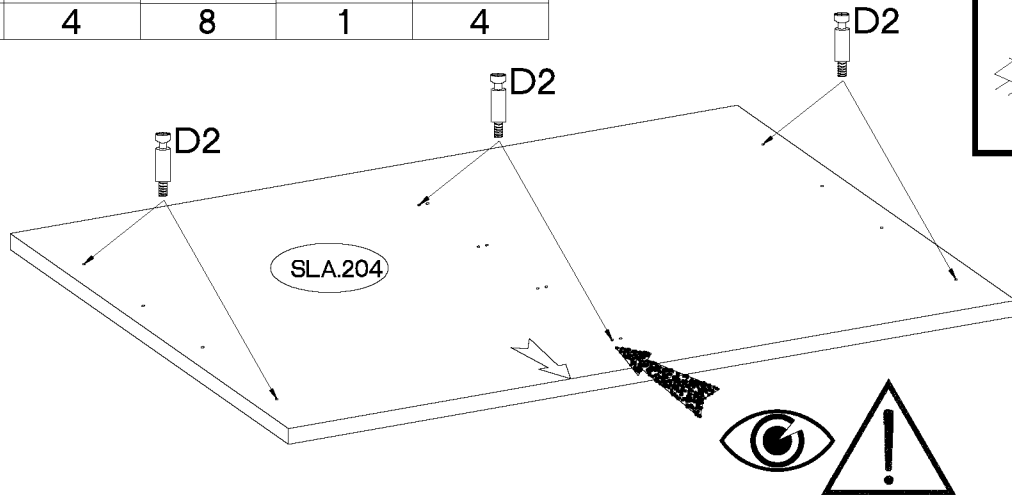
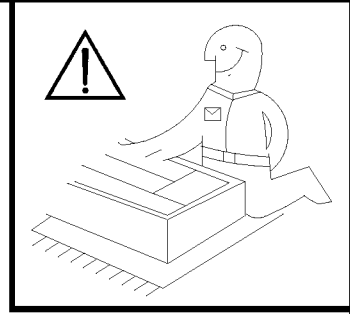
28

<p>†8x30mm</p>  <p>A</p> <p>16</p>	<p>†15/12mm</p>  <p>C</p> <p>18</p>	<p>L=20mm</p>  <p>D2</p> <p>14</p>	 <p>L28</p> <p>1/2</p>	<p>†3.5x13mm</p>  <p>P5</p> <p>2</p>	<p>†8/11mm</p>  <p>J41</p> <p>4</p>	<p>L=28 mm</p>  <p>F37</p> <p>4</p>
				<p>†4.0x16mm</p>  <p>T3</p> <p>2</p>		 <p>P1</p> <p>2</p>



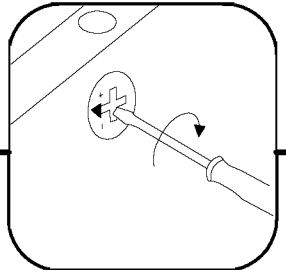
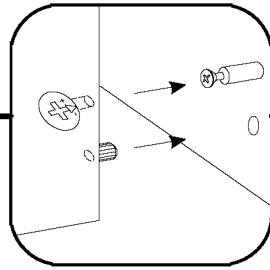
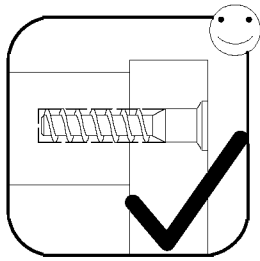
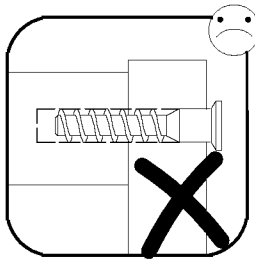
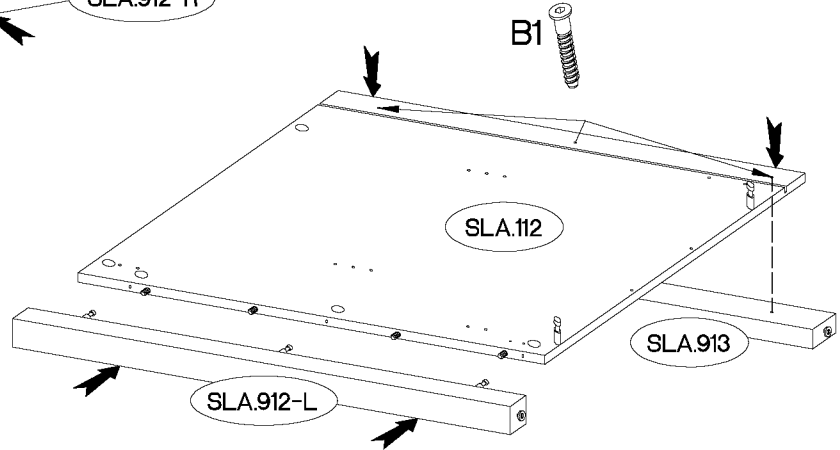
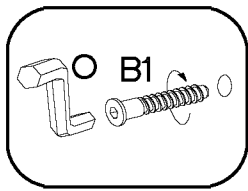
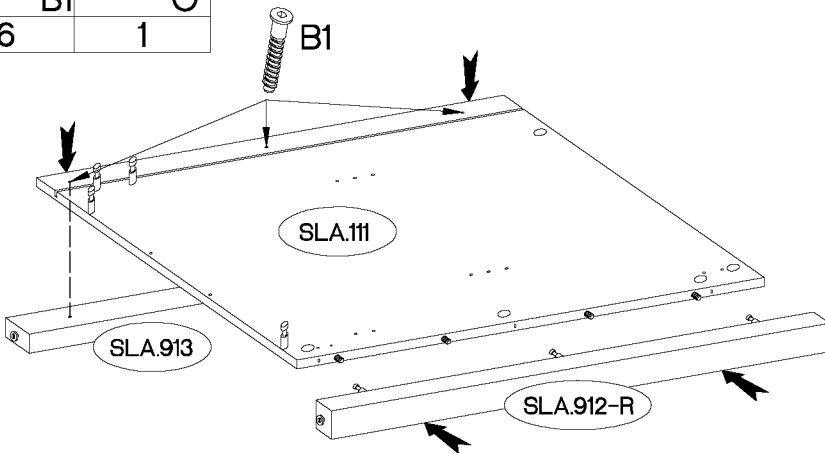
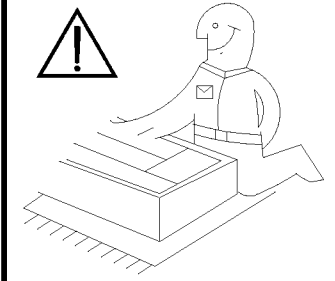
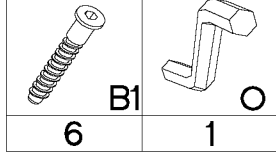
2

±8x30mm	±15/12mm	L=20mm	L=60-80mm	±3.5x13mm
				
A	C	D2	F38	P5
4	4	8	1	4

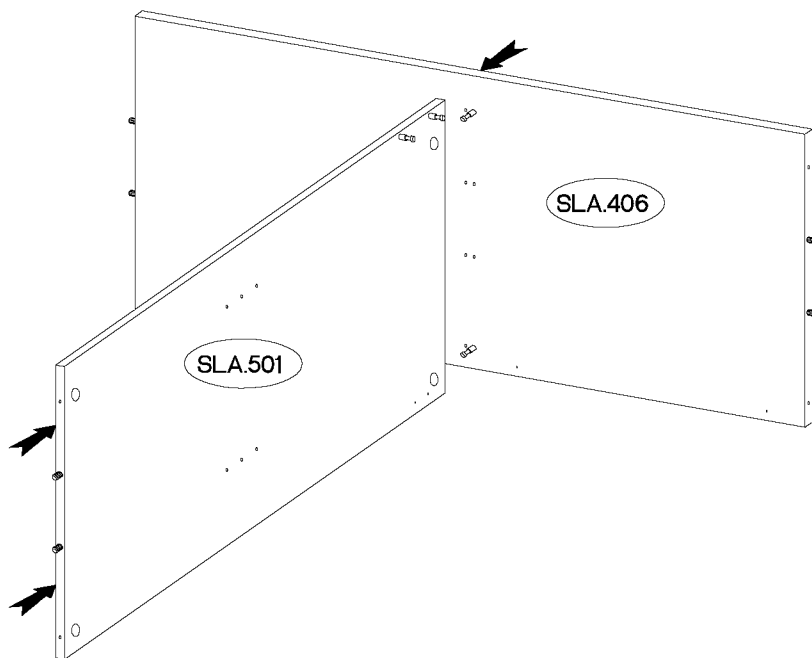


3

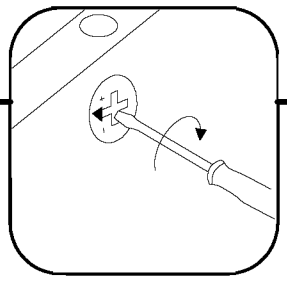
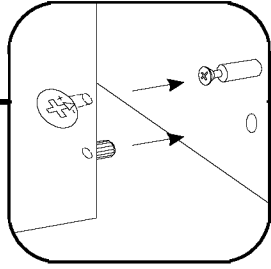
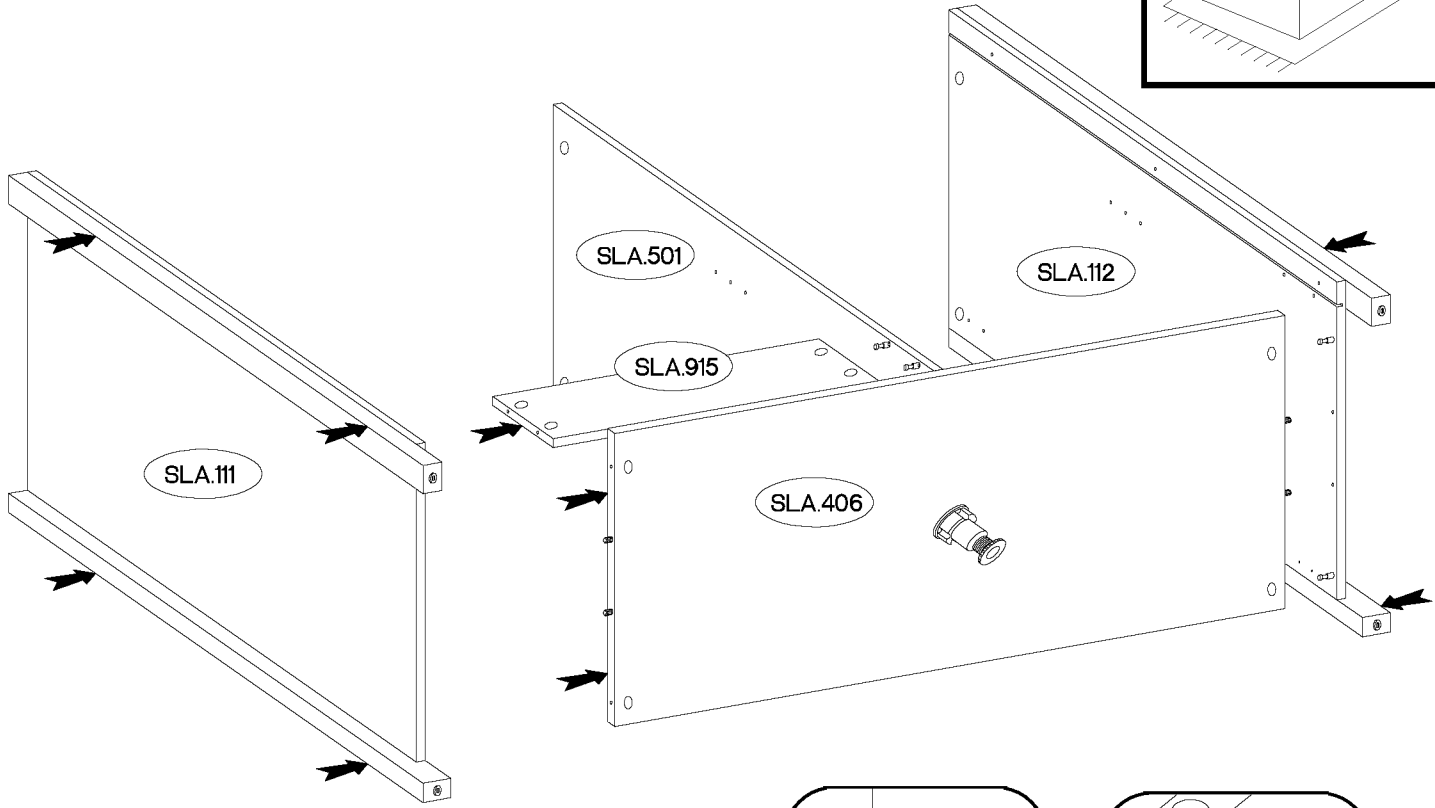
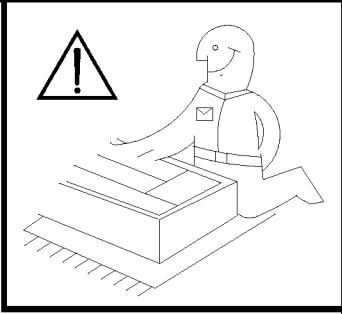
6,4 x 35mm



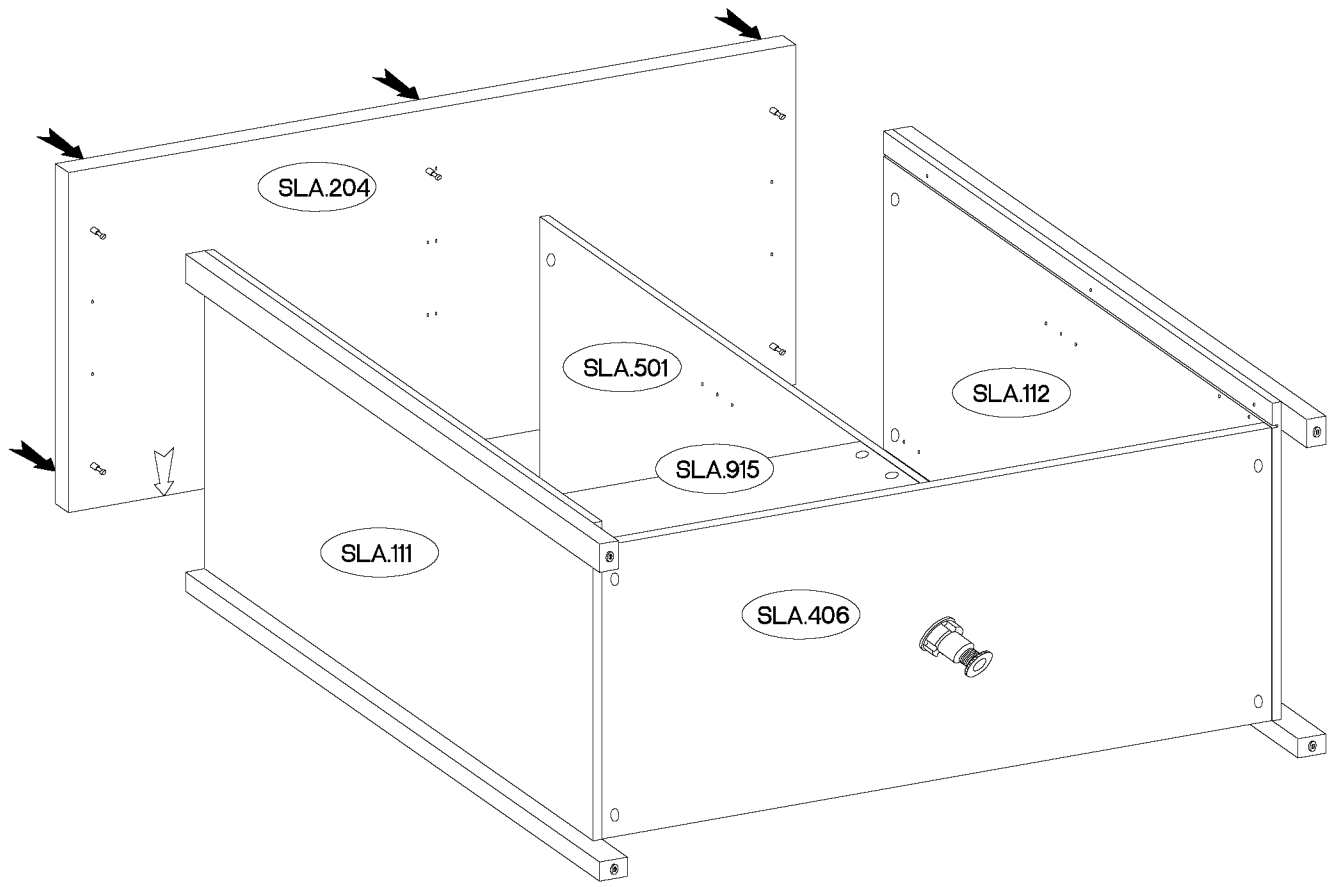
4

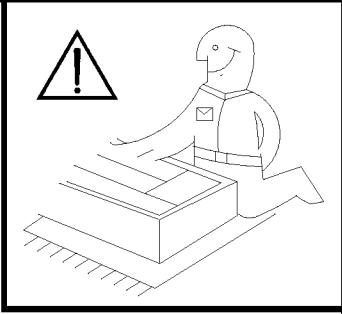


5

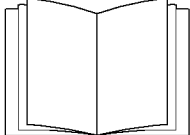
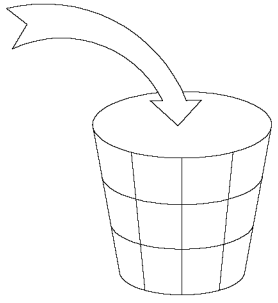
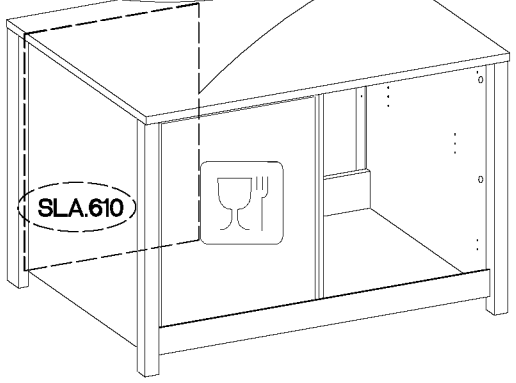


6



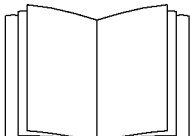
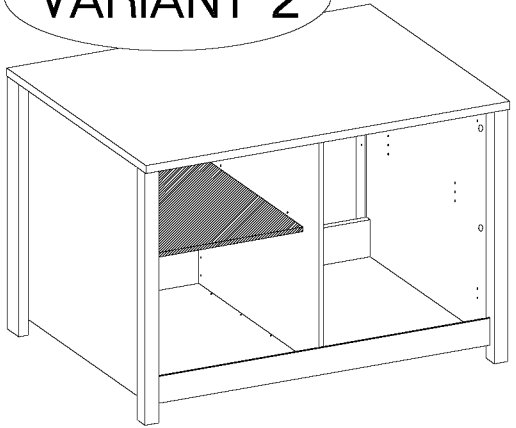


VARIANT 1

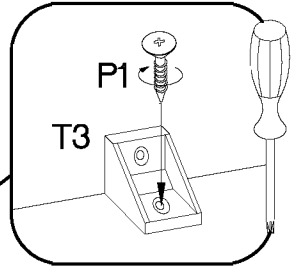
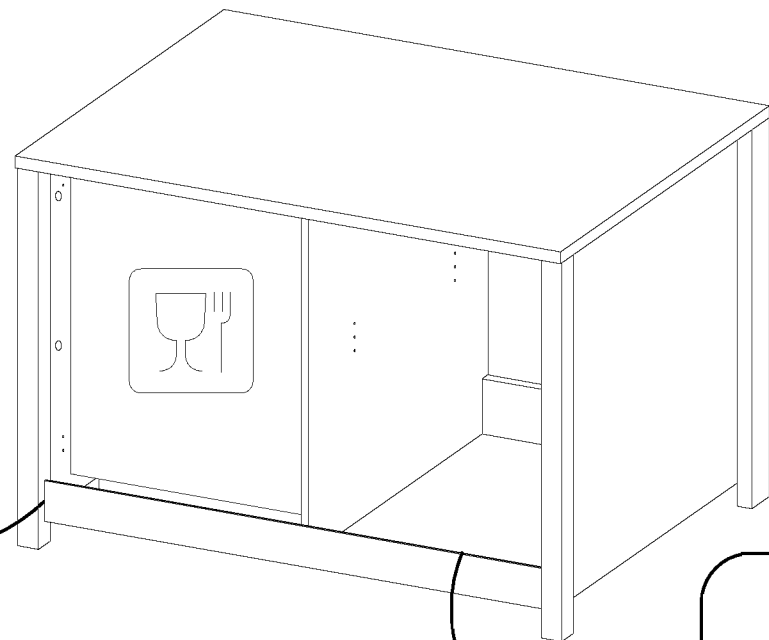
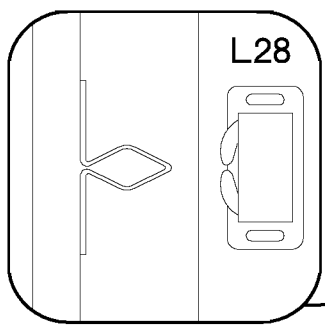
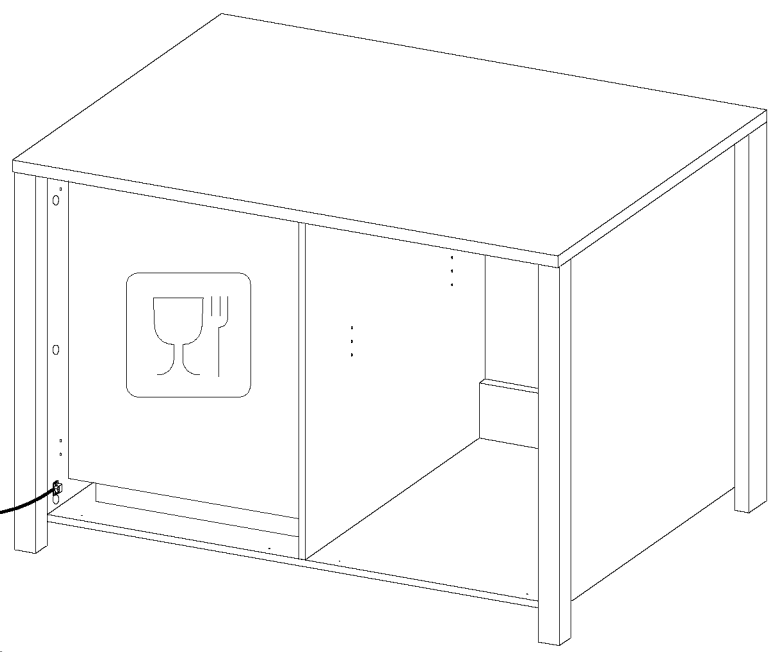
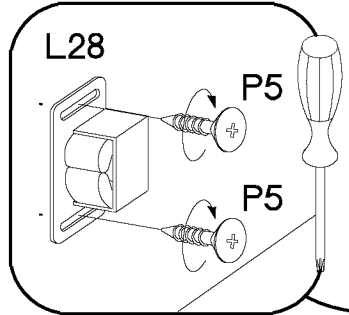
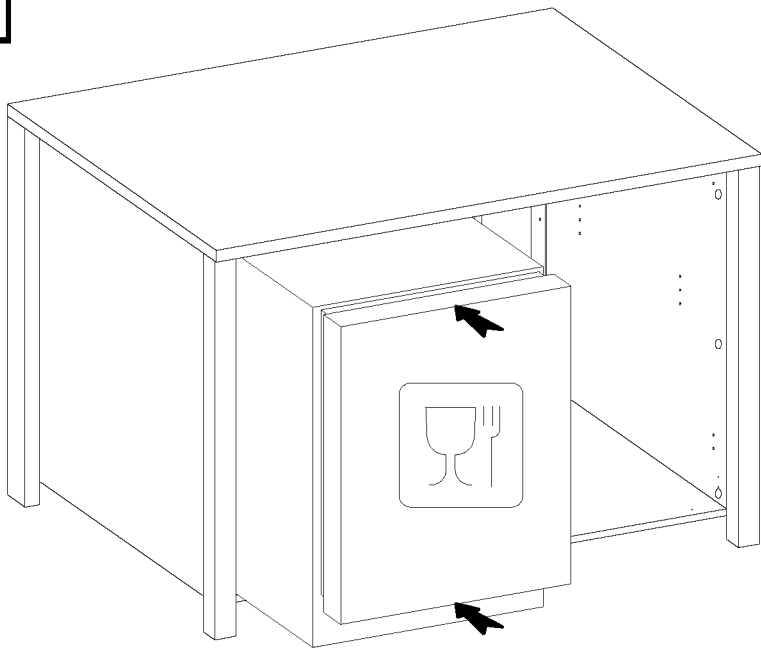


8 - 10

VARIANT 2





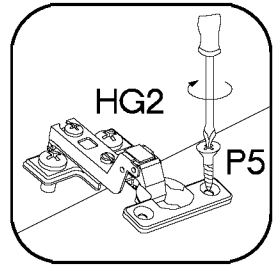
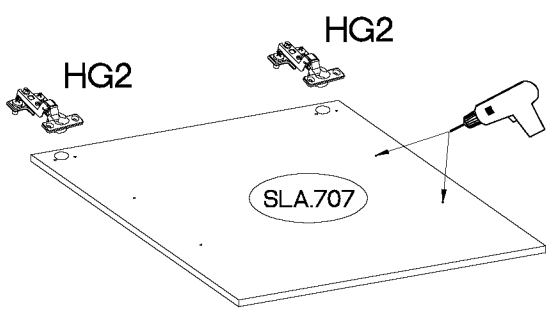
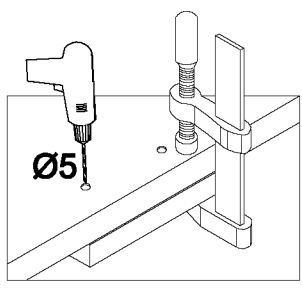
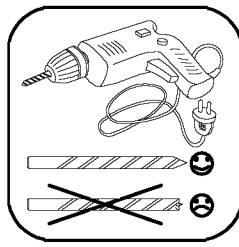
11 - 14






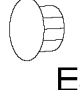
	+3.5x13mm	+4.0x16mm
L28	P5	P1
2/2	2	2

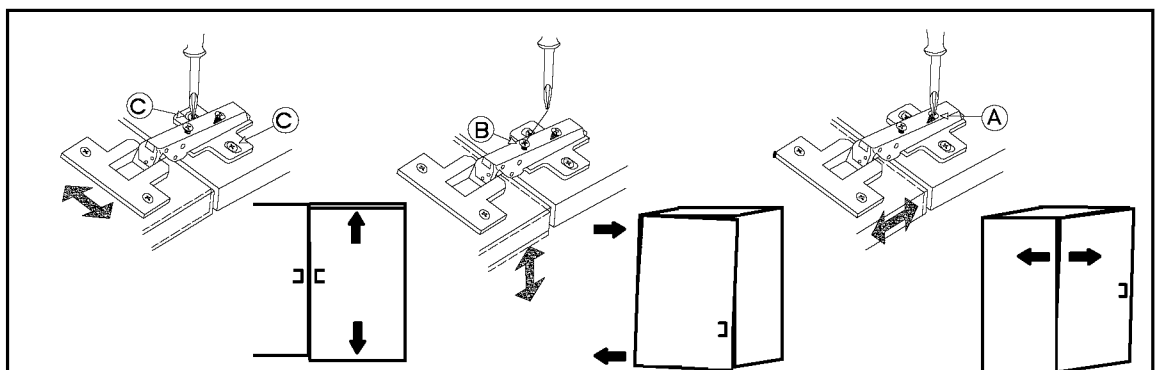
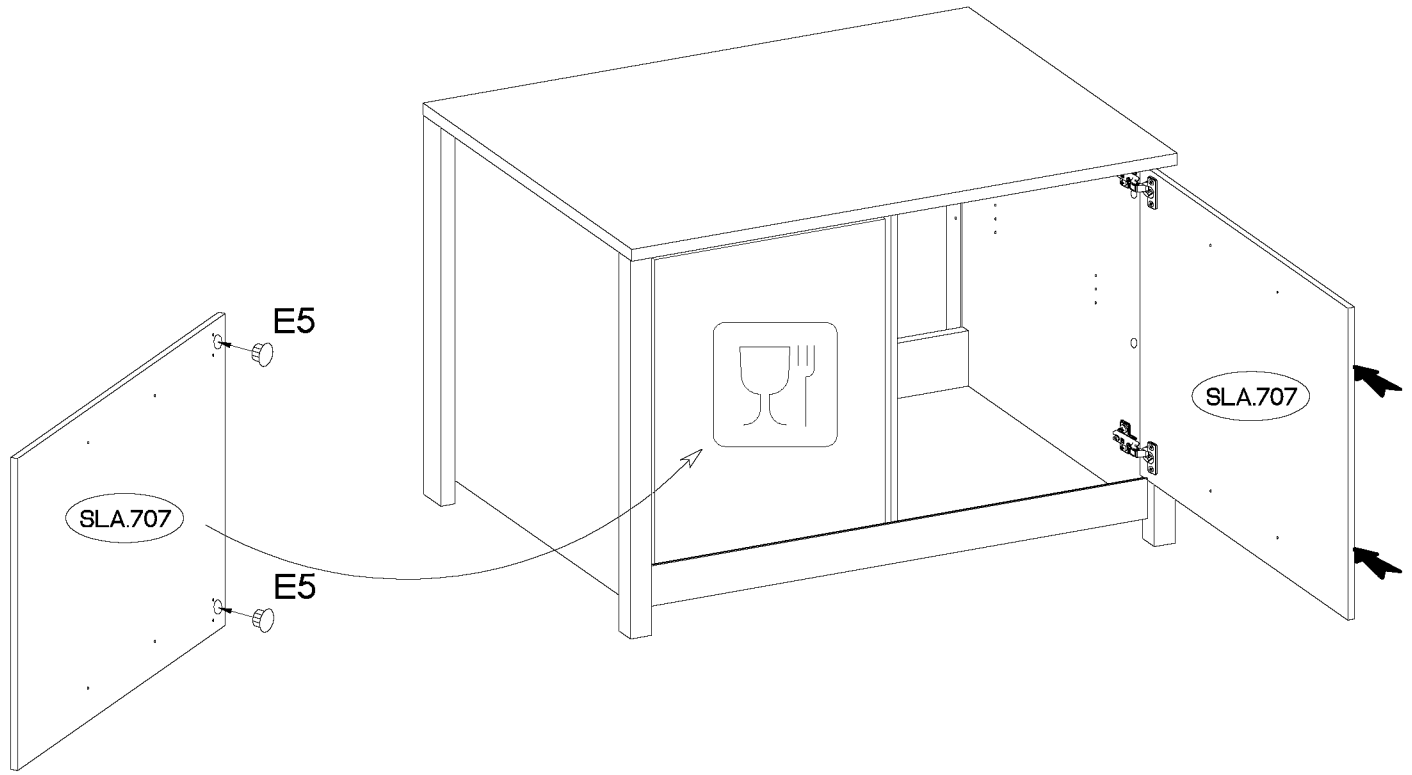
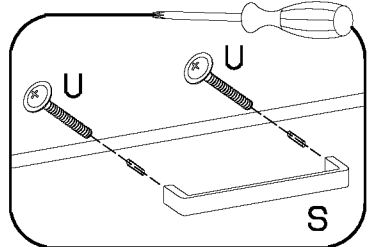
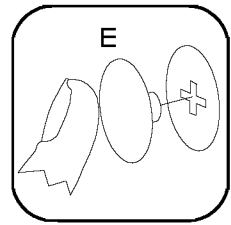
9

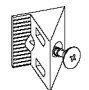
+35/16mm	+3.5x13mm
	
[CD] HG2	P5
2	4



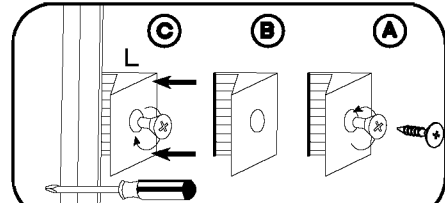
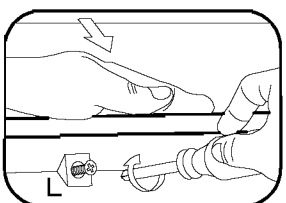
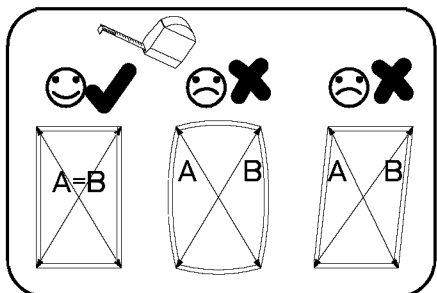
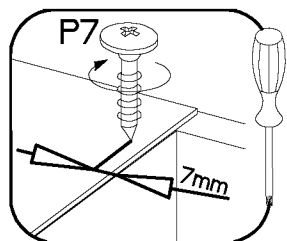
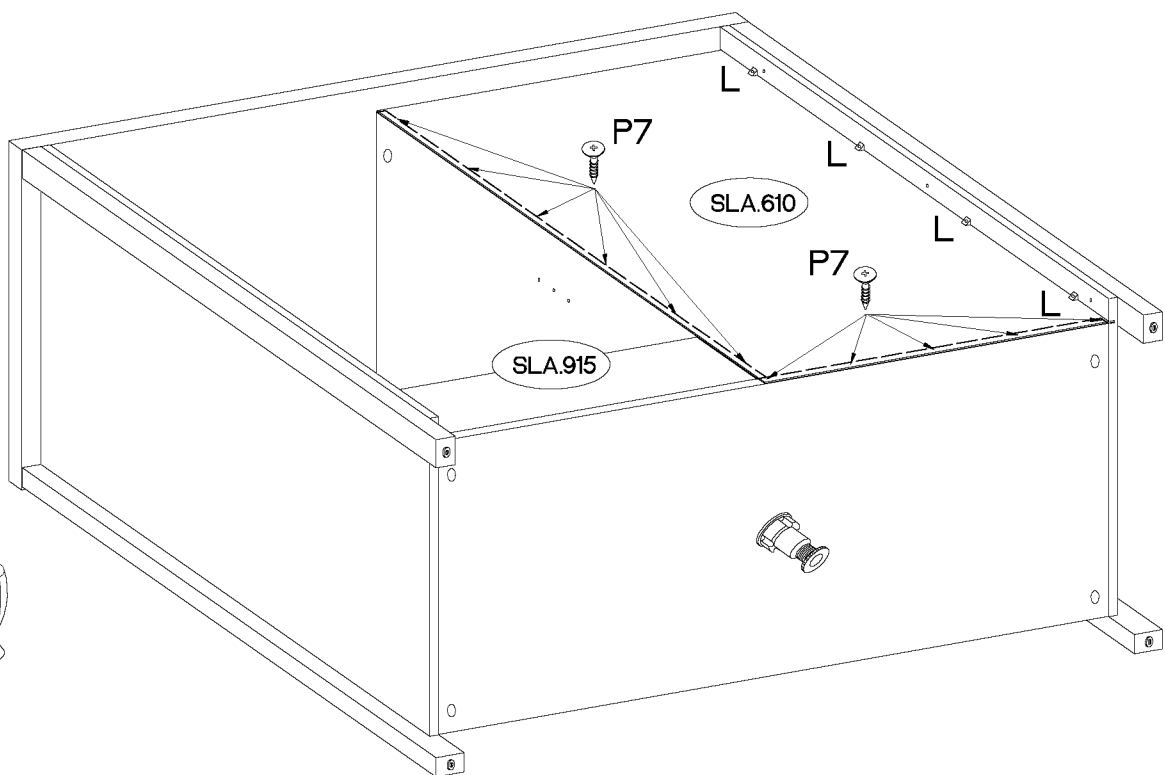
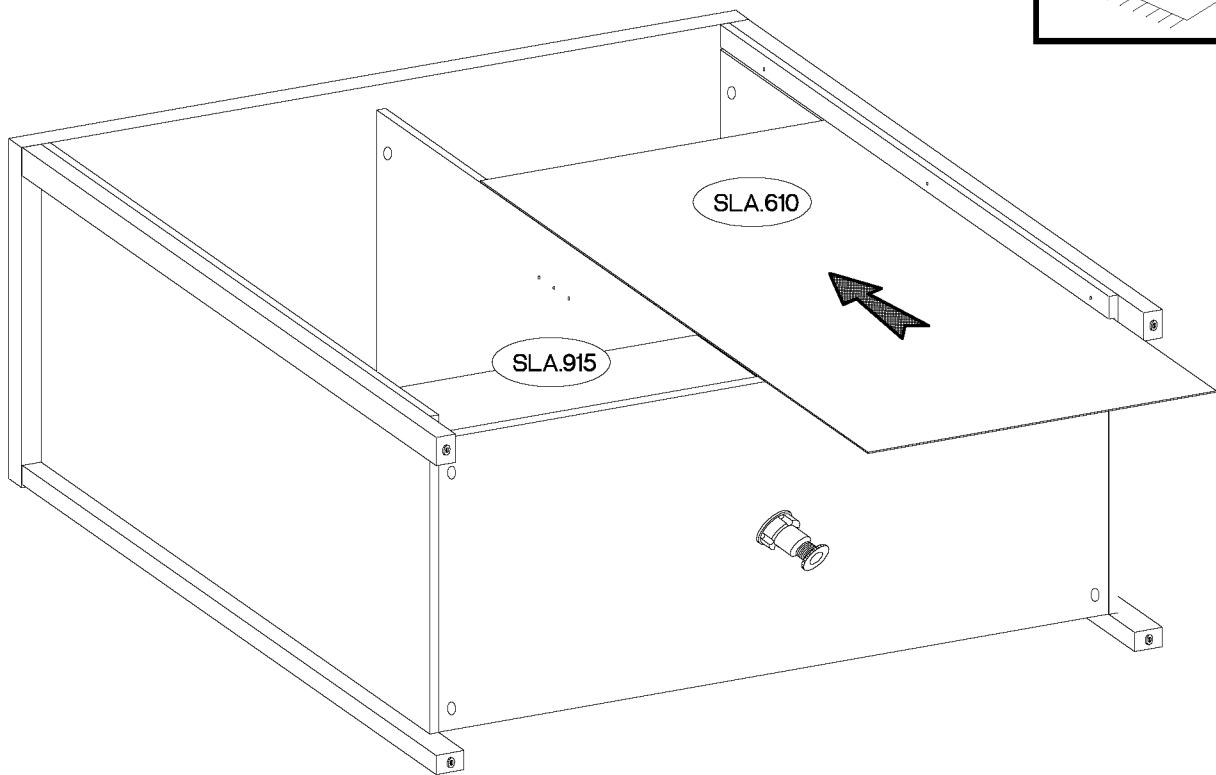
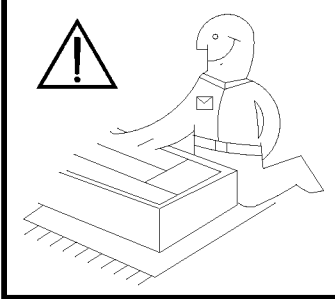
10

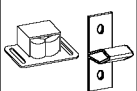



M4x22mm	L=160mm	+35mm
		
U	S	E
2	1	9
		
		E5
		2

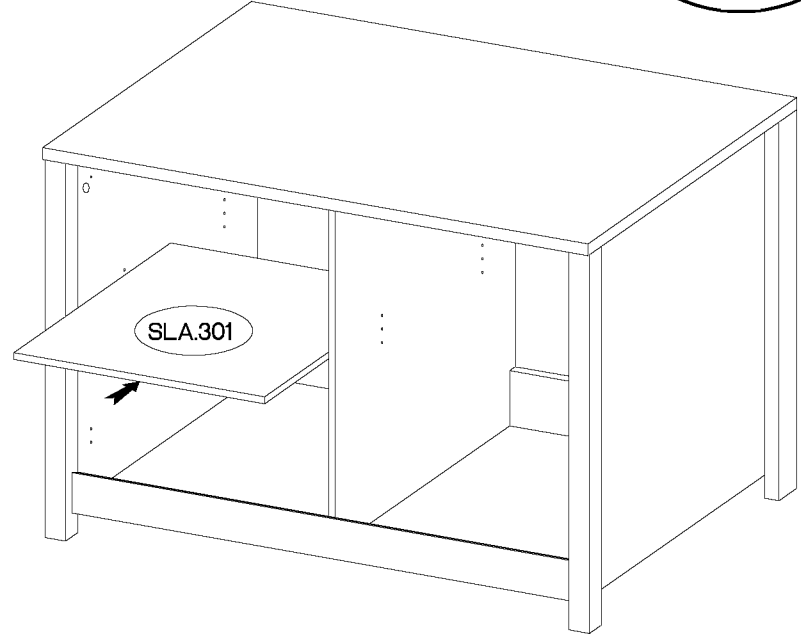
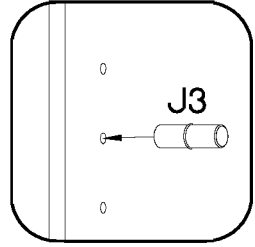
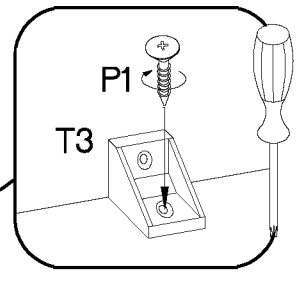
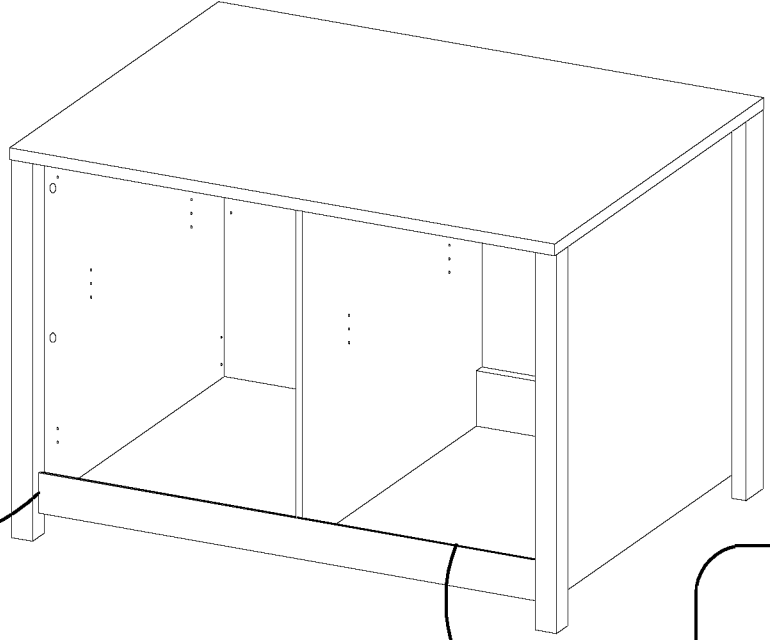
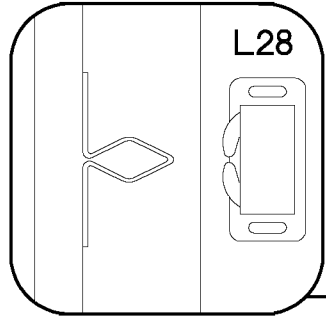
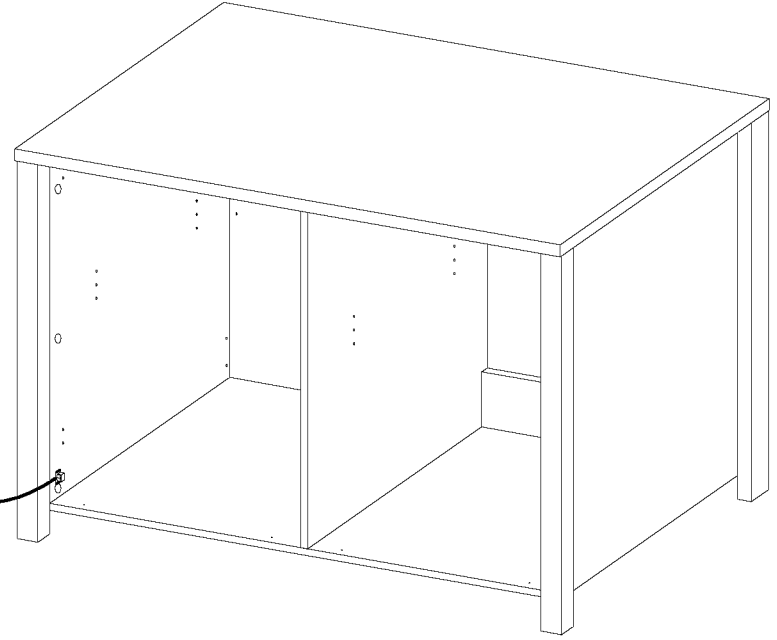
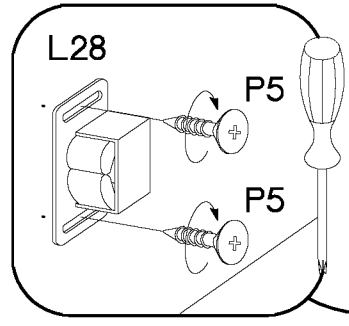


	±3.0x20mm
L	P7
4	11

VARIANT 2

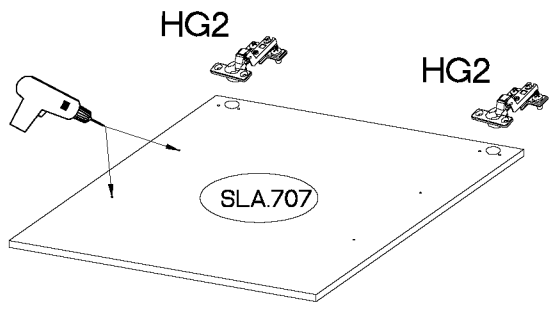
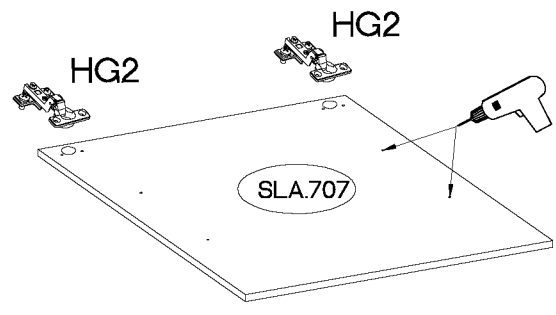
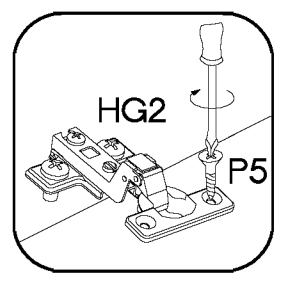
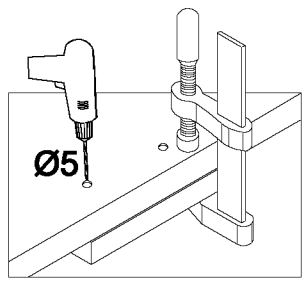
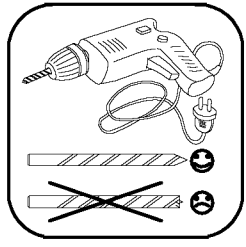


			
L28	P5	P1	J3
2/2	2	2	4



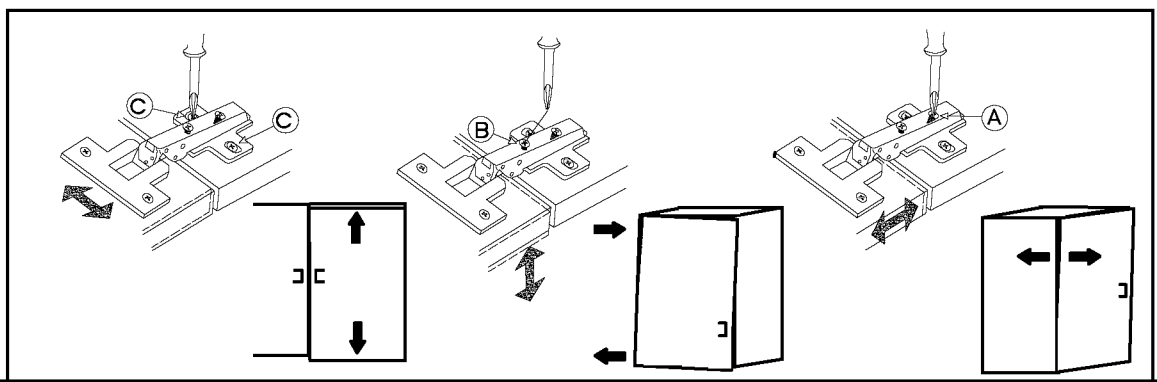
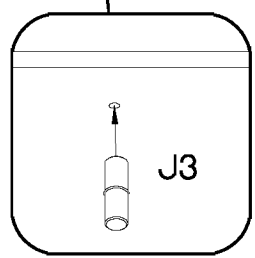
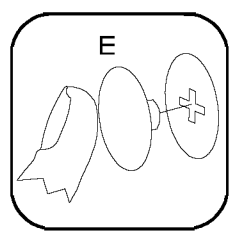
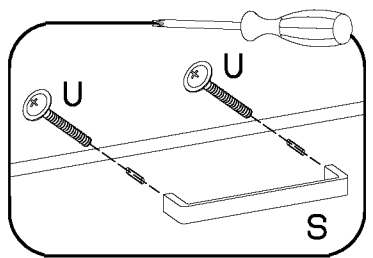
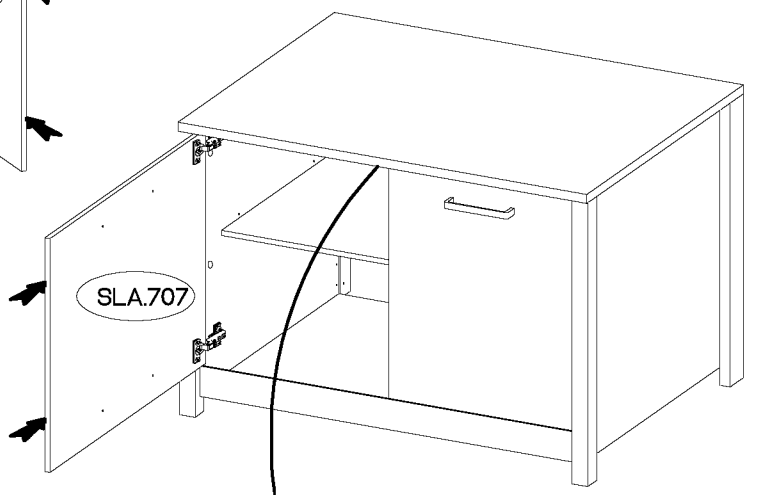
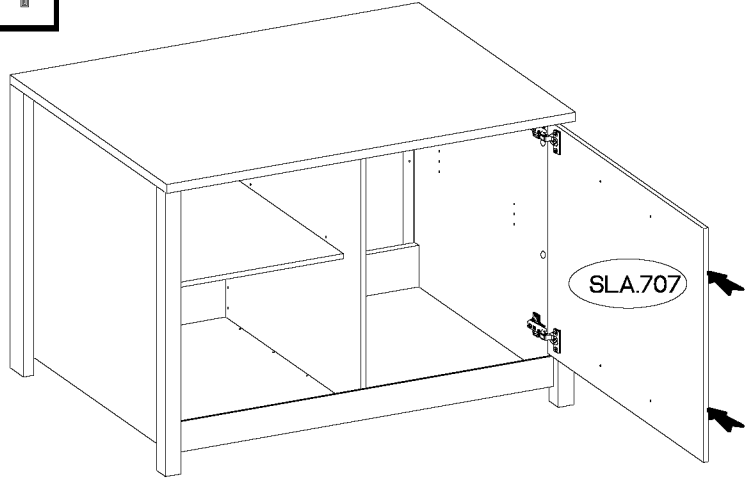
13

$\pm 35/16\text{mm}$	$\pm 3.5 \times 13\text{mm}$
[CD] HG2	P5
4	8

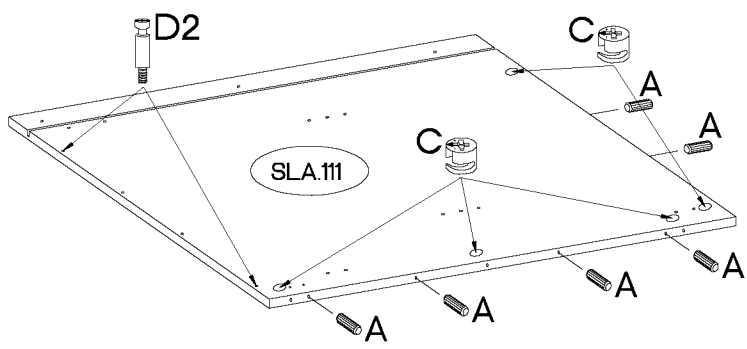
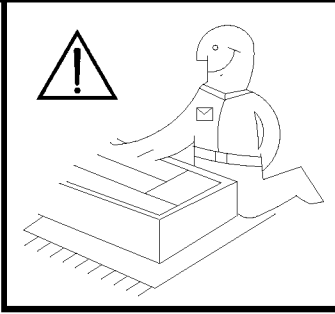


14

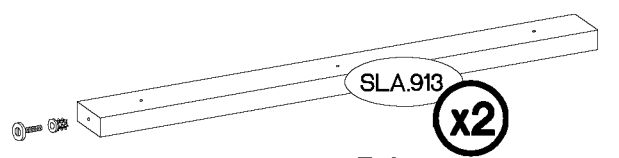
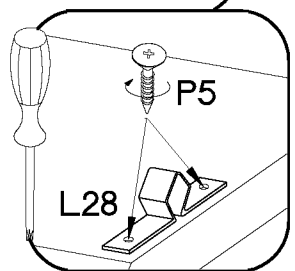
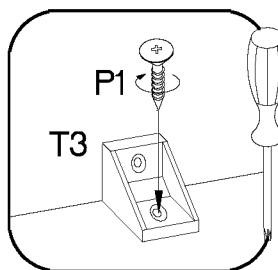
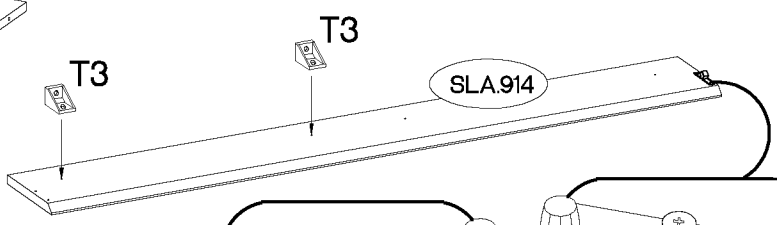
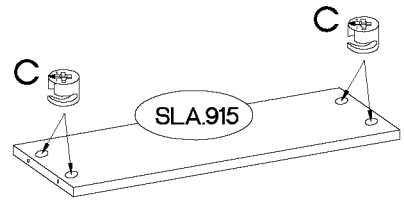
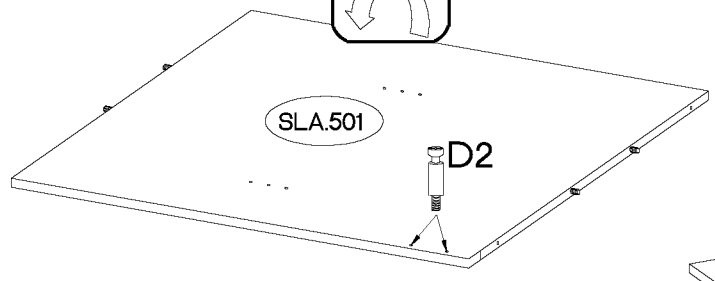
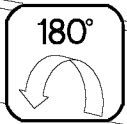
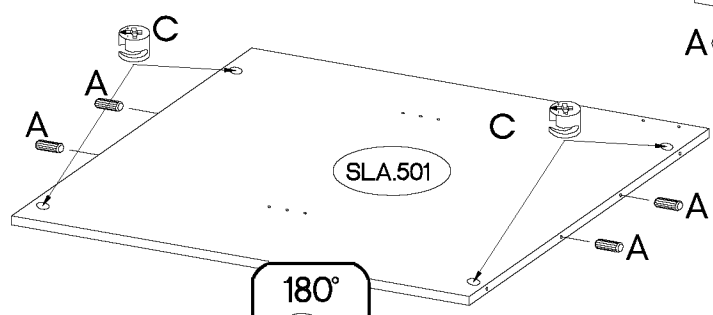
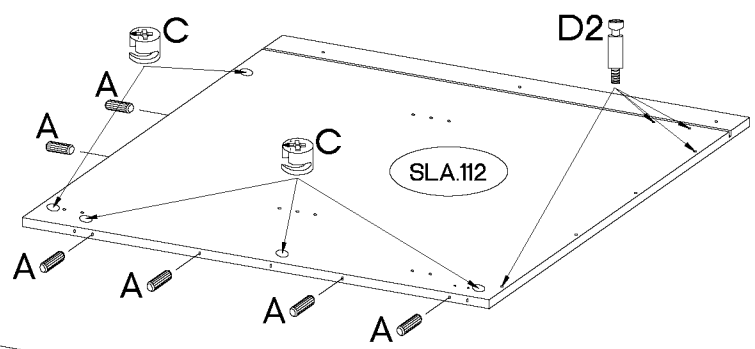
$\pm 5/16\text{mm}$	M4x22mm	L=160mm	
J3	U	S	E
1	4	2	14



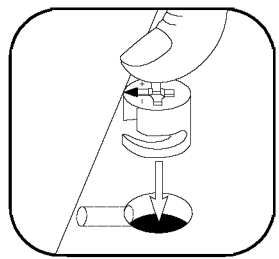
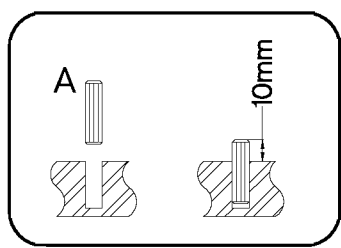
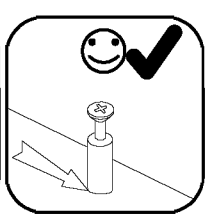
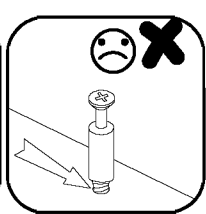
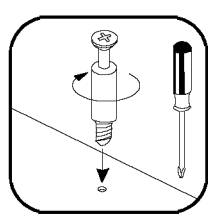
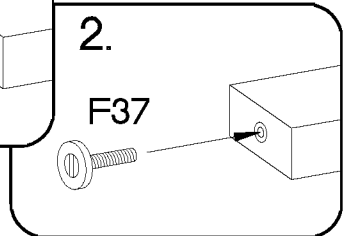
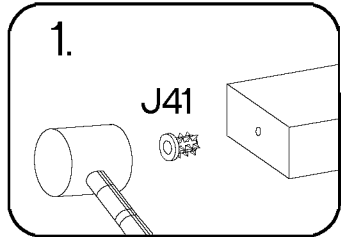
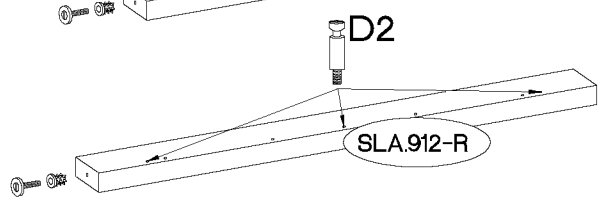
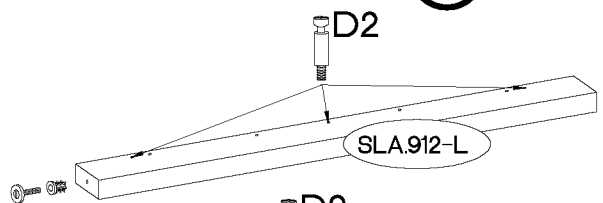
±8x30mm A 16	±15/12mm C 18	L=20mm D2 14	L28 1/2	±3.5x13mm P5 2	±8/11mm J41 4	L=28 mm F37 4
					±4.0x16mm T3 2	P1 2



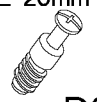




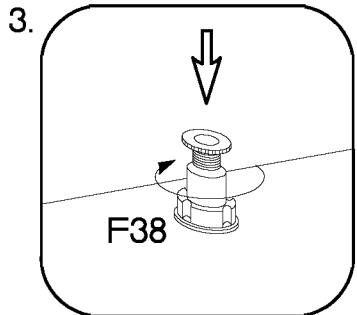
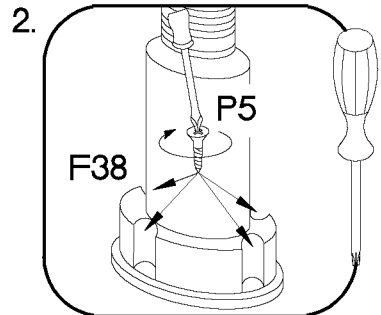
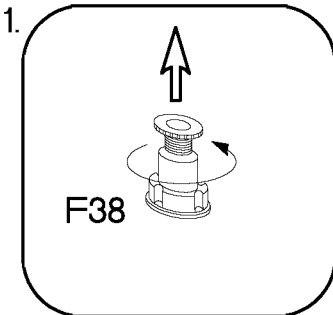
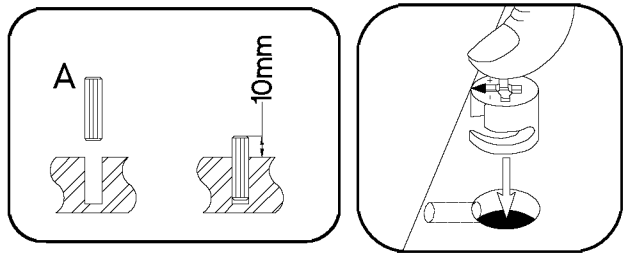
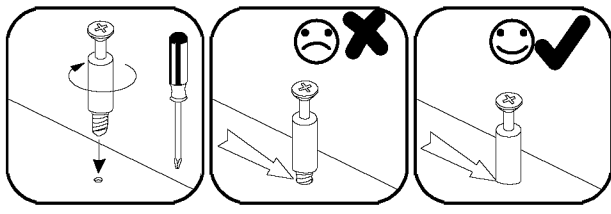
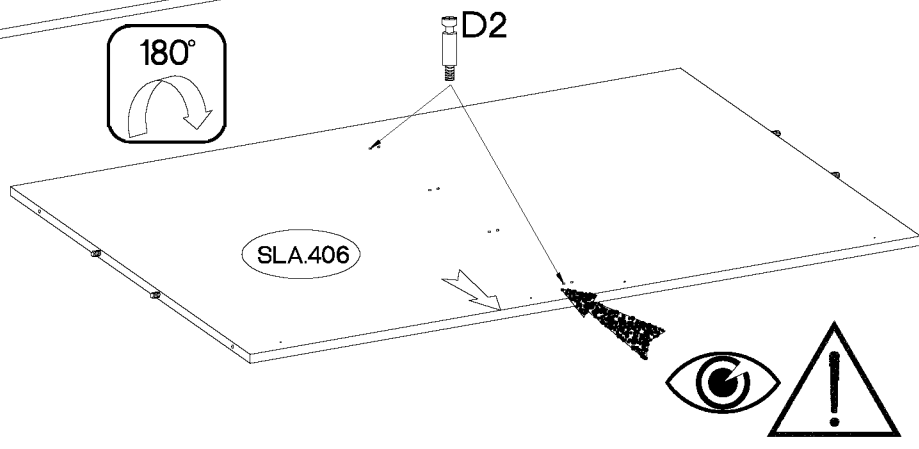
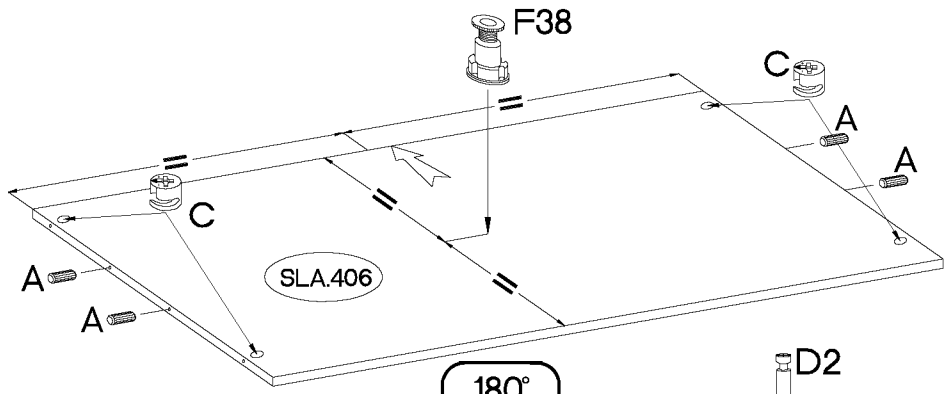
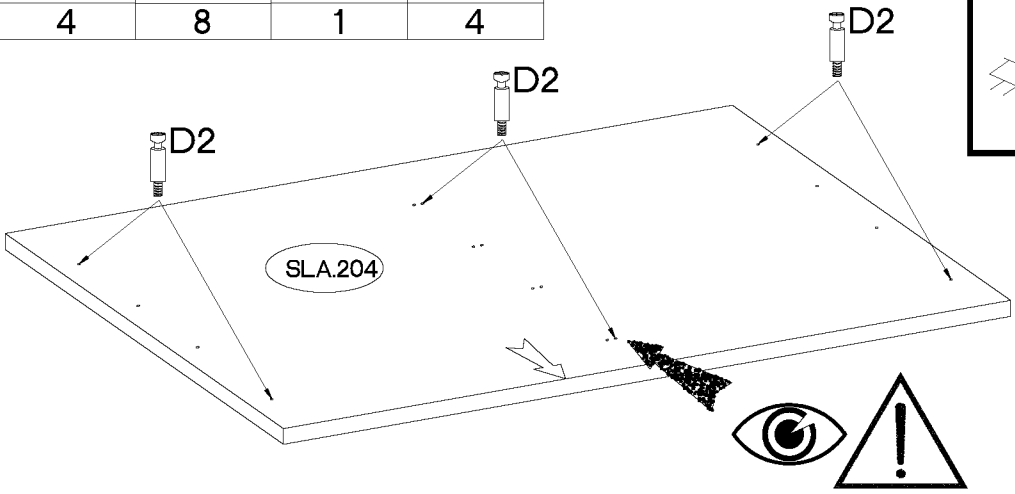
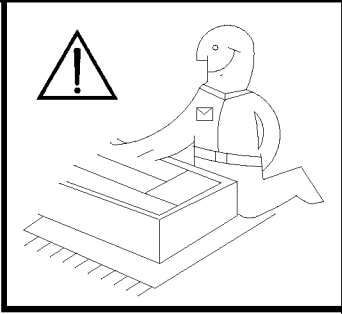
T3 2	P1 2
----------------	----------------



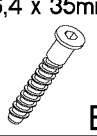
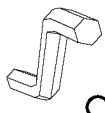
x2

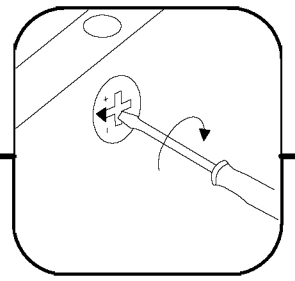
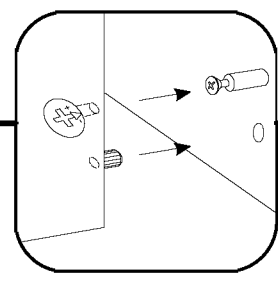
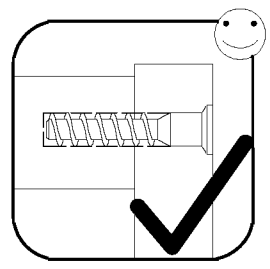
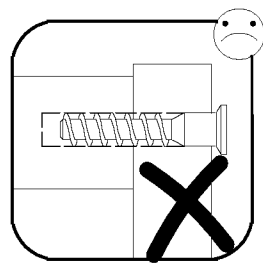
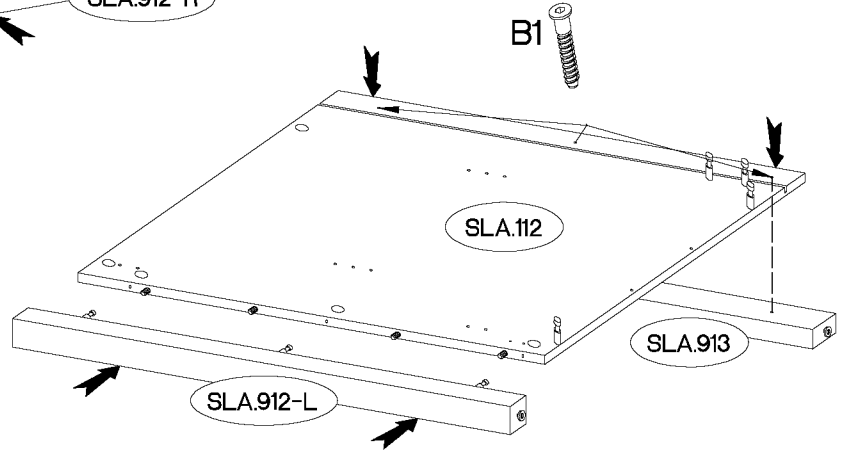
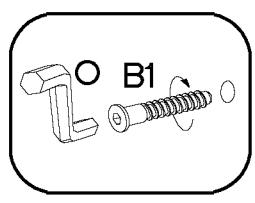
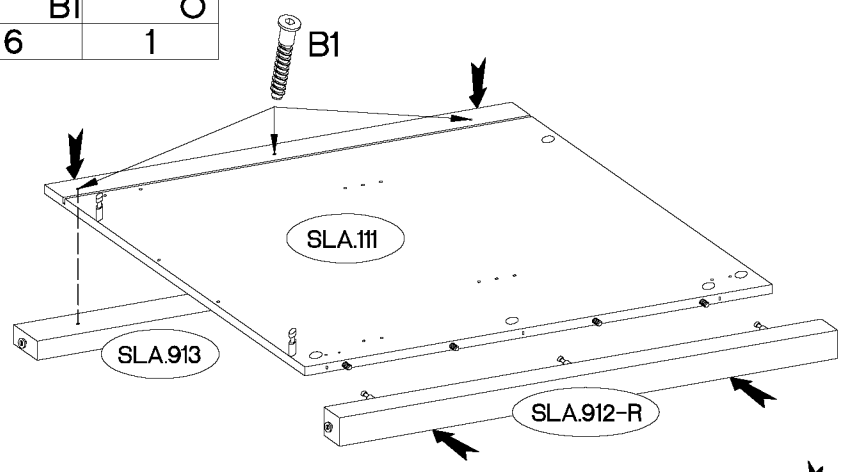
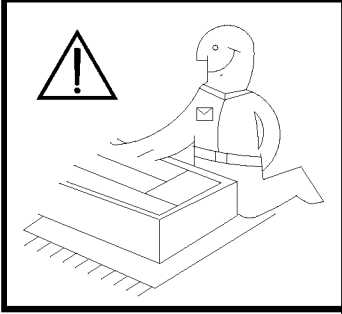


 A 4	 C 4	 D2 8	 F38 1	 P5 4
---	---	--	---	--

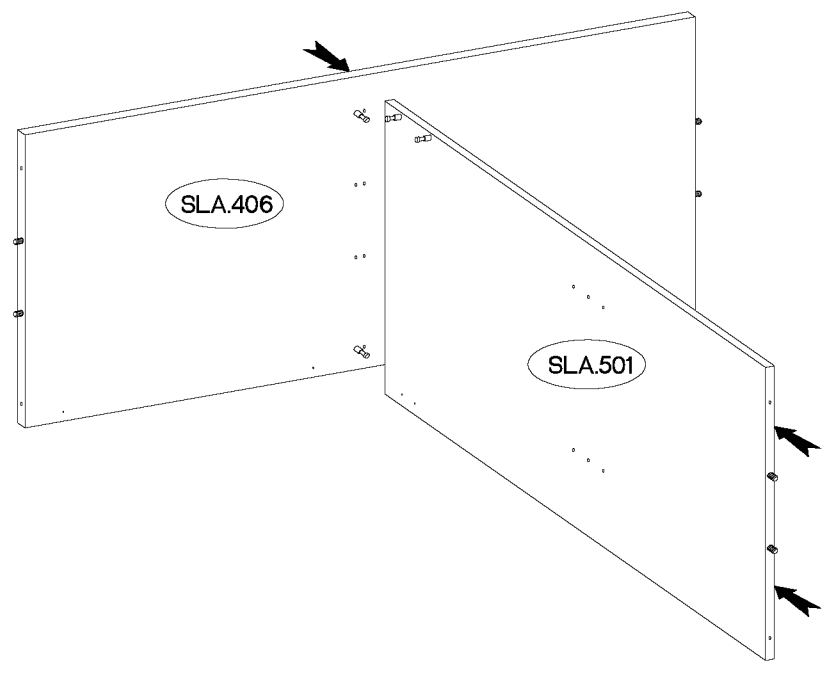


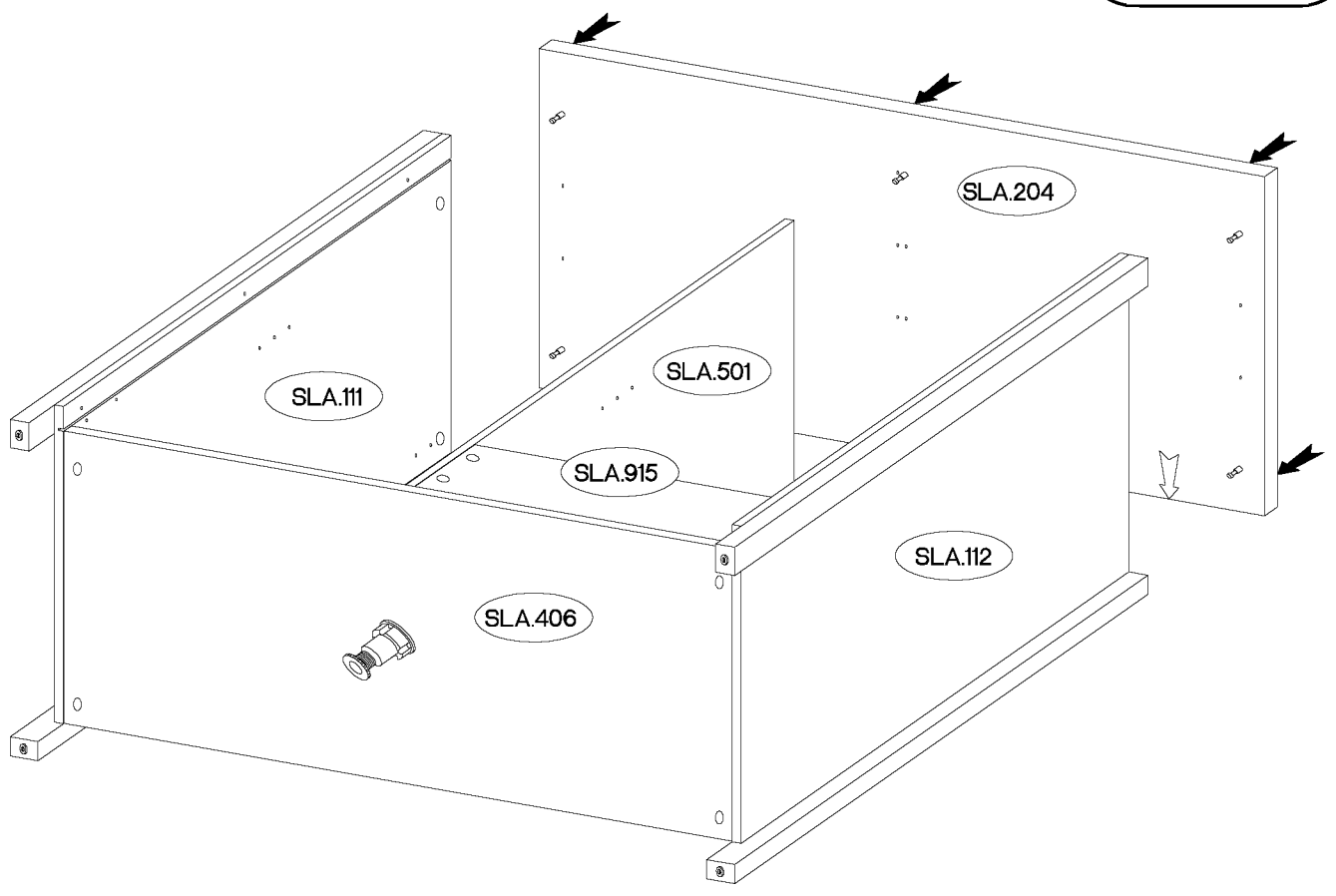
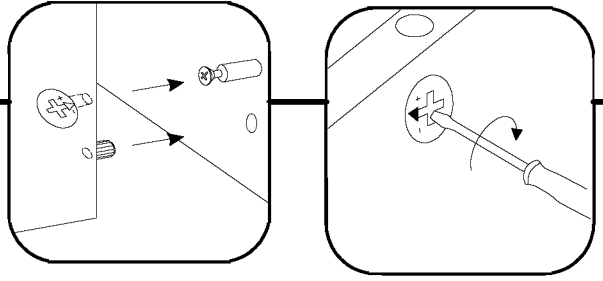
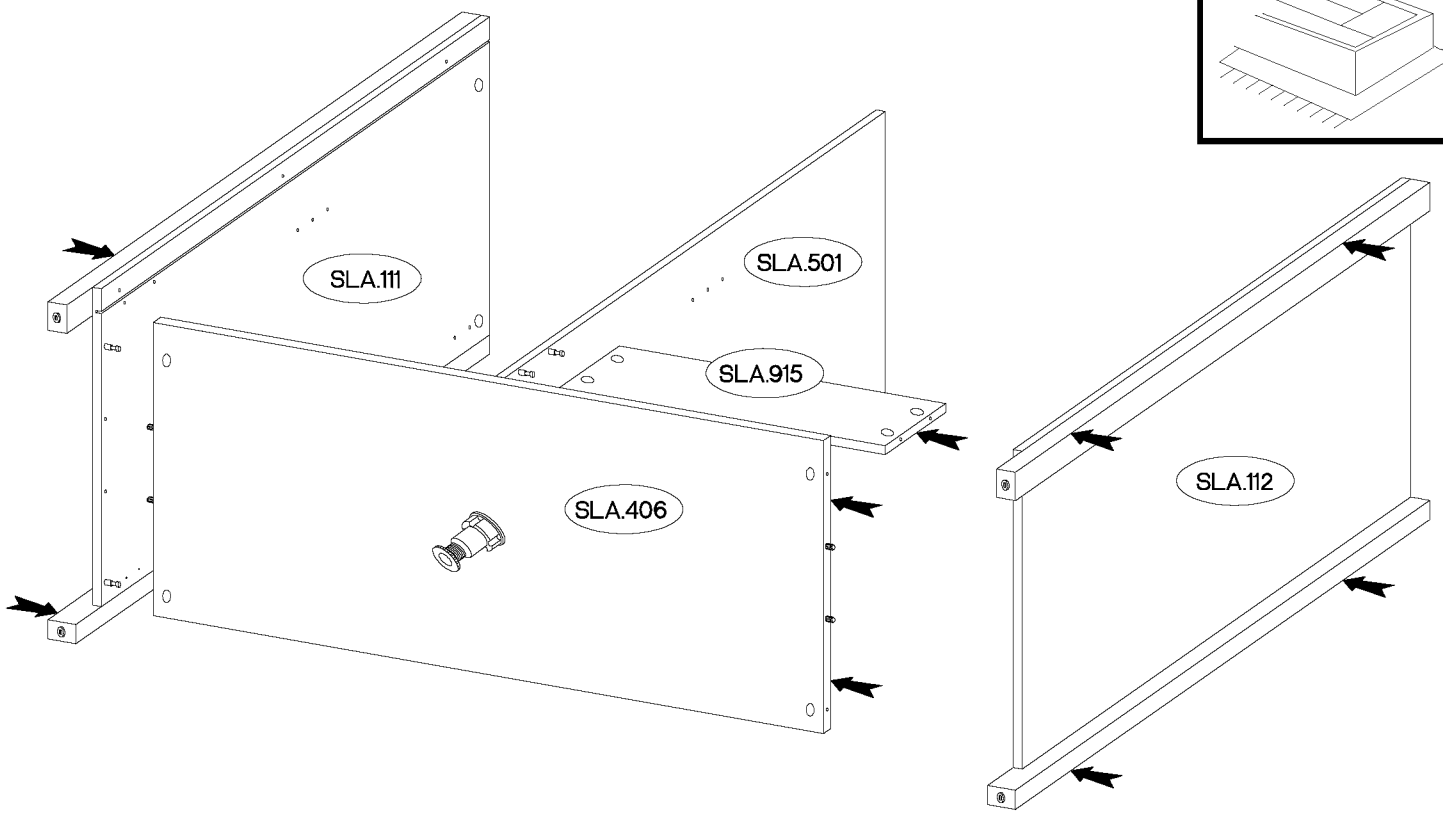
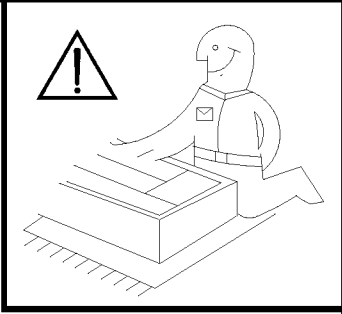
17

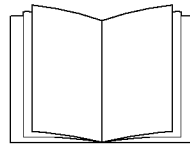
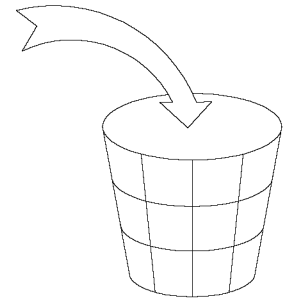
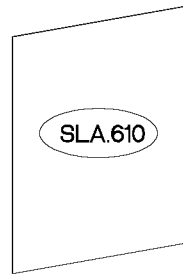
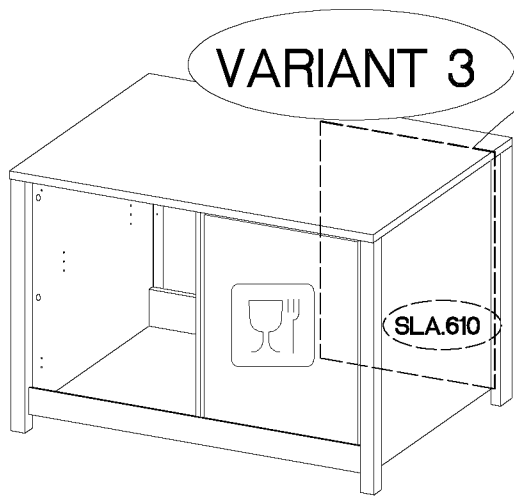
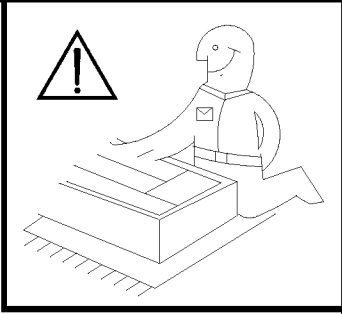
6,4 x 35mm	
	
B1	O
6	1



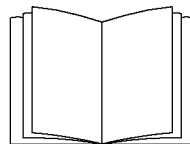
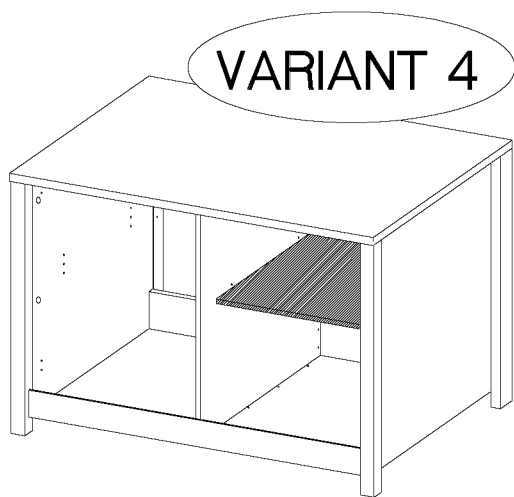
18





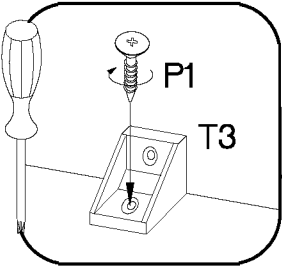
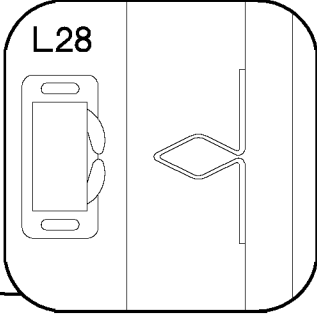
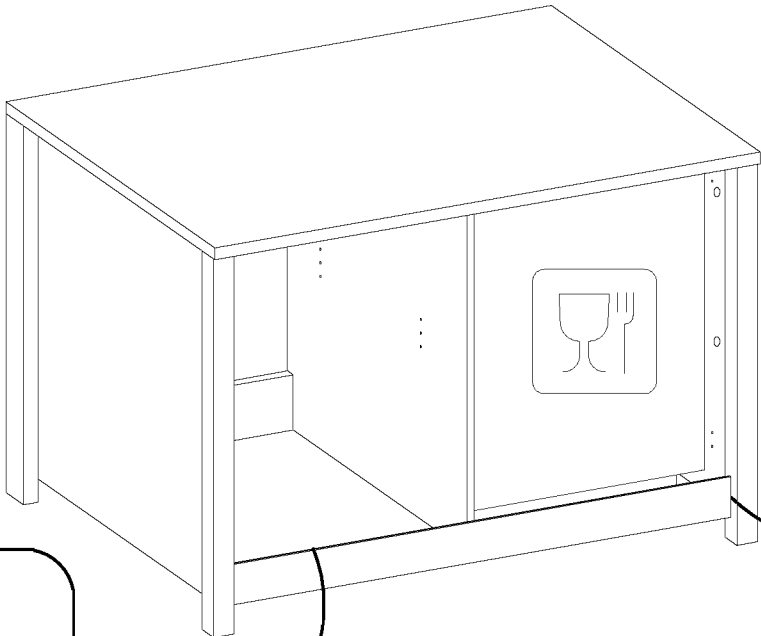
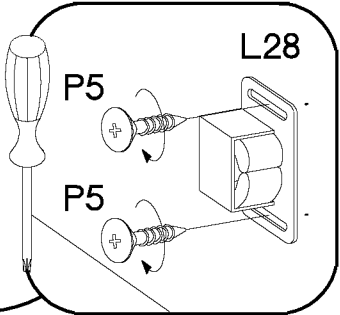
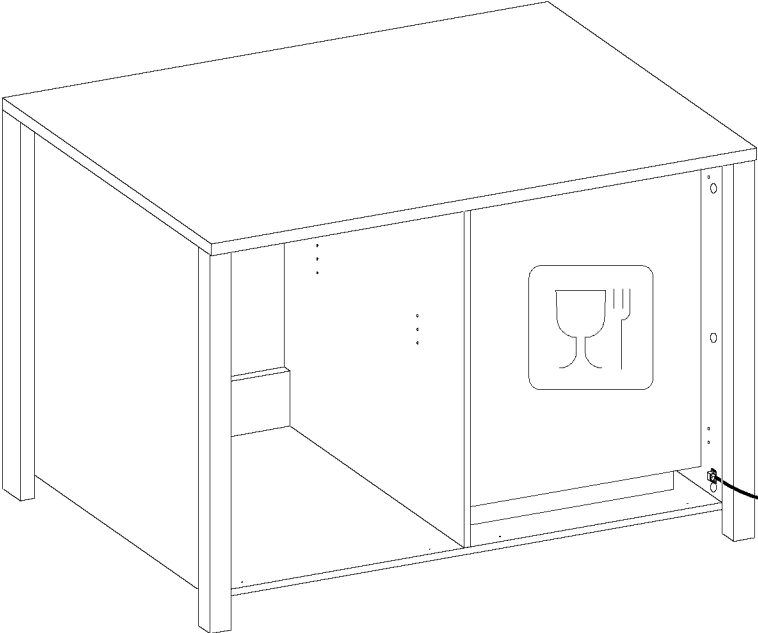
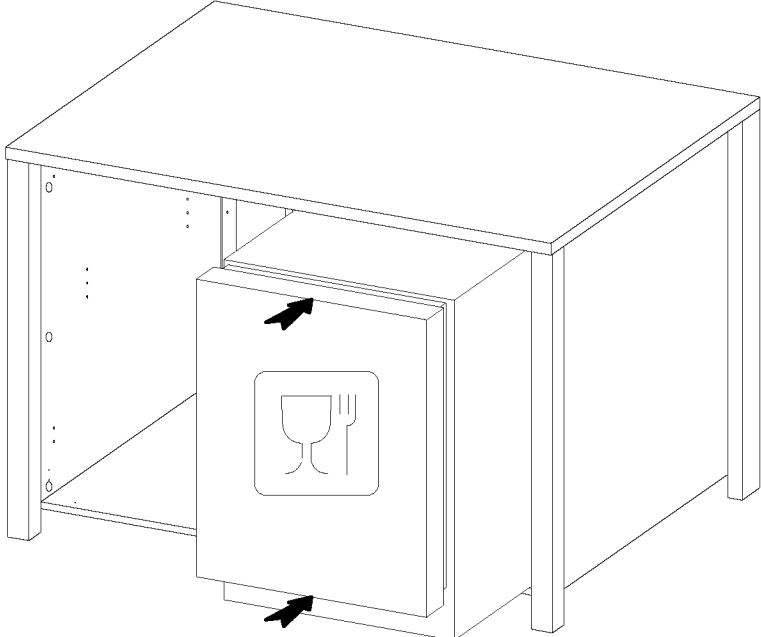


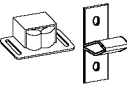
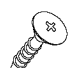

22 - 24





25 - 28

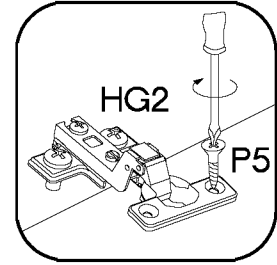
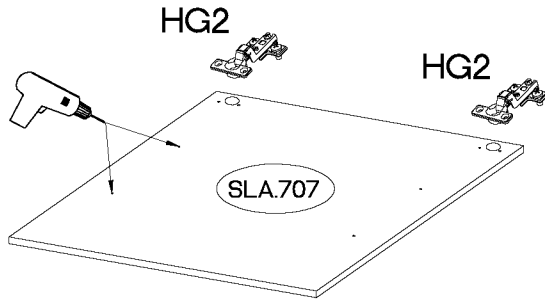
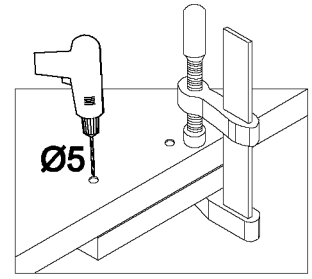
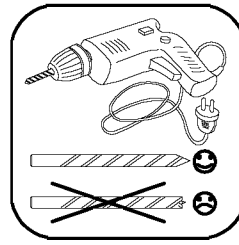
VARIANT 3






		
L28	P5	P1
2/2	2	2

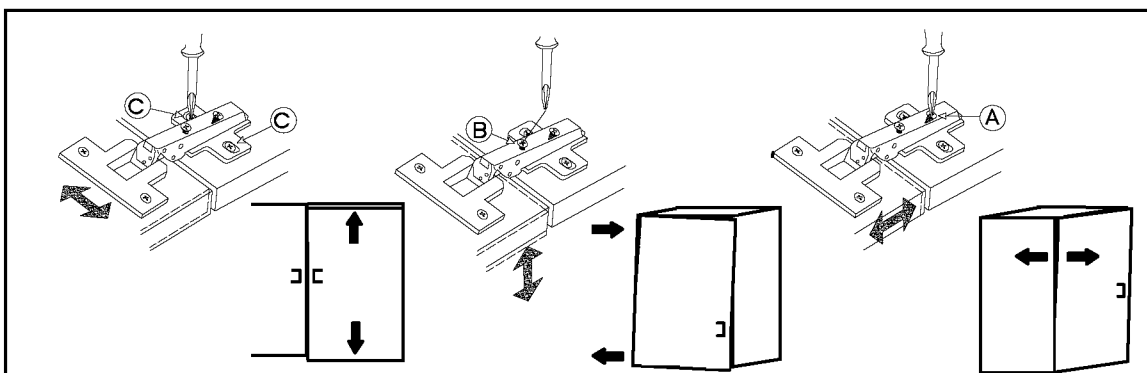
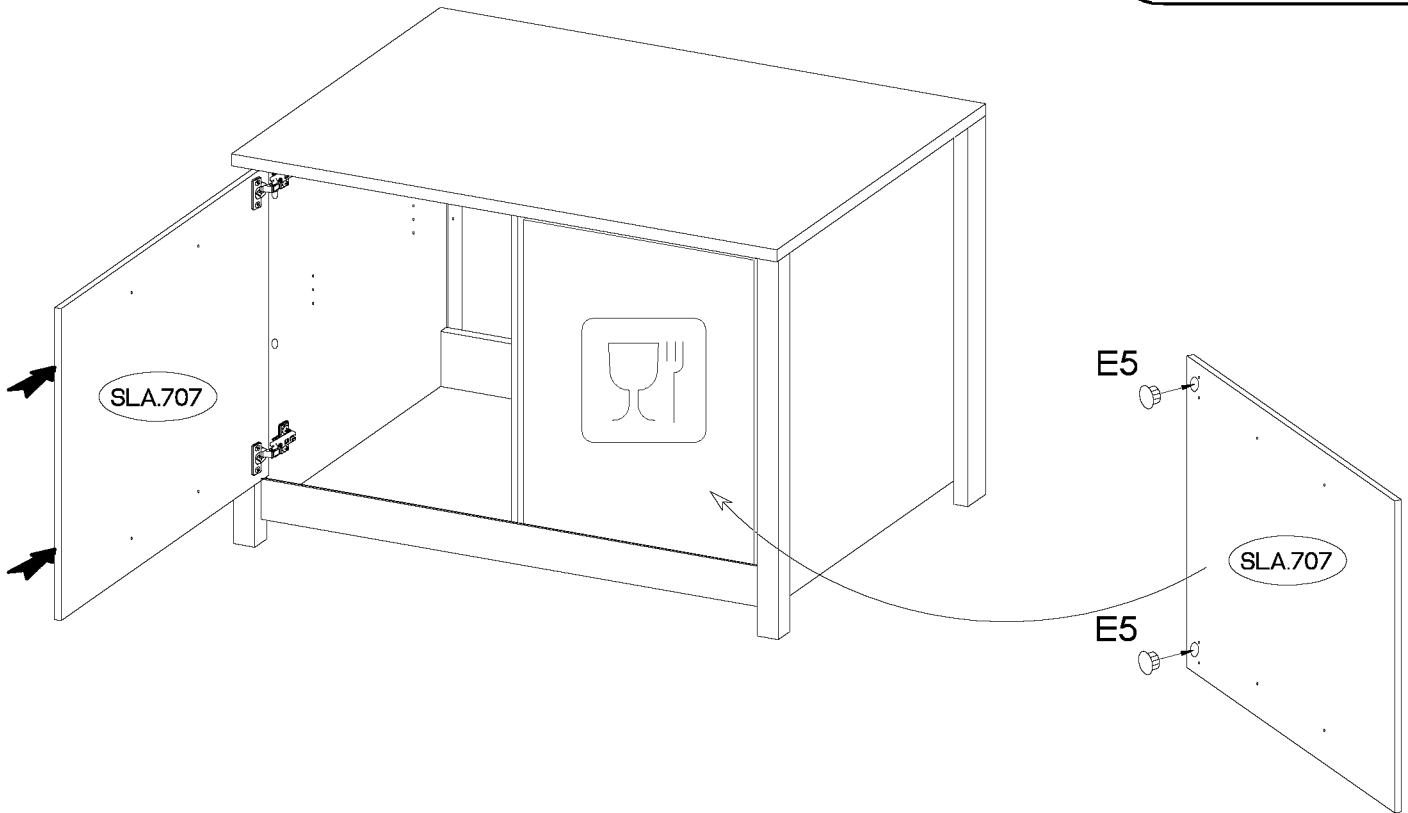
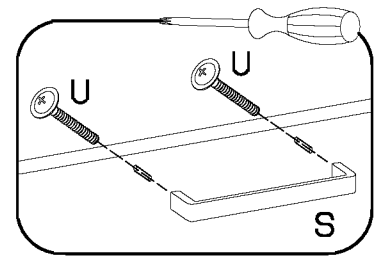
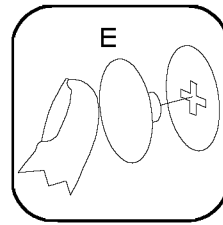
23

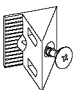
$\pm 35/16\text{mm}$	$\pm 3.5 \times 13\text{mm}$
 [CD] HG2	 P5
2	4



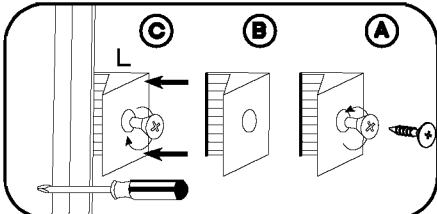
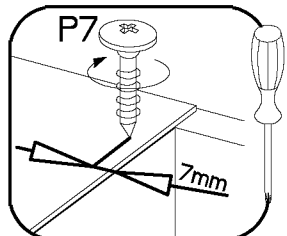
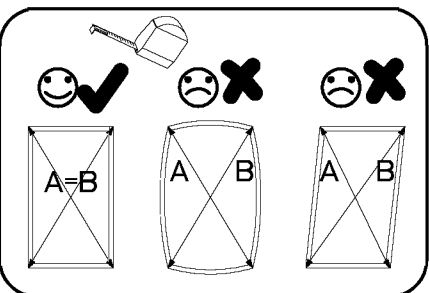
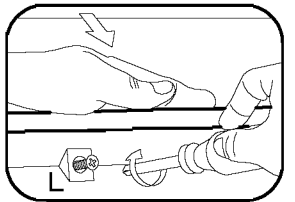
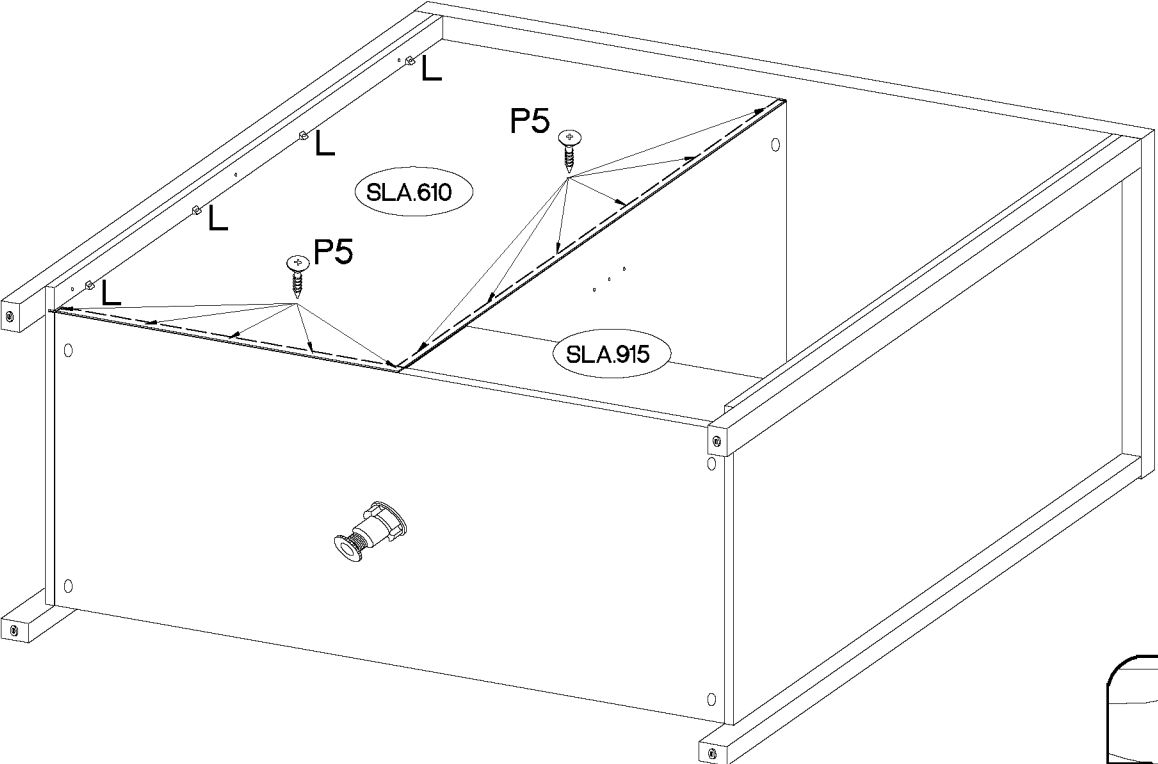
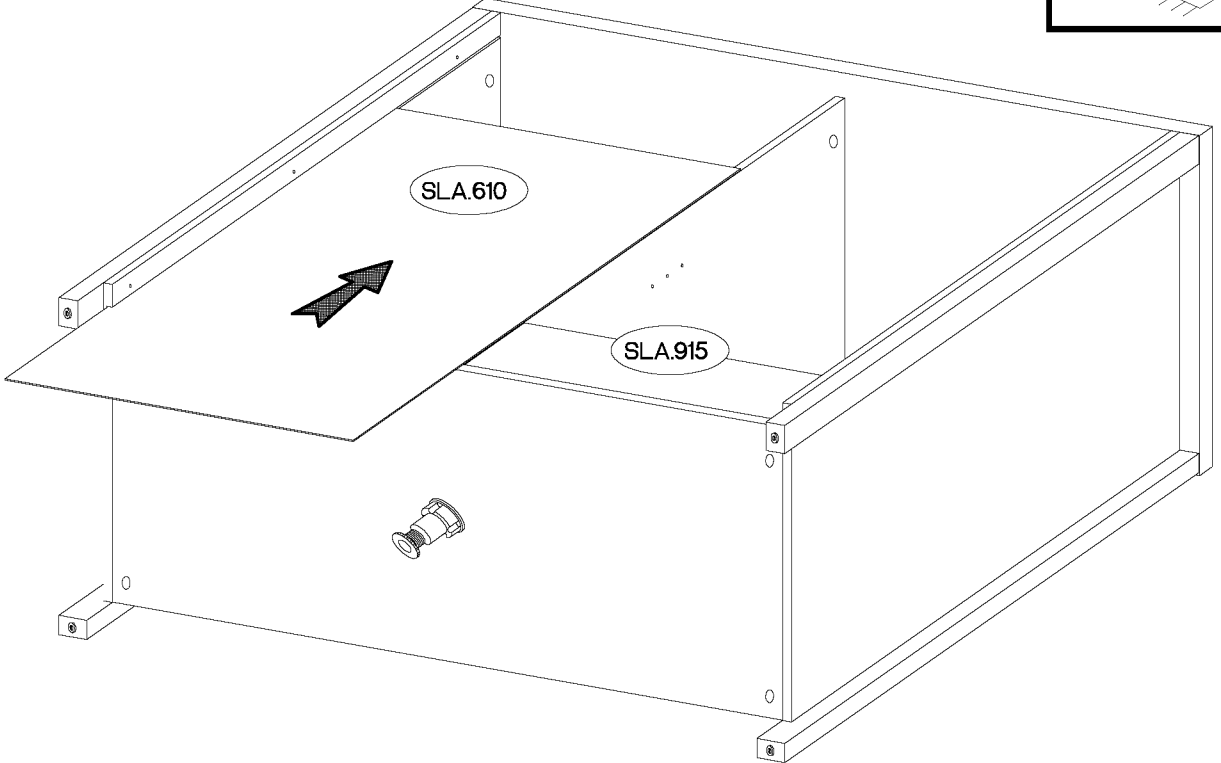
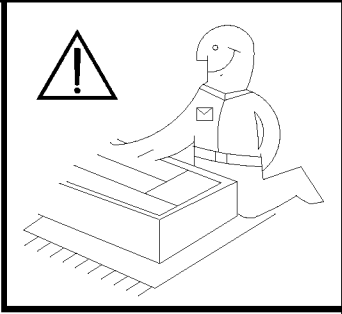
24

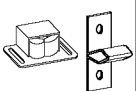

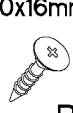

M4x22mm	L=160mm	$\pm 35\text{mm}$
 U	 S	 E
2	1	E5

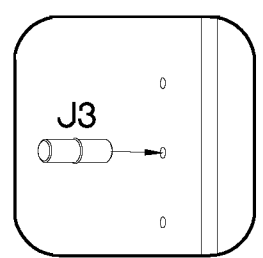
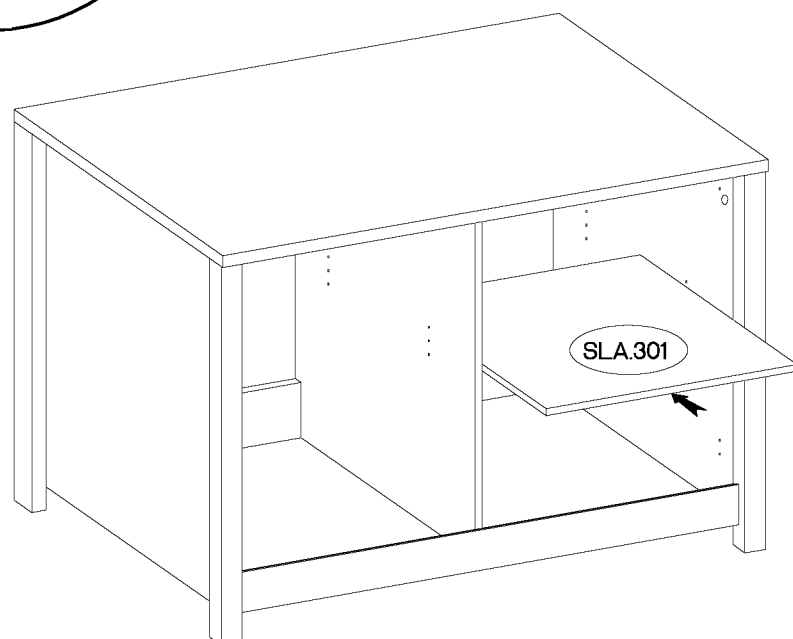
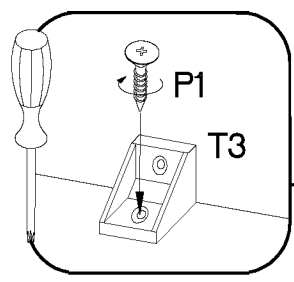
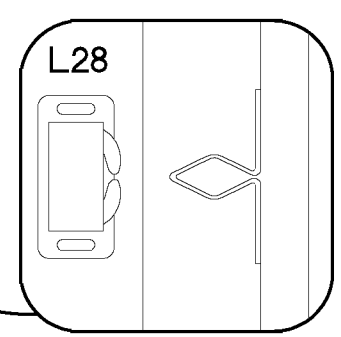
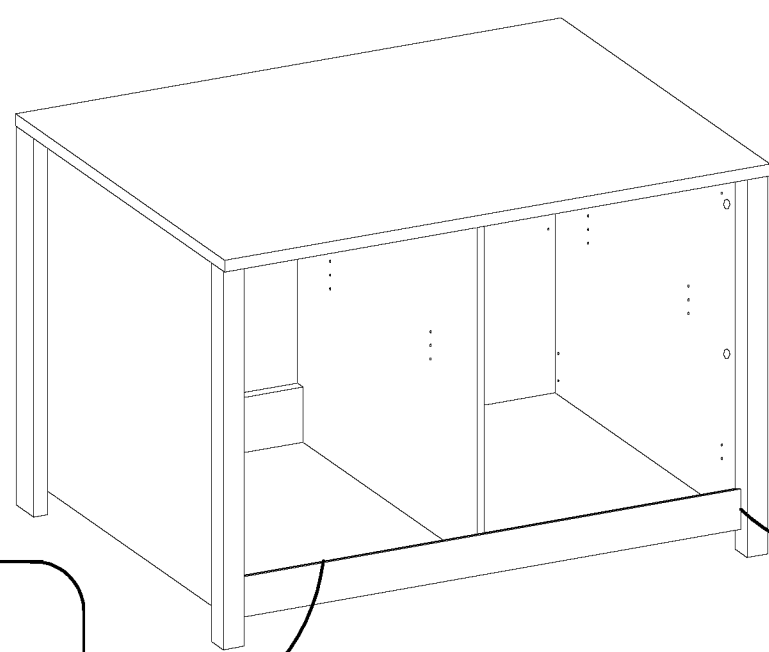
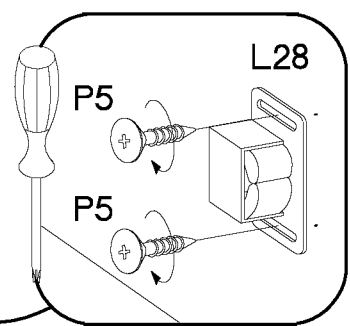
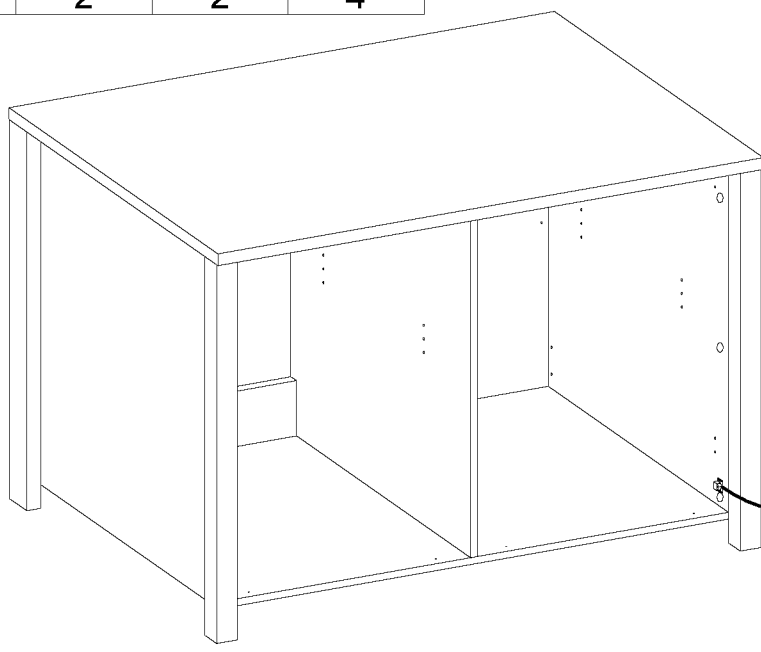


	±3.5x13mm
L	P5
4	11

VARIANT 4





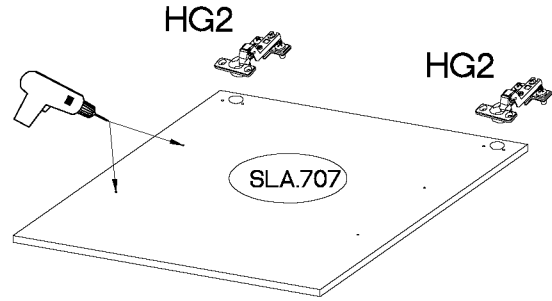
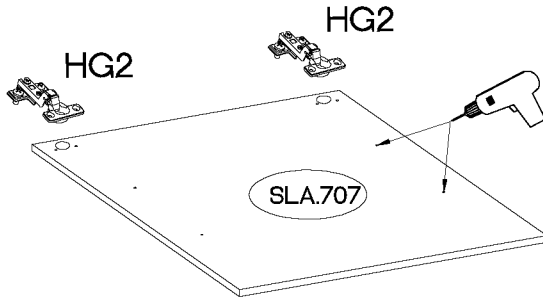
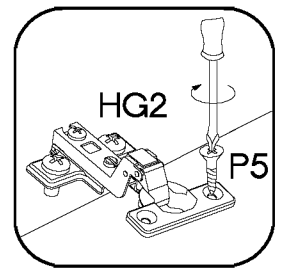
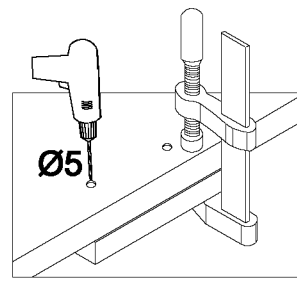
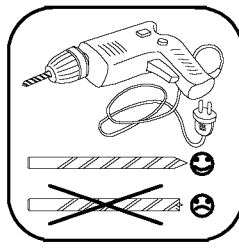
	 +3.5x13mm	 +4.0x16mm	 +5/16mm
L28	P5	P1	J3
2/2	2	2	4




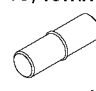

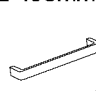
SLA.301

27

+35/16mm	+3.5x13mm
	
[CD] HG2	P5
4	8



28

+5/16mm	M4x22mm	L=160mm	
			E
J3	U	S	
1	4	2	14

