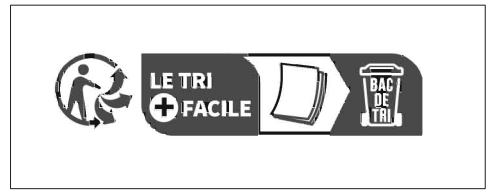
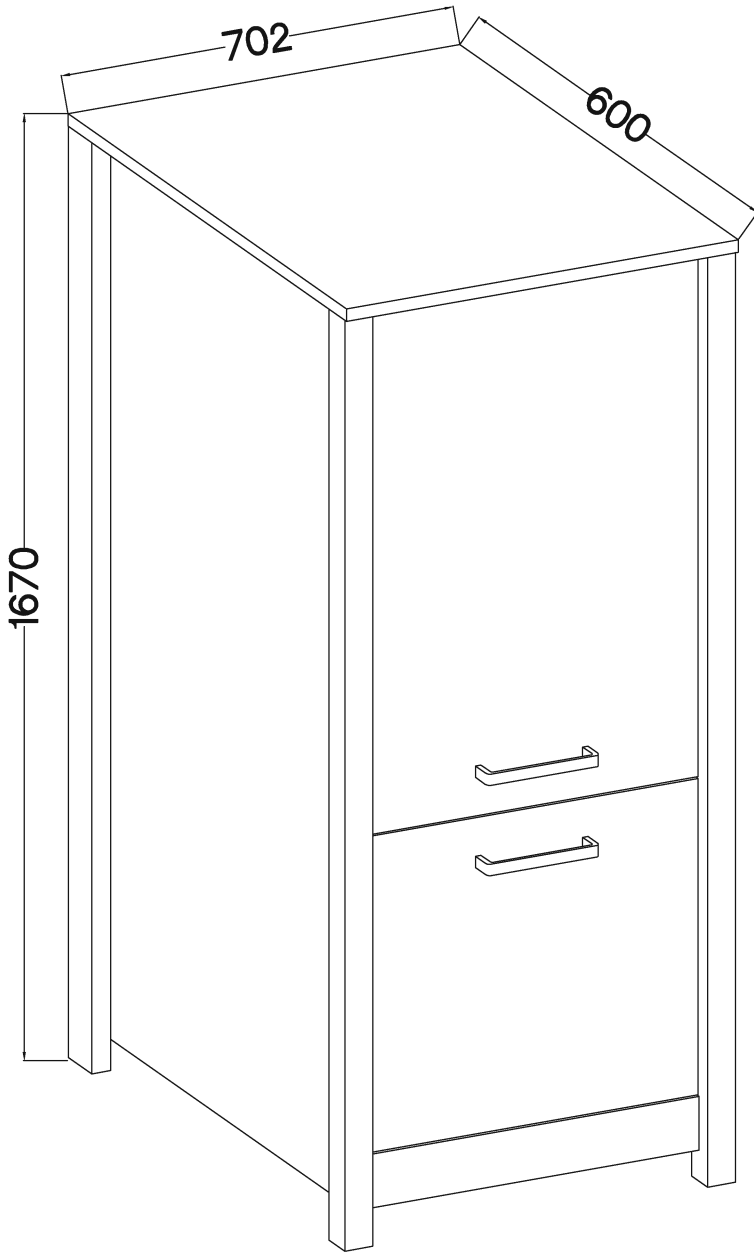
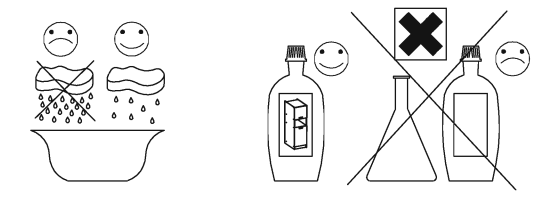
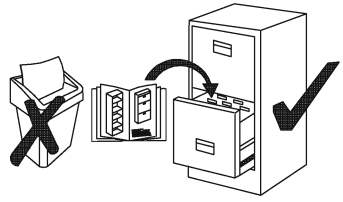
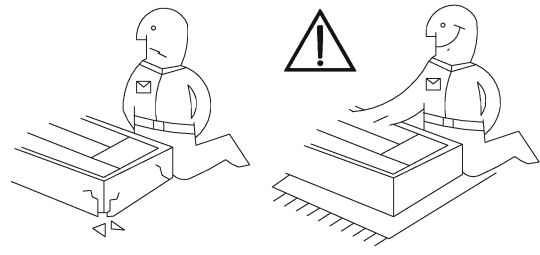
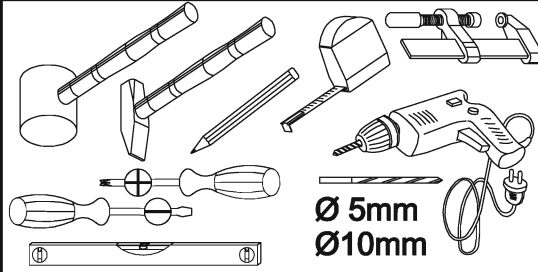
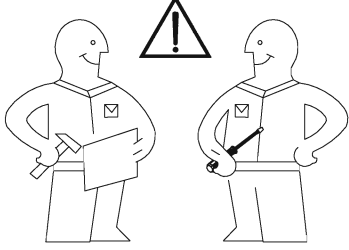


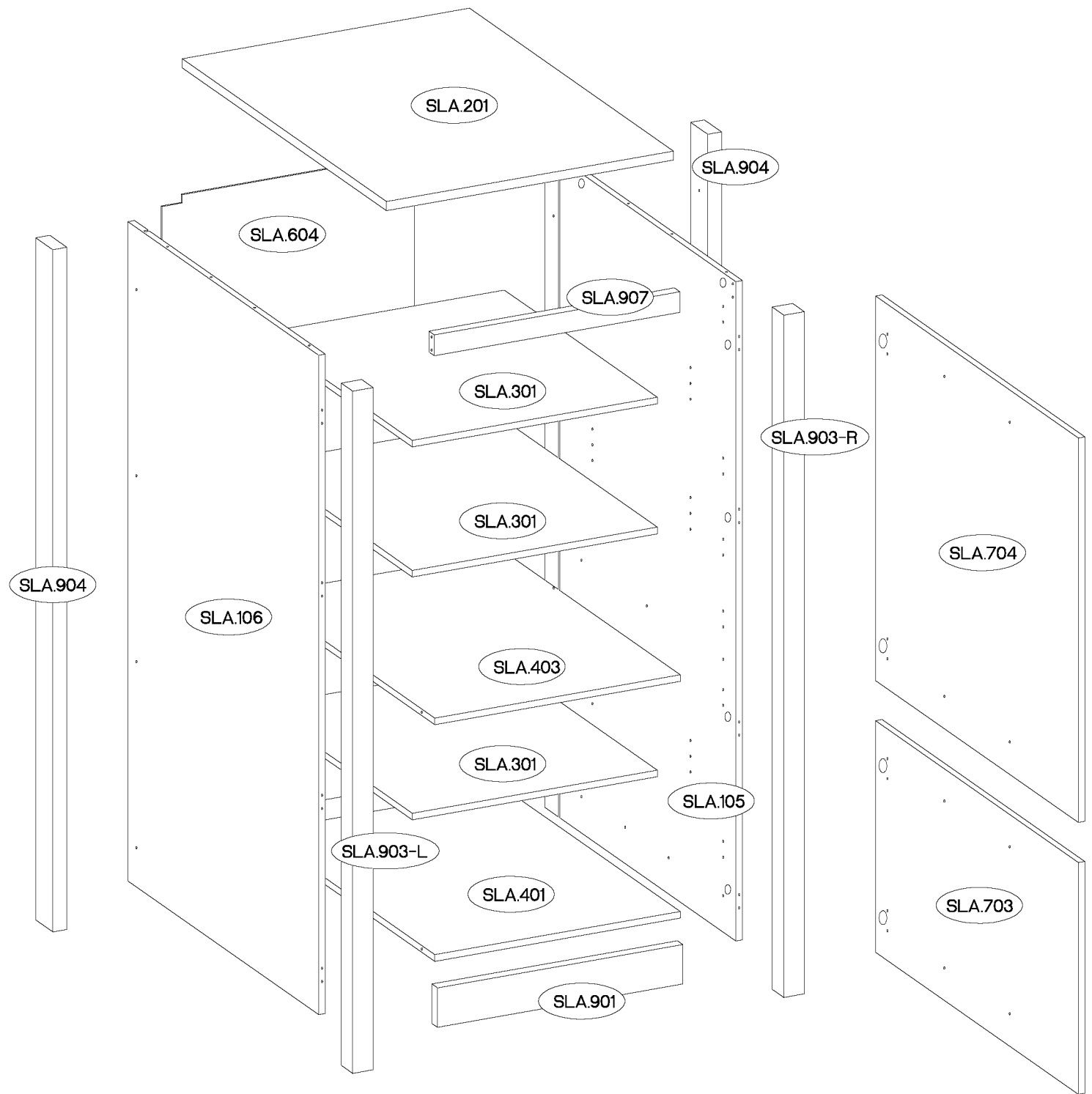
Jméno:

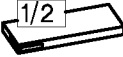
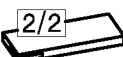
Model:

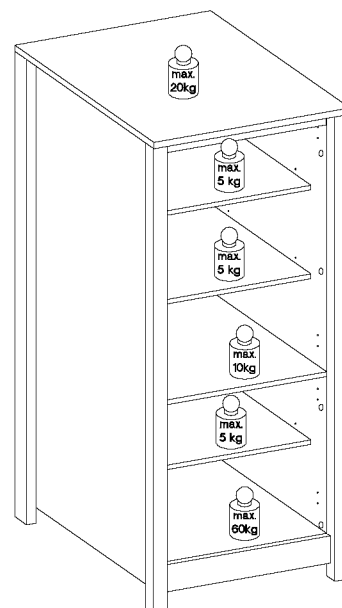


 A 20	 B1 8	 C 22	 D2 22	 E 18	 F37 4	 HG2 4	 J3 12	 J41 4	 L 12
 L25 2	 O 1	 O7 2	 P1 12	 P5 12	 P7 10	 P12 2	 S 2	 T3 6	 U 4

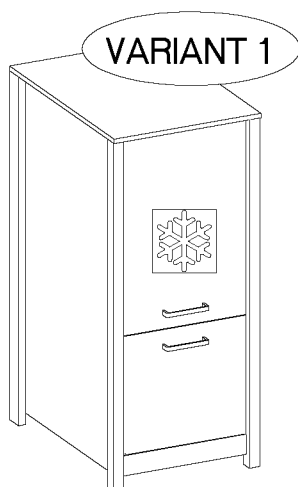
ISM-SLA-003



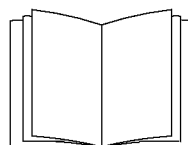
	číslo dielu / číslo dielu	Rozměry/Rozmery
	SLA.201	702x600x22
	SLA.401	600x517x16
	SLA.403	600x517x16
	SLA.301 x3	599x450x16
	SLA.901	600x95x16
	SLA.907	600x50x16
	SLA.703	558x596x16
	SLA.704	926x596x16
	SLA.105	1588x561x16
	SLA.106	1588x561x16
	SLA.604	1518x618x2,5
	SLA.903-R	1643x50x34
	SLA.903-L	1643x50x34
	SLA.904 x2	1643x50x34



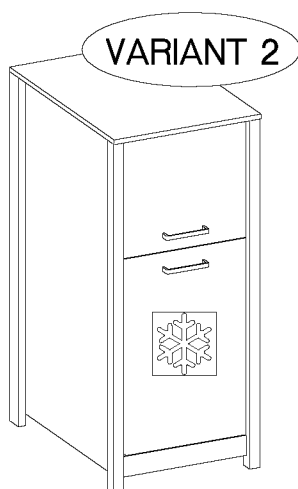
Kombinace ledničky a mrazáku / Kombinácia chladničky a mrazničky



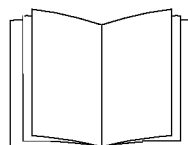
mrazící prostor dole /
mraziaci priestor nižšie



1 — 9

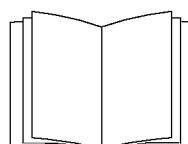
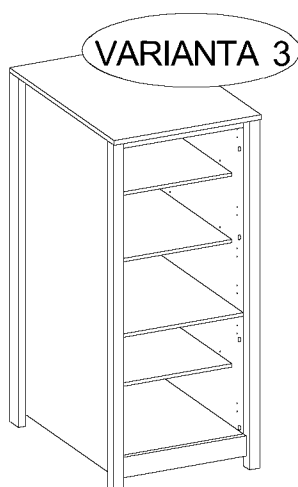


mrazící prostor nad /
mraziaci priestor nad


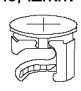
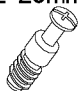

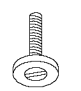
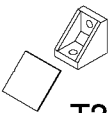



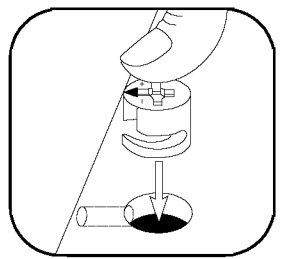
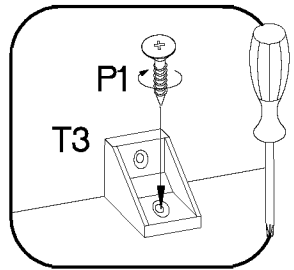
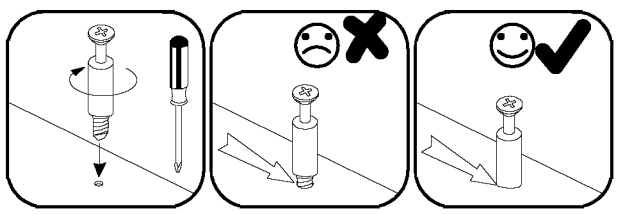
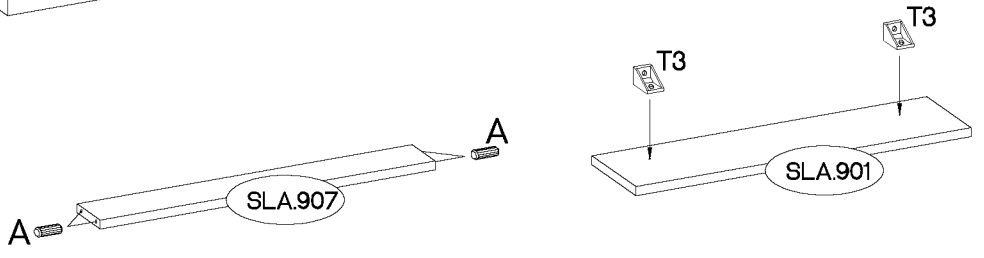
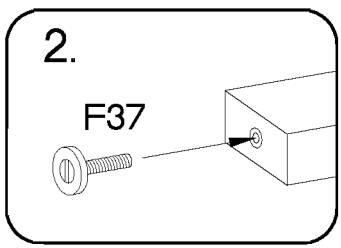
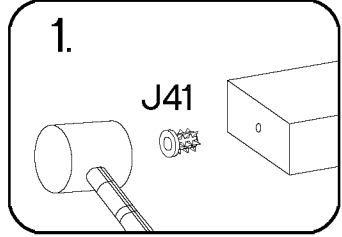
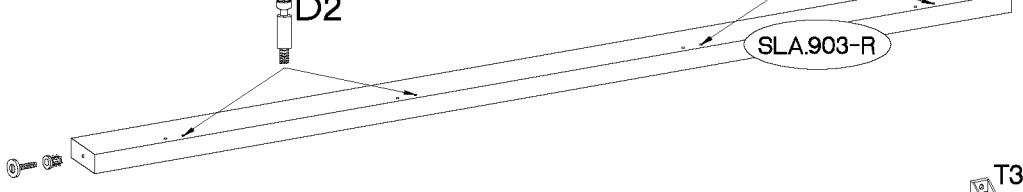
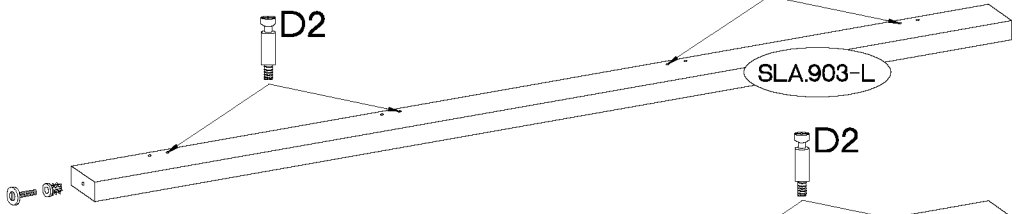
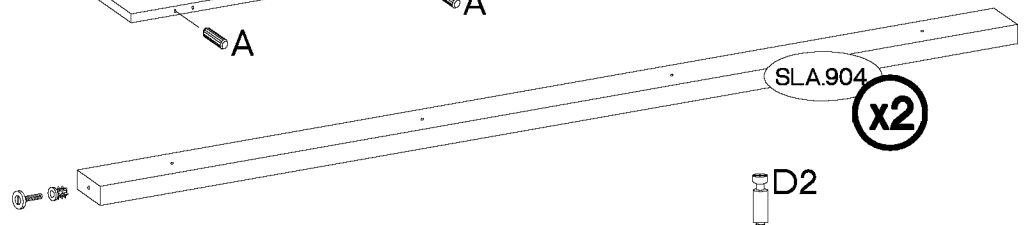
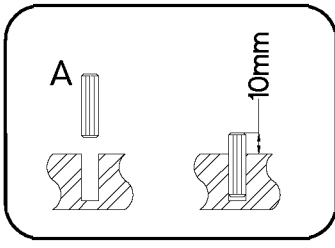
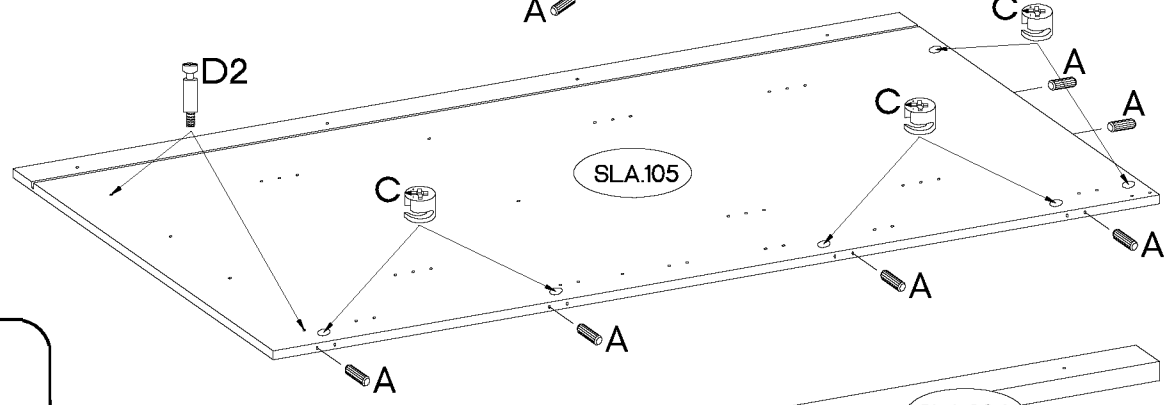
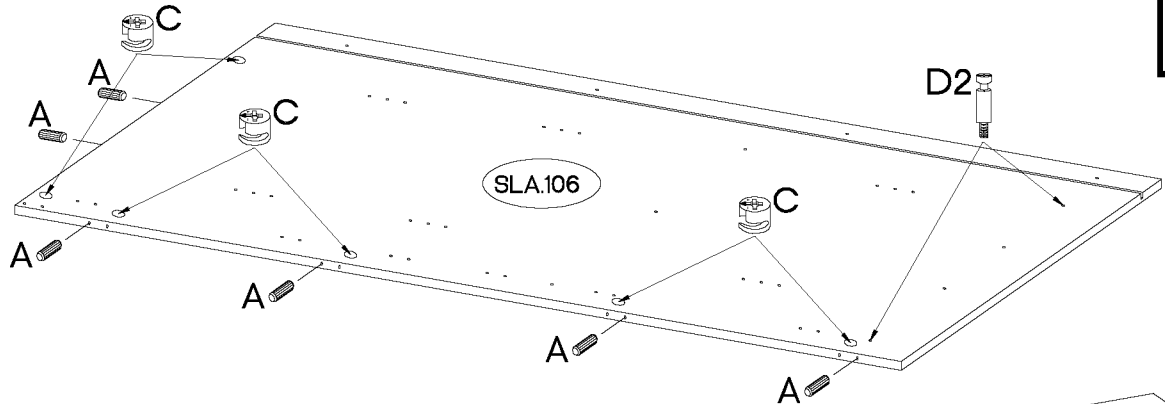
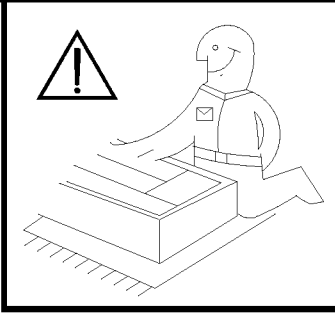
1 — 7
10 — 11

Úložný prostor / Úložný priestor

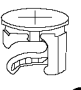
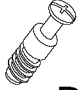
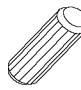


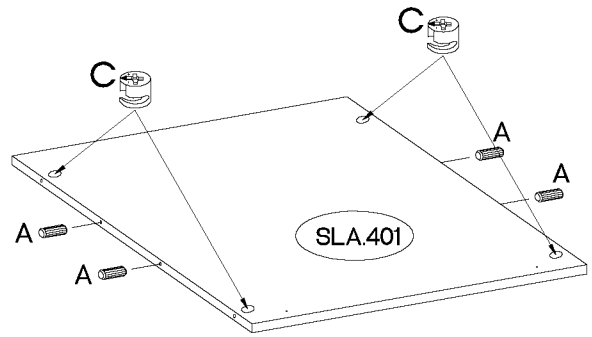
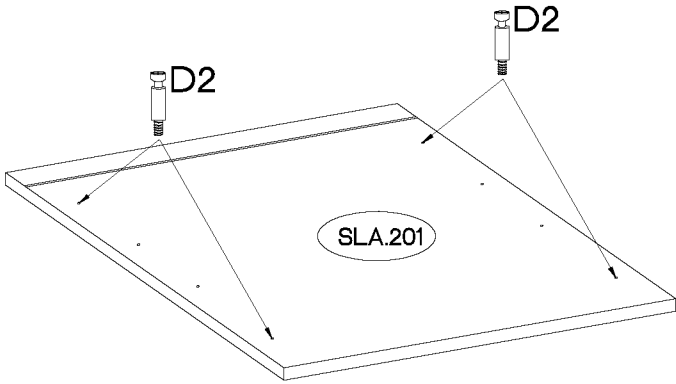
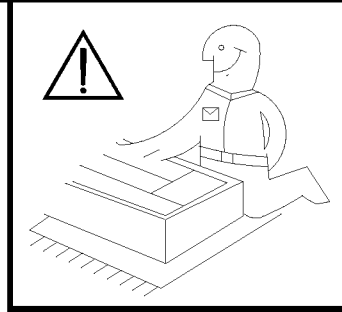
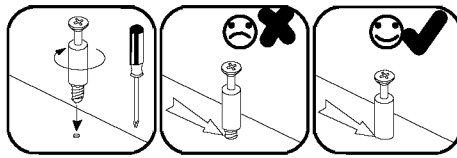
12 — 22

+8x30mm  A 16	+15/12mm  C 12	L=20mm  D2 12	+8/11mm  J41 4	L=28 mm  F37 4	 T3 2	+4.0x16mm  P1 2
--------------------------------------------------------------------------------------------------------	---------------------------------------------------------------------------------------------------------	--------------------------------------------------------------------------------------------------------	---------------------------------------------------------------------------------------------------------	---------------------------------------------------------------------------------------------------------	---------------------------------------------------------------------------------------------	------------------------------------------------------------------------------------------------------------


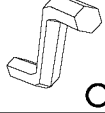


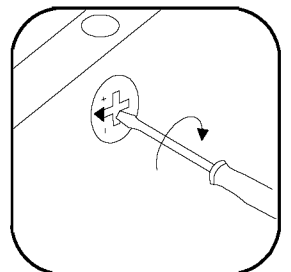
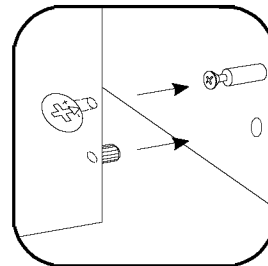
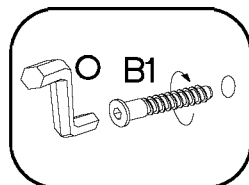
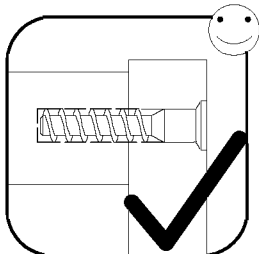
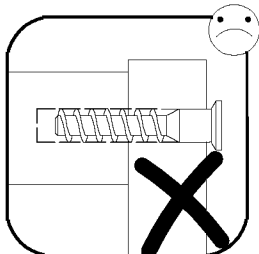
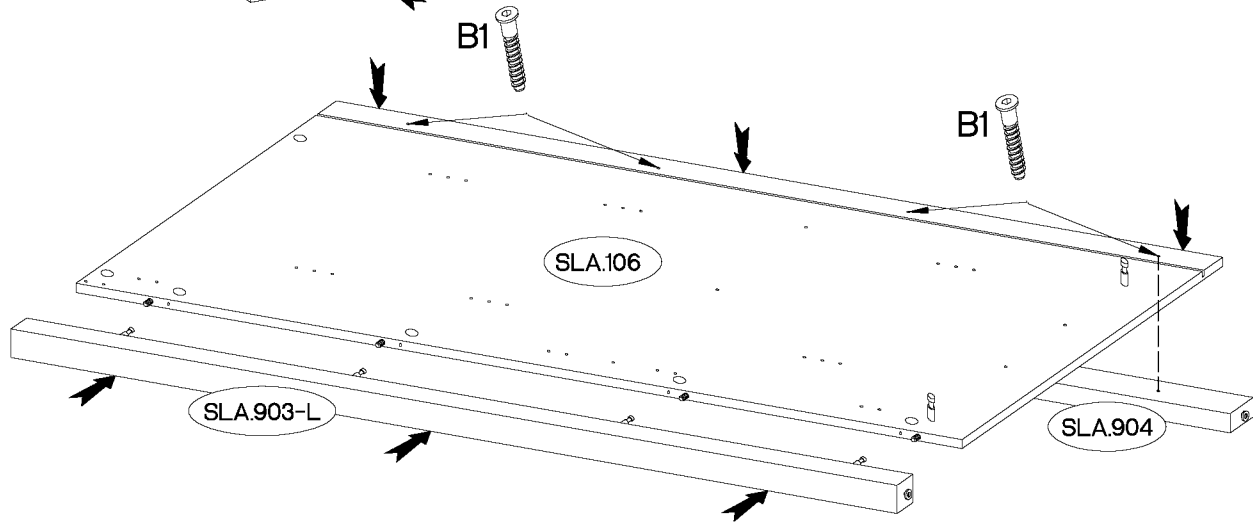
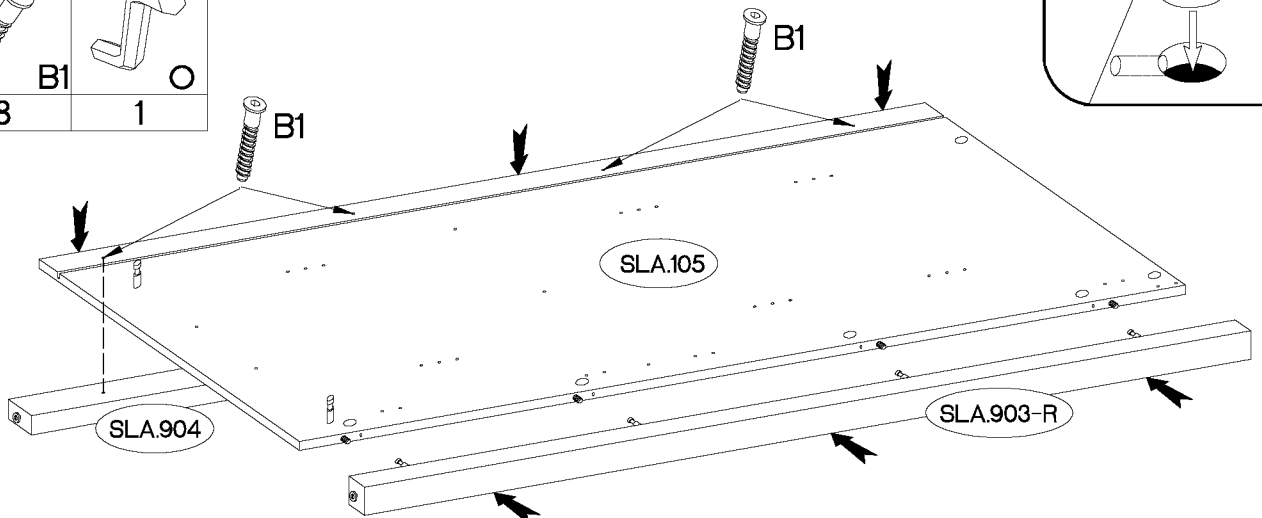
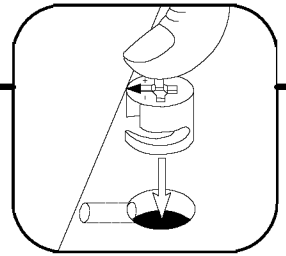
2

#15/12mm  C 4	L=20mm  D2 4	#8x30mm  A 4
--------------------------------------------------------------------------------------------------------	-------------------------------------------------------------------------------------------------------	-------------------------------------------------------------------------------------------------------




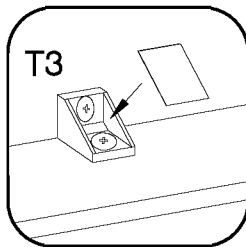
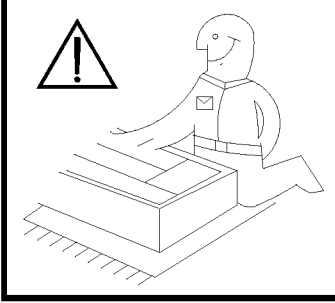
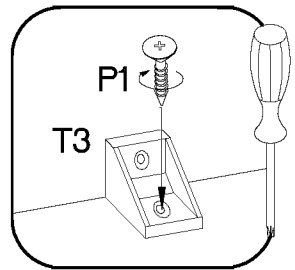
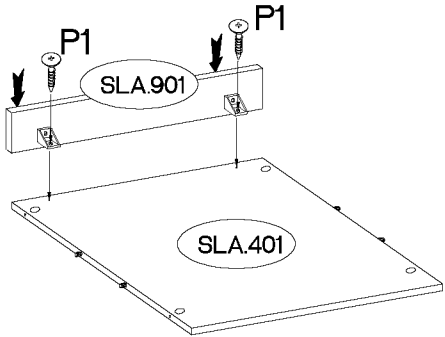
3

6,4 x 35mm  B1 8	 O 1
------------------------------------------------------------------------------------------------------------	---------------------------------------------------------------------------------------------

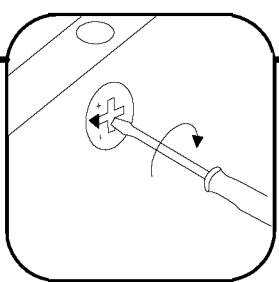
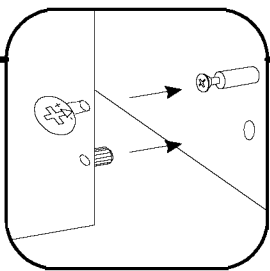
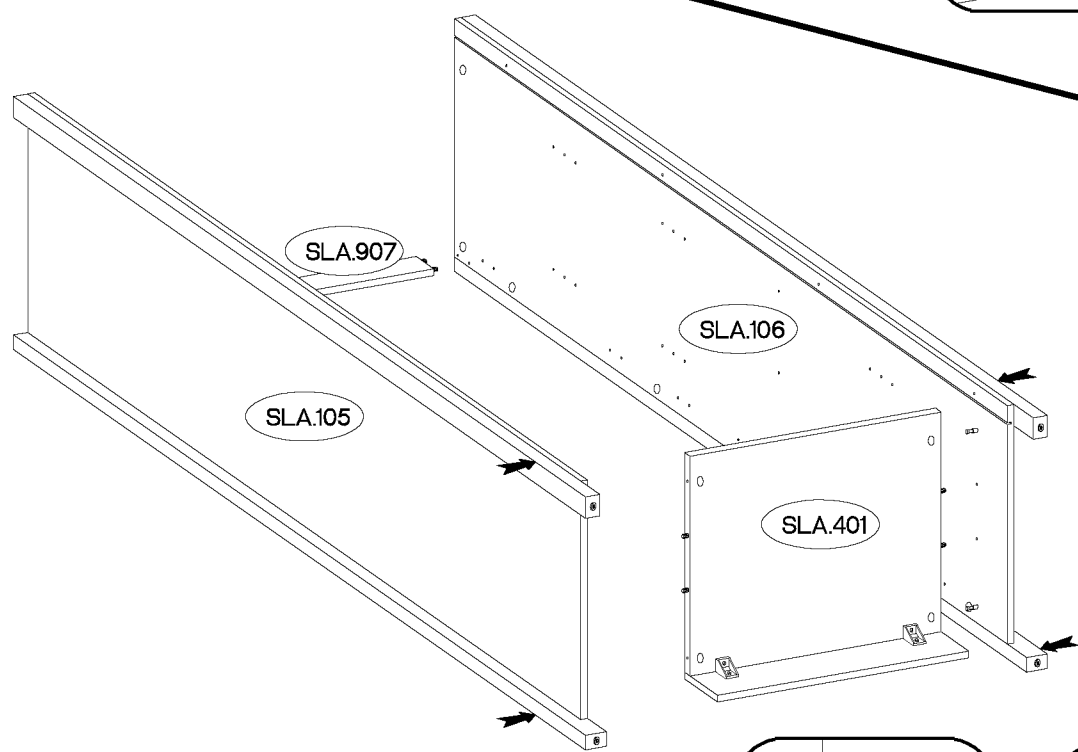


4

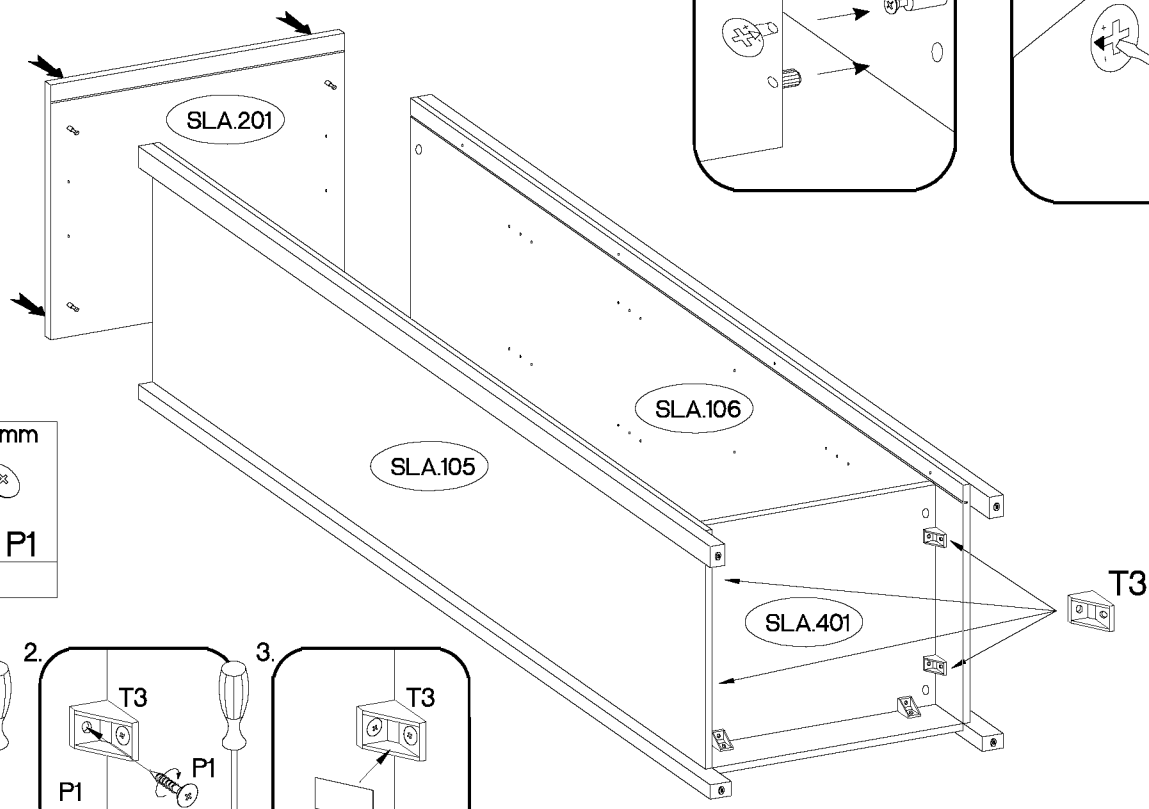
+4.0x16mm

P1
2

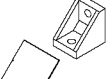



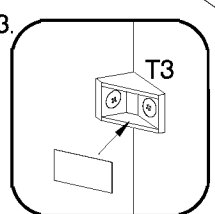
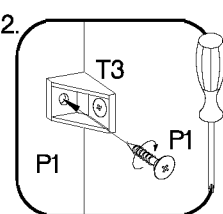
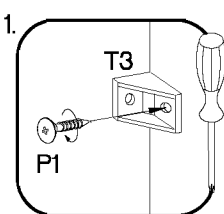
5


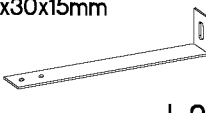





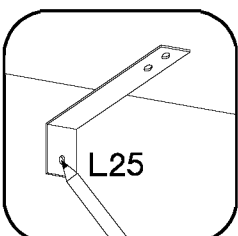
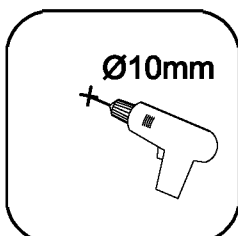
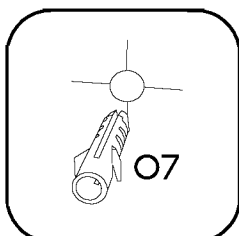
6

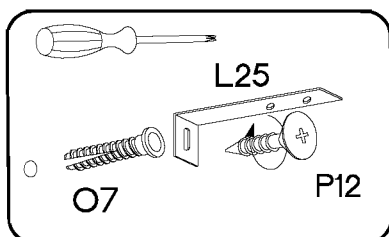
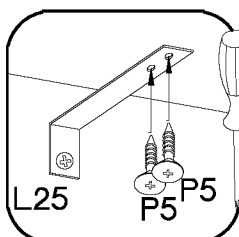


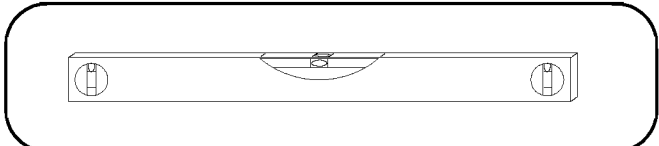
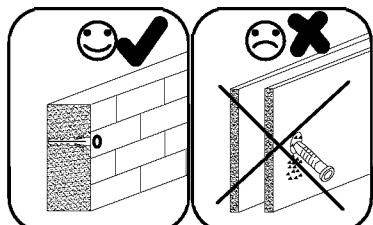
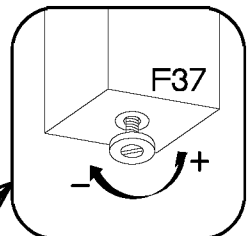
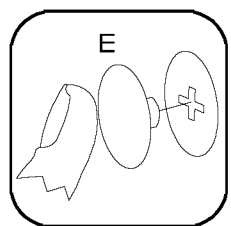
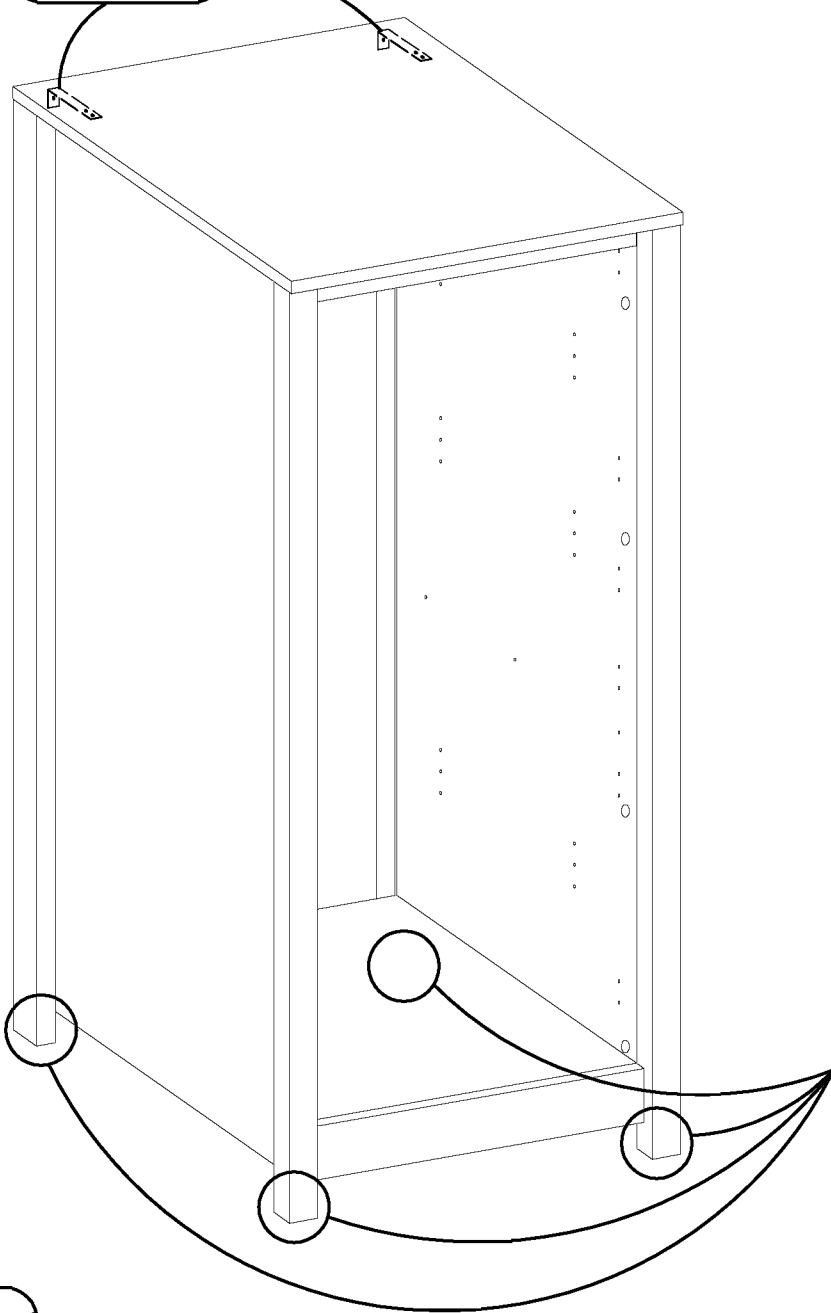
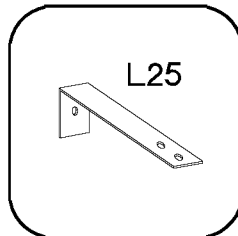
	+4.0x16mm
T3	
4	P1
	8



†5.0x60mm  P12 2	120x30x15mm  L25 2	
†3.5x13mm  P5 4	†10x50mm  O7 2	 E 12

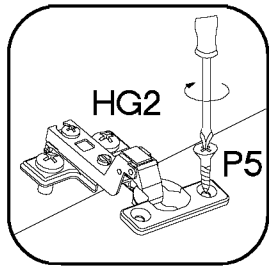
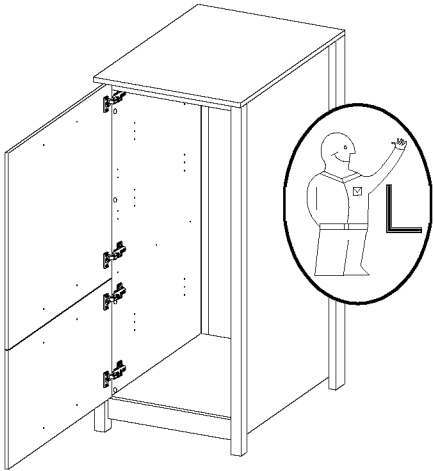
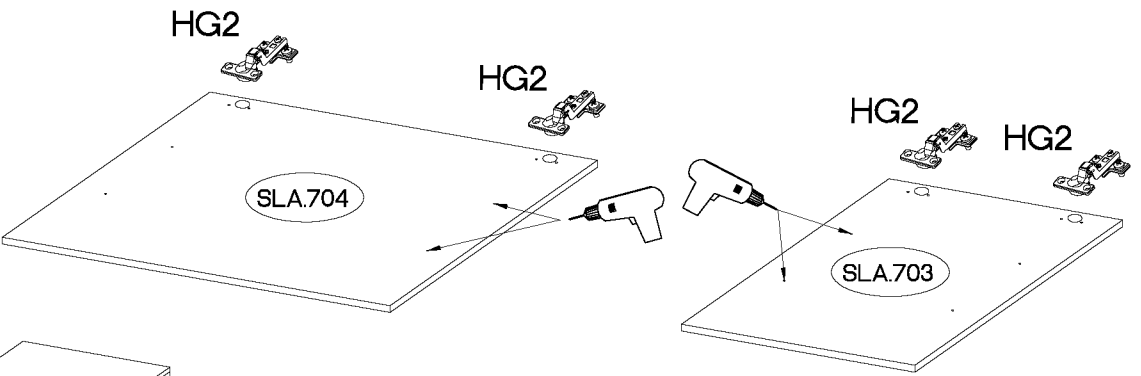
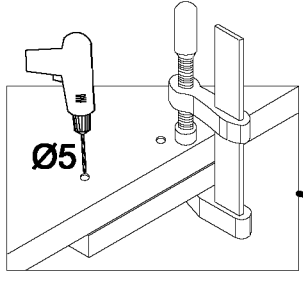
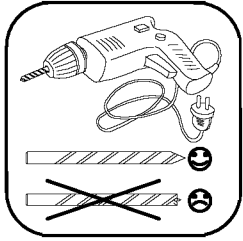
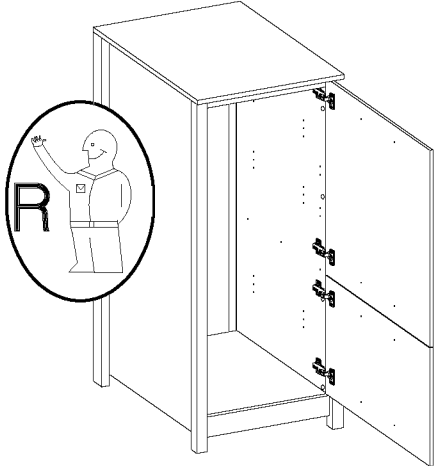
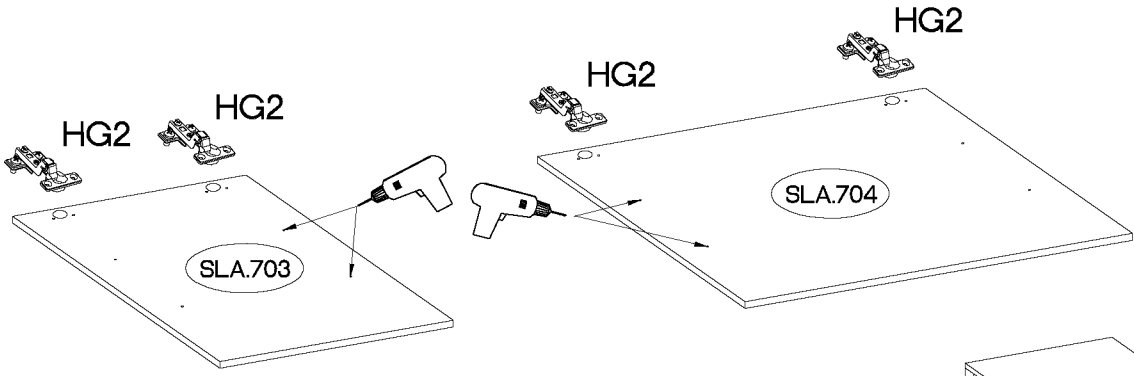
- 
- 
- 

- 
- 





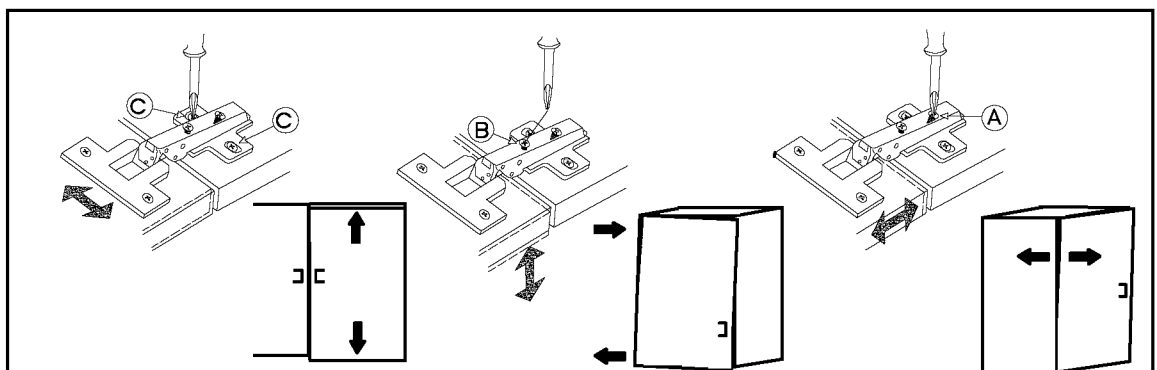
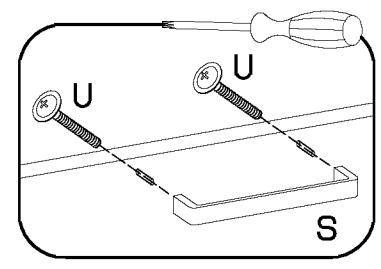
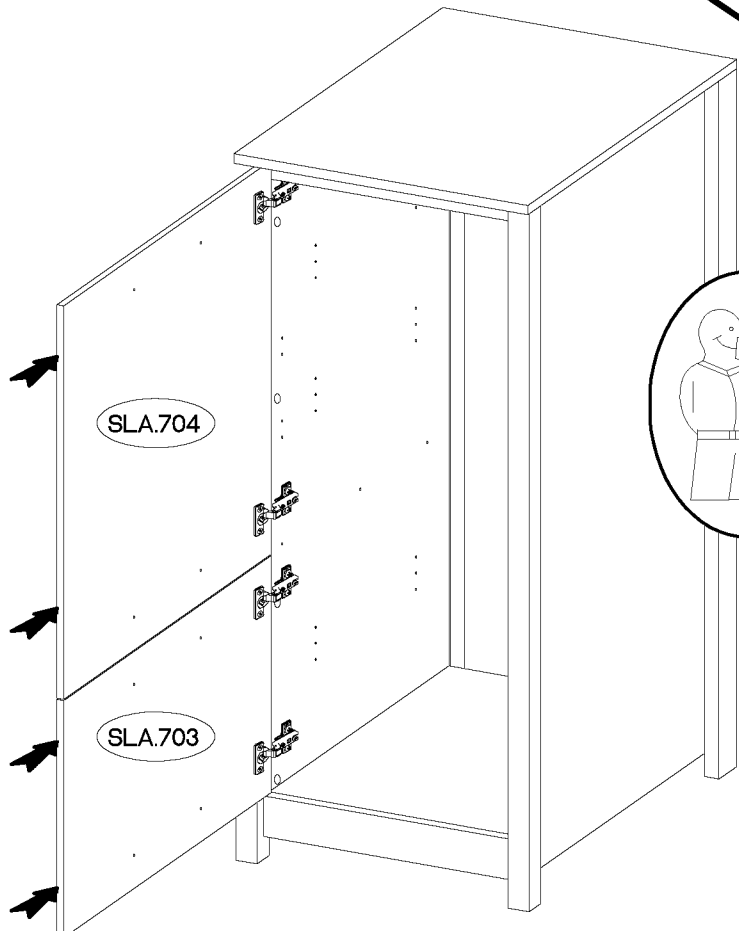
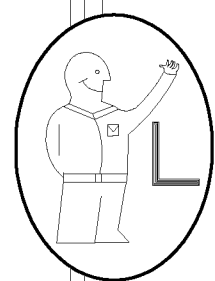
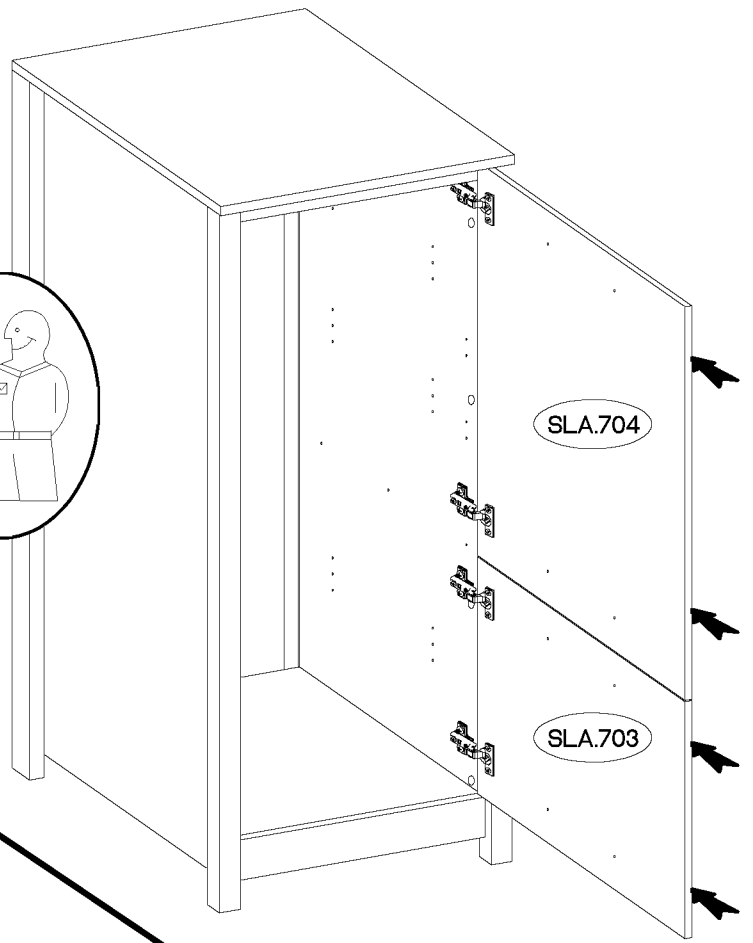
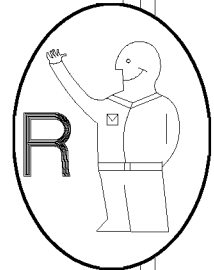
+35/16mm +3.5x13mm	
[CD] HG2	P5
4	8

VARIANT 1



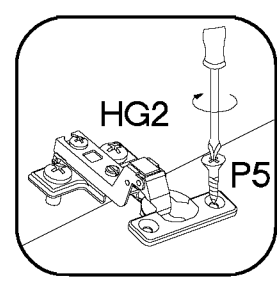
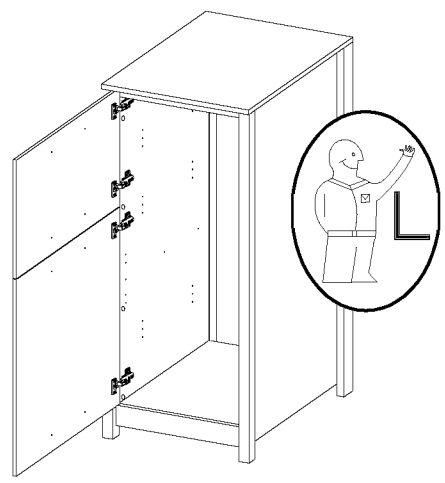
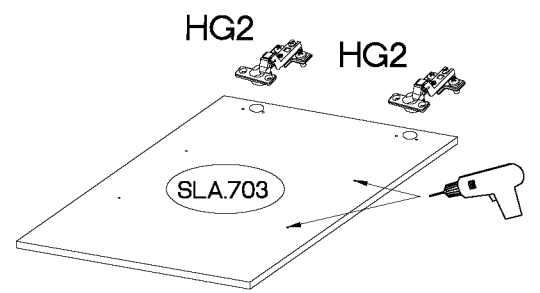
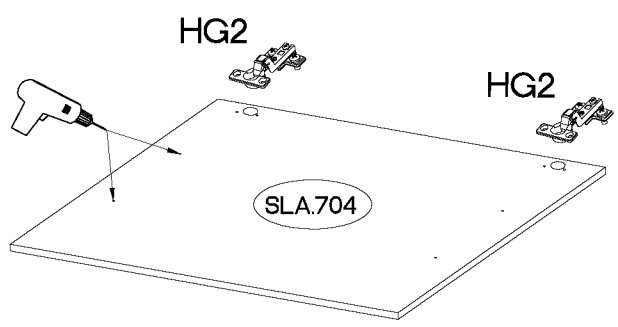
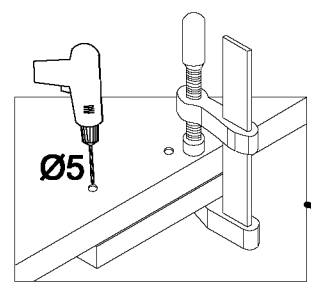
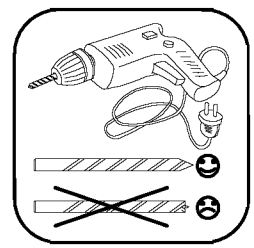
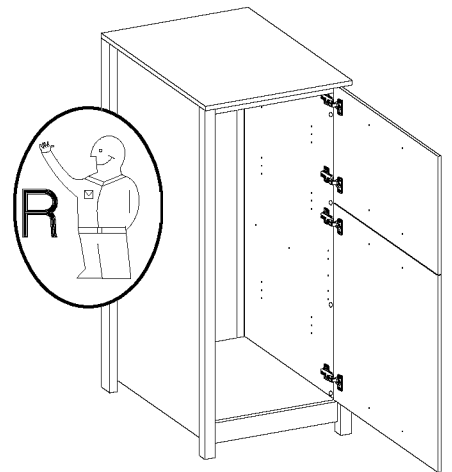
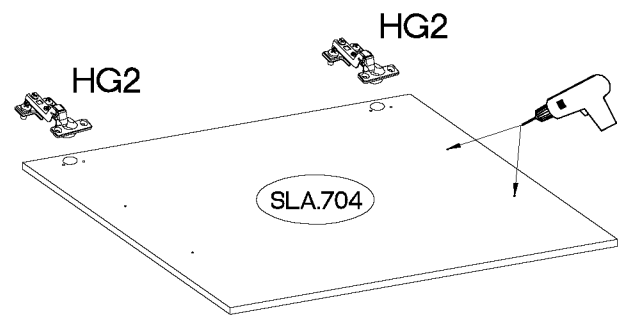
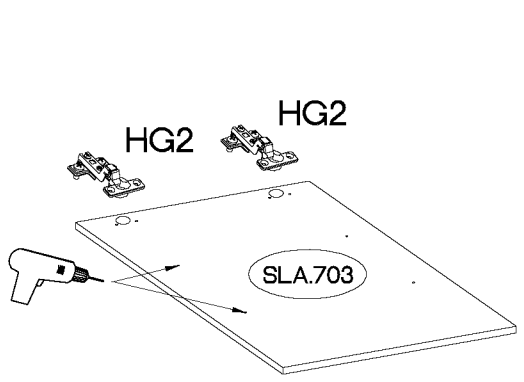
9



M4x22mm	L=160mm
	
U	S
4	2

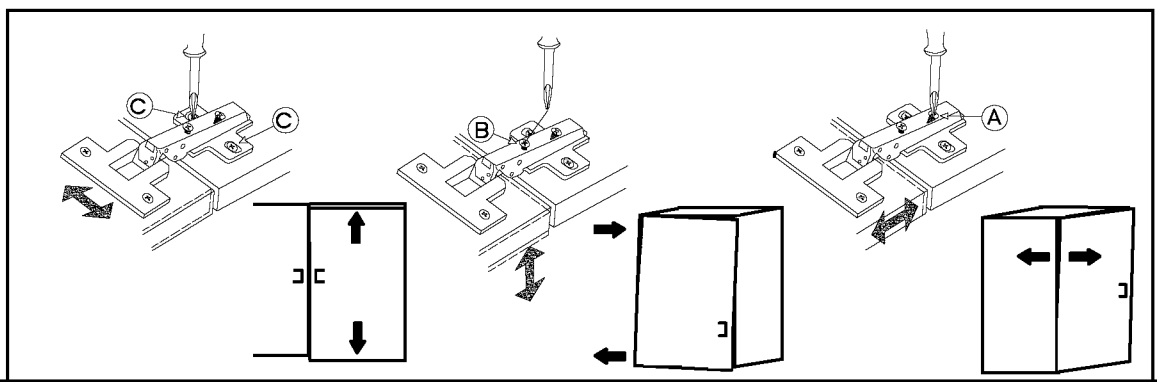
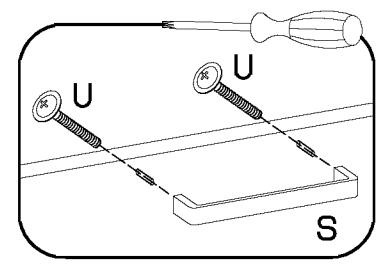
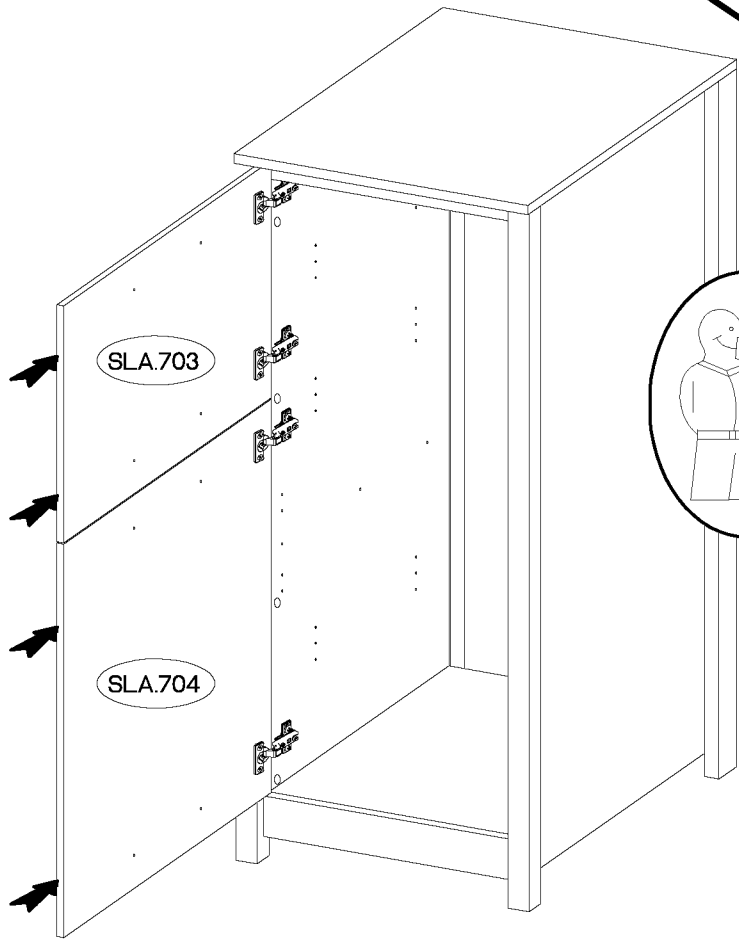
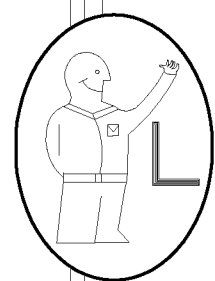
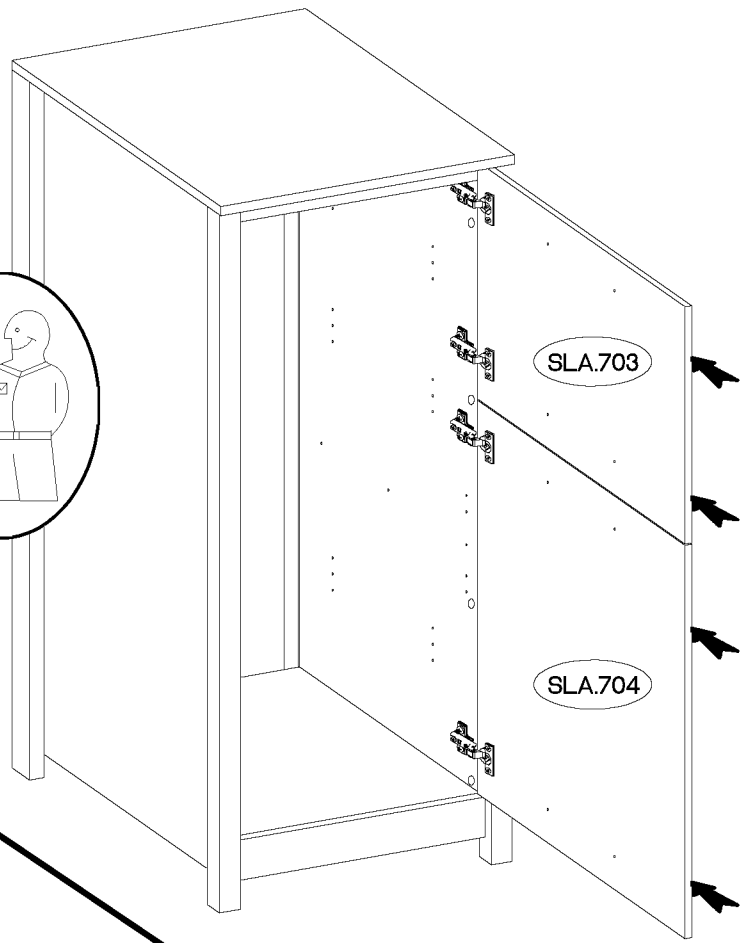
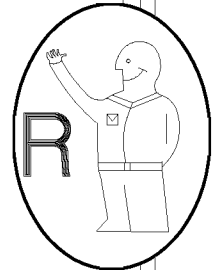


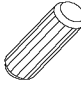
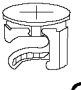



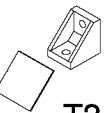
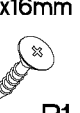
+35/16mm +3.5x13mm	
[CD]	
HG2	P5
4	8

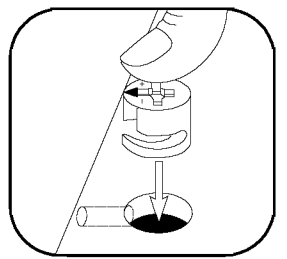
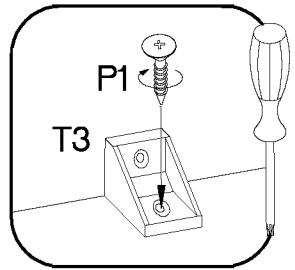
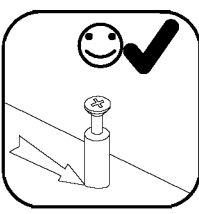
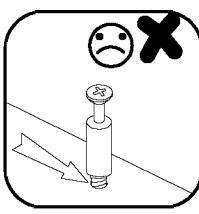
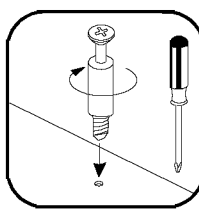
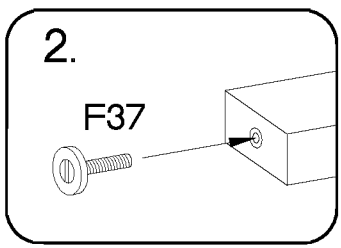
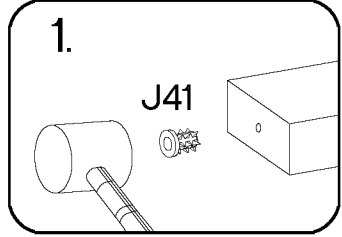
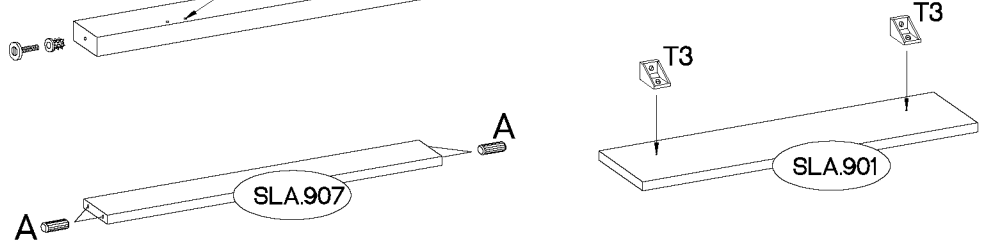
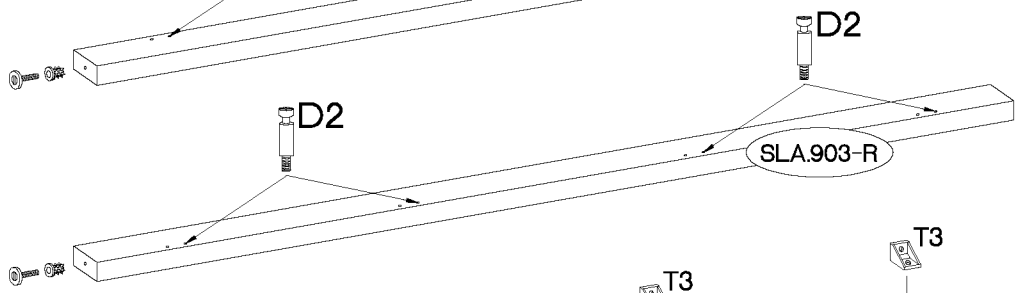
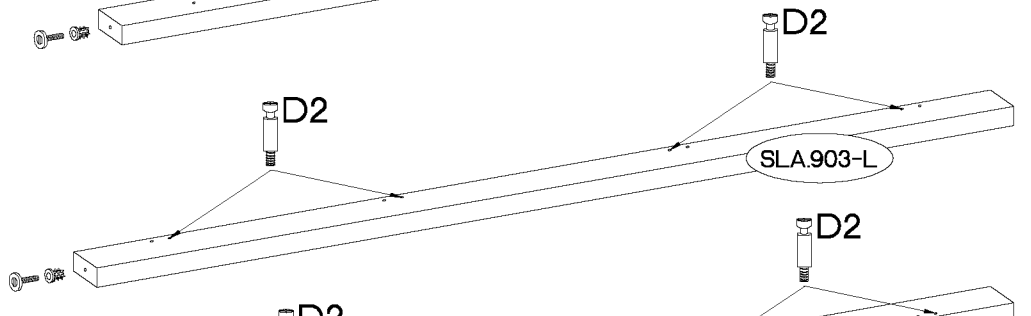
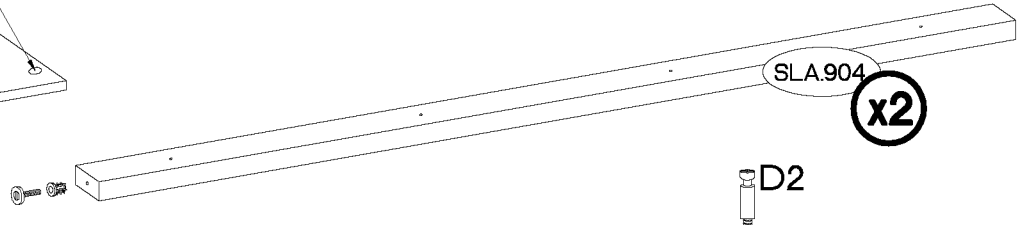
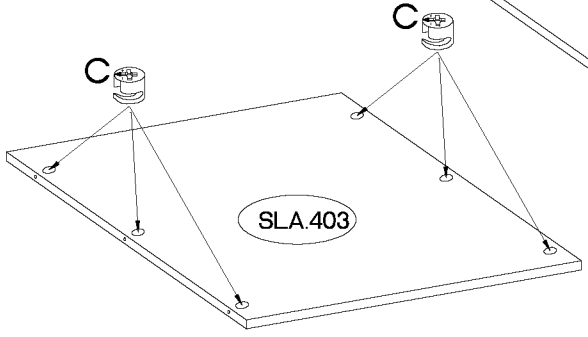
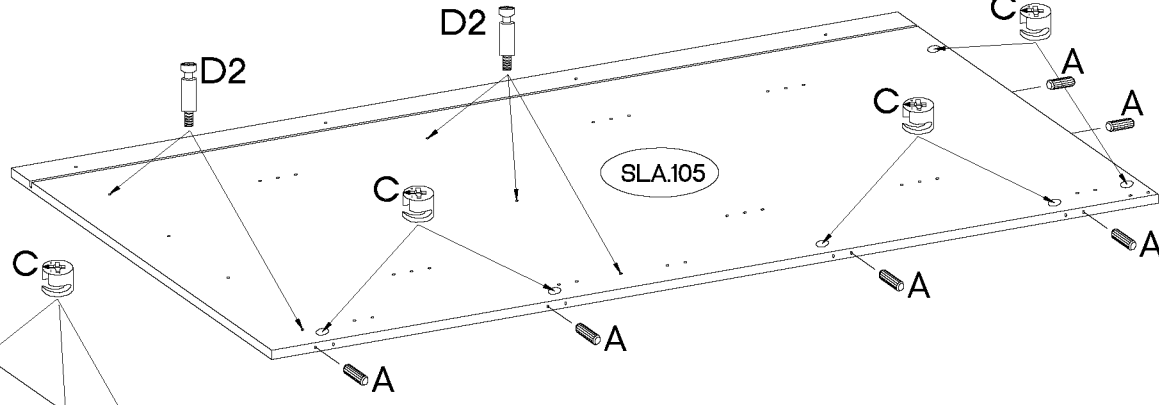
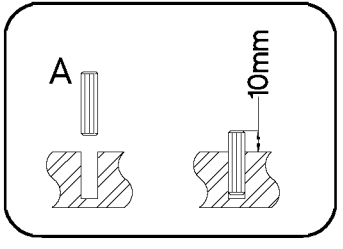
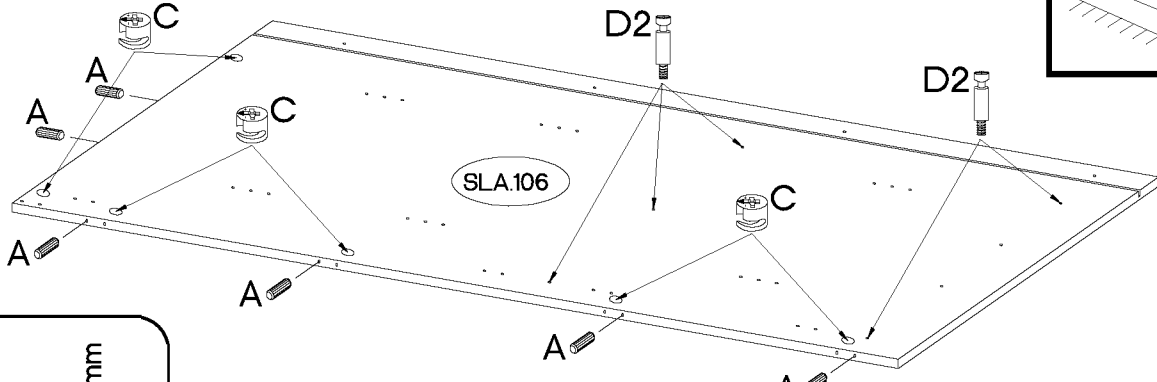
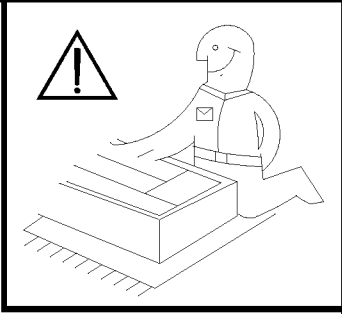
VARIANT 2



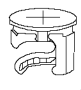
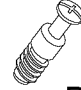
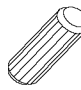
M4x22mm	L=160mm
	
U	S
4	2

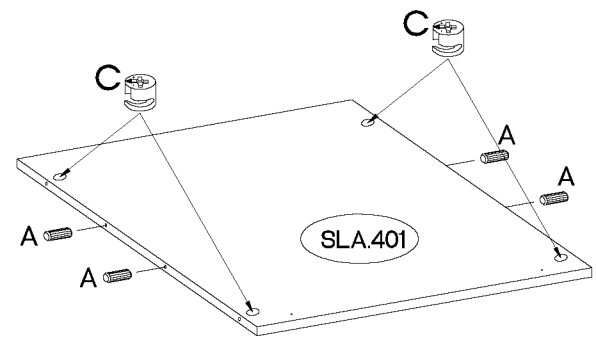
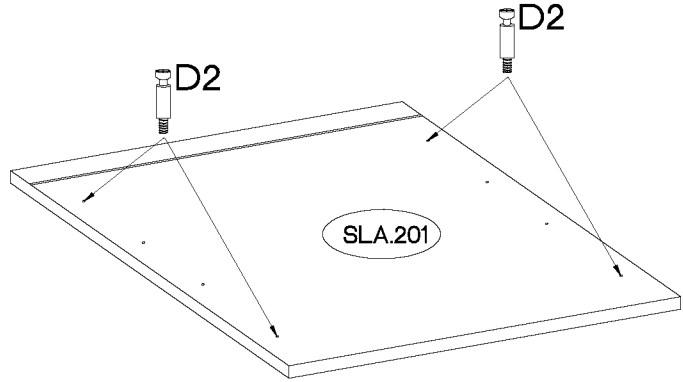
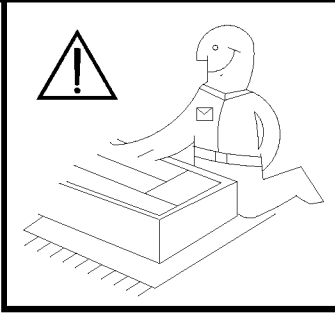
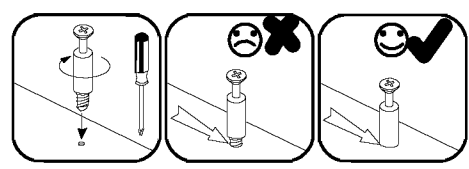


+8x30mm  A	+15/12mm  C	L=20mm  D2	+8/11mm  J41	L=28 mm  F37	 T3	+4.0x16mm  P1
16	18	18	4	4	2	2


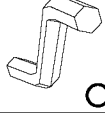


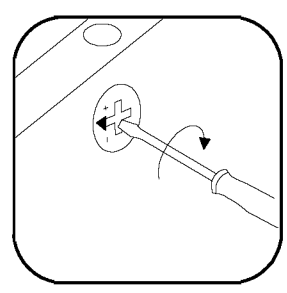
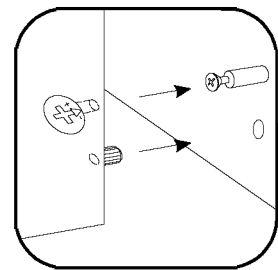
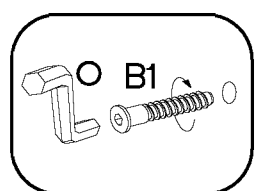
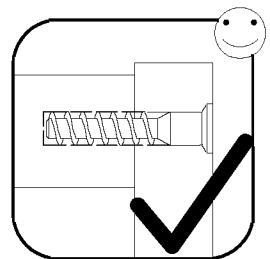
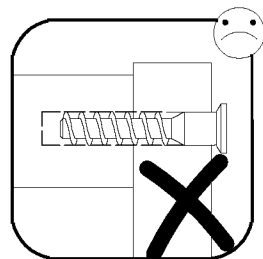
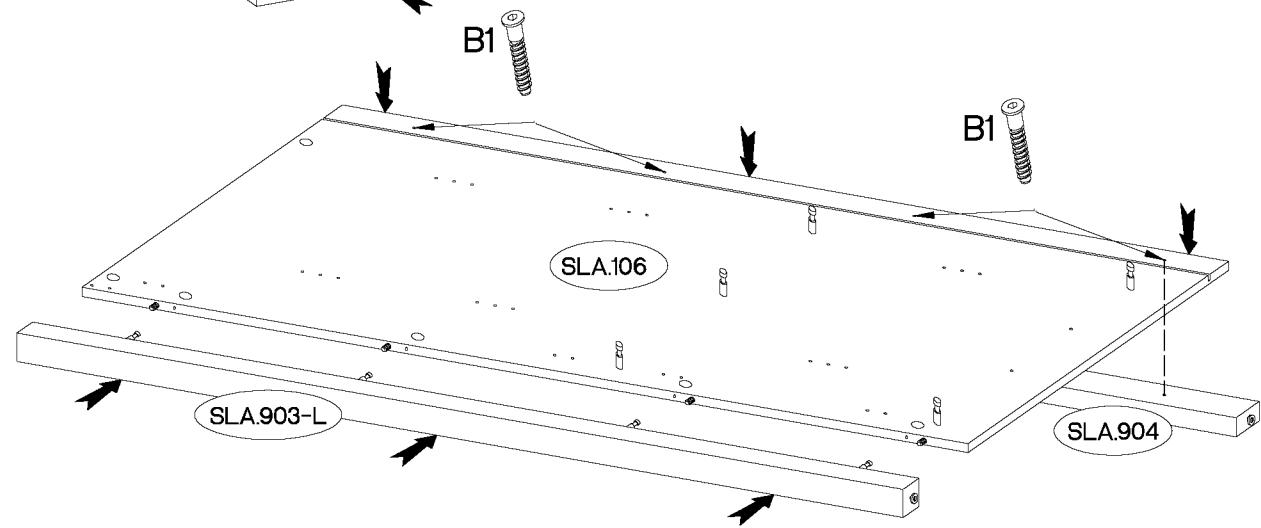
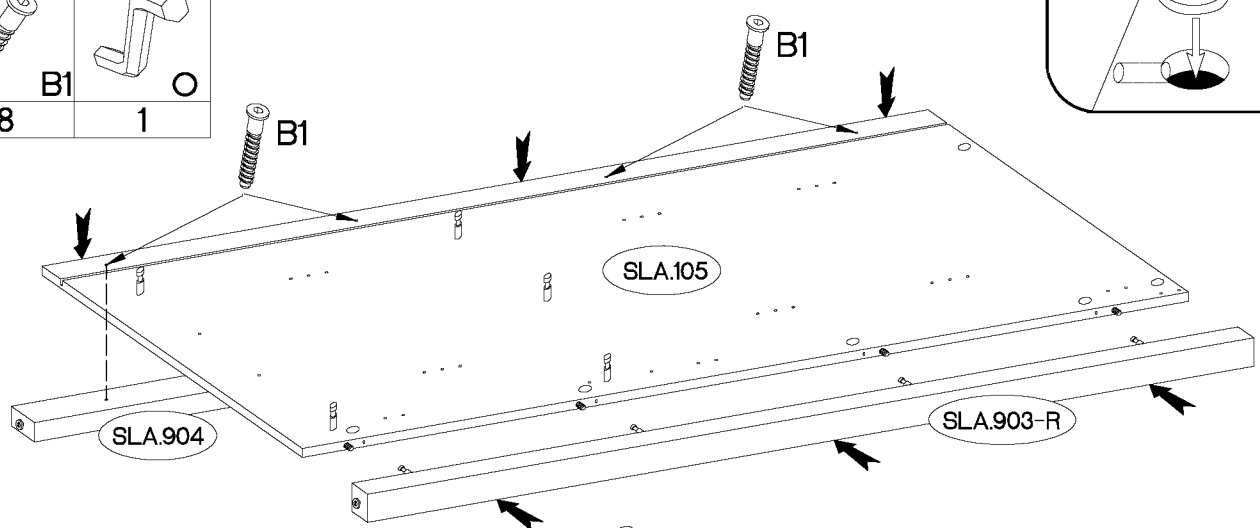
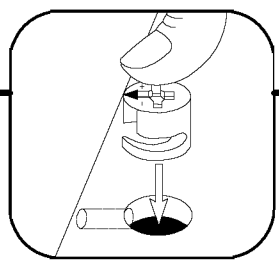
13

#15/12mm  C 4	L=20mm  D2 4	#8x30mm  A 4
--------------------------------------------------------------------------------------------------------	-------------------------------------------------------------------------------------------------------	-------------------------------------------------------------------------------------------------------




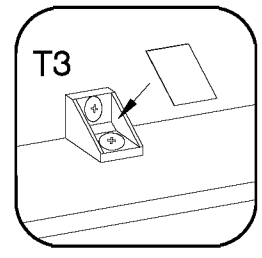
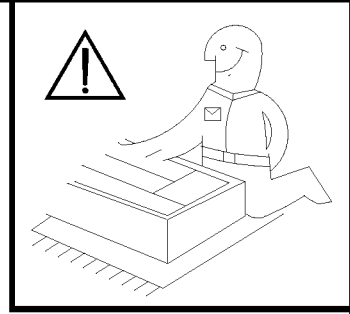
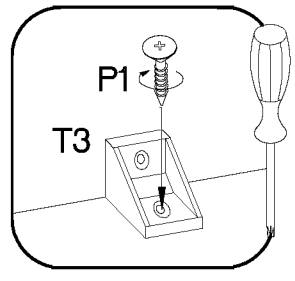
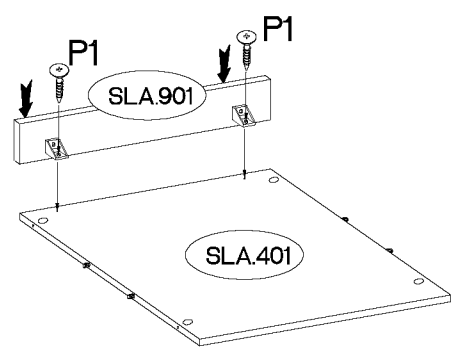
14

6,4 x 35mm  B1 8	 O 1
------------------------------------------------------------------------------------------------------------	---------------------------------------------------------------------------------------------

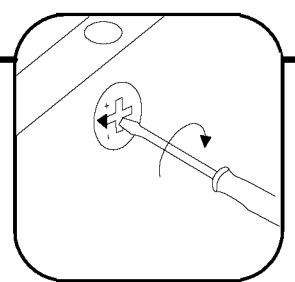
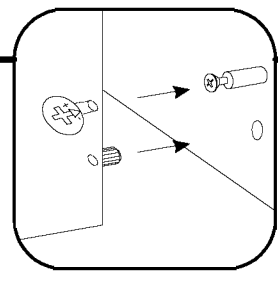
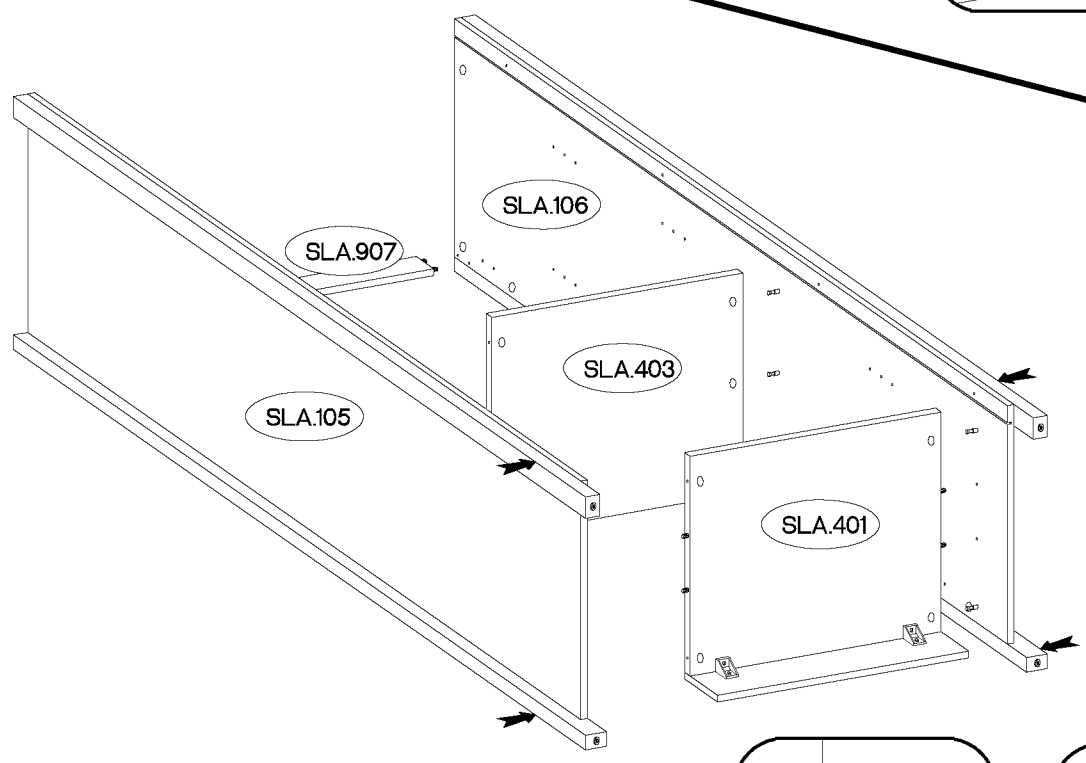


15

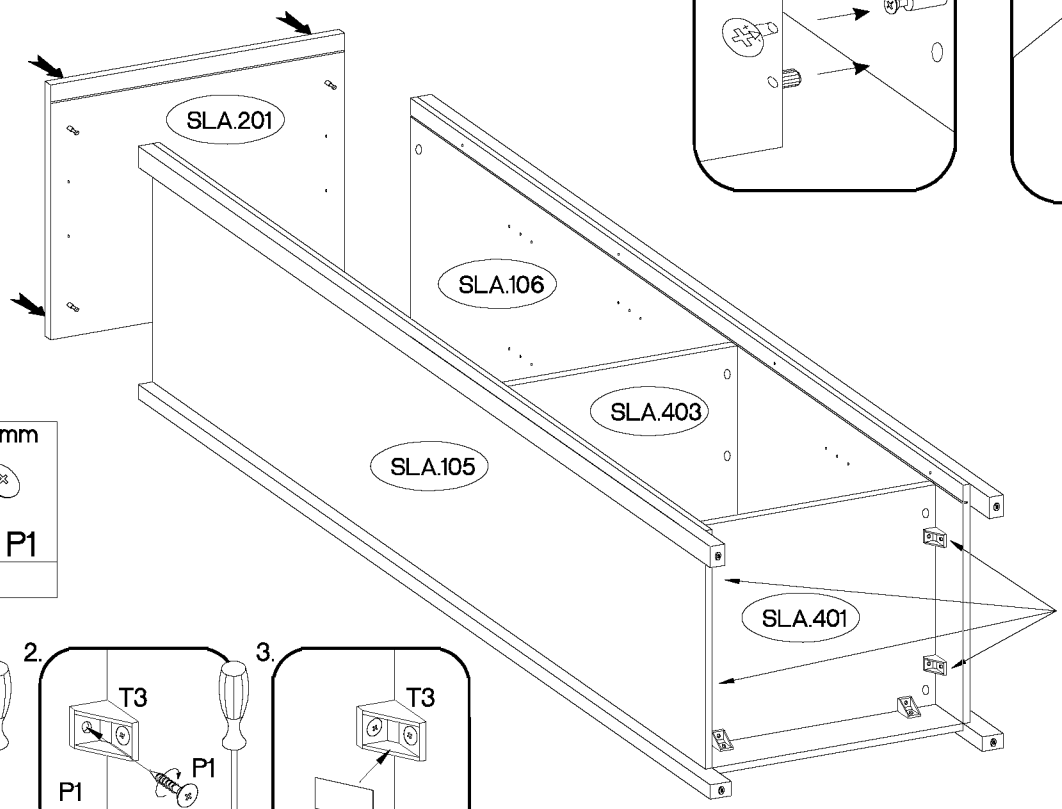
+4.0x16mm

P1
2

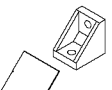



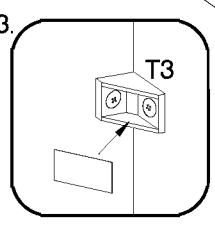
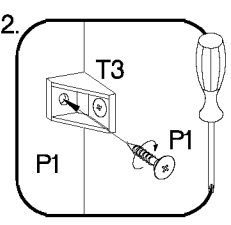
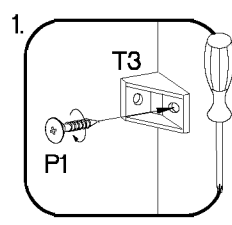
16

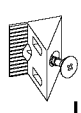



17

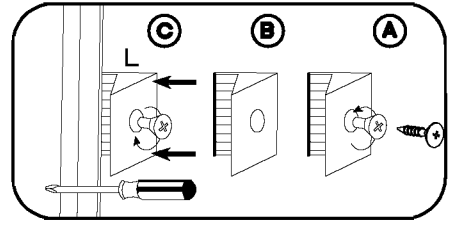
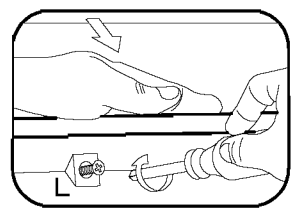
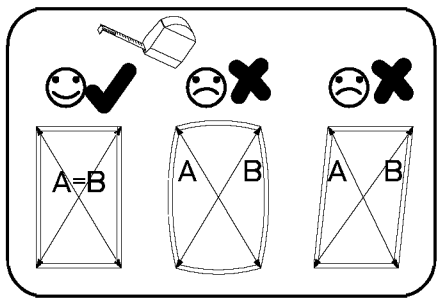
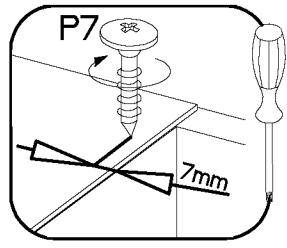
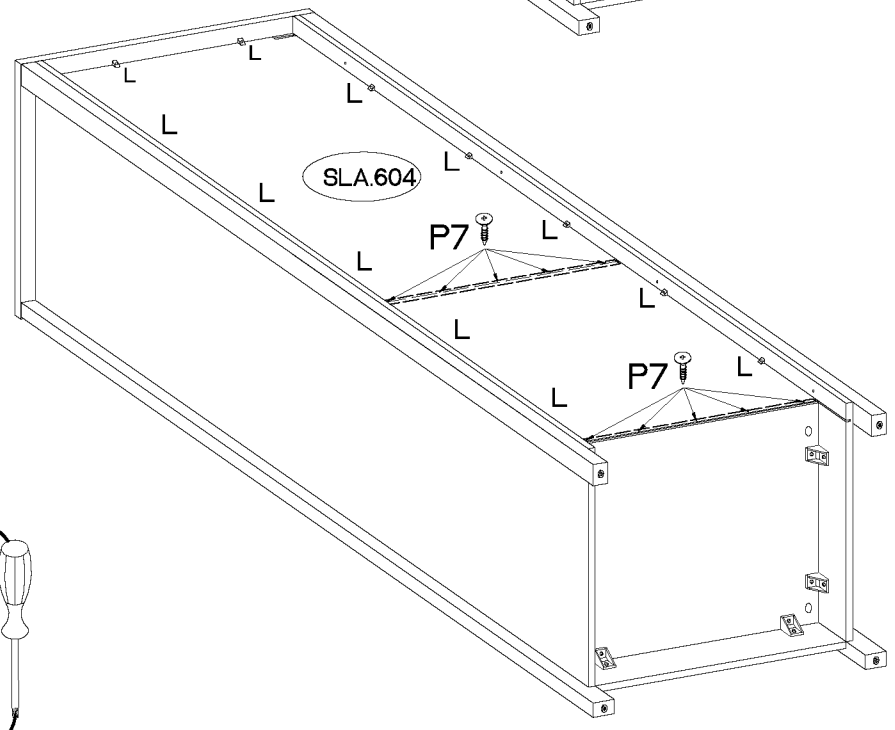
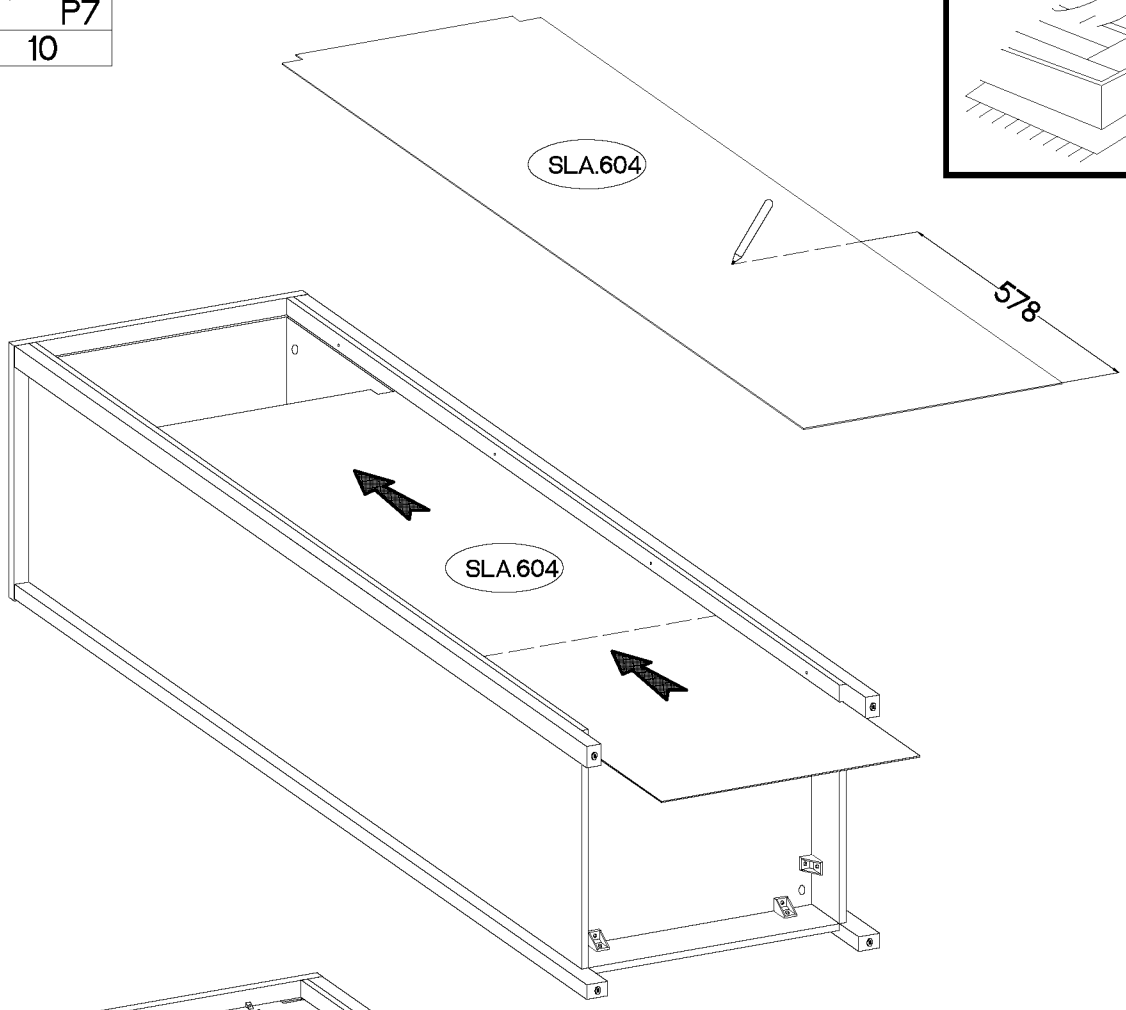
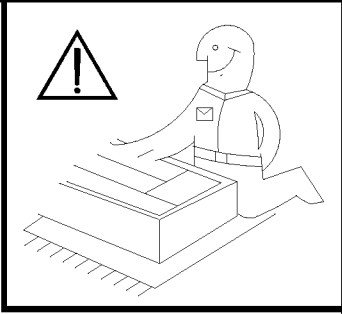



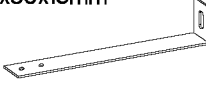


	+4.0x16mm
T3	
4	P1
	8

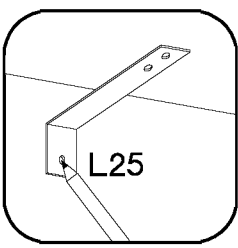
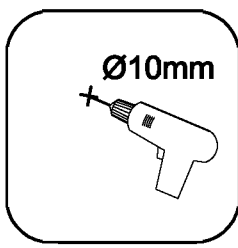
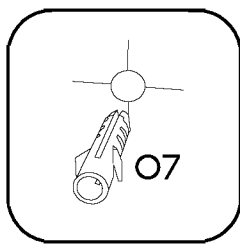
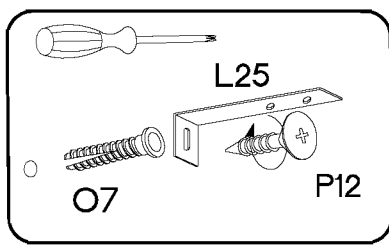
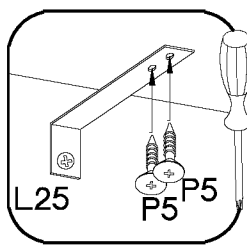


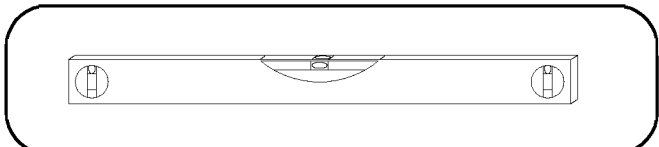
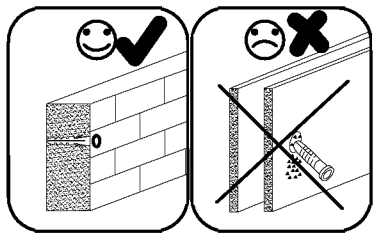
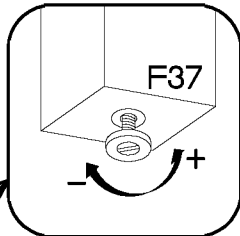
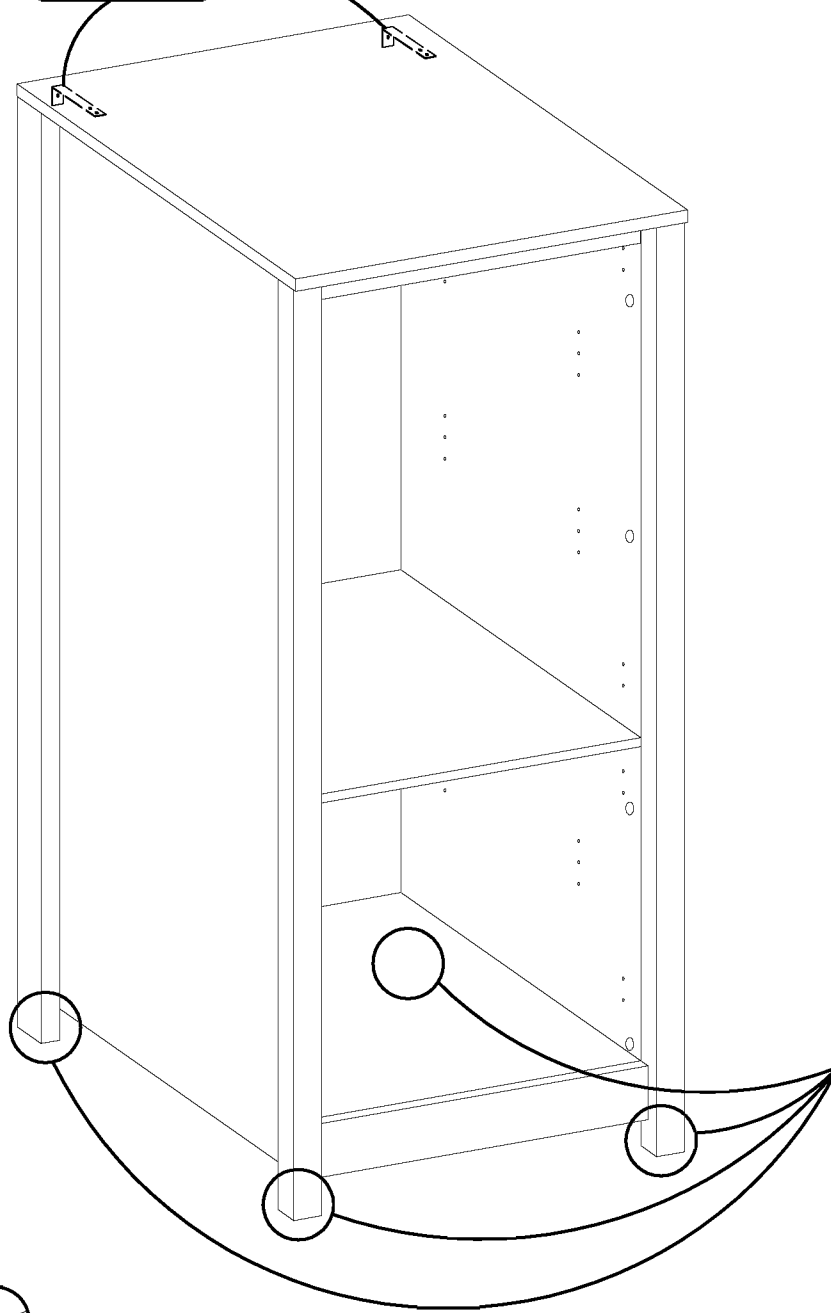
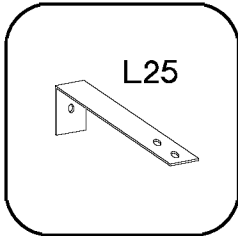
 L 12	 P7 10
---------------------------------------------------------------------------------------------	----------------------------------------------------------------------------------------------

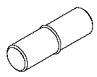

+3.0x20mm

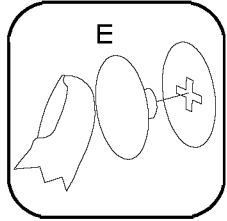
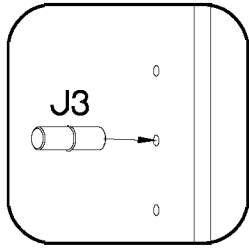
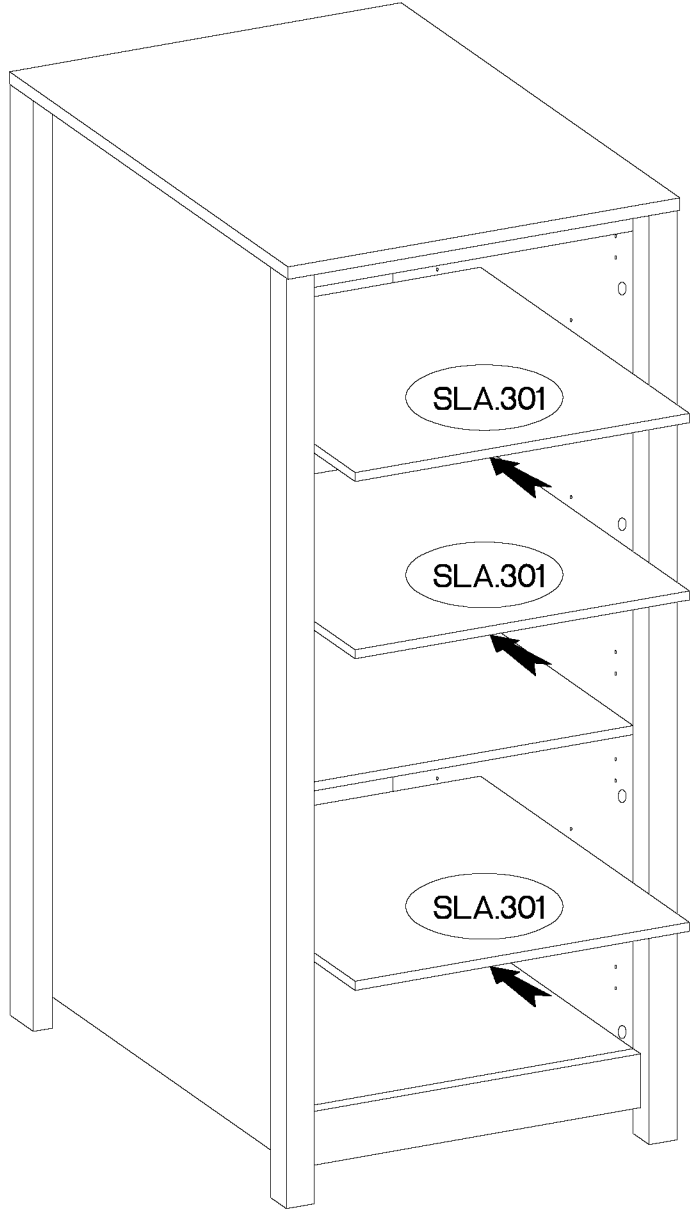


†5.0x60mm  P12 2	120x30x15mm  L25 2
†3.5x13mm  P5 4	†10x50mm  O7 2

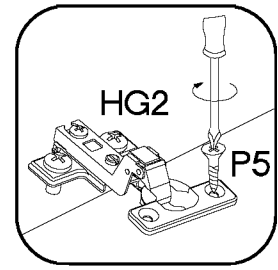
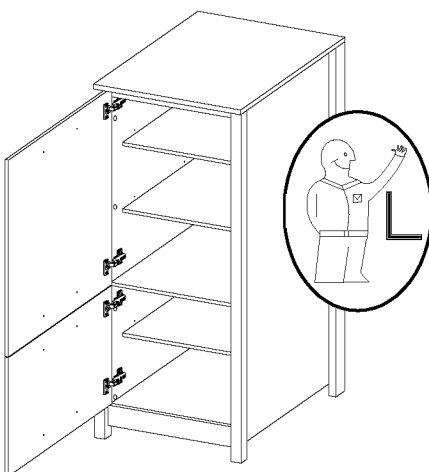
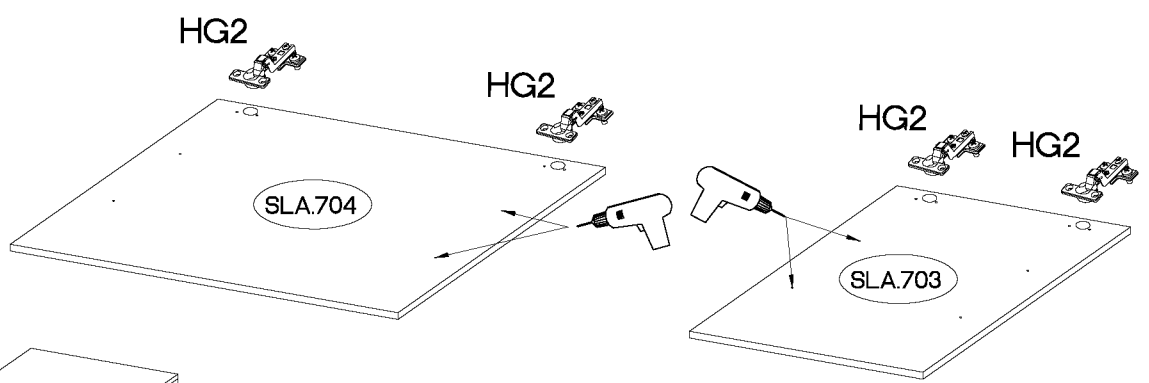
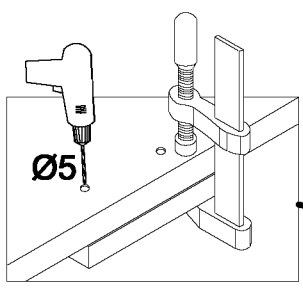
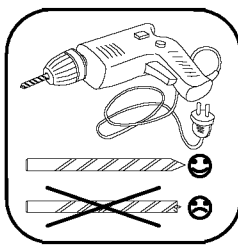
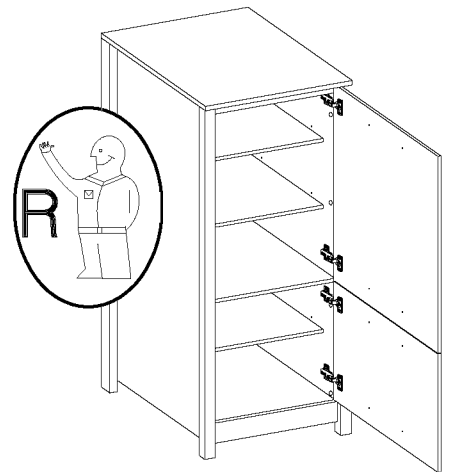
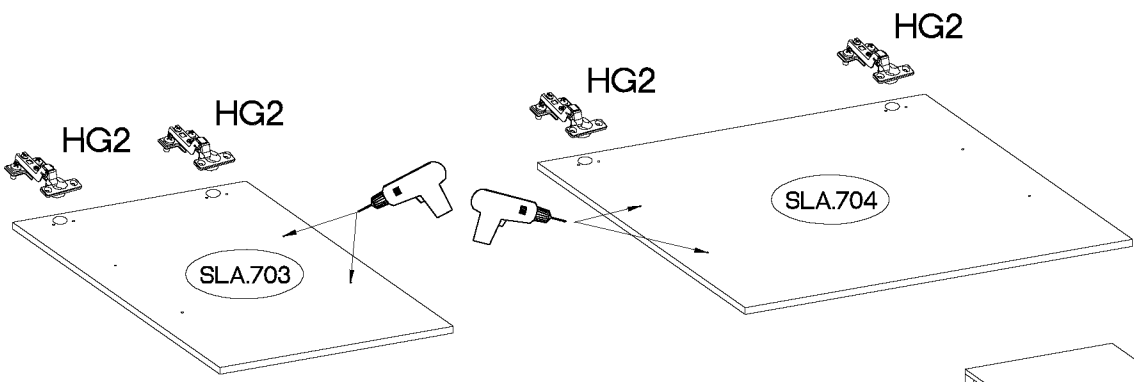
- 
- 
- 
- 
- 





+5/16mm		
	J3	E
12		18



+35/16mm +3.5x13mm	
[CD]	
HG2	P5
4	8



M4x22mm	L=160mm
	
U	S
4	2

