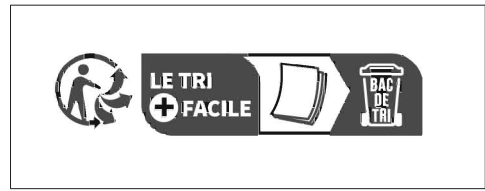
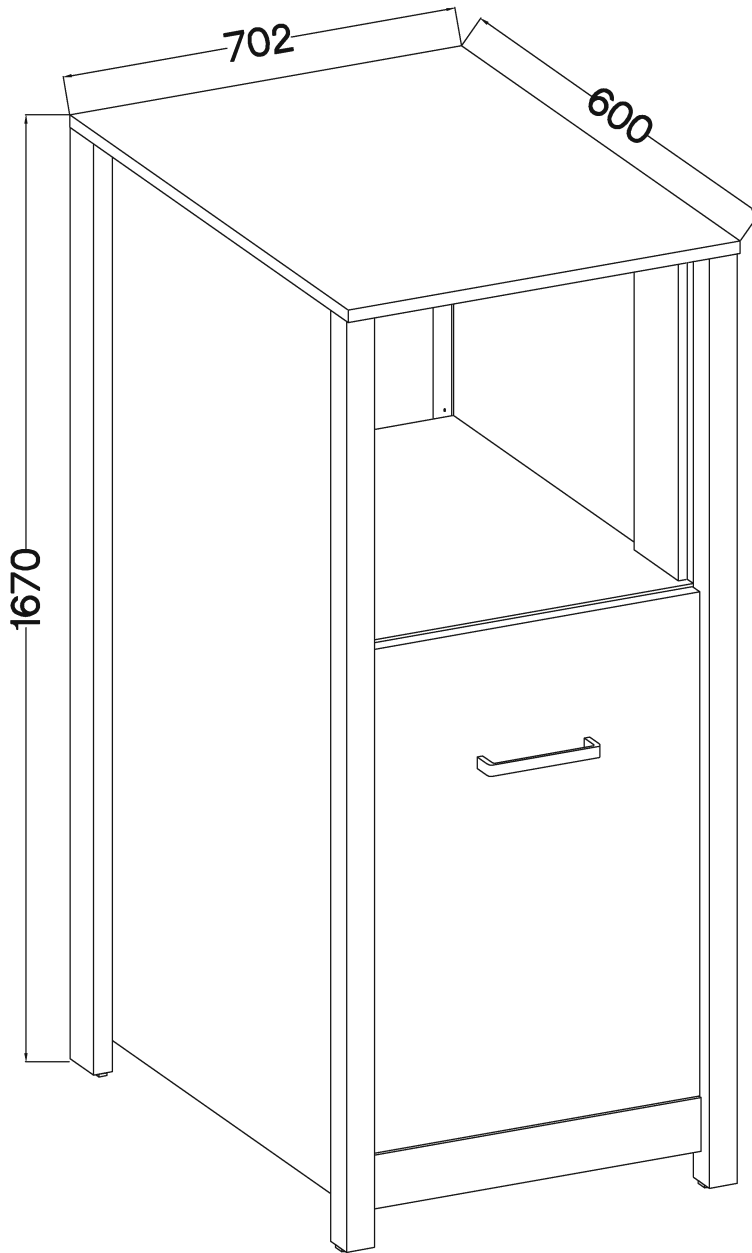
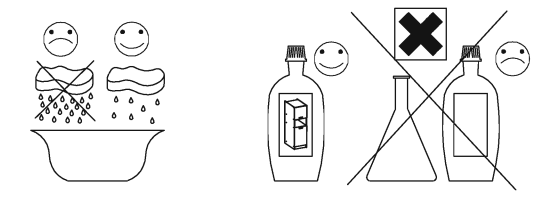
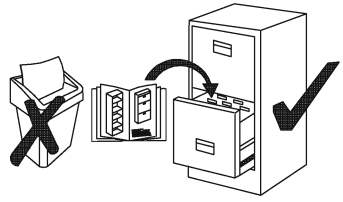
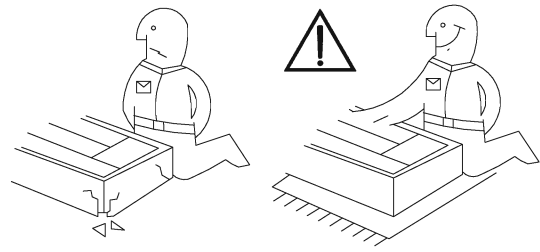
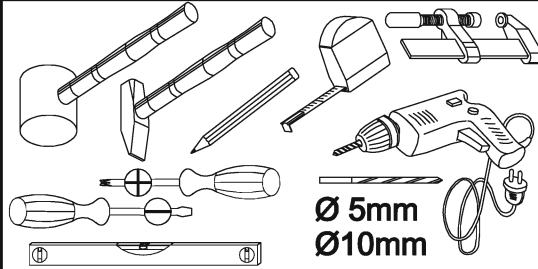
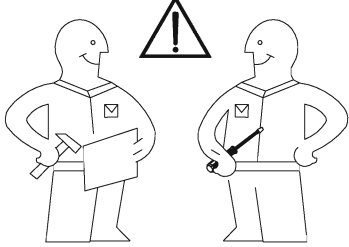


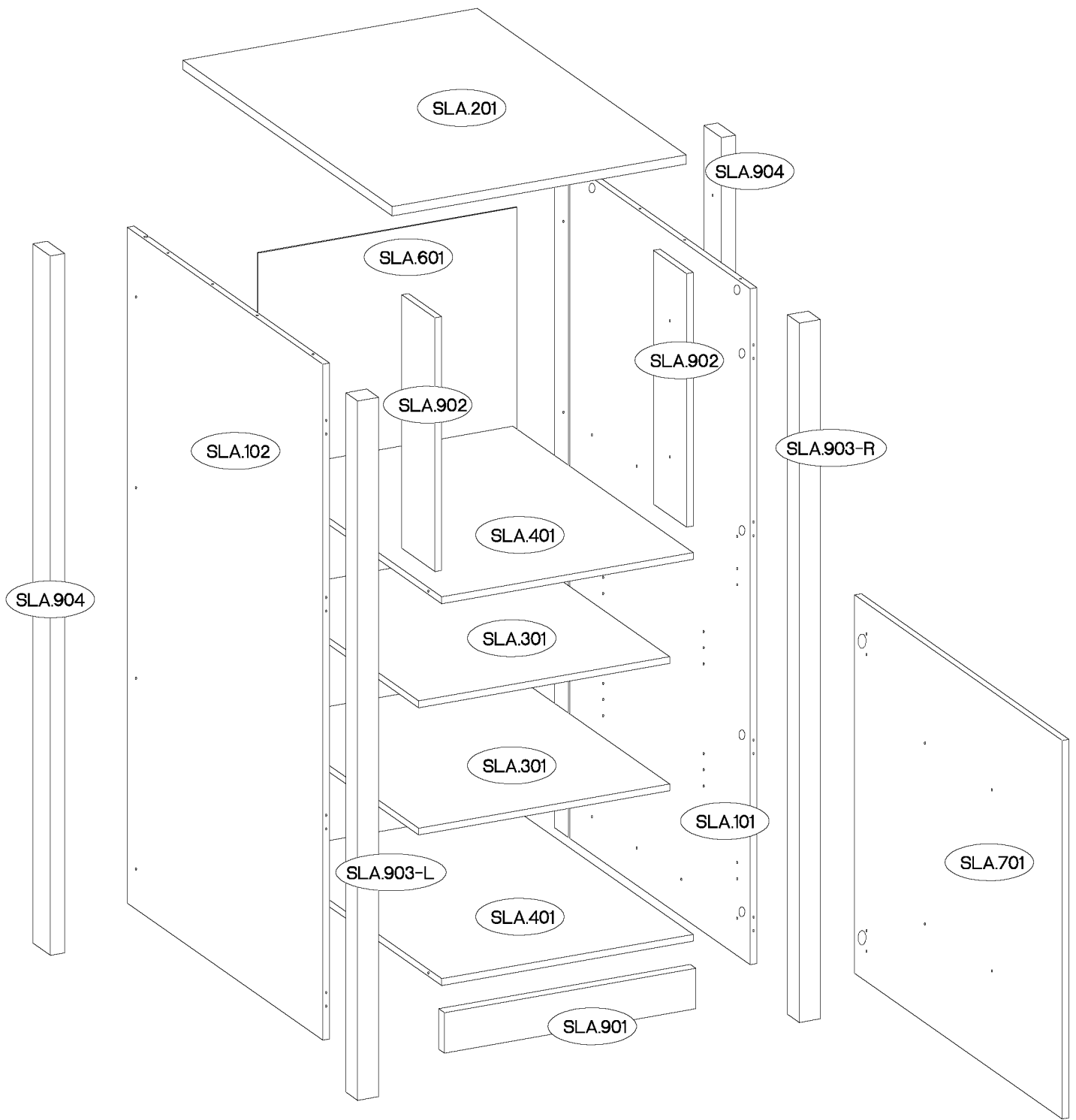
Jméno:

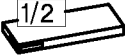

Model:

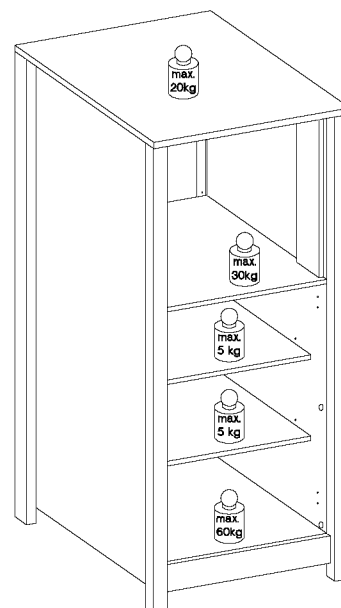


$\dagger 8 \times 30 \text{mm}$ A	$6,4 \times 35 \text{mm}$ B1	$\dagger 15 / 12 \text{mm}$ C	L=20mm D2		L=28 mm F37	$\dagger 35 / 16 \text{mm}$ [CD] HG2	$\dagger 5 / 16 \text{mm}$ J3	$\dagger 8 / 11 \text{mm}$ J41		
20	8	20	20	10	4	2	8	4	6	1
120x30x15mm L25	$\dagger 10 \times 50 \text{mm}$ O7	$\dagger 4.0 \times 16 \text{mm}$ P1	$\dagger 3.5 \times 13 \text{mm}$ P5	$\dagger 3.0 \times 20 \text{mm}$ P7	$\dagger 5.0 \times 60 \text{mm}$ P12	$\dagger 4.0 \times 25 \text{mm}$ R	L=160mm S		M4x22mm U	
2	2	12	8	10	2	4	1	6	2	

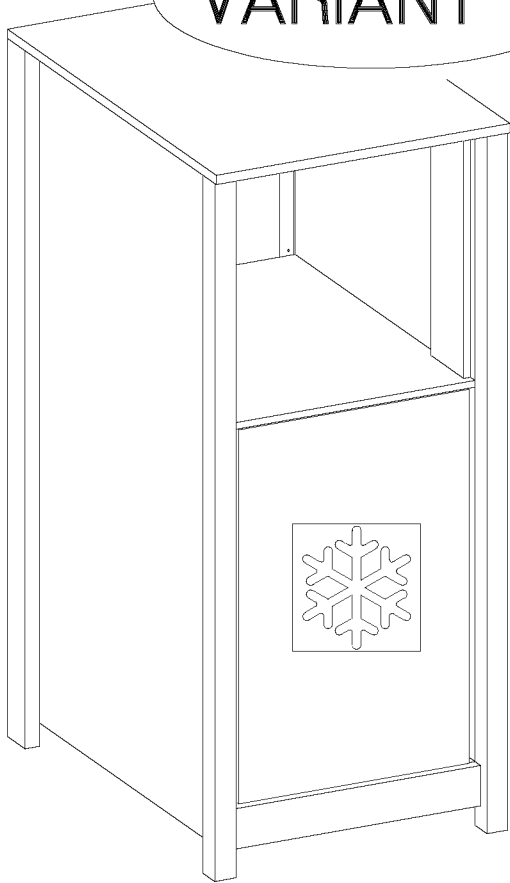
ISM-SLA-001



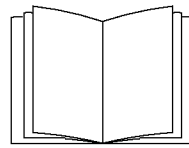
	číslo dielu / číslo dielu	Rozměry/Rozmery
	SLA.201	702x600x22
	SLA.401 x2	600x517x16
	SLA.301 x2	599x450x16
	SLA.901	600x95x16
	SLA.902 x2	596x120x16
	SLA.601	912x618x2,5
	SLA.701	889x596x16
	SLA.101	1588x561x16
	SLA.102	1588x561x16
	SLA.903-R	1643x50x34
	SLA.903-L	1643x50x34
	SLA.904 x2	1643x50x34



VARIANT 1



Chladni ka

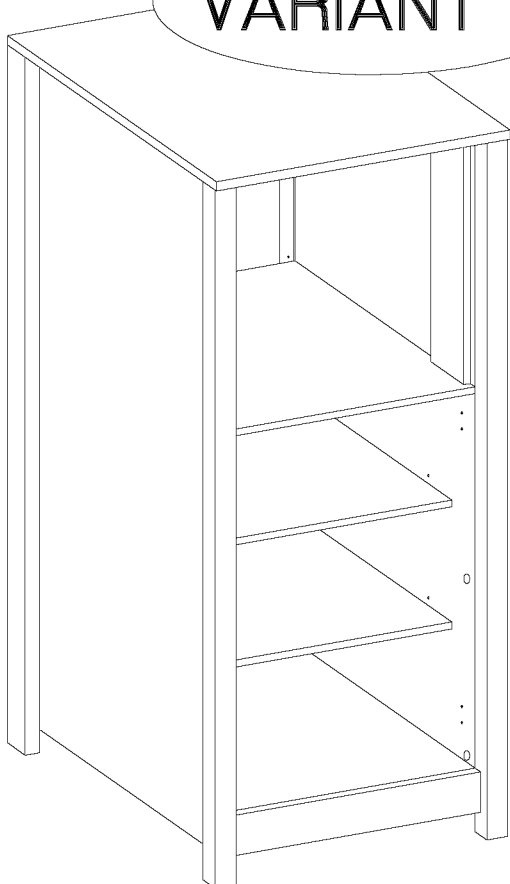


1

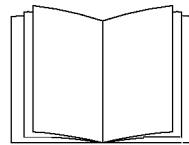
—

11

VARIANT 2



Úložný prostor / Úložný priestor



1


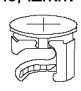
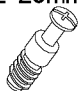

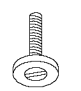

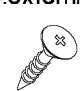
—

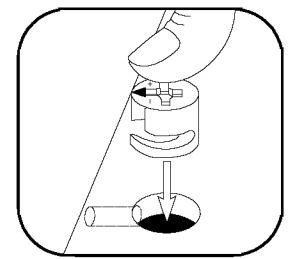
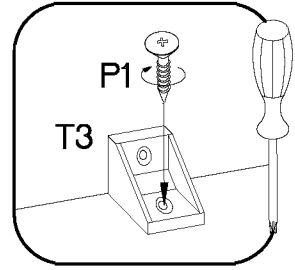
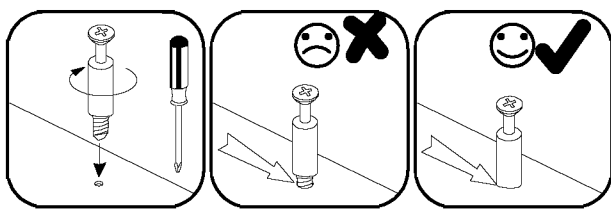
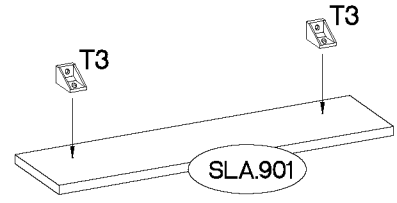
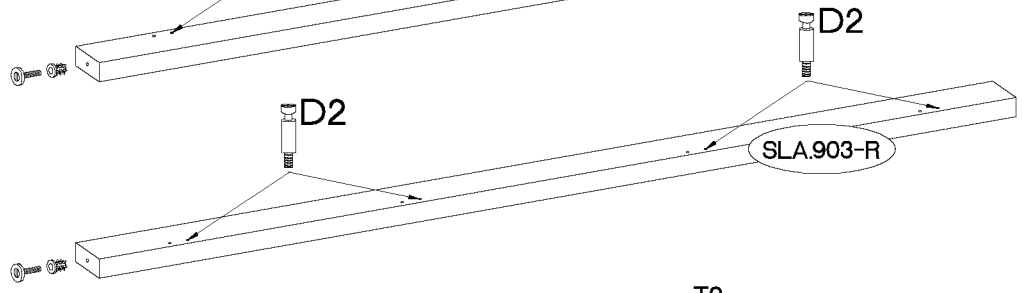
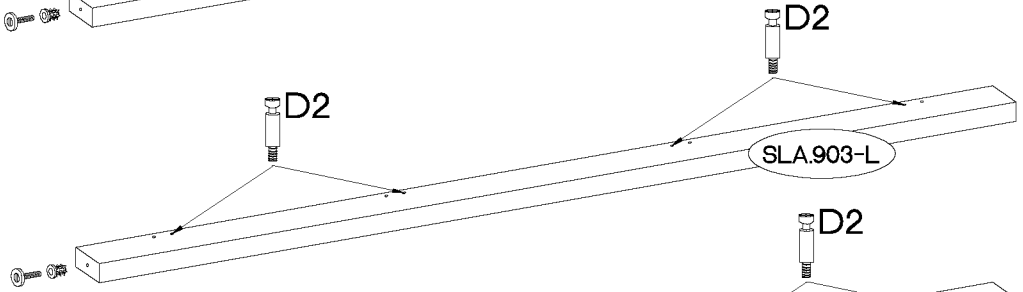
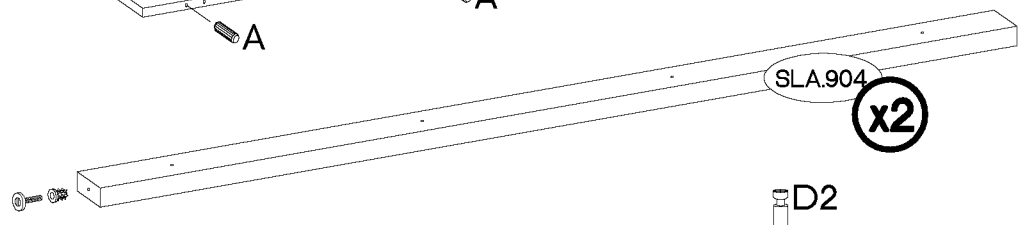
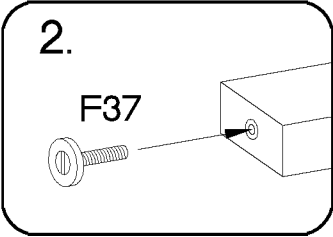
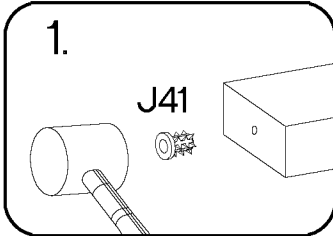
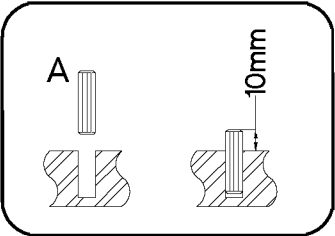
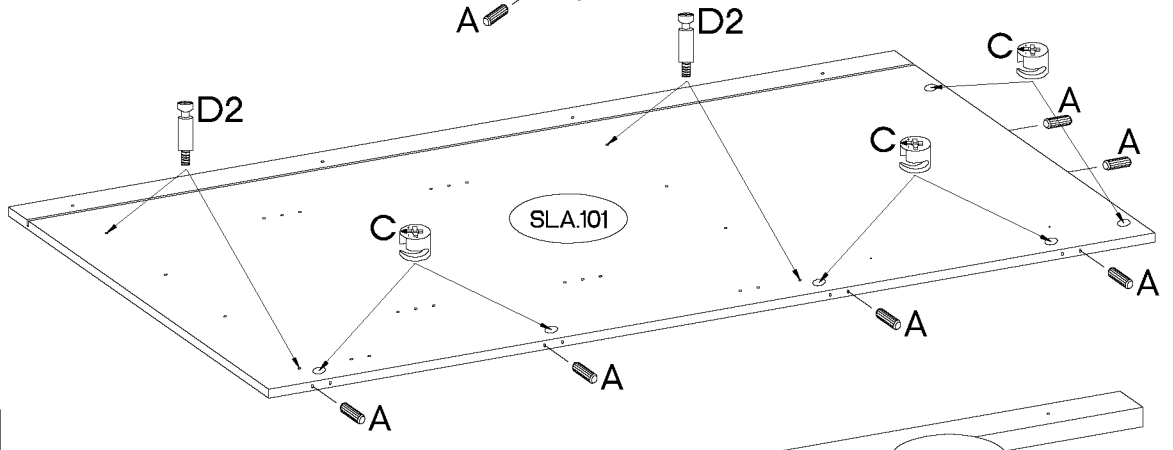
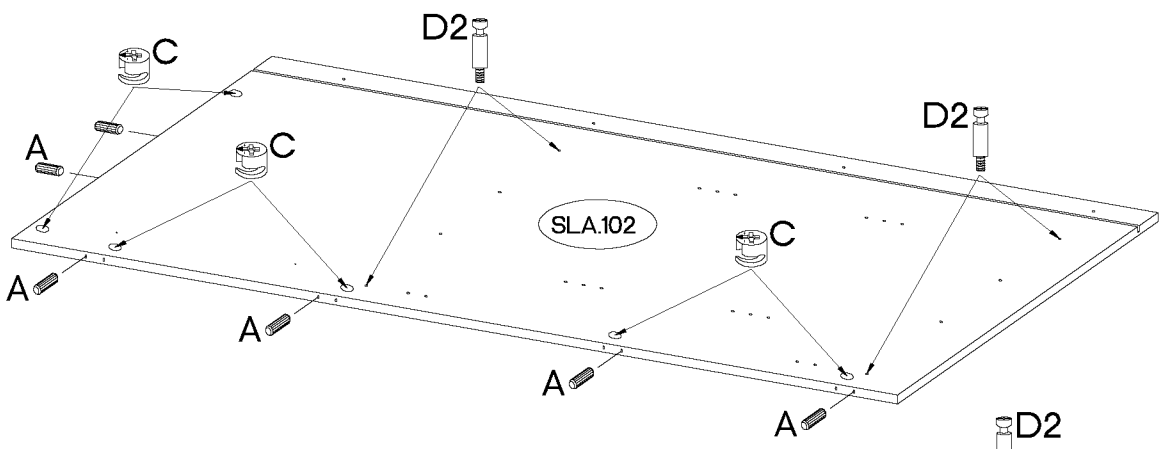
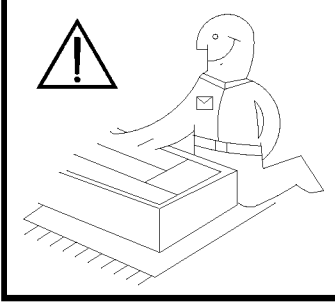
6

12

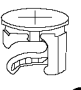
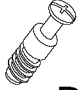
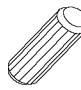
—

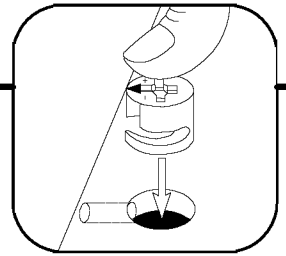
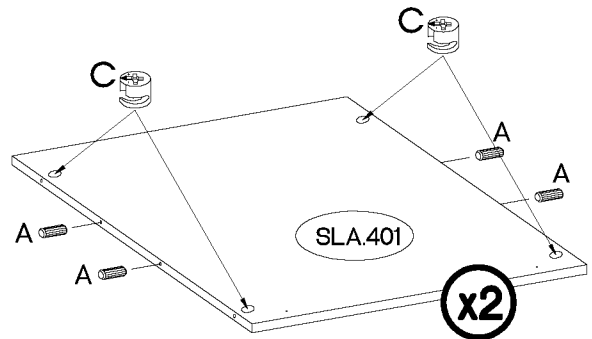
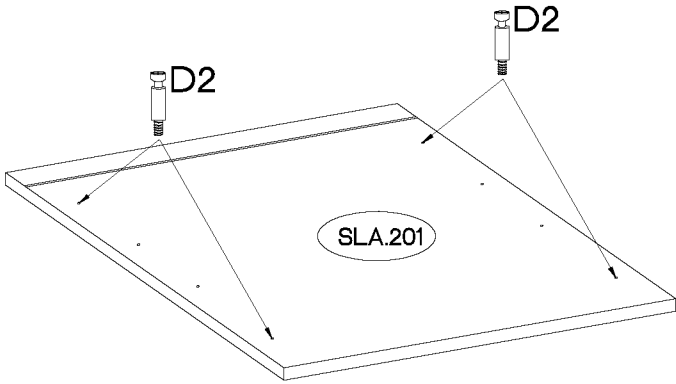
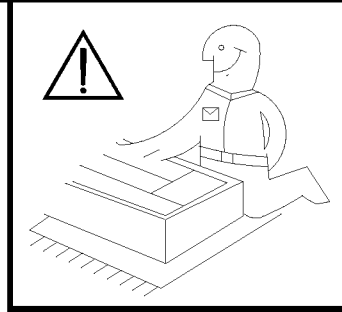
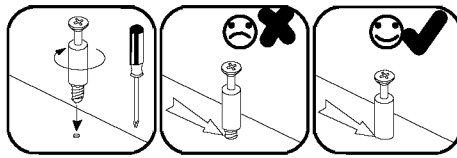
16

+8x30mm  A 12	+15/12mm  C 12	L=20mm  D2 16	+8/11mm  J41 4	L=28 mm  F37 4	 T3 2	+4.0x16mm  P1 2
--	---	--	---	---	---	---


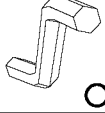


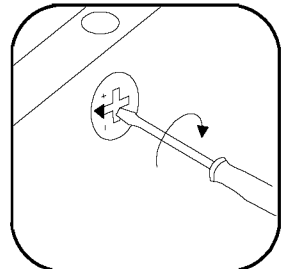
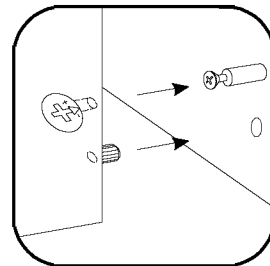
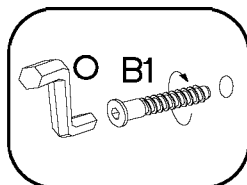
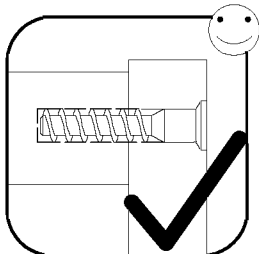
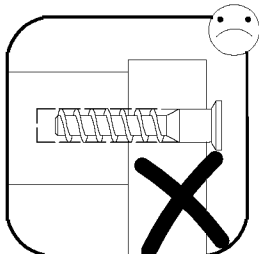
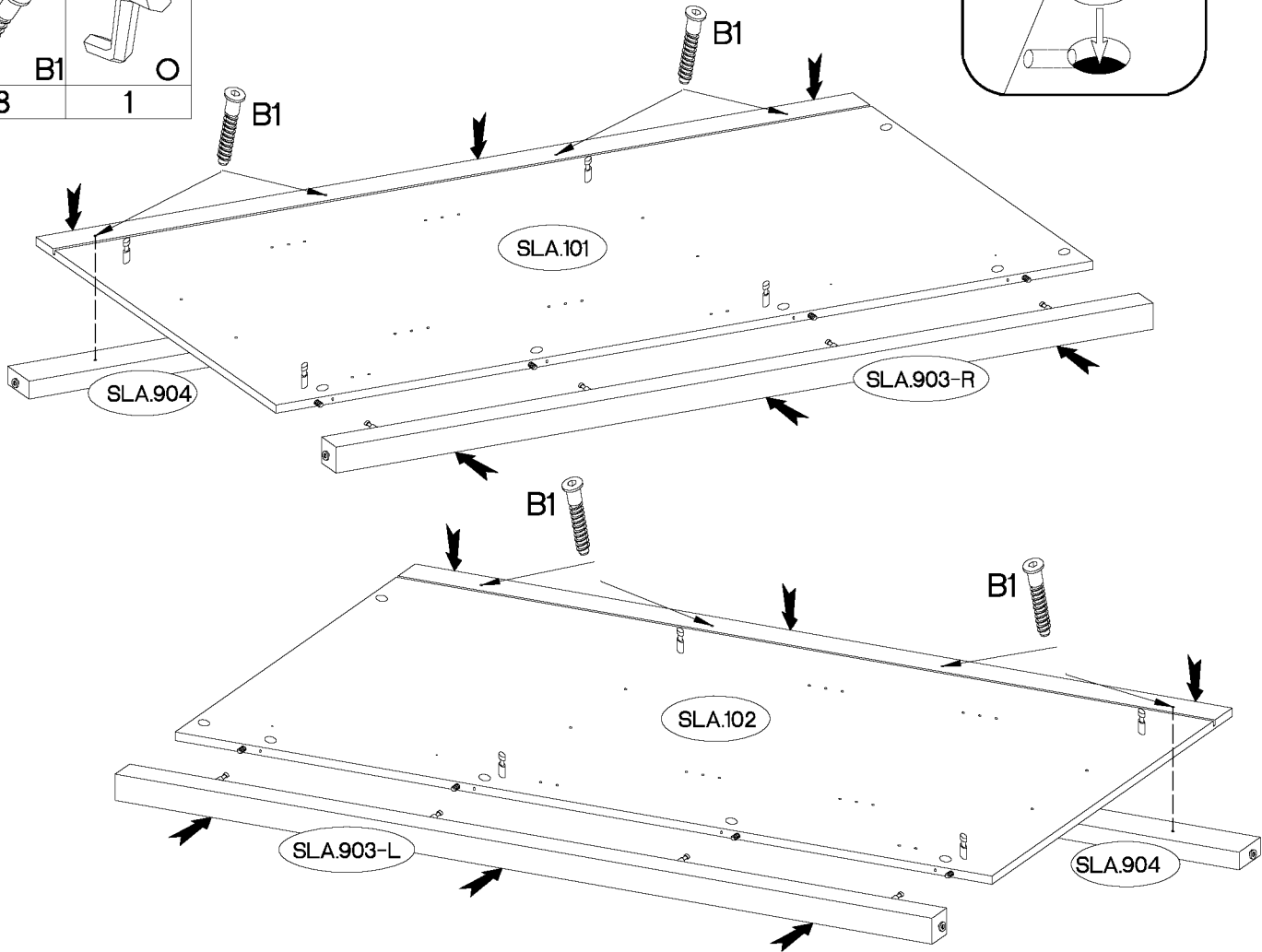
2

#15/12mm  C 8	L=20mm  D2 4	#8x30mm  A 8
--	---	---




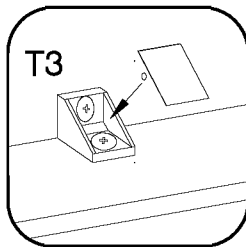
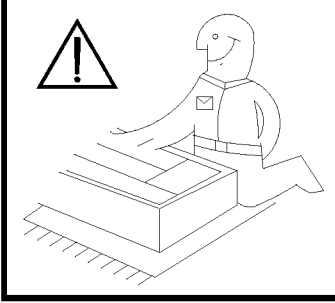
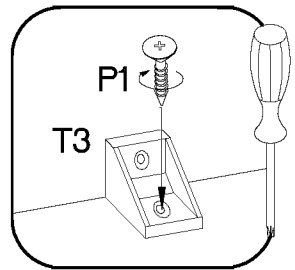
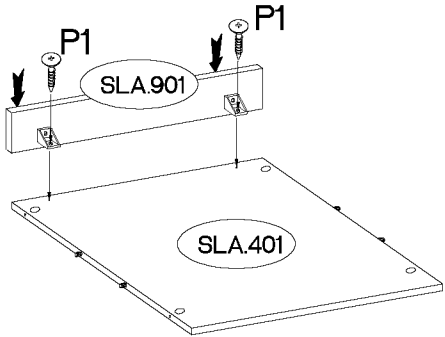
3

6,4 x 35mm  B1 8	 O 1
--	---

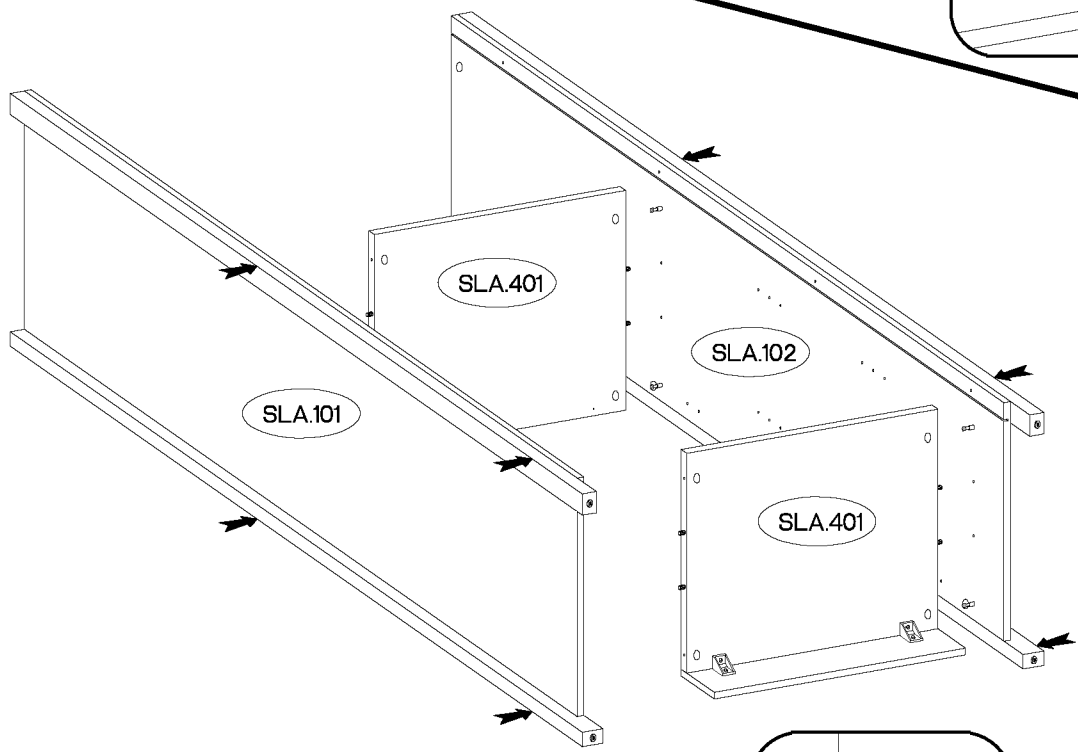


4

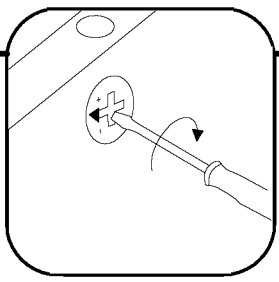
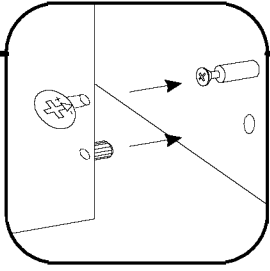
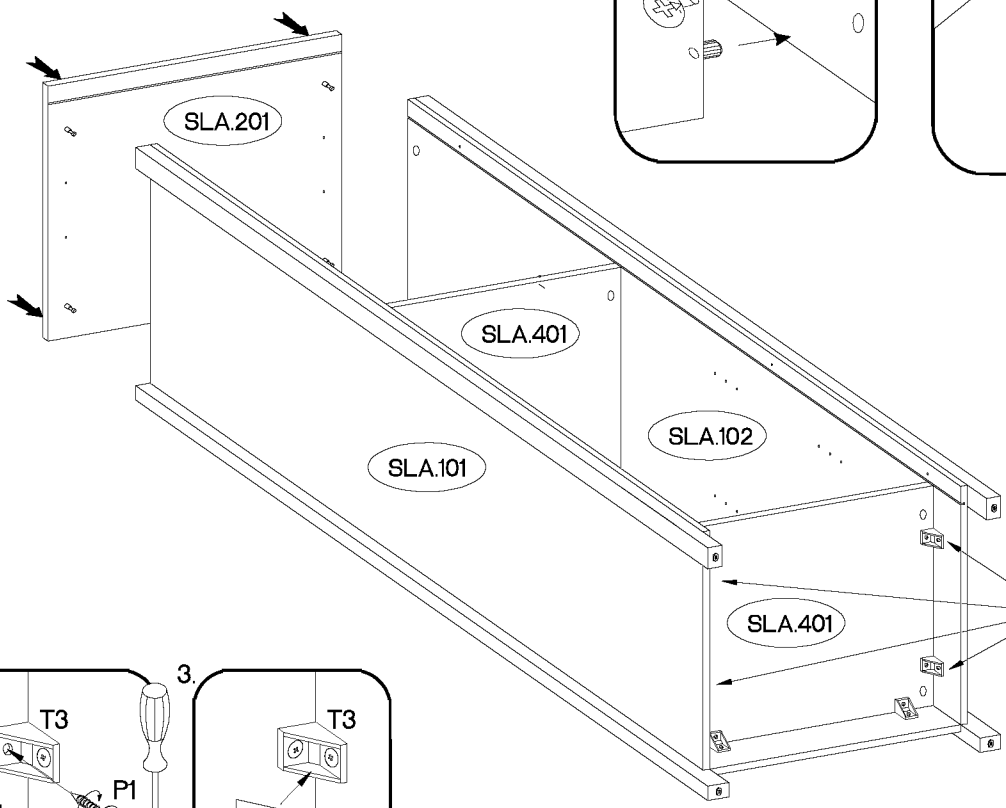
±4.0x16mm

P1
2

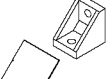



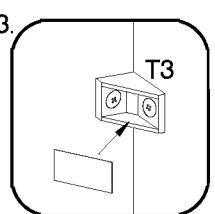
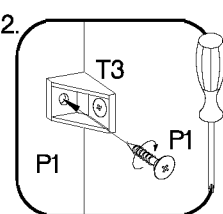
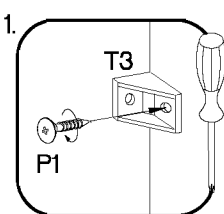
5



6



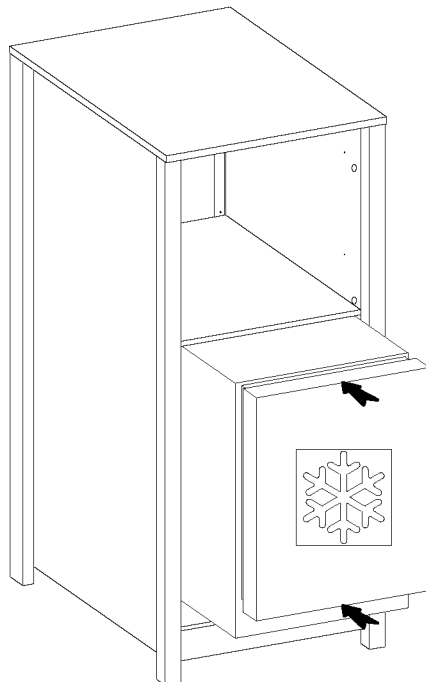
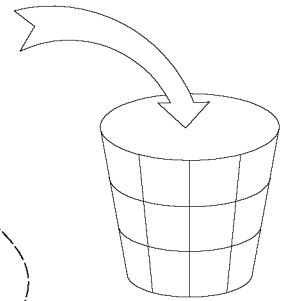
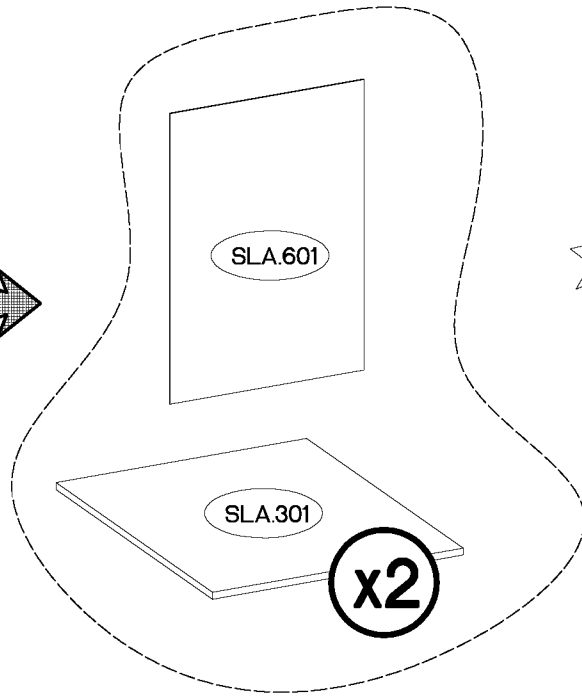
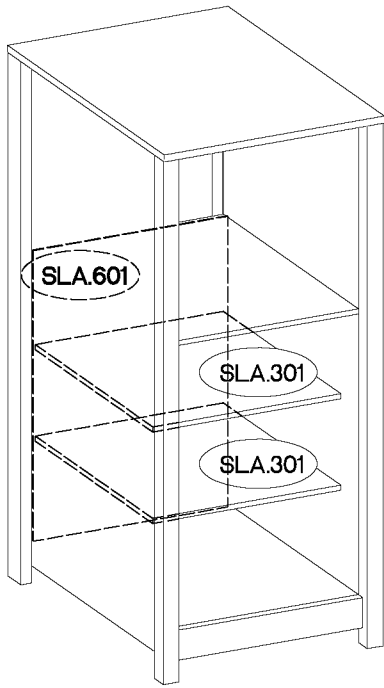
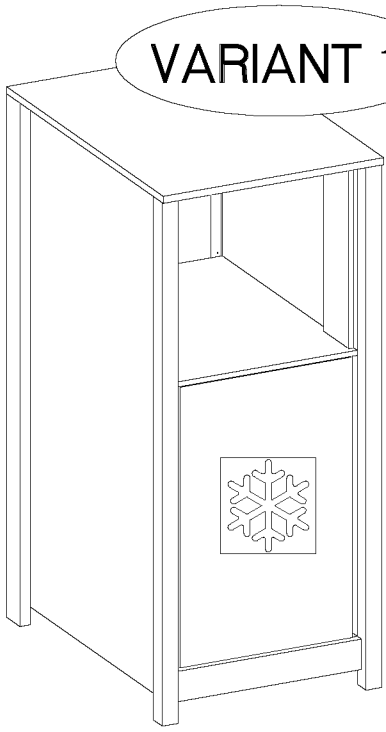
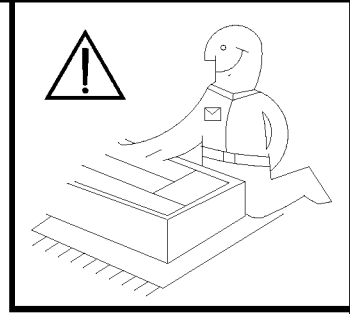
	±4.0x16mm
T3	
4	P1
	8



T3

VARIANT 1

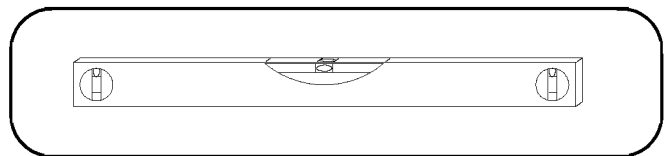
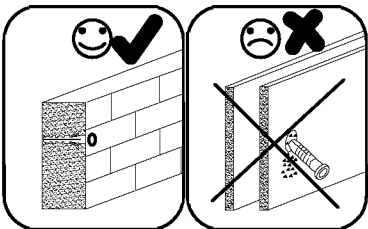
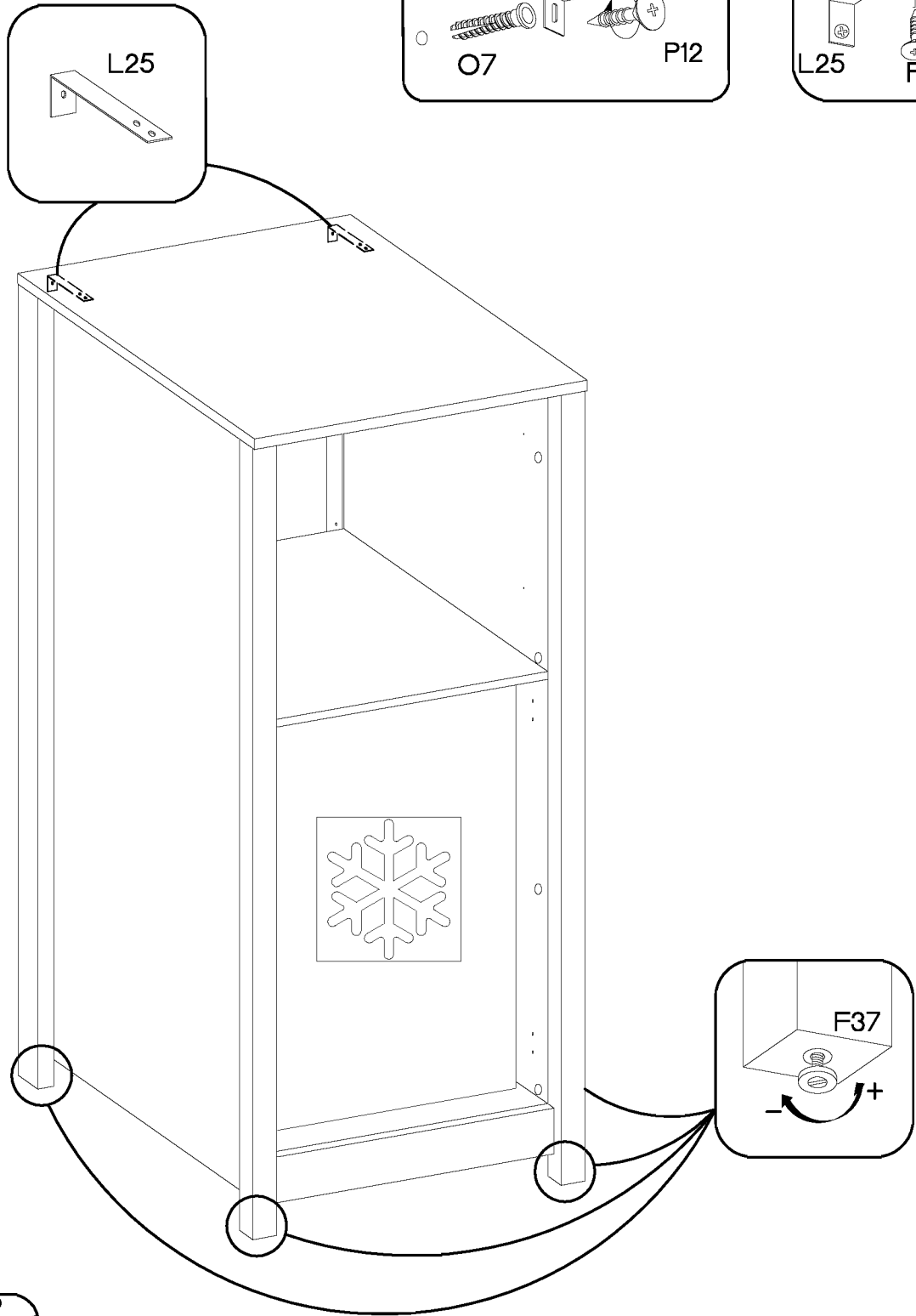
Chladni ka



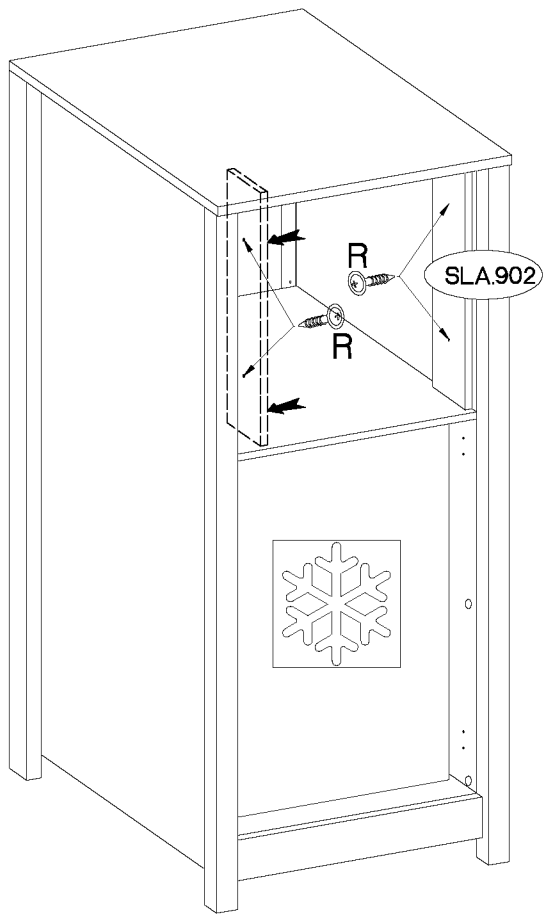
±5.0x60mm P12 2	120x30x15mm L25 2
±3.5x13mm P5 4	±10x50mm O7 2



- 1.
- 2.
- 3.

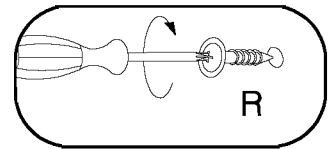
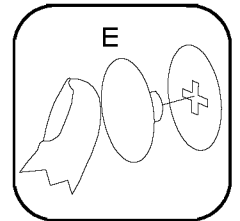
- 4.
- 5.





9

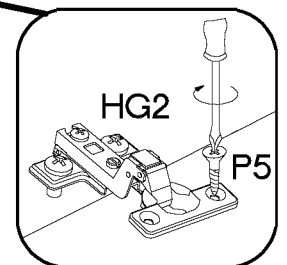
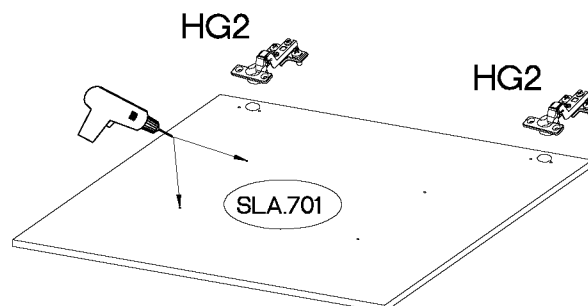
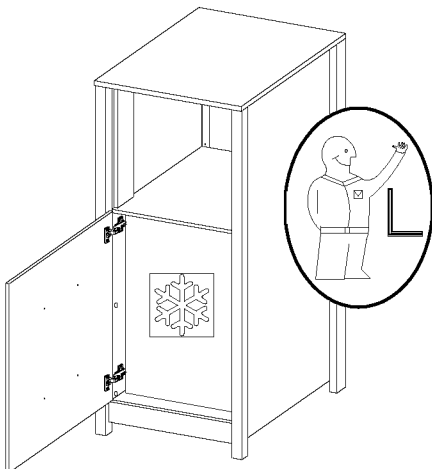
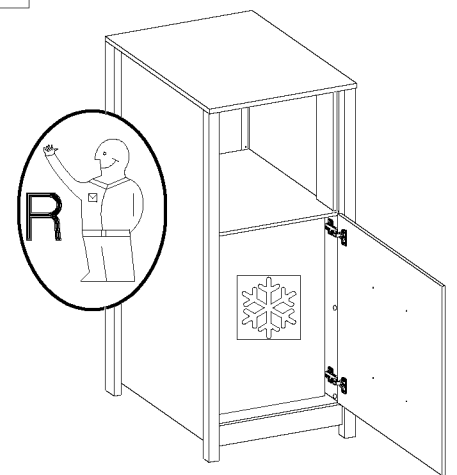
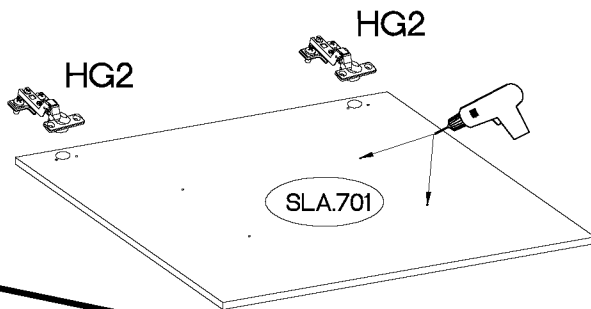
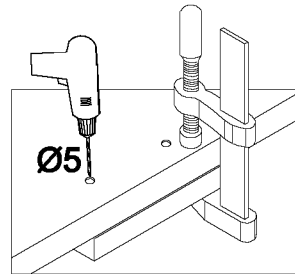
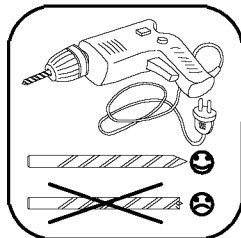




+4.0x25mm	
	
R	E
4	6

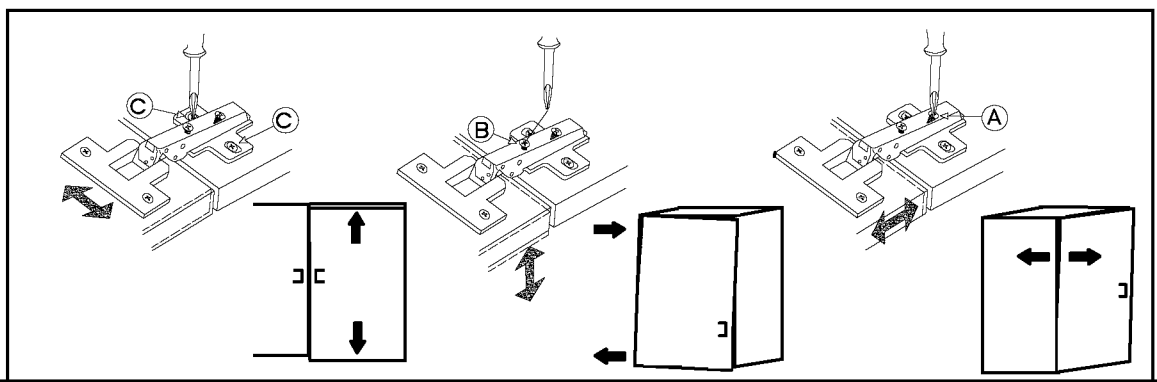
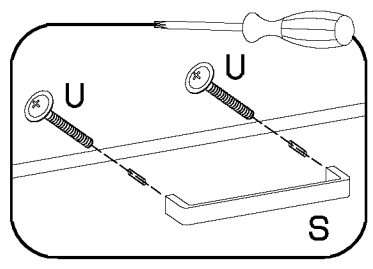
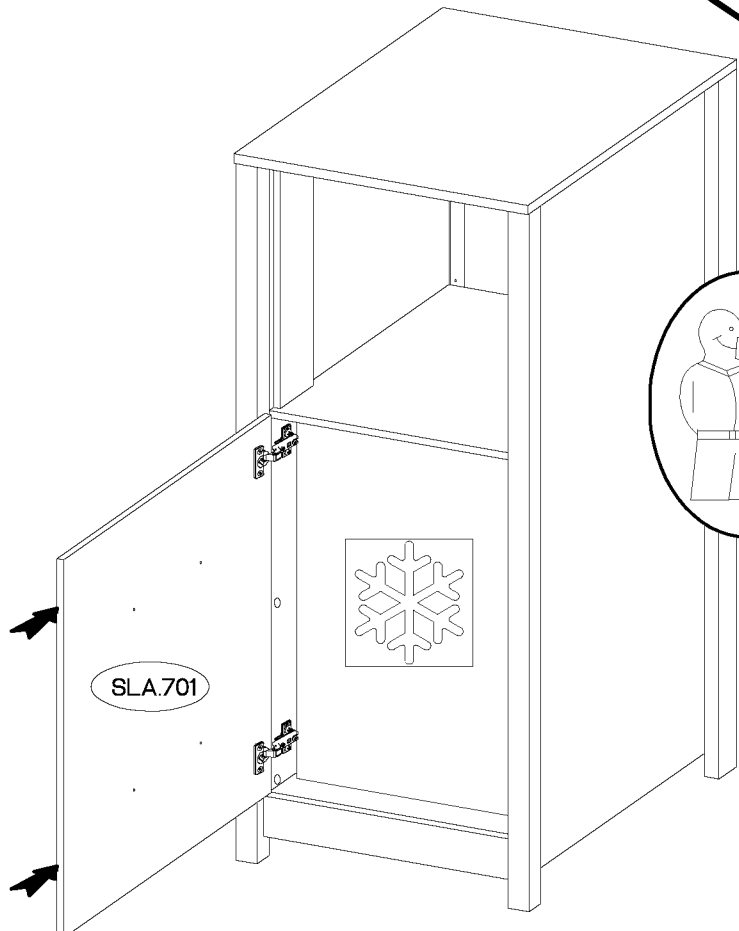
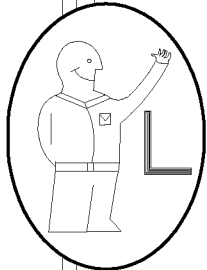
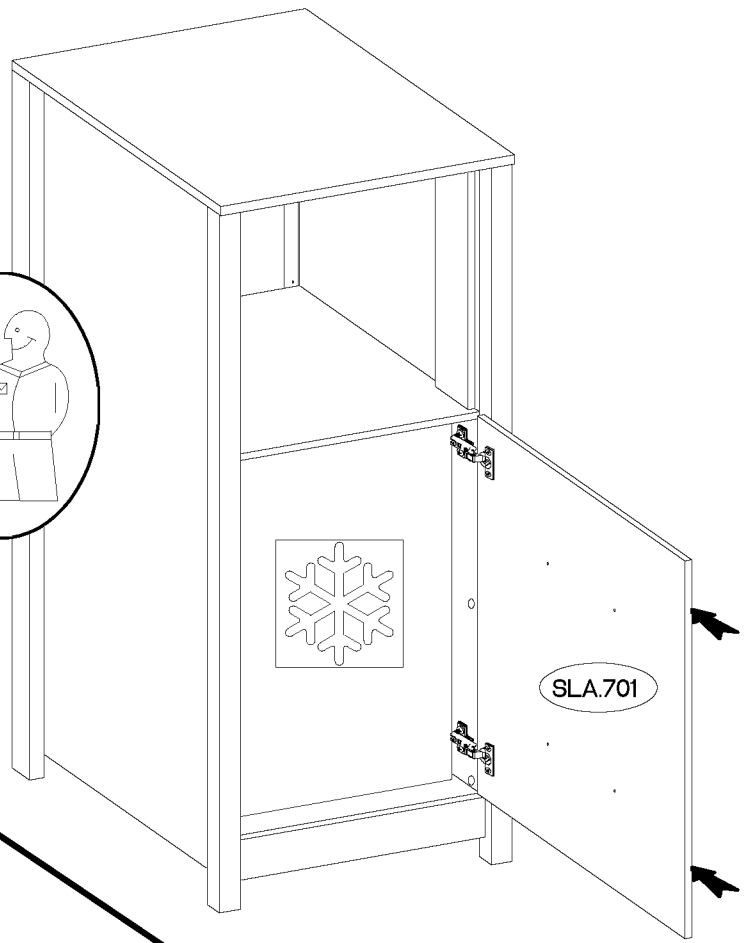
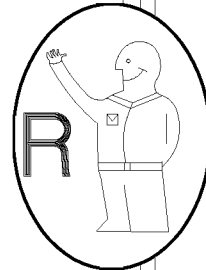


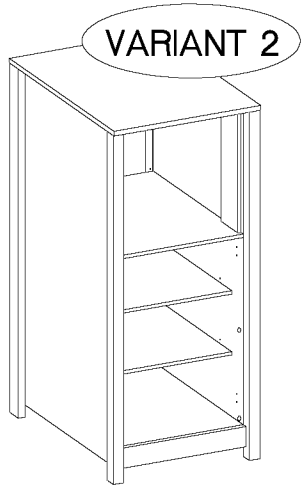
10

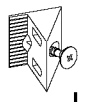
+35/16mm	+3.5x13mm
	
[CD] HG2	P5
2	4

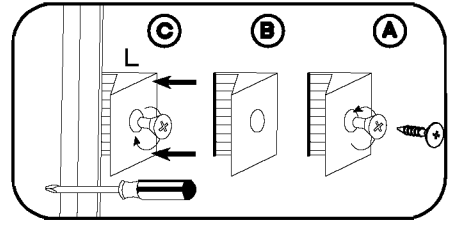
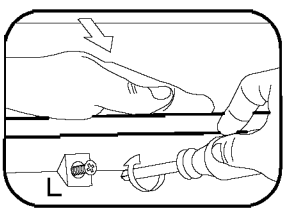
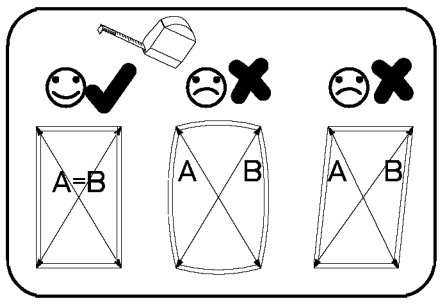
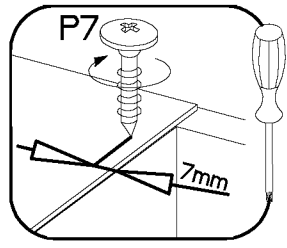
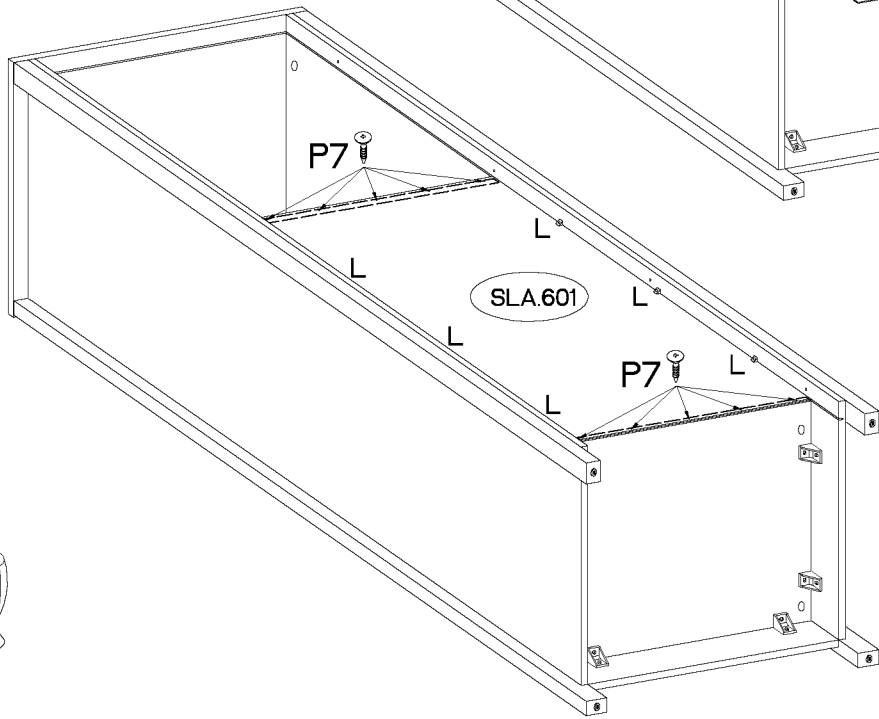
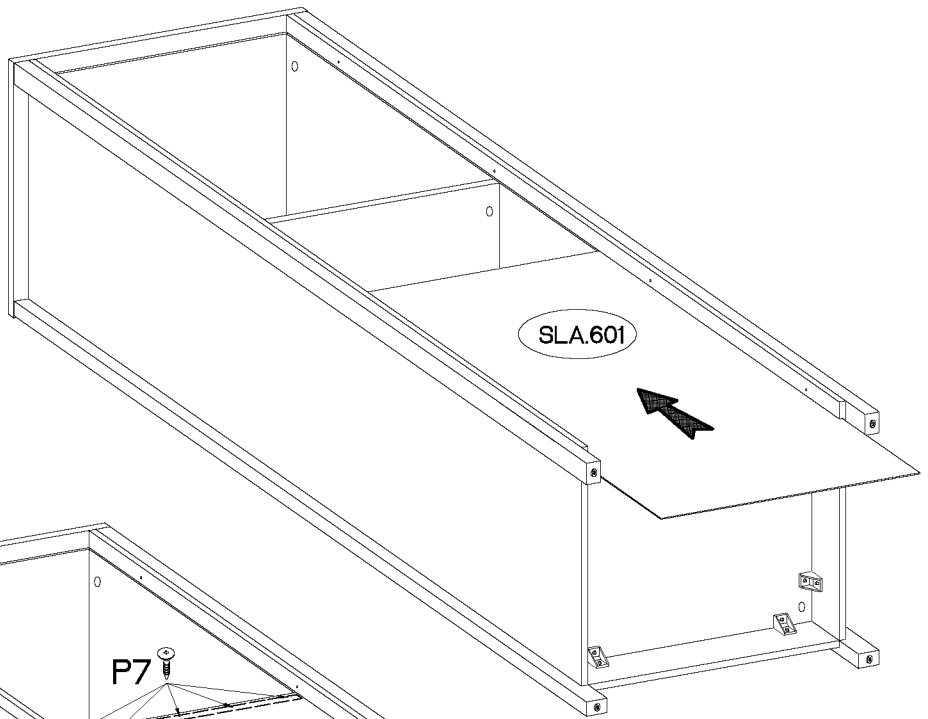
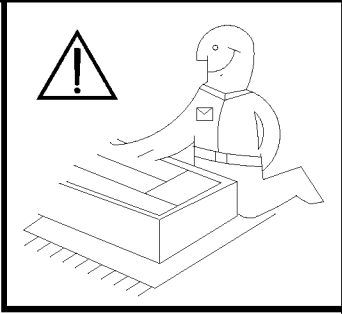


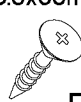
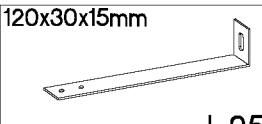


M4x22mm	L=160mm
	
U	S
2	1

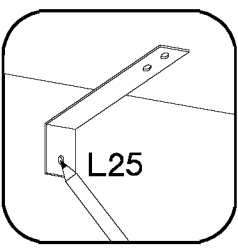
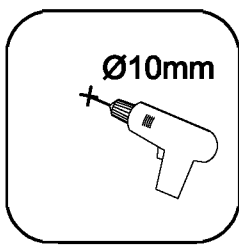
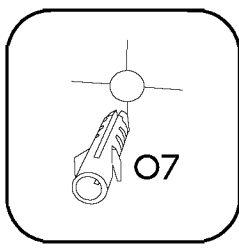
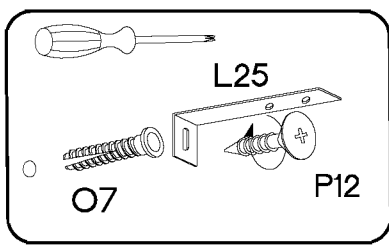
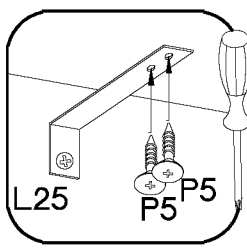


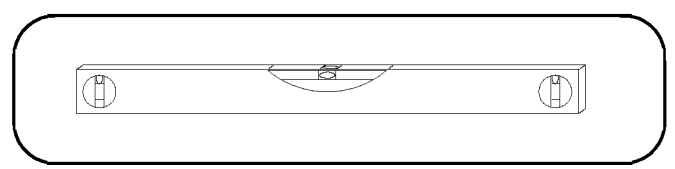
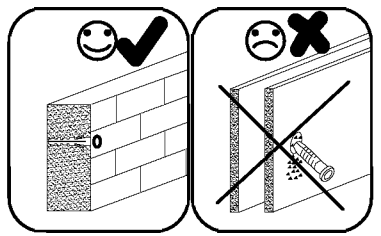
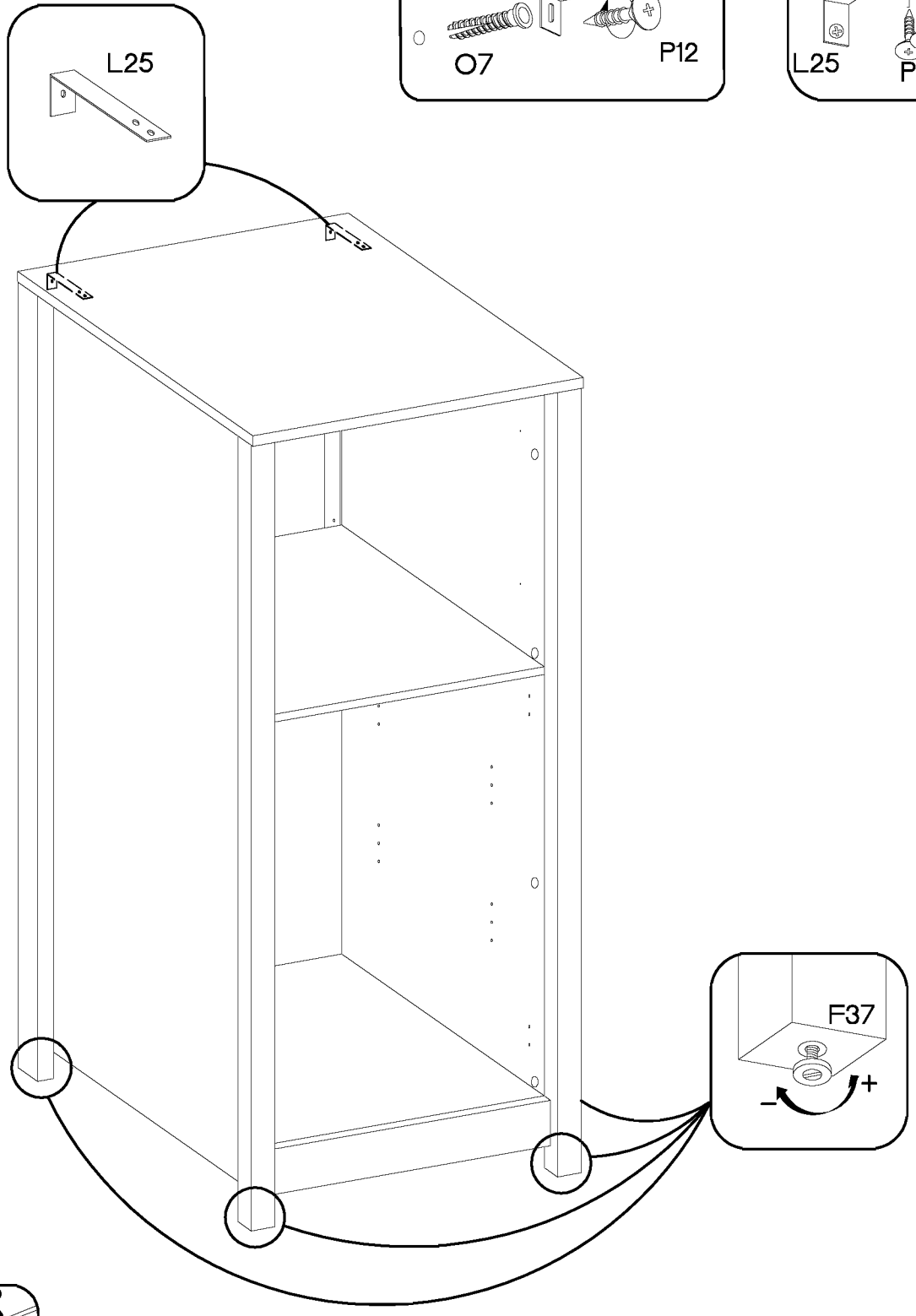


	+3.0x20mm
L	P7
6	10

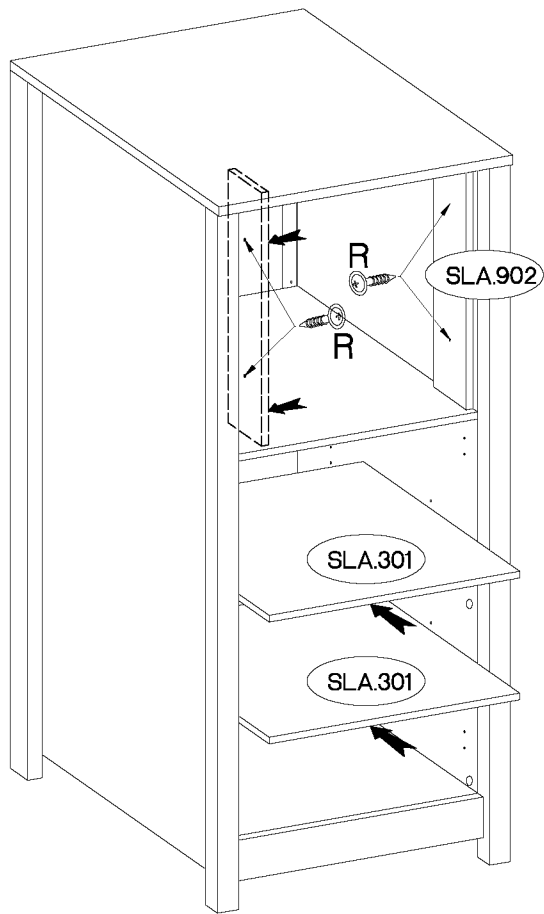



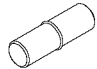

 #5.0x60mm P12 2	 120x30x15mm L25 2
 #3.5x13mm P5 4	 #10x50mm O7 2

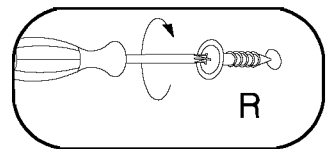
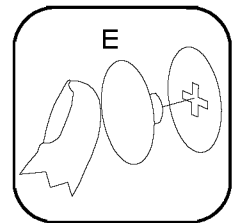
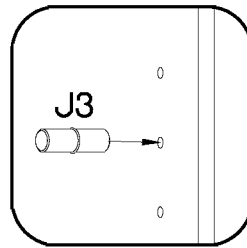
- 
- 
- 
- 
- 





14

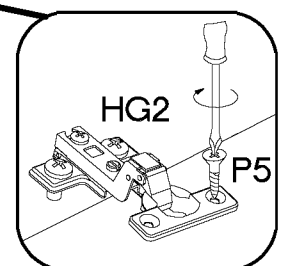
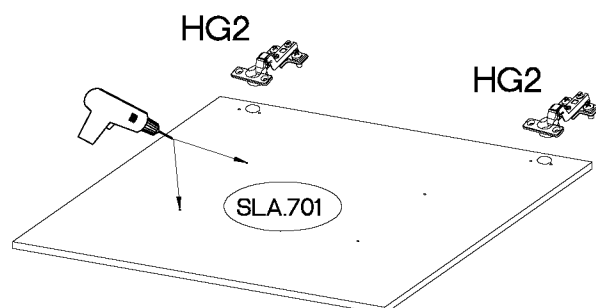
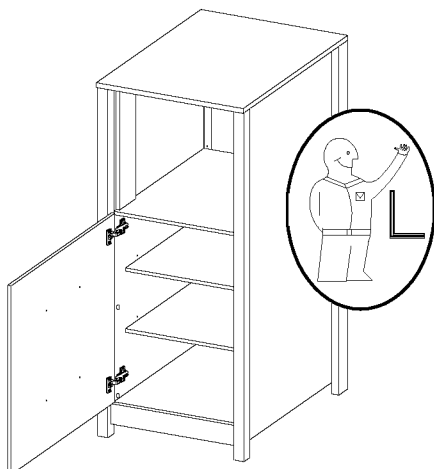
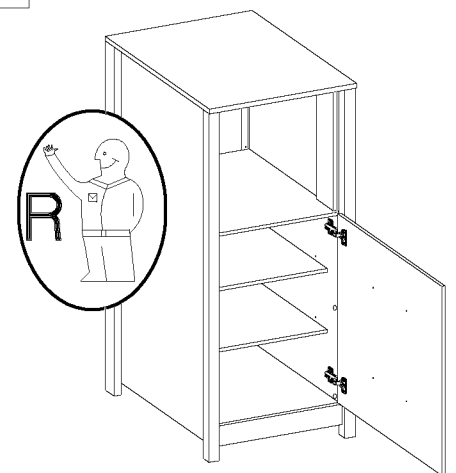
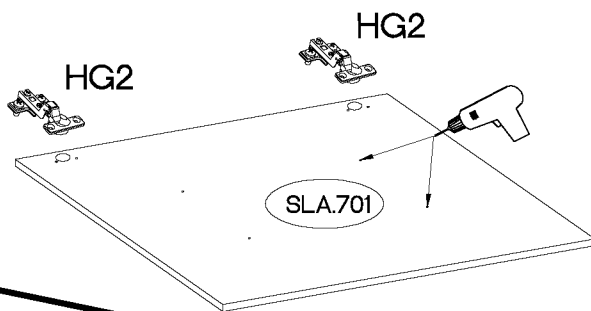
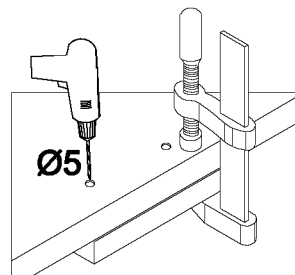
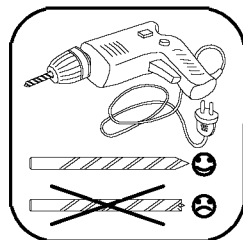




+4.0x25mm  R 4	+5/16mm  J3 8	 E 10
--	---	--



15

+35/16mm  [CD] HG2 2	+3.5x13mm  P5 4
--	---



M4x22mm	L=160mm
	
U	S
2	1

