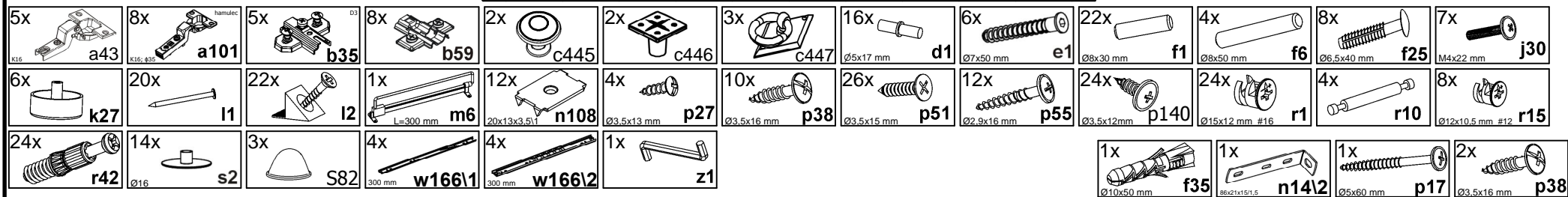
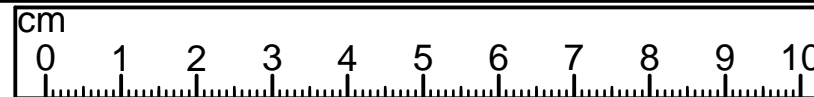
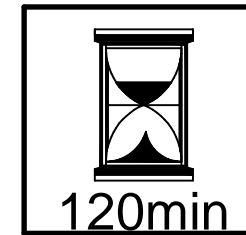
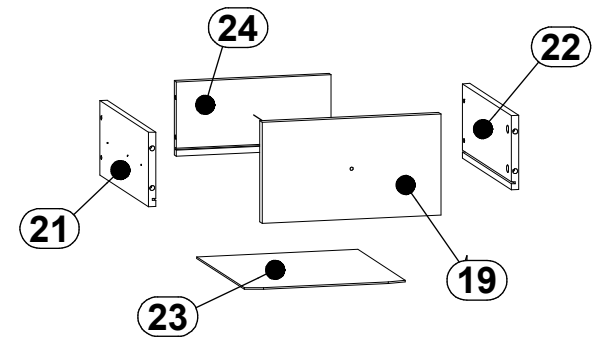
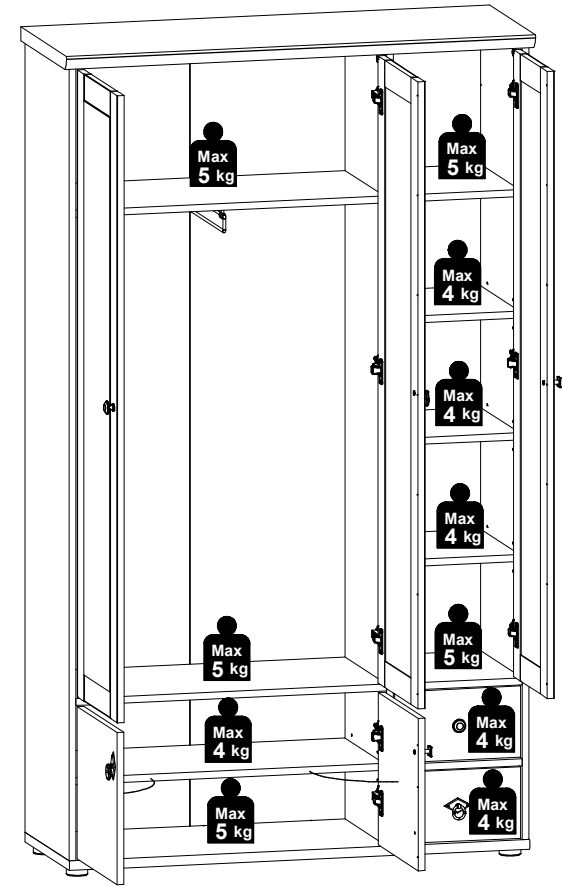
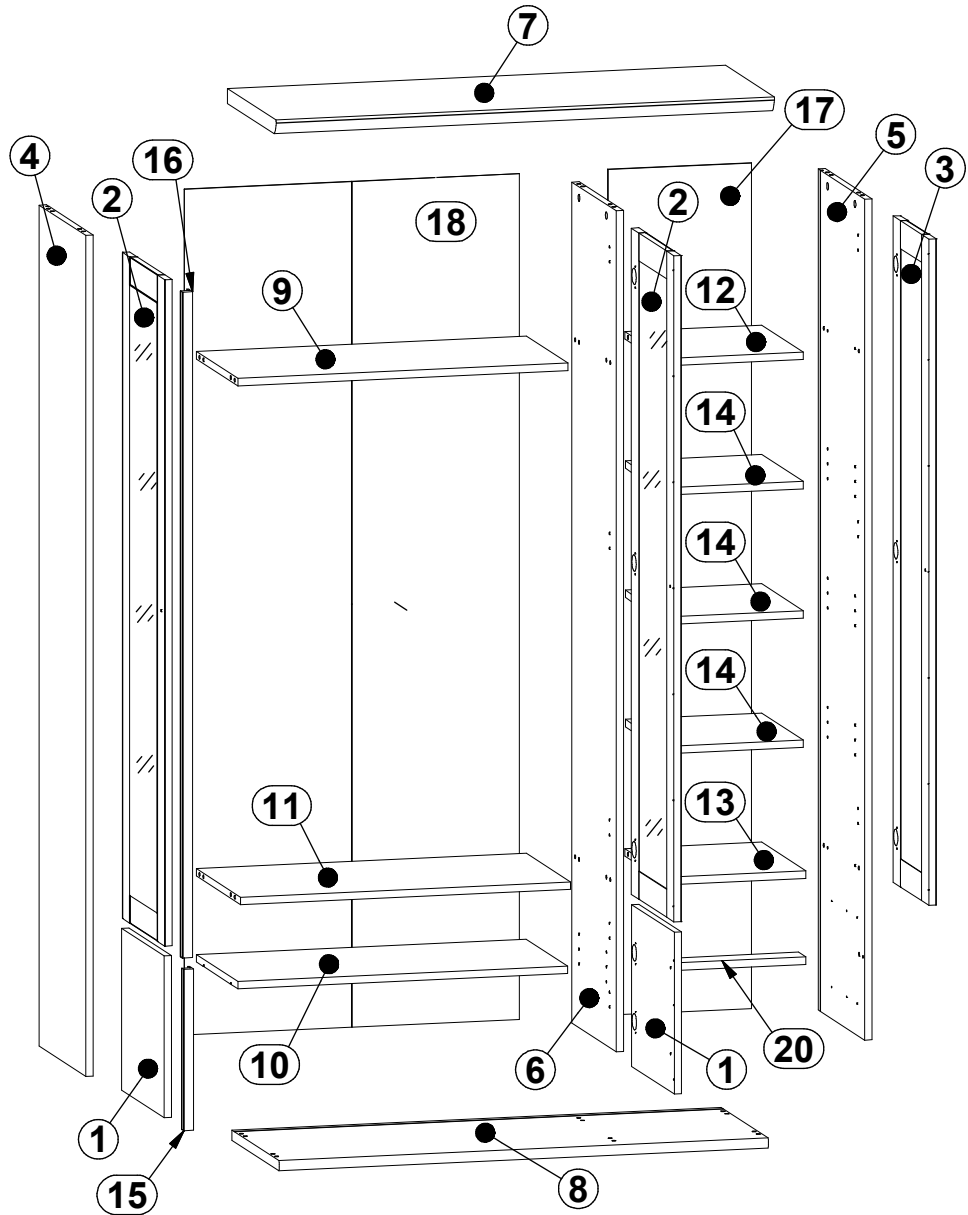
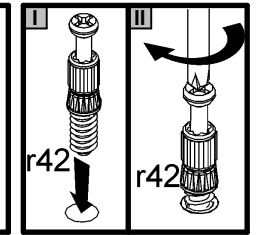
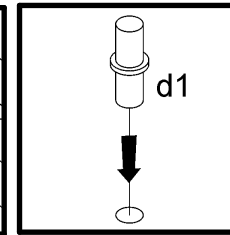
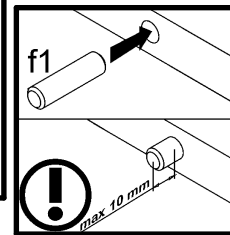
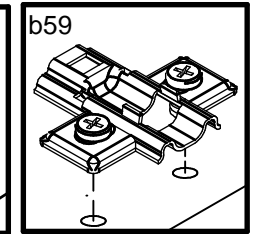
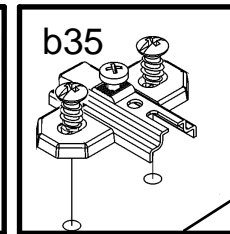
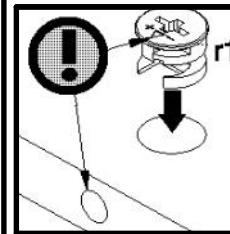
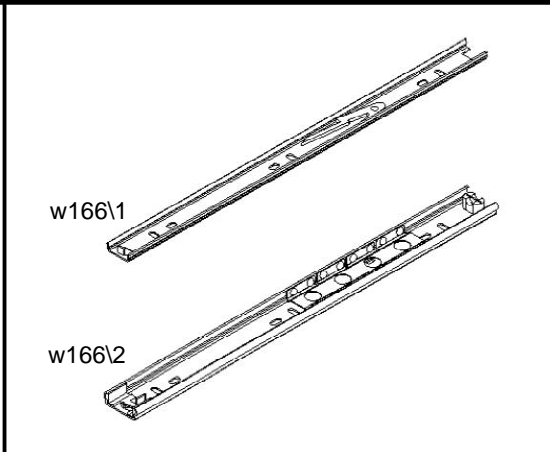
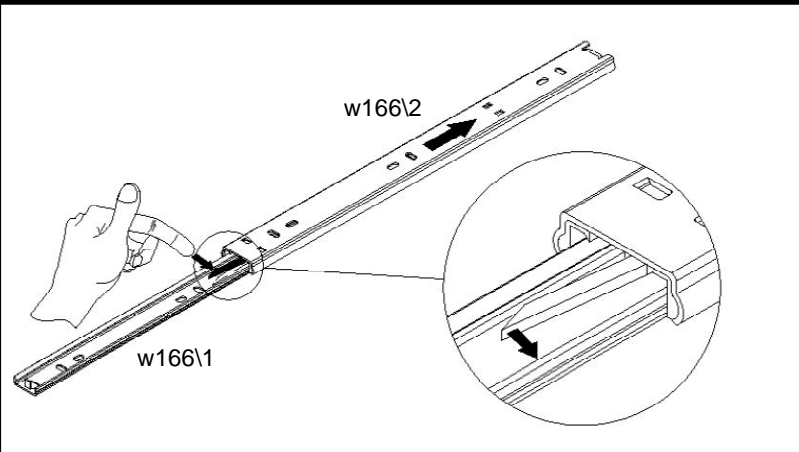


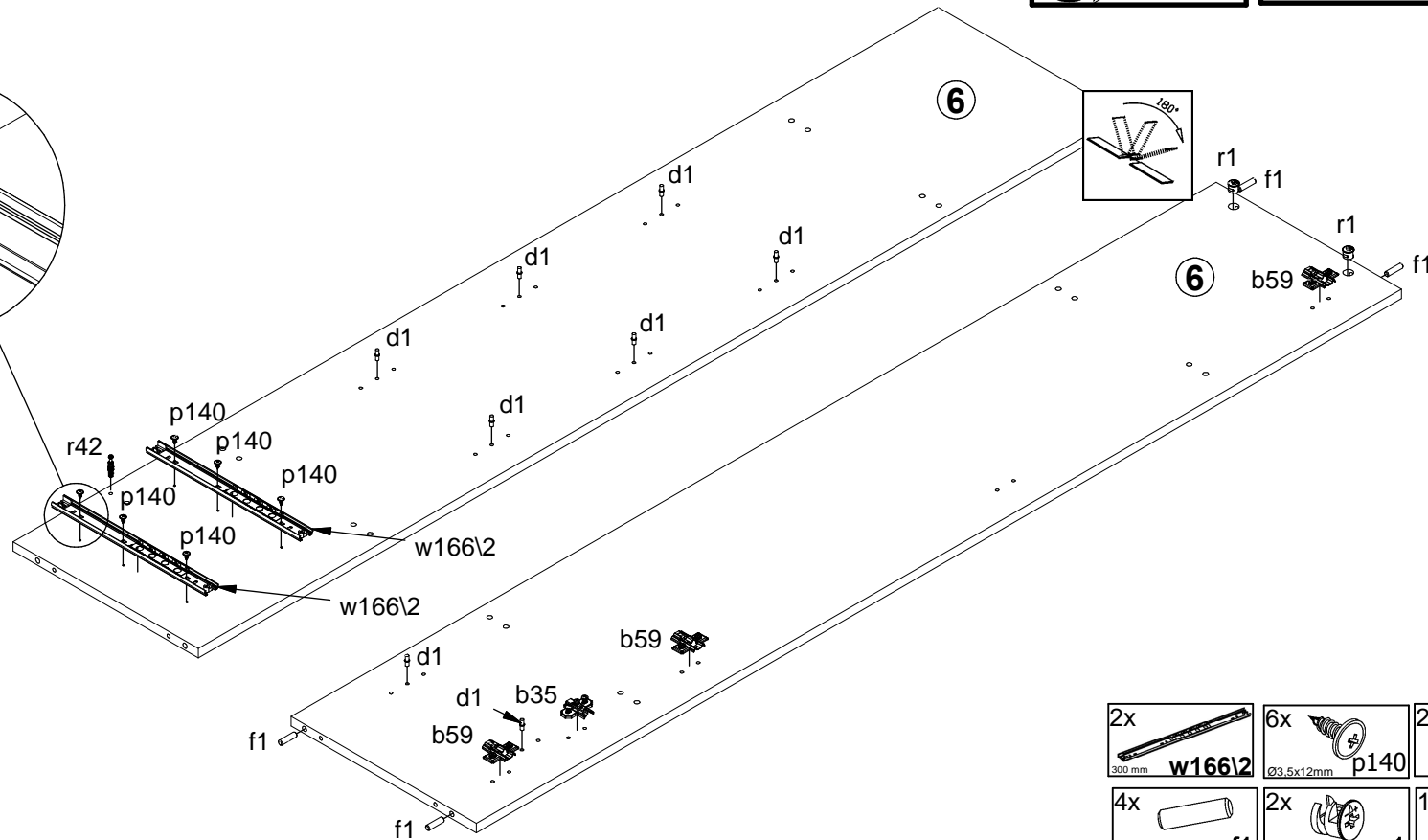
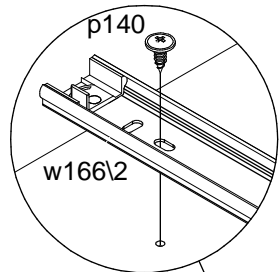
A	B	C (mm)		D
1	M196-0001	348	348	3/3
2	M196-0002	1433	348	3/3
3	M196-0003	1433	294	3/3
4	M196-1003	1809	382	2/3
5	M196-1004	1809	382	2/3
6	M196-1005	1809	362	3/3
7	M196-2003	1093	400	1/3
8	M196-2004	1073	387	1/3
9	M196-3001	724	340	2/3
10	M196-3002	723	340	2/3
11	M196-3003	724	362	1/3
12	M196-3004	300	340	2/3
13	M196-3005	300	362	1/3
14	M196-3006	299	340	1/3
15	M196-5501	347	33	3/3
16	M196-5502	1432	33	3/3
17	M196-9001	1819	315	2/3
18	M196-9301	1819	735	2/3
19	S248-0009	163	294	1/3
20	S248-4003	300	60	1/3
21	WSK3-503	300	120	1/3
22	WSK3-504	300	120	1/3
23	WSP-9090	265	298	1/3
24	WTR-5026	255	120	1/3





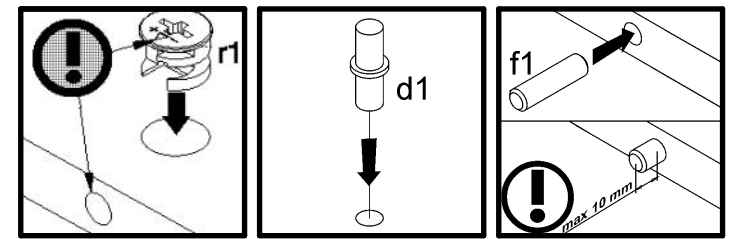


**1**

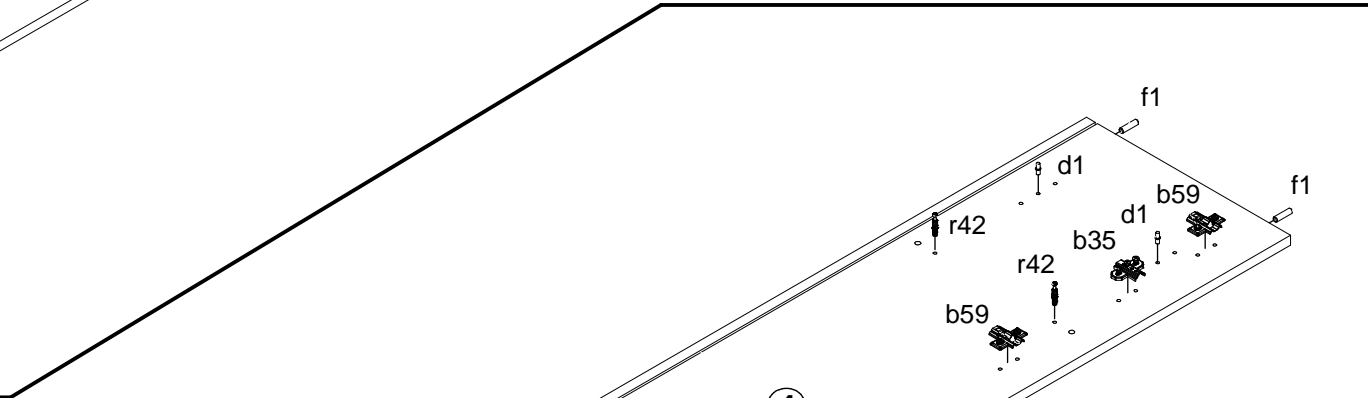
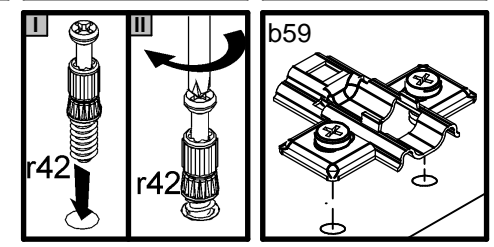
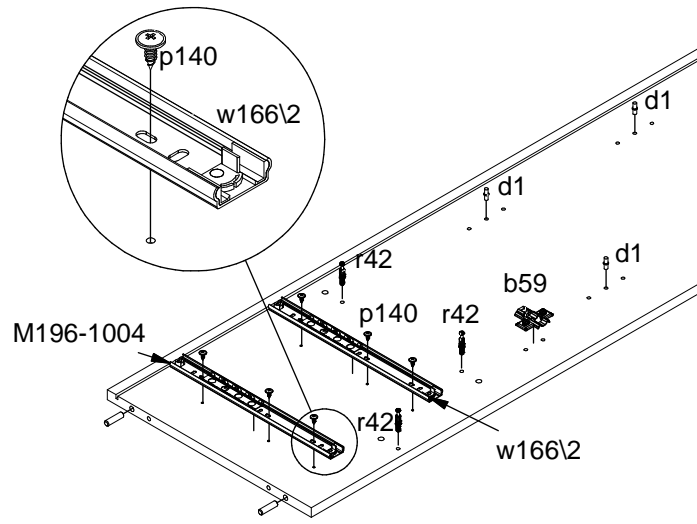


2x  300 mm <b>w166\2</b>	6x  Ø3,5x12mm <b>p140</b>	2x  <b>b35</b>	3x  <b>b59</b>
4x  Ø8x30 mm <b>f1</b>	2x  Ø15x12 mm #16 <b>r1</b>	1x  <b>r42</b>	8x  Ø5x17 mm <b>d1</b>

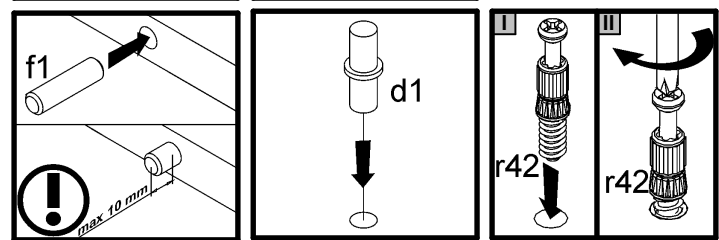
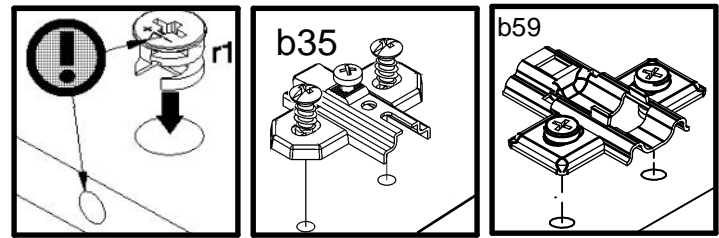
2x 300 mm <b>w166\2</b>	6x Ø3.5x12mm <b>p140</b>	5x <b>r42</b>	2x <b>b59</b>
4x Ø8x30 mm <b>f1</b>	2x Ø15x12 mm #16 <b>r1</b>	6x Ø5x17 mm <b>d1</b>	



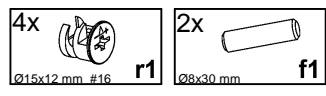
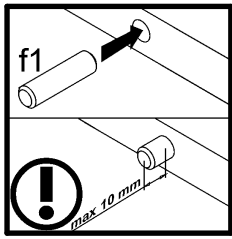
**1**



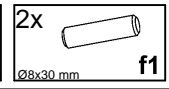
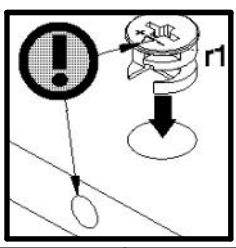
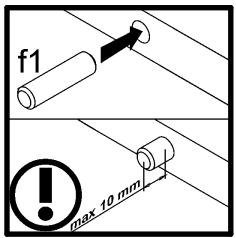
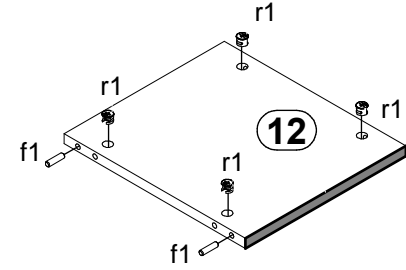
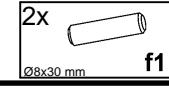
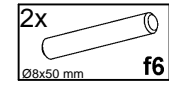
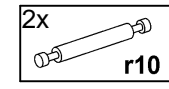
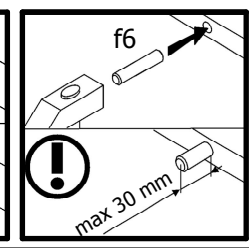
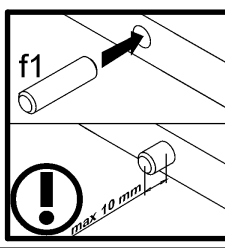
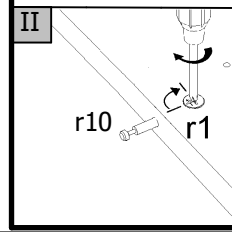
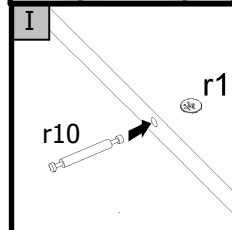
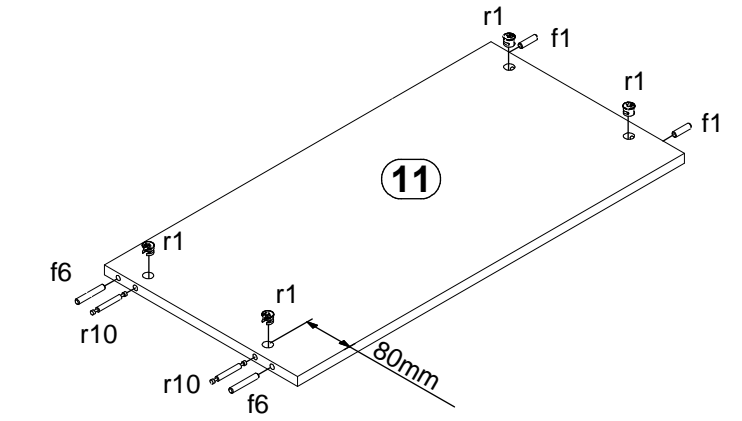
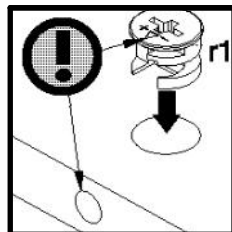
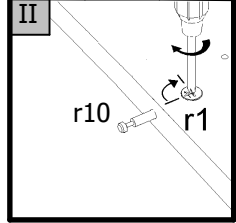
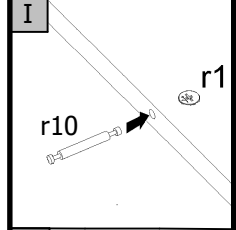
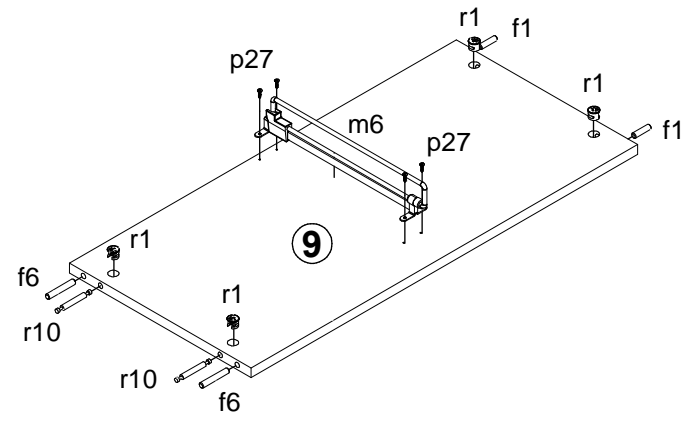
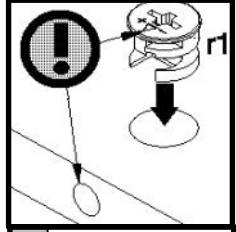
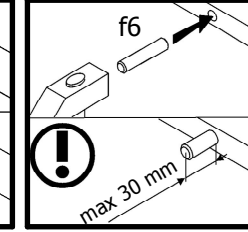
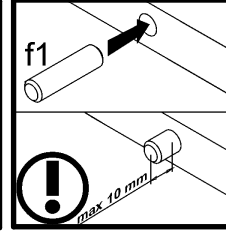
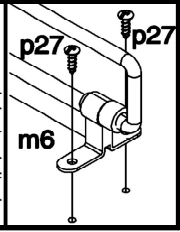
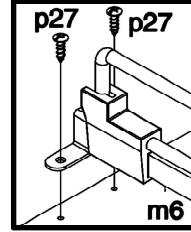
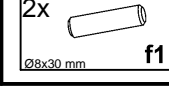
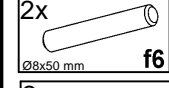
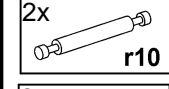
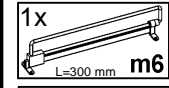
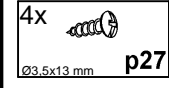
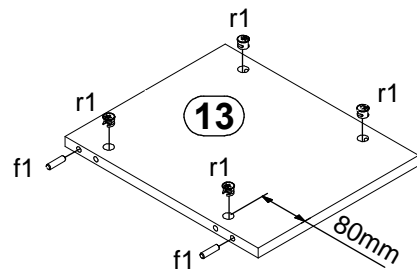
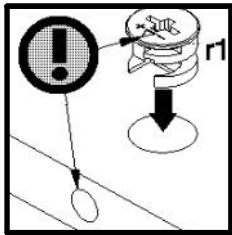
**4**

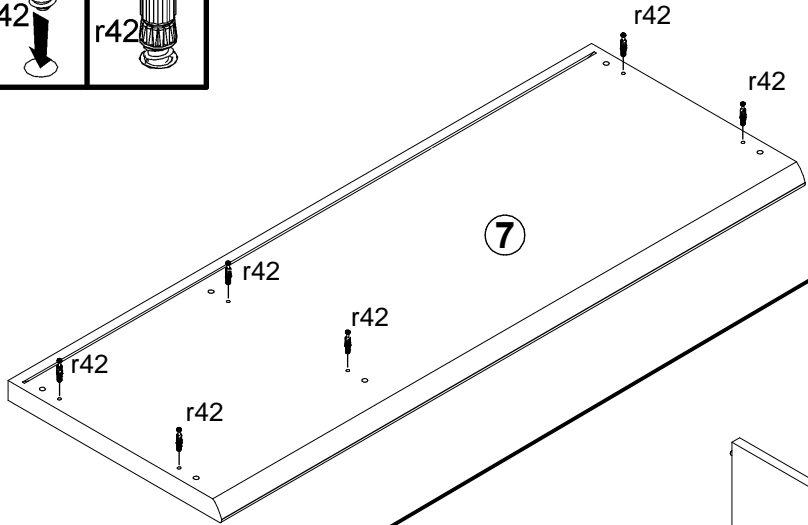
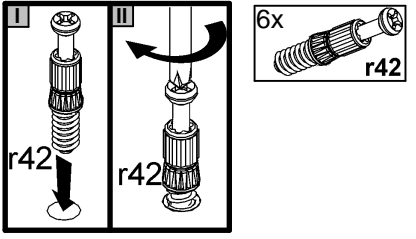


4x Ø8x30 mm <b>f1</b>	1x <b>b35</b>	3x <b>b59</b>
2x Ø15x12 mm #16 <b>r1</b>	4x <b>r42</b>	2x Ø5x17 mm <b>d1</b>

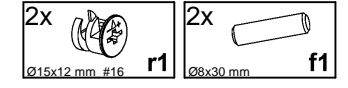
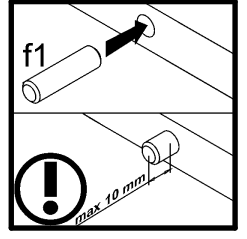
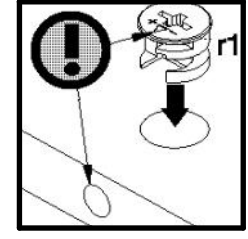
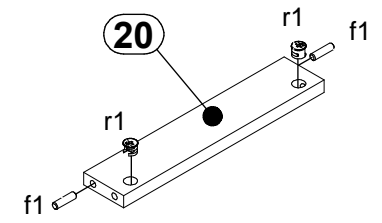


**1**

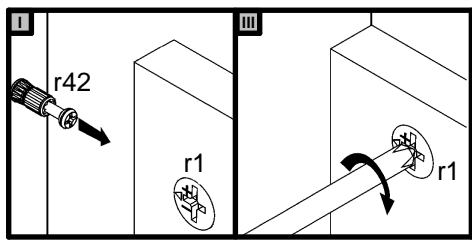
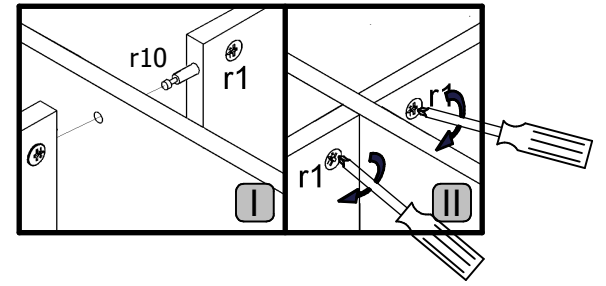
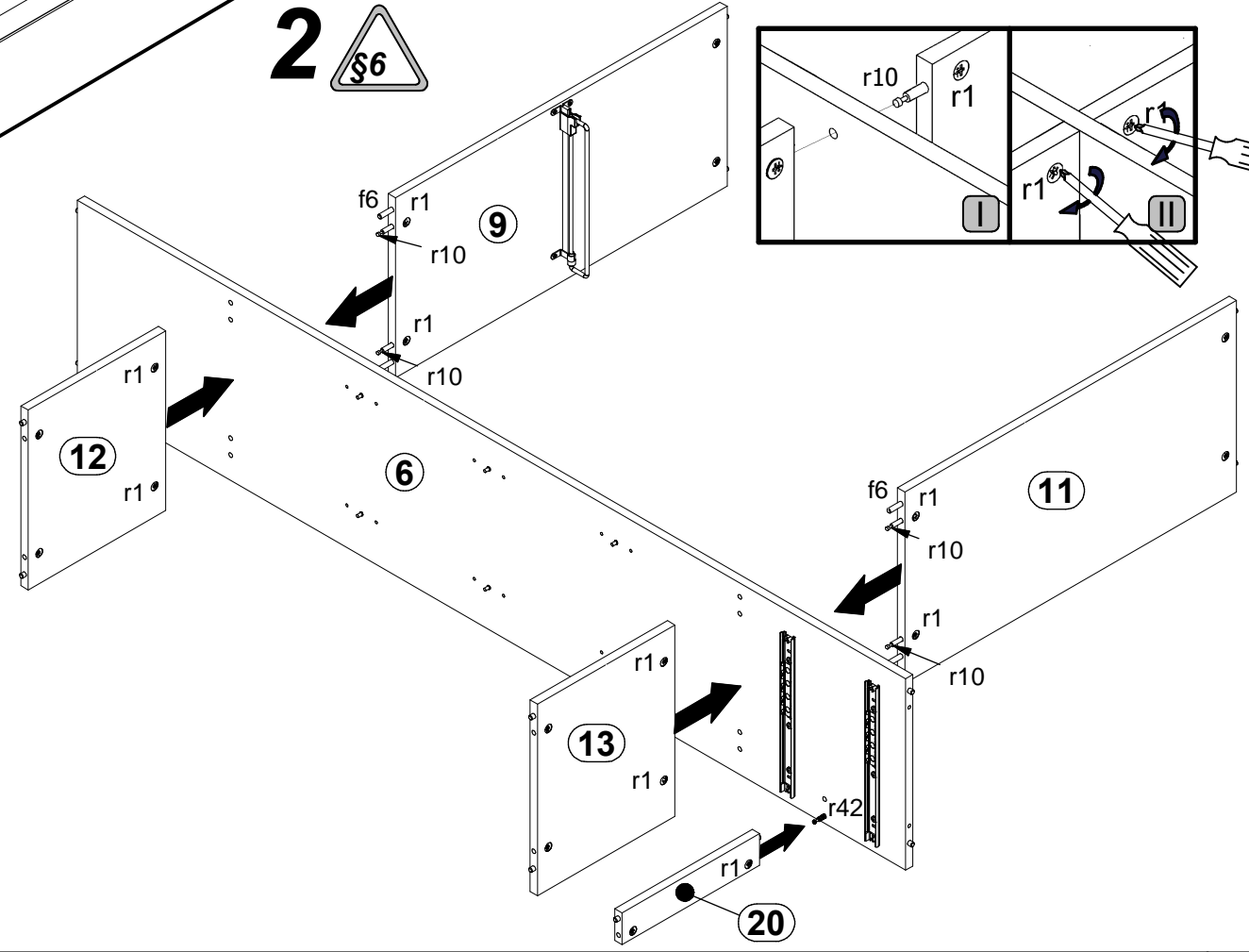




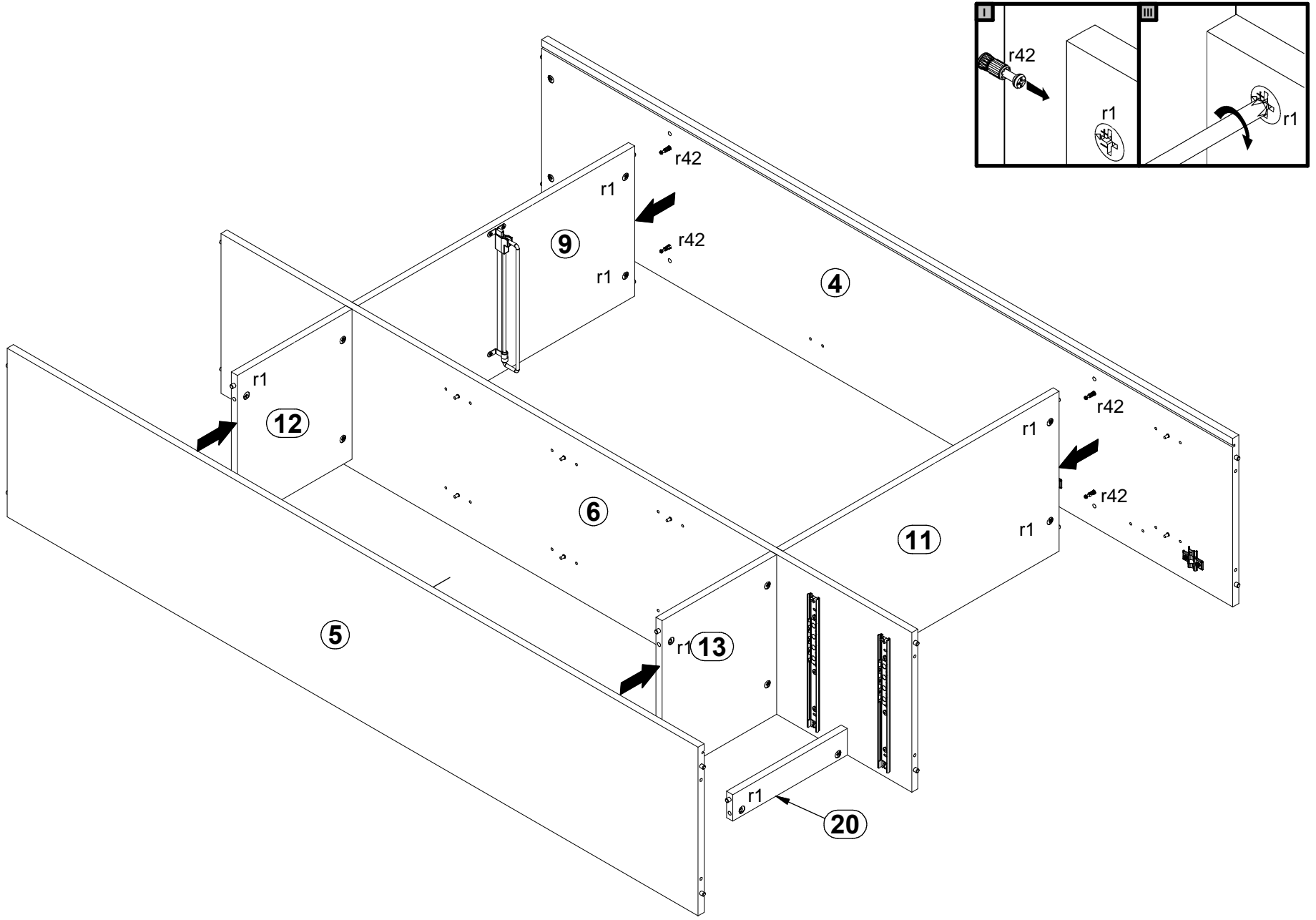
1



2

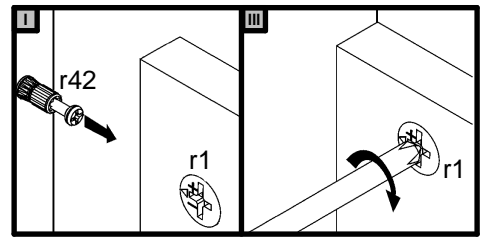
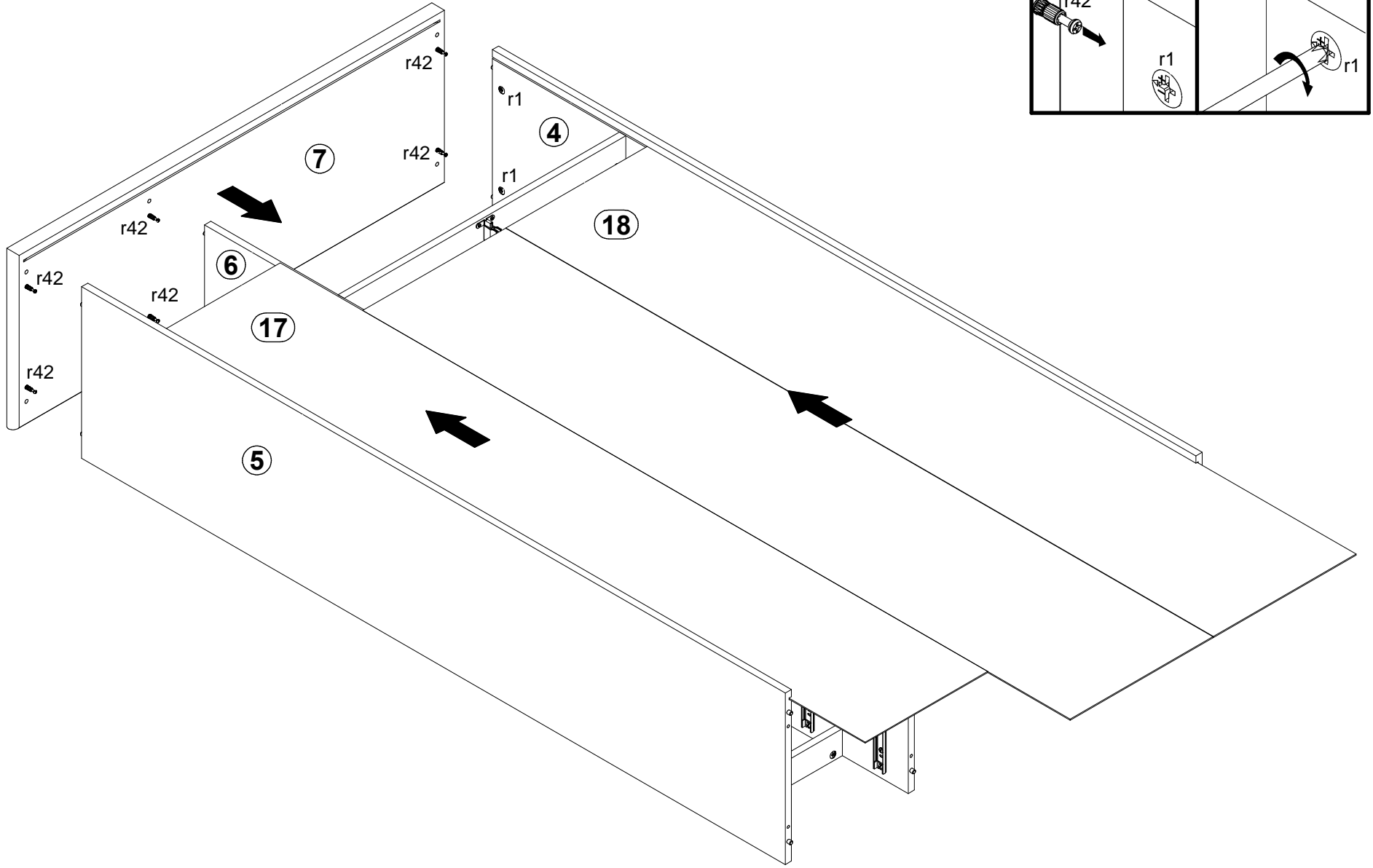


# 3

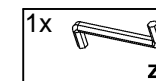
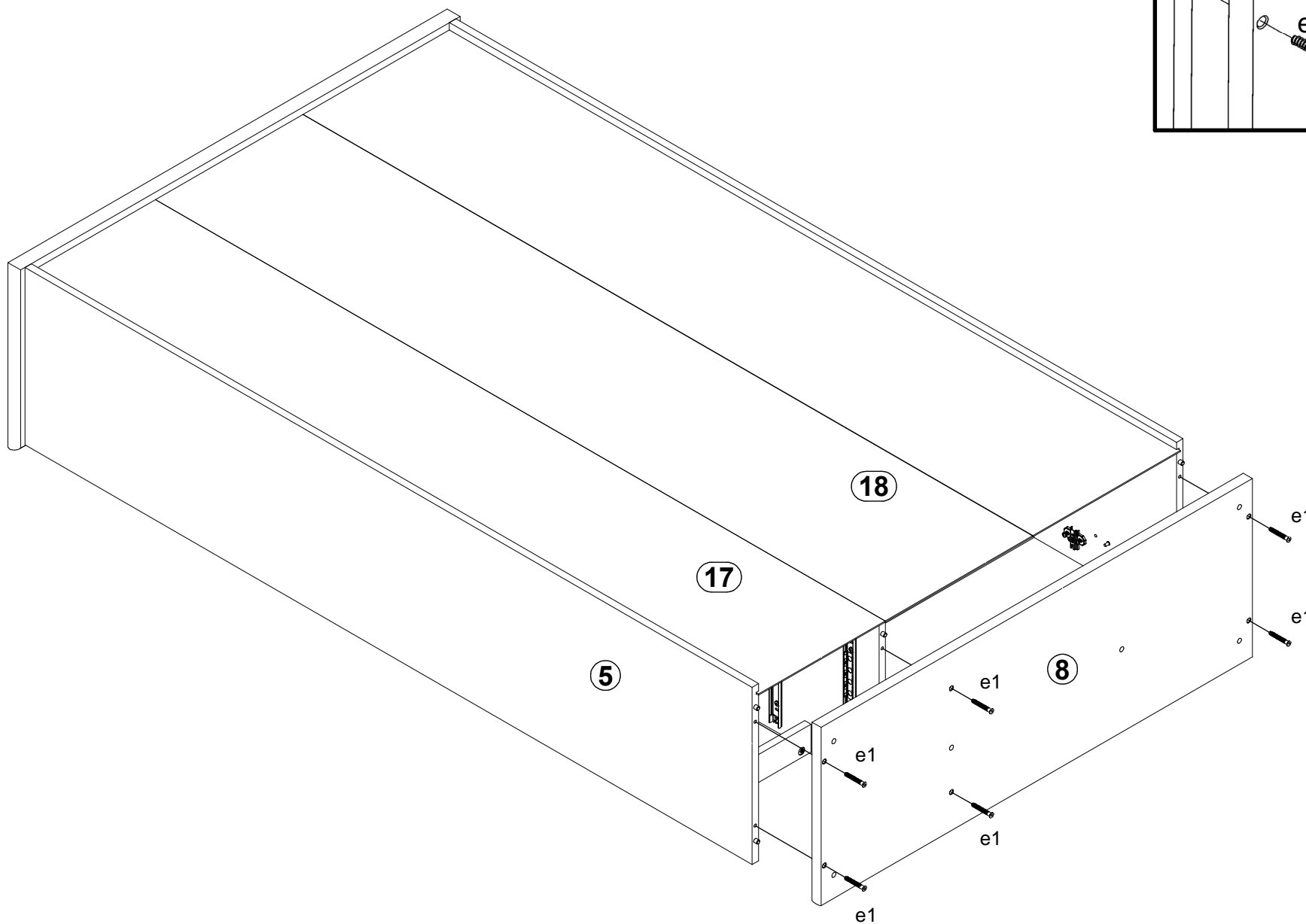
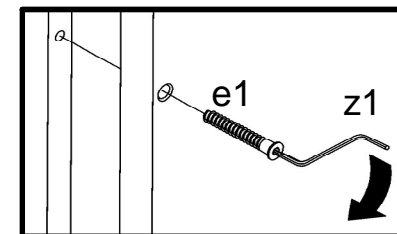


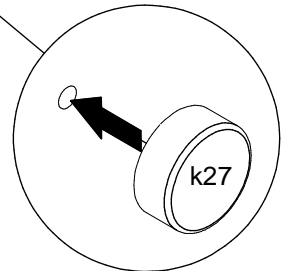
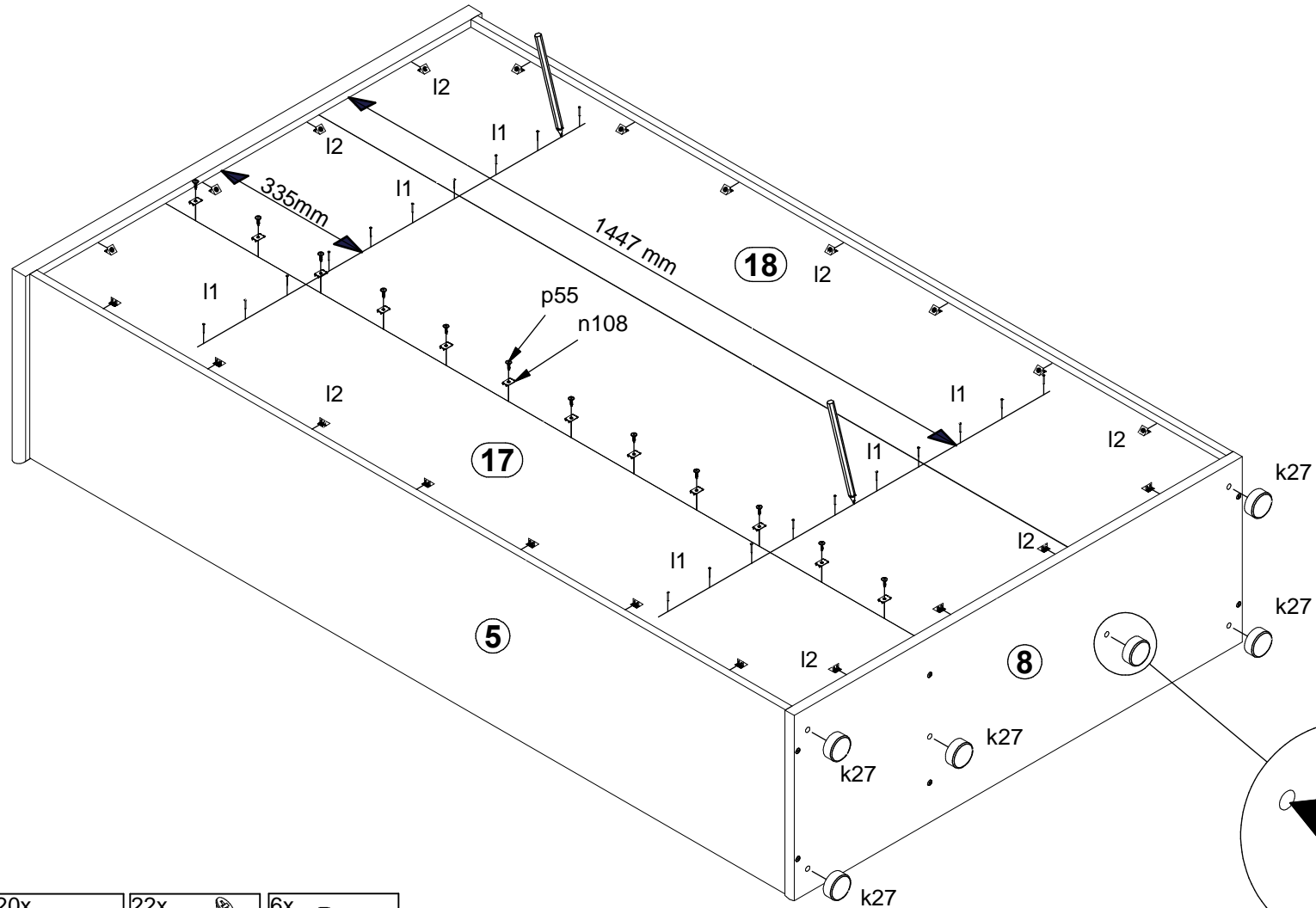
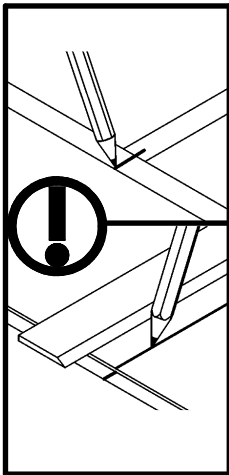
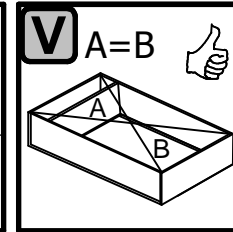
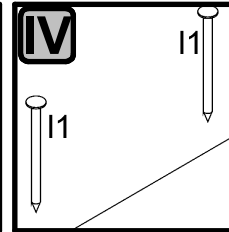
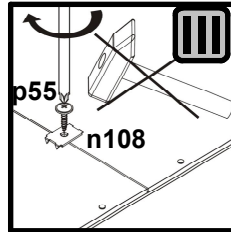
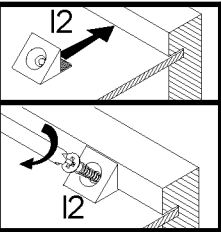
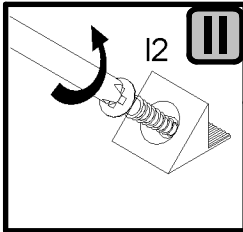
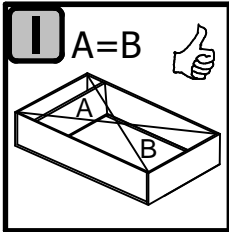


4



5

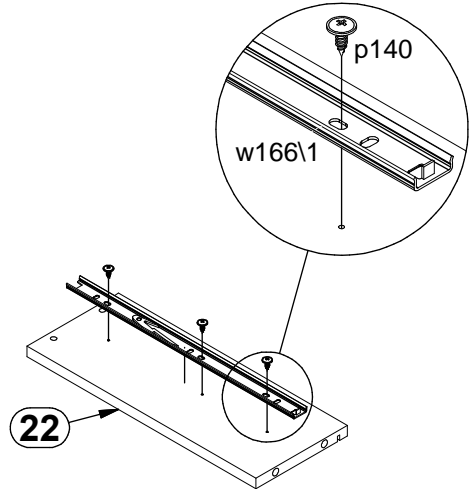




- 12x p55
- 12x n108
- 20x I1
- 22x I2
- 6x k27

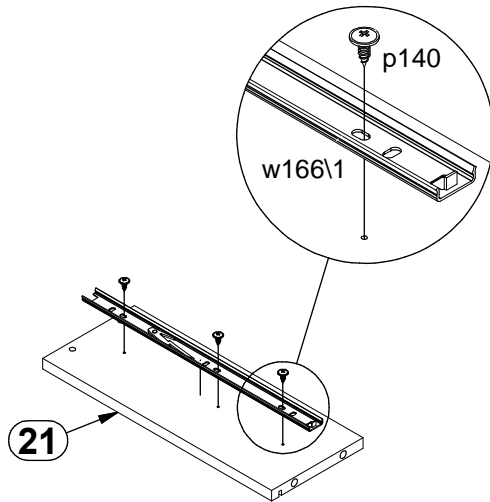
7

I



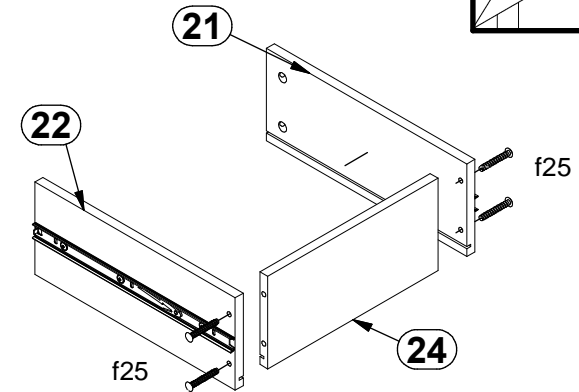
- 1x w166\1 300 mm
- 3x p140 Ø3,5x12mm

II



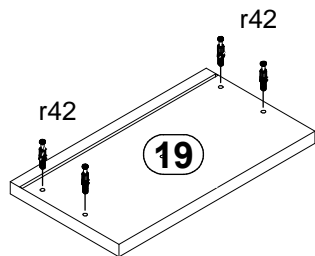
- 1x w166\1 300 mm
- 3x p140 Ø3,5x12mm

III



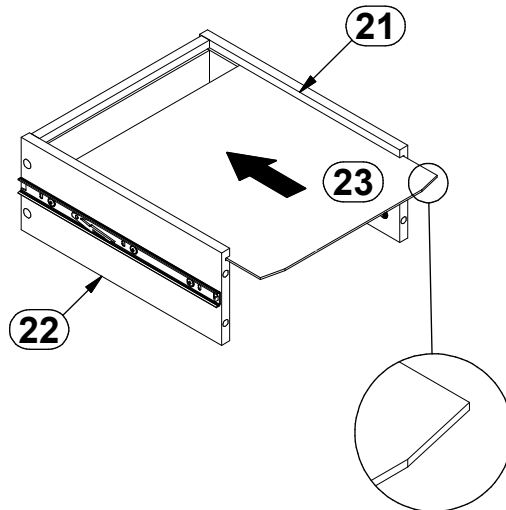
- 4x f25 Ø6,5x40 mm

IV

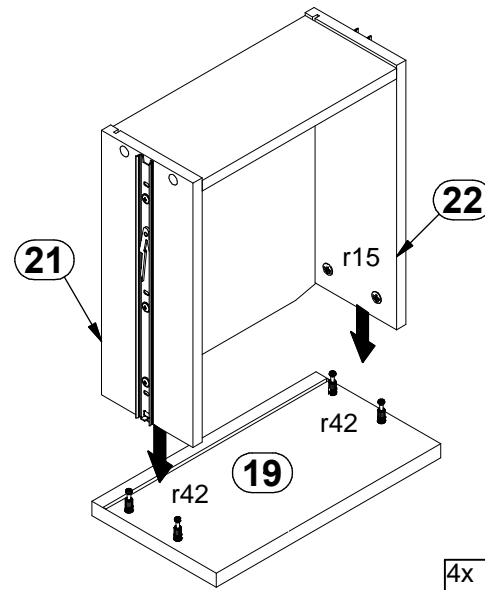


- I r42
- II r42
- 4x r42

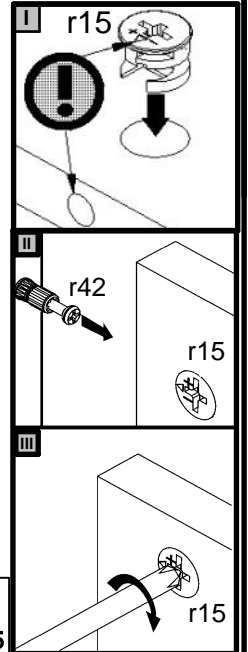
V



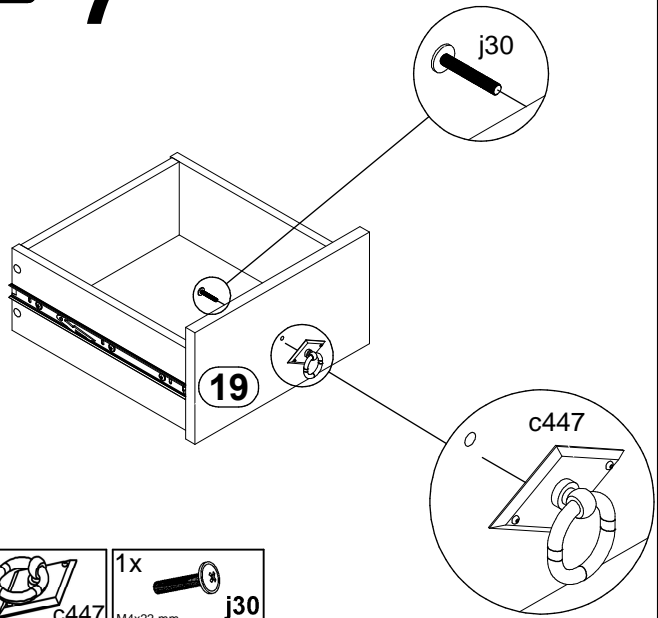
VI



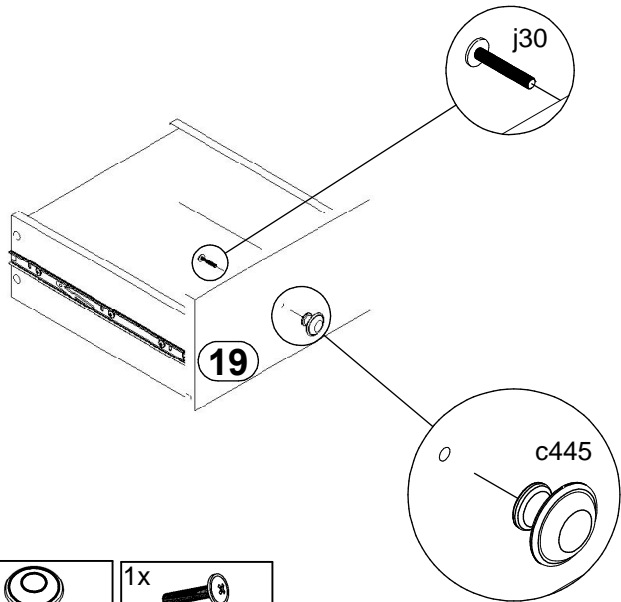
- 4x r15 Ø12x10,5 mm #12



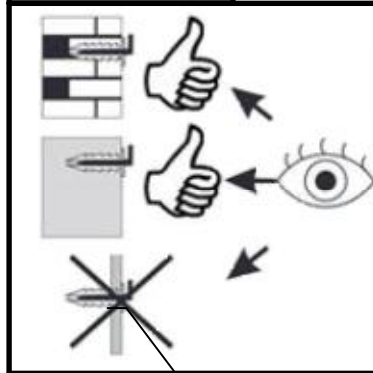
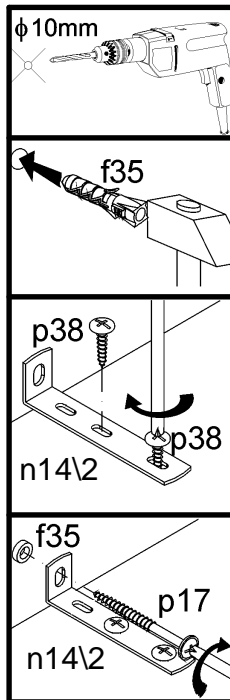
VII 7



- 1x c447
- 1x j30 M4x22 mm

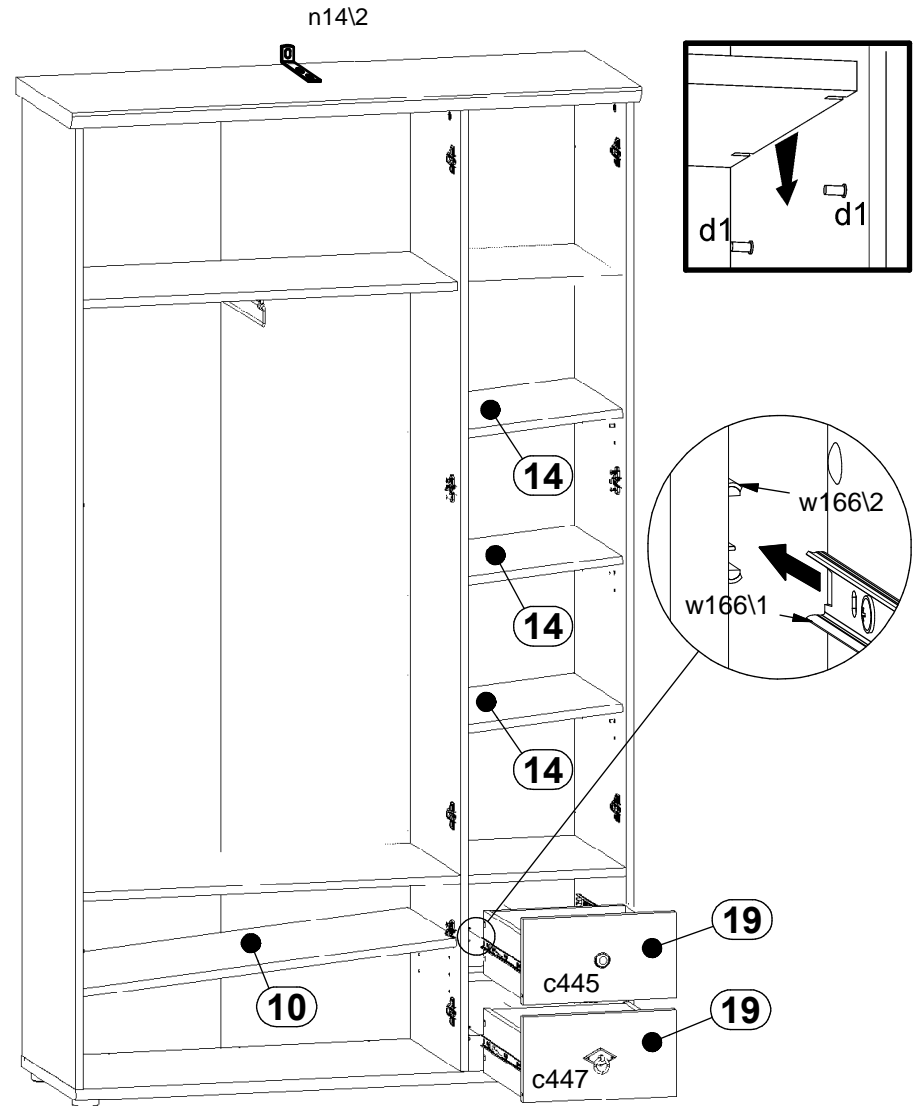


- 1x c445
- 1x j30 M4x22 mm

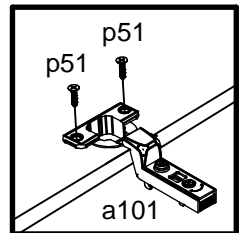
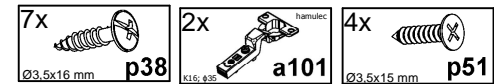
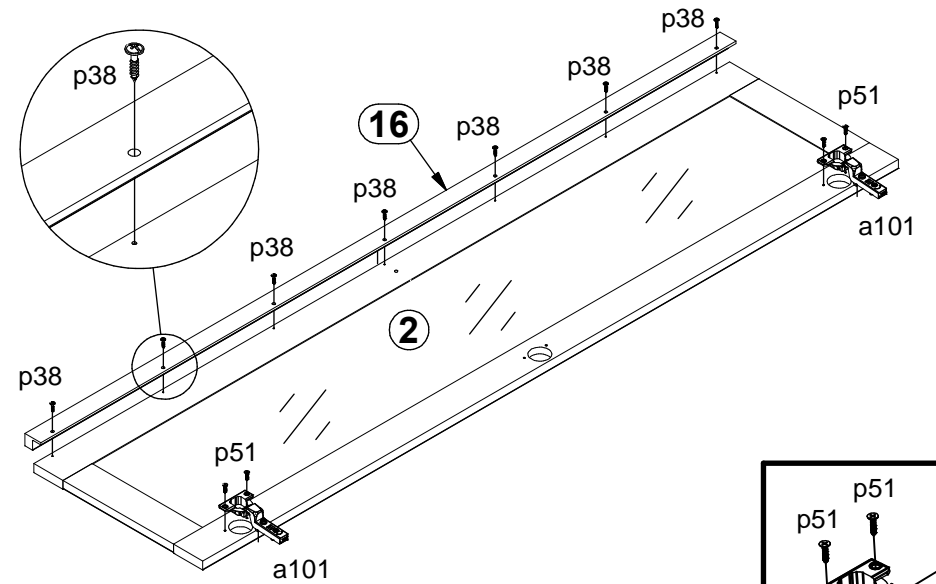
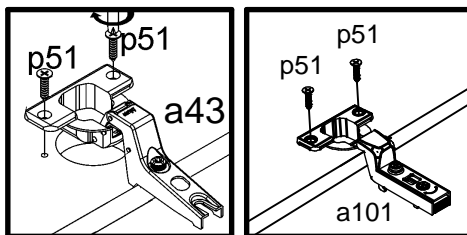
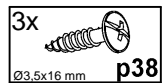
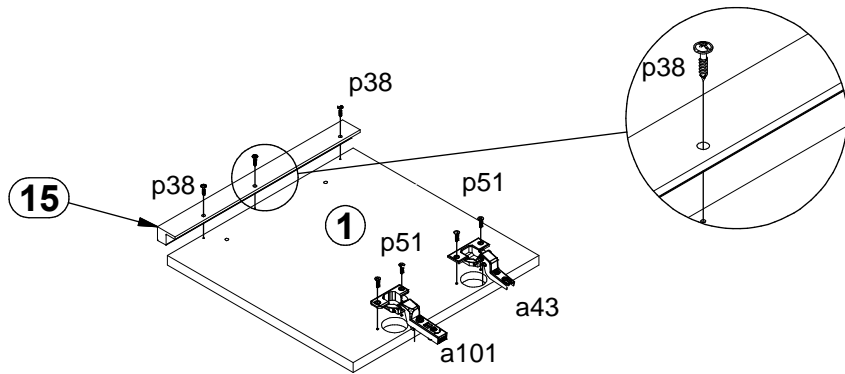
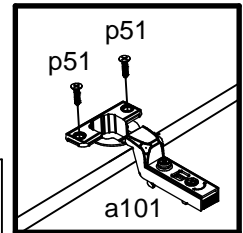
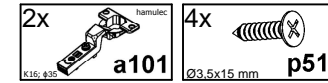
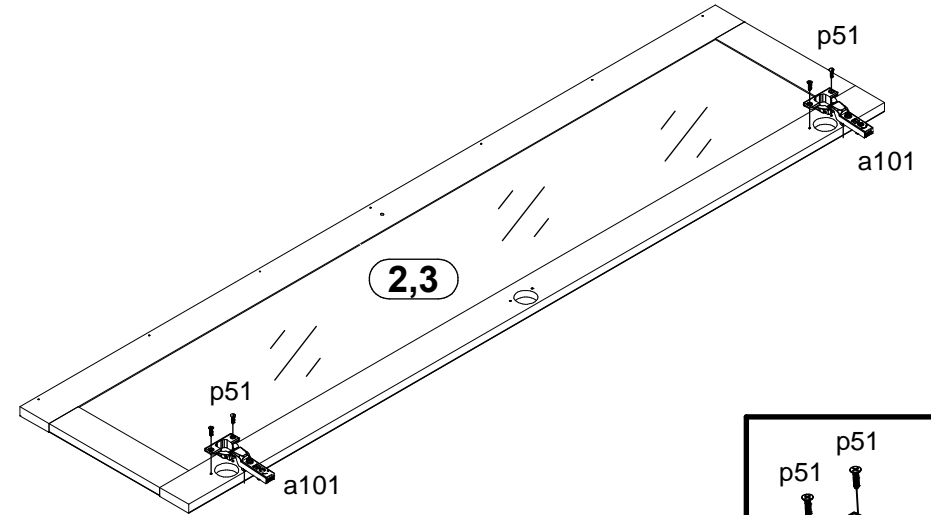
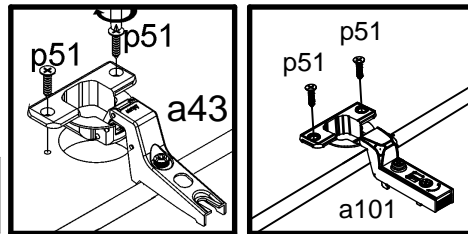
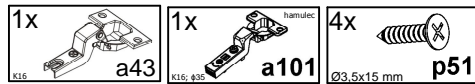
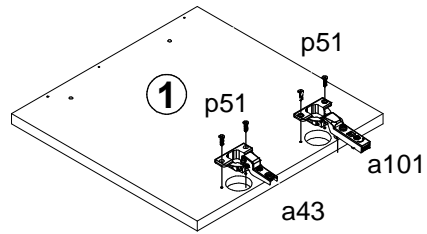


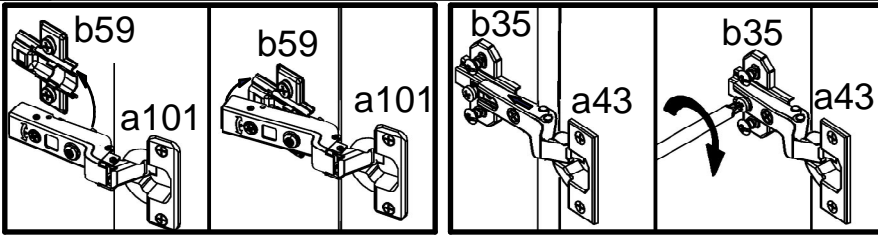
- 1x n14\2 88x21x151.5
- 2x p38 Ø3.5x16 mm
- 1x p17 Ø5x60 mm
- 1x f35 Ø10x50 mm

8

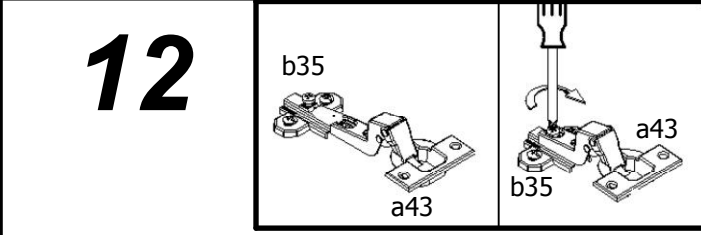


9

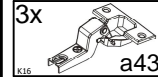
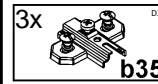
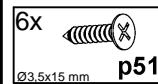
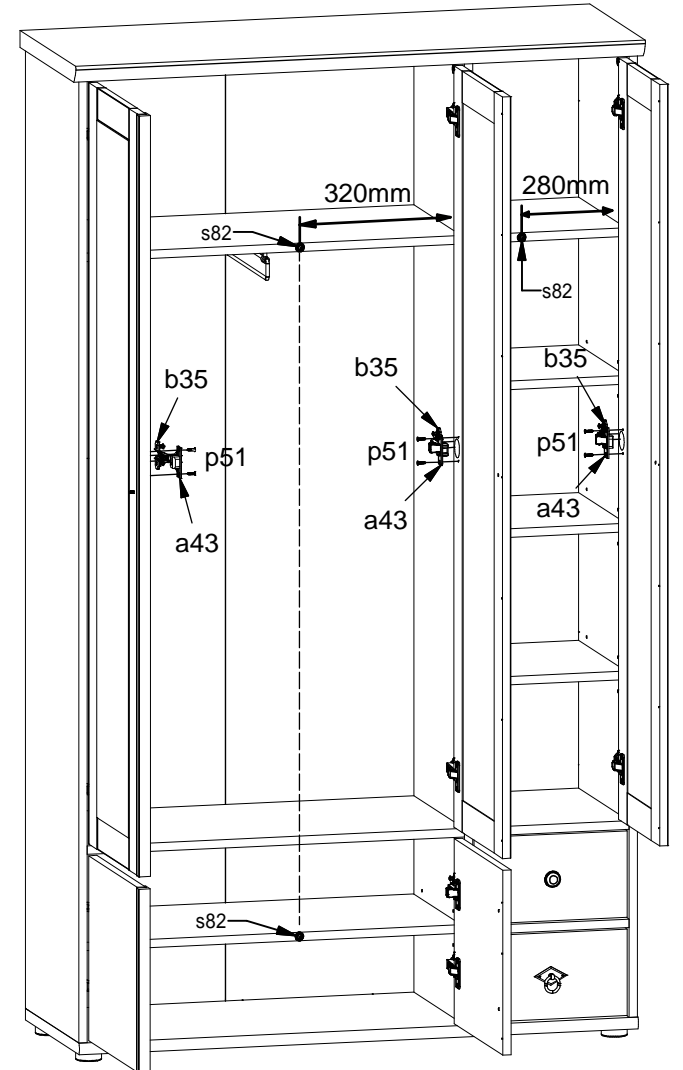
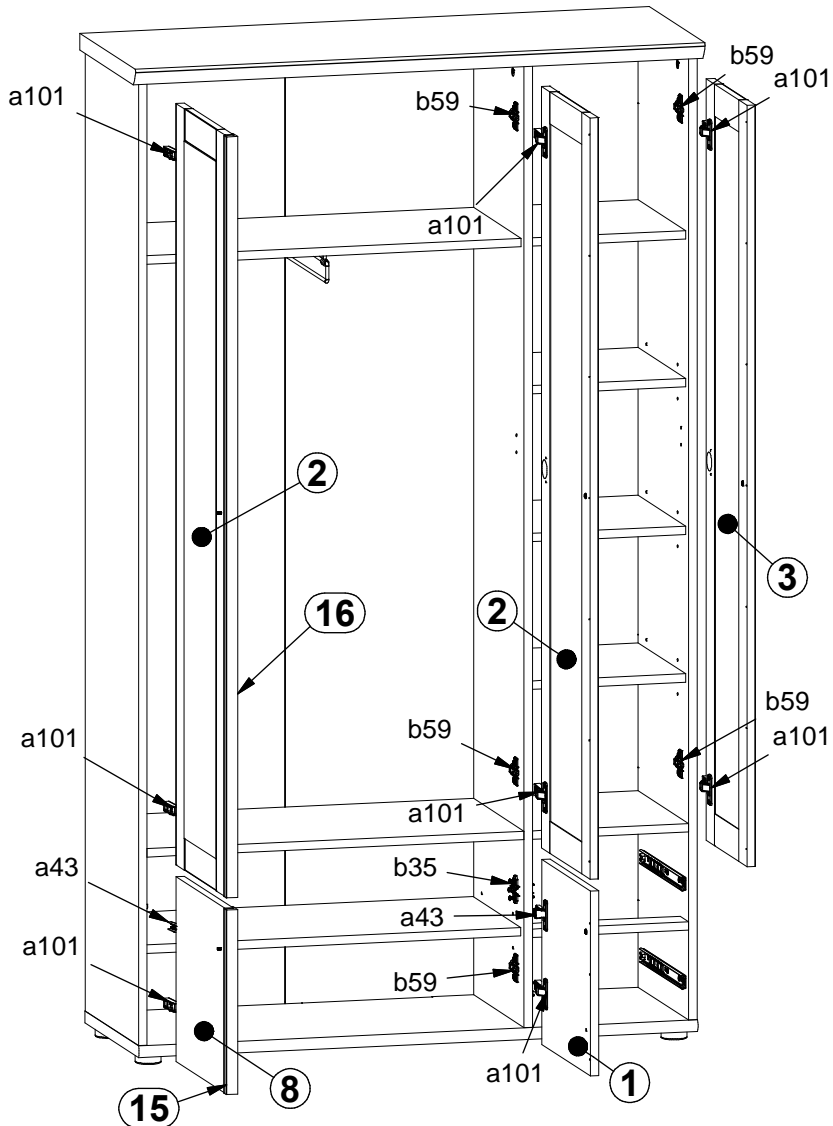
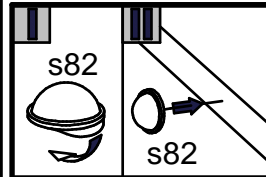
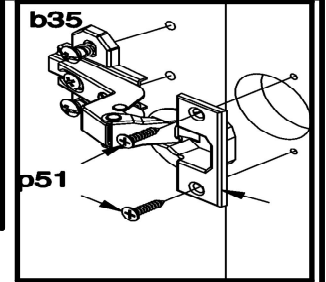


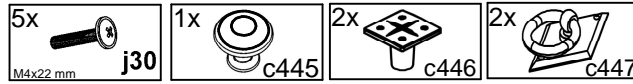
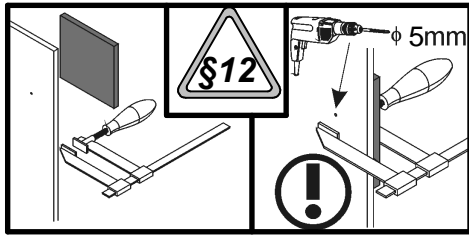


**11**



**12**





13

