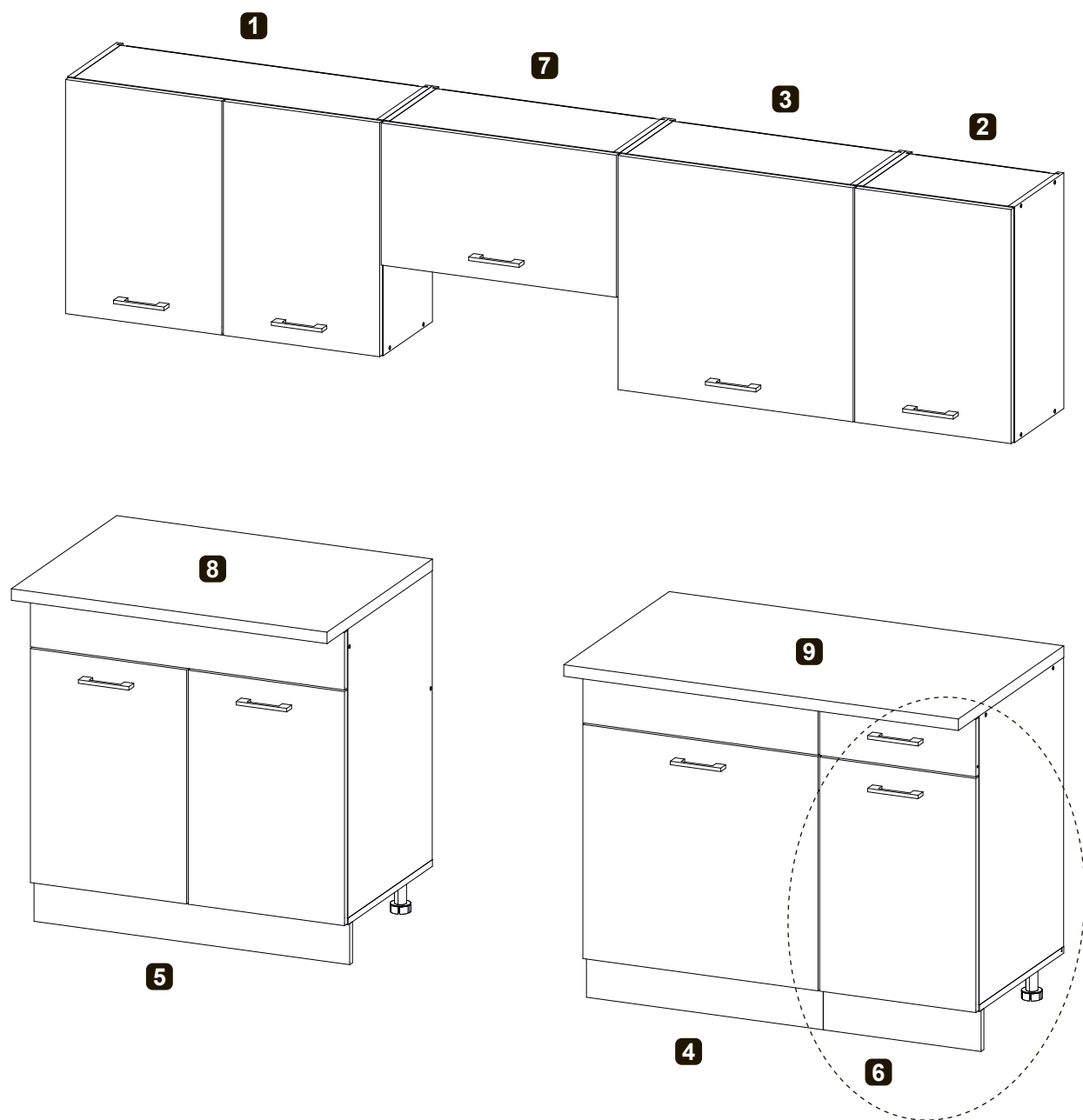
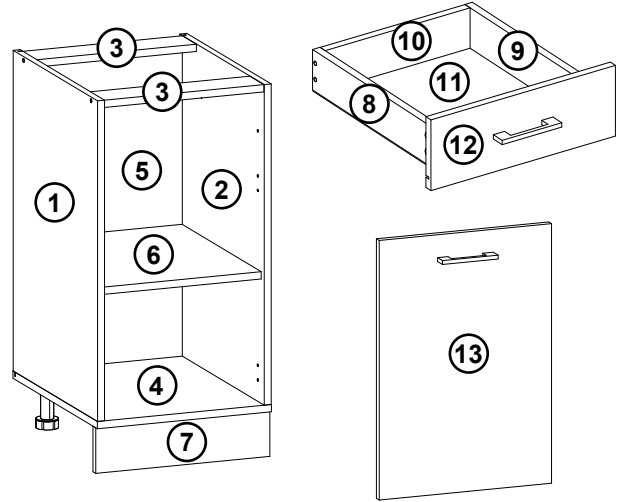
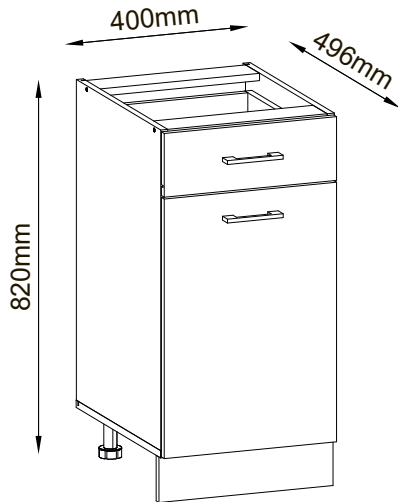


ESPERO 240



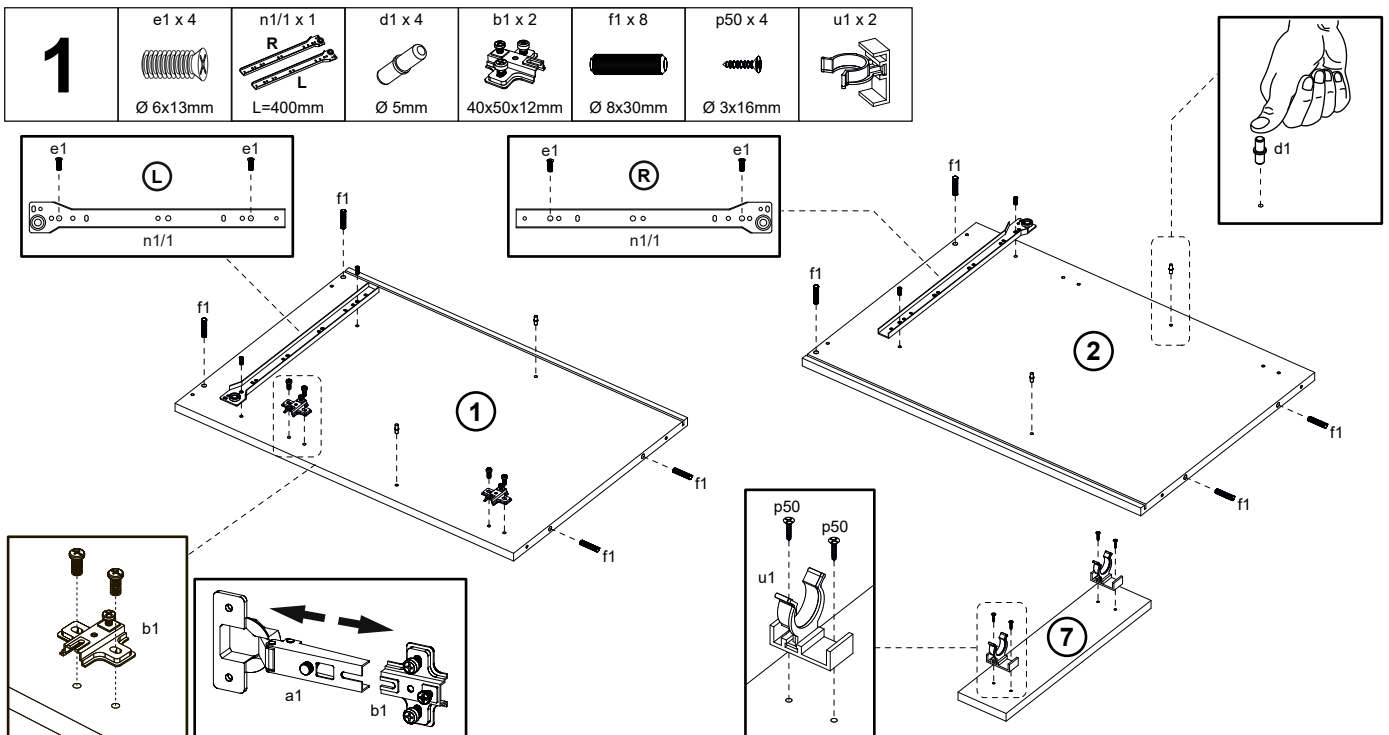
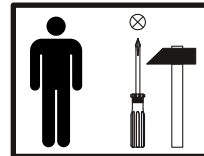
- 1** W80/57
- 2** W40/57
- 3** W60/57
- 4** D60Z
- 5** D80Z
- 6** D40S1
- 7** Wo60/35
- 8** Worktop 80
- 9** Worktop 100

ESPERO D40s1



1x 4mm z1	12x Ø 6,3x50mm e27	12x Ø 12mm s3
8x Ø 8x30mm f1	4x 45mm r23	4x Ø 15x12mm r1
4x Ø 20mm s1	2x Ø 35mm ab1	4x Ø 5mm d1
1x L=400mm n1/1	1x L=400mm n1/2	2x L=96/128mm c238
4x h=100mm k52	2x u1	7x 10x10x15mm i2
10x Ø 2x20mm g1	24x Ø 3x16mm p50	4x Ø 3,5x16mm p51
4x Ø 4x25mm p26		4x Ø 6x13mm e1

A	B (mm)		C	D
1	704	480	16	x1 6/10
2	704	480	16	x1 6/10
3	367	80	16	x2 6/10
4	400	480	16	x1 6/10
5	710	382	2.5	x1 6/10
6	366	450	16	x1 6/10
7	400	100	16	x1 6/10
8	400	80	16	x1 6/10
9	400	80	16	x1 6/10
10	311	80	16	x1 6/10
11	406	342	2.5	x1 6/10
12	396	140	16	x1 9/10
13	570	396	16	x1 9/10



2	z1 x 1 4mm	e27 x 4 Ø 6,3x50mm	s3 x 4 Ø 12mm
----------	---------------	-----------------------	------------------

z1
e27

e27
s3

3	z1 x 1 4mm	e27 x 4 Ø 6,3x50mm	s3 x 4 Ø 12mm
----------	---------------	-----------------------	------------------

z1
e27

e27
s3

4	g1 x 5 Ø 2x20mm	l2 x 7 10x10x15mm	p52 x 4 h=100mm
----------	--------------------	----------------------	--------------------

p50 x 16 Ø 3x16mm	
----------------------	--

l2

p50

5	z1 x 1 4mm	e27 x 4 Ø 6,3x50mm	s3 x 4 Ø 12mm	r1 x 4 Ø 15x12mm	r23 x 4 45mm	s1 x 4 Ø 20mm	c238 x 1 L=96/128mm	p26 x 2 Ø 4x25mm	n1/2 x 1 R L L=400mm	p50 x 4 Ø 3x16mm	g1 x 5 Ø 2x20mm
----------	---------------	-----------------------	------------------	---------------------	-----------------	------------------	------------------------	---------------------	-------------------------------	---------------------	--------------------

r23

r1

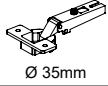
s1
r1

p50
n1/2

p50
n1/2

6

a1 x 2



Ø 35mm

p51 x 4



Ø 3,5x16mm

c238 x 1

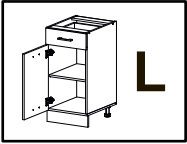
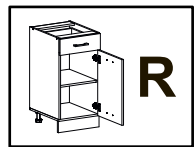
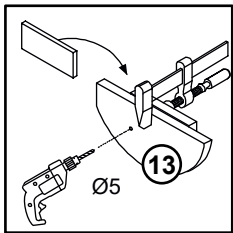
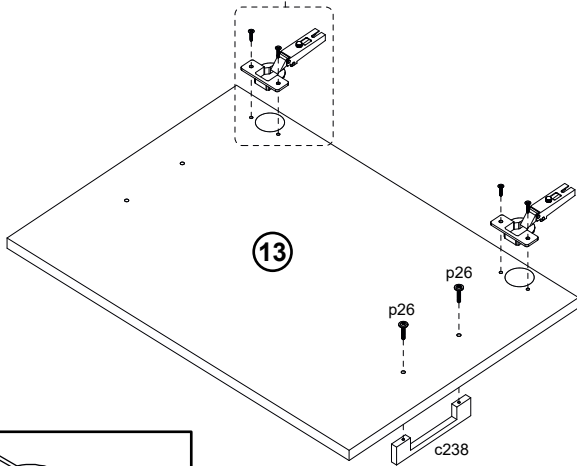
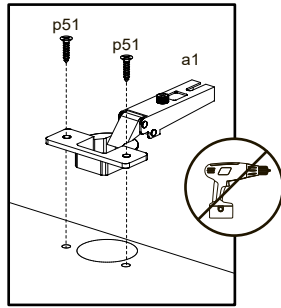
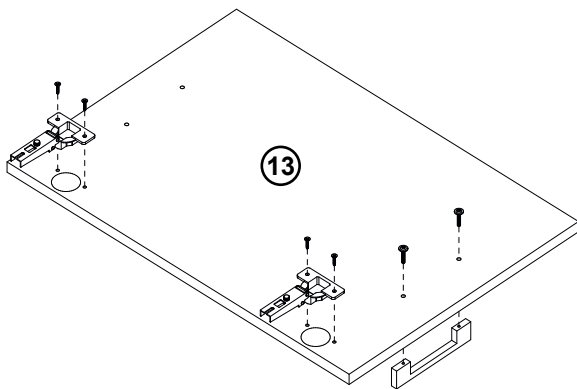
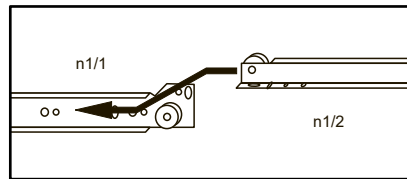
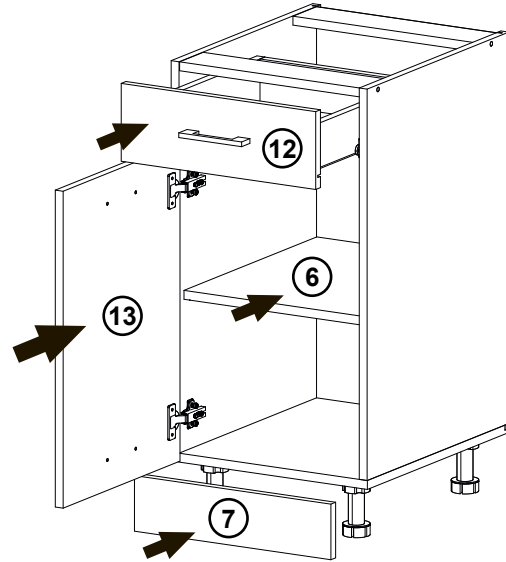
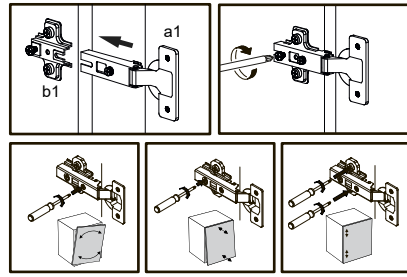
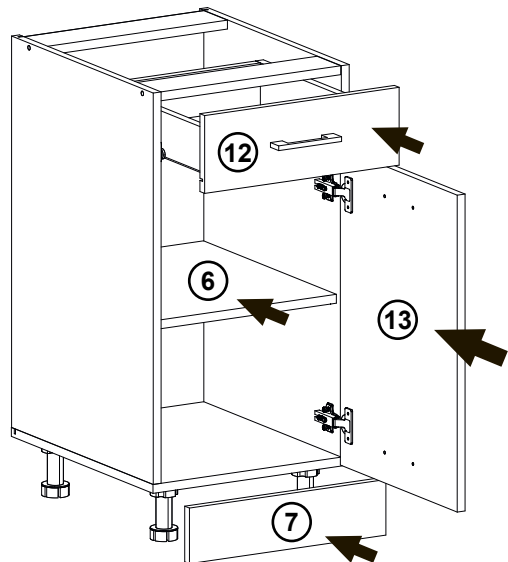


L=96/128mm

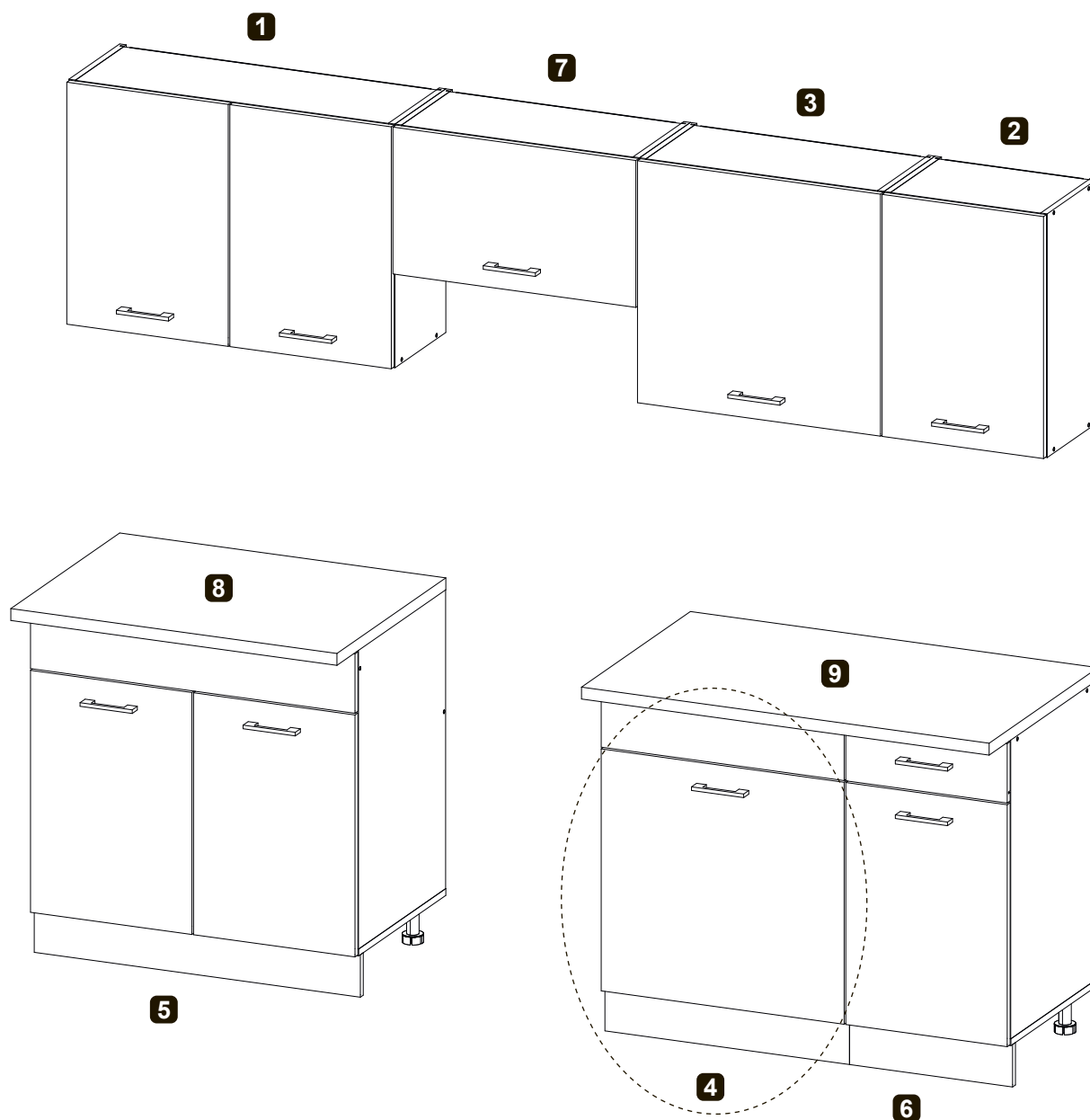
p26 x 2



Ø 4x25mm

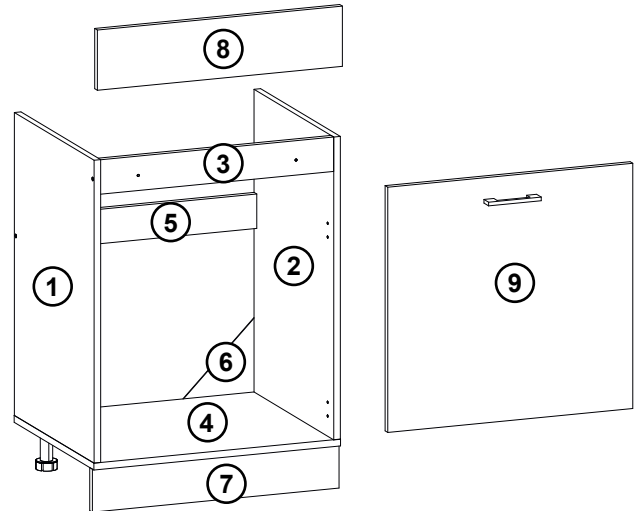
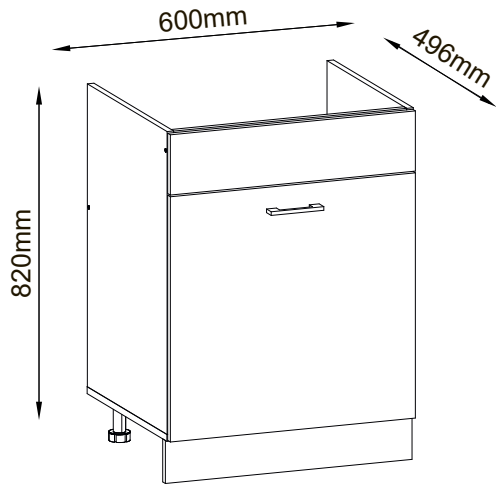
**L****R****7****L****R**

ESPERO 240



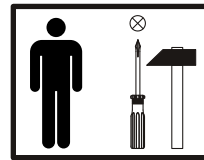
- 1 W80/57
- 2 W40/57
- 3 W60/57
- 4 D60Z
- 5 D80Z
- 6 D40S1
- 7 Wo60/35
- 8 Worktop 80
- 9 Worktop 100

ESPERO D60z

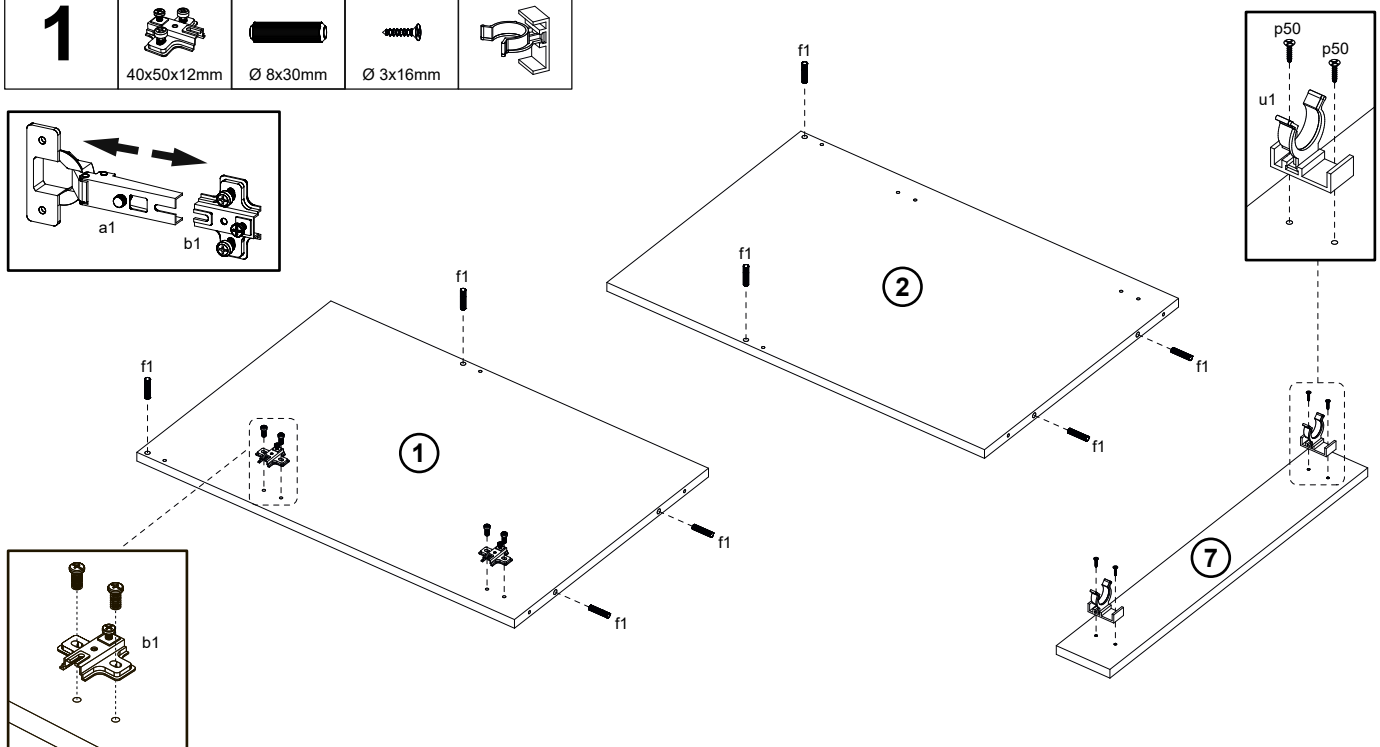
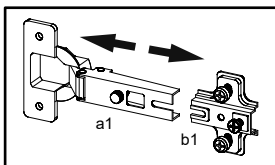


1x 4mm z1	8x Ø 6,3x50mm e27	8x Ø 12mm s3
8x Ø 8x30mm f1	2x Ø 35mm ab1	1x L=96/128mm c238
4x h=100mm k52	2x u1	12x Ø 2x20mm g1
2x Ø 4x25mm p26	20x Ø 3x16mm p50	4x Ø 3,5x16mm p51
	2x Ø 4x30 mm p30	

A	B (mm)			C	D
1	704	480	16	x1	4/10
2	704	480	16	x1	4/10
3	567	80	16	x1	4/10
4	600	480	16	x1	4/10
5	567	80	16	x1	4/10
6	200	200	2.5	x2	4/10
7	600	100	16	x1	4/10
8	596	140	16	x1	10/10
9	570	596	16	x1	10/10



1	b1 x 2 40x50x12mm	f1 x 8 Ø 8x30mm	p50 x 4 Ø 3x16mm	u1 x 2
----------	--------------------------	------------------------	-------------------------	------------



2	z1 x 1 4mm	e27 x 4 Ø 6,3x50mm	s3 x 4 Ø 12mm
---	-------------------	---------------------------	----------------------

z1

 e27

e27

 s3

3	z1 x 1 4mm	e27 x 4 Ø 6,3x50mm	s3 x 4 Ø 12mm
---	-------------------	---------------------------	----------------------

z1

 e27

e27

 s3

4	g1 x 12 Ø 2x20mm	p50 x 16 Ø 3x16mm
---	-------------------------	--------------------------

p52 x 4

 h=100mm

k52

 p50 p50 p50

5	a1 x 2 Ø 35mm	p51 x 4 Ø 3,5x16mm	c238 x 1 L=96/128mm	p26 x 2 Ø 4x25mm
---	----------------------	---------------------------	----------------------------	-------------------------

a1

 p51 p51

p26

 c238

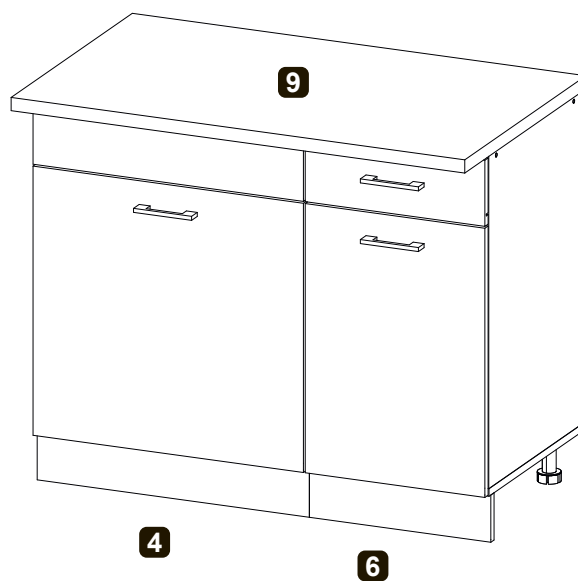
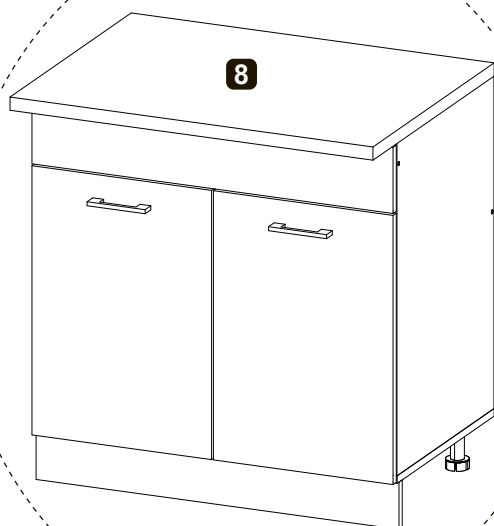
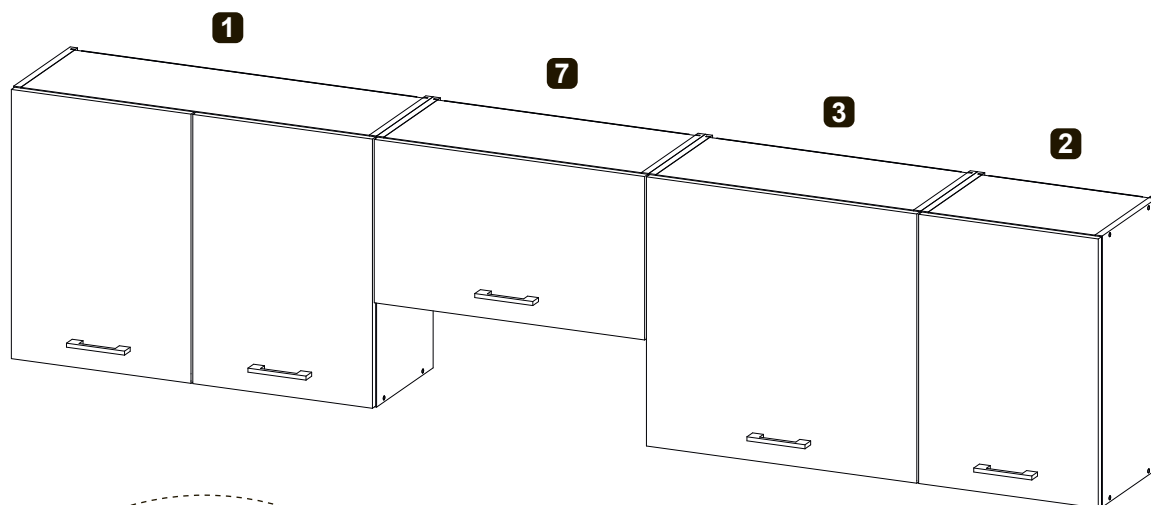
Ø5

6	p30 x 2 Ø 4x30mm
---	-------------------------

a1

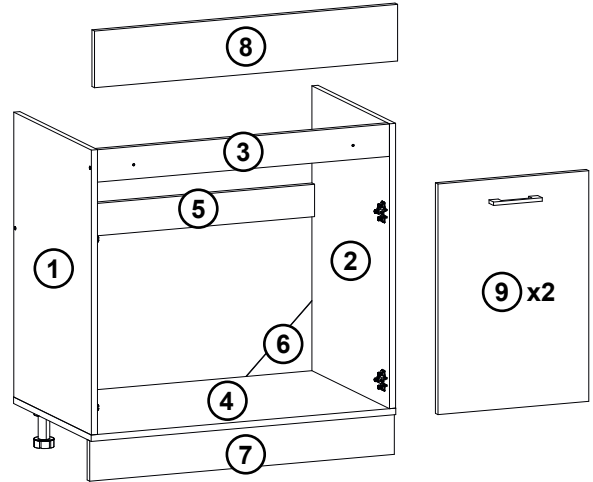
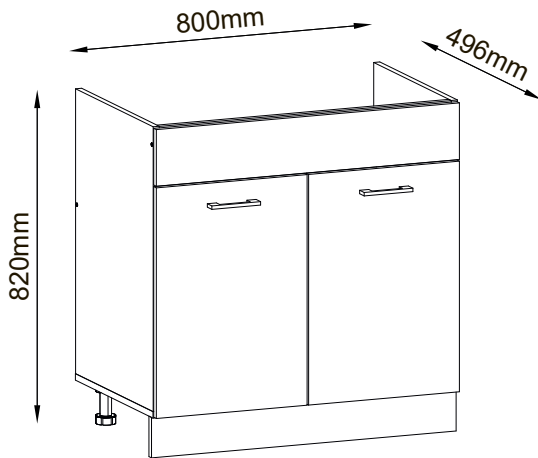
b1

ESPERO 240



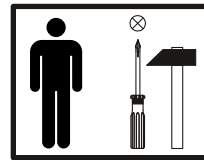
- 1** W80/57
- 2** W40/57
- 3** W60/57
- 4** D60Z
- 5** D80Z
- 6** D40S1
- 7** Wo60/35
- 8** Worktop 80
- 9** Worktop 100

ESPERO D80z

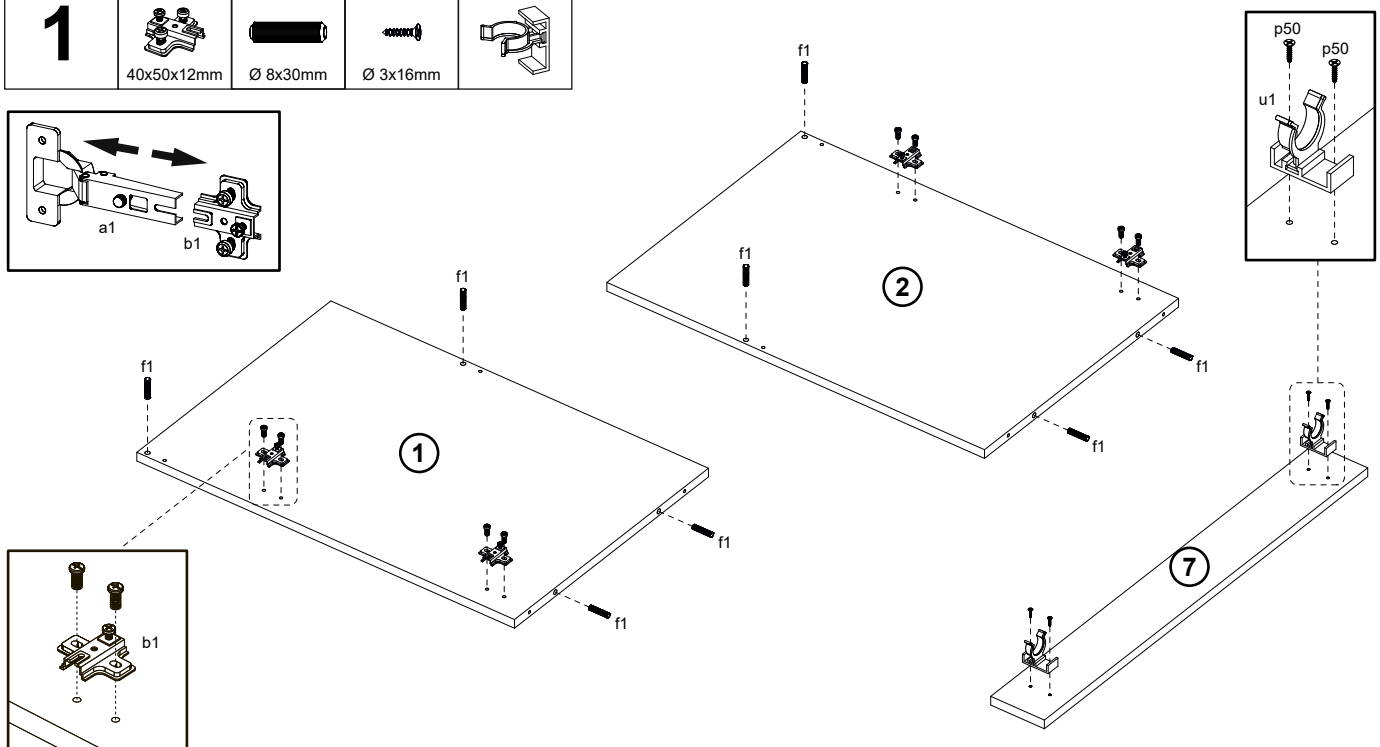
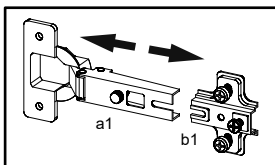


1x 4mm z1	8x Ø 6,3x50mm e27	8x Ø 12mm s3
8x Ø 8x30mm f1	4x Ø 35mm ab1	2x L=96/128mm c238
4x h=100mm k52	2x u1	12x Ø 2x20mm g1
4x Ø 4x25mm p26	20x Ø 3x16mm p50	8x Ø 3,5x16mm p51
	2x Ø 4x30 mm p30	

A	B (mm)			C	D
1	704	480	16	x1	5/10
2	704	480	16	x1	5/10
3	767	80	16	x1	5/10
4	800	480	16	x1	5/10
5	767	80	16	x1	5/10
6	200	200	2.5	x2	5/10
7	800	100	16	x1	5/10
8	796	140	16	x1	9/10
9	570	396	16	x2	9/10



1	b1 x 4 40x50x12mm 	f1 x 8 Ø 8x30mm 	p50 x 4 Ø 3x16mm 	u1 x 2
----------	--------------------------	------------------------	-------------------------	------------



2	z1 x 1 4mm	e27 x 4 Ø 6,3x50mm	s3 x 4 Ø 12mm
----------	---------------	-----------------------	------------------

Diagram 2 shows the assembly of the top panel (1) to the side panel (2). The top panel is being attached to the side panel using screws (z1), washers (e27), and spacers (s3). The diagram shows the top panel being pushed into place and secured with the hardware.

3	z1 x 1 4mm	e27 x 4 Ø 6,3x50mm	s3 x 4 Ø 12mm
----------	---------------	-----------------------	------------------

Diagram 3 shows the assembly of the bottom panel (4) to the side panel (2). The bottom panel is being attached to the side panel using screws (z1), washers (e27), and spacers (s3). The diagram shows the bottom panel being pushed into place and secured with the hardware.

4	g1 x 12 Ø 2x20mm	p50 x 16 Ø 3x16mm
----------	---------------------	----------------------

p52 x 4
h=100mm

Diagram 4 shows the assembly of the bottom panel (6) to the side panel (2). The bottom panel is being attached to the side panel using screws (g1), washers (p50), and spacers (p52). The diagram shows the bottom panel being pushed into place and secured with the hardware. A detail shows a hole with a diameter of 8mm.

5	a1 x 4 Ø 35mm	p51 x 8 Ø 3,5x16mm	c238 x 2 L=96/128mm	p26 x 4 Ø 4x25mm
----------	------------------	-----------------------	------------------------	---------------------

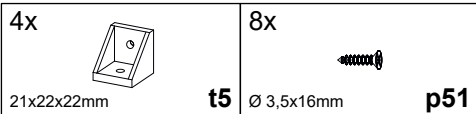
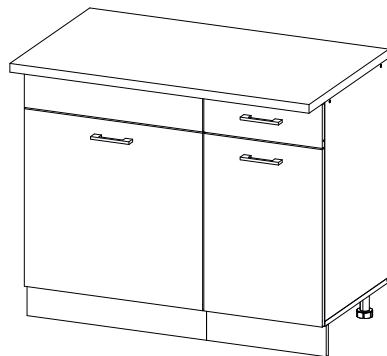
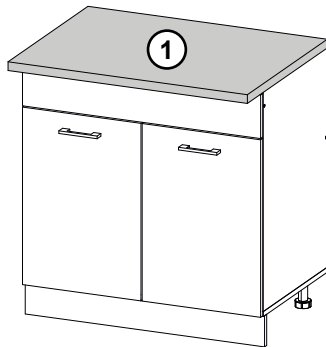
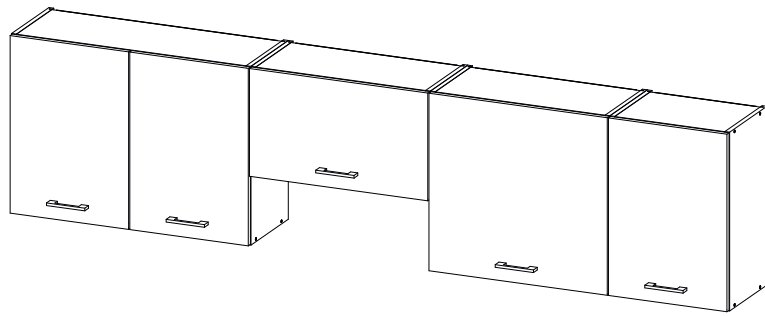
Diagram 5 shows the assembly of the bottom panel (9) to the side panel (2). The bottom panel is being attached to the side panel using brackets (a1), washers (p51), spacers (c238), and screws (p26). The diagram shows the bottom panel being pushed into place and secured with the hardware. A detail shows a hole with a diameter of Ø5.

6	p30 x 2 Ø 4x30mm
----------	---------------------

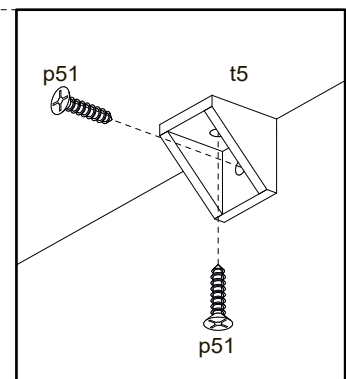
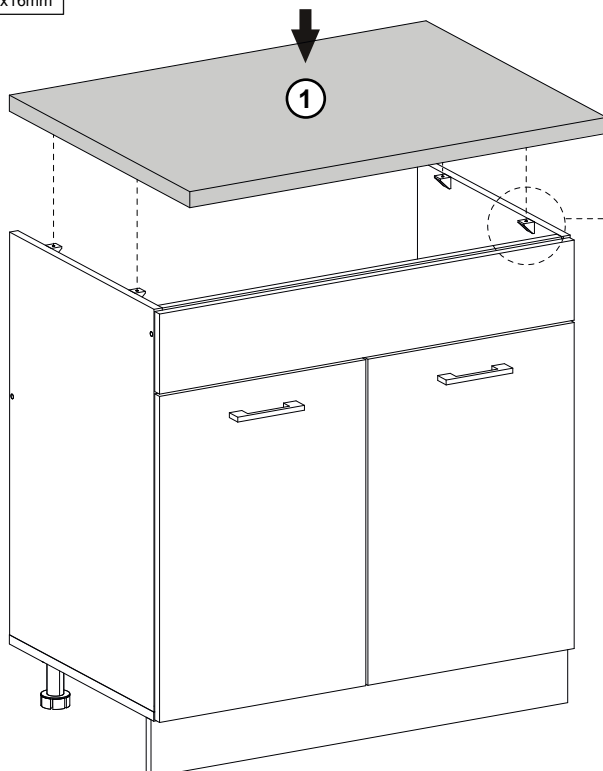
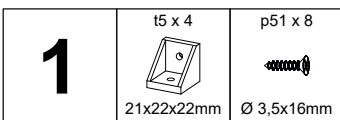
Diagram 6 shows the assembly of the top panel (8) to the side panel (2). The top panel is being attached to the side panel using screws (p30). The diagram shows the top panel being pushed into place and secured with the hardware.

Diagram 7 shows the assembly of the door (7) to the side panel (2). The door is being attached to the side panel using hinges (a1, b1). The diagram shows the door being pushed into place and secured with the hardware.

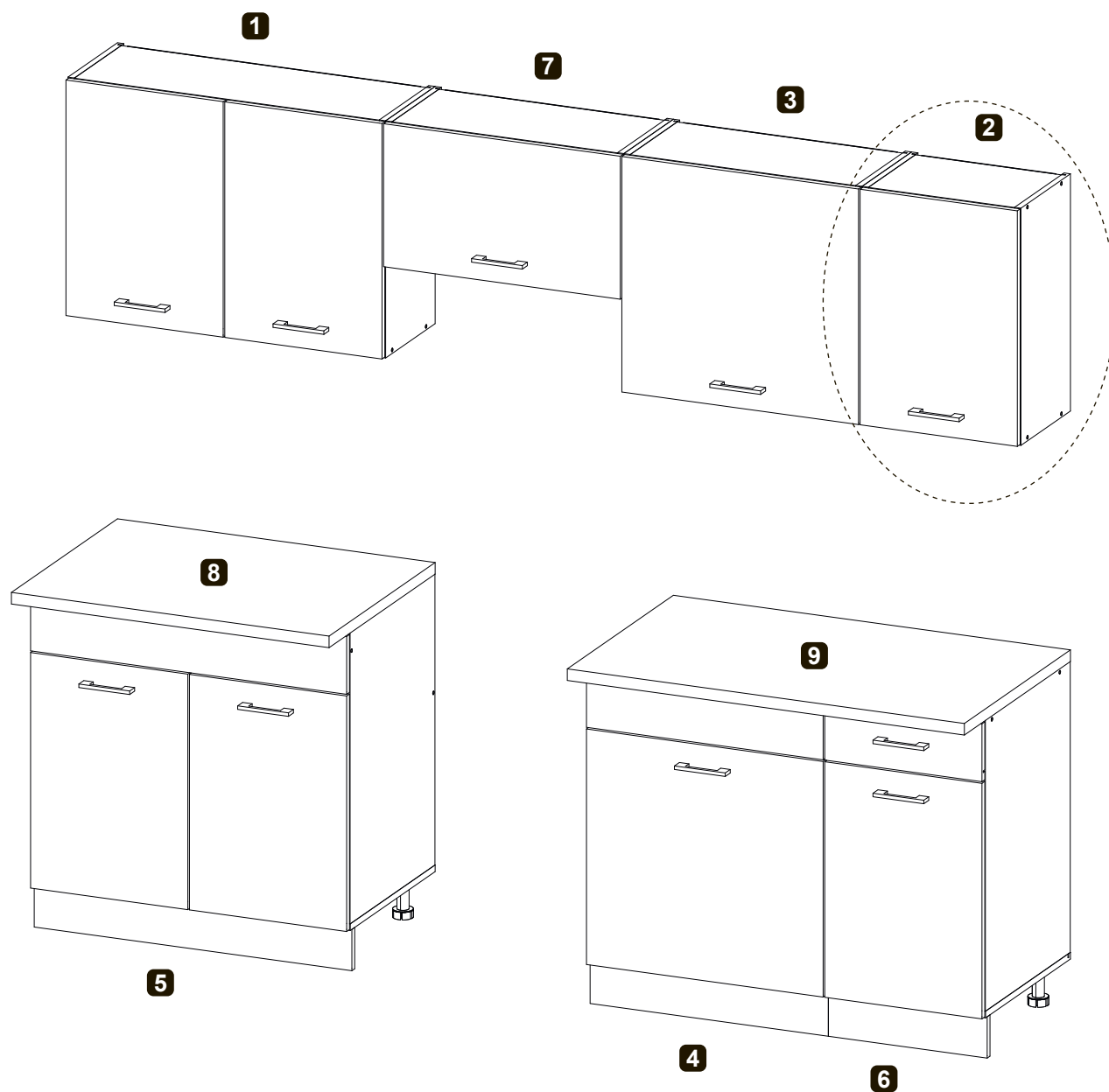
ESPERO Worktop 80



A	B (mm)	C	D
1	800	28	x1

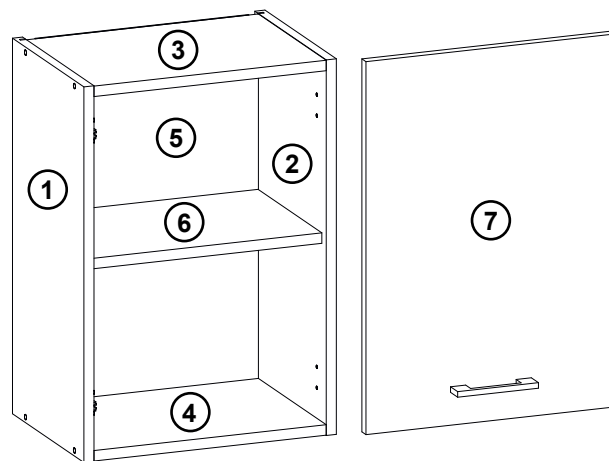
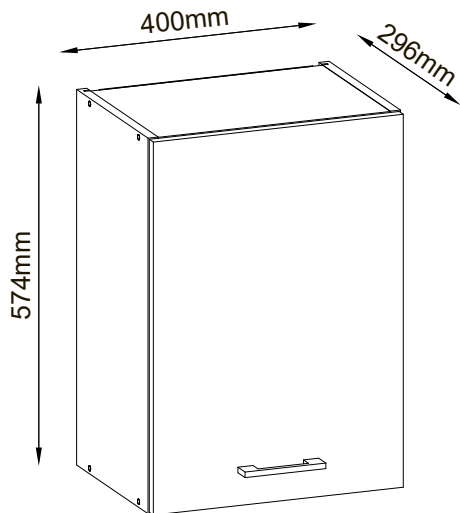


ESPERO 240



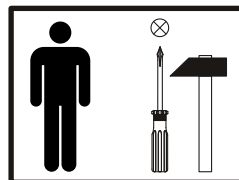
- 1** W80/57
- 2** W40/57
- 3** W60/57
- 4** D60Z
- 5** D80Z
- 6** D40S1
- 7** Wo60/35
- 8** Worktop 80
- 9** Worktop 100

ESPERO W40_57

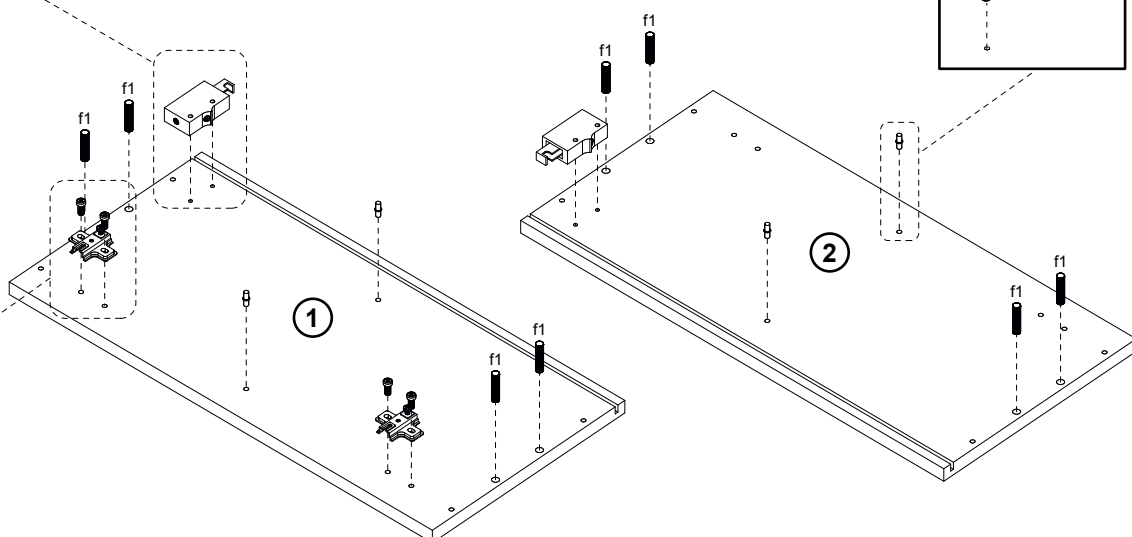
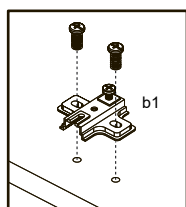
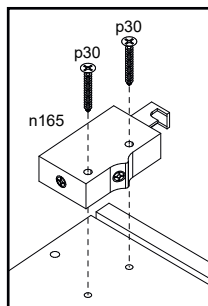
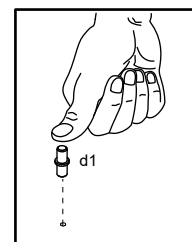
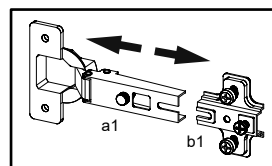


1x 4mm z1	8x Ø 6,3x50mm e27	8x Ø 12mm s3
8x Ø 8x30mm f1	2x Ø 35mm ab1	4x Ø 5mm d1
2x n165	1x L=96/128mm c238	5x 10x10x15mm l2
5x Ø 2x20mm g1	4x Ø 3,5x16mm p51	2x Ø 4x25mm p26
	4x Ø 4x30 mm p30	

	A	B (mm)		C	D
1	574	280	16	x1	2/10
2	574	280	16	x1	2/10
3	368	266	16	x1	2/10
4	368	280	16	x1	2/10
5	564	382	2.5	x1	2/10
6	367	250	16	x1	2/10
7	570	396	16	x1	9/10



1	n165 x 2 	p30 x 4 Ø 4x30mm	d1 x 4 Ø 5mm	b1 x 2 40x50x12mm	f1 x 8 Ø 8x30mm
----------	--------------	-------------------------	---------------------	--------------------------	------------------------



2	z1 x 1 4mm	e27 x 8 Ø 6,3x50mm	s3 x 8 Ø 12mm
----------	---------------	-----------------------	------------------

e27	s3
-----	----

z1	e27
----	-----

3	g1 x 5 Ø 2x20mm	l2 x 5 10x10x15mm
----------	--------------------	----------------------

!
XX=YY=90°

4	a1 x 2 Ø 35mm	p51 x 4 Ø 3,5x16mm	c238 x 1 L=96/128mm	p26 x 2 Ø 4x25mm
----------	------------------	-----------------------	------------------------	---------------------

L

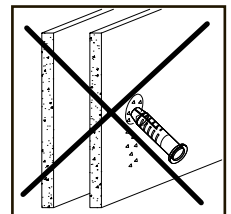
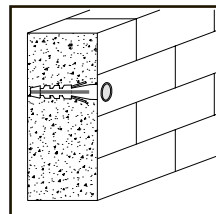
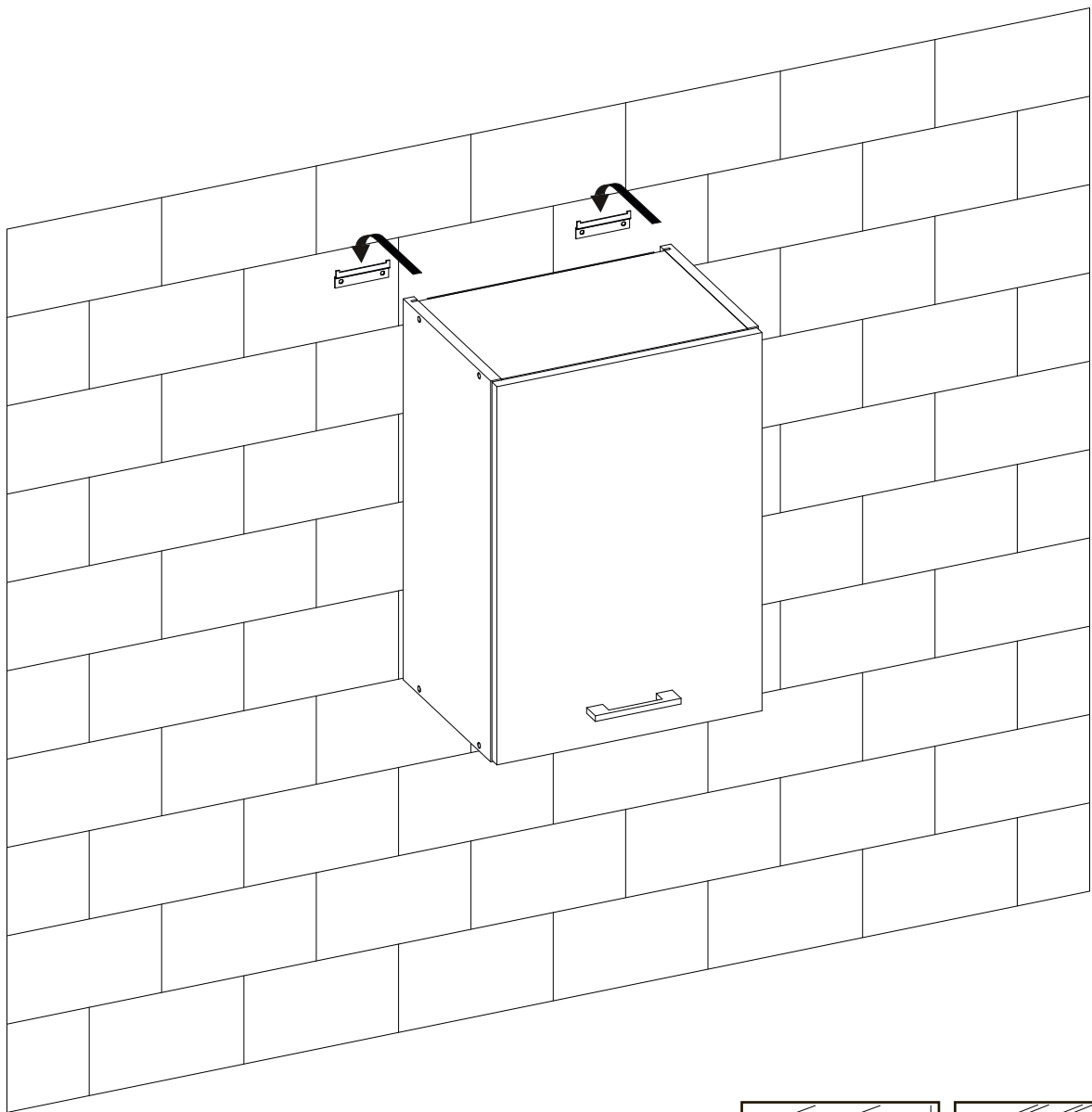
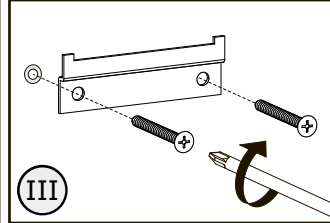
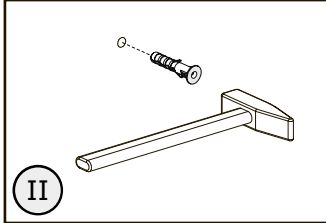
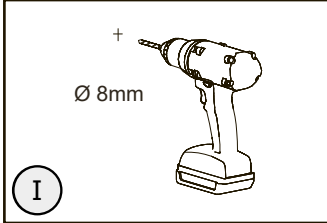
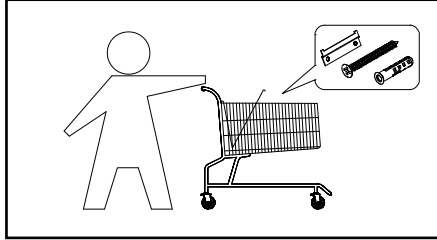
5	a1	b1
----------	----	----

L

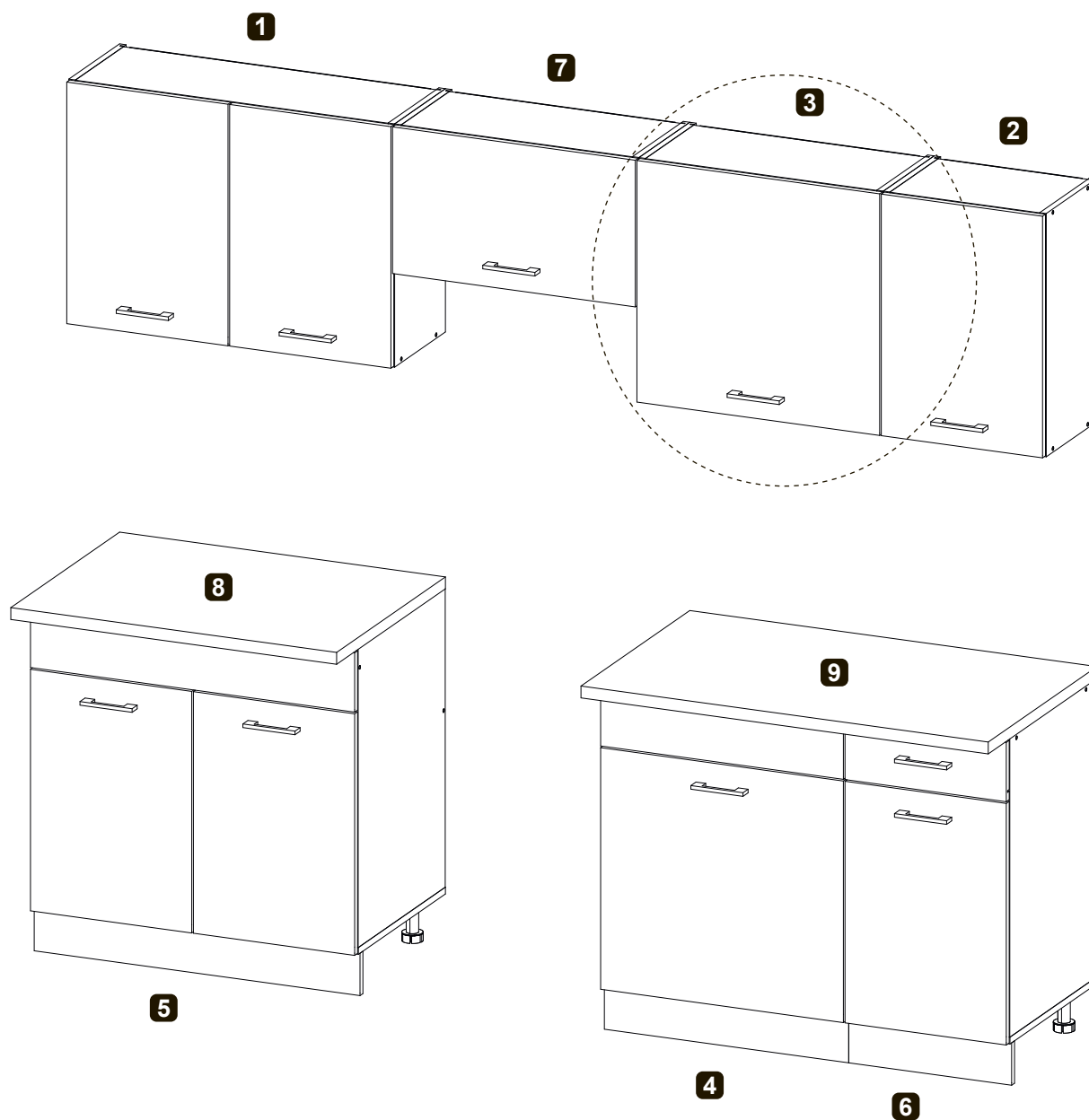
R

R

6

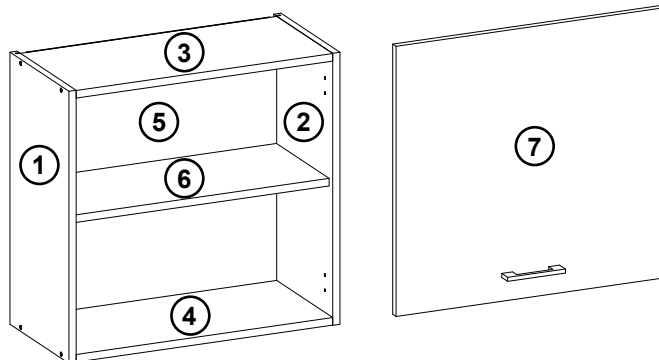
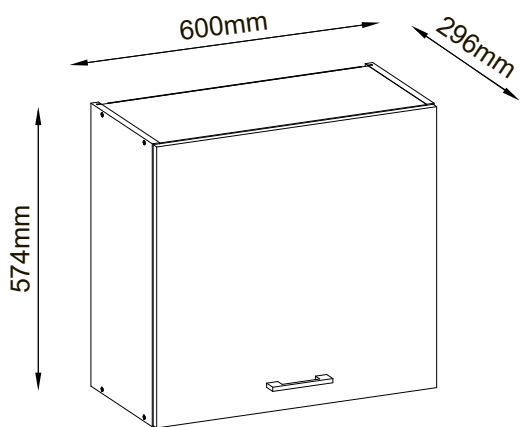


ESPERO 240



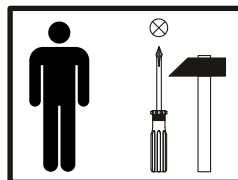
- 1** W80/57
- 2** W40/57
- 3** W60/57
- 4** D60Z
- 5** D80Z
- 6** D40S1
- 7** Wo60/35
- 8** Worktop 80
- 9** Worktop 100

ESPERO W60_57

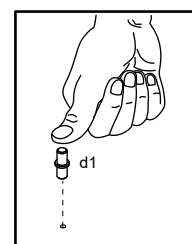
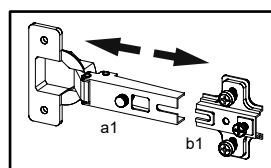
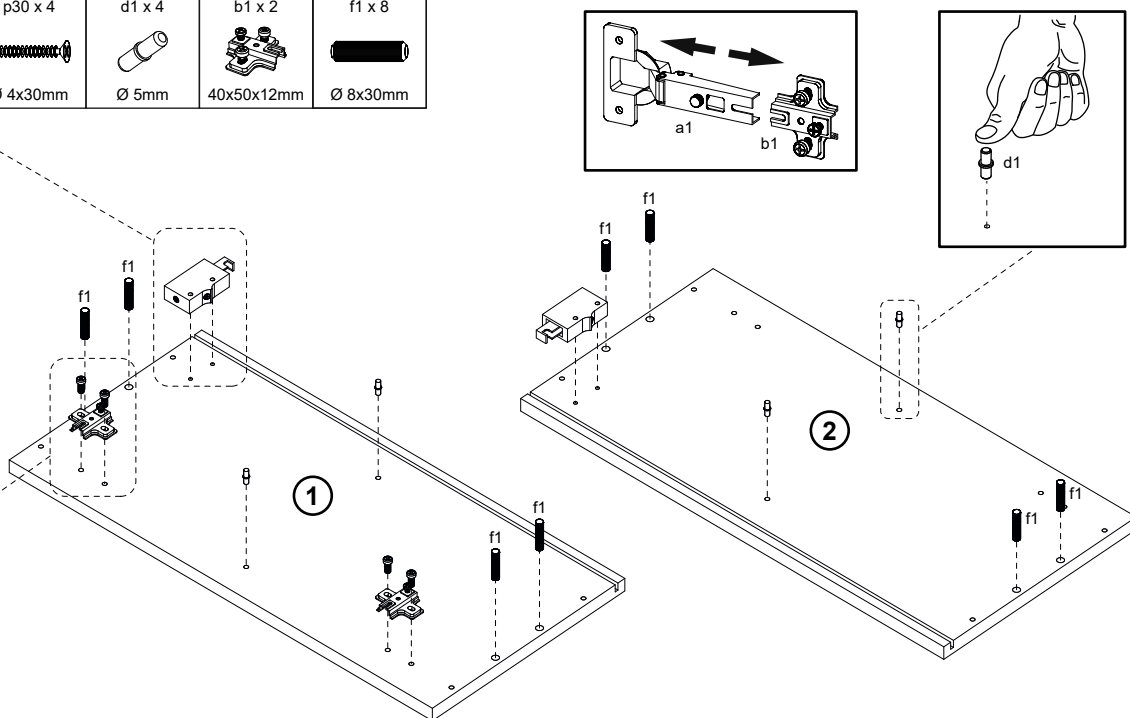
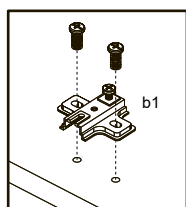
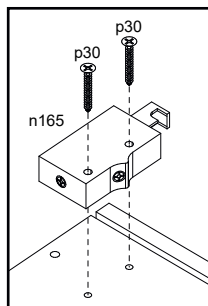


1x 4mm z1	8x Ø 6,3x50mm e27	8x Ø 12mm s3
8x Ø 8x30mm f1	2x Ø 35mm ab1	4x Ø 5mm d1
2x n165	1x L=96/128mm c238	5x 10x10x15mm l2
5x Ø 2x20mm g1	4x Ø 3,5x16mm p51	2x Ø 4x25mm p26
	4x Ø 4x30 mm p30	

A	B (mm)		C	D
1	574	280	16	x1 3/10
2	574	280	16	x1 3/10
3	568	266	16	x1 3/10
4	568	280	16	x1 3/10
5	582	564	2.5	x1 3/10
6	567	250	16	x1 3/10
7	570	596	16	x1 10/10



1	n165 x 2 	p30 x 4 Ø 4x30mm	d1 x 4 Ø 5mm	b1 x 2 40x50x12mm	f1 x 8 Ø 8x30mm
----------	--------------	-------------------------	---------------------	--------------------------	------------------------



2

z1 x 1	e27 x 8	s3 x 8
4mm	Ø 6,3x50mm	Ø 12mm

e27
s3

z1
e27

3

g1 x 5	l2 x 5
Ø 2x20mm	10x10x15mm

l2

XX=YY=90°

4

a1 x 2	p51 x 4	c238 x 1	p26 x 2
Ø 35mm	Ø 3,5x16mm	L=96/128mm	Ø 4x25mm

a1
p51

c238
p26

5

a1

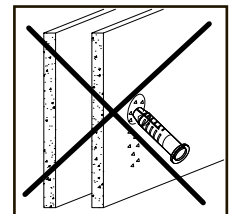
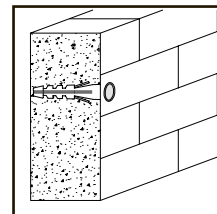
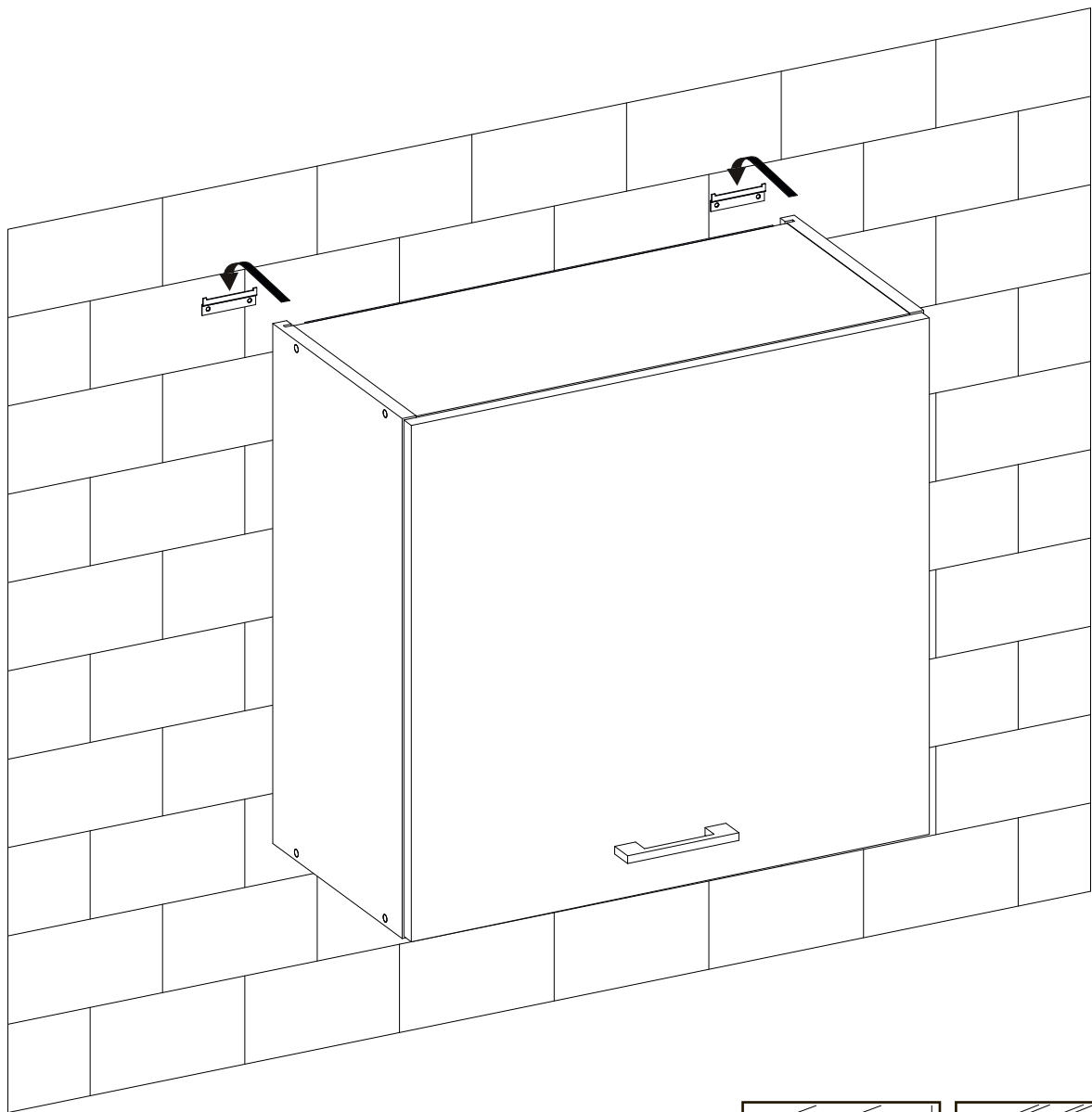
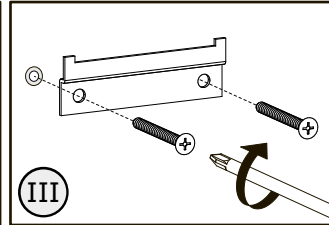
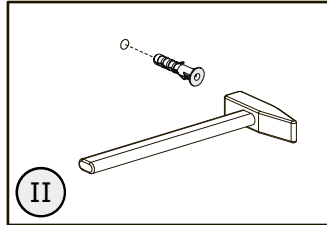
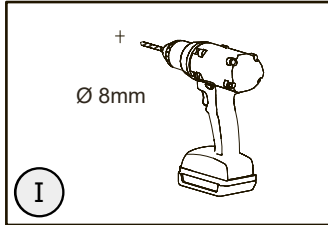
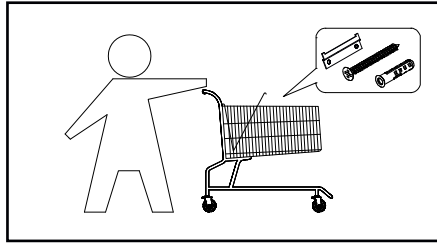
b1

a1
p51

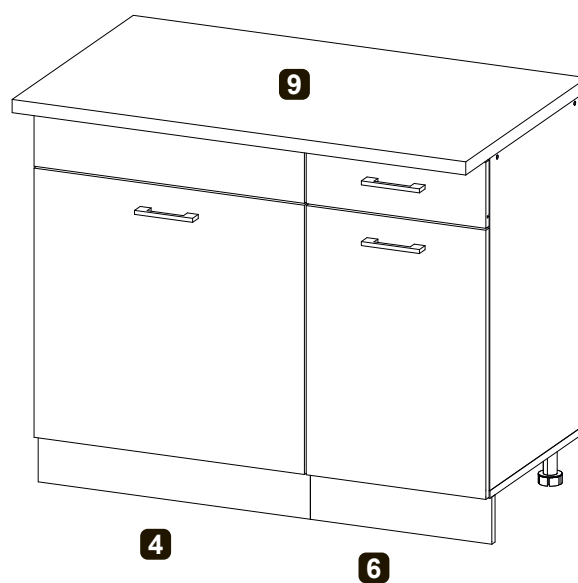
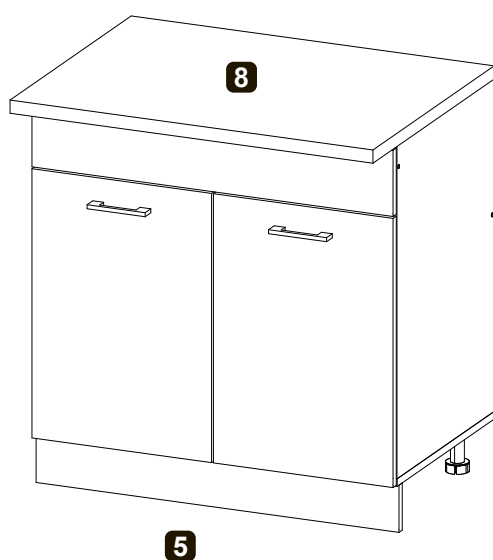
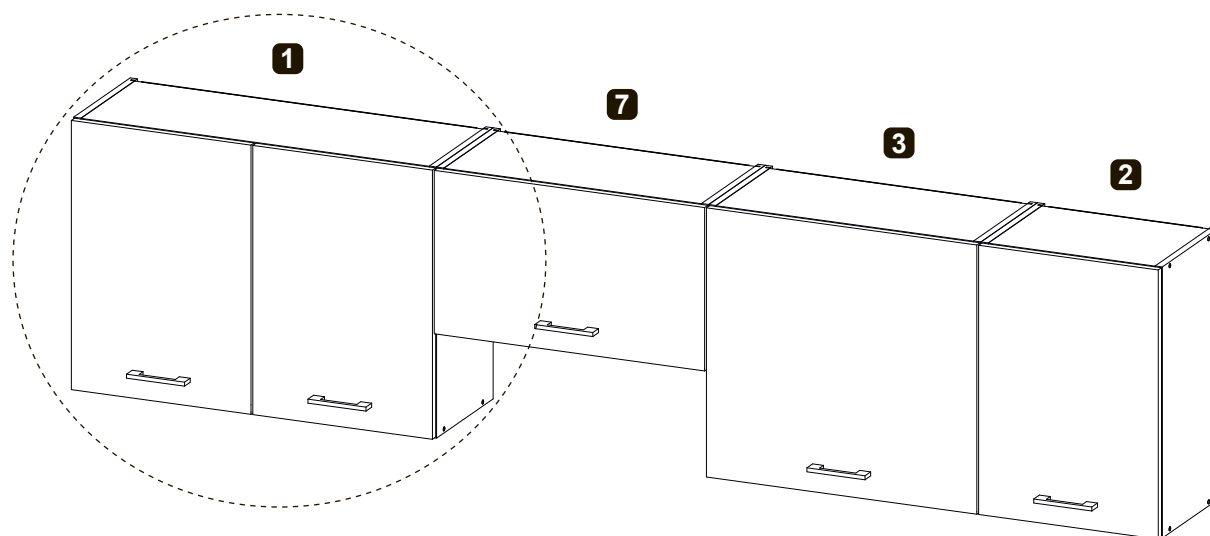
a1
p51

a1
p51

6

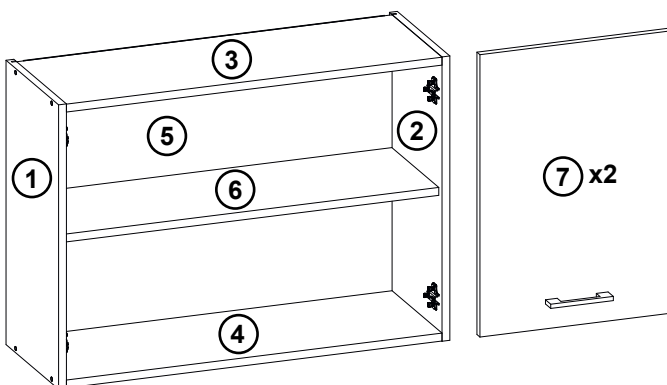
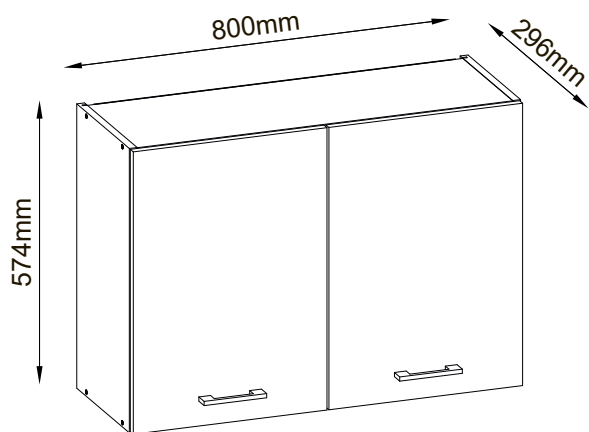


ESPERO 240



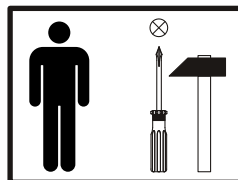
- 1** W80/57
- 2** W40/57
- 3** W60/57
- 4** D60Z
- 5** D80Z
- 6** D40S1
- 7** Wo60/35
- 8** Worktop 80
- 9** Worktop 100

ESPERO W80_57

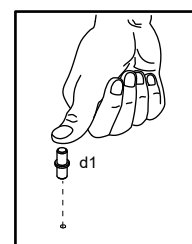
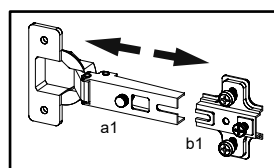
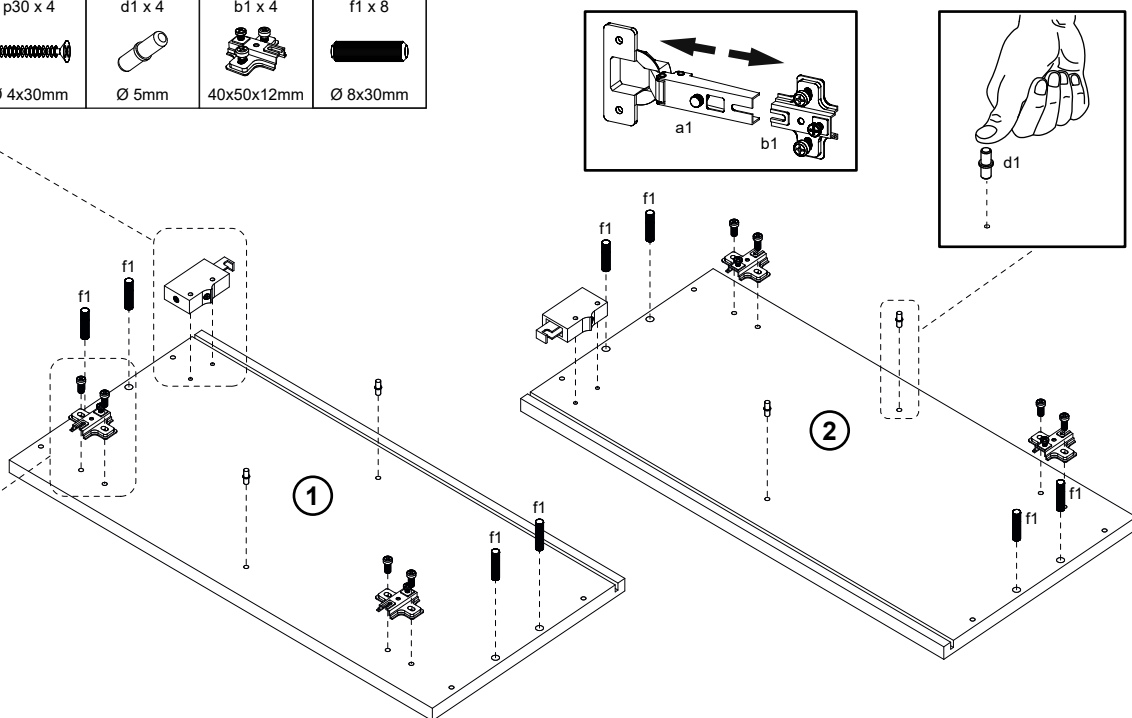
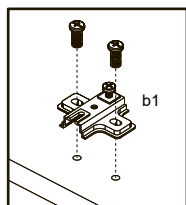
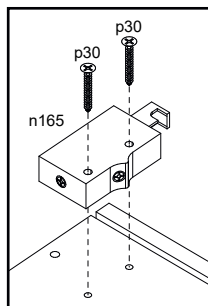


1x 4mm z1	8x Ø 6,3x50mm e27	8x Ø 12mm s3
8x Ø 8x30mm f1	4x Ø 35mm ab1	4x Ø 5mm d1
2x n165	2x L=96/128mm c238	6x 10x10x15mm l2
8x Ø 2x20mm g1	8x Ø 3,5x16mm p51	4x Ø 4x25mm p26
	4x Ø 4x30 mm p30	

A	B (mm)		C	D
1	574	280	16	x1 1/10
2	574	280	16	x1 1/10
3	768	266	16	x1 1/10
4	768	280	16	x1 1/10
5	782	560	2.5	x1 1/10
6	767	250	16	x1 1/10
7	570	396	16	x2 9/10



1	n165 x 2 	p30 x 4 Ø 4x30mm	d1 x 4 Ø 5mm	b1 x 4 40x50x12mm	f1 x 8 Ø 8x30mm
----------	--------------	-------------------------	---------------------	--------------------------	------------------------



2

z1 x 1 4mm	e27 x 8 Ø 6,3x50mm	s3 x 8 Ø 12mm
---------------	-----------------------	------------------

z1
e27
s3

3

g1 x 8 Ø 2x20mm	l2 x 6 10x10x15mm
--------------------	----------------------

g1
8mm
l2
XX=YY=90°

4

a1 x 4 Ø 35mm	p51 x 8 Ø 3,5x16mm	c238 x 2 L=96/128mm	p26 x 4 Ø 4x25mm
------------------	-----------------------	------------------------	---------------------

a1
p51
c238
p26
7

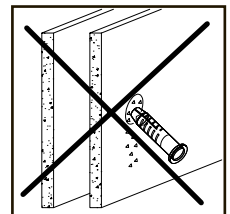
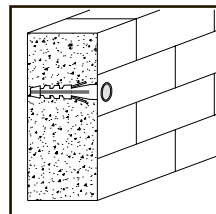
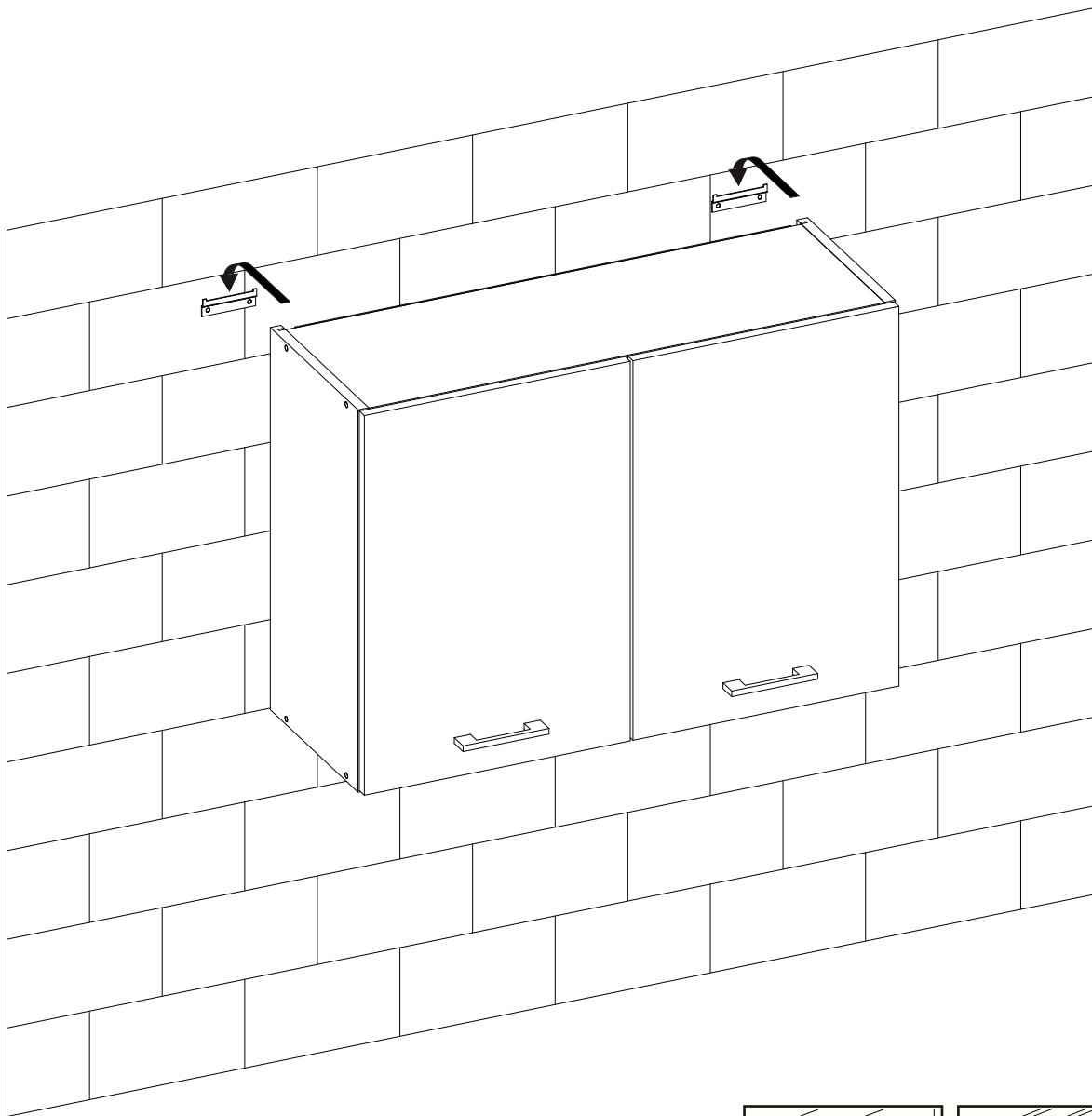
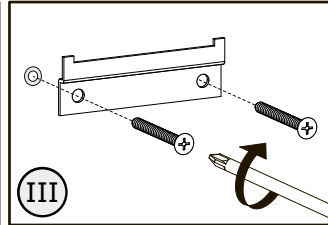
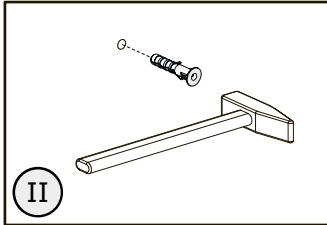
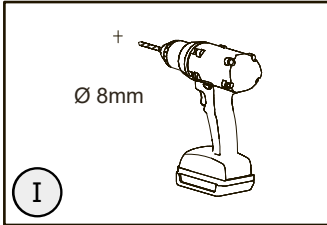
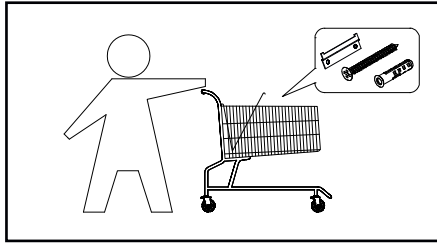
Ø5
7

5

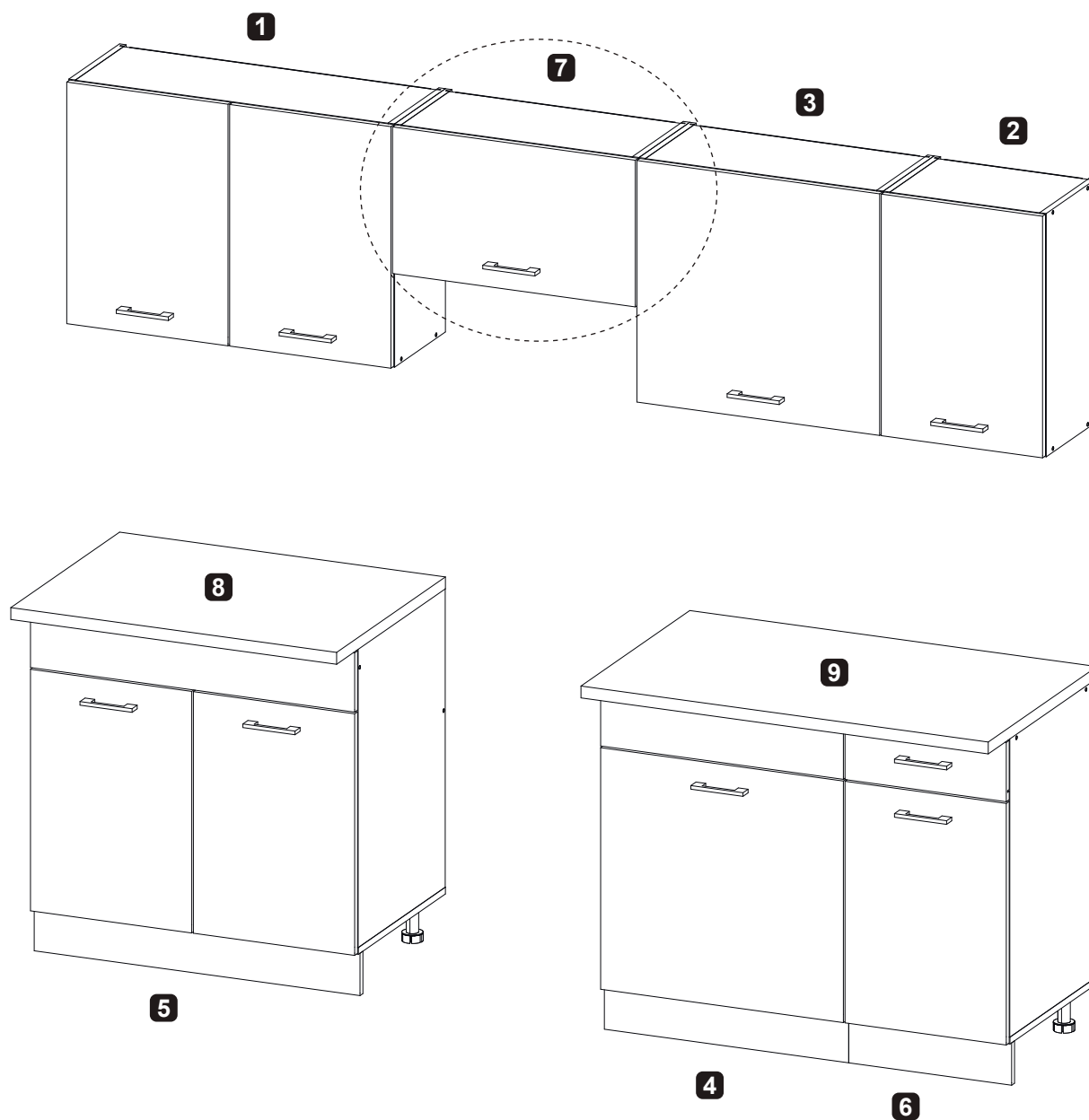
6
7

a1
b1
7

6

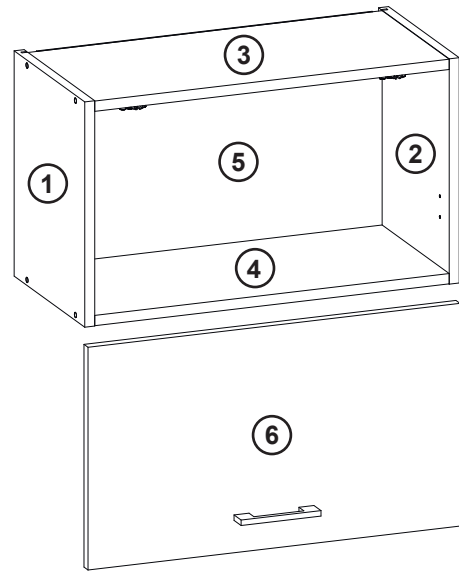
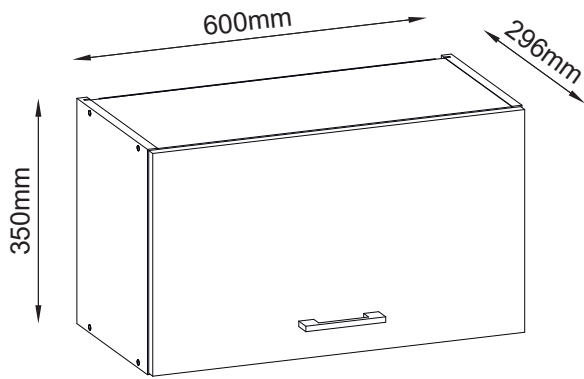


ESPERO 240



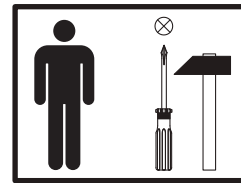
- 1** W80/57
- 2** W40/57
- 3** W60/57
- 4** D60Z
- 5** D80Z
- 6** D40S1
- 7** Wo60/35
- 8** Worktop 80
- 9** Worktop 100

ESPERO Wo60_35

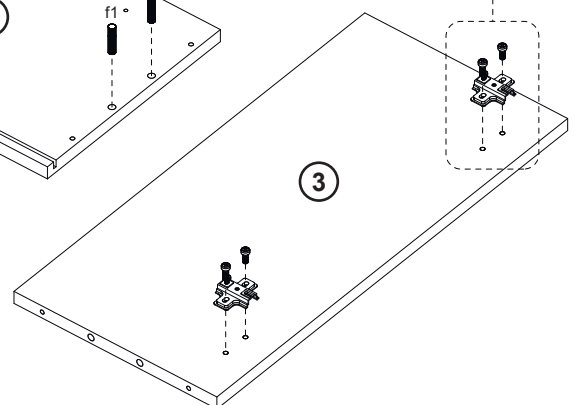
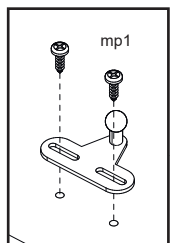
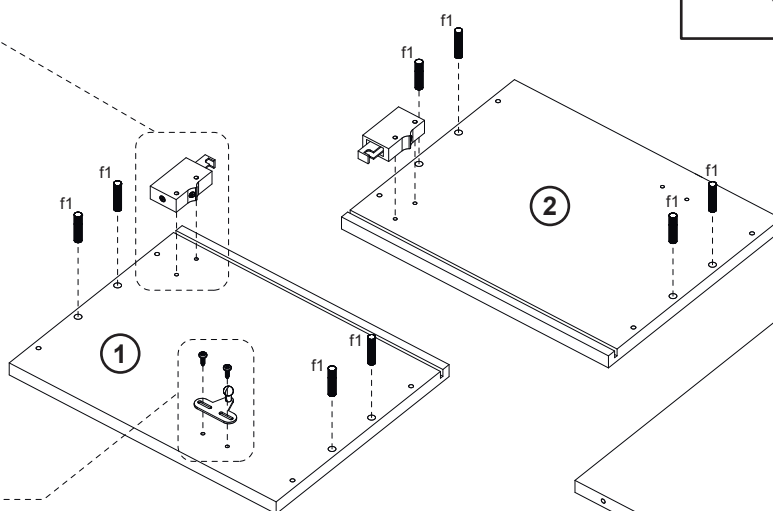
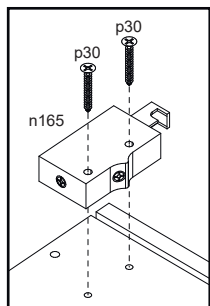
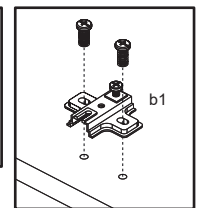
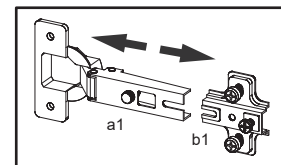


1x 4mm z1	8x Ø 6,3x50mm e27	8x Ø 12mm s3
8x Ø 8x30mm f1	2x Ø 35mm ab1	1x x4 mp
2x n165	1x L=96/128mm c238	4x 10x10x15mm l2
6x Ø 2x20mm g1	4x Ø 3,5x16mm p51	2x Ø 4x25mm p26
	4x Ø 4x30 mm p30	

A	B (mm)		C	D
1	350	280	16	x1 7/10
2	350	280	16	x1 7/10
3	568	266	16	x1 7/10
4	568	280	16	x1 7/10
5	582	340	2.5	x1 7/10
6	596	346	16	x1 9/10



1	n165 x 2 	p30 x 4 Ø 4x30mm 	mp1 x 1 x2 	b1 x 2 40x50x12mm 	f1 x 8 Ø 8x30mm
----------	--------------	-------------------------	-------------------	--------------------------	------------------------



2	z1 x 1 4mm	e27 x 8 Ø 6,3x50mm	s3 x 8 Ø 12mm
----------	---------------	-----------------------	------------------

Diagram illustrating the assembly of the side panels (2 and 4) to the main frame (5). The side panels are attached using screws (z1) and a spring (e27) through pre-drilled holes (s3).

3	g1 x 6 Ø 2x20mm	l2 x 4 10x10x15mm
----------	--------------------	----------------------

Diagram illustrating the assembly of the top panel (6) to the side panels. The top panel is attached using screws (g1) and corner brackets (l2). A warning symbol indicates that the assembly should be square ($XX=YY=90^\circ$).

4	a1 x 2 Ø 35mm	p51 x 4 Ø 3,5x16mm	c238 x 1 L=96/128mm	p26 x 2 Ø 4x25mm	mp2 x 1 x2
----------	------------------	-----------------------	------------------------	---------------------	---------------

L

Diagram illustrating the assembly of the bottom panel (6) to the side panels. The bottom panel is attached using brackets (a1), screws (p51), a support rail (c238), and screws (p26). The bottom panel is secured with a hole of diameter $\varnothing 5$.

5	mp3 x 1
----------	---------

L

Diagram illustrating the assembly of the handle (6) to the side panels. The handle is attached using brackets (a1) and screws (b1).

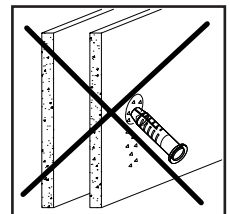
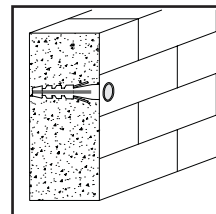
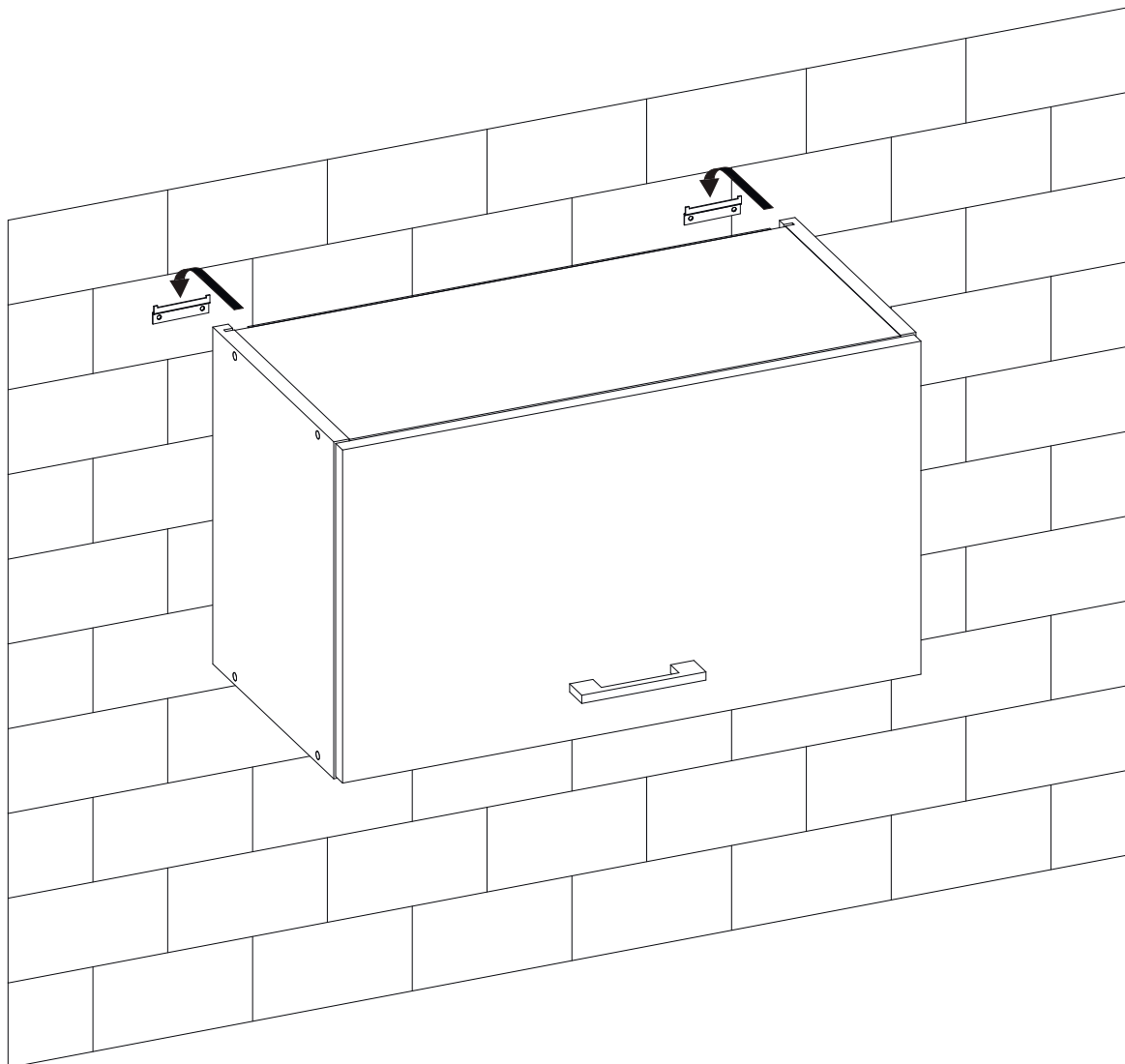
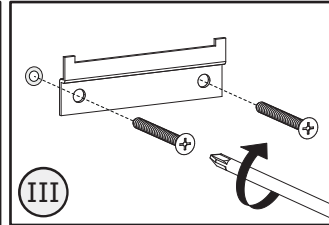
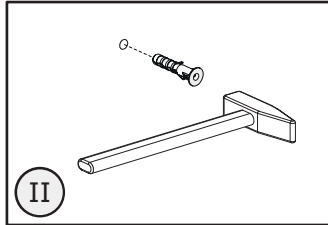
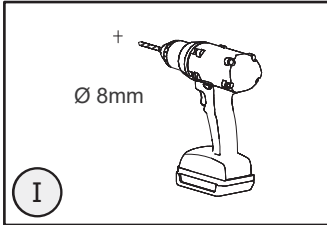
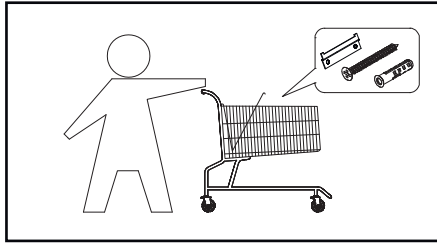
R

Diagram illustrating the final assembly of the bottom panel (6) to the side panels.

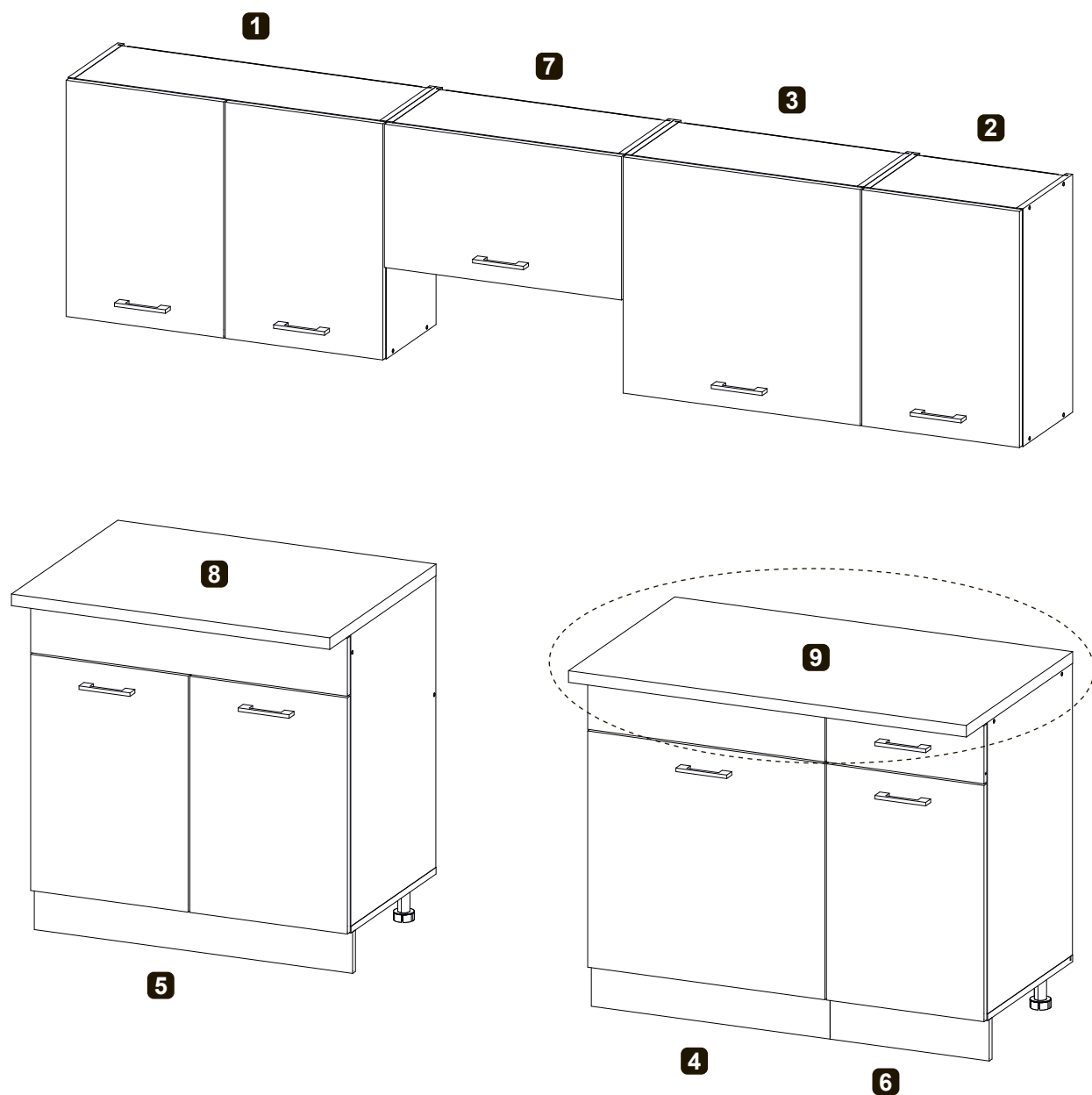
R

Diagram illustrating the final assembly of the handle (6) to the side panels.

6

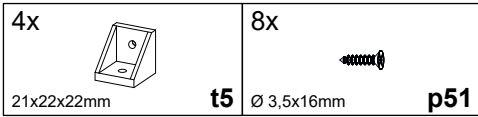
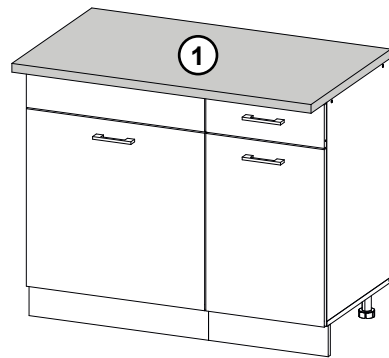
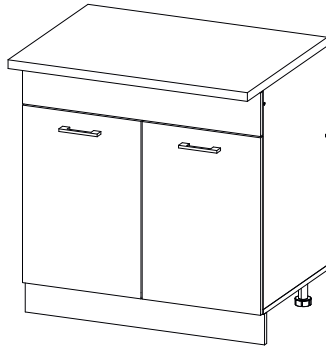
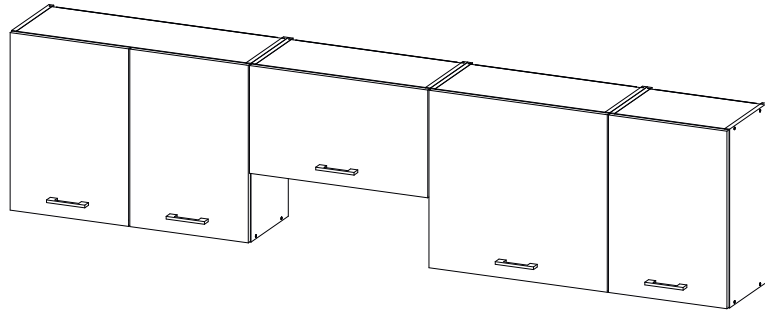
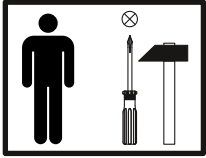


ESPERO 240



- 1** W80/57
- 2** W40/57
- 3** W60/57
- 4** D60Z
- 5** D80Z
- 6** D40S1
- 7** Wo60/35
- 8** Worktop 80
- 9** Worktop 100

ESPERO Worktop 100



A	B (mm)	C	D
1	1000	28	8/10

