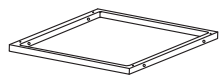
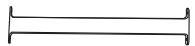


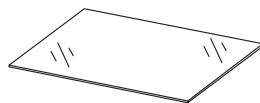
A x2



B x1



C x1



D x1



M6\*18

E x4



M6\*30

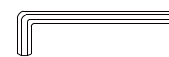
F x4



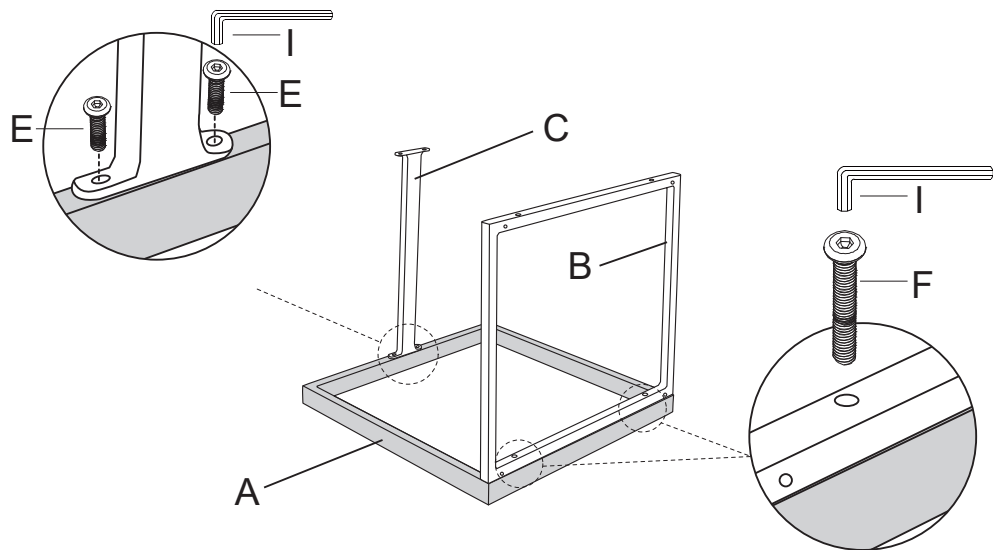
G x4



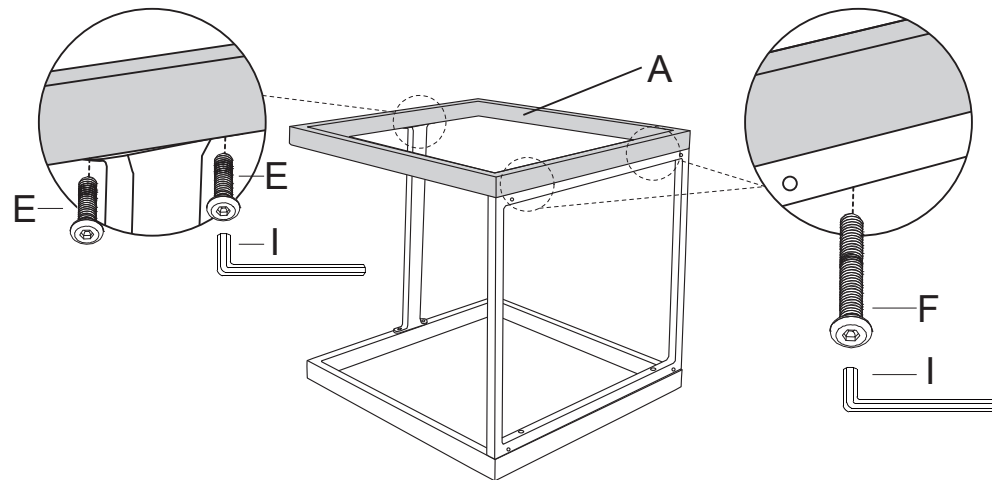
H x4



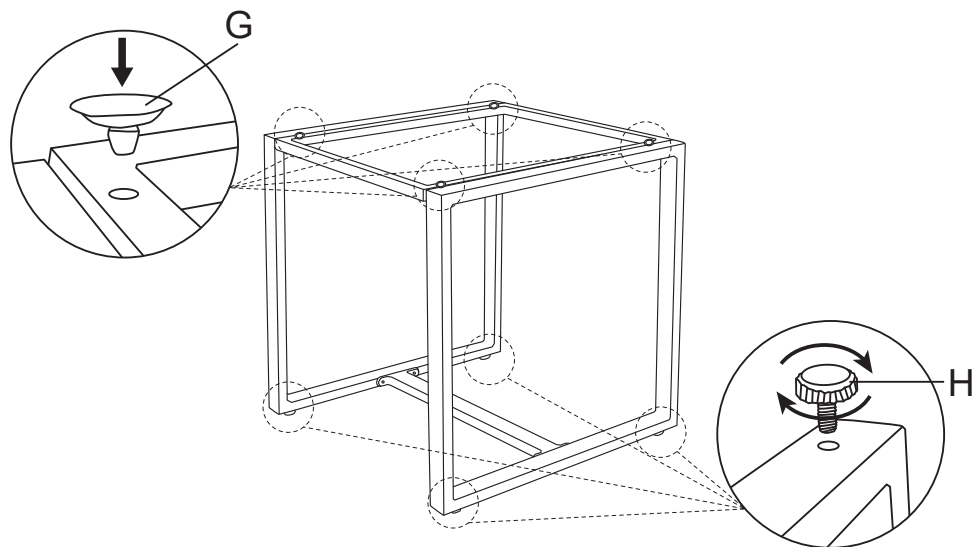
I x1



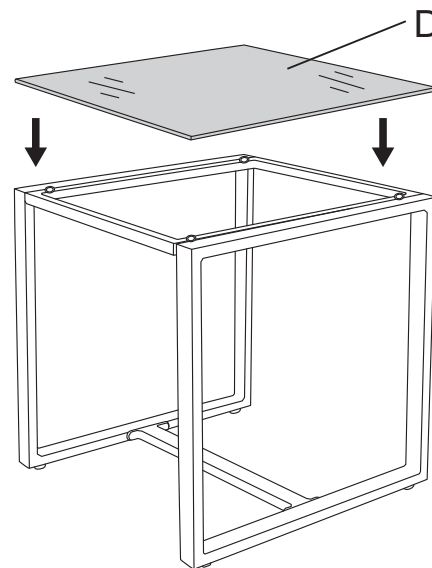
1



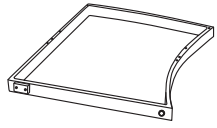
2



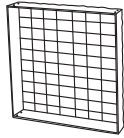
3



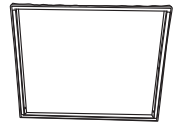
4



J x2



K x1



L x1



M x1



M6\*18

Ex8



M6\*30

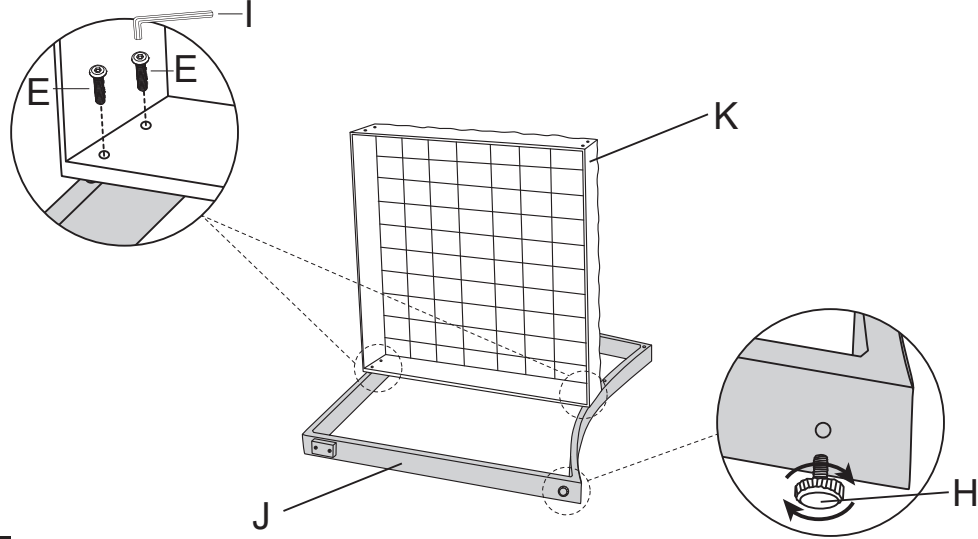
F x4



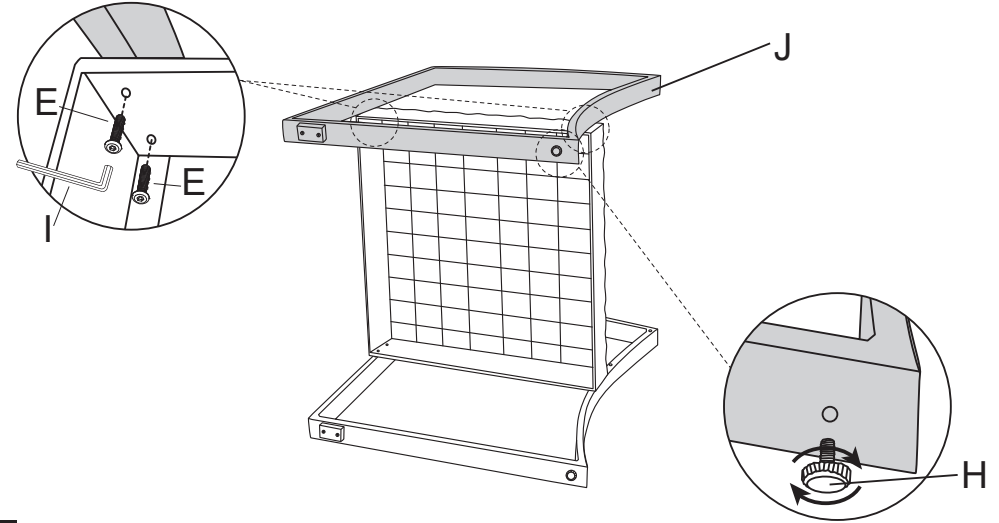
H x2



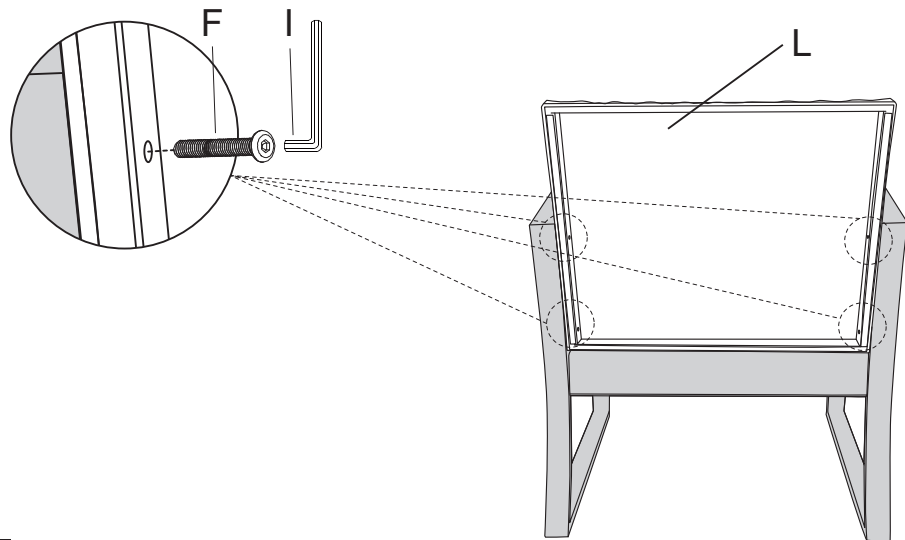
I x1



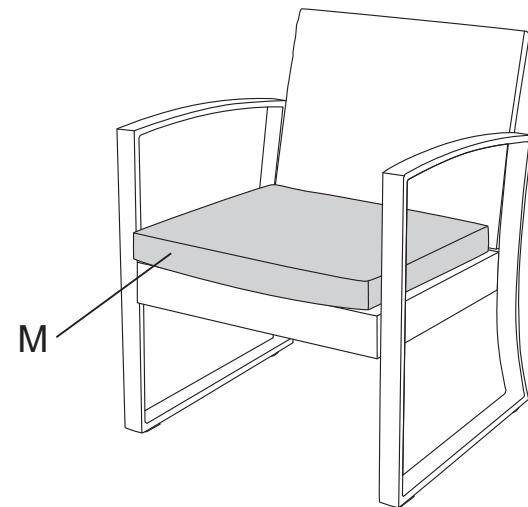
1



2



3



4