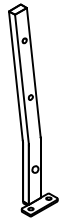
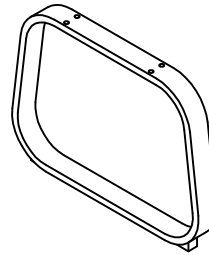
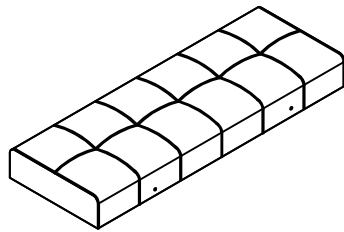
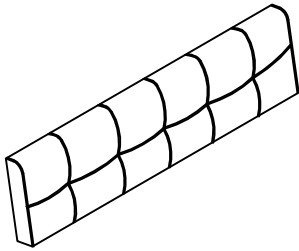


1

2

3

4



| | |
|---|----|
| 1 | 1x |
| 2 | 1x |
| 3 | 2x |
| 4 | 2x |



1/1

A

M8*35



12X

B

M8*18



4X

C

M8*40



2X

D

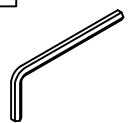
Ø18*Ø8*1.5



18X

E

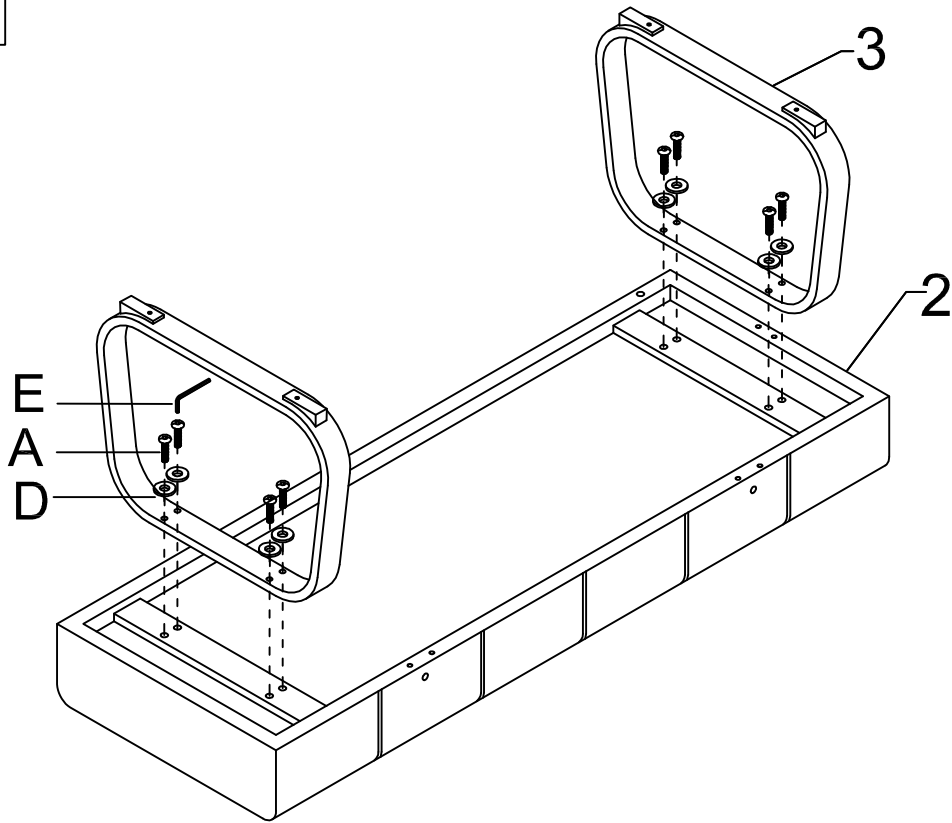
5mm

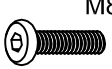





1X

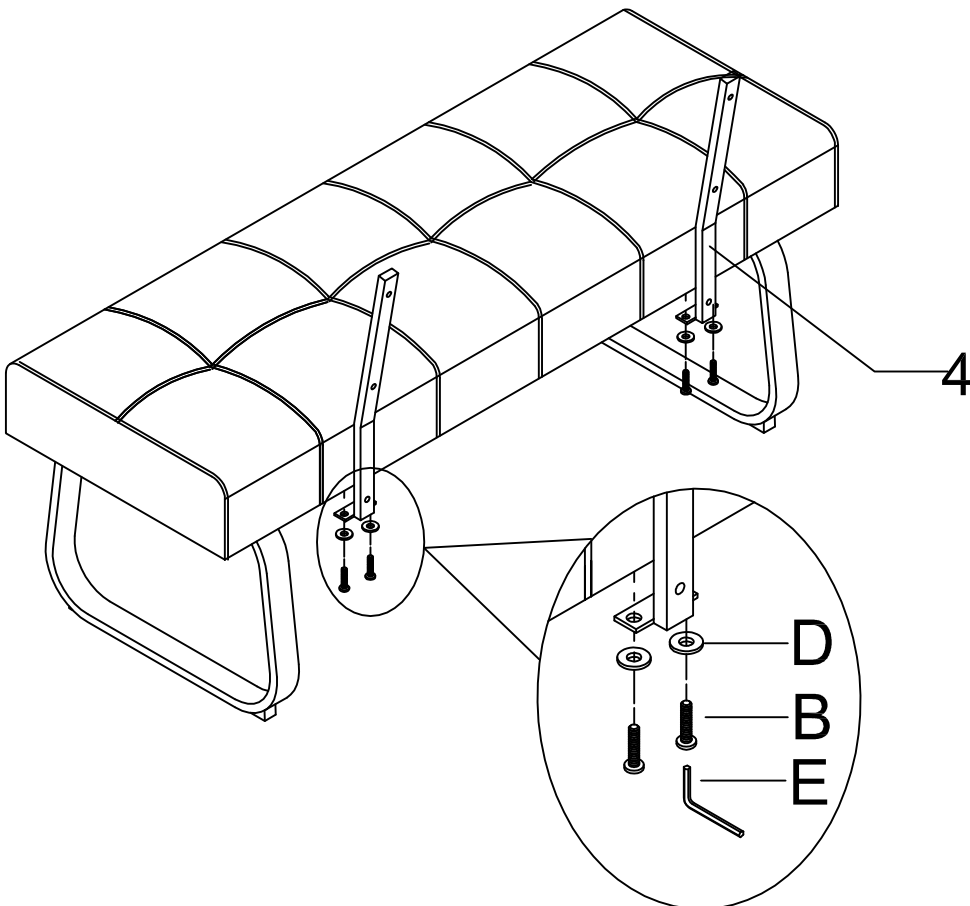
I.

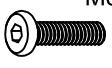


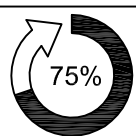
1.



| | |
|---|---|
| A |  M8*35 8X |
| D |  Ø18*Ø8*1.5 8X |
| E |  5mm 1X |
| |  100% |

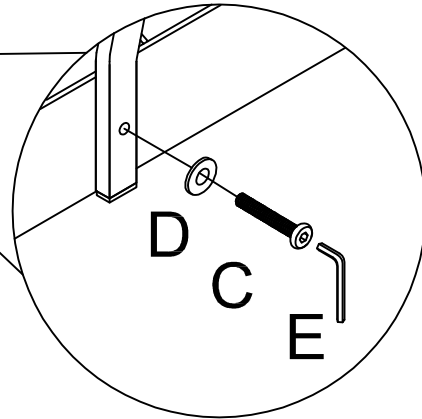
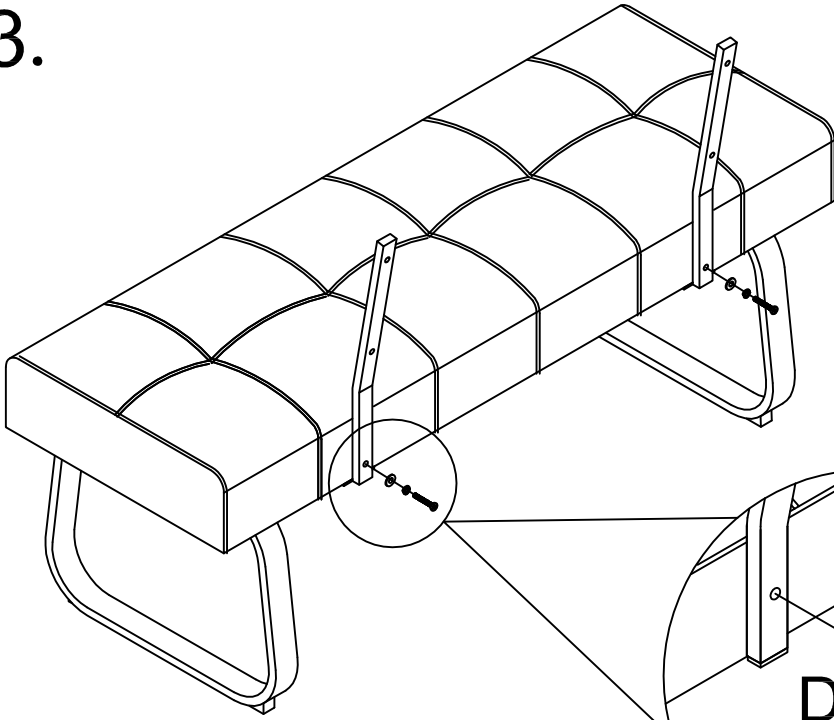
2.




| | |
|---|---|
| B |  M8*18 4X |
| D |  Ø18*Ø8*1.5 4X |
| E |  5mm 1X |
| |  75% |

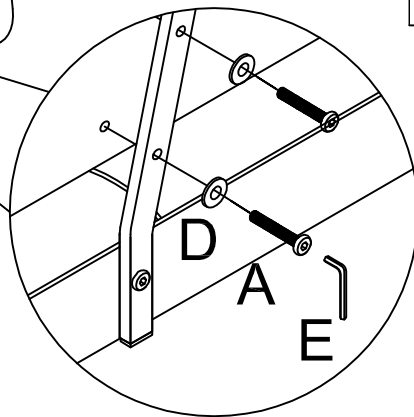
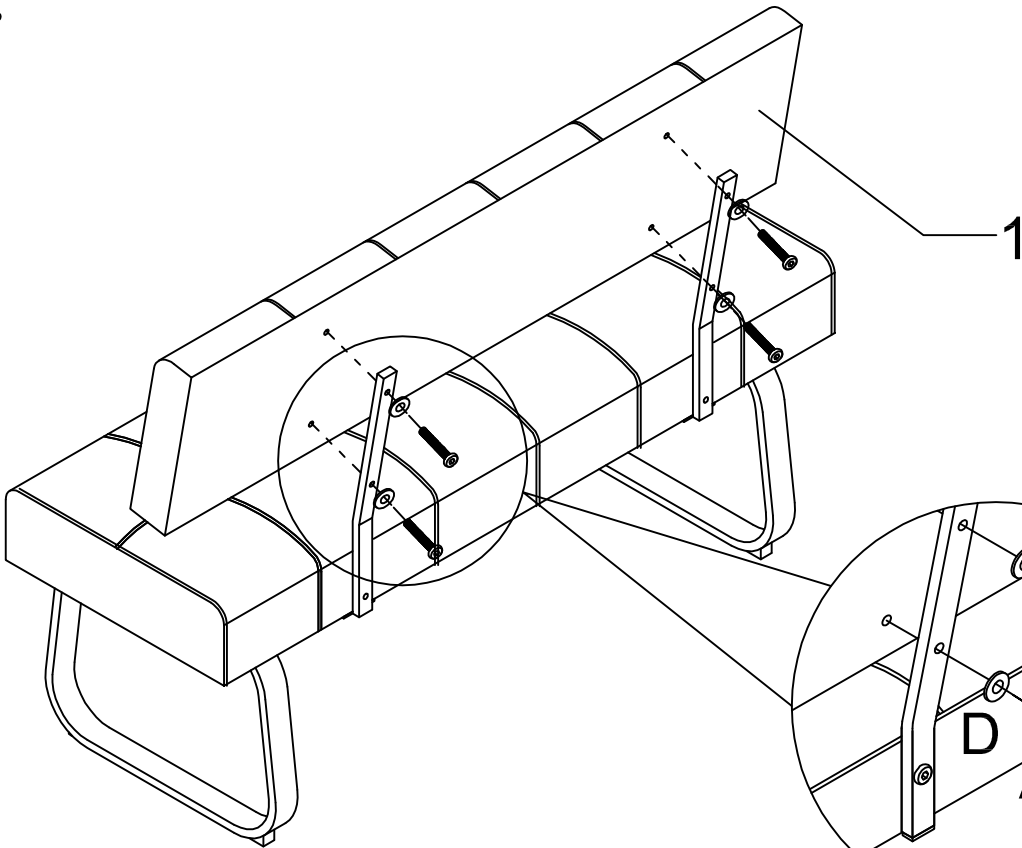
II.


3.



- C** M8*40
2X
- D** Ø18*Ø8*1.5
2X
- E** 5mm
1X
- 

4.

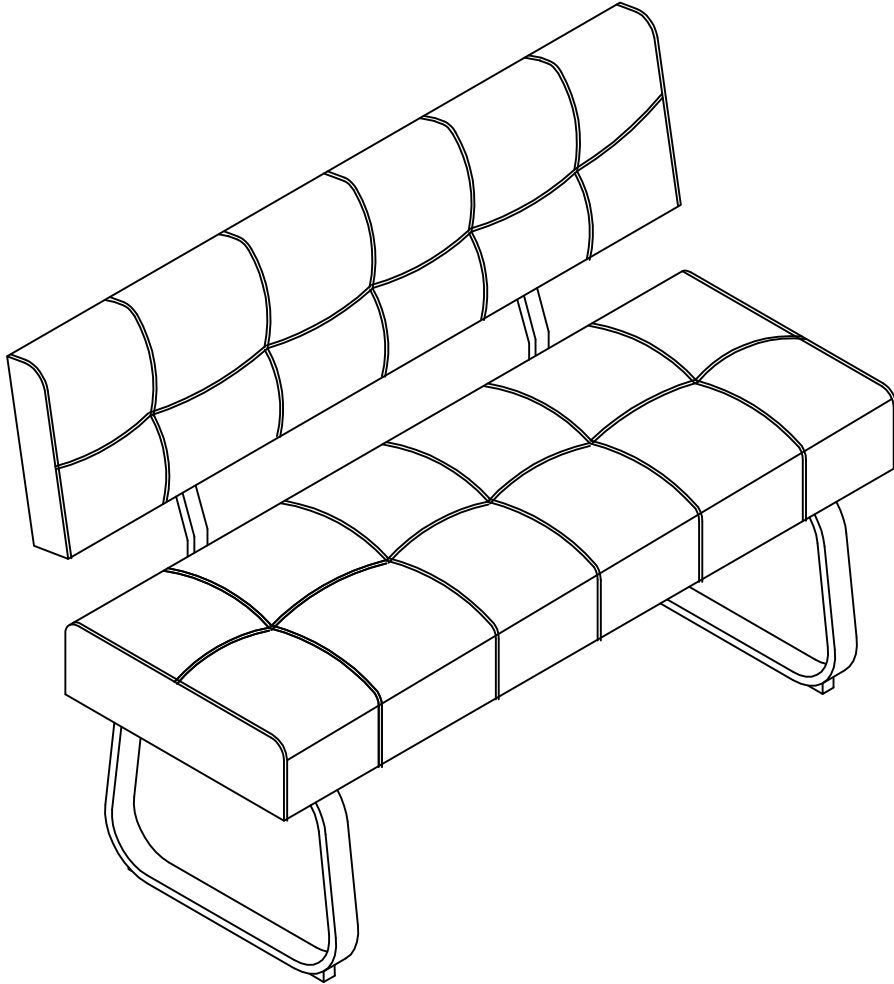


- A** M8*35
4X
- D** Ø18*Ø8*1.5
4X
- E** 5mm
1X
- 

III.

5.

E 5mm
1X



Séparez les éléments avant de trier