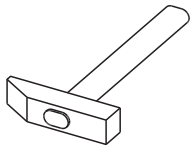
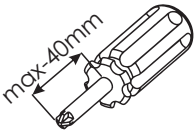
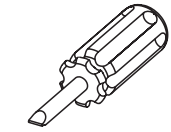
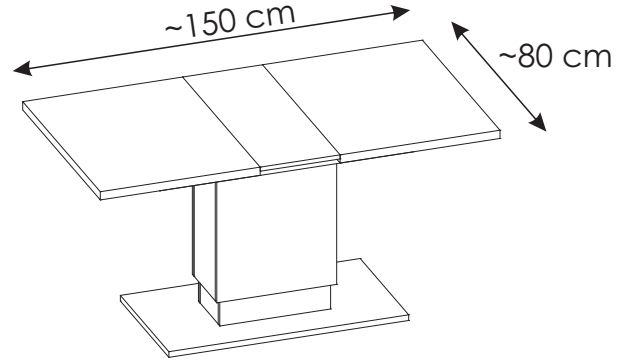
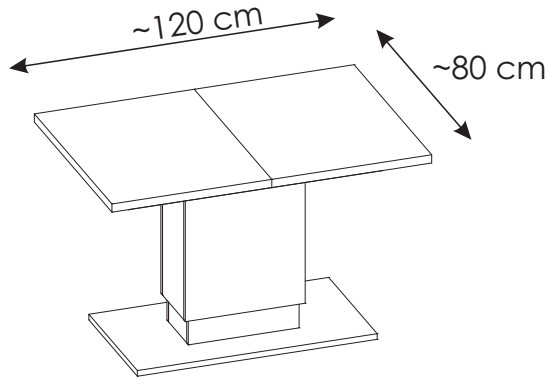
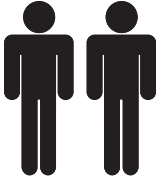
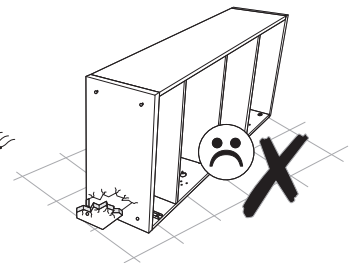
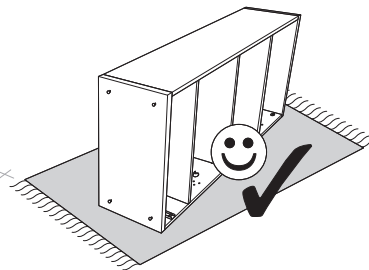
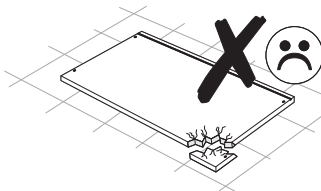
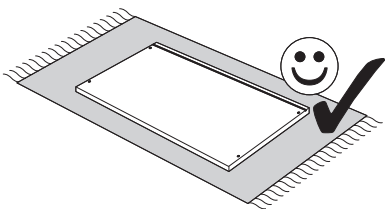
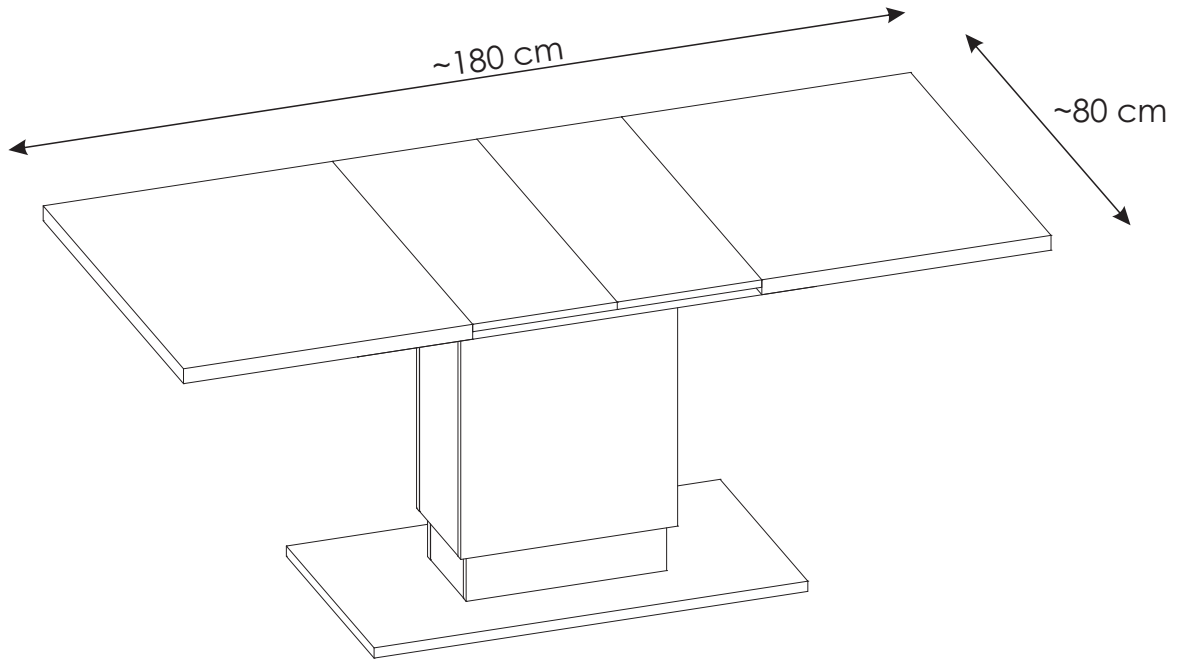
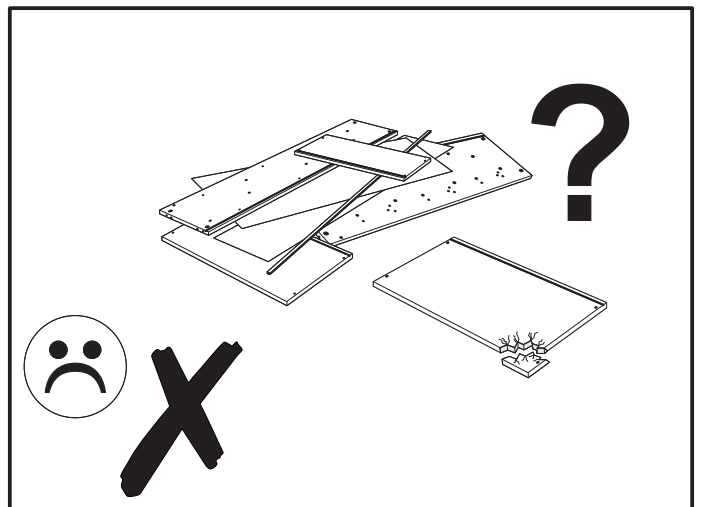
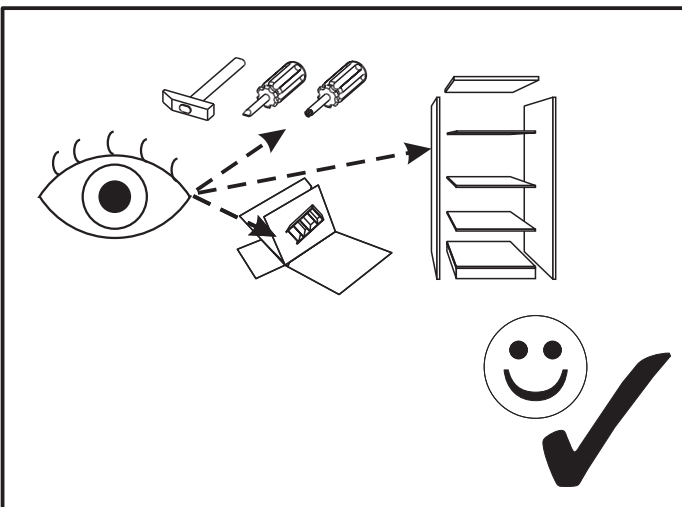
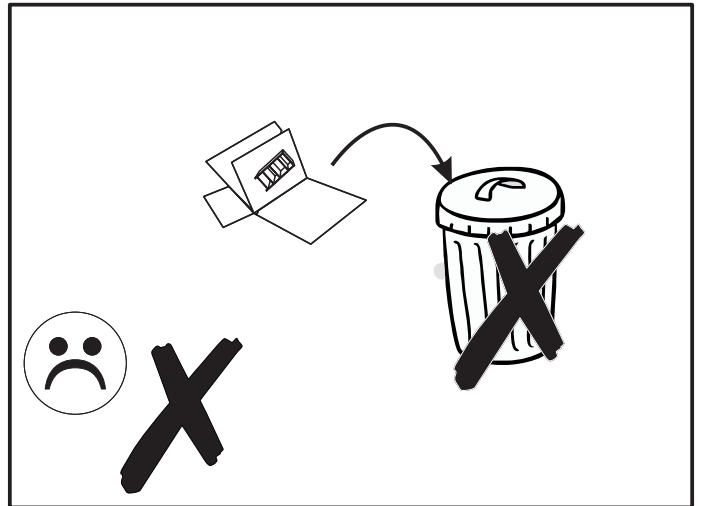
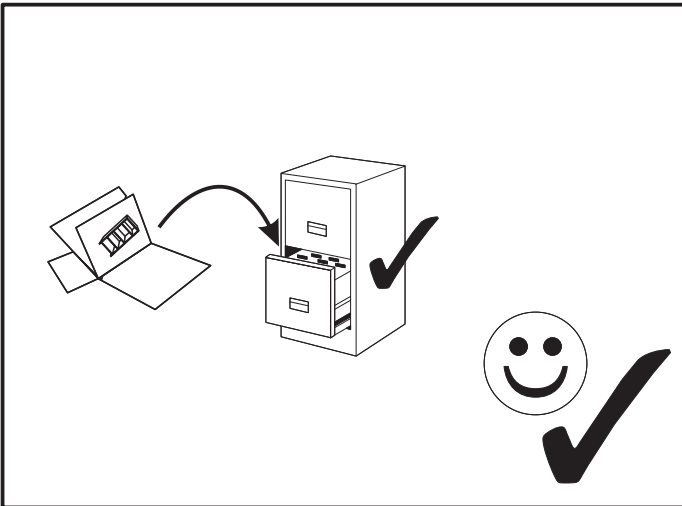
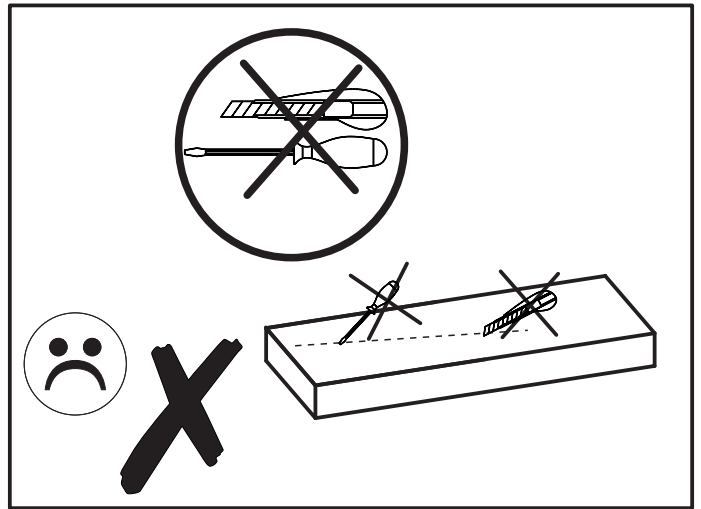
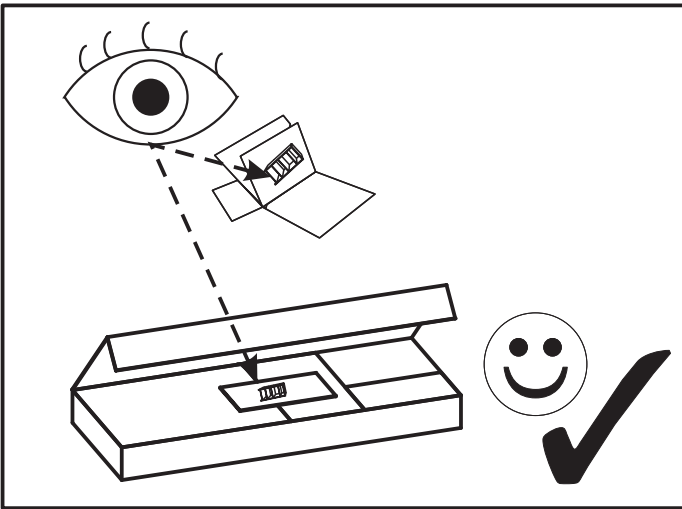


# Emlyn

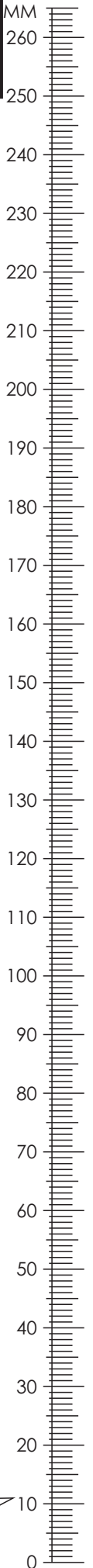





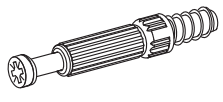

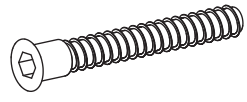


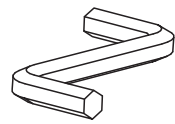
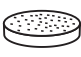
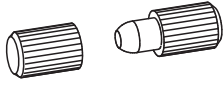
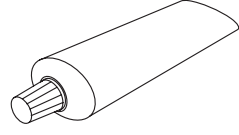
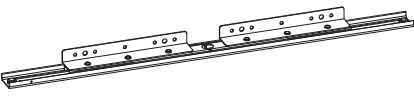
~76,2 cm

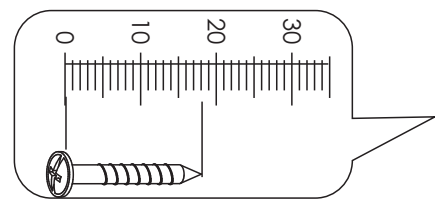




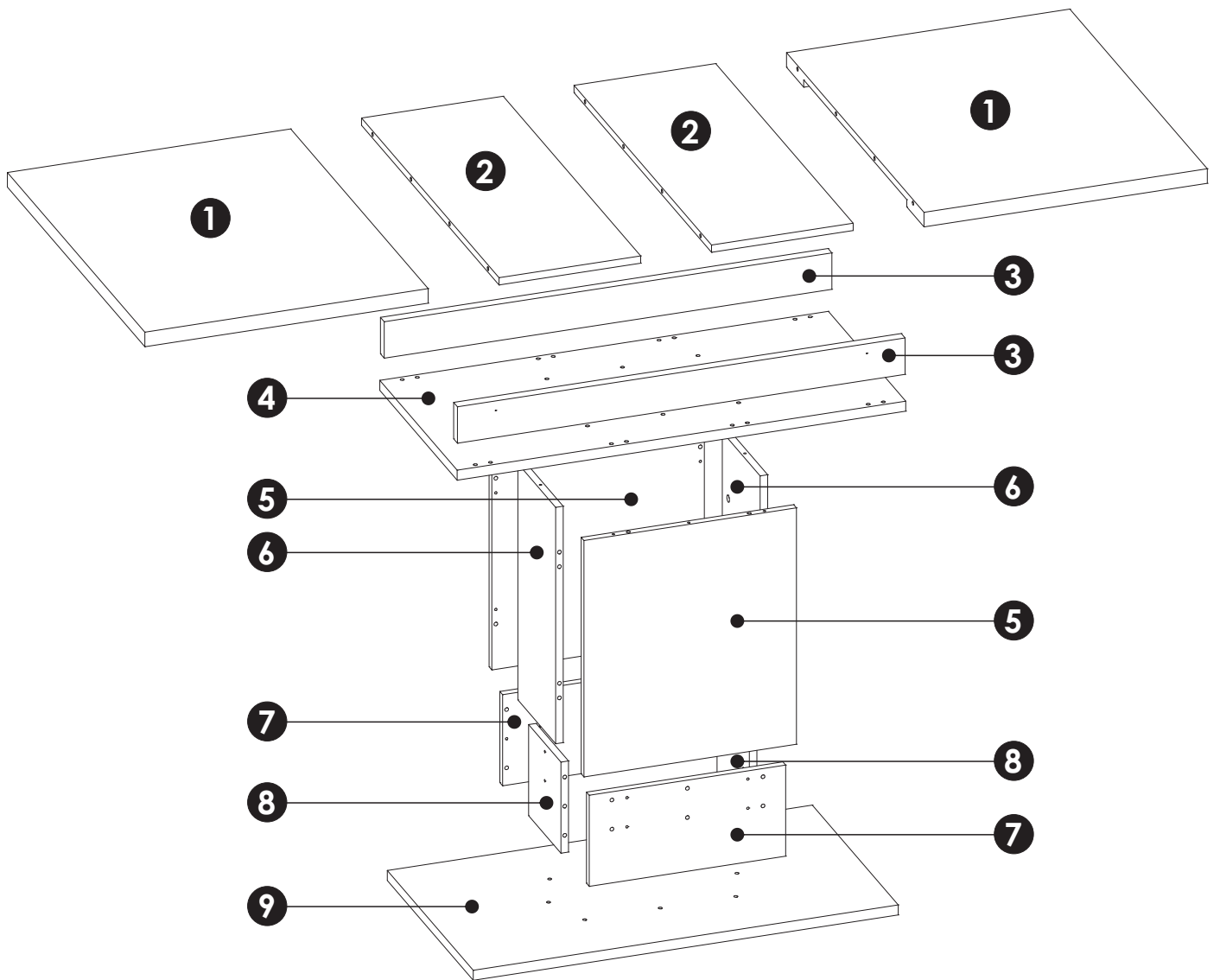
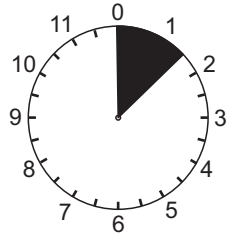
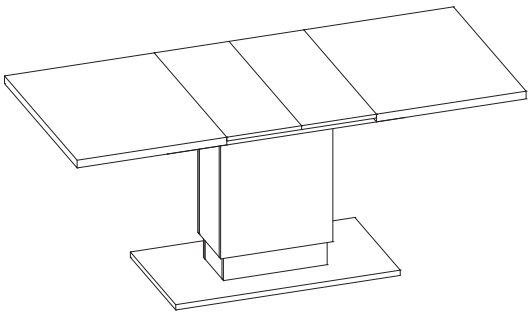
# XXX/186



<b>A1</b> 8 x 35 mm x30 	<b>A5</b> 8 x 20 mm x12 	<b>E1</b> 15 x 12 mm x12 
<b>F1</b> 6 x 34 mm x12 	<b>G0</b> x16 	<b>G2</b> 7 x 60 mm x22 
<b>I2</b> 4 x 16 mm x44 	<b>I11</b> 4 x 27 mm x12 	<b>M</b> x1 
<b>O2A</b> ø20 x18 	<b>R8</b> x12 	<b>S</b> x1 
<b>T11</b> x2 		

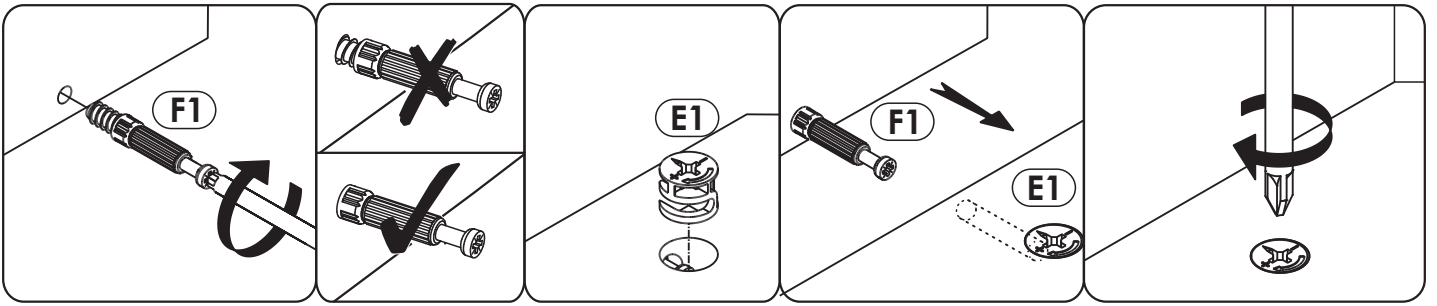




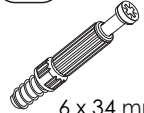
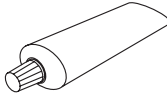
# XXX/186

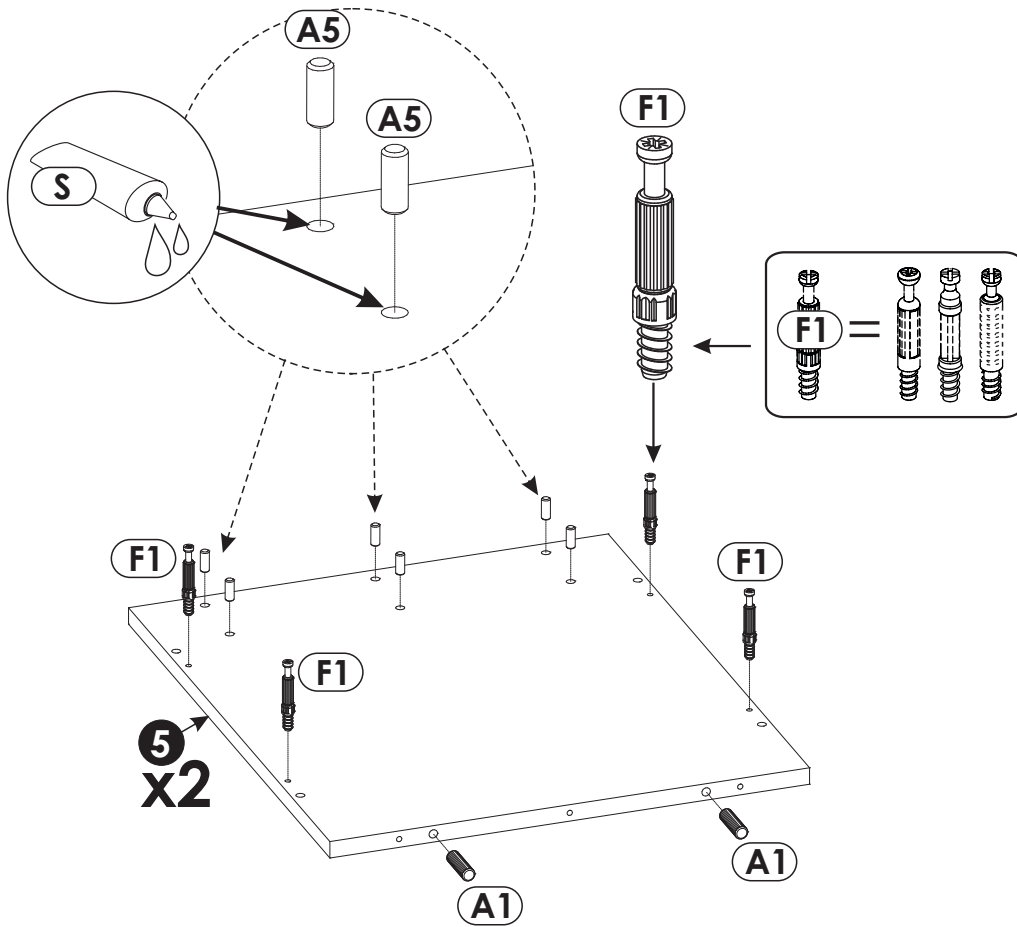


<b>1</b>	600	800	32	x2	2/2
<b>2</b>	300	800	16	x2	2/2
<b>3</b>	948	80	22	x2	1/2
<b>4</b>	950	450	22	x1	1/2

<b>5</b>	519	450	16	x2	2/2
<b>6</b>	519	220	16	x2	1/2
<b>7</b>	416	200	16	x2	1/2
<b>8</b>	200	188	16	x2	1/2
<b>9</b>	900	500	22	x1	1/2

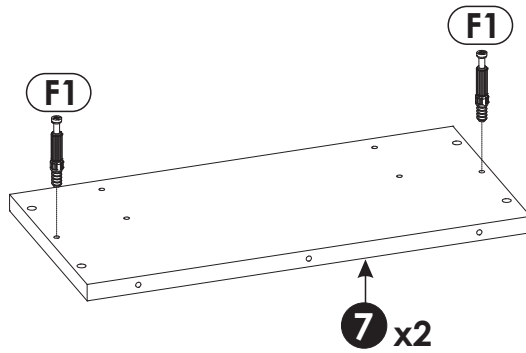
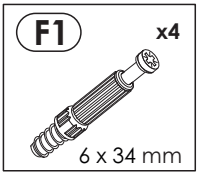


<b>A1</b> x4  8 x 35 mm	<b>A5</b> x12  8 x 20 mm	<b>F1</b> x8  6 x 34 mm	<b>S</b> x1 
---	--	---	---

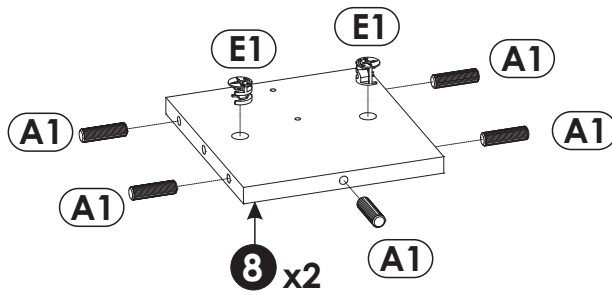
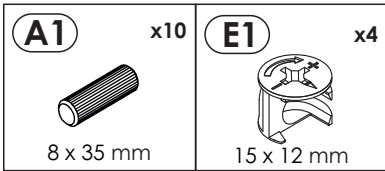




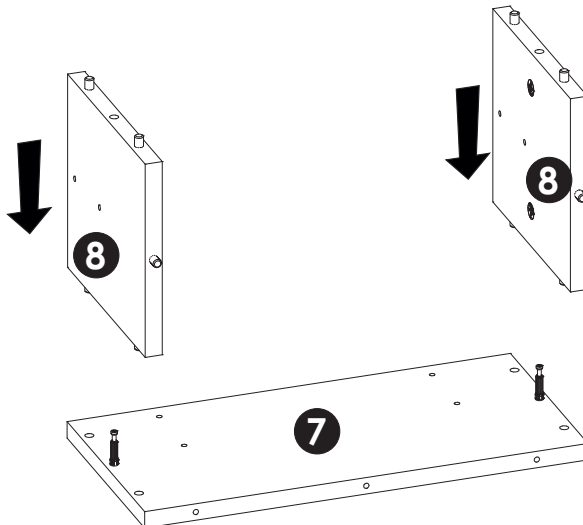
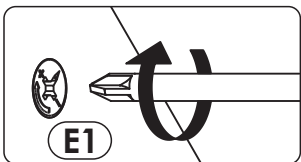
4 ▶



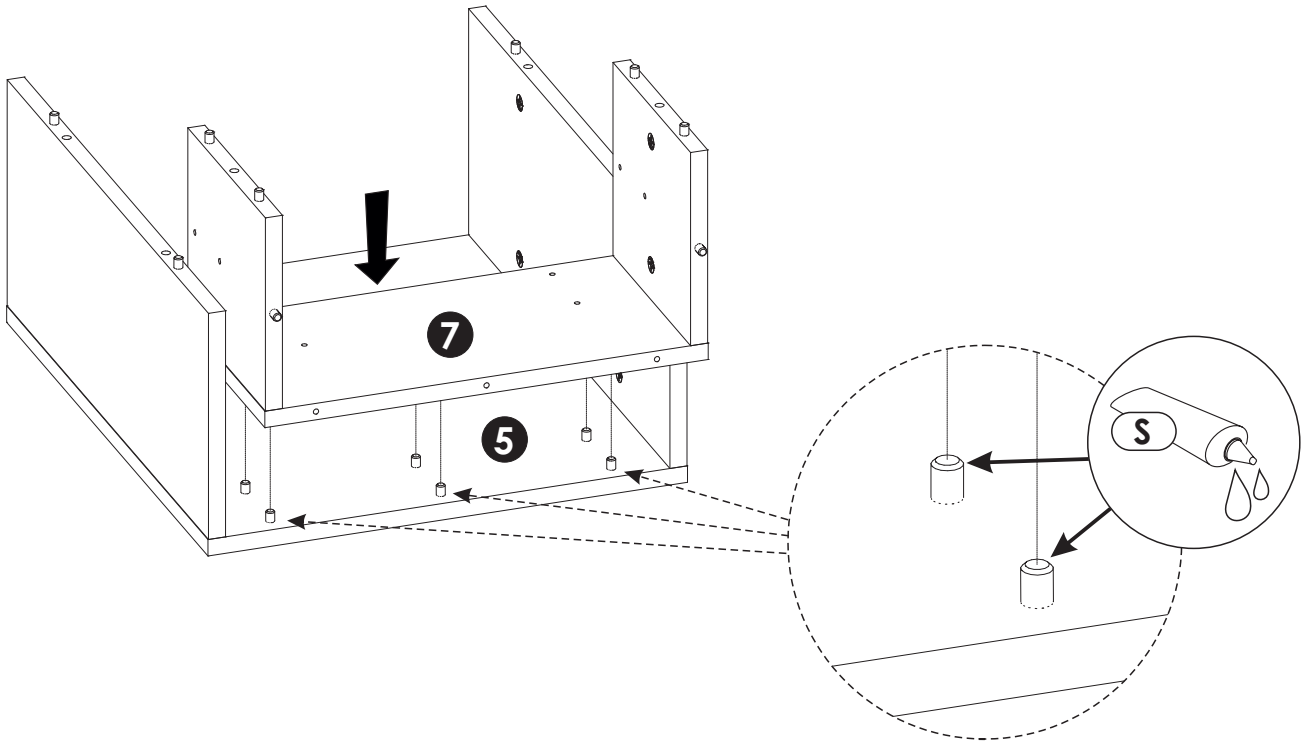
5 ▶



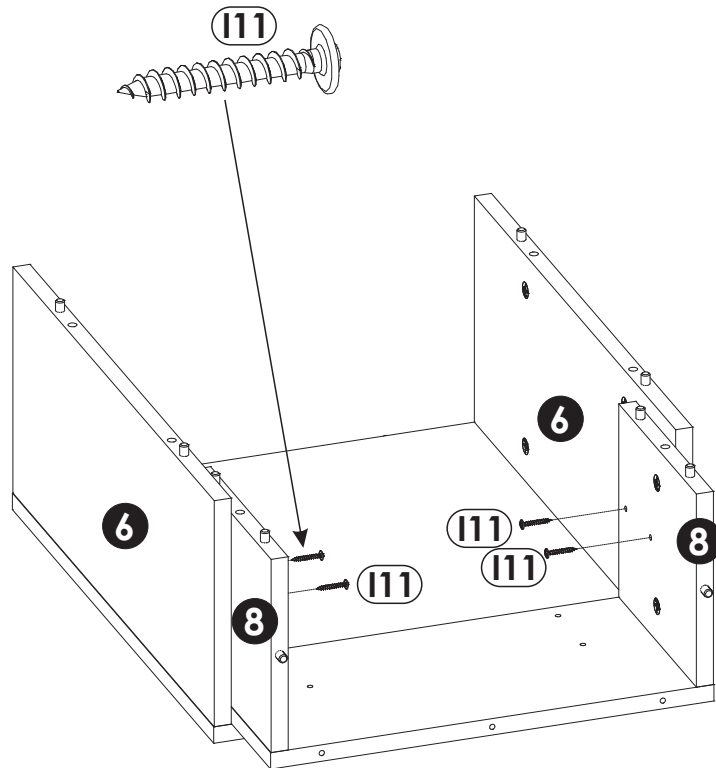
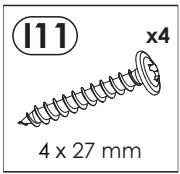
6 ▶



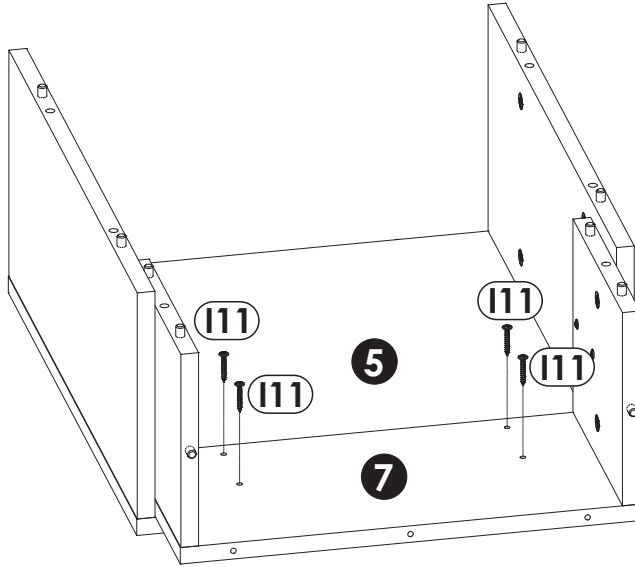
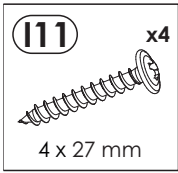
7 ▶



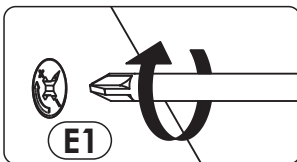
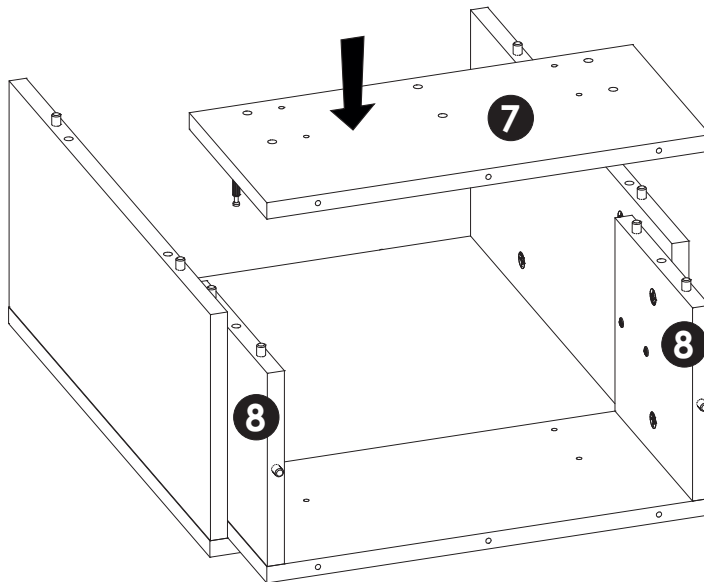
8 ▶



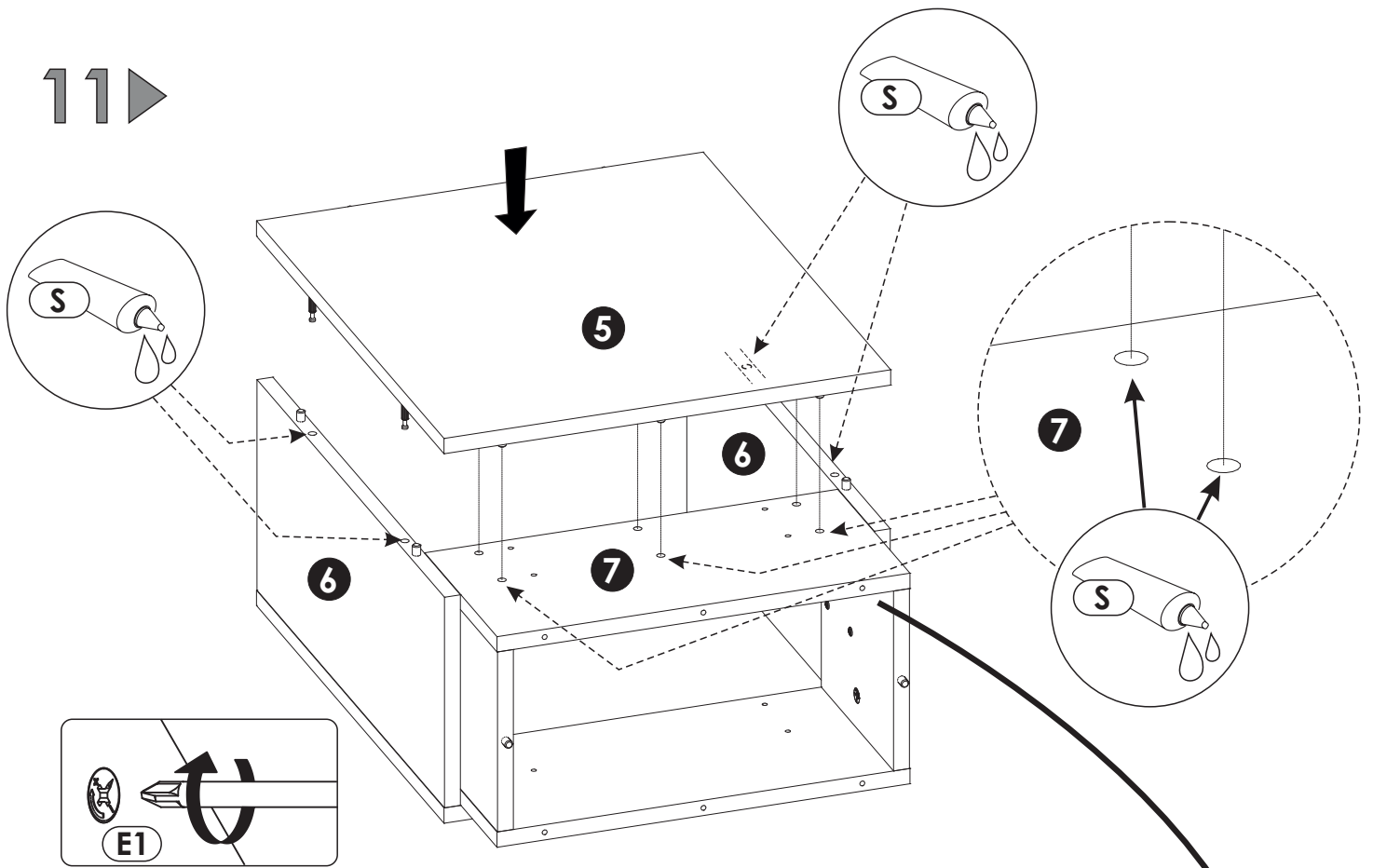
9 ▶



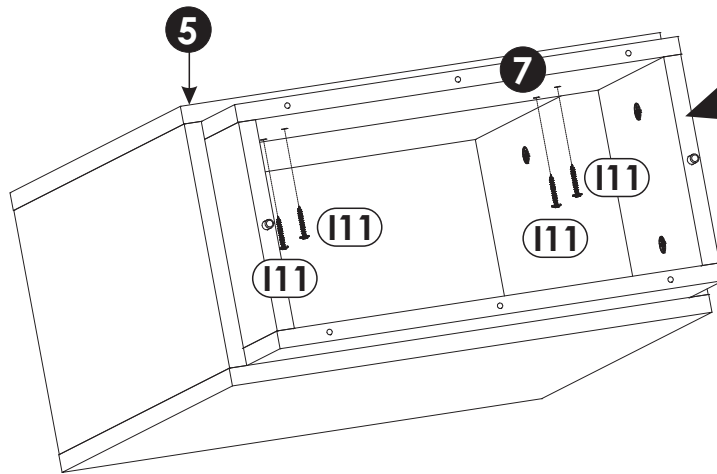
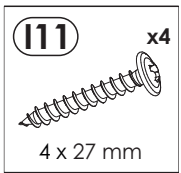
10 ▶



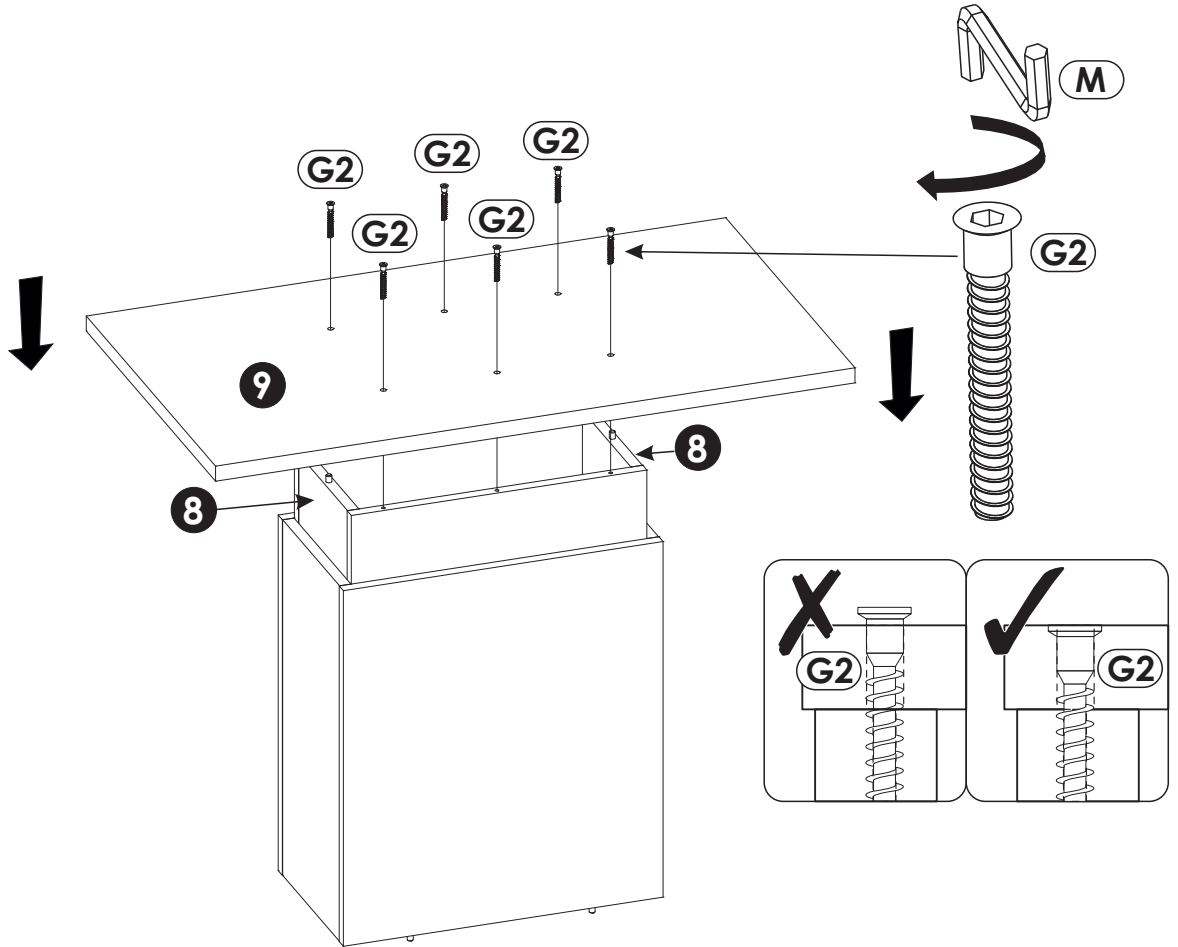
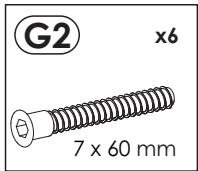
11 ▶



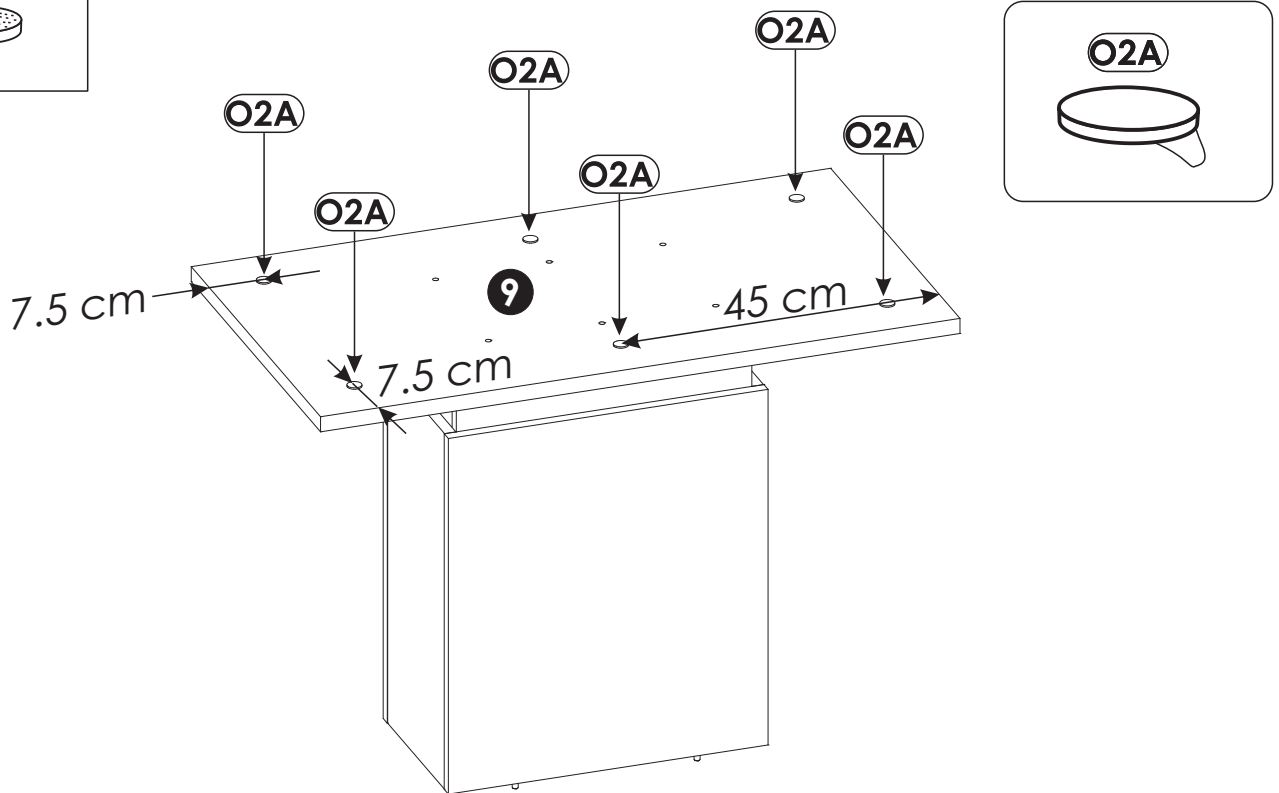
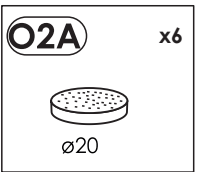
12 ▶

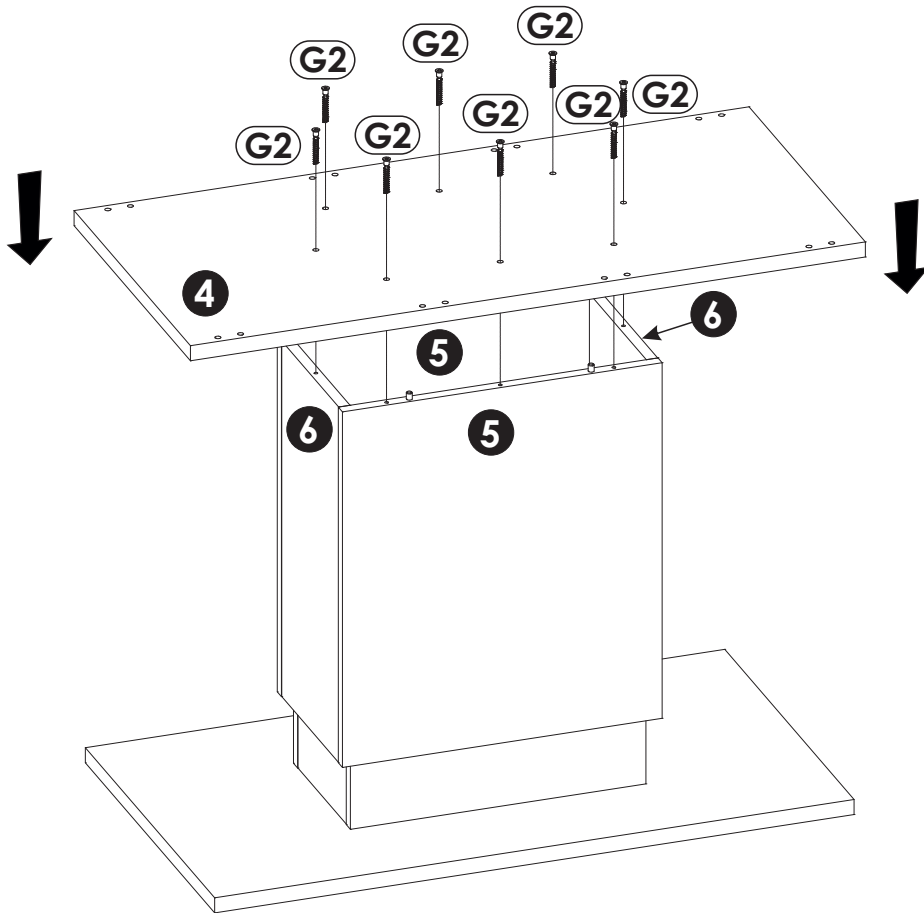
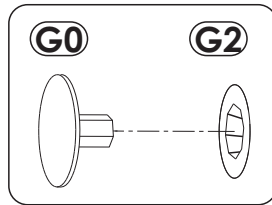
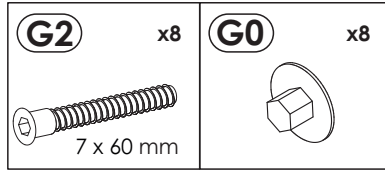


# 13 ▶



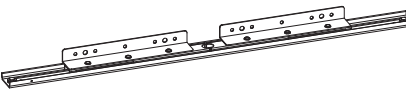



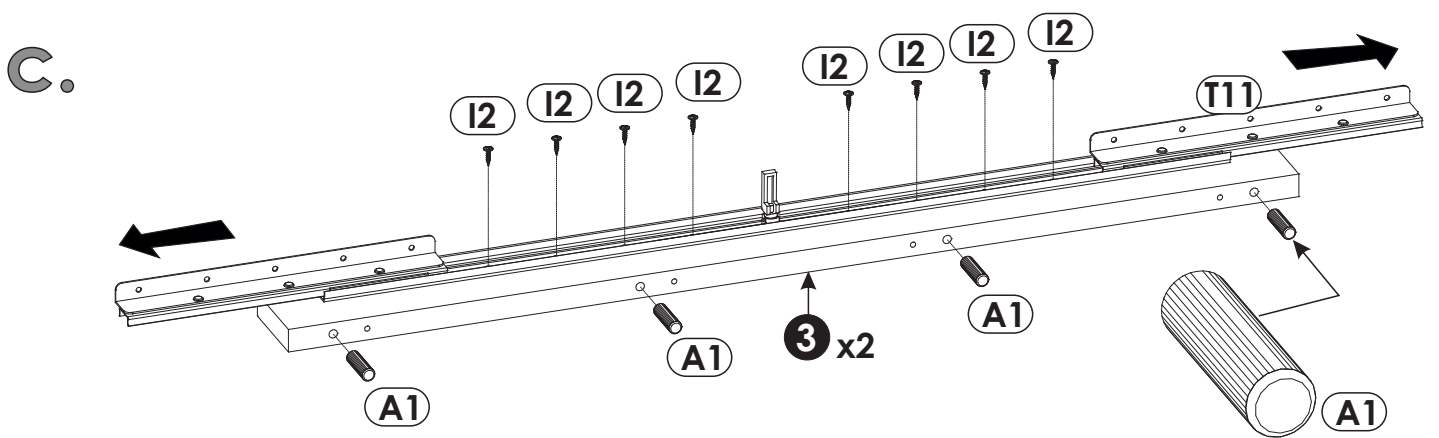
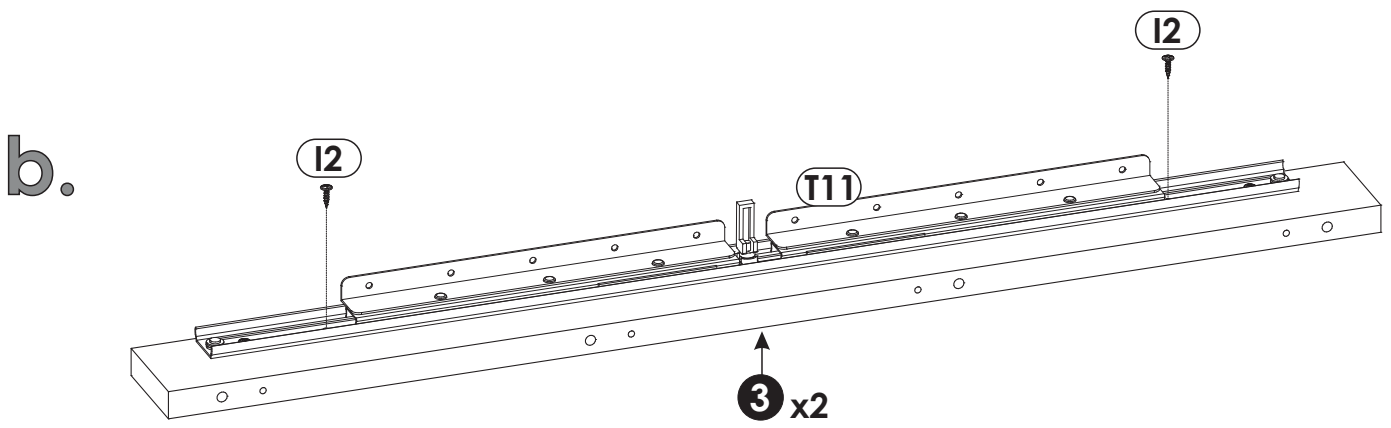
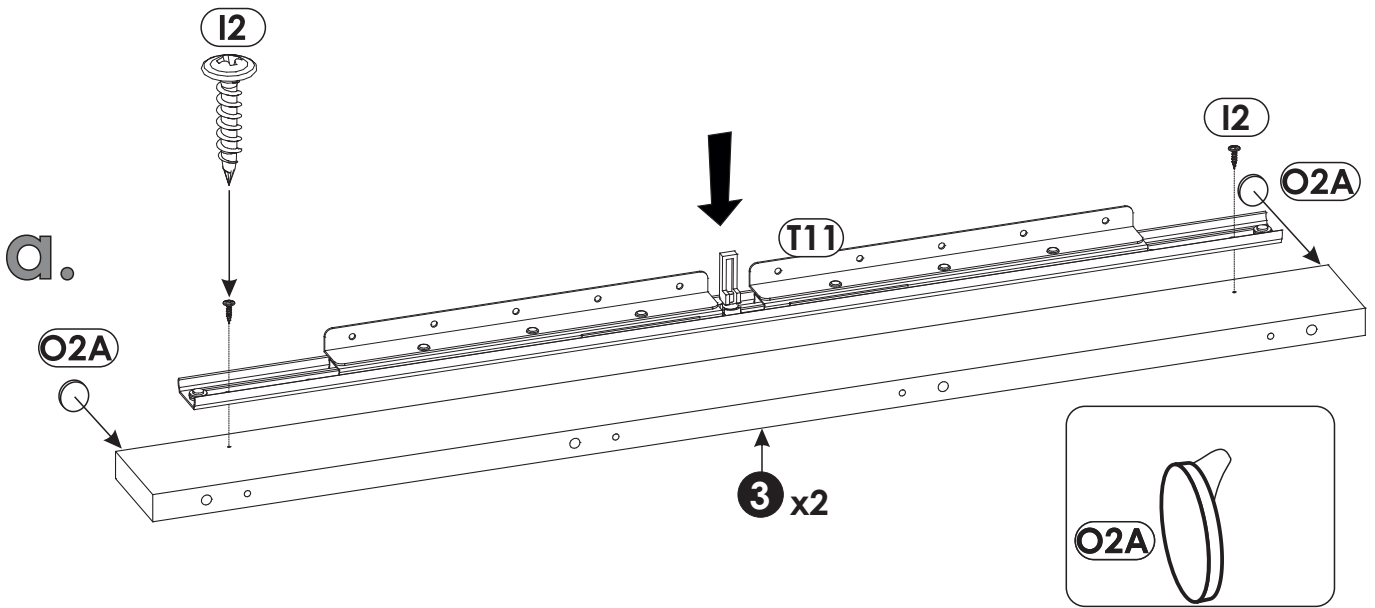
# 14 ▶



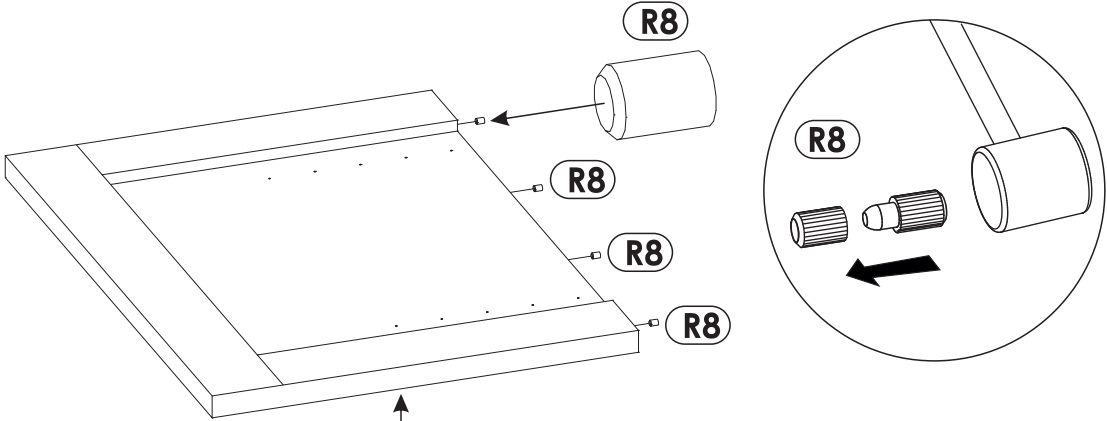
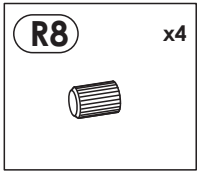


16 ▶

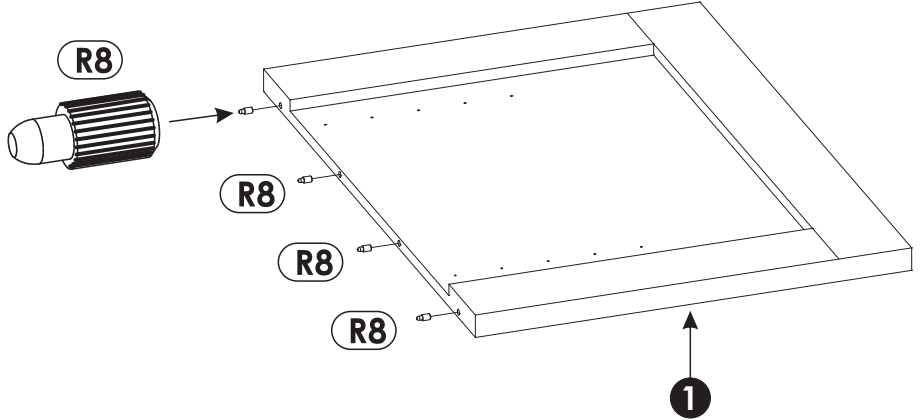
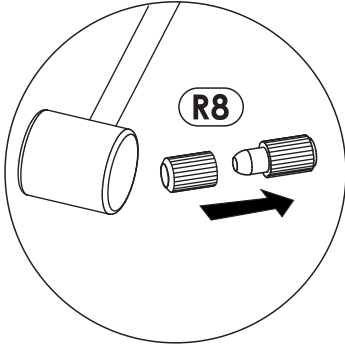
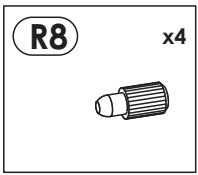
<b>A1</b>  8 x 35 mm x8	<b>I2</b>  4 x 16 mm x24	<b>T11</b>  x2	<b>O2A</b>  ø20 x4
---	--	--	--



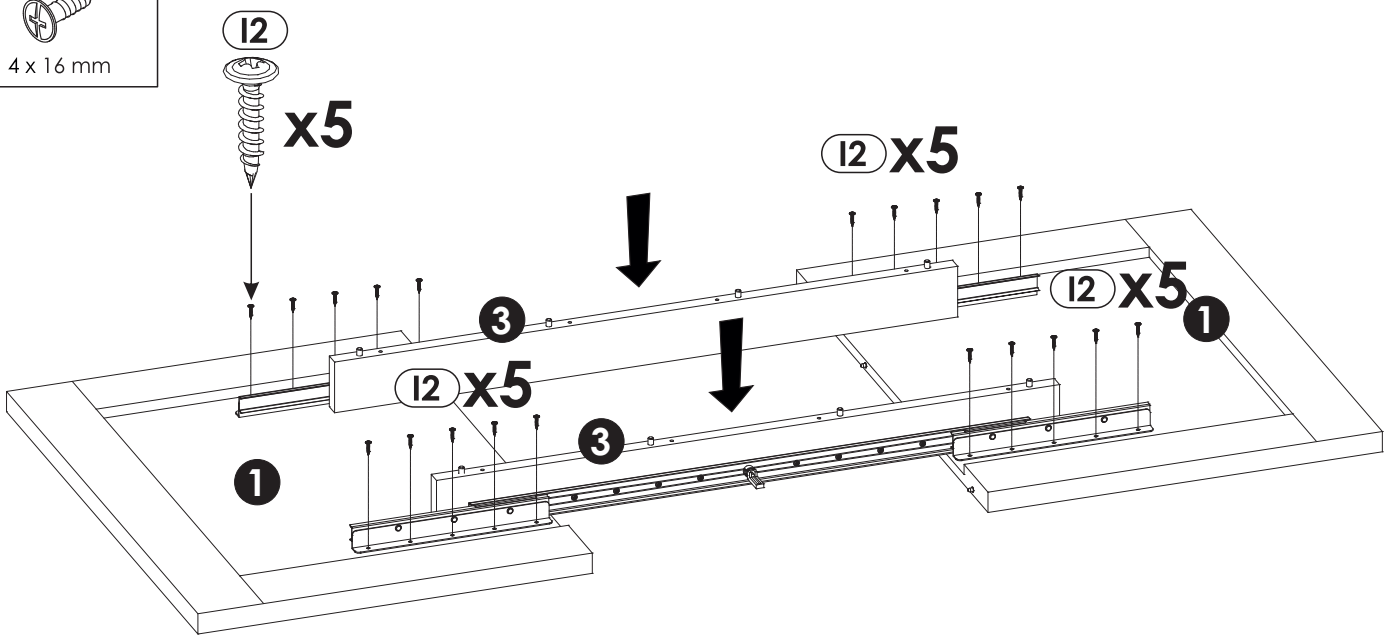
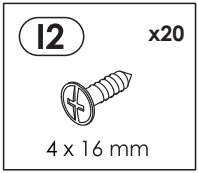
# 17▶



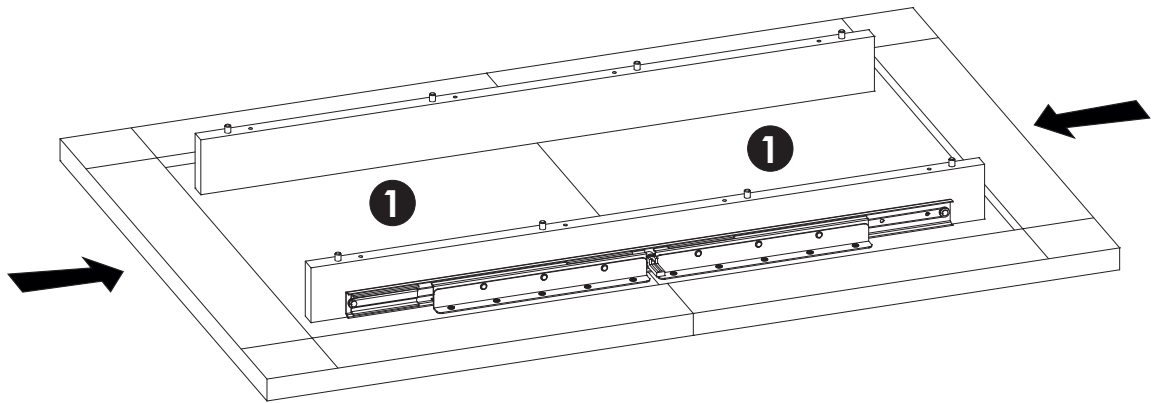
# 18▶



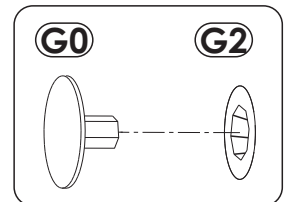
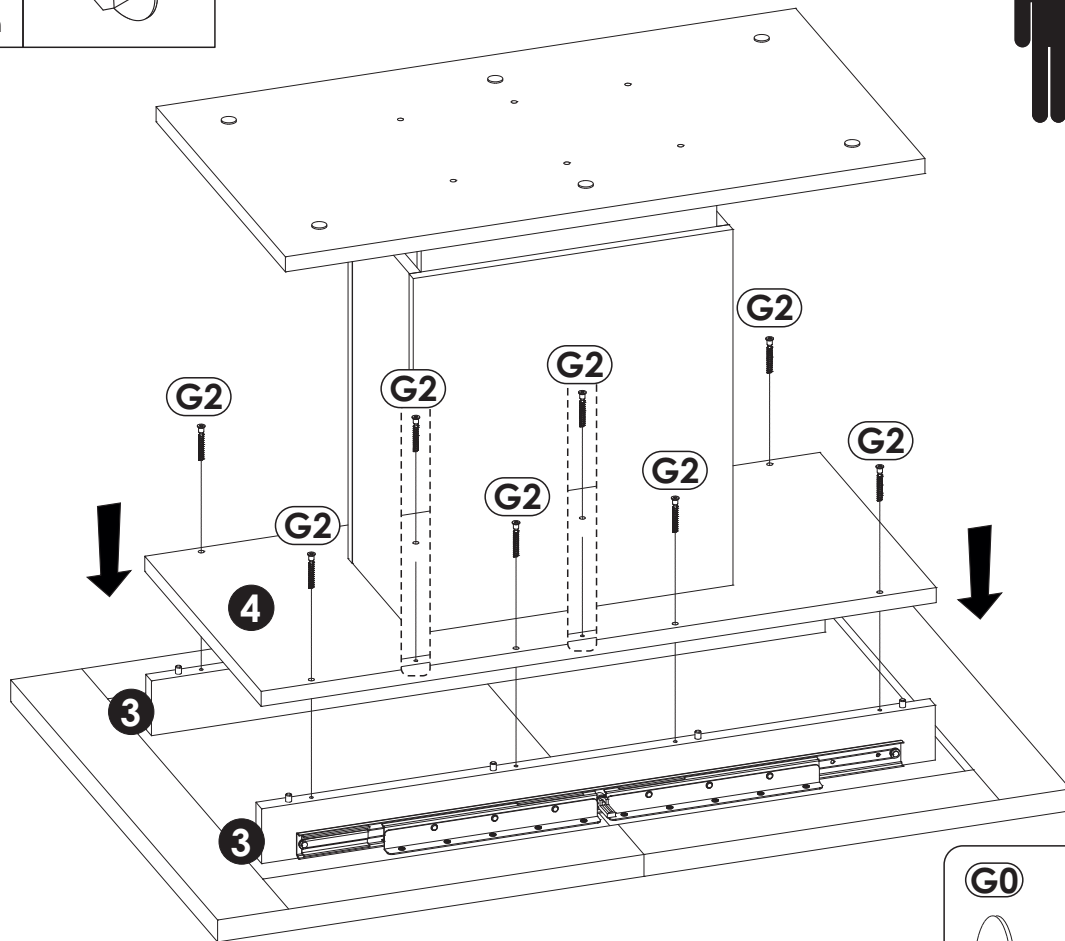
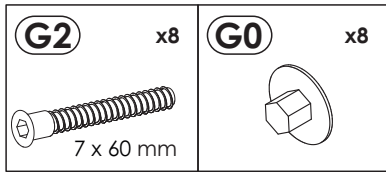
# 19▶



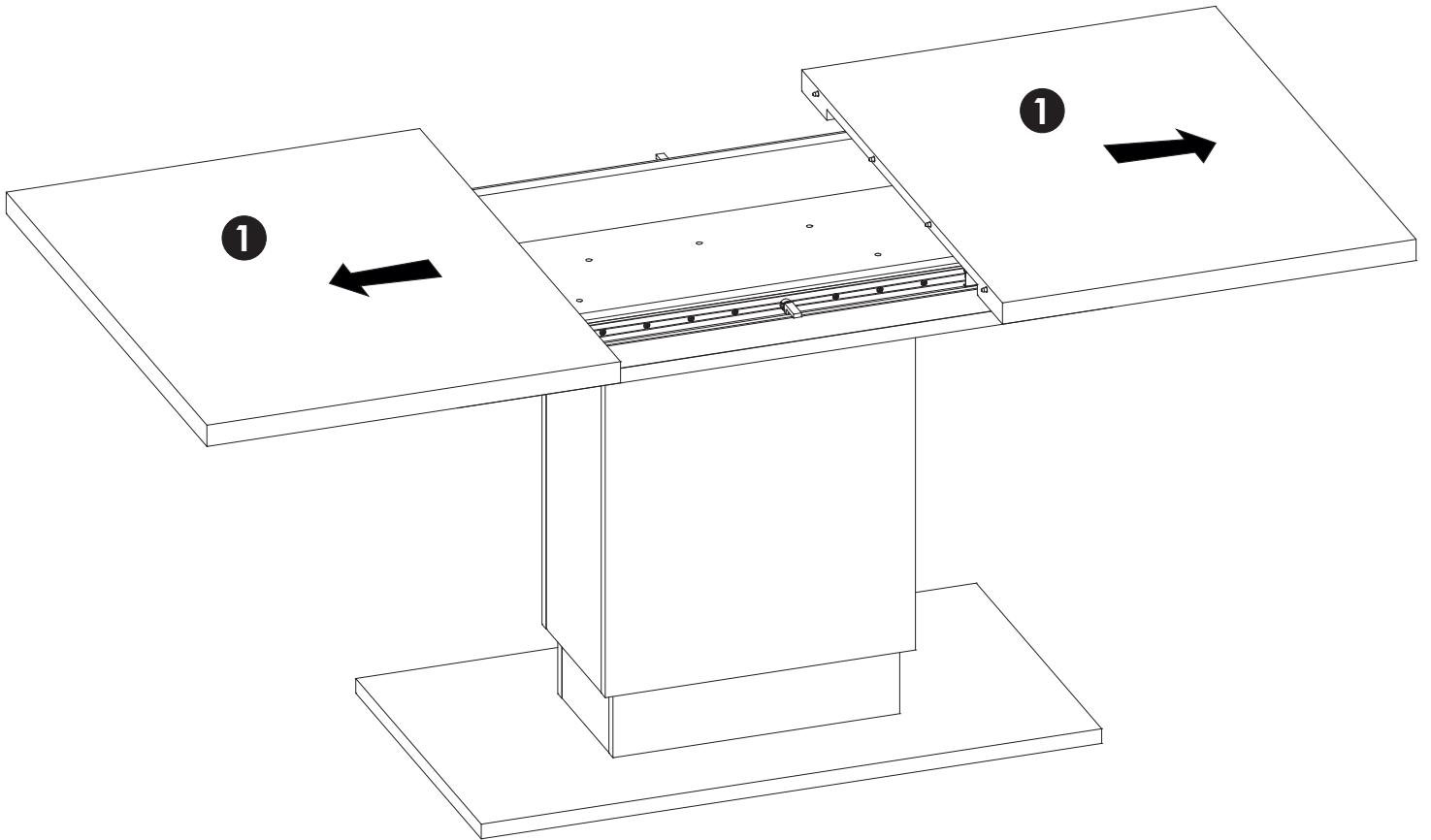
20▶



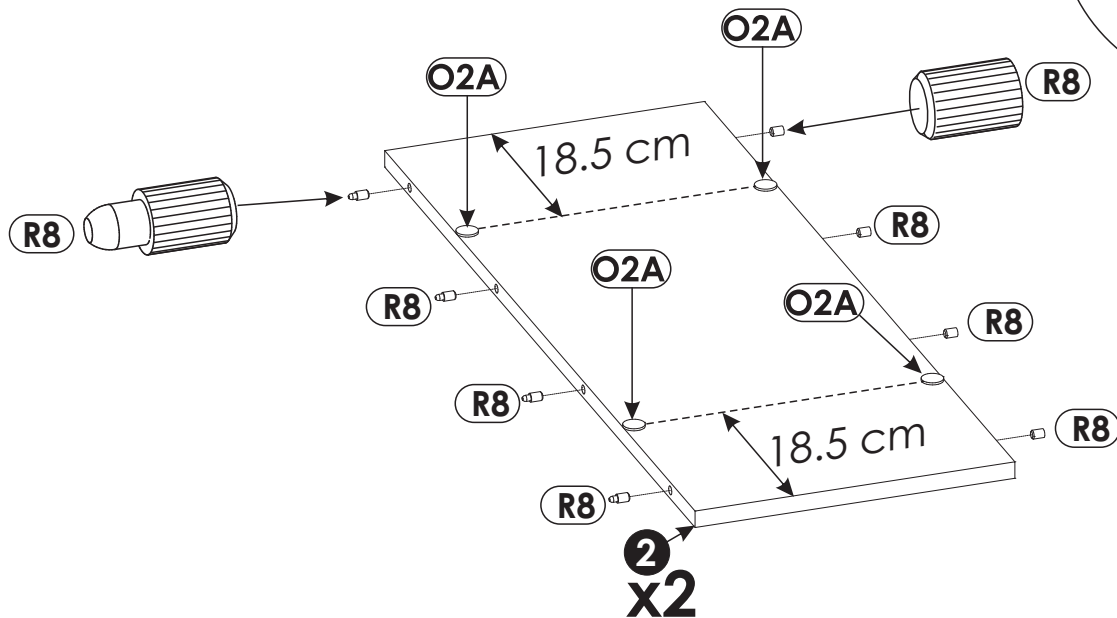
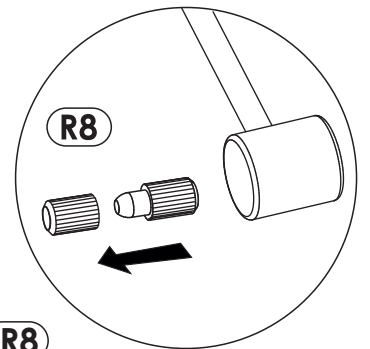
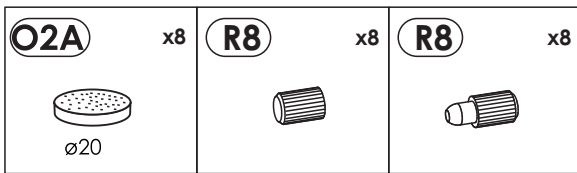
21▶



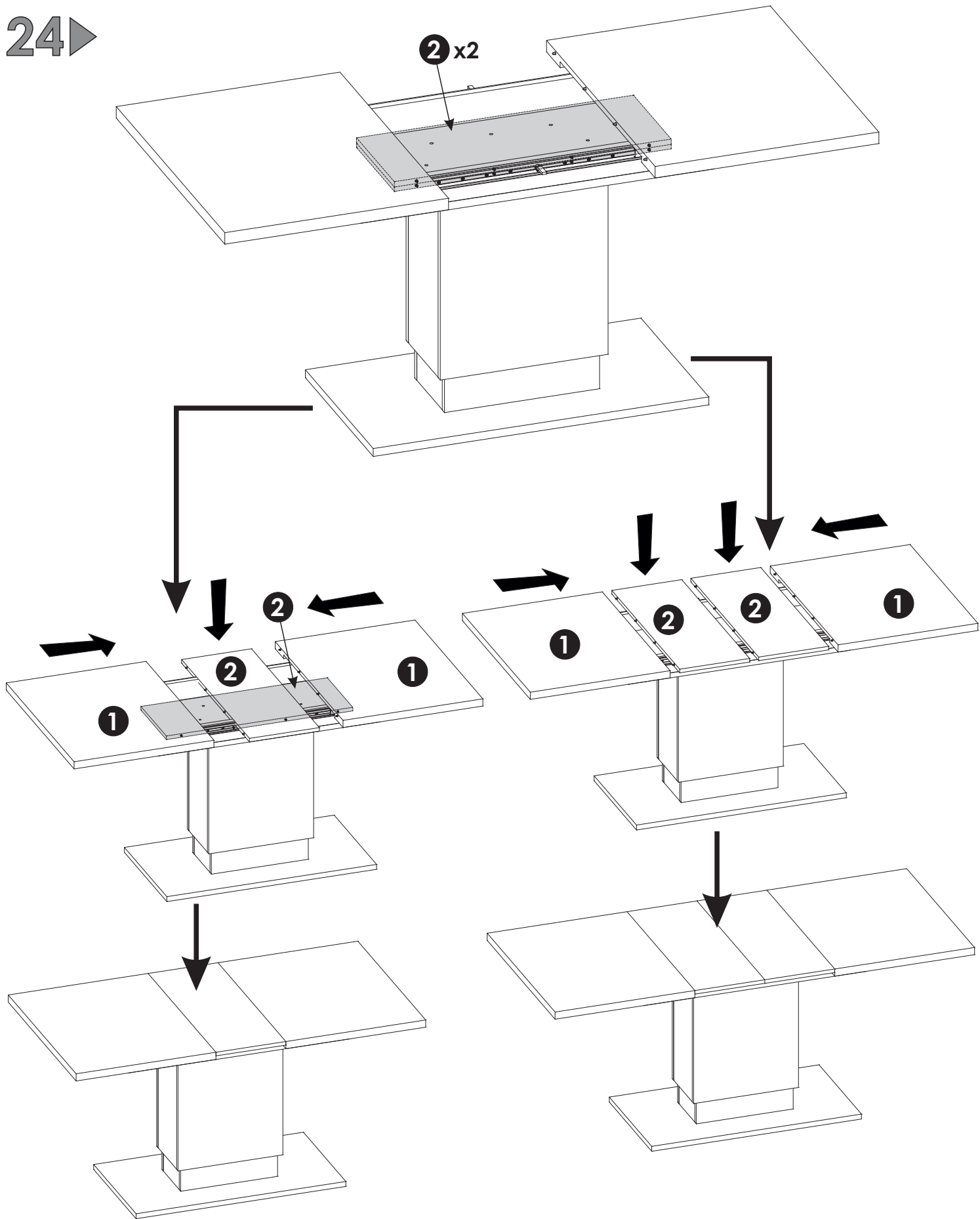
# 22 ▶



# 23 ▶



24 ▶



25▶

