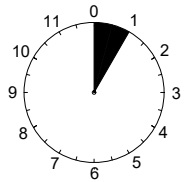
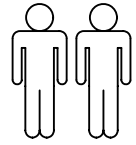
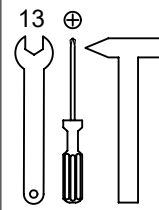
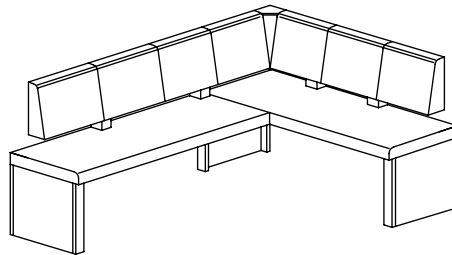
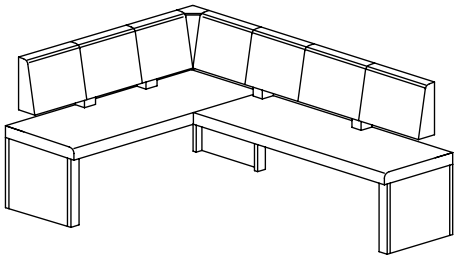


pravá/levá- avá

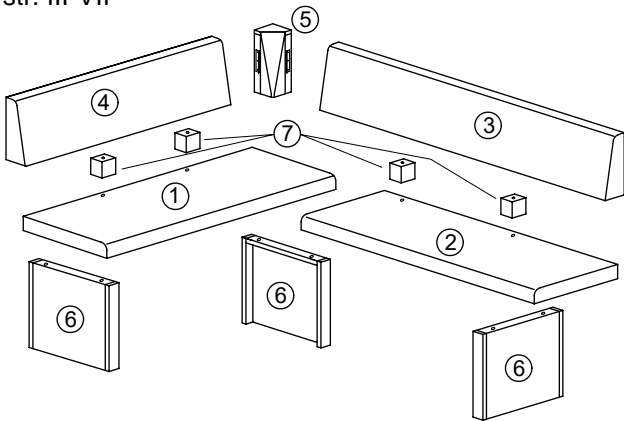
P

L



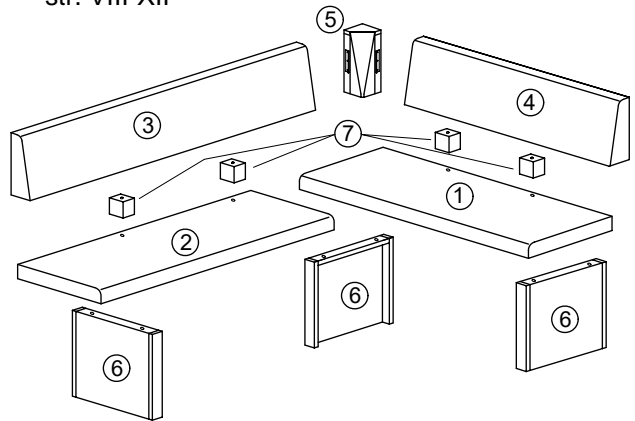
P

str. III-VII



L

str. VIII-XII

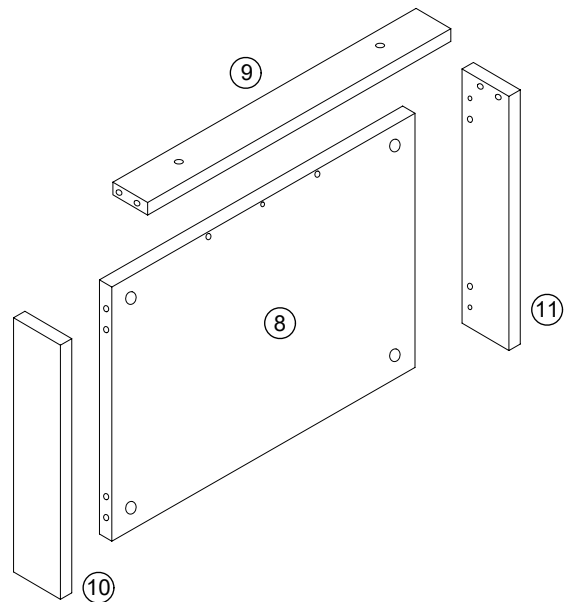


6

str. I-II

1	1x	1400x600mm	2/3
2	1x	1400x600mm	2/3
3	1x	1765x310mm	1/3
4	1x	1175x310mm	1/3
5	1x	300x125mm	1/3
6	3x	(8+9+10+11)	3/3
7	4x	70x70x55mm	3/3

8	3x	534x389x18mm	3/3
9	3x	534x60x18mm	3/3
10	3x	390x80x18mm	3/3
11	3x	390x80x18mm	3/3

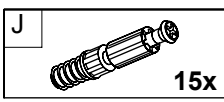
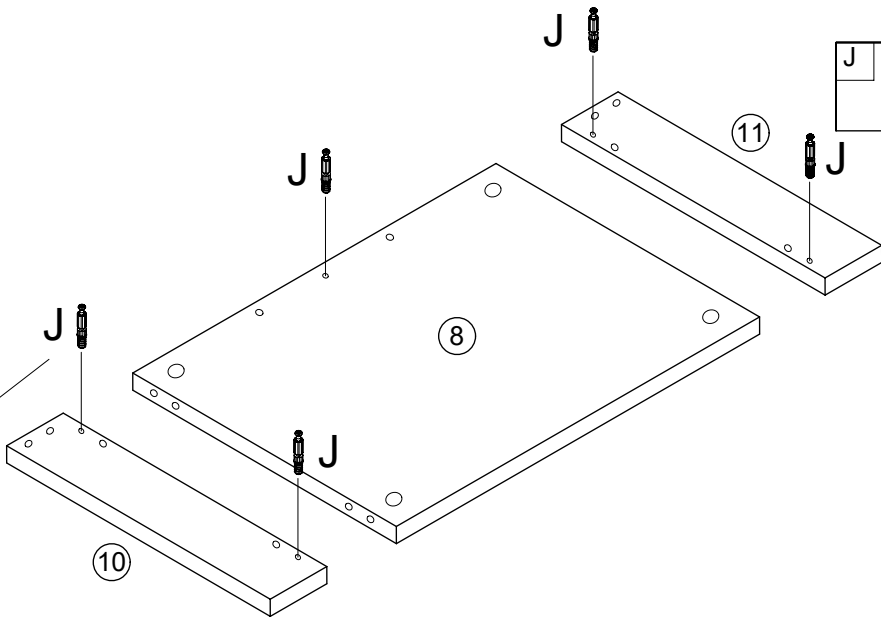
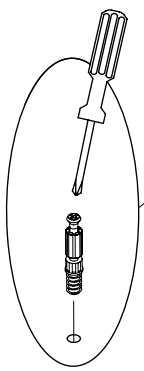


	A	M8		B	Ø8		C	M8x70		D	160mm		E	M8x60		F	M6x20		G		2x
			6x			14x		6x		4x		2x		4x		4x					
	H			J	L45		K	Ø15x13,5		L	Ø8x30		M	Ø3,5x16		N	L48x14x4		O	Ø20	12x
			3x			15x		15x		30x		12x		6x							

I.

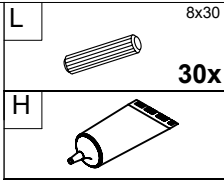
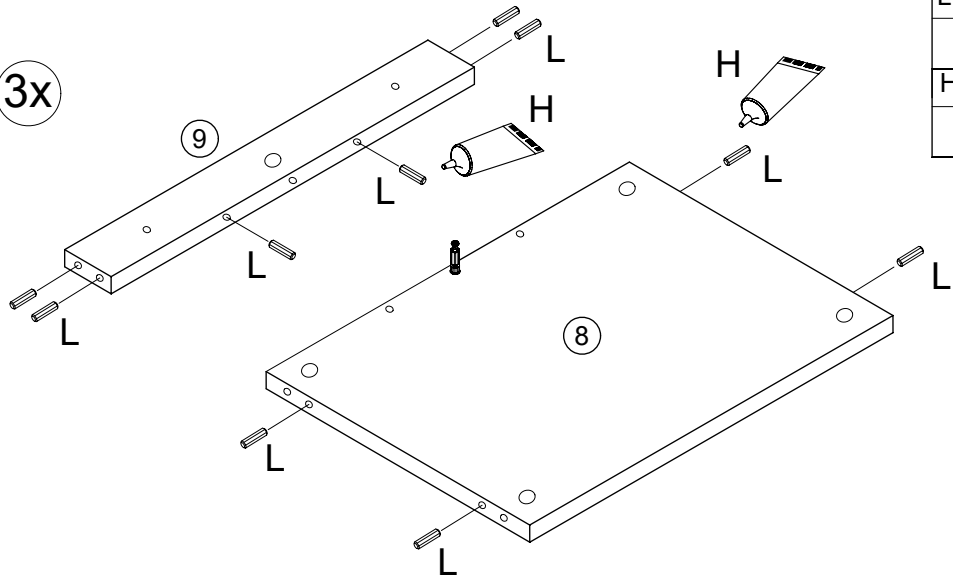
1.

3x



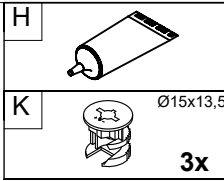
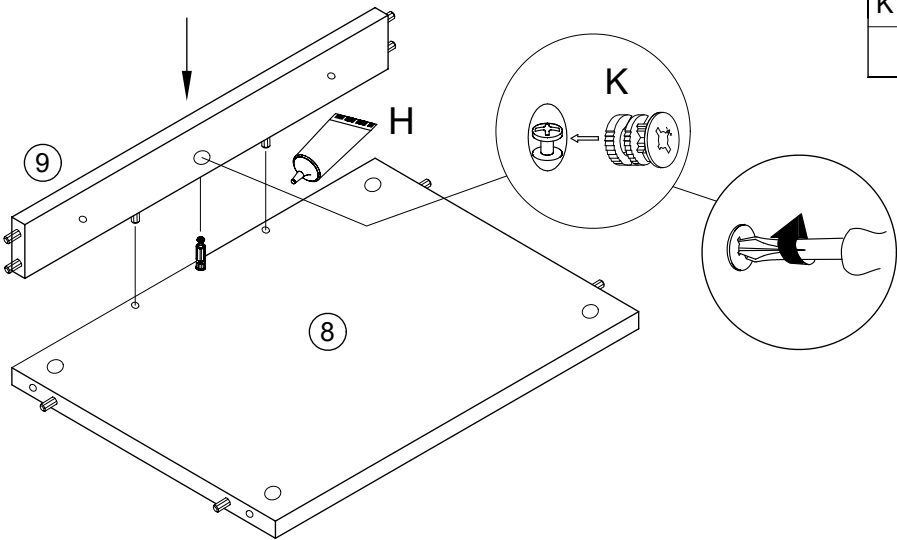
2.

3x



3.

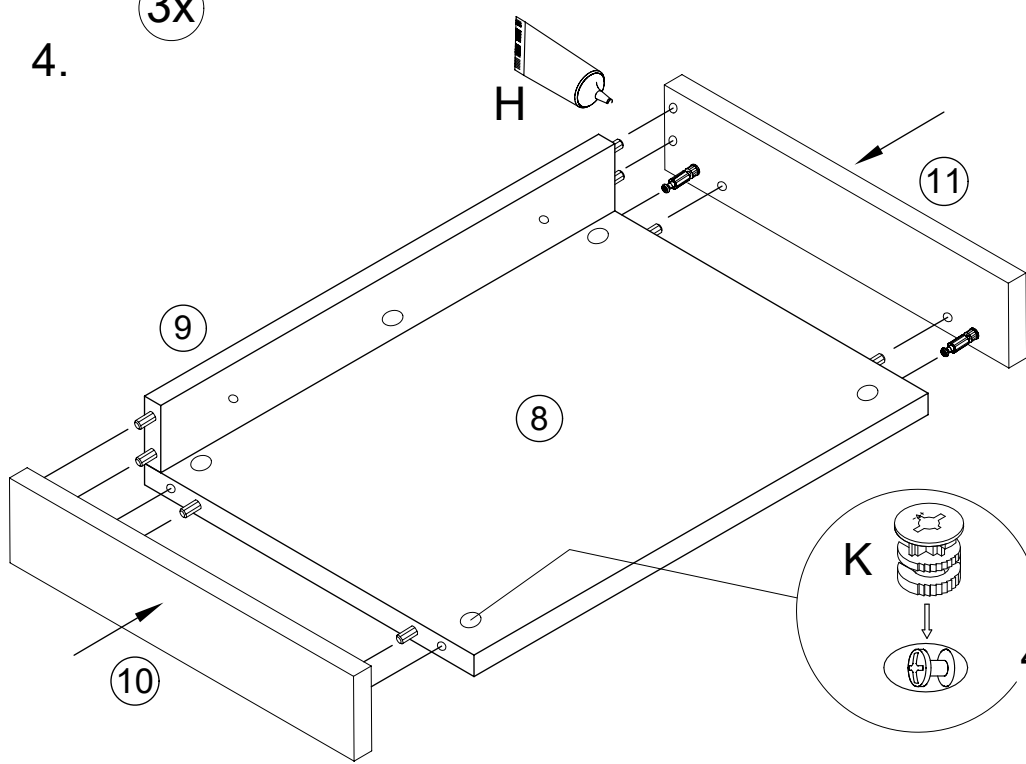
3x





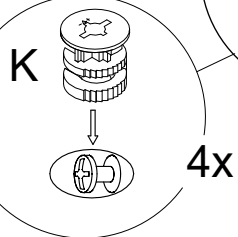
II.

4.

3x

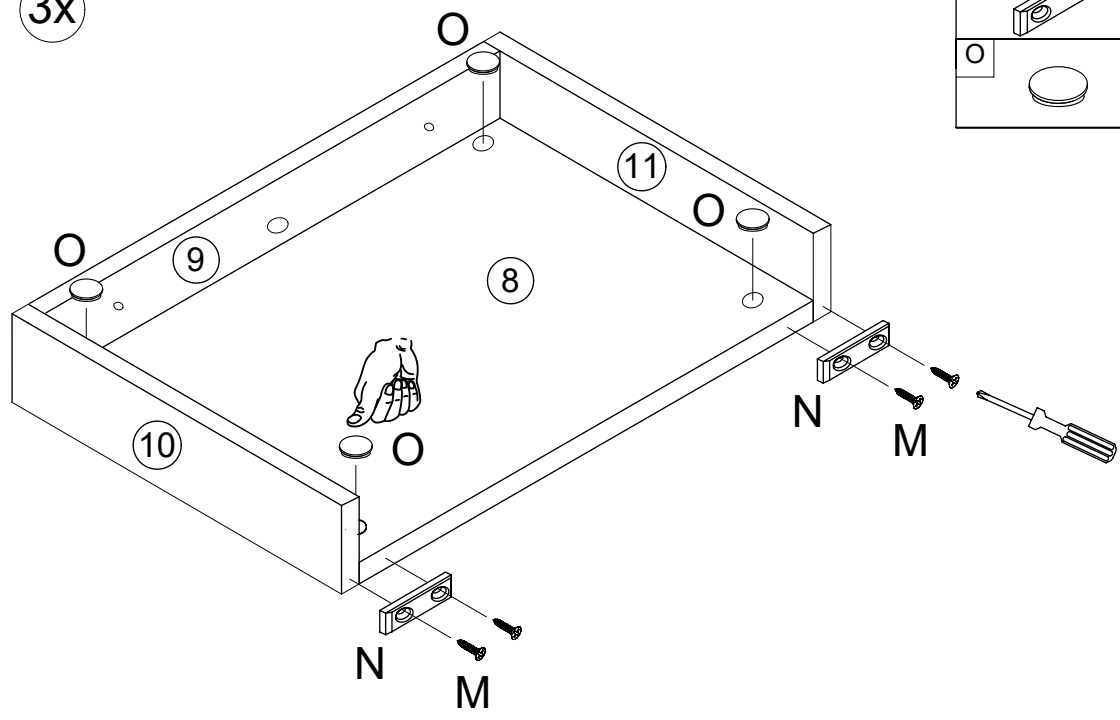



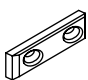

H		
K		Ø15x13,5 12x



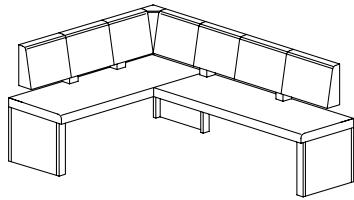
5.

3x



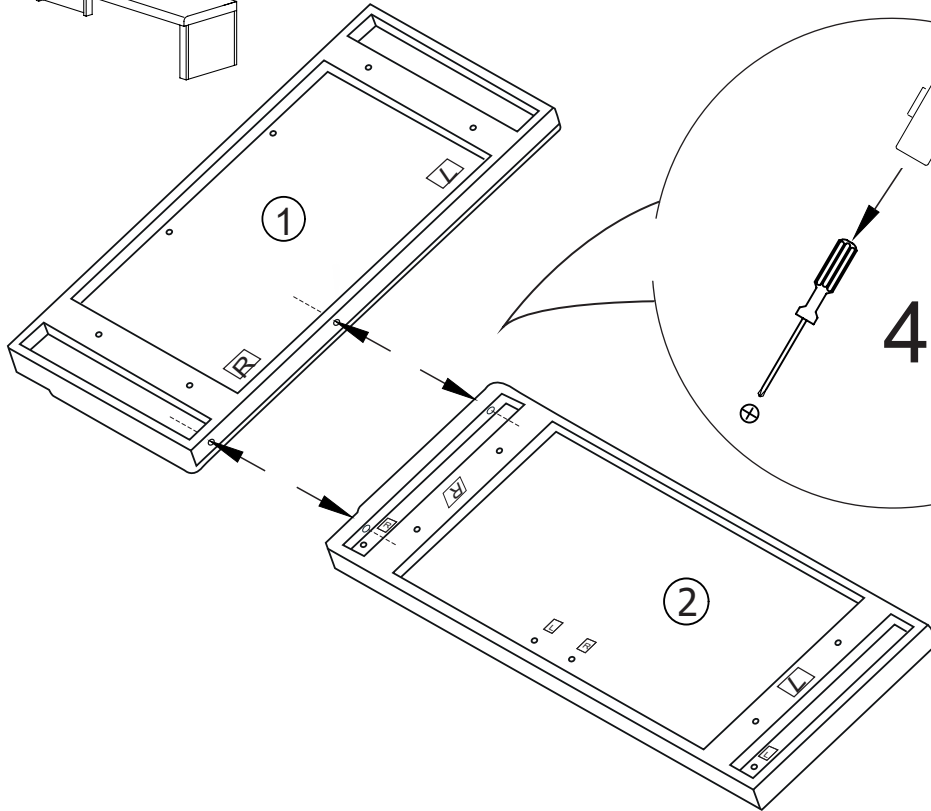
M		Ø3,5x16 12x
N		L48x14x4 6x
O		Ø20 12x

III.

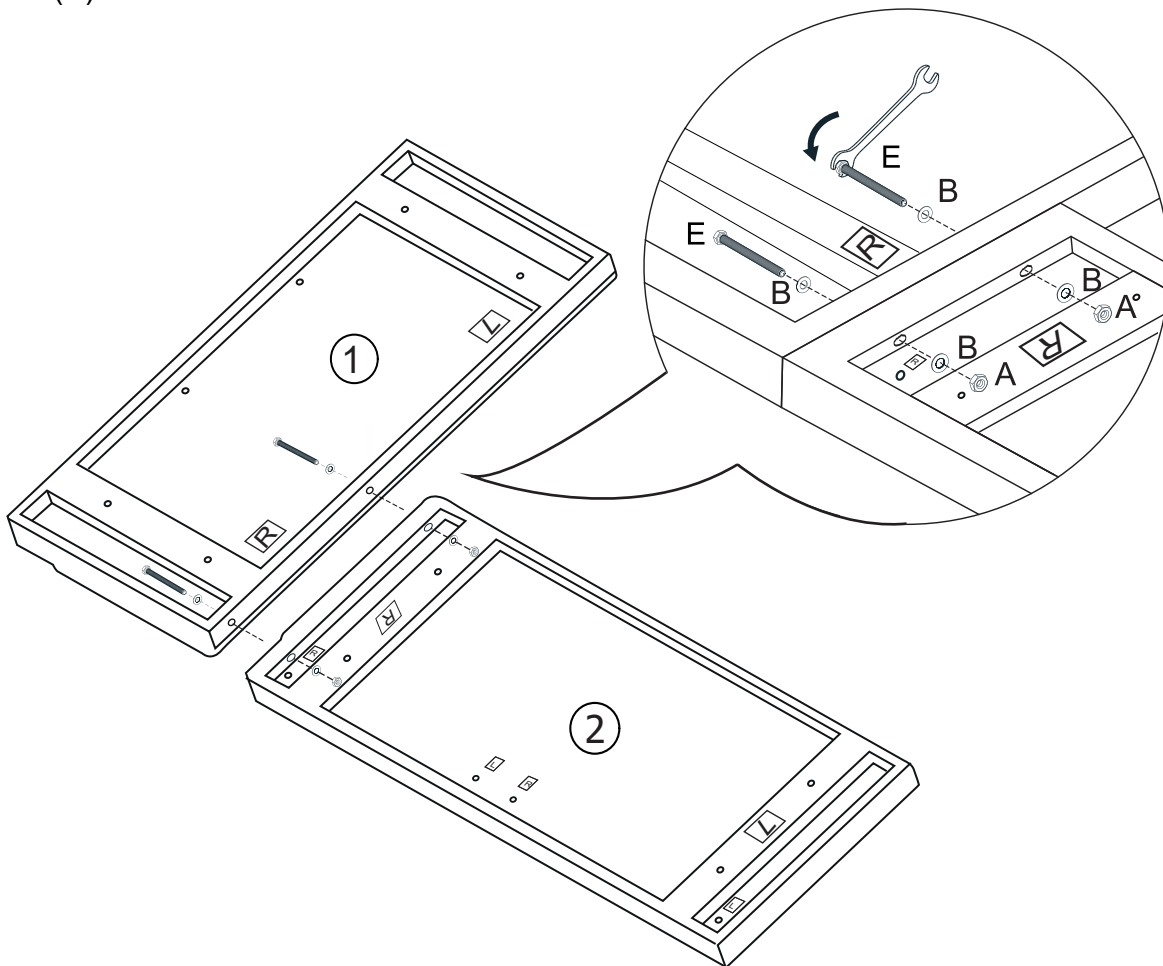




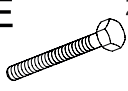
P

6. (P)



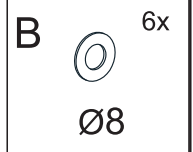
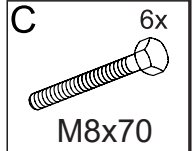
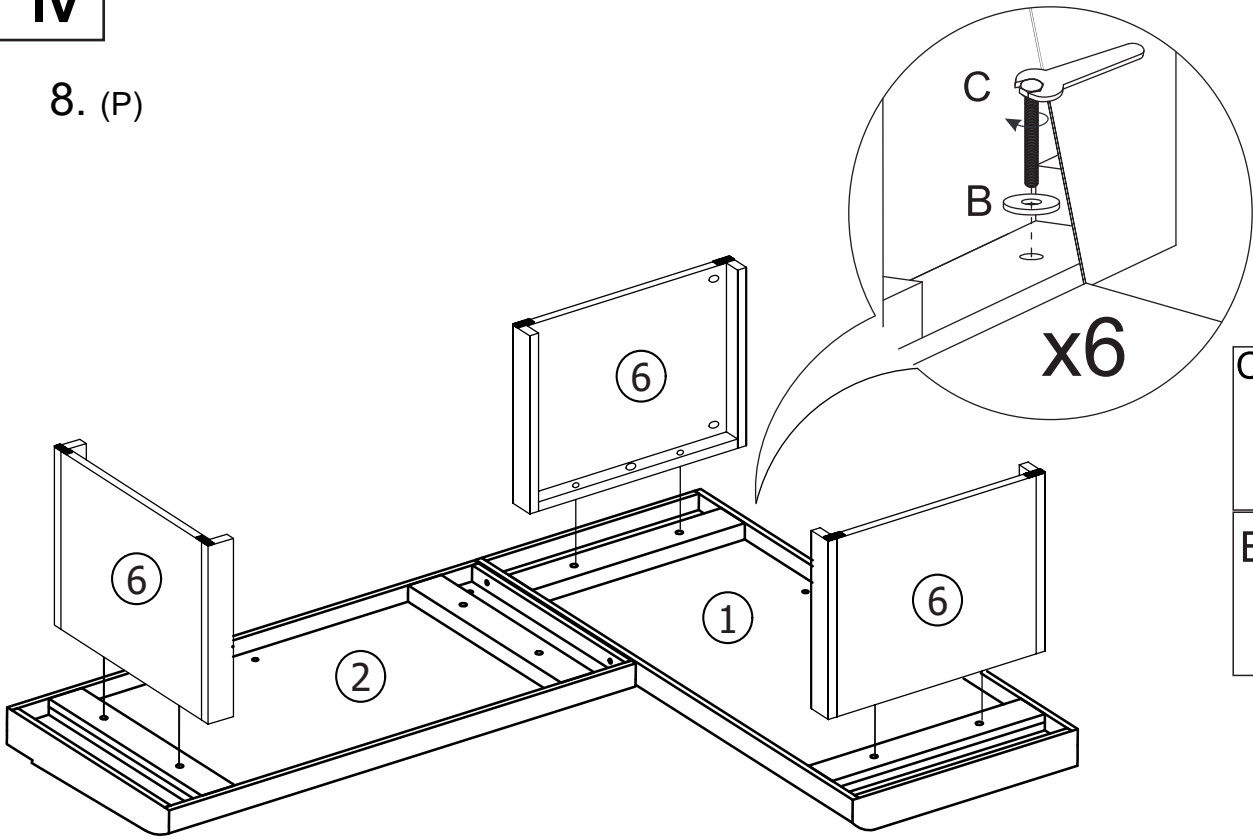
7. (P)



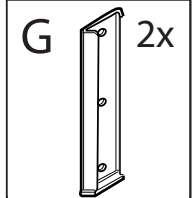
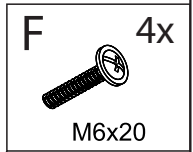
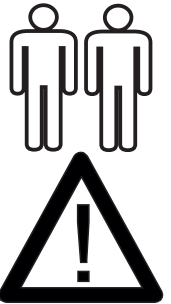
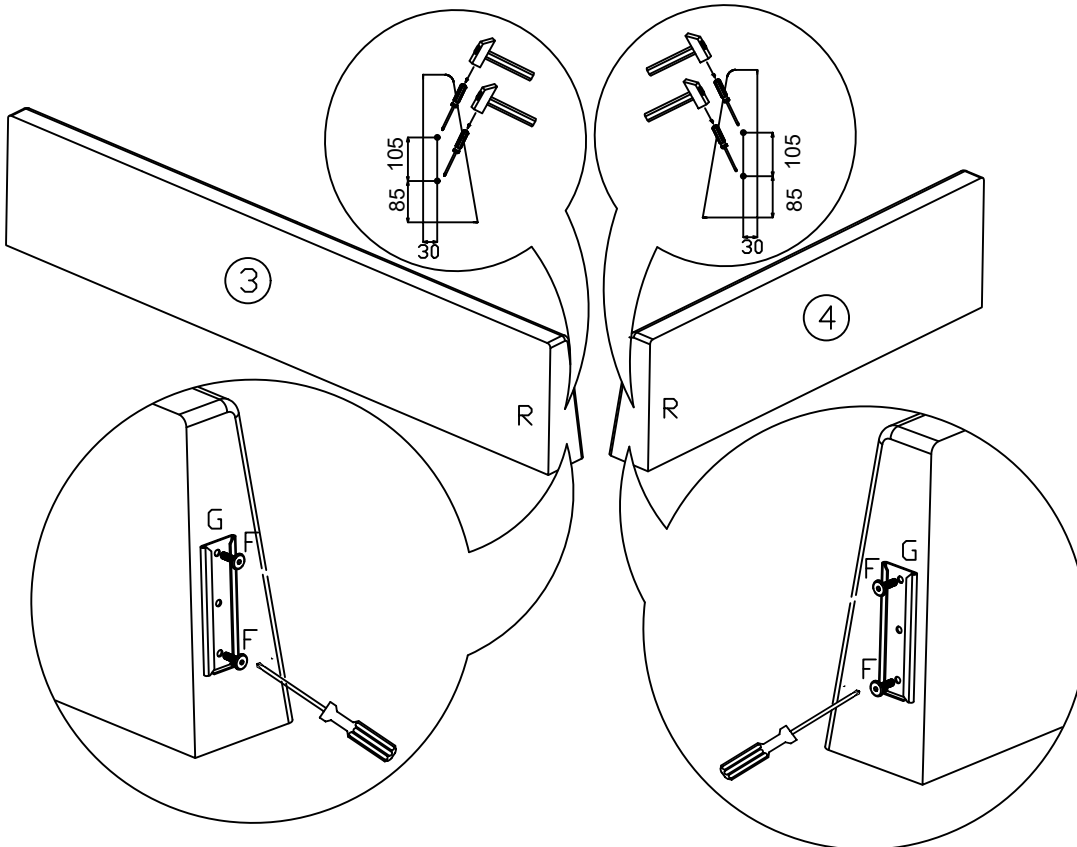
- | | | |
|---|---|----|
| A |  | 2x |
| | M8 | |
| B |  | 4x |
| | Ø8 | |
| E |  | 2x |
| | M8x60 | |

IV

8. (P)

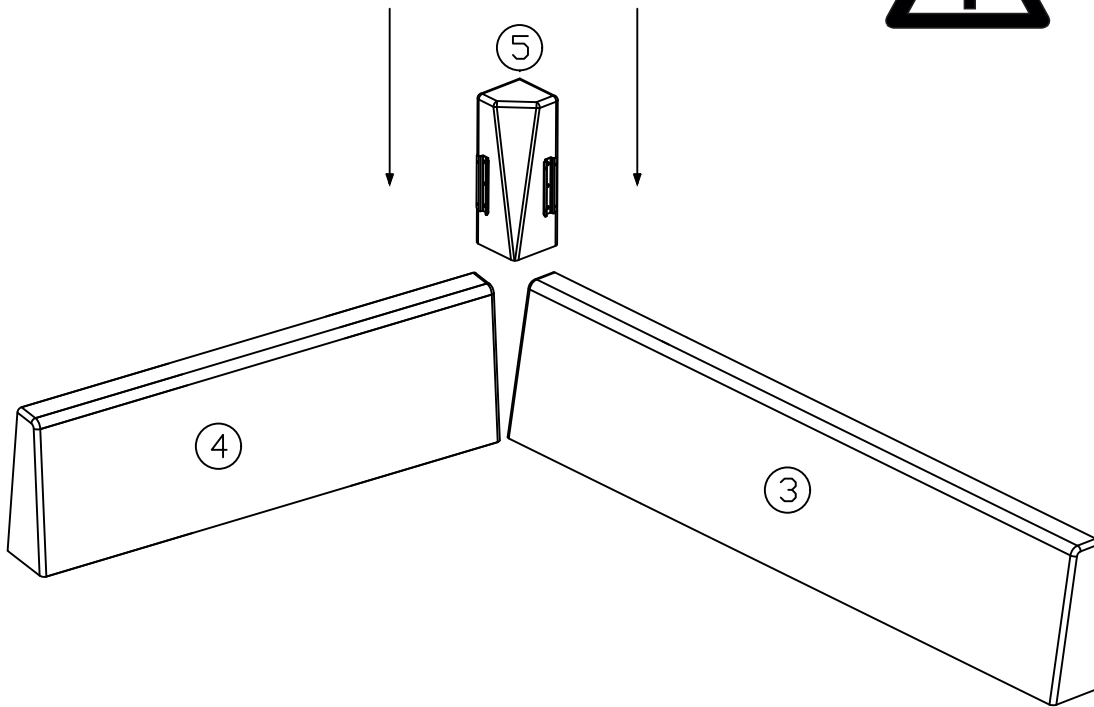
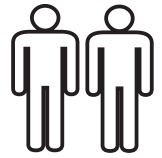


9. (P)

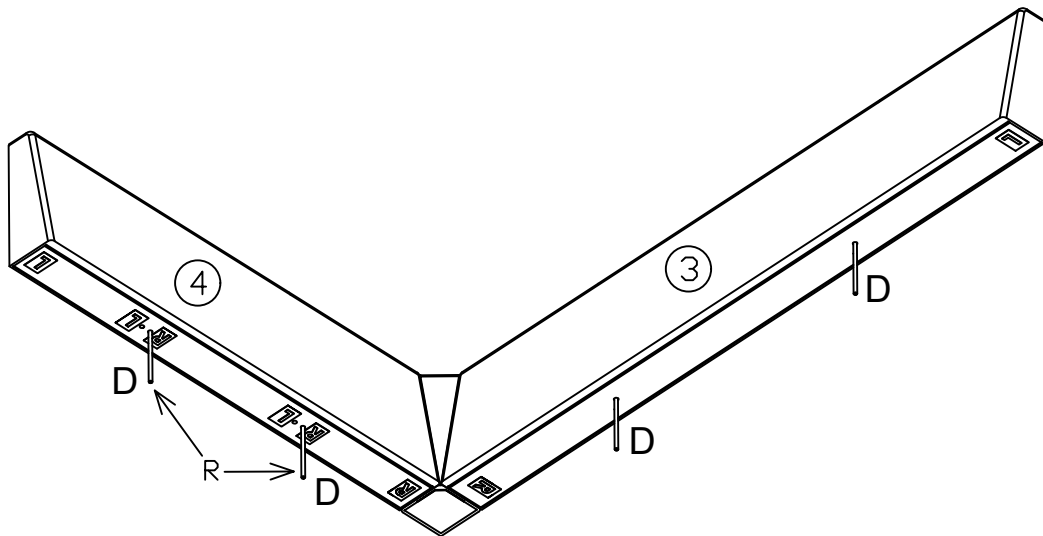


V.

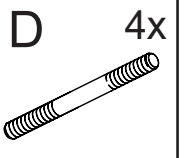
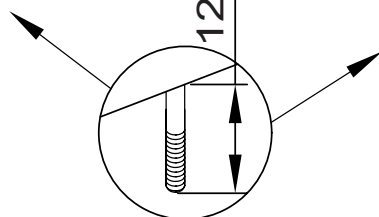
10. (P)



11. (P)

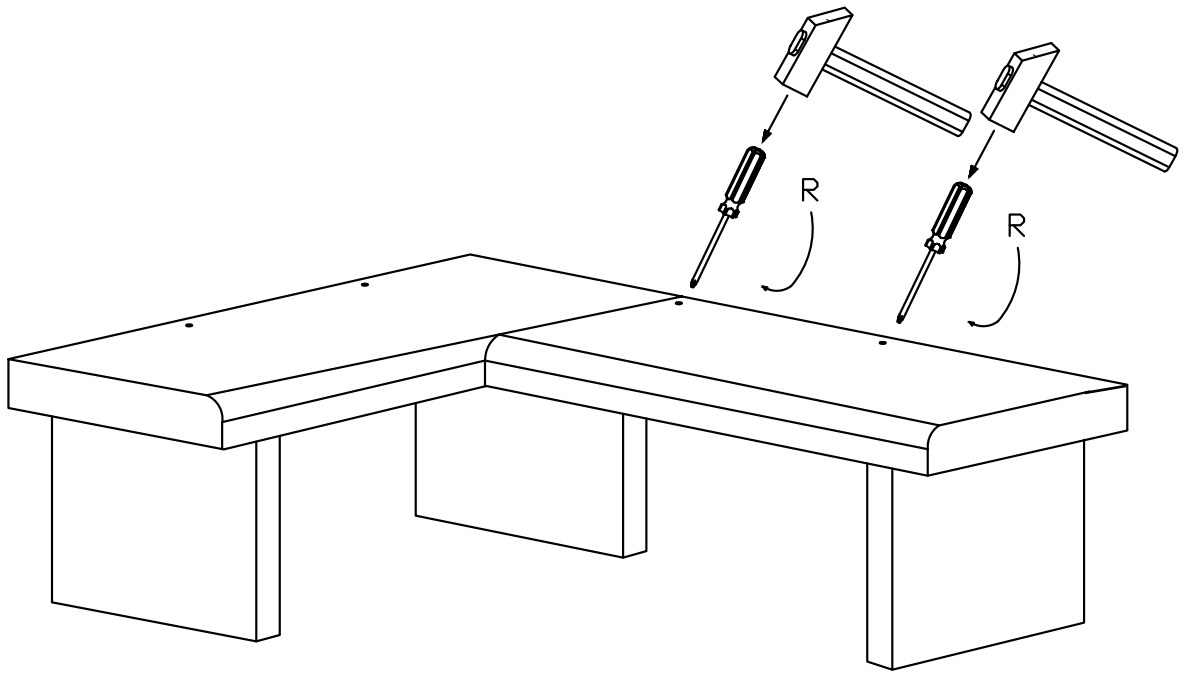


125 mm

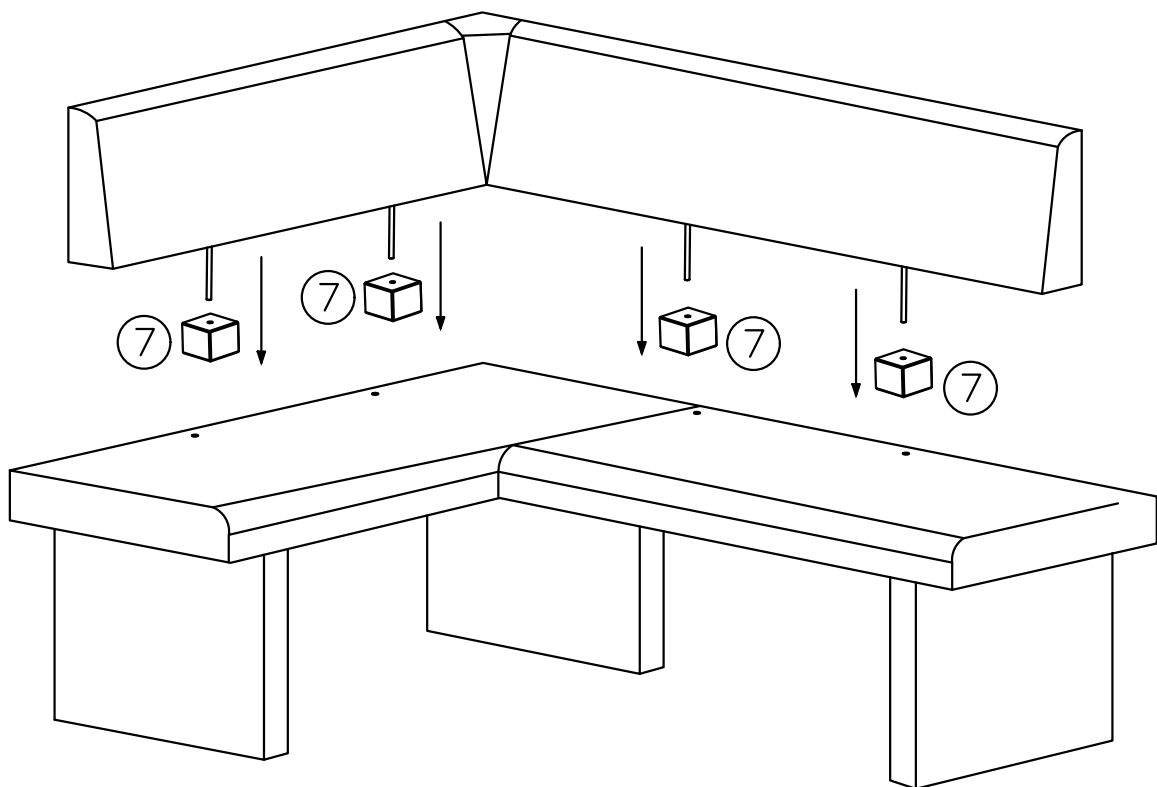


VI.

12. (P)

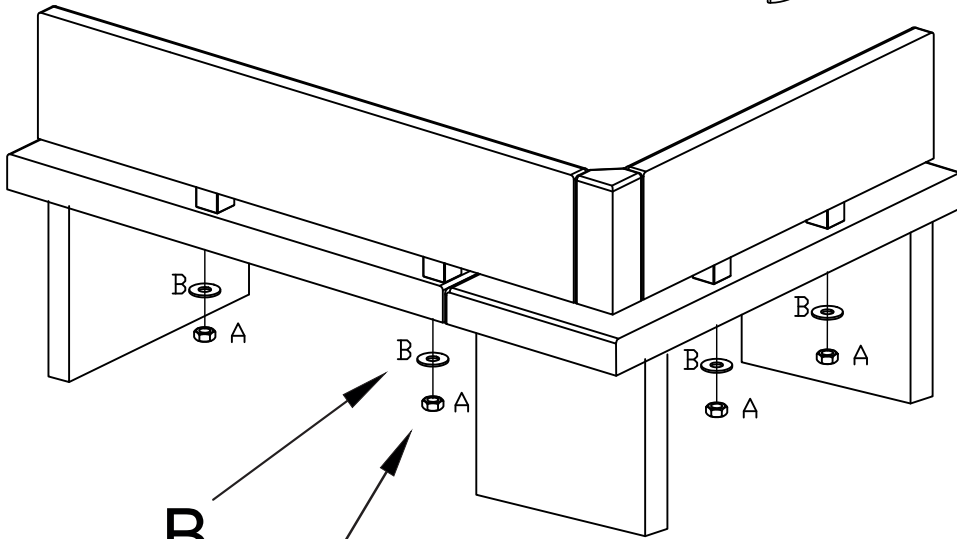
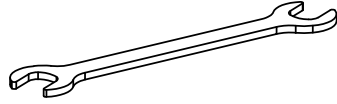


13. (P)



VII.

14.
(P)



A 4x



M8

B 4x



Ø8

4x B

B



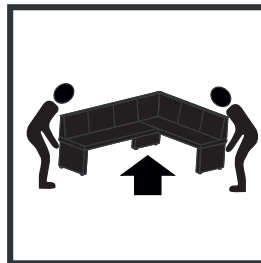
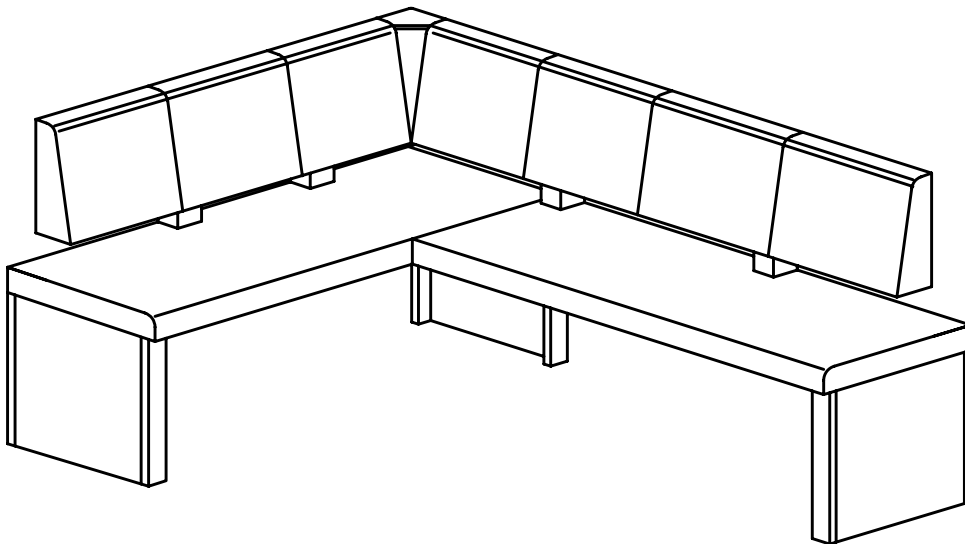
A



4x A

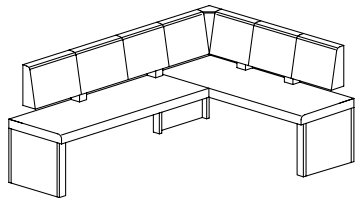
15.
(P)

PRAVÁ

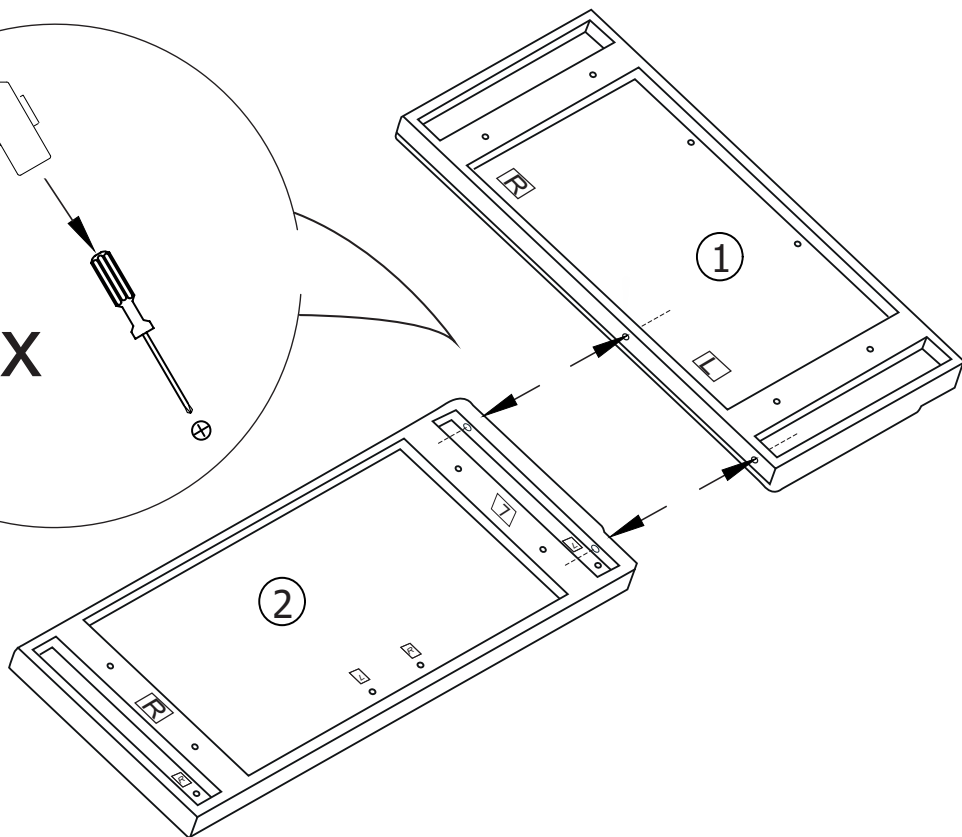
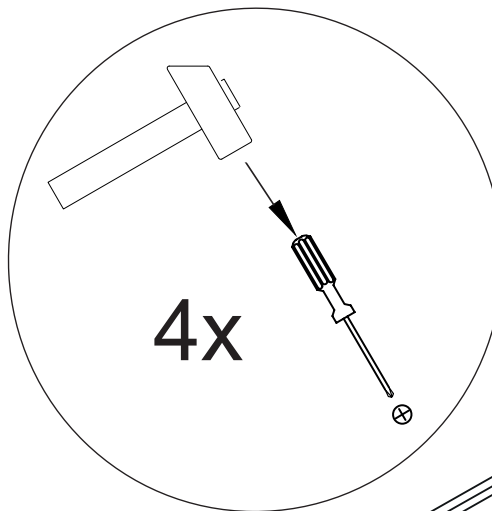


VIII.

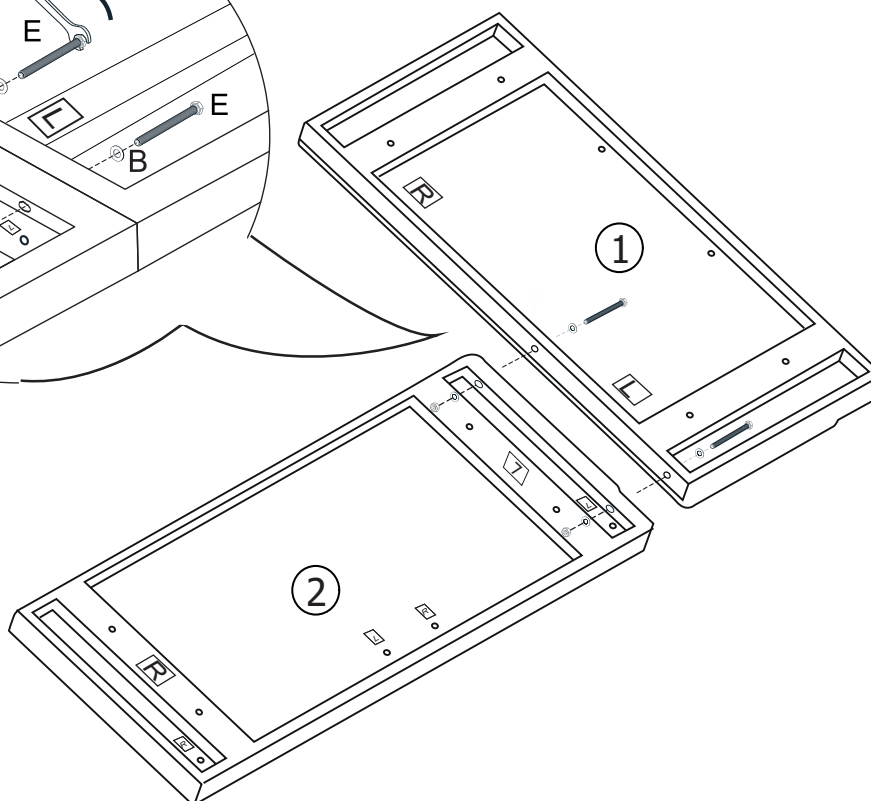
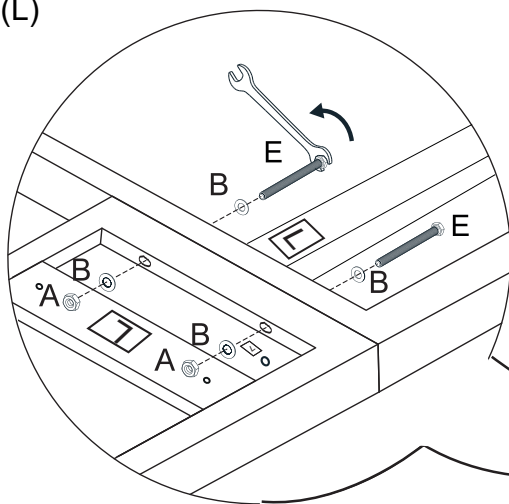
LEVÁ/ AVÁ



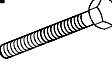


6. (L)



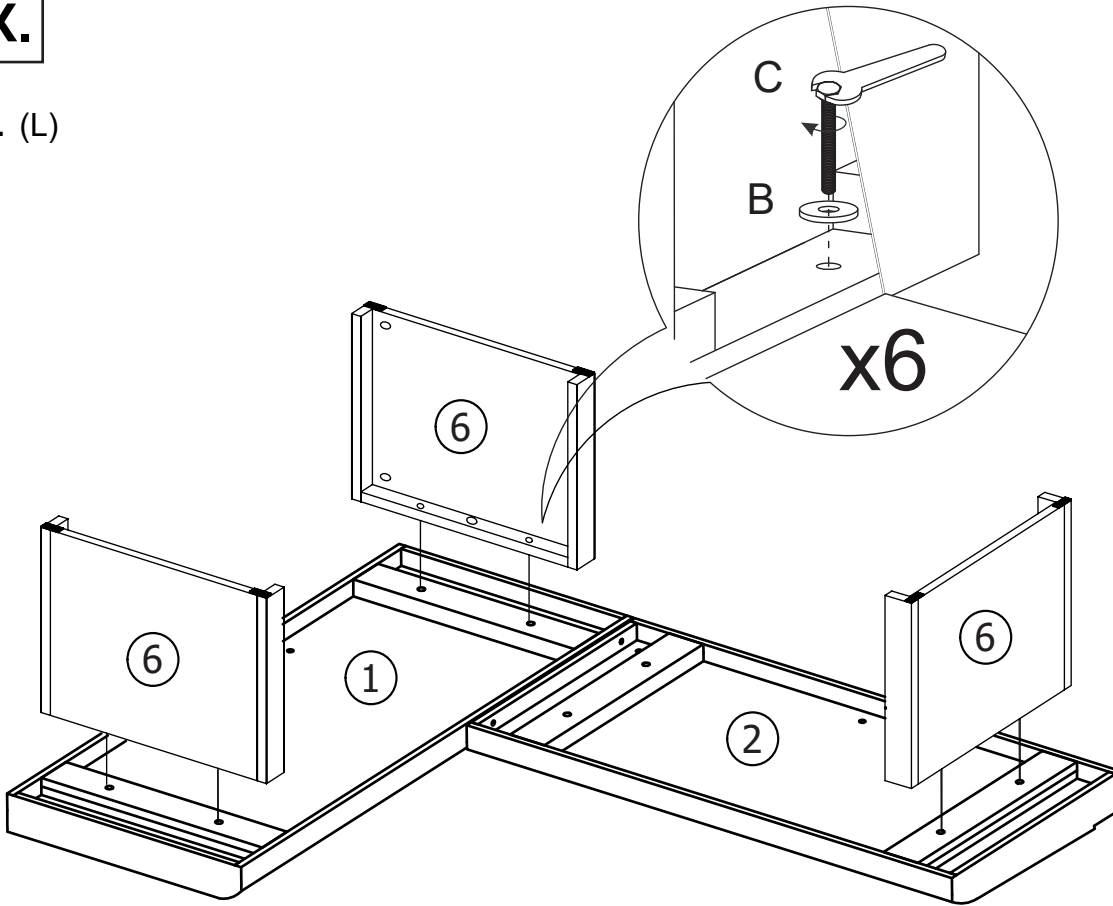
7. (L)



- A  2x
M8
- B  4x
Ø8
- E  2x
M8x60

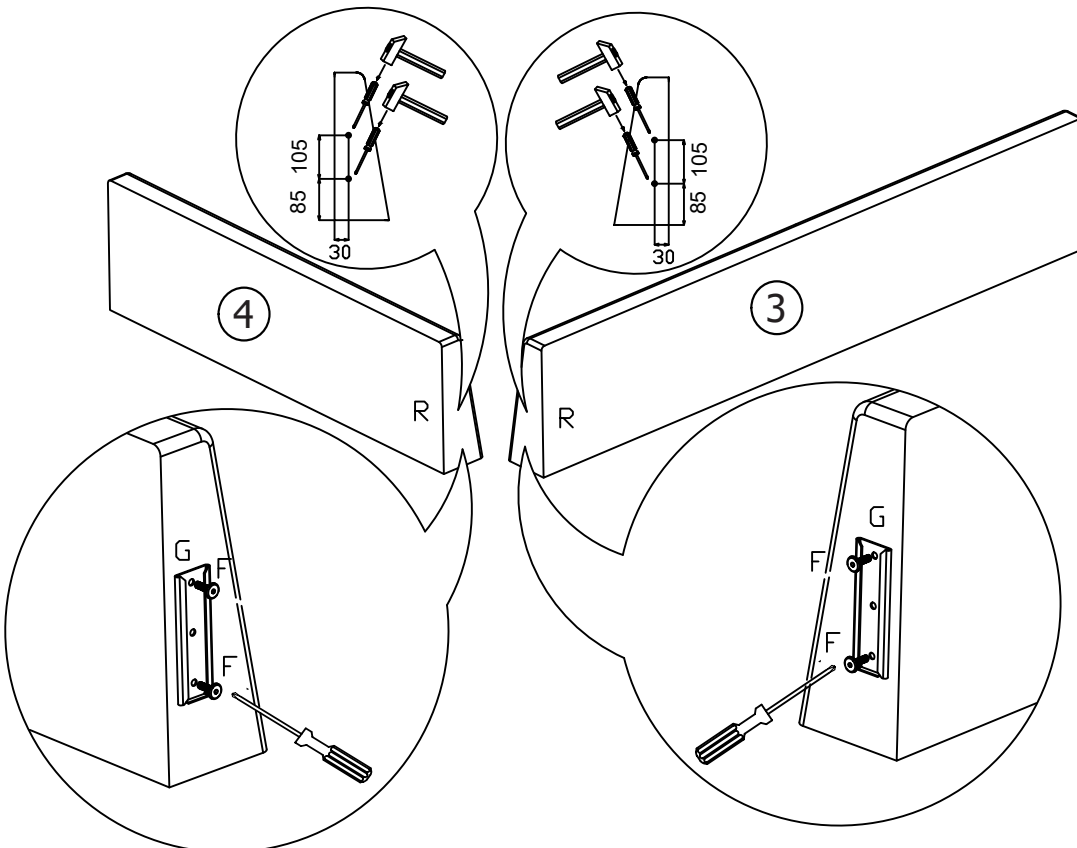
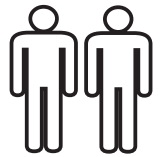
IX.

8. (L)



- C 6x
M8x70
- B 6x
Ø8

9. (L)

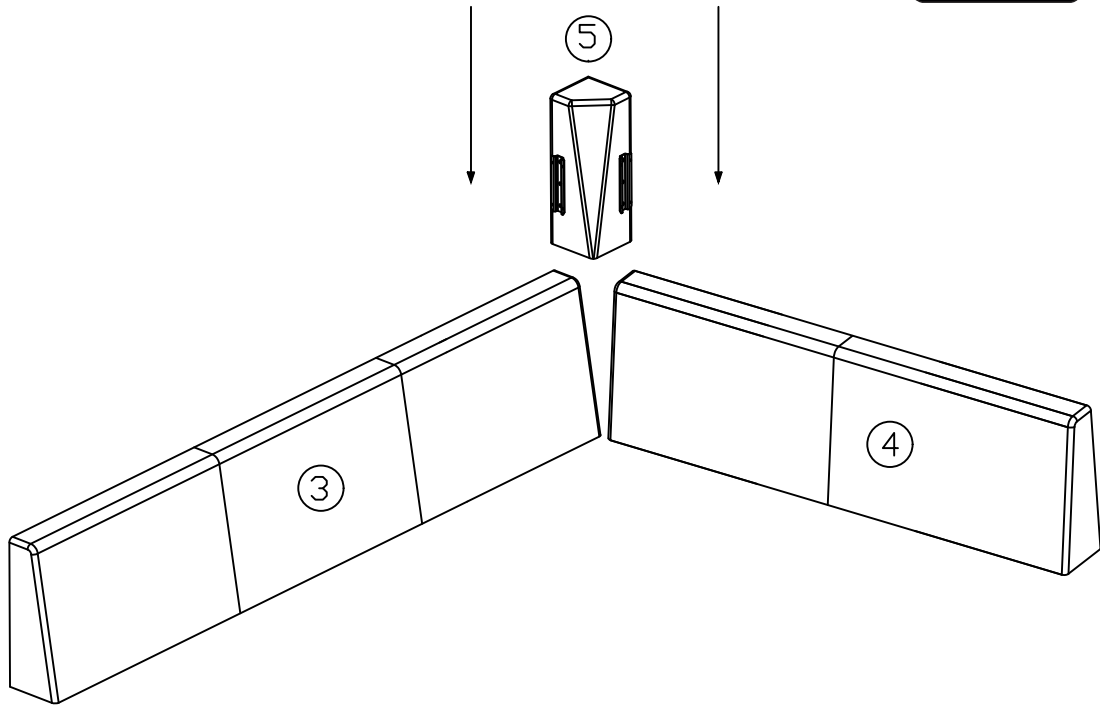


- F 4x
M6x20
- G 2x

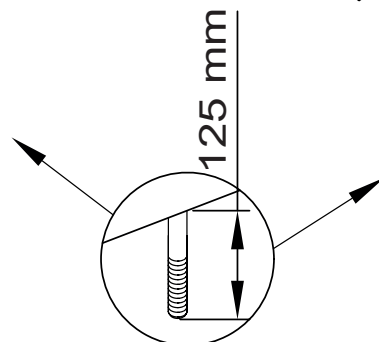
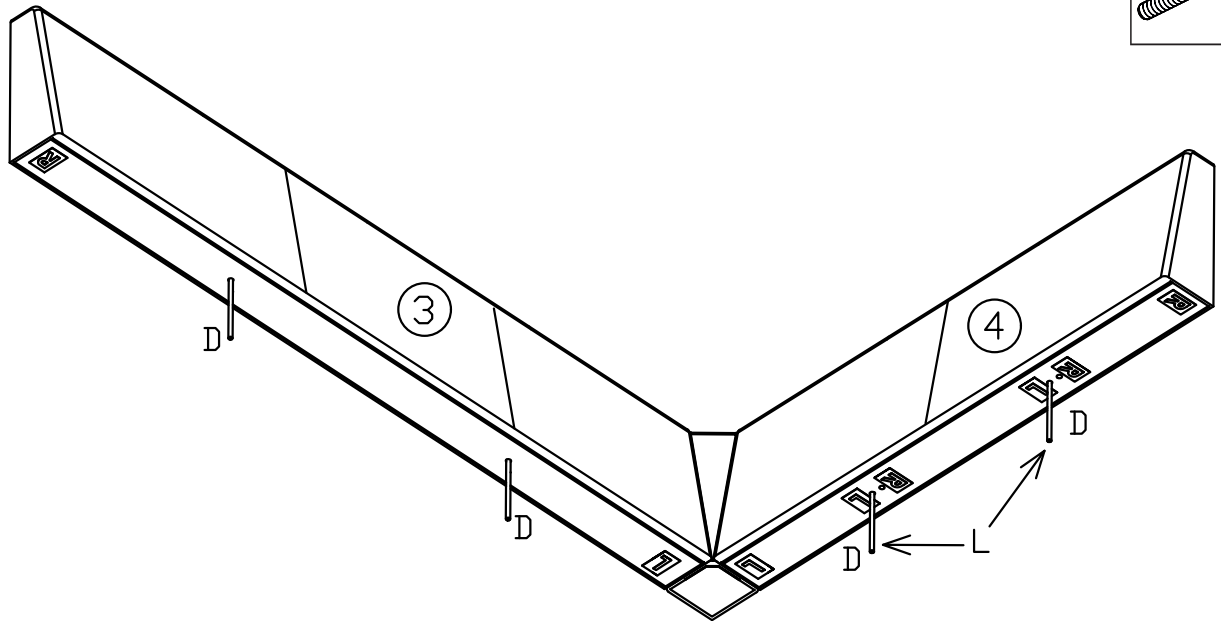
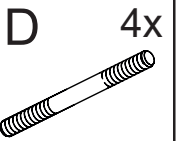
X.



10.
(L)

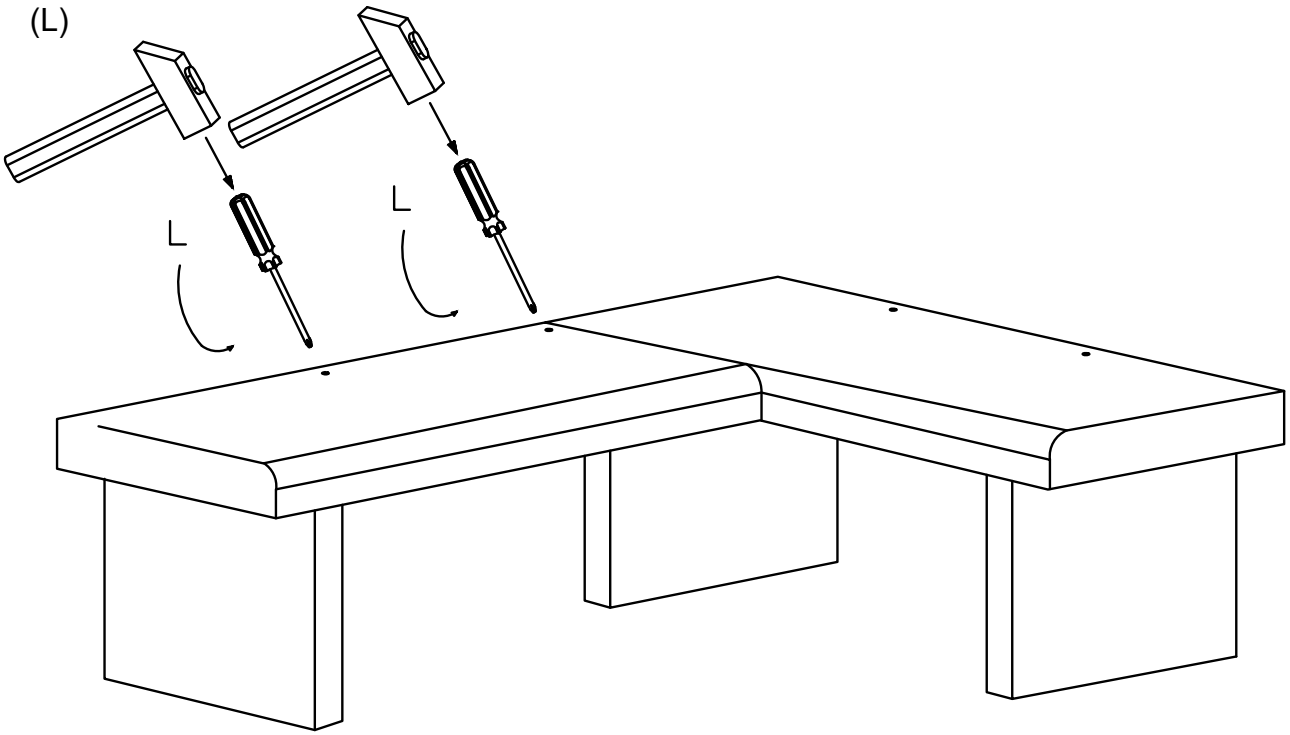


11.
(L)

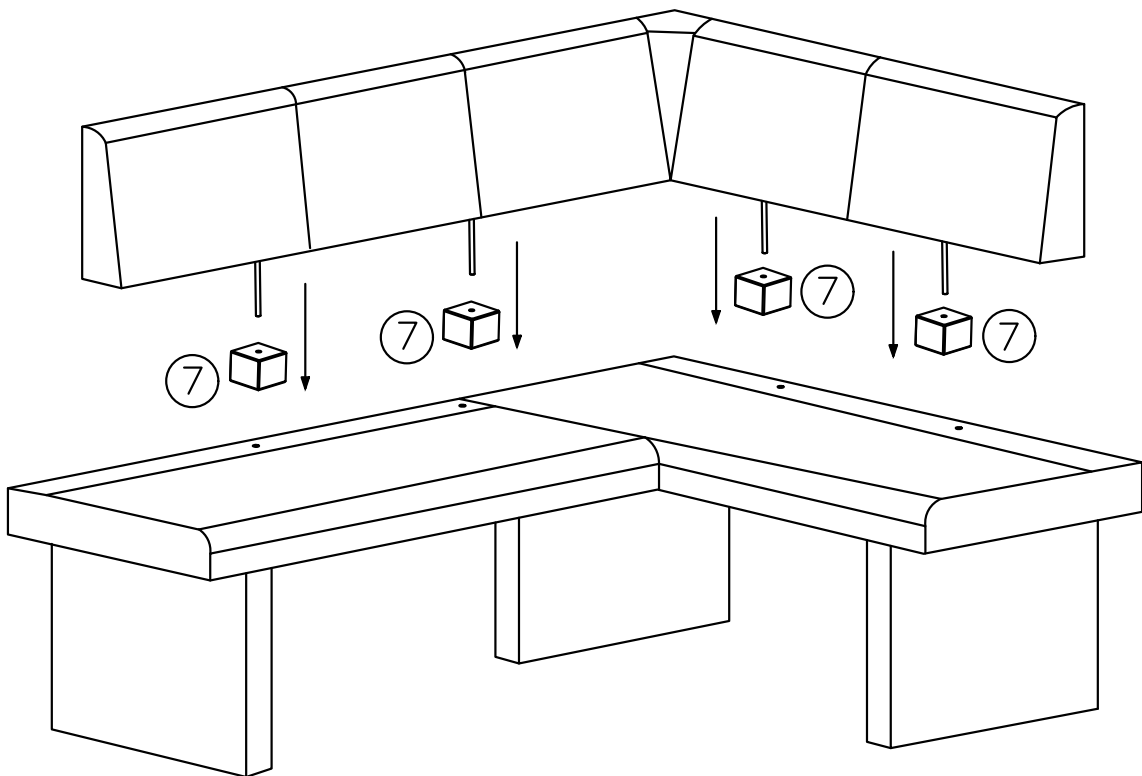
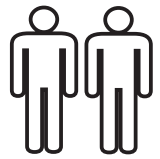


XI.

12.
(L)

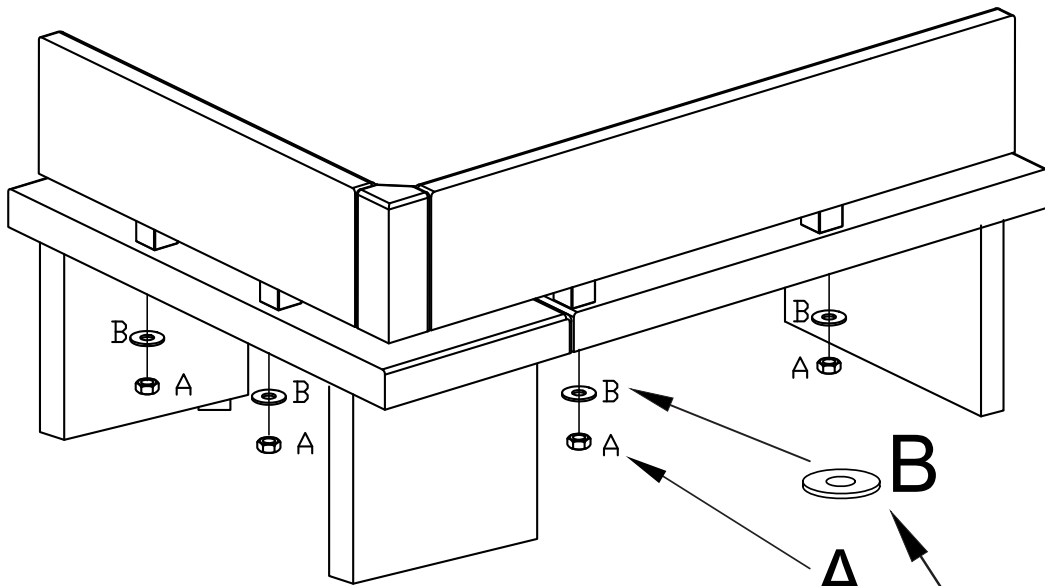




13.
(L)

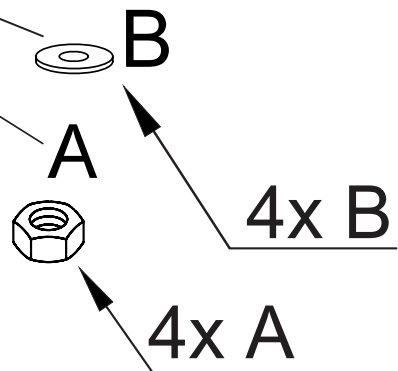


XII.

14.
(L)



A		4x
	M8	
B		4x
	Ø8	



15.
(L)

LEVÁ/ AVÁ

