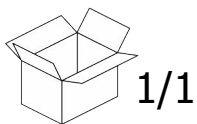
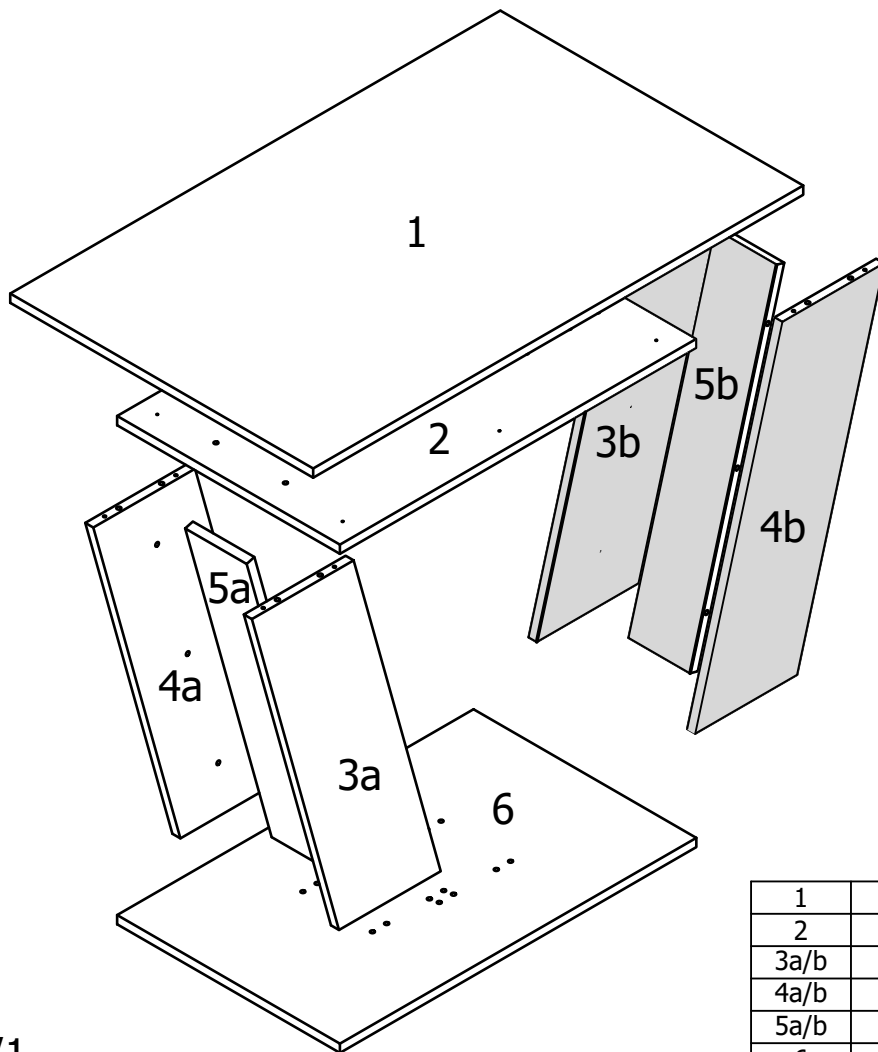
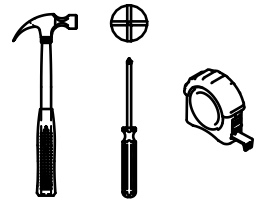
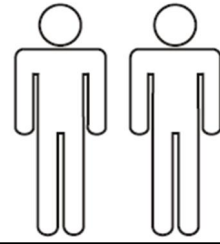
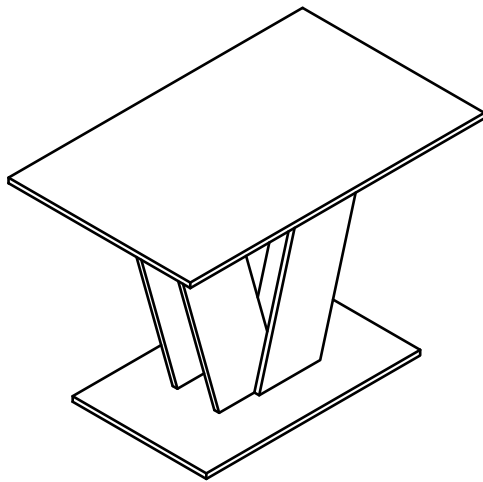
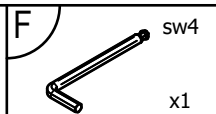
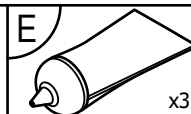
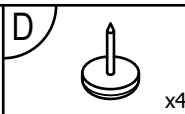
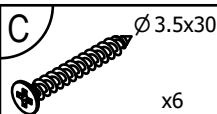
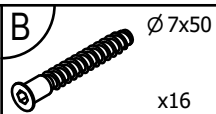
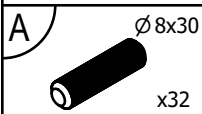


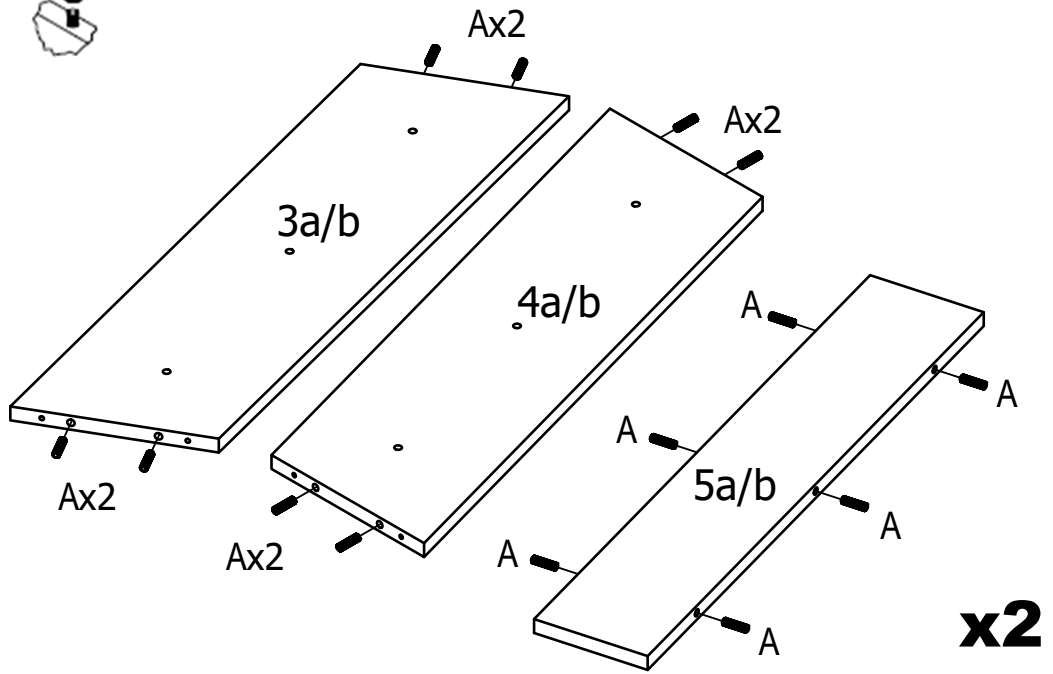
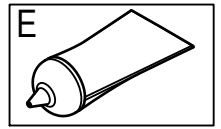
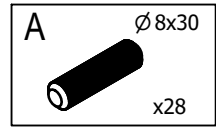
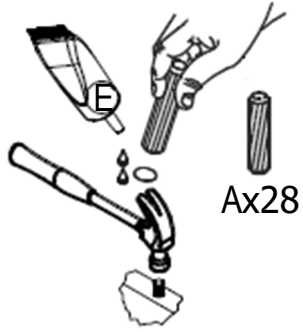
038511



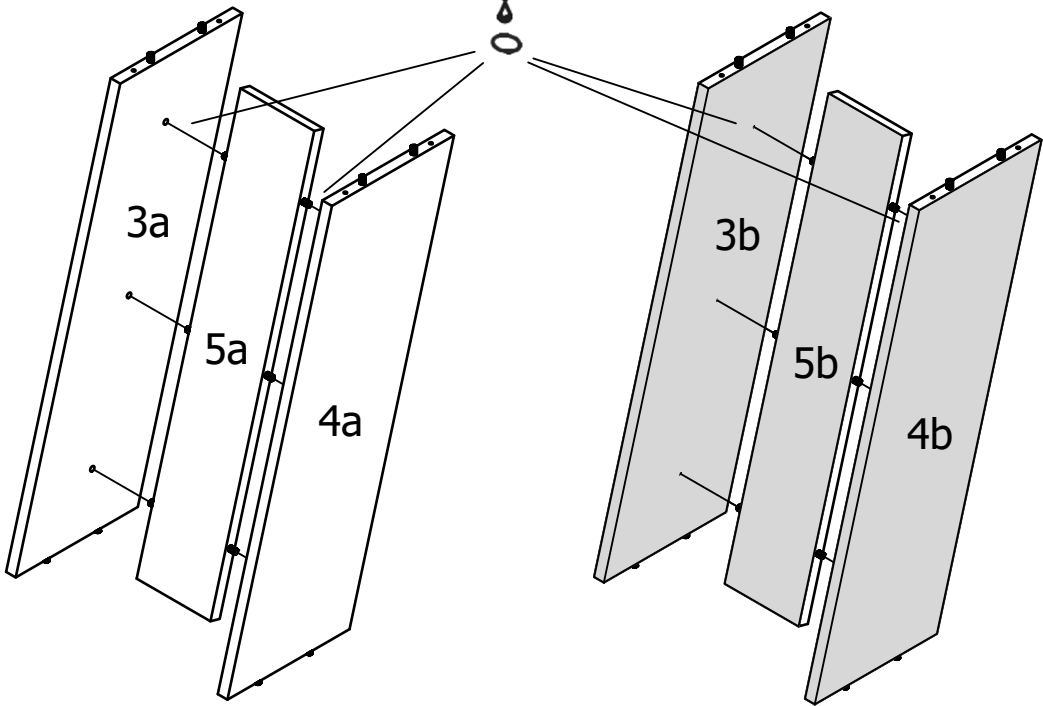
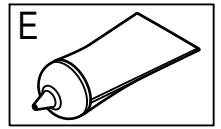
1	1x	1100x680x18
2	1x	800x500x18
3a/b	2x	790x220x18
4a/b	2x	790x220x18
5a/b	2x	724x138x18
6	1x	800x500x18



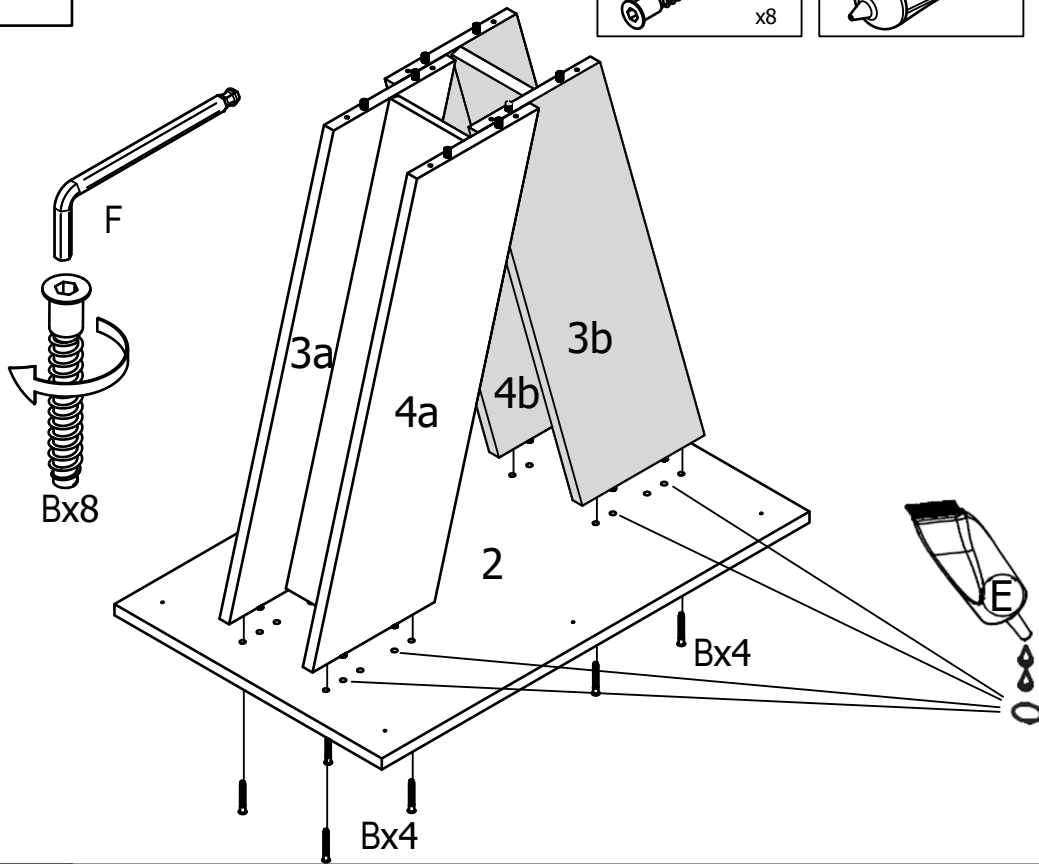
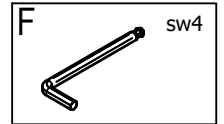
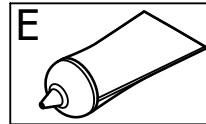
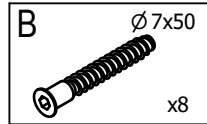
I.



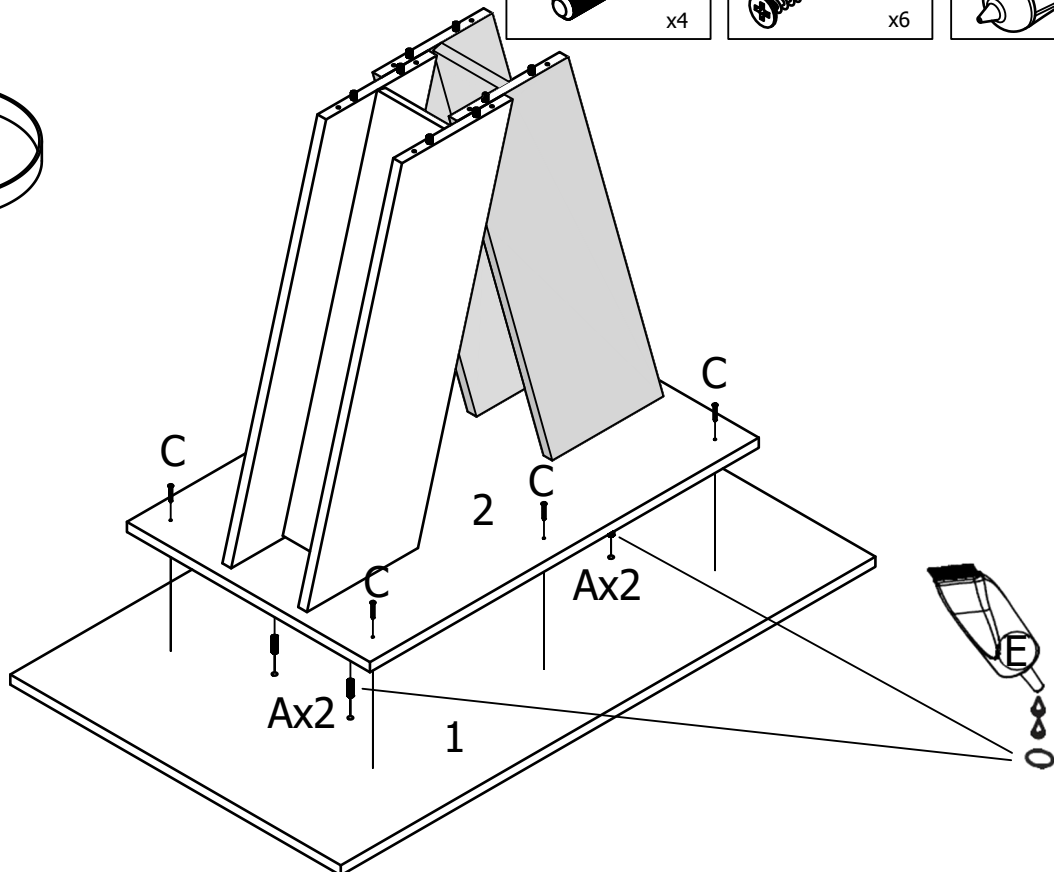
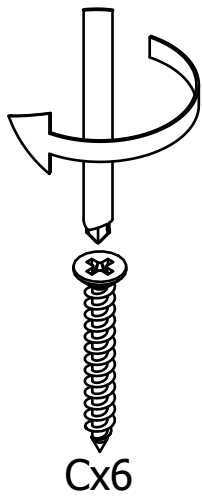
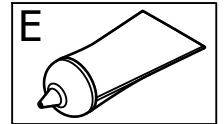
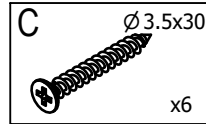
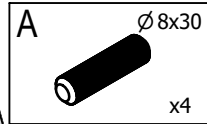
II.



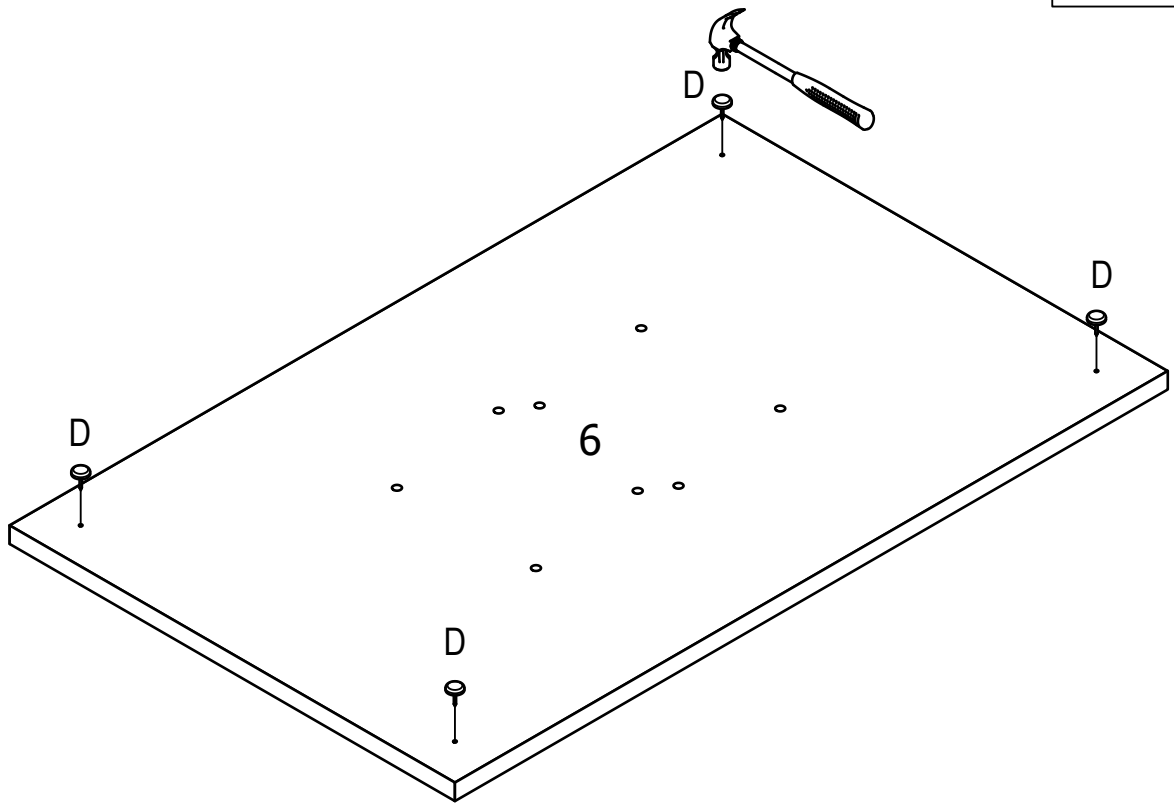
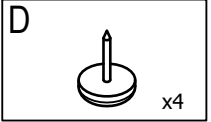
III.



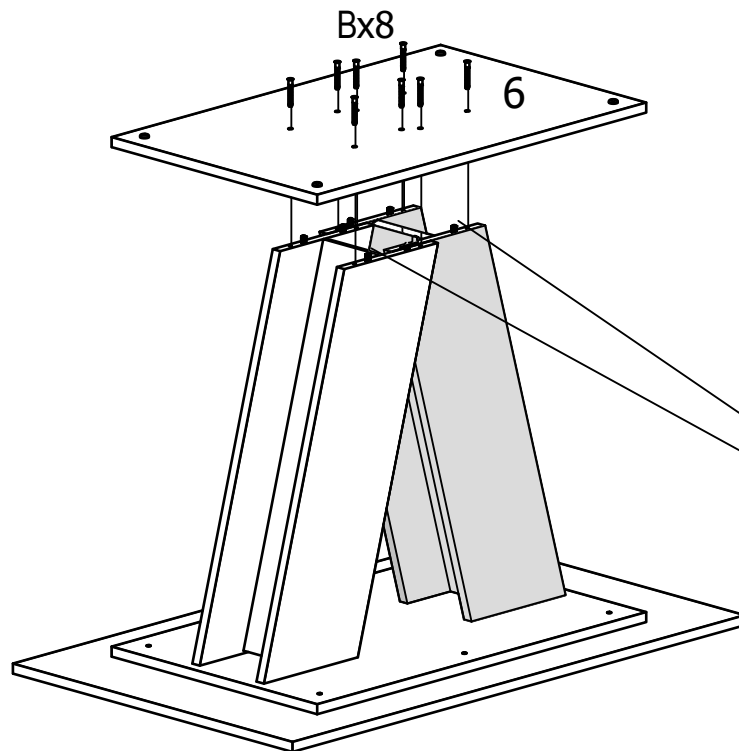
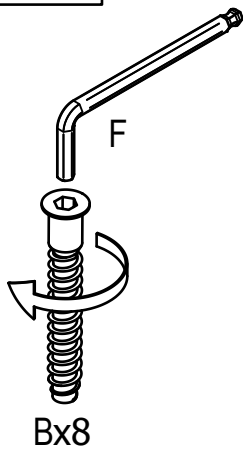
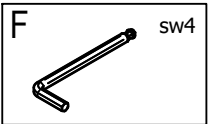
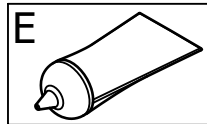
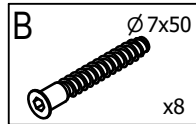
IV.



V.



VI.



III.

