

8x30



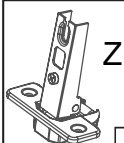
16



16



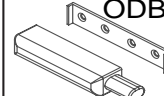
16



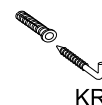
4



4



2



KR

2



6

X



16

4x16



8

4.0x30



H4

4

ZA





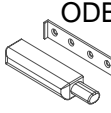

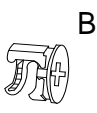
2

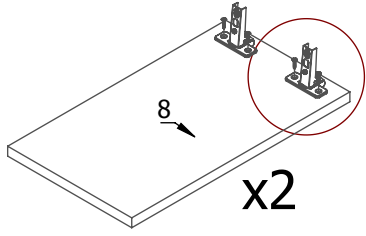
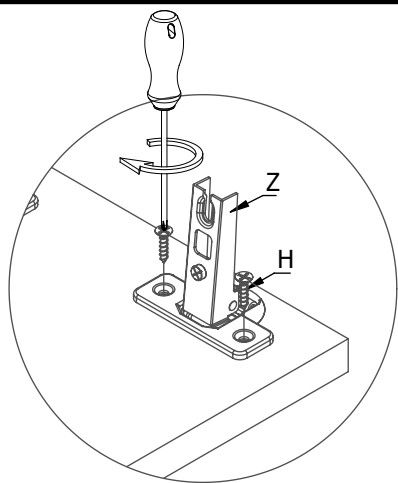
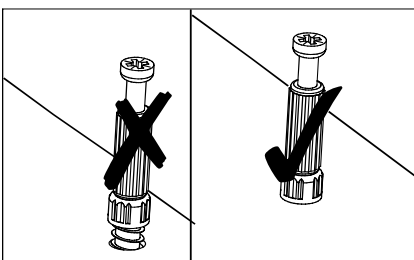
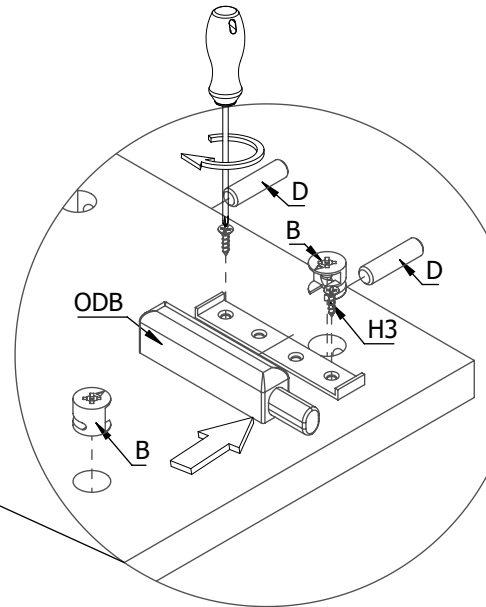
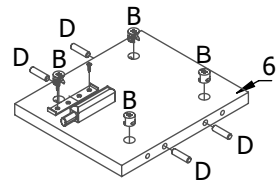
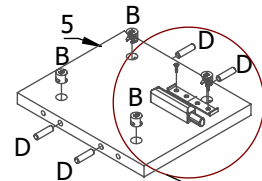
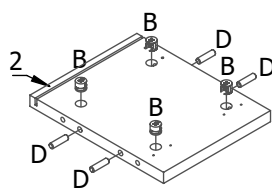
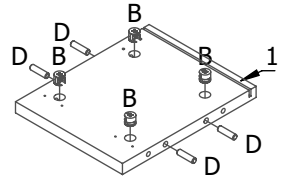
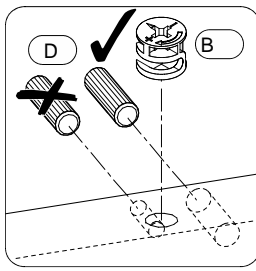
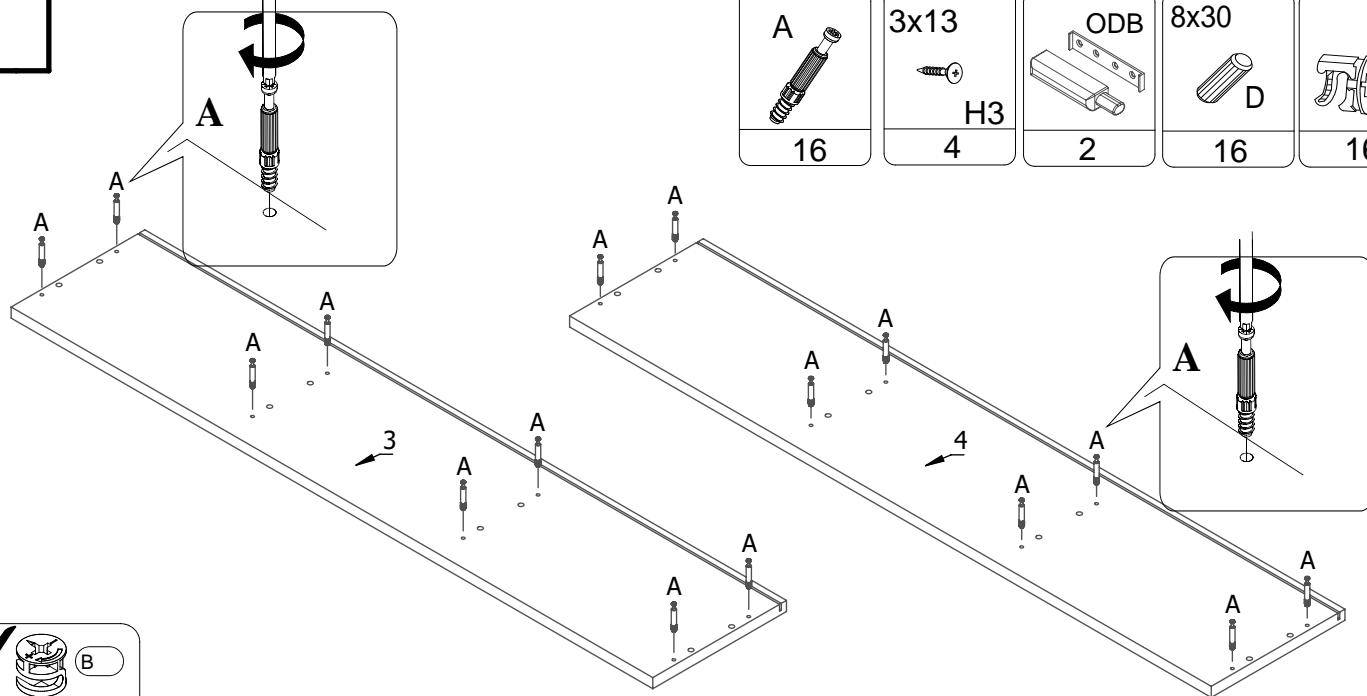
3x13

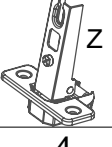



H3

4

 <b>A</b> 16	<b>3x13</b>  <b>H3</b> 4	<b>ODB</b>  2	<b>8x30</b>  <b>D</b> 16	<b>B</b>  16
--	---	---	---	--



 <b>Z</b> 4	<b>4x16</b>  <b>H</b> 8
--	---

