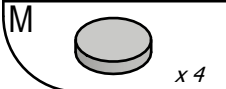
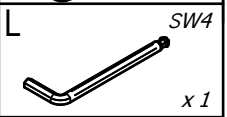
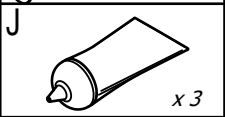
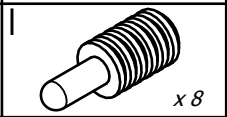
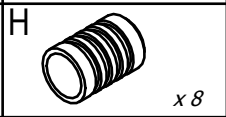
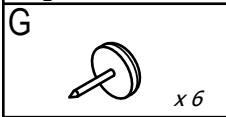
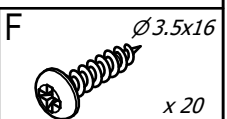
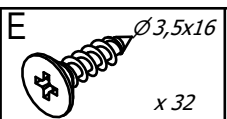
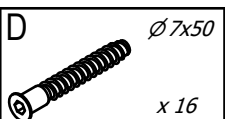
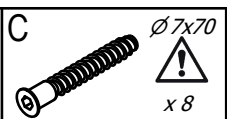
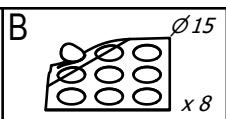
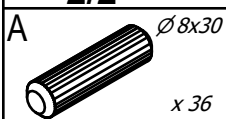
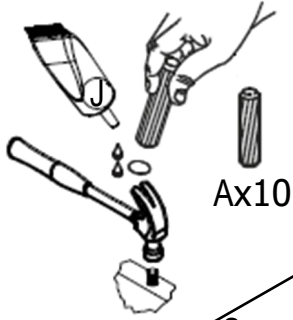


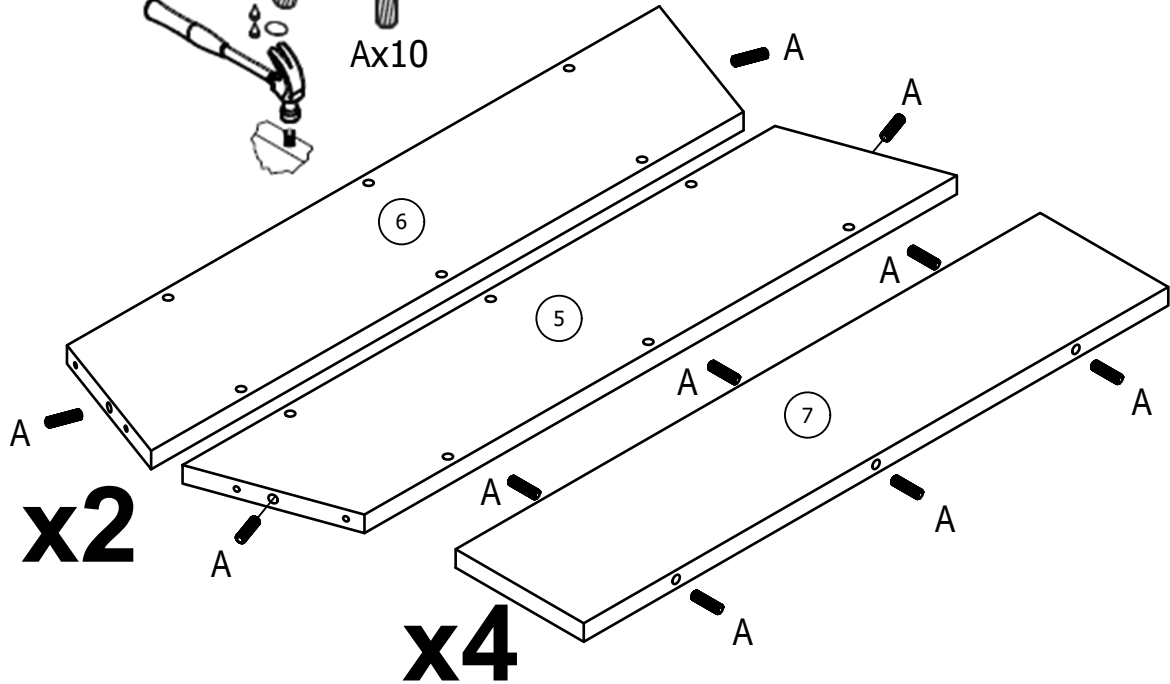
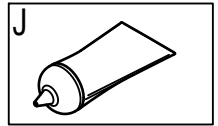
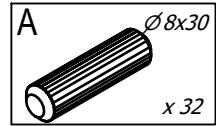
1/2	1a/b	2x	900x700x36
2/2	2	1x	900x400x36
2/2	3	1x	1000x500x18
2/2	4	2x	998x70x18
1/2	5	2x	717x150x18
2/2	6	2x	717x150x18
1/2	7	4x	655x144x18
2/2	8	1x	1000x500x25
1/2	A3	2x	L-850



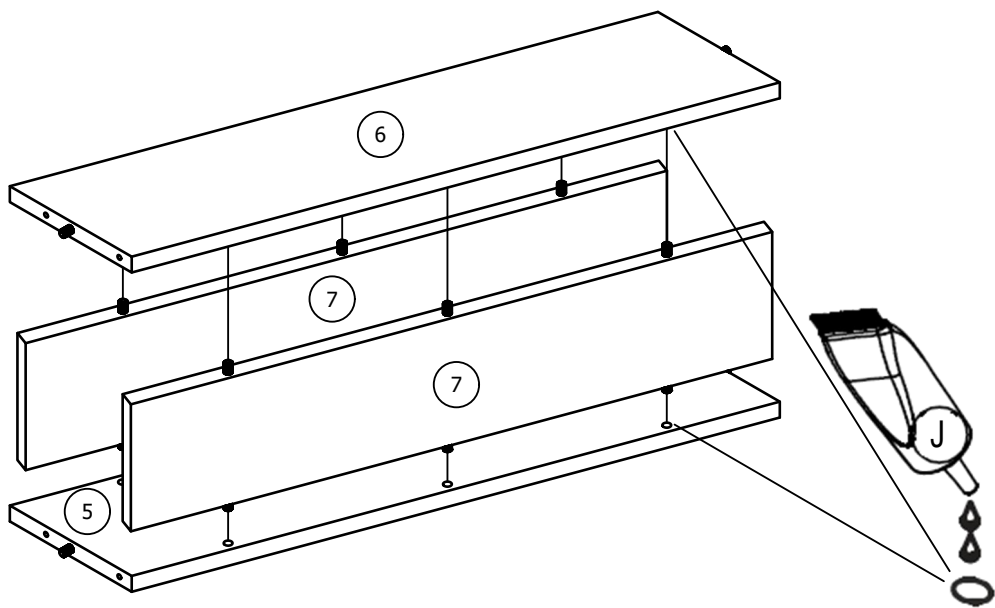
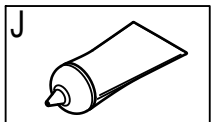
I.



Ax10

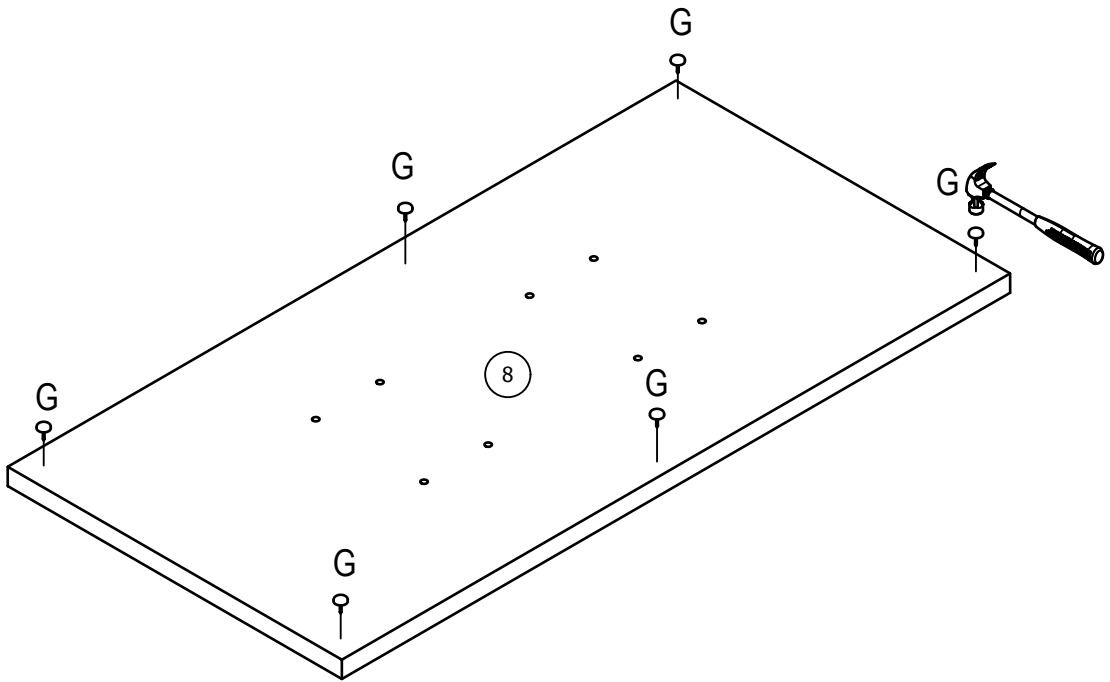
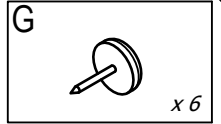


II.

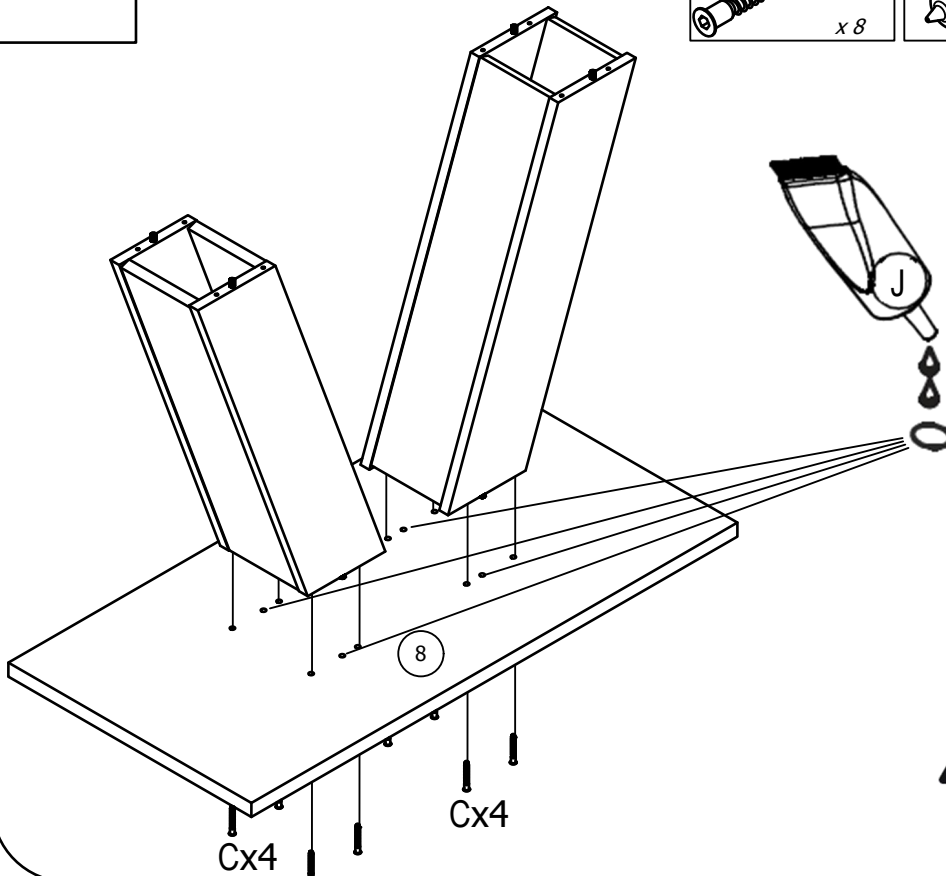
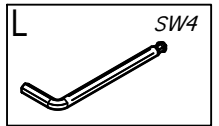
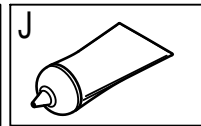
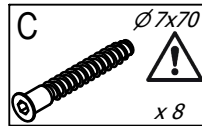


x2

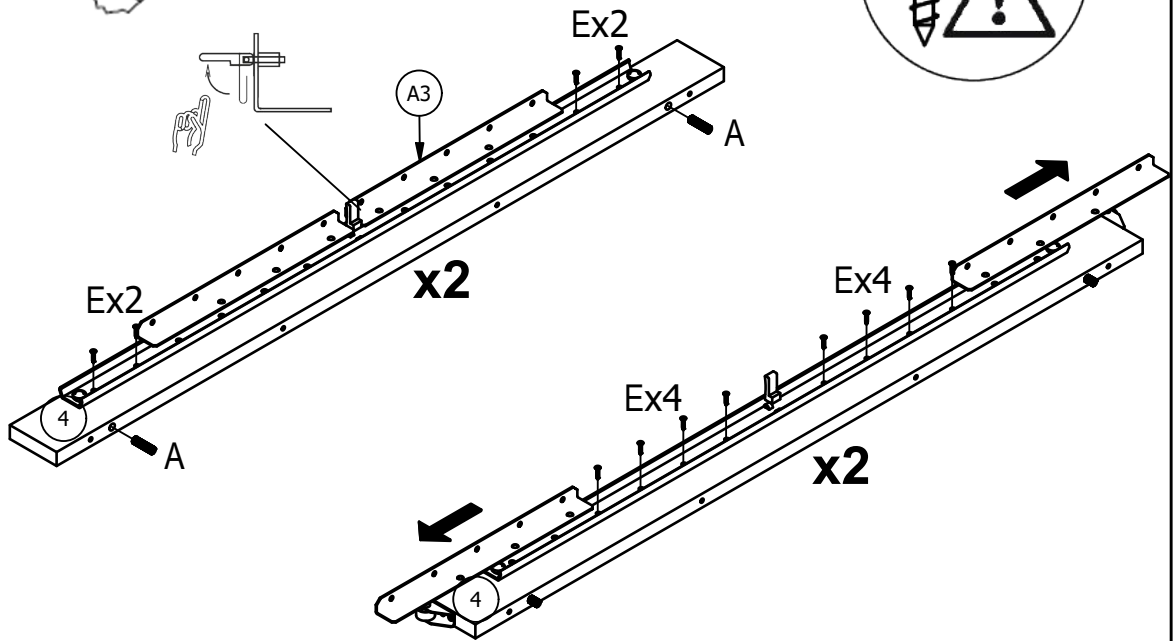
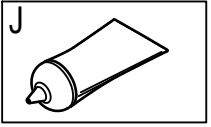
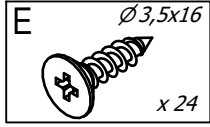
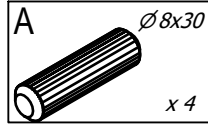
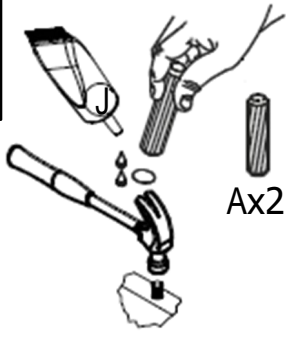
III.



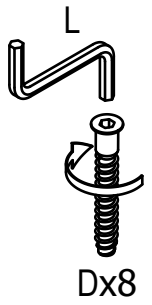
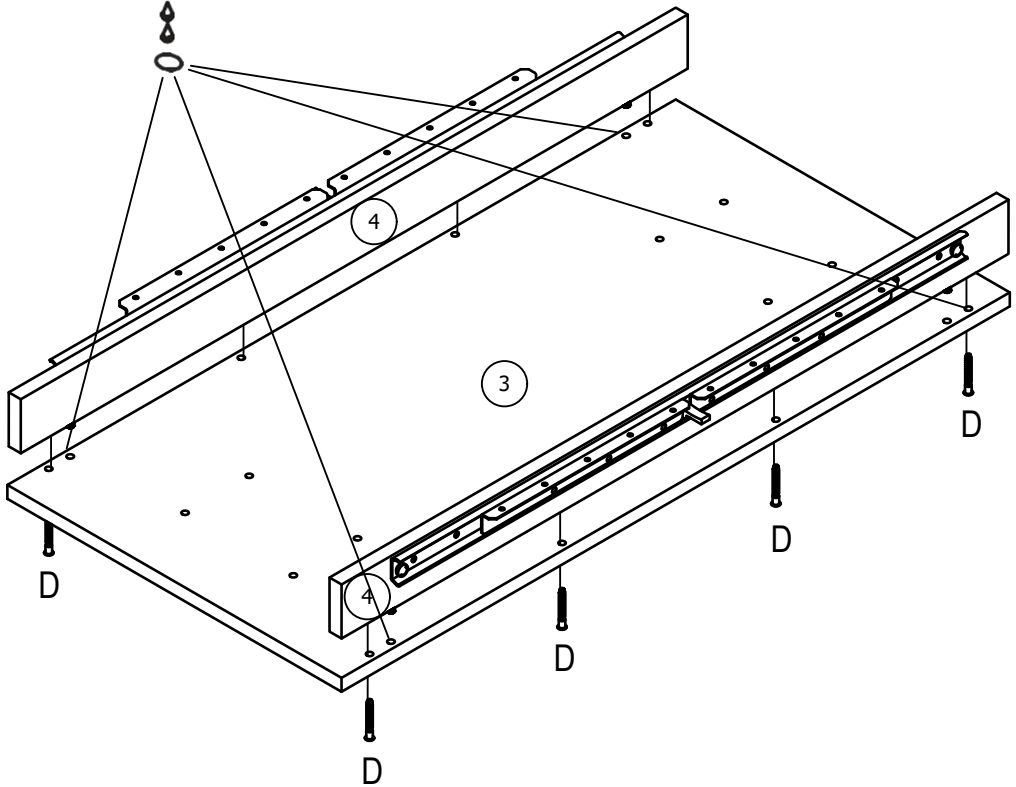
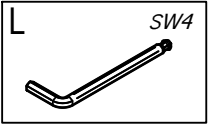
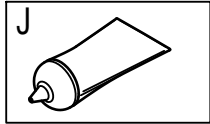
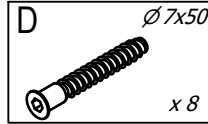
IV.



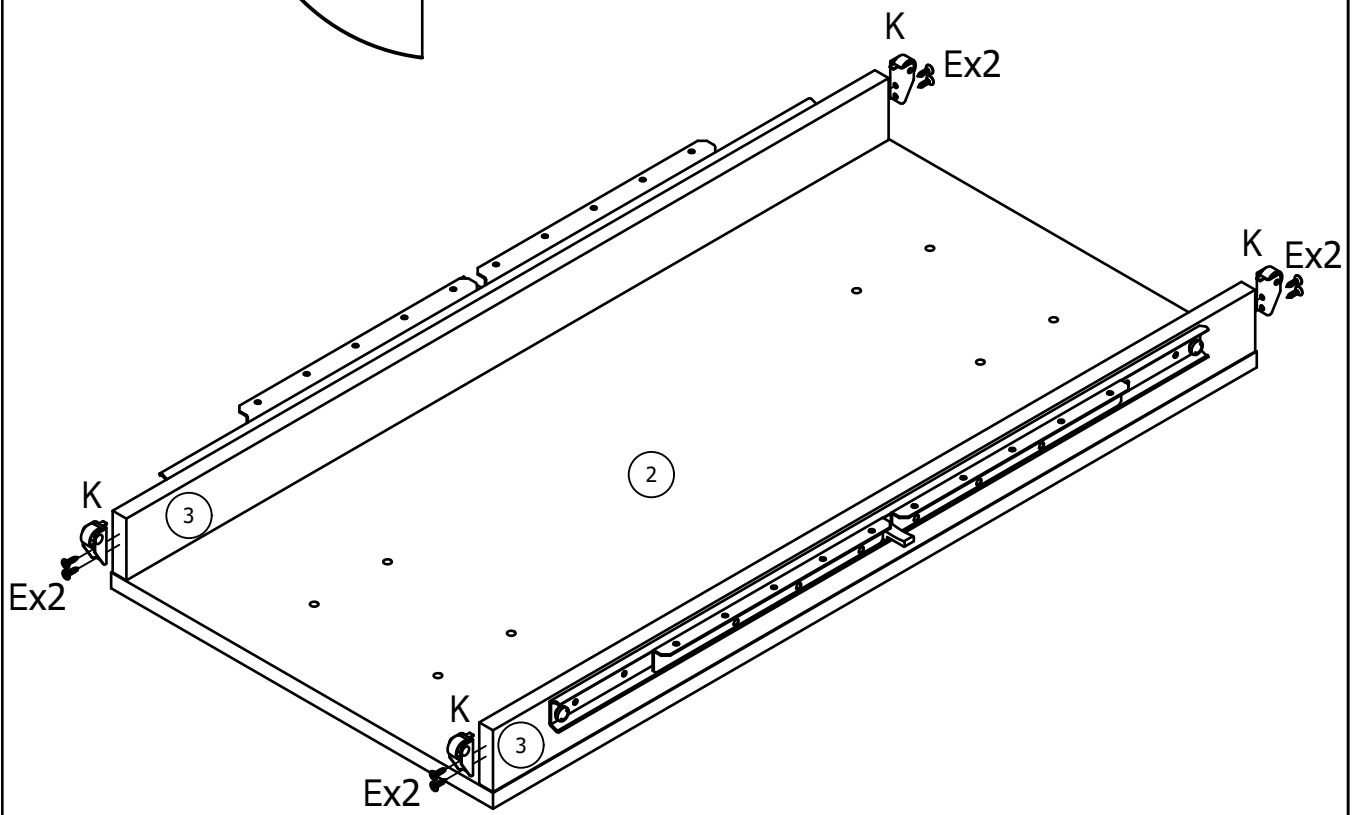
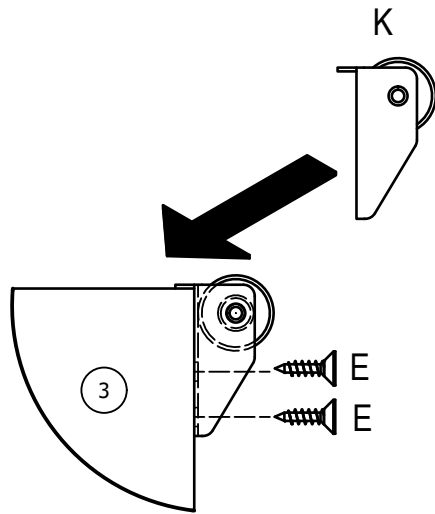
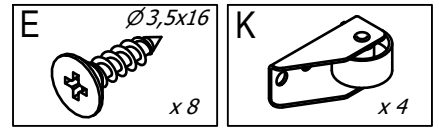
V.



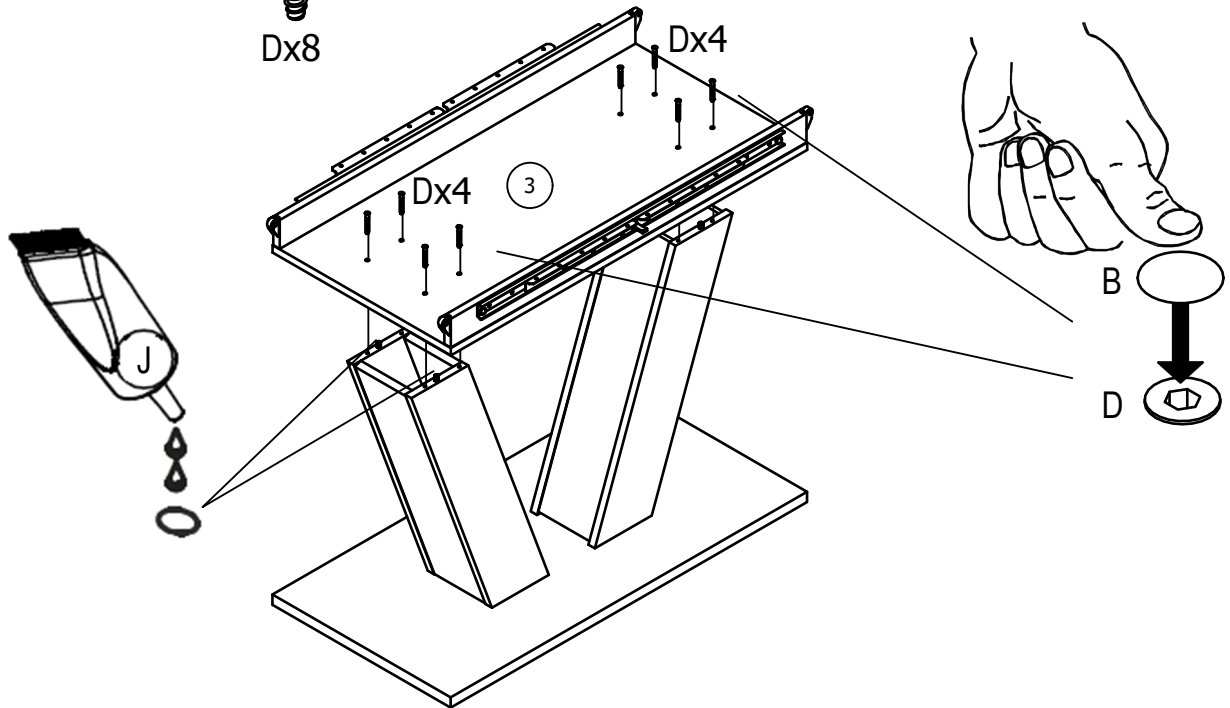
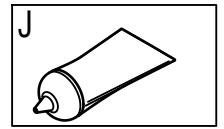
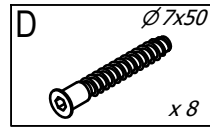
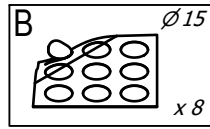
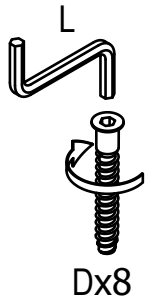
VI.



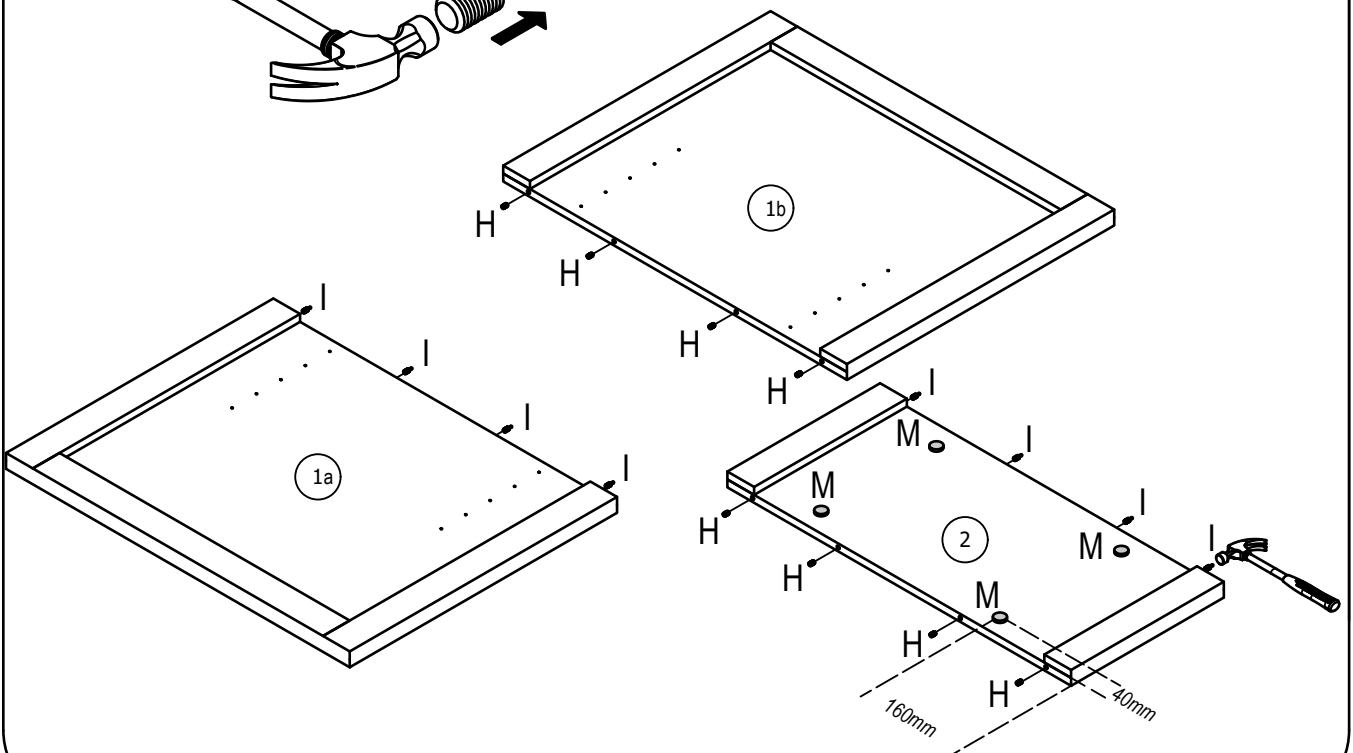
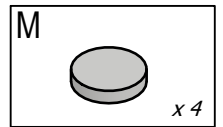
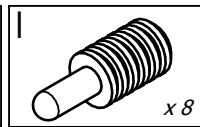
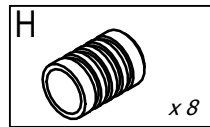
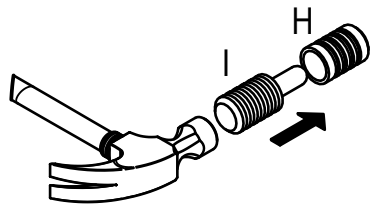
VII.



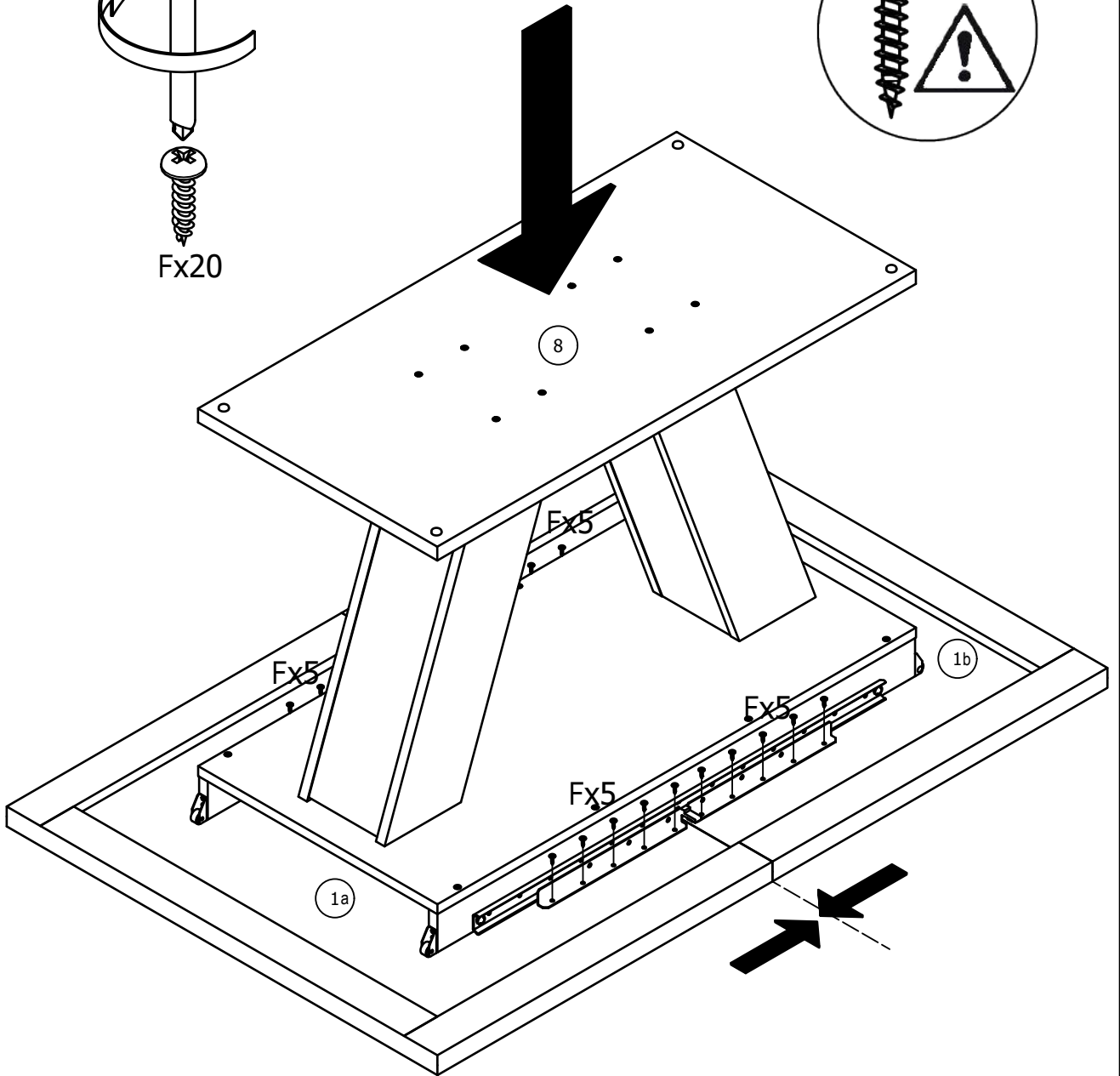
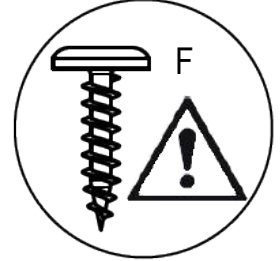
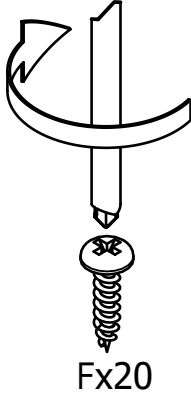
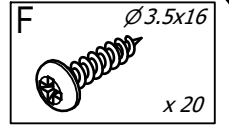
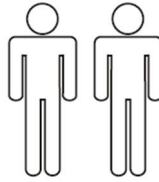
VIII.



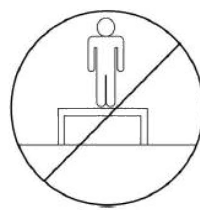
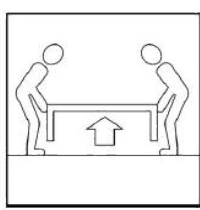
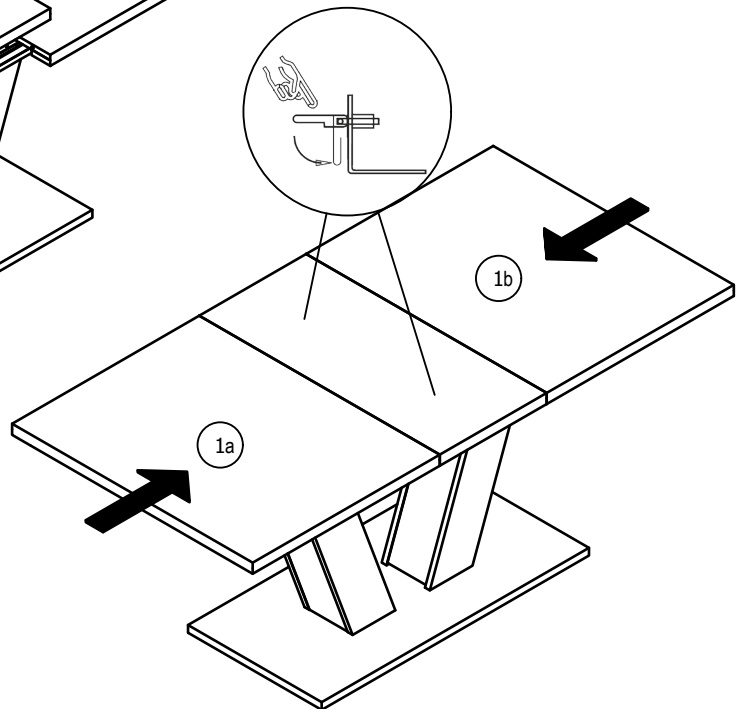
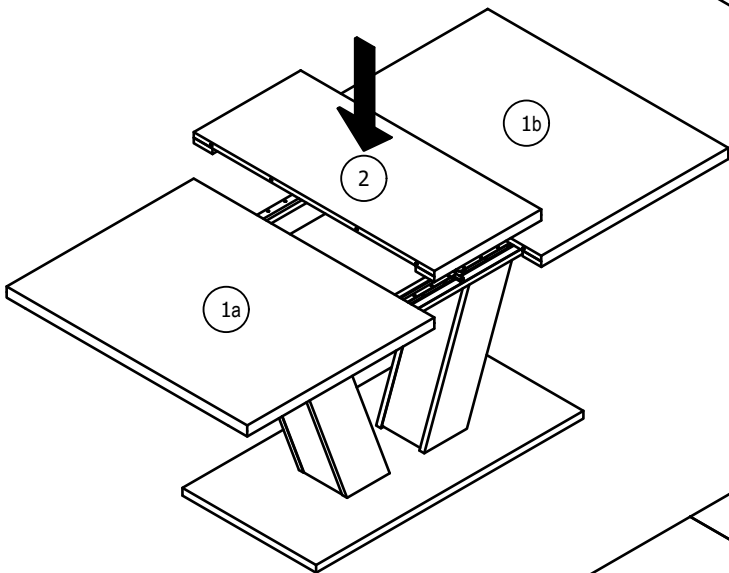
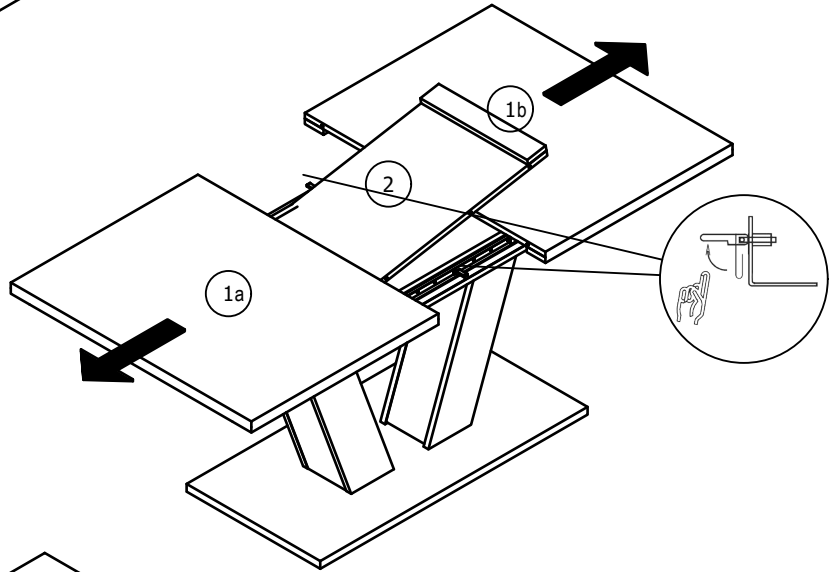
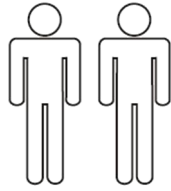
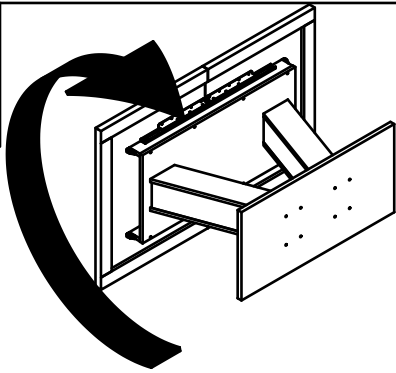
IX.



X.



XI.



Séparez les éléments avant de trier