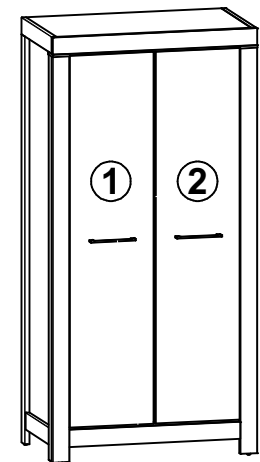
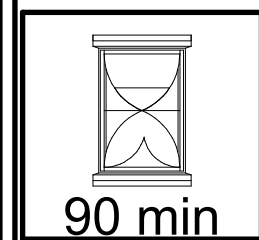


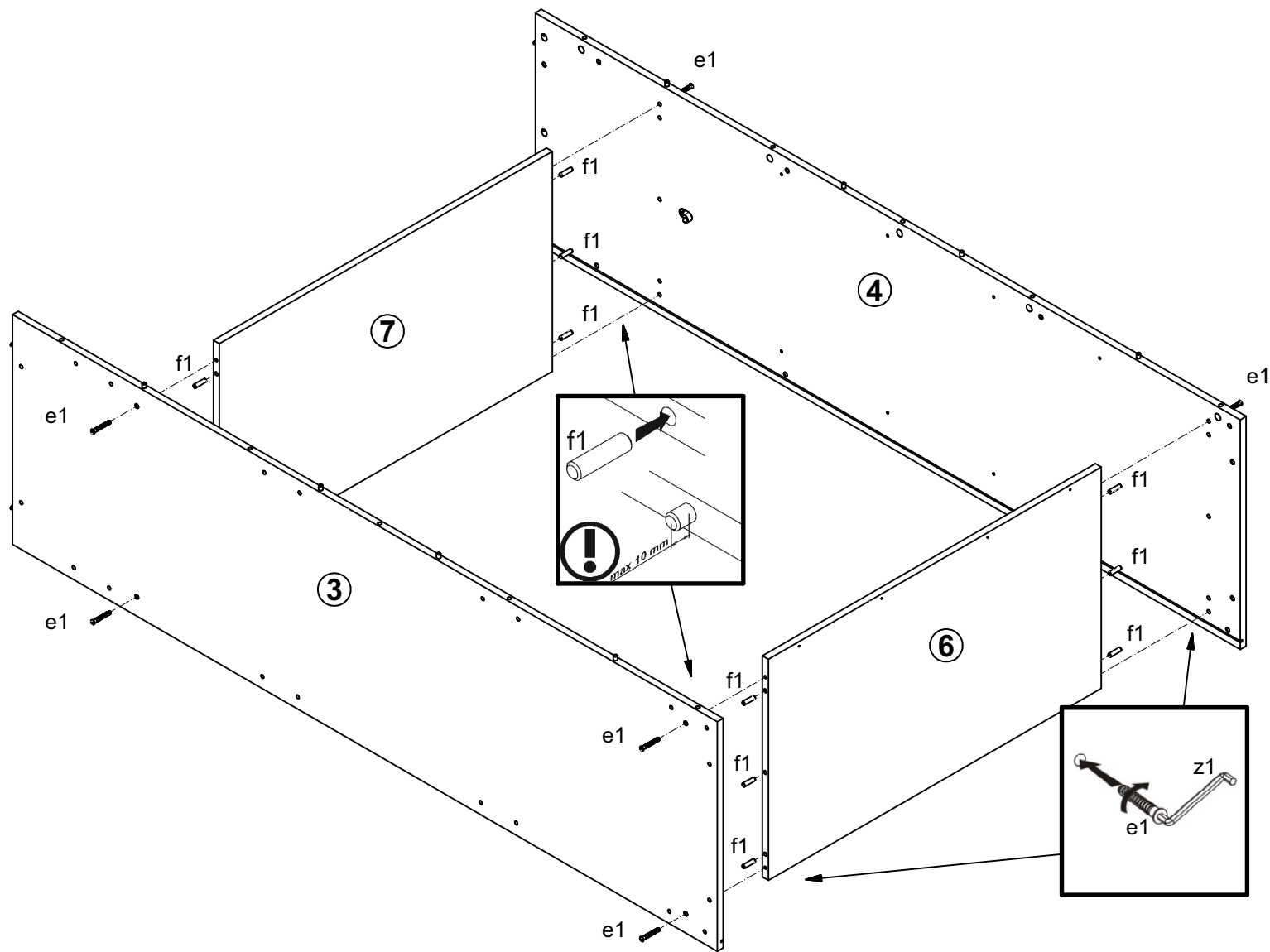
A	B	C (mm)		D
1	S228-016	1750	402	3/4
2	S228-017	1750	402	3/4
3	S228-130	1914	540	1/4
4	S228-131	1914	540	1/4
5	S228-211	936	540	1/4
6	S228-330	904	520	1/4
7	S228-331	904	517	1/4
8	S228N-5507	1920	58	2/4
9	S228N-5509	1910	58	2/4
10	S228N-5554	981	80	2/4
11	S228N-5555	820	80	2/4
12	S228N-5556	902	60	1/4
13	S228N-5557	1910	80	2/4
14	S228N-5558	1910	80	2/4
15	S228N-5581	540	80	2/4
16	S228N-5583	424	80	2/4
17	S228-582	1738	29	1/4
18	S228-961	1840	456	1/4
19	dr-897x30	897	30	1/4
20	S228-3332	903	515	4/4
21	Lh-1810	1810	14	1/4

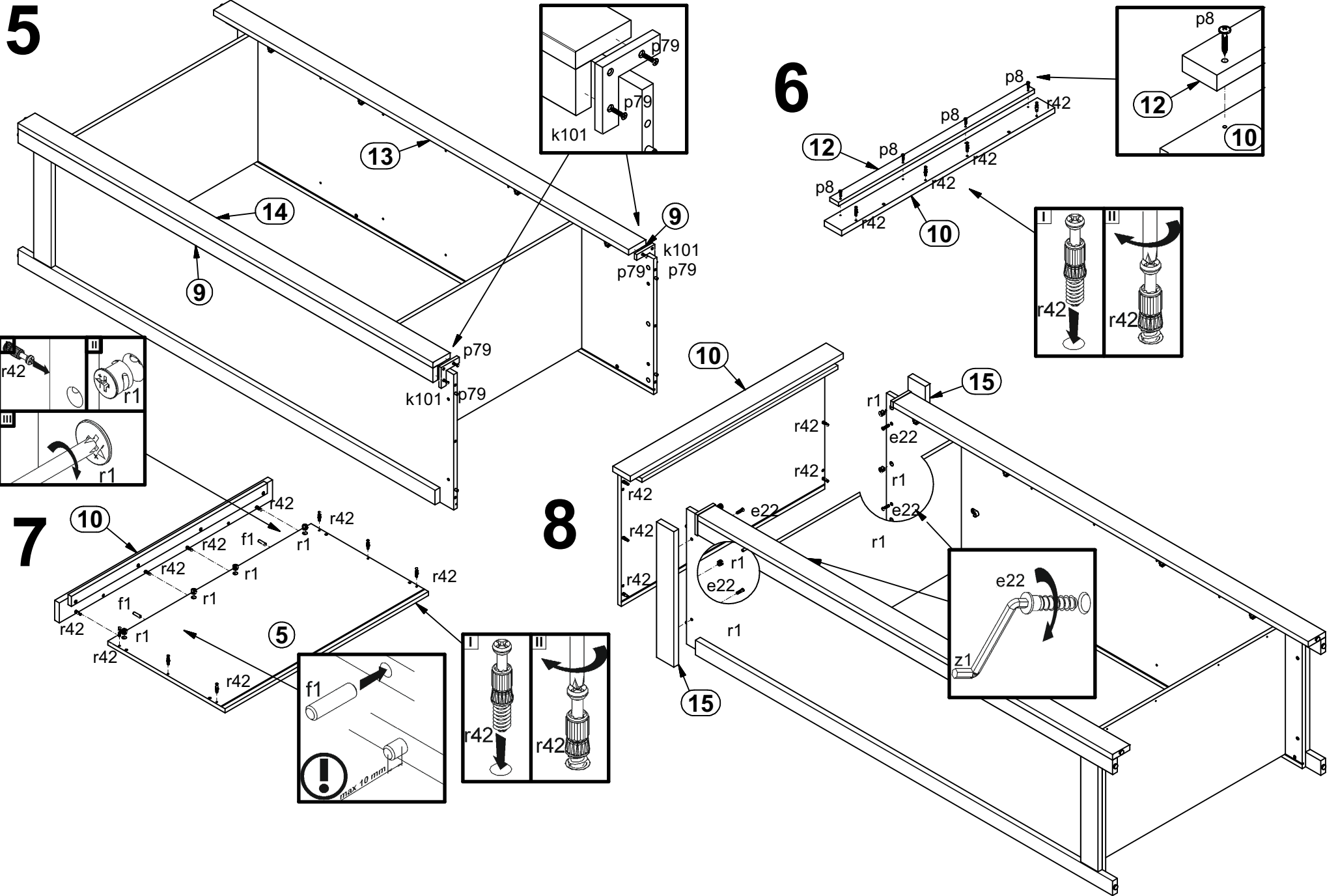


8x a132	4x a133	8x b43	2x c280v1	cm 0 1 2 3 4 5 6 7 8 9 10					
4x d36	8x e1 $\varnothing 7 \times 50$ mm	16x e2 $\varnothing 6,3 \times 13$ mm	24x e22 $\varnothing 7 \times 28$ mm	26x f1 $\varnothing 8 \times 30$ mm	16x f13 $\varnothing 8 \times 20$ mm	1x f35 $\varnothing 10 \times 50$ mm	6x k1	4x j30 M4x22 mm	
2x k101	20x l1	14x l2	1x n14i2 88x21x15x1,5	2x n158	4x o21 silikon	2x p1 $\varnothing 3,5 \times 13$ mm	4x p8 $\varnothing 4 \times 25$ mm	1x p17 $\varnothing 5 \times 60$ mm	
10x p38 $\varnothing 3,5 \times 16$ mm	24x p51 $\varnothing 3,5 \times 15$ mm	4x p79 $\varnothing 3,5 \times 20$ mm	20x r1 $\varnothing 1 \times 12$ mm #16	20x r42 20/11	16x s1	12x s2 $\varnothing 1 \times 6$	1x z1	16x d1 $\varnothing 5 \times 17$ mm	

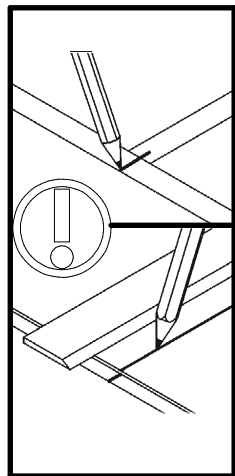
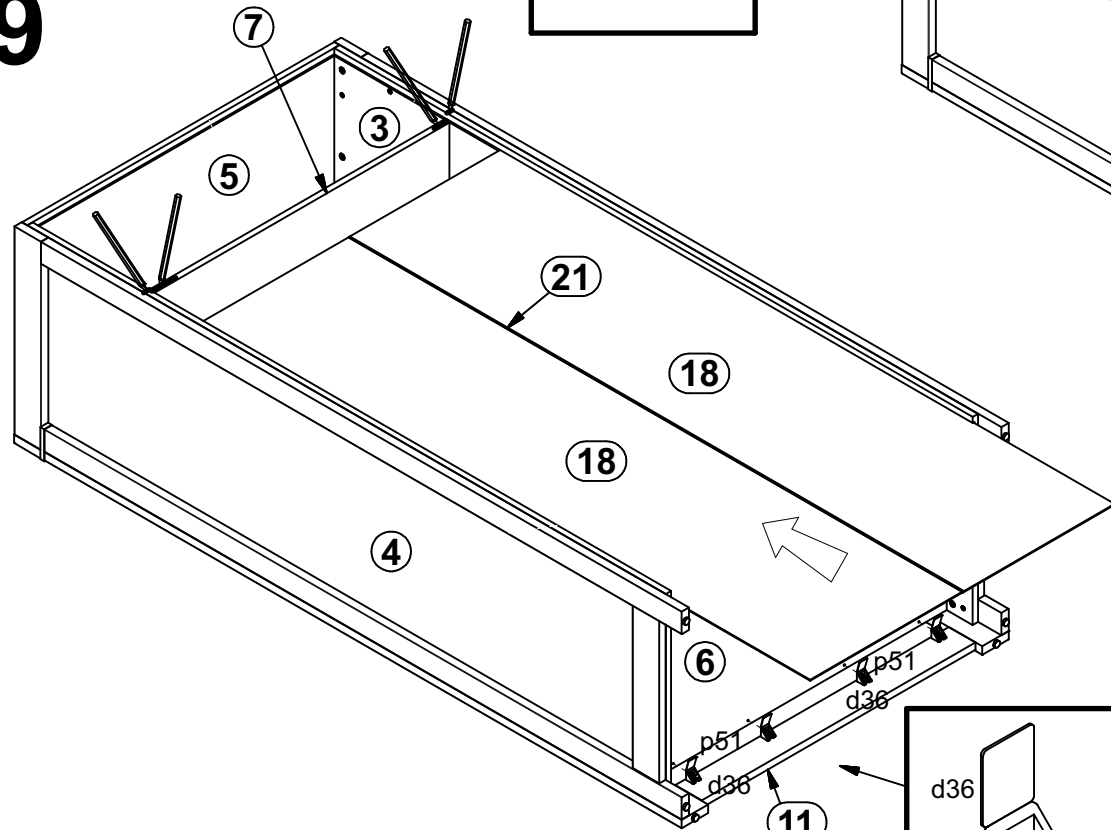


2 

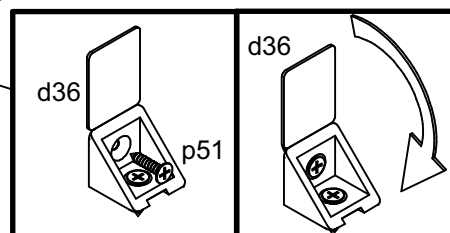
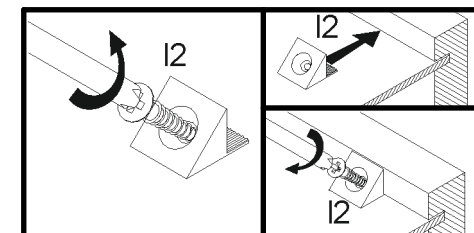
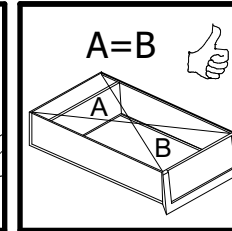
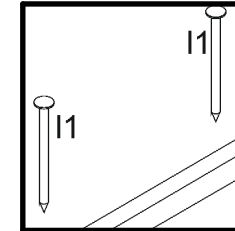
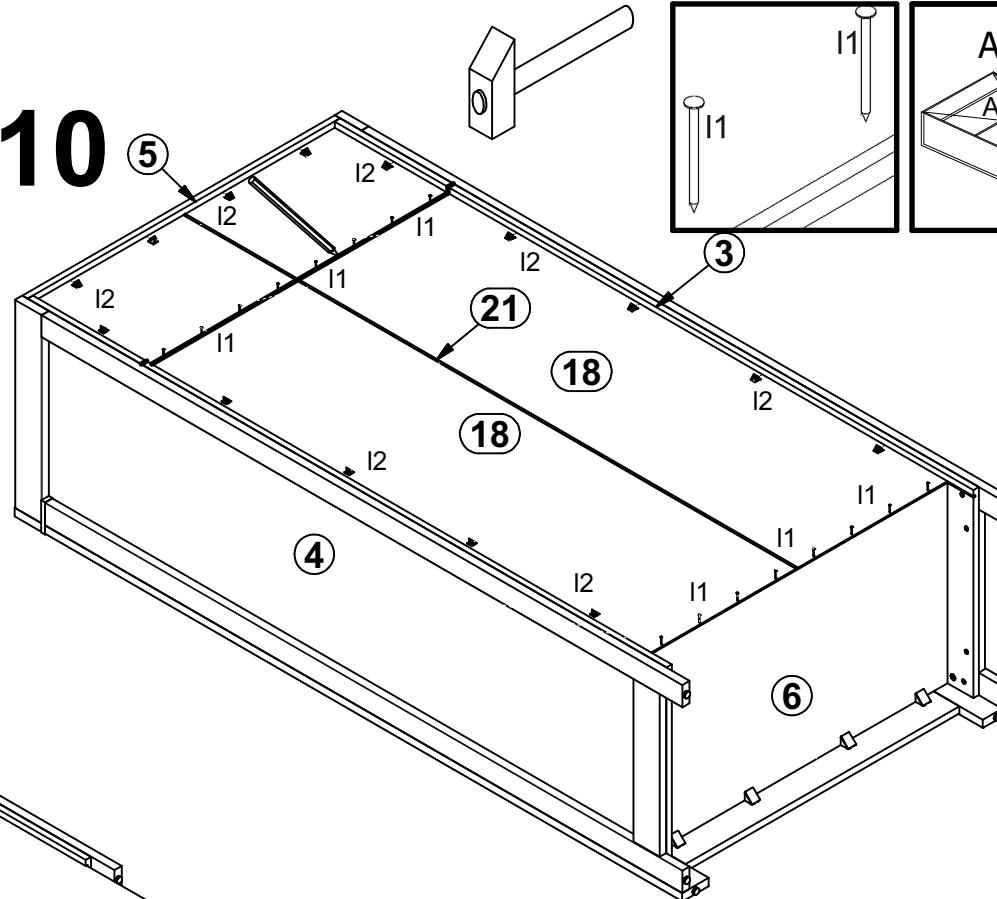




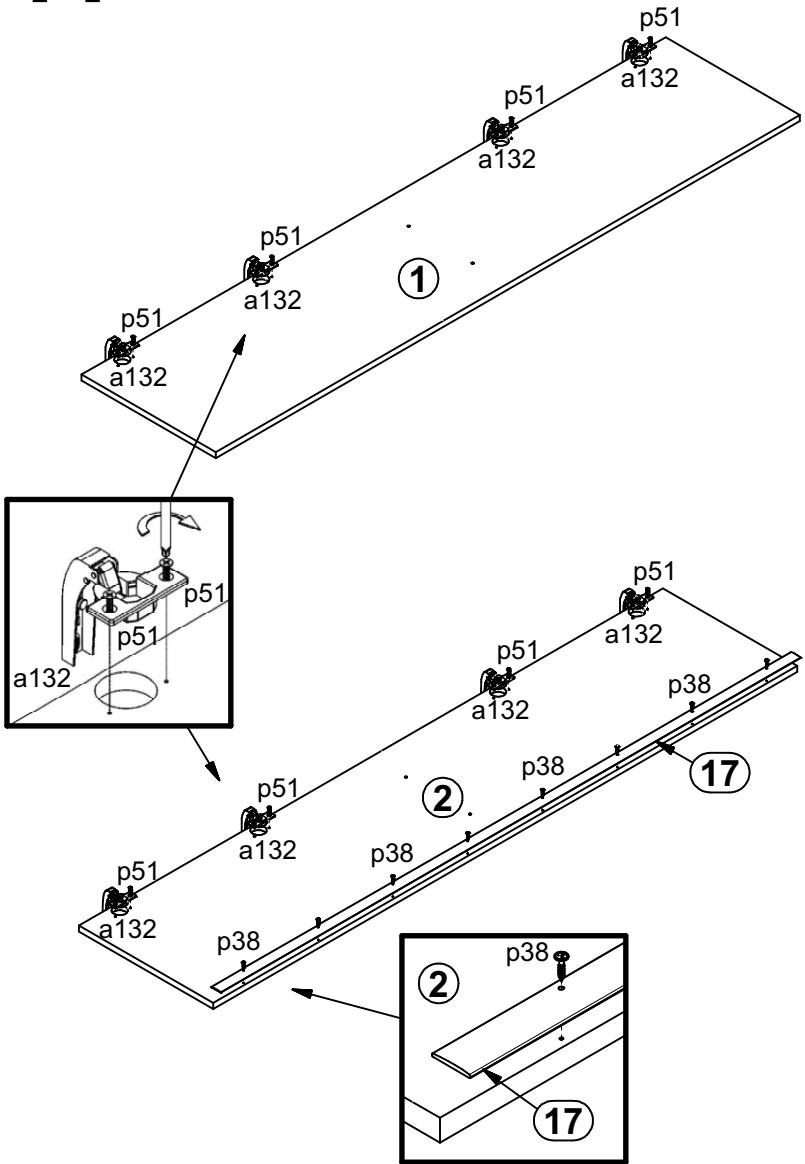
9



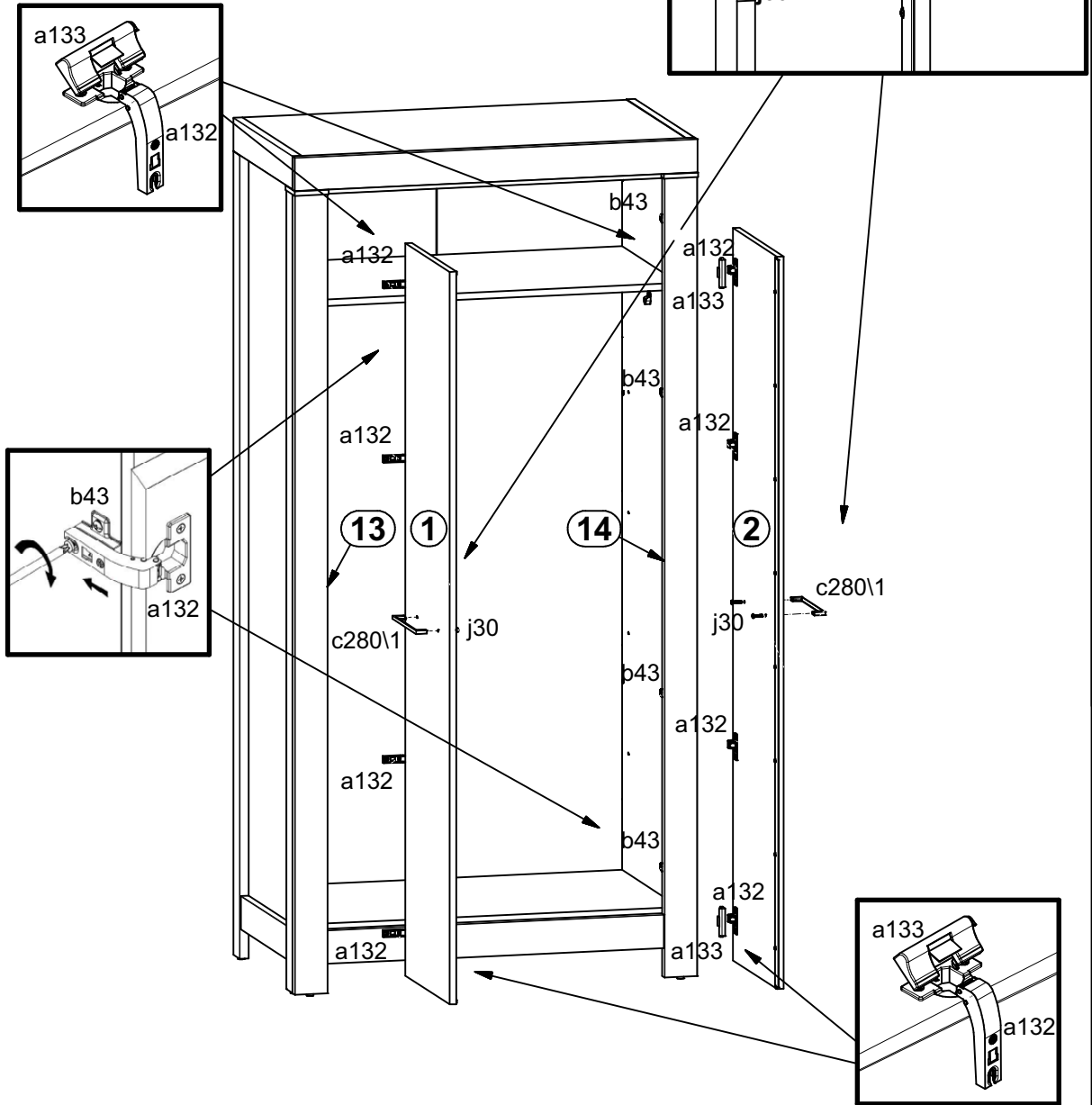
10



11



12



13

